



PARTS CATALOG

MERC 650

SERIAL NUMBER

650 (4 CYL.) 1765044 THRU 2119748

TABLE OF CONTENTS:

BOTTOM COWL AND SHIFT LINKAGE	34
CARBURETOR ASSEMBLY	24
CARBURETOR LINKAGE AND CHOKE SOLENOID	22
CLAMP AND SWIVEL BRACKET ASSEMBLY	38
COWLING AND FRONT COVER	6
CRANKSHAFT, PISTON AND CONNECTING ROD	32
CYLINDER BLOCK AND CRANKCASE ASSEMBLY	28
DRIVE SHAFT HOUSING ASSEMBLY	42
FLYWHEEL ASSEMBLY AND STATOR	8
FUEL PUMP AND FUEL LINE ASSEMBLY	26
GEAR HOUSING ASSEMBLY,COMPLETE	46
GEAR HOUSING ASSEMBLY,COMPLETE	50
MAGNETO ADAPTOR AND PILOT ASSEMBLY	10
MAGNETO ASSEMBLY (INTERNAL PARTS)	18
MAGNETO VERTICAL LINKAGE AND EXTERNAL PARTS	12
MISCELLANEOUS PARTS/ACCESSORIES	1
PARTS INDEX	56
REVERSE HOOK KIT	54
STARTER MOTOR, STARTER SOLENOID, RECTIFIER AND WIRING HARNES	16
TOP COWL AND SUPPORT BRACKETS	2

NOTE: Indented description indicate that these parts are included in preceeding assembly.

AR = As Required

NSS = Not Sold Separate

OPT = Optional

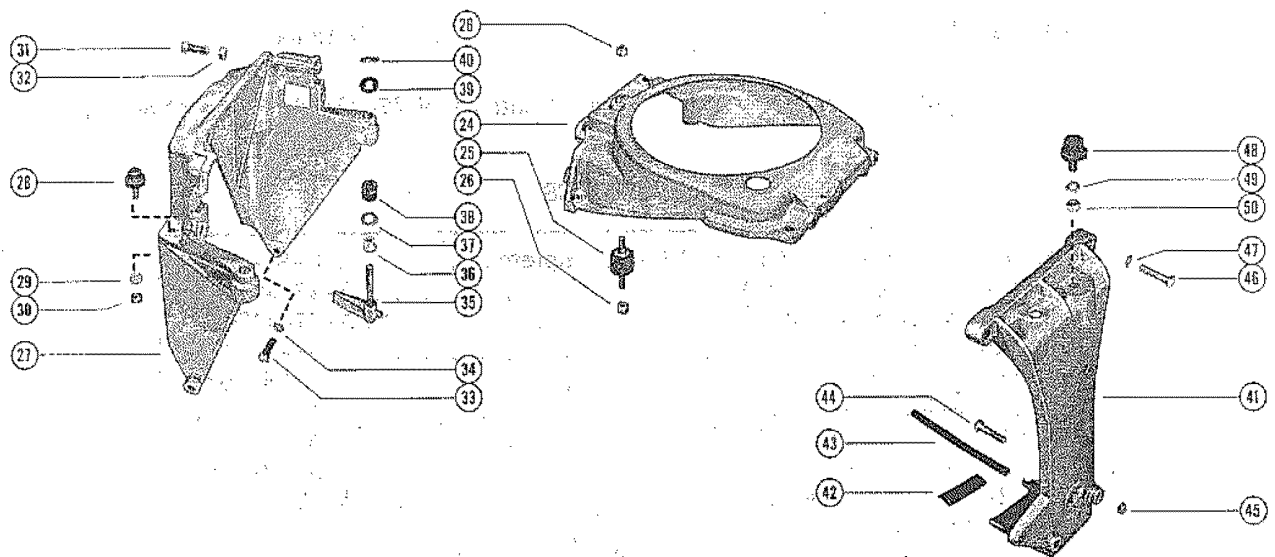
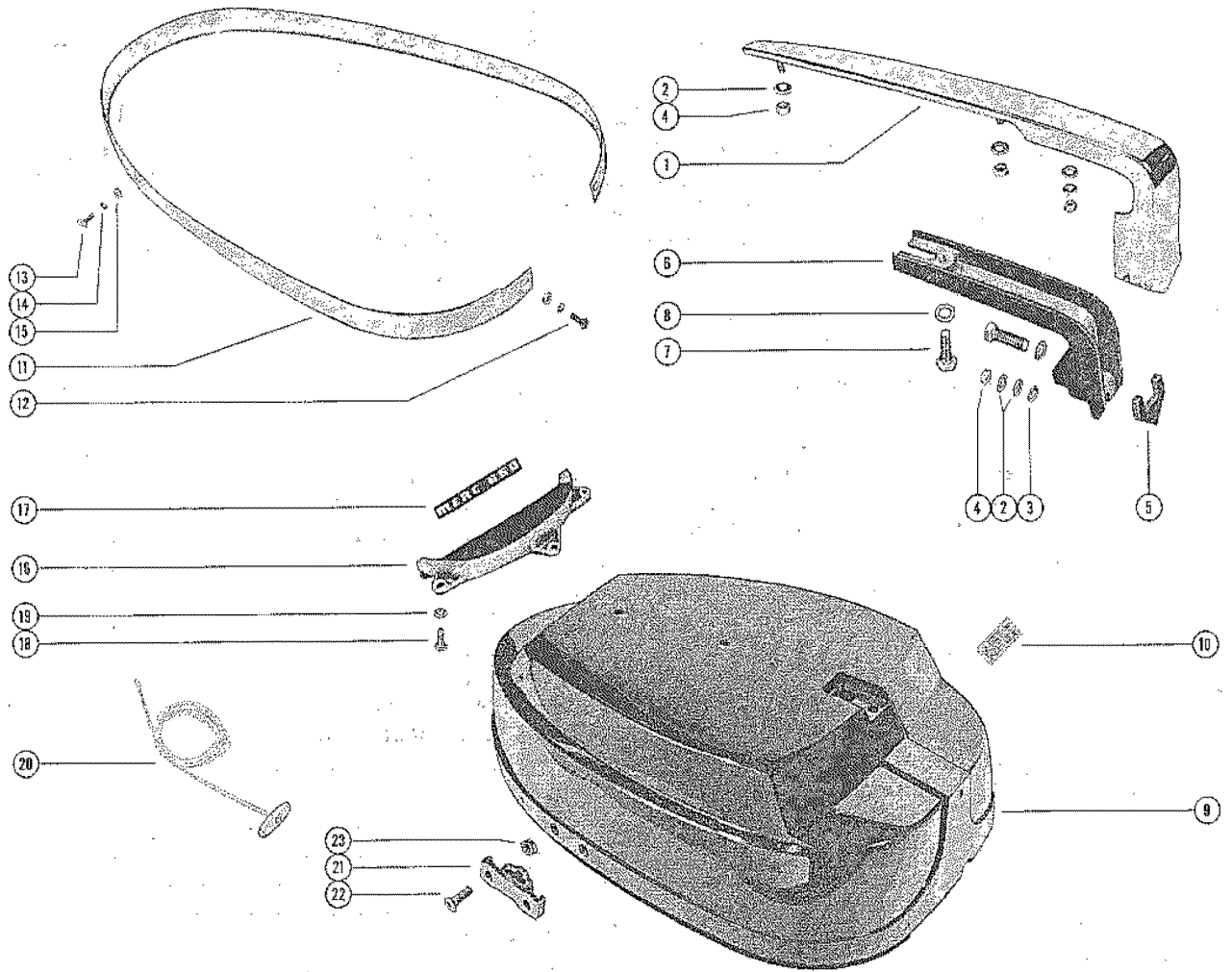
NS = Not Shown

THESE PARTS BOOKS/FICHE CARD ARE COPYRIGHTED AND MAY NOT BE DISTRIBUTED OR REPRODUCED IN ANY OTHER FORMAT BY ANYONE OTHER THAN MERCURY MARINE WITHOUT THE PRIOR WRITTEN CONSENT OF MERCURY MARINE.

MISCELLANEOUS PARTS/ACCESSORIES

REF. NO.	PART NO.	SYM.	QTY.	DESCRIPTION
-	90-38767		0	MERC 650E-2 AND 650E-3 PARTS LIST, COMPLETE
-	27-37414A1		0	GASKET SET (MOTOR OVERHAUL)
-	37-37844A1		0	DECAL SET (MERC 650E-2)
-	37-39272A1		0	DECAL SET (MERC 650E-3)
-	94-39392		0	SHIPPING CARTON (MOTOR)
-	94-29616		0	SHIPPING CARTON (FUEL TANK)
-	32-26239		0	BULK LINE (DISTRIBUTOR VENT TUBES) PER FOOT
-	32-26626		0	BULK LINE (JUMPER LEAD SLEEVES)
-	46-38505A2		0	EXTRA HEAVY DUTY WATER PUMP KIT
-			0	REVERSE HOOK KIT (LONG) (SEE PAGE 31)
-			0	REVERSE HOOK KIT (STANDARD) (SEE PAGE 31)

TOP COWL AND SUPPORT BRACKETS

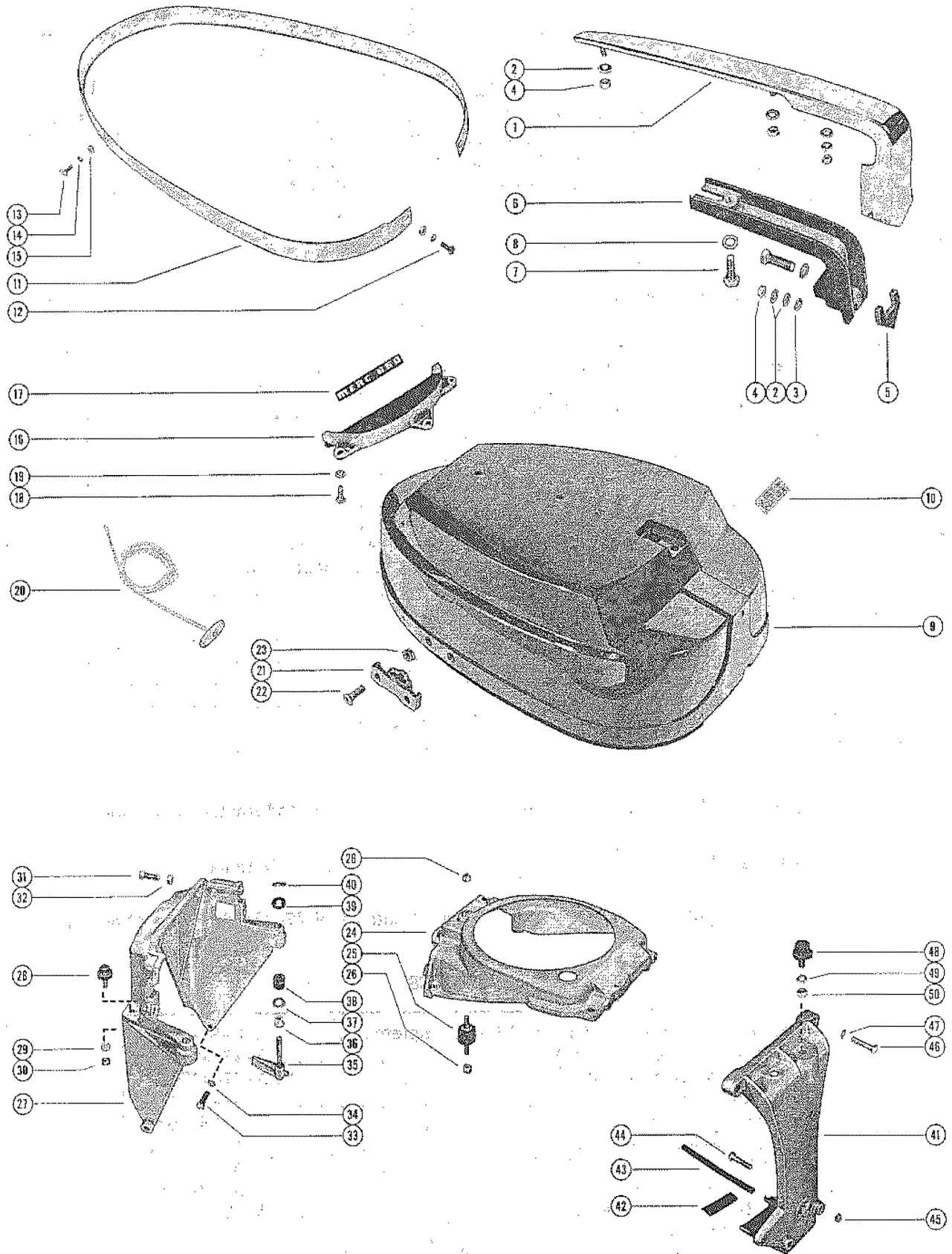


TOP COWL AND SUPPORT BRACKETS

REF. NO.	PART NO.	SYM.	QTY.	DESCRIPTION
1	37408		1,1	HANDLE, CHROME - TOP COWL
2	12-20533		6,6	WASHER, CHROME HANDLE TO INSIDE HANDLE STUD
3	12-21631		AR,AR	WASHER, CHROME HANDLE TO INSIDE STUDE (FRONT)
4	11-20361		4,4	NUT, CHROME HANDLE TO INSIDE HANDLE STUD
5	35496		1,1	PAD, BUMPER - TOP COWL HANDLE
6	37434		1,1	HANDLEM INSIDE - TOP COWL
7	10-24234		2,2	SCREW, HANDLE TO TOP COWL (1")
8	13-26993		2,2	LOCKWASER, HANDLE TO TOP COWL SCREW
9	2114-2455		1,1	COWL, TOP
10	N.S.S.		0	DECAL, TOP COWL - MANUAL STARTING INSTRUCTIONS
11	37410A1		1,1	TRIM MOULDING ASSEMBLY, TOP COWL
	37410A1		,1	TRIM MOULDING ASSEMBLY, TOP COWL
12	10-29227		2,2	SCREW, BRASS - MOULDING TO TOP COWL
13	10-29226		2,2	SCREW, DECORATIVE - MOULDING TO TOP COWL
14	13-26995		4,4	LOCKWASHER, MOULDING FASTENING SCREW
15	11-26419		4,4	NUT, MOULDING FASTENING SCREW
16	37569		1,1	SHIELD, TOP COWL - REAR
17	N.S.S.		0	DECAL, TOP COWL SHIELD - "MERC 650"
	N.S.S.		,#	DECAL, TOP COWL SHIELD - "MERC 650"
18	10-37370		3,3	SCREW, SHIELD TO TOP COWL (5/8")
19	13-37371		3,3	LOCKWASER, SHIELD SCRE
20	50-37901		1,1	ROPE, STARTER (FOR MANUAL STARTING ONLY)
21	37411		2,2	BRACKET, COWL LATCH - TOP COWL FASTENING
22	10-37560		4,4	SCREW, COWL LATCH BRACKET TO TOP COWL
23	11-37556		4,4	NUT, COWL HATCH BRACKET SCREW
24	37409		1,1	FRAME, TOP COWL SUPPORT
25	37639		3,3	MOUNT, RUBBER - TOP COWL FRAME
26	11-20361		6,6	NUT, RUBBER MOUNT TO TOP COWL FRAME
27	37458		1,1	BRACKET, TOP COWL SUPPORT - REAR
28	31014		2,2	MOUNT, RUBBER - REAR SUPPORT BRACKET
-	12-20346		2,2	WASHER, RUBBER MOUNT STUD
29	13-26992		2,2	LOCKWASHER, RUBBER MOUNT TO REAR SUPPORT BRACKET
30	11-20088		2,2	NUT, RUBBER MOUNT TO REAR BRACKET
31	10-26065		4,4	SCREW, REAR SUPPORT BRACKET TO TOP COWL FRAME (1")
32	11-29250		4,4	NUT, REAR SUPORT BRACKET SCREW
33	10-37558		2,2	SCREW, REAR SUPPORT BRACKET TO BOTTOM COWL (1 1/4")
34	13-26993		2,2	LOCKWASHER, REAR SUPPORT BRACKET SCREW
35	37412		2,2	LEVER, CLAMPING - TOP COWL MOUNTING
36	23-26819		2,2	BUSHING, NYLON - CLAMPING LEVER
37	12-38006		2,2	WASHER, CLAMPING LEVER
38	23-31293		2,2	BUSHING, RUBBER - CLAMPING LEVER

CONTINUED ON NEXT PAGE ➡

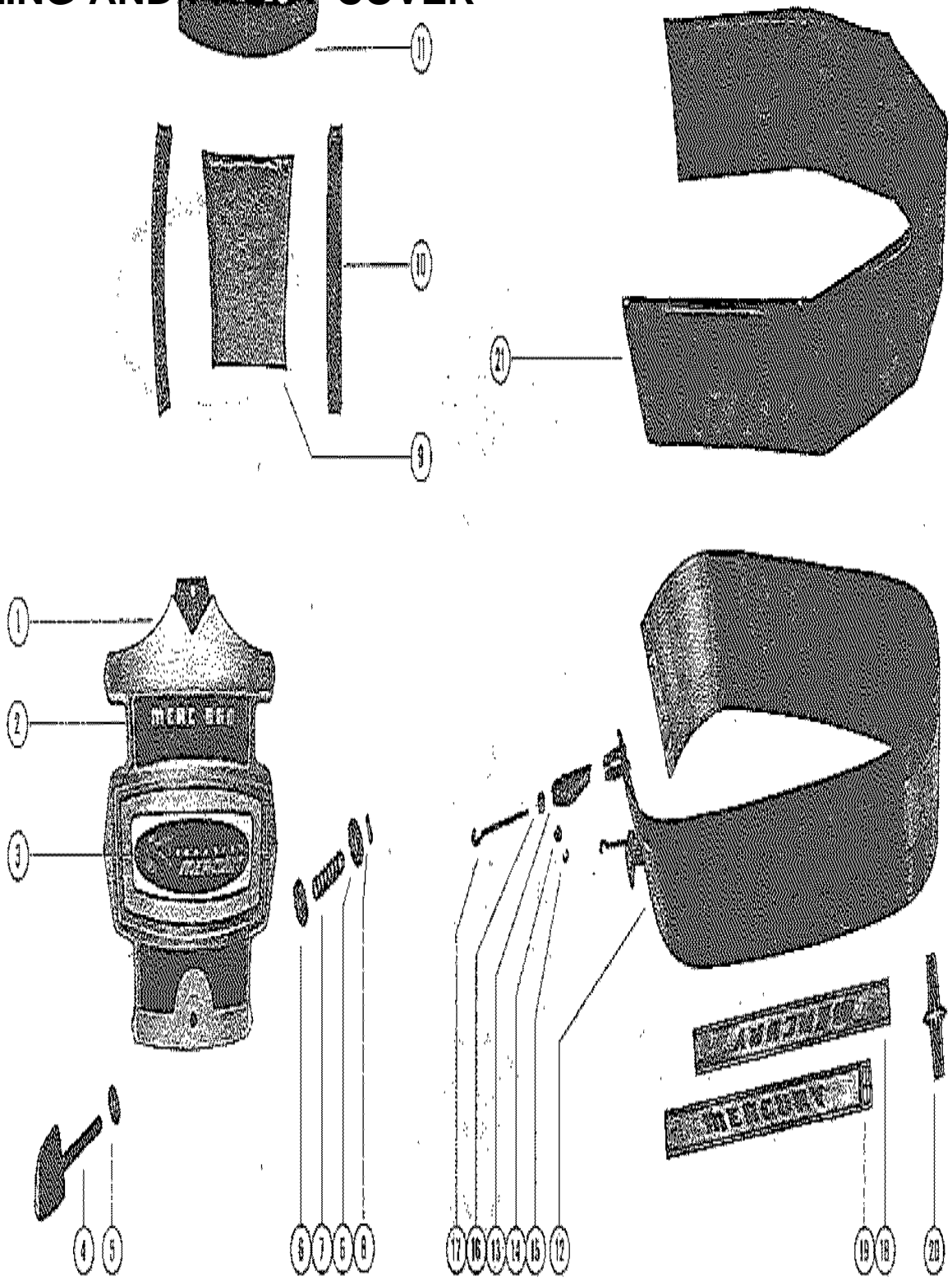
TOP COWL AND SUPPORT BRACKETS



TOP COWL AND SUPPORT BRACKETS

REF. NO.	PART NO.	SYM.	QTY.	DESCRIPTION
39	53-30428		2,2	FASTENER, CLAMPING LEVER
40	17-29077		2,2	PIN, ROLL - CLAMPING LEVER
41	37416A1		1,1	BRACKET ASSEMBLY, TOP COWL SUPPORT - FRONT
42	37903		1,1	FLANGE, RUBBER - FRONT TOP COWL SUPPORT BRACKET
43	32-37670		1,1	HOSE, FRONT SUPPORT BRACKET TO BOTTOM COWL
44	10-22040		2,2	SCREW, FRONT SUPPORT BRACKET TO BOTTOM COWL (1 1/2")
45	11-29250		2,2	NUT, FRONT SUPPORT BRACKET SCREW
46	10-20362		2,2	SCREW, FRONT BRACKET TO TOP COWL FRAME (1 1/2")
47	13-26993		2,2	LOCKWASHER, FRONT SUPPORT BRACKET SCREW
48	37640		1,1	MOUNT, RUBBER - FRONT SUPPORT BRACKET
49	13-26993		1,1	LOCKWASHER, RUBBER MOUNT TO FRONT SUPPORT BRACKET
50	11-22053		1,1	NUT, RUBBER MOUNT TO FRONT SUPPORT BRACKET

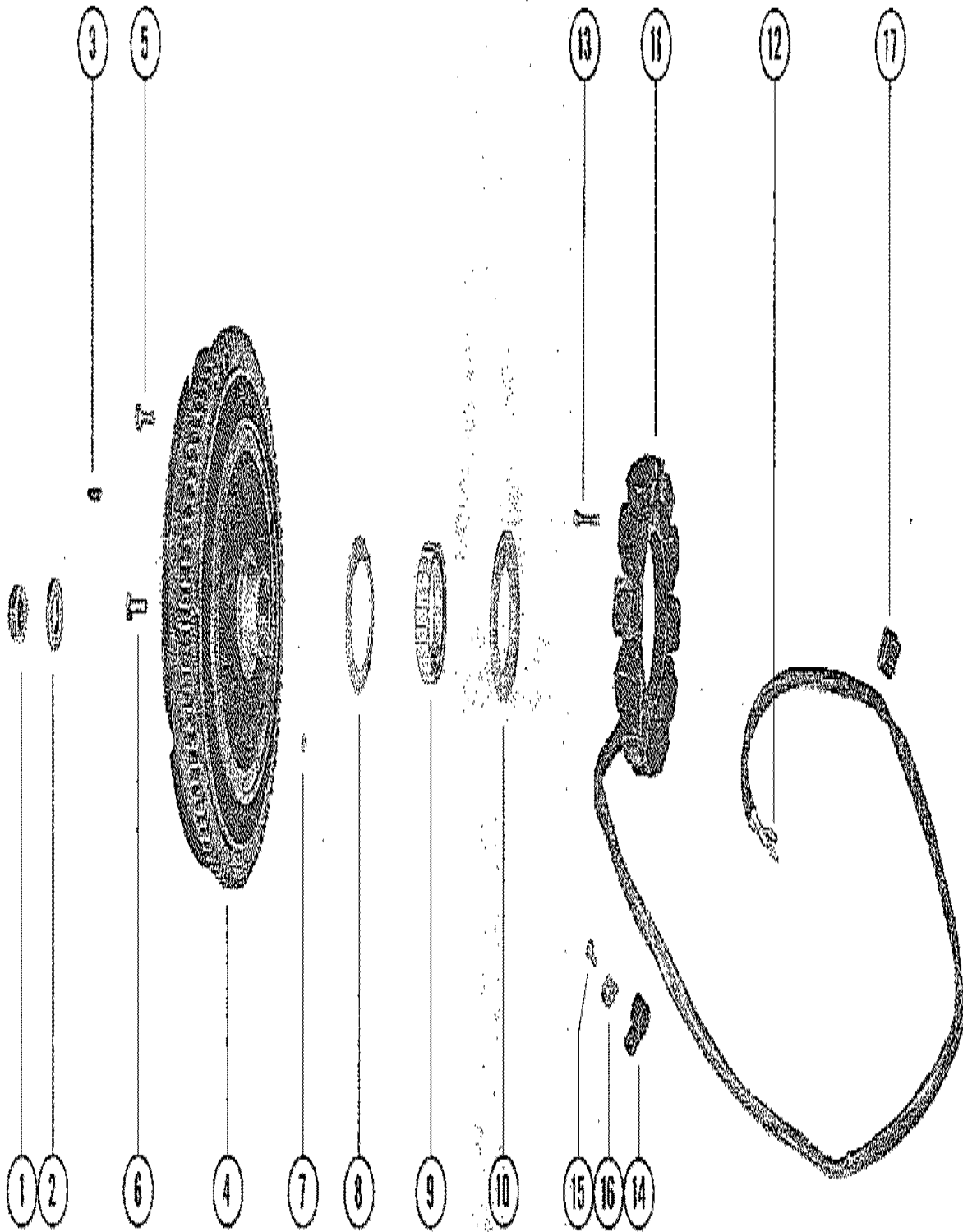
COWLING AND FRONT COVER



COWLING AND FRONT COVER

REF. NO.	PART NO.	SYM.	QTY.	DESCRIPTION
1	2104-2334A4		1,1	COWL FRONT COVER ASSEMBLY
	2104-2654A1		1,	COWL FRONT COVER ASSEMBLY
2	N.S.S.		,*	DECAL, COWL FRONT COVER - "MERC 650" (NOT AS SHOWN)
	N.S.S.		,#	DECAL, COWL FRONT COVER - "MERC 650"
3	N.S.S.		,*	DECAL, FROTN COVER EMBLEM
	N.S.S.		,#	DECAL, FRONT COVER EMBLEM
4	32362		,1	KNOB, COWL FRONT COVER FASTENING
5	12-30771		2,2	WASHER, COVER FASTENING KNOB (RUBBER)
6	12-27129		2,2	WASHER, COVER FASTENING KNOB (STEEL)
7	24-32271		1,1	SPRING, TENSION - COVER FASTENING KNOB
8	17-29077		1,1	ROLL PIN, TENSION SPRING TO KNOB
9	38674		1,1	BLANKET, SOUND ABSORBING - FRONT COVER
10	31095		2,2	STRIP, SOUND - LOWER SECTION
11	35552		1,1	SEAL, SOUND - UPPER SECTION
12	2119-2507A2		1,	WRAP AROUND COWL ASSEMBLY
	2119-2657A2		,1	WRAP AROUND COWL ASSEMBLY
13	30412		2,	HANDLE, COWL LATCH
	38961		,2	HANDLE, COWL LATCH
14	17-21057		4,4	PIN, HINGE - HANDLE TO COWL LATCH
15	53-21058		4,4	"E" RING, HANDLE TO COWL LATCH HINGE PIN
16	30414		2,	SWIVEL, COWL LATCH
	38964		,2	SWIVEL, COWL LATCH
17	30413		2,2	HOOK, COWL LATCH FASTENING
18	N.S.S.		,*	DECAL, WRAP AROUND COWL - STARBOARD -NOT AS SHOWN
19	N.S.S.		,*	DECAL, WRAP AROUND COWL - PORT -NOT AS SHOWN
18	N.S.S.		,#	DECAL, WRAP AROUND COWL - STARBOARD
19	N.S.S.		,#	DECAL, WRAP AROUND COWL - PORT
20	N.S.S.		,*	DECAL, WRAP AROUND COWL - REAR
21	31935		1,1	BLANKET, SOUND ABSORBING - WRAP AROUND COWL
-	92-25234		1,1	GLUE, ADHESIVE - SOUND BLANKET FASTENING

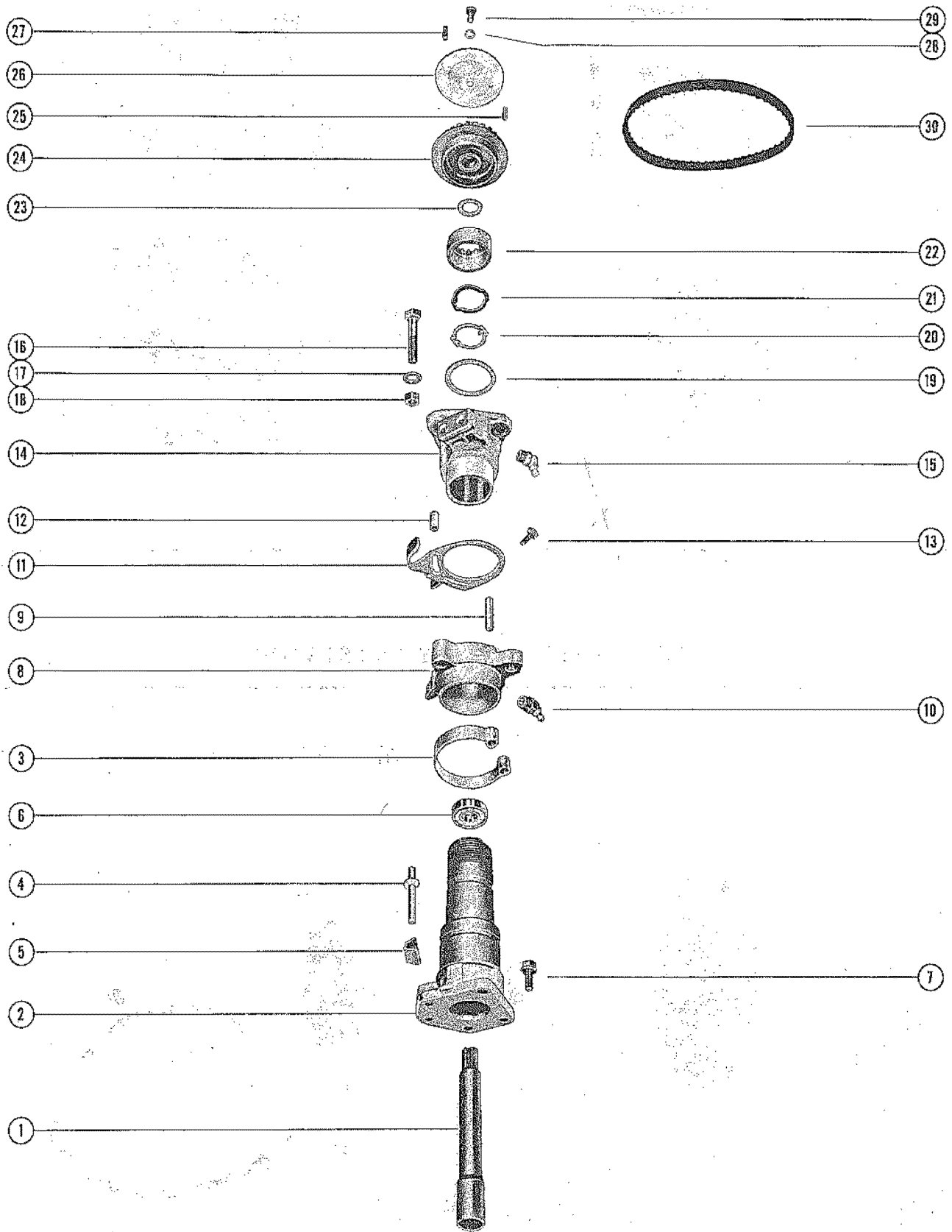
FLYWHEEL ASSEMBLY AND STATOR



FLYWHEEL ASSEMBLY AND STATOR

REF. NO.	PART NO.	SYM.	QTY.	DESCRIPTION
1	11-22339		1,1	NUT, FLYWHEEL
2	12-33001		1,1	WASHER, FLYWHEEL NUT
3	28-30250		1,1	KEY, FLYWHEEL DRIVE
4	225-2498A2		1,1	FLYWHEEL ASSEMBLY, COMPLETE FOR MERC 650S AND 650SL ENGINES, ORDER PART NO. A-225-2498A4
5	10-32156		8,8	SCREW, FLEXIBLE PLATE TO FLY FLYWHEEL
6	10-32417		8,8	SCREW, PLATE AND HUB TO FLEXIBLE PLATE
7	17-26618		1,1	PIN, DOWEL - PULLEY TO FLYWHEEL
8	29788		1,1	FLANGE, FLYWHEEL PULLEY
9	30306		1,1	PULLEY, FLYWHEEL
10	29787		1,1	HUB, FLYWHEEL PULLEY
11	398-2171		1,1	STATOR, ALTERNATOR
12	30050		2,2	TERMINAL, STATOR LEAD WIRE
13	10-32614		4,4	SCREW, STATOR TO UPPER END CAP
14	54-26550		1,1	CLIP, STATOR LEAD FASTENING (5/16")
15	10-30009		1,1	SCREW, STATOR LEAD CLIP FASTENING (#10)
16	22789		1,1	"D" WASHER, CLIP FASTENING SCREW
17	54-22783		1,1	"S" CLIP, STATOR LEAD TO BOTTOM COWL

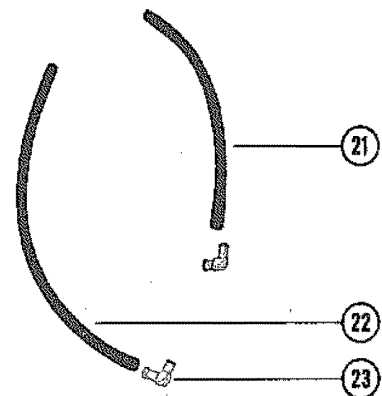
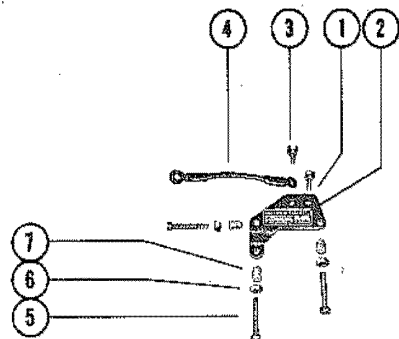
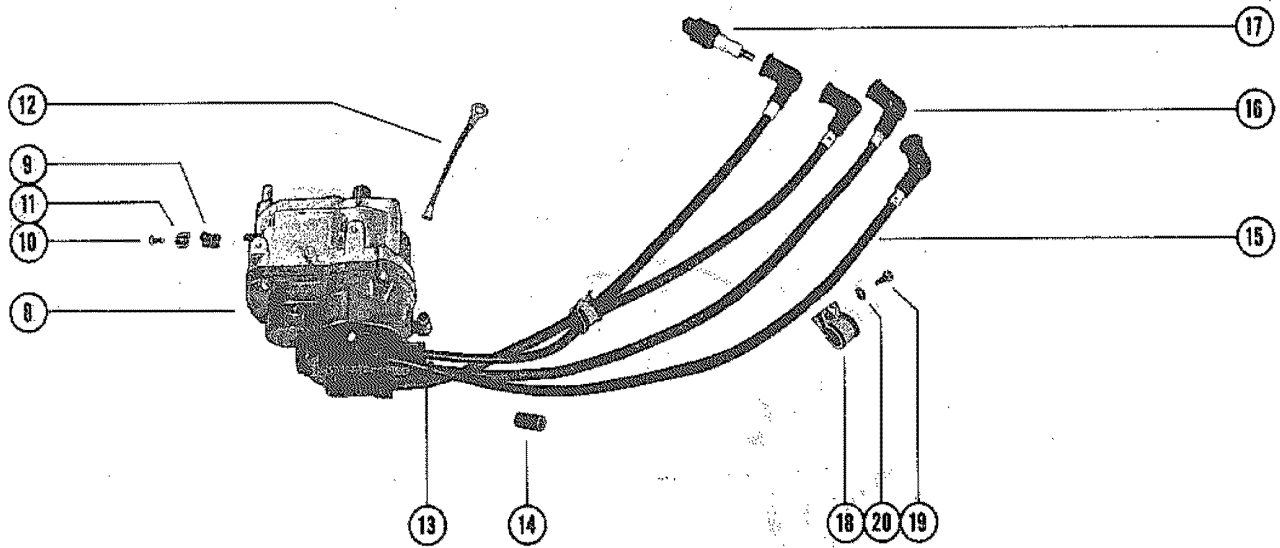
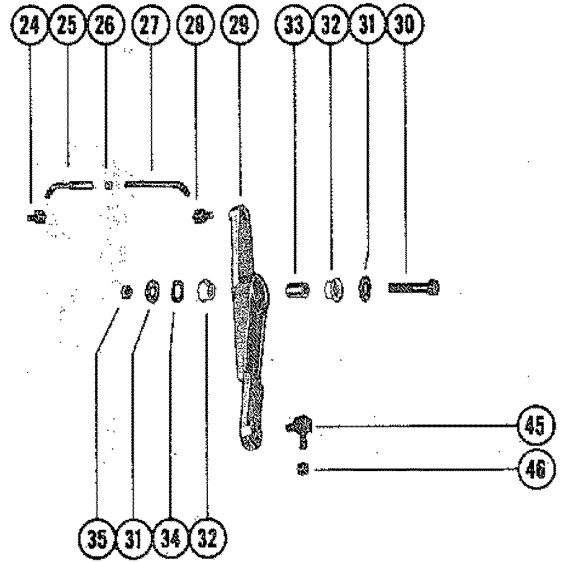
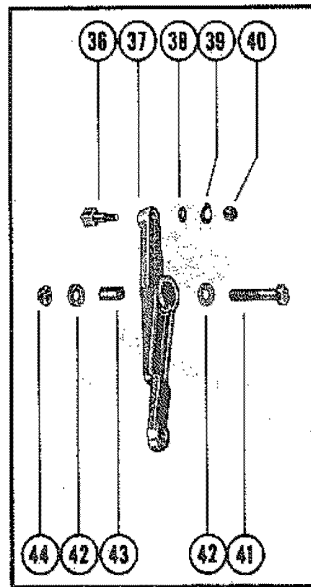
MAGNETO ADAPTOR AND PILOT ASSEMBLY



MAGNETO ADAPTOR AND PILOT ASSEMBLY

REF. NO.	PART NO.	SYM.	QTY.	DESCRIPTION
1	45-33007		1,1	SHAFT, DRIVE - MAGNETO
2	30434A1		1,	MAGNETO PILOT ASSEMBLY
	39561A1		,1	MAGNETO PILOT ASSEMBLY
3	24-27944		1,1	SPRING, HORSESHOE - MAGNETO PILOT
4	17-27962		1,1	PIN, ANCHOR - HORSESHOE SPRING TO PILOT
5	33020		1,1	STOP, SPARK ADVANCE - MAGNETO PILOT
6	30-20066		1,1	BEARING, BALL - MAGNETO PILOT
7	10-30110		4,4	SCREW, PILOT ASSEMBLY TO MAGNETO
8	35610A1		1,1	ECONOMIZER COLLAR AND PIN ASSEMBLY
9	17-27961		1,1	PIN, ECONOMIZER COLLAR - SPRING RETAINER
11	33147A1		1,1	THROTTLE ACTUATOR ASSEMBLY
10	22-25094		1,1	FITTING, GREASE - ECONOMIZER COLLAR
12	23-26602		1,1	BUSHING, NYLON - THROTTLE ACTUATOR
14	30408		1,1	ADAPTOR, MAGNETO
15	22-25094		1,1	FITTING, GREASE - MAGNETO ADAPTOR
16	10-22040		3,3	SCREW, MAGNETO ADAPTOR AND PILOT TO CRANKCASE
17	12-20084		3,3	WASHER, MAGNETO ADAPTOR AND PILOT SCREW
18	11-20083		3,3	NUT, MAGNETO ADAPTOR AND PILOT FASTENING SCREW
19	12-27939		1,1	WASHER, MAGNETO PILOT
20	14-27960		1,1	TAB WASHER, ADAPTOR CAP FASTENING
21	13-27959		1,1	WASHER, WAVE - MAGNETO BALL BEARING TENSION
22	27955		1,1	CAP, MAGNETO ADAPTOR AND PILOT FASTENING
23	23-29909		1,1	SPACER, DRIVEN PULLEY
24	29906A1		1,1	DRIVEN PULLEY ASSEMBLY
25	17-29908		1,1	PIN, ROLL - FLANGE LOCATING
26	29907		1,1	FLANGE, DRIVEN PULLEY
27	28-29910		1,1	KEY, MAGNETO DRIVING
28	13-26996		1,1	LOCKWASHER, PULLEY CLAMPING SCREW
29	10-29911		1,1	SCREW, PULLEY CLAMPING
30	20140		1,1	BELT, TIMING

MAGNETO VERTICAL LINKAGE AND EXTERNAL PARTS

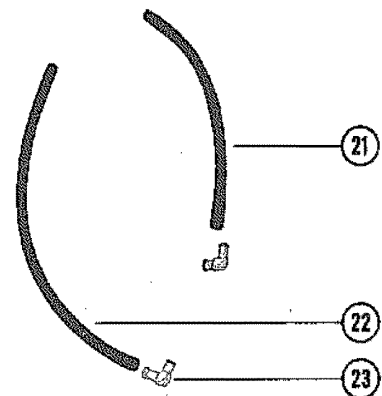
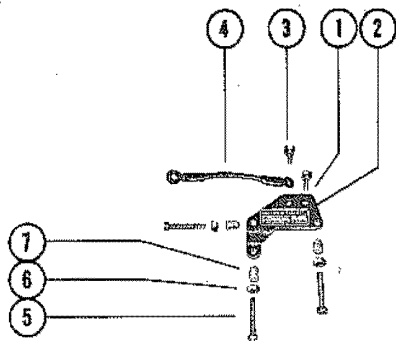
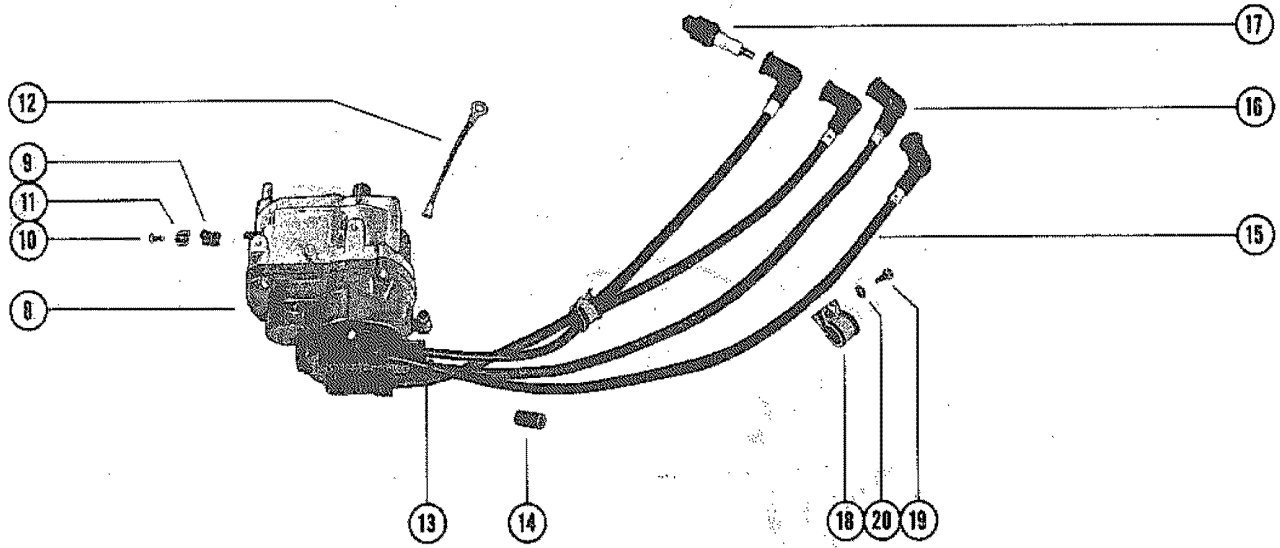
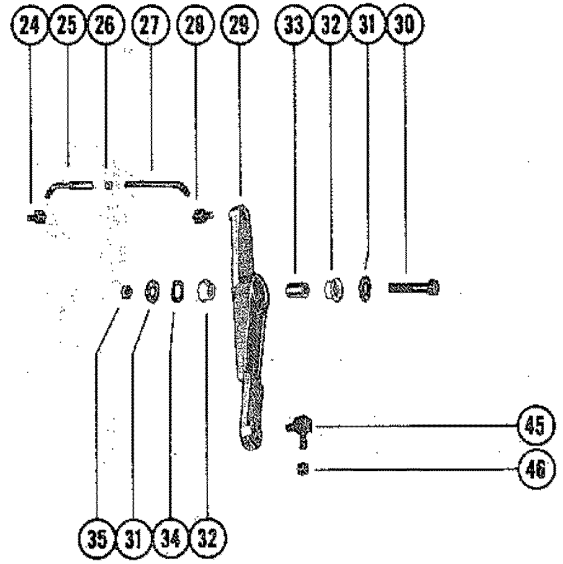
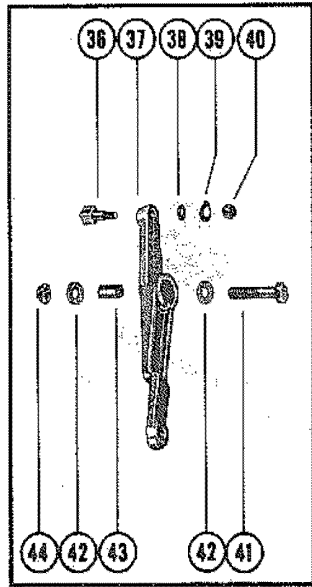


MAGNETO VERTICAL LINKAGE AND EXTERNAL PARTS

REF. NO.	PART NO.	SYM.	QTY.	DESCRIPTION
1	29277		1,1	PLATE, THROTTLE STOP
2	N.S.S.		*	DECAL, THROTTLE STOP PLATE (STOP ADJUSTMENTS)
	N.S.S.		,#	DECAL, THROTTLE STOP PLATE (STOP ADJUSTMENTS)
3	10-29282		2,2	SCREW, THROTTLE STOP PLATE TO ADAPTOR (3/4")
4	37747		1,1	GROUND STRAP, STOP BRACKET TO FRONT SUPPORT BRACKET
5	10-24933		3,3	SCREW, ADJUSTING - THROTTLE STOP
6	11-20088		3,3	NUT, THROTTLE STOP ADJUSTING SCREW
7	26852		3,3	CAP, NYLON - ADJUSTING SCREW
8	394-2271A2		1,1	MAGNETO ASSEMBLY, COMPLETE 4D-4)
9	54-25231		2,2	CLIP, MERCURY SWITCH AND HARNESS LEADS TO MAGNETO
10	10-20401		2,2	SCREW, LEAD CLIP TO MAGNETO
11	22789		2,2	"D"WASHER, CLIP FASTENING SCREW
12	394-1134A1		1,1	GROUND STRAP ASSEMBLY, MAGNETO TO CRANKCASE
13	25-25429		4,4	"O" RING, HIGH TENSION LEAD CABLE TO END CAP COVER
14	32-26527		4,4	SLEEVE, SPARK PLUG LEAD (1 1/2")
	32-37694		2,2	SLEEVE, SPARK PLUG LEAD (3")
15	37629A9		4,4	CABLE ASSEMBLY, HIGH TENSION LEAD - SPARK PLUG (33")
16	20119		4,4	PROTECTOR, SPARK PLUG
17	33-30578		4,4	SPARK PLUG
18	54-28700		2,2	CLIP, HIGH TENSION LEAD CABLE FASTENING
19	10-37646		1,1	SCREW, HIGH TENSION CLIP TO CRANKCASE (1/2")
20	12-20583		1,1	WASHER, HIGH TENSION CLIP SCREW
21	32-29164		1,1	HOSE, VENT - DISTRIBUTOR ELBOW (10 1/2")
22	32-37672		1,1	HOSE, VENT - DISTRIBUTOR TO ELBOW (17")
23	22-31521		2,2	ELBOW, VENT HOSE TO BOTTOM COWL
24	27947		1,1	SWIVEL, LINKAGE - ECONOMIZER COLLAR
25	25996A1		1,1	SWIVEL AND LINK ROD ASSEMBLY
26	11-25168		1,1	NUT, UPPER LINK ROD ADJUSTING
27	37588		1,1	ROD, LINK - UPPER
28	27947		1,	SWIVEL, UPPER LINK ROD TO THROTTLE CONTROL LEVER SERIAL 00000000-01845849
29	37442		1,	LEVER, THROTTLE CONTROL SERIAL 00000000-01845849
30	10-37559		1,	SCREW, THROTTLE LEVER TO EXHAUST COVER (1 3/4") SERIAL 00000000-01845849
31	12-29395		2,	WASHER, THROTTLE CONTROL LEVER SCREW SERIAL 00000000-01845849
32	23-37643		2,	BUSHING, NYLON - THROTTLE CONTROL LEVER SCREW SERIAL 00000000-01845849
33	23-29529		1,	BUSHING, STEEL - THROTTLE CONTROL LEVER SCREW SERIAL 00000000-01845849
34	13-37642		1,	WASHER, WAVE - THROTTLE CONTROL LEVER SCREW SERIAL 00000000-01845849

CONTINUED ON NEXT PAGE ➡

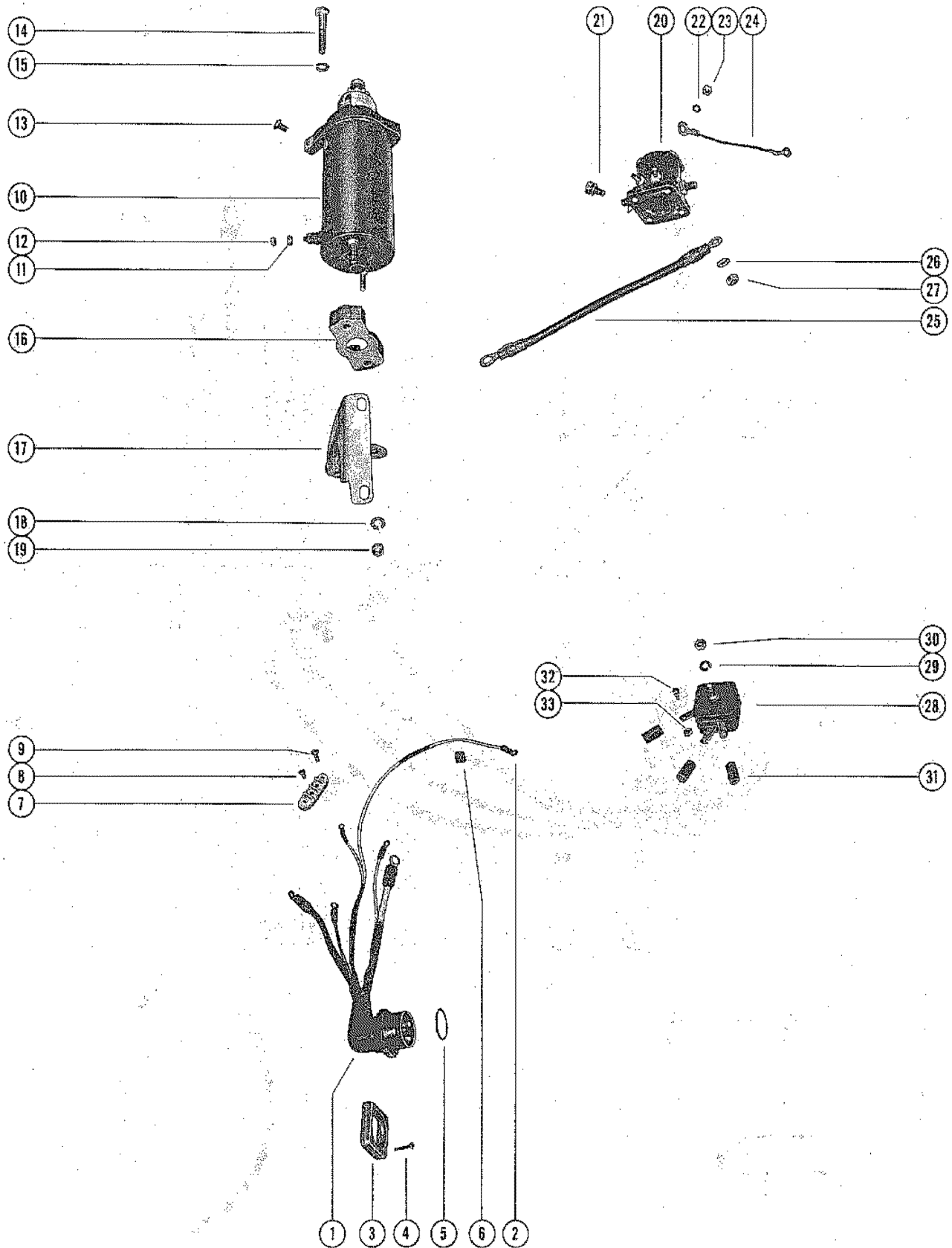
MAGNETO VERTICAL LINKAGE AND EXTERNAL PARTS



MAGNETO VERTICAL LINKAGE AND EXTERNAL PARTS

REF. NO.	PART NO.	SYM.	QTY.	DESCRIPTION
35	11-20509		1,	NUT, THROTTLE CONTROL LEVER SCREW SERIAL 0000000-01845849
36	27948		1,1	SWIVEL, UPPER LINK ROD TO THROTTLE CONTROL LEVER SERIAL 01845850-09999999
37	38701		1,1	LEVER, THROTTLE CONTROL SERIAL 01845850-09999999
38	12-29245		1,1	WASHER, THROTTLE CONTROL LEVER SWIVEL SERIAL 01845850-09999999
39	13-25806		1,1	WASHER, WAVE - THROTTLE CONTROL LEVER SWIVEL SERIAL 01845850-09999999
40	11-20361		1,1	NUT, UPPER LINK ROD TO THROTTLE CONTROL LEVER SERIAL 01845850-09999999
41	10-37559		1,1	SCREW, THROTTLE LEVER TO EXHAUST COVER (1 3/4") SERIAL 01845850-09999999
42	12-29395		2,2	WASHER, THROTTLE CONTROL LEVER SCREW SERIAL 01845850-09999999
43	23-38994		1,1	BUSHING, STEEL - THROTTLE CONTROL LEVER SCREW SERIAL 01845850-09999999
44	11-20509		1,1	NUT, THROTTLE CONTROL LEVER SCREW SERIAL 01845850-09999999
45	37587		1,1	SWIVEL, LOWER - THROTTLE CONTROL LEVER TO THROTTLE CABLE
46	11-20361		1,1	NUT, THROTTLE CABLE TO LOWER SWIVEL

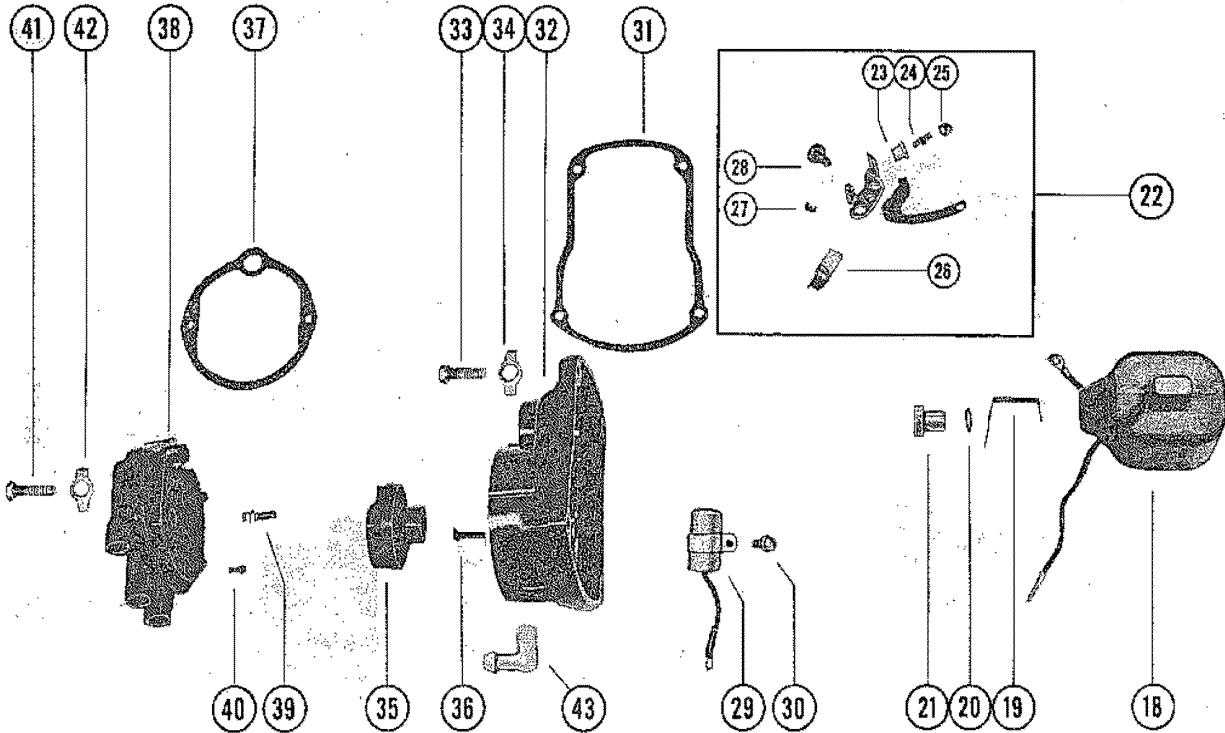
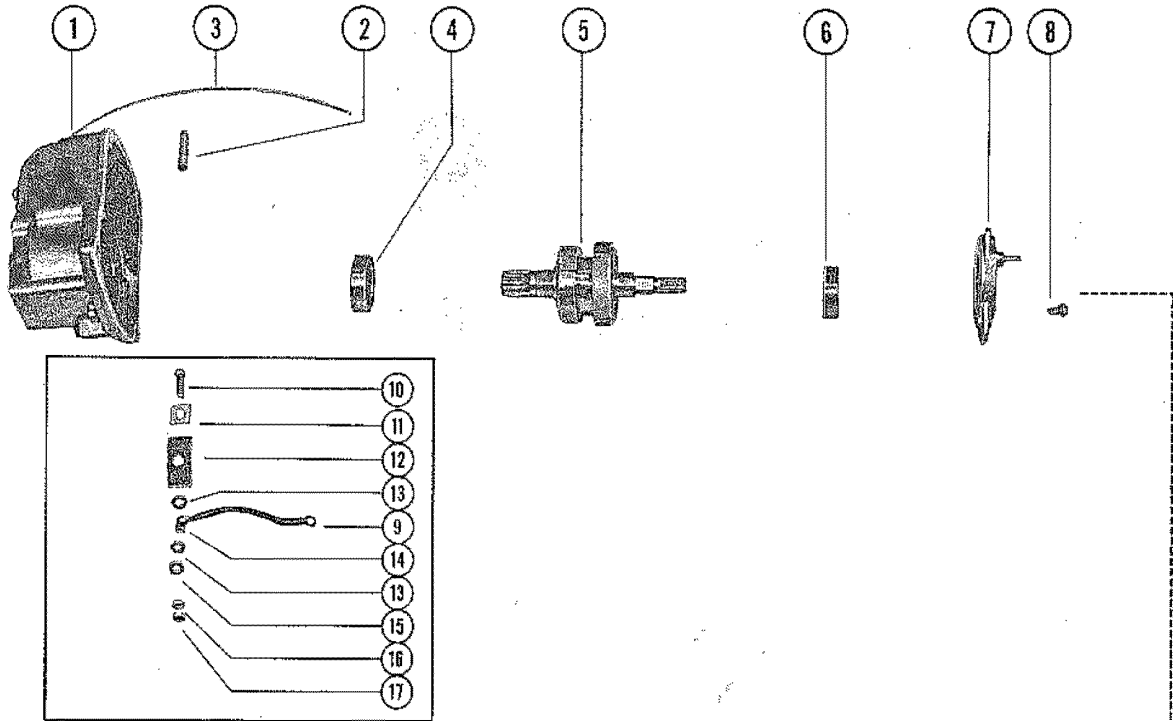
STARTER MOTOR, STARTER SOLENOID, RECTIFIER AND WIRING HARNESS



STARTER MOTOR, STARTER SOLENOID, RECTIFIER AND WIRING HARNES

REF. NO.	PART NO.	SYM.	QTY.	DESCRIPTION
1	37628		1,1	WIRING HARNESS, INTERNAL
2	30050		AR,AR	TERMINAL, HARNESS AND SWITCH LEADS
3	26079		1,1	PLATE, WIRING HARNESS TO BOTTOM COWL
4	10-26128		4,4	SCREW, WIRING HARNESS AND PLATE TO BOTTOM COWL
5	24-28975		1,1	SPRING, GARTER - INTERNAL WIRINGG HARNESS
6	54-22783		2,2	"S" CLIP, RECTIFIER HARNESS LEAD TO BOTTOM COWL
7	30212		1,1	BLOCK, TERMINAL - EXHAUST COVER
8	10-30663		1,1	SCREW, HARNESS LEADS TO TERMINAL BLOCK
9	10-33152		2,2	SCREW, TERMINAL BLOCK TO EXHAUST COVER
10	50-37274A1		1,1	STARTER MOTOR ASSEMBLY
11	13-26992		2,2	LOCKWASER, STARTER MOTOR TERMINAL
12	11-20890		2,2	NUT, STARTER MOTOR TERMINAL
13	10-29197		1,1	SCREW, WIRING HARNESS LEAD TO STARTER MOTOR
14	10-22698		2,2	SCREW, STARTER MOTOR TO CRANKCASE FLANGE
15	13-26993		2,2	LOCKWASHER, STARTER MOTOR FASTENING SCREW
16	37331		1,1	PLATE, SPACER - STARTER MOTOR TO BRACKET
17	38747		1,1	BRACKET, SUPPORT - STARTER MOTOR
18	13-24669		2,2	LOCKWASHER, THRU BOLT - BRACKET TO STARTER MOTOR
19	11-20890		2,2	NUT, THRU BOLT - BRACKET TO STARTER MOTOR
20	32445		1,1	SOLENOID, STARTER
21	10-31208		2,2	SCREW, SOLENOID TO STARTER MOTOR
22	13-26996		2,2	LOCKWASER, SOLENOID TERMINAL (#10)
23	11-20645		2,2	NUT, SOLENOID TERMINAL (#10)
24	28016A1		1,1	GROUND STRAP ASSY, SOLENOID TO STARTER MOTOR
25	25596		1,1	CABLE, WIRE - SOLENOID TO STARTER MOTOR
26	13-26993		2,2	LOCKWASER, SOLENOID TERMINAL (5/16)
27	11-F2008		2,2	NUT, SOLENOID TERMINAL (5/16)
28	32970		1,1	RECTIFIER ASSEMBLY
29	13-26993		1,1	LOCKWASHER, RECTIFIER MOUNTIN SCREW
30	11-21929		1,1	NUT, RECTIFIER MOUNTING SCREW
31	32-28373		3,3	SLEEVE, RUBBER - RECTIFIER HARNESS LEAD
32	10-29852		3,3	SCREW, HARNESS AND STATOR LEADS TO RECTIFIER
33	11-29488		3,3	NUT, HARNESS AND STATOR LEAD FASTENING SCREW

MAGNETO ASSEMBLY (INTERNAL PARTS)

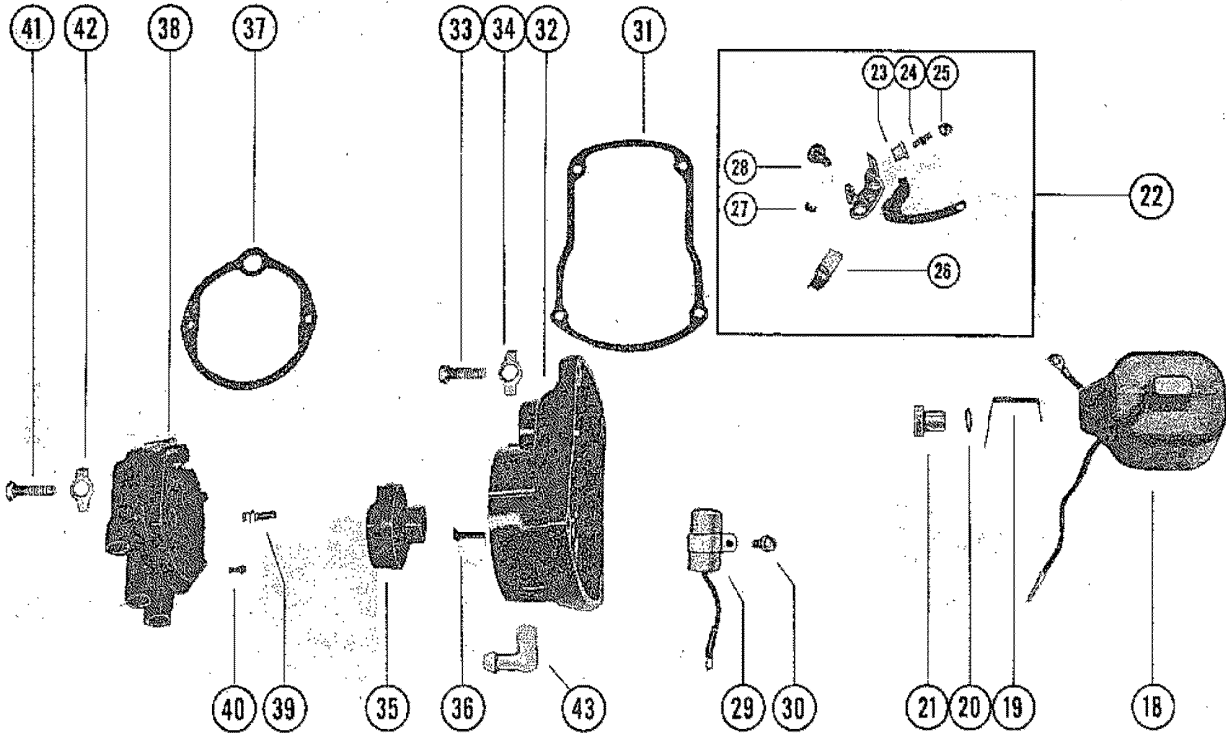
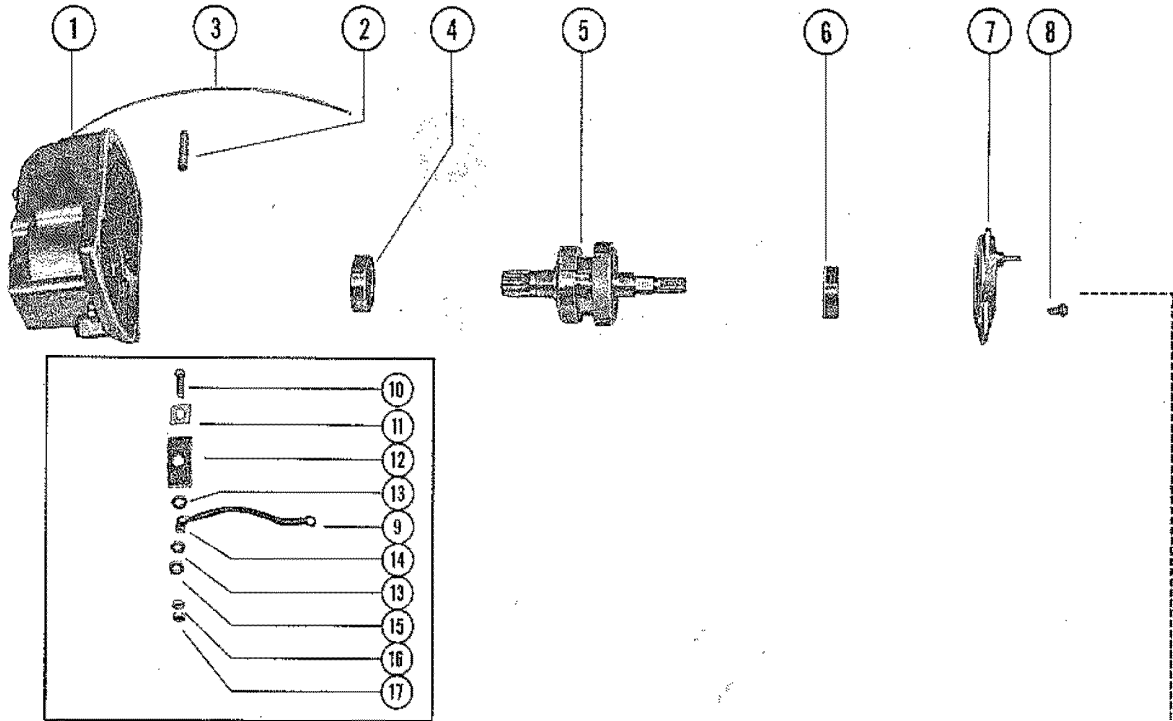


MAGNETO ASSEMBLY (INTERNAL PARTS)

REF. NO.	PART NO.	SYM.	QTY.	DESCRIPTION
-	394-2271A2		1,1	MAGNETO ASSEMBLY, COMPLETE
1	394-1570		1,1	FRAME, MAGNETO HOUSING
2	10-25510		2,2	SCREW, SET - COIL BRIDGE
3	394-1051		1,1	LOCKWIRE, COIL BRIDGE SET SCREW
4	30-24998		1,1	BEARING, BALL (DRIVE END)
5	394-1067		1,1	MAGNETIC ROTOR AND SHAFT
6	30-24997		1,1	BEARING, BALL (OPPOSITE DRIVE END)
7	394-1637		1,1	SUPPORT, BALL BEARING
8	10-25509		3,3	SCREW AND LOCKWASHER, SUPPORT TO FRAME
9	394-1053A1		1,1	WIRE ASSEMBLY, PRIMARY GROUND LEAD
10	10-29182		1,1	SCREW, PRIMARY GROUND (#10)
11	12-30267		1,1	WASHER, PRIMARY GROUND TERMINAL
12	394-1579		1,1	INSULATOR, PRIMARY GROUND TERMINAL
13	12-29099		1,1	WASHER, INSULATING-PRIMARY GROUND SCREW
14	23-29101		1,1	BUSHING, INSULATING-HOUSING FRAME
15	12-26014		1,1	WASHER, PRIMARY GROUND SCREW
16	11-24656		1,1	NUT, LOCK-PRIMARY GROUND SCREW
17	11-20645		1,1	NUT, PRIMARY GROUND SCREW
18	394-1128A1		1,1	COIL ASSEMBLY
19	394-1050		1,1	CLIP, COIL-HIGH TENSION
20	13-23836		1,1	LOCKWASHER, COIL TERMINAL
21	394-1131		1,1	NUT, COIL CLIP FASTENING
22	393-1504A6		1,1	BREAKER ASSEMBLY
23	393-1586		1,1	GROMMET, PLASTIC-BREAKER BRACKET
24	16-29230		1,1	STUD, PRIMARY LEAD AND TENSION SPRING
25	11-29236		1,1	NUT, PRIMARY LEAD FASTENING
26	394-1106A1		1,1	HOLDER AND CAM WICK ASSEMBLY
27	53-21058		1,1	"E" RING, BREAKER TO PIVOT PIN
28	10-20597		1,1	SCREW, BREAKER HOLDER TO HOUSING
29	394-1130		1,1	CONDENSER
30	10-25509		1,1	SCREW AND LOCKWASHER, CONDENSER FASTENING
31	27-29166		1,1	GASKET, MAGNETO COVER
32	394-1577		1,1	COVER, MAGNETO
33	10-29418		4,4	SCREW, COVER TO FRAME
34	14-29157		4,4	TAB WASHER, COVER FASTENING SCREW
35	394-2602A1		1,1	MAGNETO ROTOR ASSEMBLY
36	394-1110		1,1	CLIP, SPRING
37	27-25725		1,1	GASKET, END CAP COVER
38	394-1561A2		1,1	END CAP COVER ASSEMBLY

CONTINUED ON NEXT PAGE ➡

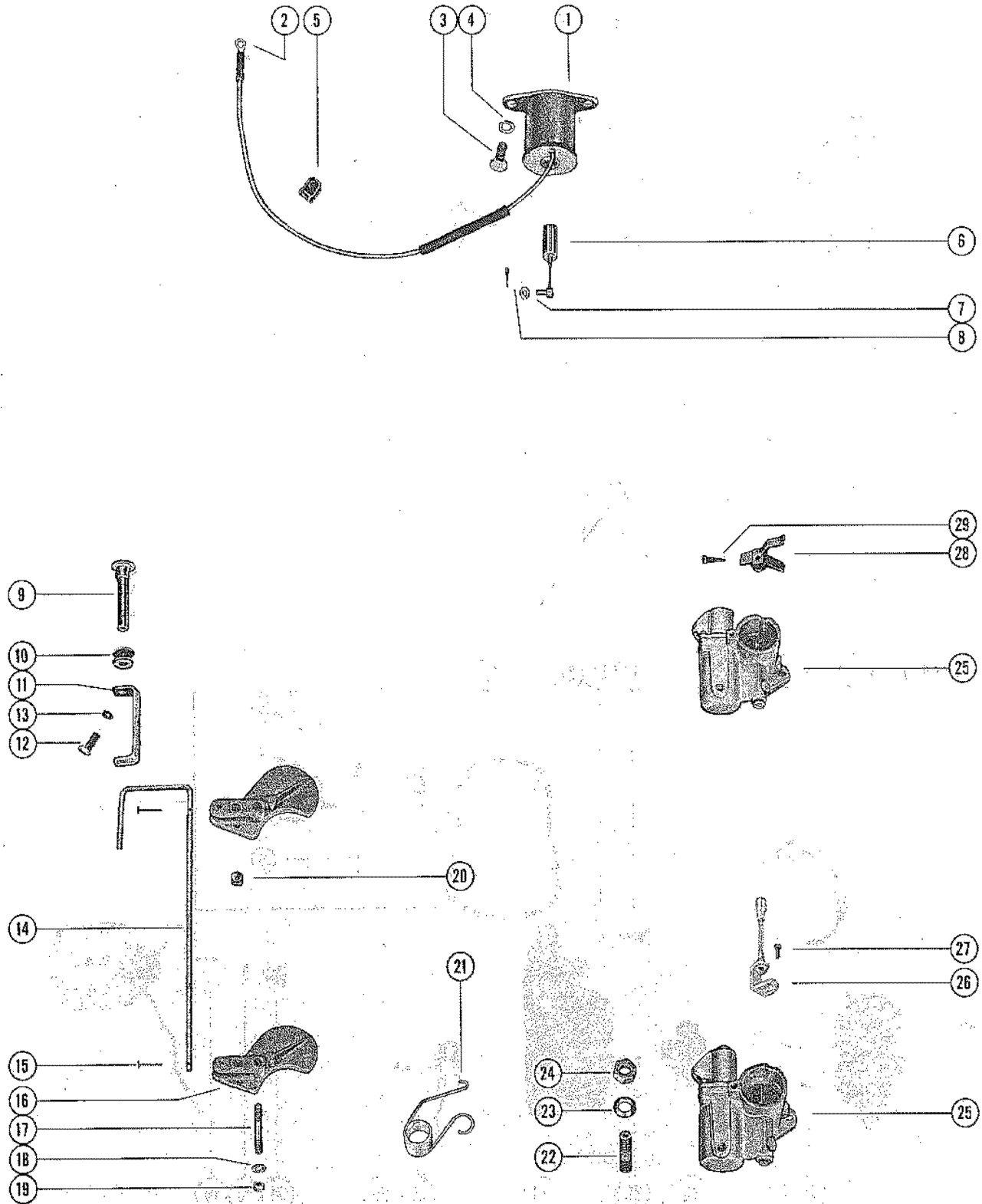
MAGNETO ASSEMBLY (INTERNAL PARTS)



MAGNETO ASSEMBLY (INTERNAL PARTS)

REF. NO.	PART NO.	SYM.	QTY.	DESCRIPTION
39	394-1056A1		1,1	BRUSH AND SPRING ASSEMBLY
40	10-25517		4,4	SCREW, HIGH TENSION CABLE FASTENING
41	10-29418		2,2	SCREW, END CAP COVER FASTENING SCREW
42	14-29157		2,2	TAB WASHER, COVER FASTENING SCREW
43	22-25885		1,1	ELBOW, PLASTIC-MAGNETO COVER VENT

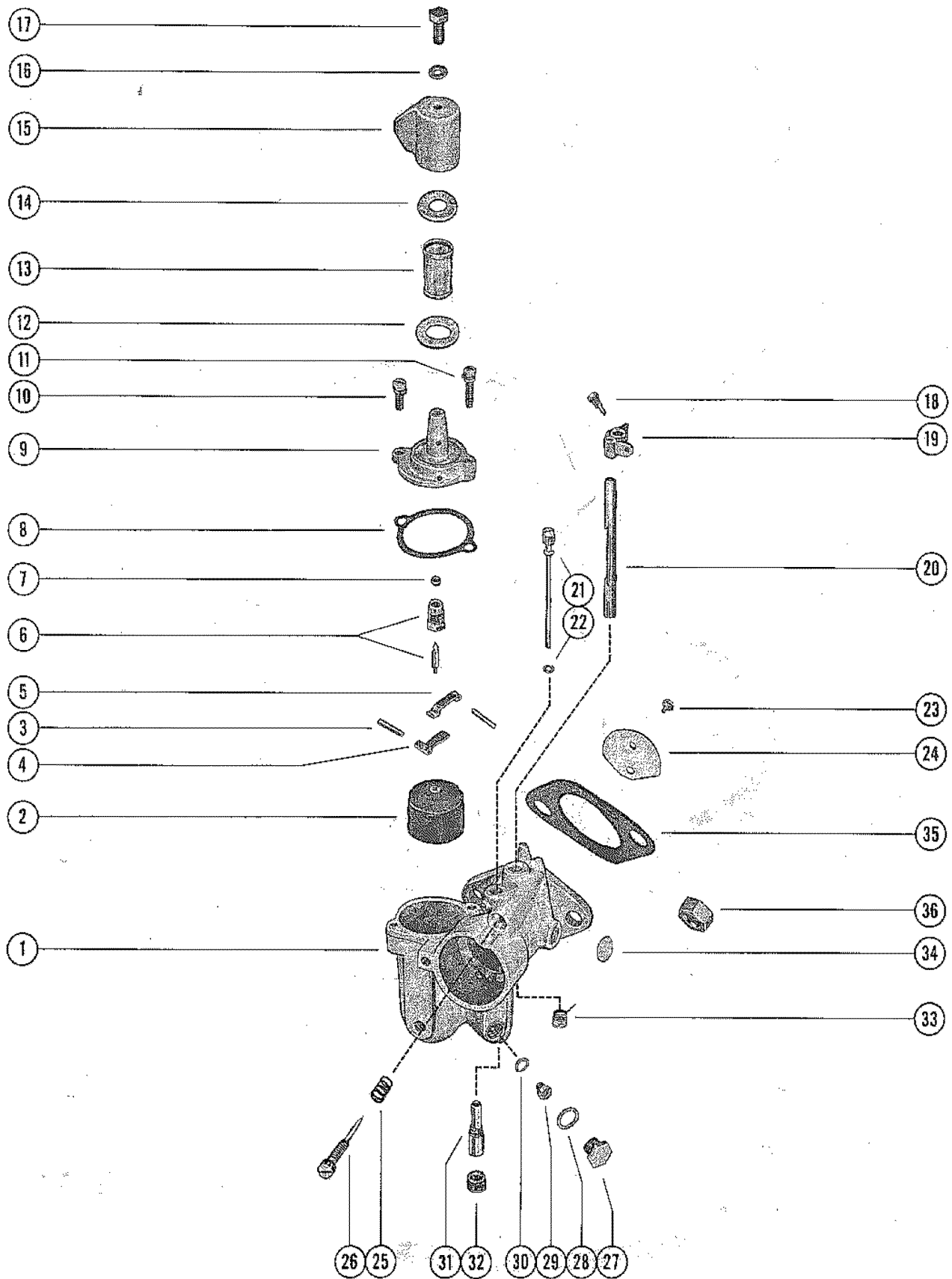
CARBURETOR LINKAGE AND CHOKE SOLENOID



CARBURETOR LINKAGE AND CHOKE SOLENOID

REF. NO.	PART NO.	SYM.	QTY.	DESCRIPTION
1	37585		1,1	CHOKE SOLENOID
2	30050		1,1	TERMINAL, CHOKE SOLENOID LEAD
3	10-25299		2,2	SCREW, CHOKE SOLENOID
4	13-26993		2,2	LOCKWASHER, CHOKE SOLENOID SCREW
5	54-33361		1,1	CLIP, CHOKE SOLENOID WIRE
6	27031A4		1,1	PLUNGER AND LINK ASSEMBLY, CHOKE SOLENOID
7	12-30164		1,1	WASHER, PLUNGER AND LINK
8	18-26953		1,1	COTTER PIN, LINK TO UPPER CHOKE LEVER
9	22463		1,1	KNOB, CHOKE ROD
10	25-20116		1,1	GROMMET, CHOKE ROD
11	37591		1,1	"U" LINK, SHOKE KNOB TO CHOKE ROD
12	10-20100		1,1	SCREW, "U" LINK TO CHOKE KNOB
13	13-26996		1,1	LOCKWASHER,"U" LINK SCREW
14	37590		1,1	ROD, CHOKE
15	17-25391		2,2	RIVET, CHOKE SHUTTER TO CHOKE ROD
16	31404		2,2	SHUTTER, CHOKE-CARBURETOR
17	16-30172		2,2	STUD, CARBURETOR-CHOKE SHUTTER PIVOT
18	12-30164		2,2	WASHER, CHOKE SHUTTER CARBURETOR STUD
20	23-30438		1,1	BUSHING, NYLON-UPPER CHOKE SHUTTER
21	24-37678		1,1	SPRING,TENSION-CHOKE ROD
22	16-21723		1,1	STUD, CHOKE ROD SPRING TO CARBURETOR
23	23-32427		1,1	SPACER, CHOKE ROD SPRING STUD
24	11-20184		1,1	NUT, CHOKE ROD SPRING TO CARBURETOR STUD
25	1335-2474		2,2	CARBURETOR ASSEMBLY, COMPLETE
26	28007A6		1,1	THROTTLE PICK-UP BRACKET ASSEMBLY
27	10-29239		1,1	SCREW, THROTTLE BRACKET MOUNTING
28	33148		1,1	CLUSTER, THROTTLE LEVER (UPPER CARBURETOR)
29	10-20847		1,1	SCREW, CLUSTER TO THROTTLE LEVER

CARBURETOR ASSEMBLY



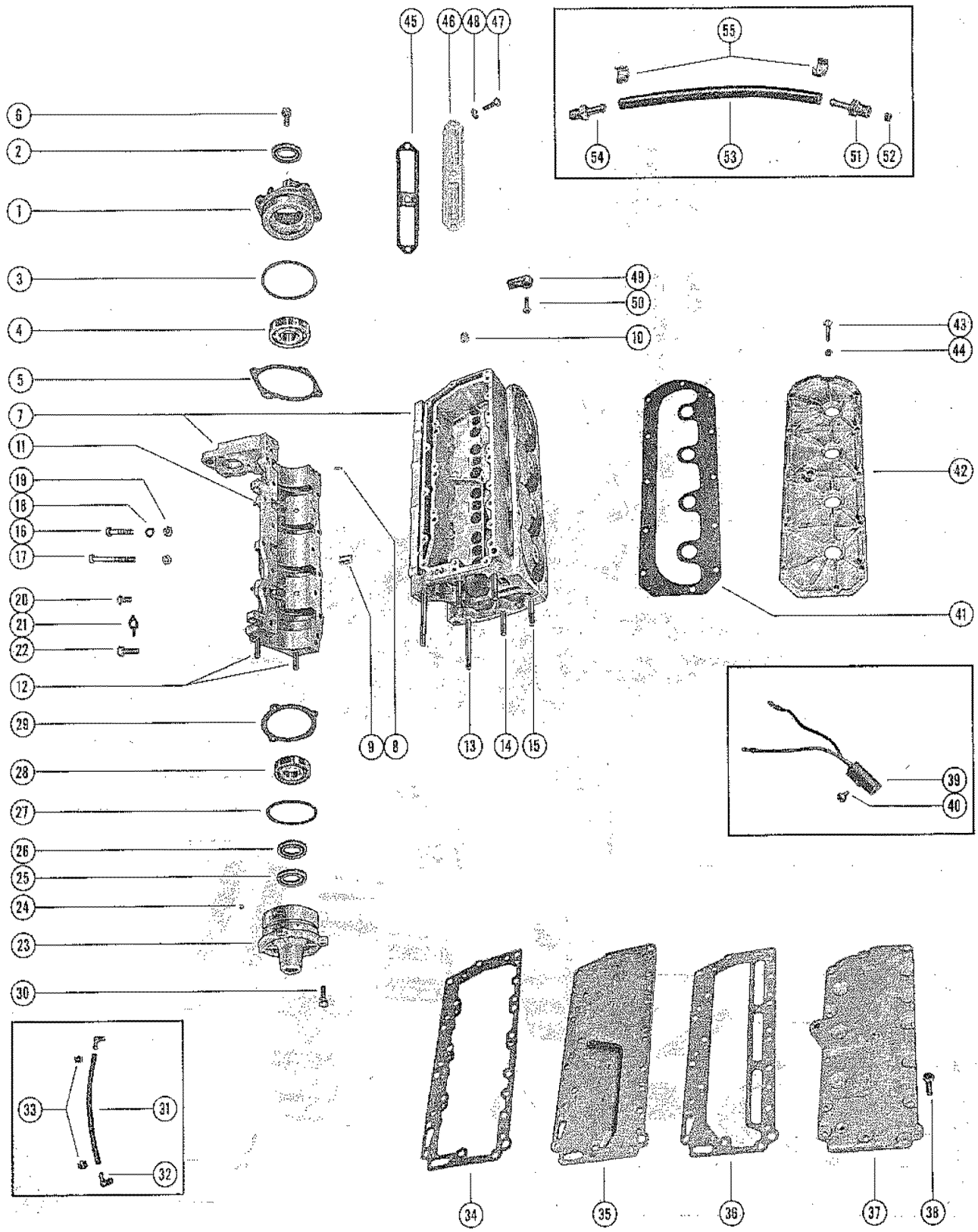
CARBURETOR ASSEMBLY

REF. NO.	PART NO.	SYM.	QTY.	DESCRIPTION
1	1335-2474		2,2	CARBURETOR ASSEMBLY, COMPLETE (KC-5A)
2	1399-110A1		2,2	FLOAT ASSEMBLY
3	17-20853		4,4	PIN, FLOAT LEVER PINION
4	1399-102		2,2	LEVER, FLOAT (LOWER)
5	1399-101		2,2	LEVER, FLOAT (UPPER)
6	1399-1473		2,2	INLET NEEDLE, SEAT AND GASKET
7	27-25033		2,2	GASKET, INLET SEAL
8	1399-99		2,2	GASKET, FLOAT BOWL COVER
9	1399-1133		2,2	COVER, FLOAT BOWL
10	10-20854		2,2	SCREW, FLOAT BOWL COVER (SHORT)
11	10-25850		2,2	SCREW, FLOAT BOWL COVER (LONG)
12	27-25851		2,2	GASKETD, STRAINER COVER(LARGE)
13	1399-1754		2,2	SCREEN, FILTER
14	27-25849		2,2	GASKET, STRAINER COVER (SMALL)
15	1399-1930		2,2	COVER, STRAINER
16	27-25848		2,2	GASKET, STRAINER COVER SCREW
17	10-25822		2,2	SCREW, STRAINER COVER FASTENING
18	10-20847		2,2	SCREW, THROTTLE STOP LEVER
19	1399-97		2,2	LEVER, THROTTLE STOP (SEE NOTE BELOW)
20	1399-2012		2,2	SHAFT, THROTTLE
21	1399-2534		2,2	TUBE, IDLE
22	27-23180		2,2	GASKET, IDLE TUBE
23	10-23035		4,4	SCREW AND LOCKWASHER, THROTTLE SHUTTER
24	1399-2180		2,2	SHUTTER, THROTTLE
25	24-27160		2,2	SPRING, IDLE ADJUSTMENT SCREW
26	1399-1713		2,2	SCREW, IDLE ADJUSTMENT
27	10-28405		2,2	SCREW, PLUG-MAIN FUEL JET CHANNEL
28	27-28406		2,2	GASKET, JET CHANNEL PLUG SCREW
29	1399-2013		OPT,OPT	JET, MAIN FUEL (.073)
	1399-2011		2,2	JET, MAIN FUEL (.071)-STANDARD
	1399-1962		OPT,OPT	JET, MAIN FUEL (.069)
30	27-28409		2,2	GASKET, MAIN FUEL JET
31	1399-2535		2,2	NOZZLE, MAIN
32	10-28846		2,2	SCREW, PLUG-MAIN NOZZLE
33	24-26890		1,1	SPRING, THROTTLE SHAFT RETURN(LOWER CARBURETOR)
	24-20869		1,1	SPRING, THROTTLE SHAFT RETURN (UPPER CARBURETOR)
34	19-32299		2,2	WELCH PLUG, BODY CHANNEL
-	1399-2015		2,2	GASKET AND PACKING SET(1 PER CARBURETOR)
-	1399-2536		2,2	REPAIR PARTS KIT 1 PER CARBURATOR)
35	27-31402		2,2	GASKET, CARBURETOR FLANGE
36	11-29250		4,4	NUT< CARBURETOR MOUNTING STUD

FUEL PUMP AND FUEL LINE ASSEMBLY

REF. NO.	PART NO.	SYM.	QTY.	DESCRIPTION
1	30269A2		1,1	FUEL PUMP ASSEMBLY-UPPER
2	27-23005		2,2	GASKET, CHECK VALVE TO HOUSING
3	21-30430		2,2	VALVE, CHECK-FUEL PUMP
4	23004		1,1	RETAINER, CHUCK VALVE
5	10-20037		2,2	SCREW, RETAINER TO HOUSING
6	27-24863		2,2	GASKET, FUEL PUMP
7	23014		1,1	DIAPHRAGM,FUEL PUMP
8	30461A2		1,1	FUEL PUMP ASSEMBLY-LOWER
2	27-23005		2,2	GASKET, CHECK VALVE TO HOUSING
3	21-30430		2,2	VALVE, CHECK-FUEL PUMP
4	23004		1,1	RETAINER, CHECK VALVE
5	10-20037		2,2	SCREW, RETAINER TO HOUSING
6	27-24863		2,2	GASKET, FUEL PUMP
7	23014		1,1	DIAPHRAGM, FUEL PUMP
9	30275		2,2	COVER, FUEL PUMP
10	27-30276		2,2	GASKET,FUEL PUMP COVER
11	10-29878		1,1	SCREW, PUMP MOUNTING (1 1/2")-UPPER PUMP
12	10-30274		2,2	SCREW,PUMP MOUNTING (1 3/4")-UPPER PUMP
13	10-38036		1,1	SCREW, PUMP MOUNTING (1 1/2")-LOWER PUMP
14	10-30273		2,2	SCREW, PUMP MOUNTING (1 7/8")-LOWER PUMP
15	32-33154A1		1,1	FUEL LINE ASSY, PUMP TO CARBURETOR (13 1/2")
16	22-29085		1,1	ELBOW (45),UPPER CARBURETOR
17	22-30174		1,1	ELBOW, UPPER FUEL PUMP OUTLET
18	22-30175		1,1	SLEEVE, FUEL PUMP OUTLET ELBOW
19	22-30177		1,1	NUT, FUEL PUMP OUTLET ELBOW
20	32-31552A1		1,1	FUEL LINE ASSY, PUMP TO PUMP (12 3/8")
21	32-31553A1		1,1	FUEL LINE ASSY, PUMP TO CARBURETOR (19 3/4")
22	32-30176		1,1	FUEL LINE, ADAPTOR TO LOWER FUEL PUMP INLET
23	22-30174		1,1	ELBOW, LOWER FUEL PUMP INLET
24	22-30175		1,1	SLEEVE, FUEL PUMP INLET ELBOW
25	22-30177		1,1	NUT, FUEL PUMP INLET ELBOW
26	22-37682		1,1	ELBOW, FUEL LINE TO ADAPTOR
27	30186		1,1	ADAPTOR, CHECK UNIT (FUEL LINE)
28	30187		1,1	STEM, CHECK UNIT ADAPTOR
29	25-20415		1,1	"O"RING, ADAPTOR STEM
30	24-30189		1,1	SPRING, ADAPTOR STEM
31	30188		1,1	CUP WASHER, ADAPTOR
32	10-37561		2,2	SCREW, ADAPTOR TO BOTTOM COWL
33	11-20184		2,2	NUT, ADAPTOR FASTENING SCREW
34	32-31550A1		1,1	FUEL LINE ASSY, UPPER TO LOWER CARBURETOR (6")

CYLINDER BLOCK AND CRANKCASE ASSEMBLY

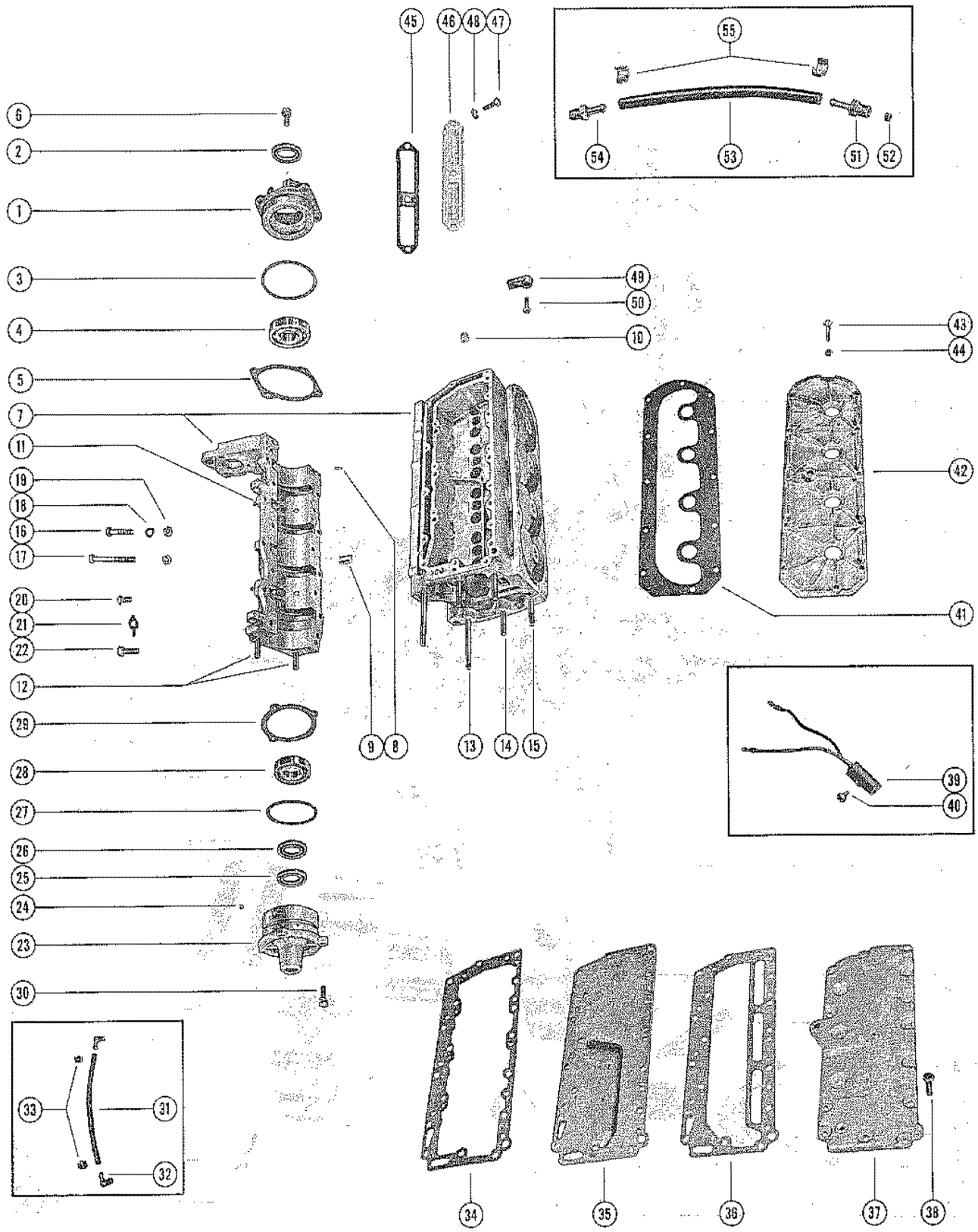


CYLINDER BLOCK AND CRANKCASE ASSEMBLY

REF. NO.	PART NO.	SYM.	QTY.	DESCRIPTION
1	1128-1890A1		1,1	END CAP ASSEMBLY, UPPER
2	26-29476		1,1	OIL SEAL
3	25-31305		1,1	"O"RING
4	30-32117		1,1	BALL BEARING
5	31283A1		AR,AR	SHIM, UPPER END CAP TO CRANKCASE
6	10-30225		4,4	SCREW, UPPER END CAP MOUNTING
7	834-2456A3		1,1	CYLINDER BLOCK AND CRANKCASE ASSEMBLY
8	17-20032		2,2	DOWEL PIN, CYLINDER BLOCK TO MAIN BEARING
9	17-20033		2,2	DOWEL PIN, CRANKCASE TO CYLINDER BLOCK
10	22-30139		1,1	PLUG, PIPE-WATER PRESSURE HOLE(CYLINDER BLOCK)
11	16-35099		4,4	STUD, CARBURETOR MOUNTING (1 1/4")
12	16-26133		2,2	STUD, CRANKCASE TO DRIVE SHAFT HOUSING (1 7/8")
13	16-26134		2,2	STUD, CYLINDER BLOCK TO DRIVE SHAFT HOUSING (4 1/16")
14	16-26135		2,2	STUD, CYLINDER BLOCK TO DRIVE SHAFT HOUSING (2 5/16")
15	16-37653		2,2	STUD CYLINDER BLOCK TO DRIVE SHAFT HOUSING (2 11/16")
16	10-26132		2,2	SCREW, CRANKCASE TO CYLINDER BLOCK (2 1/2")
	10-32293		13,13	SCREW, CRANKCASE TO CYLINDER BLOCK (1 3/4")
	10-33860		1,1	SCREW, CRANKCASE TO CYLINDER BLOCK (2")
17	10-33008		2,2	SCREW, CRANKCASE TO CYLINDER BLOCK (3 1/2")
18	12-20084		1,1	WASHER, GROUND STRAP AND CRANKCASE SCREW
19	11-29250		18,18	NUT, CRANKCASE TO CYLINDER BLOCK SCREW
20	10-36351		2,2	SCREW, MAIN BEARING LOCKING
21	14-20091		3,3	TAB WASHER, BEARING LOCKING SCREW
22	10-20359		1,1	SCREW, CENTER MAIN BEARING LOCKING
23	1126-1751A1		1,1	END CAP ASSEMBLY, LOWER
24	21-28481A1		1,1	CHECK VALVE ASSEMBLY, END CAP
25	26-29478		1,1	OIL SEAL, LOWER
26	26-29476		1,1	OIL SEAL, UPPER
27	25-20081		1,1	"O"RING
28	30-20080		1,1	BALL BEARING
29	15-20085A1		AR,AR	SHIM, LOWER END CAP TO CRANKCASE
30	10-30225		3,3	SCREW,LOWER END CAP MOUNTING
31	32-33729		2,2	TUBE, BALANCE-MAINE BEARING
32	22-25885		2,2	ELBOW, BALANCE TUBE TO MAIN BEARING SCREW
33	54-20386		2,2	CLAMP, BALANCE TUBE TO ELBOW
34	24-37449		1,1	GASKET, CYLINDER BLOCK TO BAFFLE PLATE
35	37447		1,1	PLATE,BAFFLE-EXHAUST MANIFOLD
36	27-37449		1,1	GASKET, BAFFLE PLATE TO MANIFOLD COVER
37	37383		1,1	COVER, EXHAUST MANIFOLD
38	10-38837		17,17	SCREW, BAFFLE PLATE AND COVER MOUNTING
39	33385A1		1,1	SWITCH, MERCURY

CONTINUED ON NEXT PAGE ➡

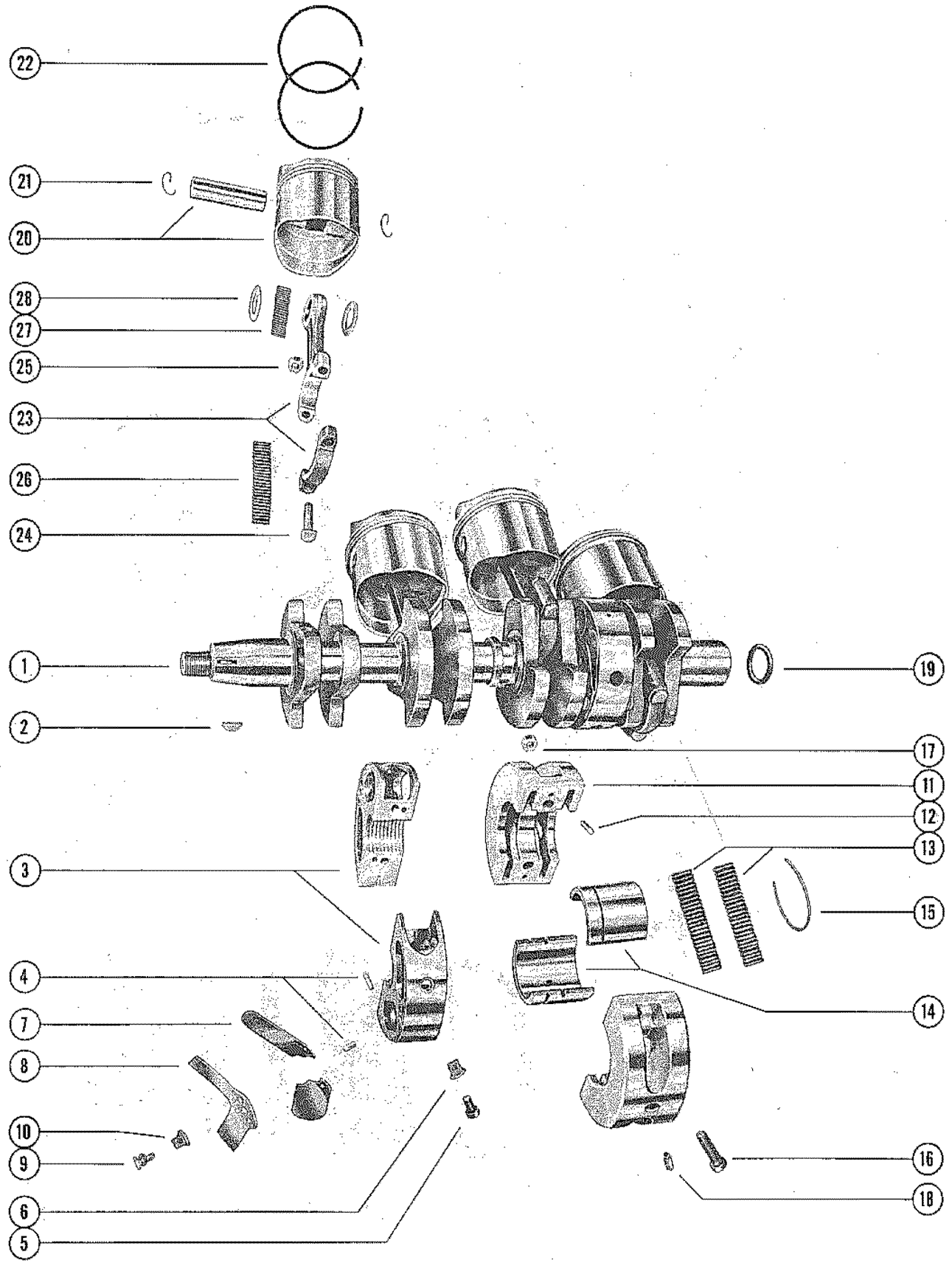
CYLINDER BLOCK AND CRANKCASE ASSEMBLY



CYLINDER BLOCK AND CRANKCASE ASSEMBLY

REF. NO.	PART NO.	SYM.	QTY.	DESCRIPTION
40	10-28708		1,1	SCREW, MERCURY SWITCH TO MANIFOLD COVER
41	27-33015		1,1	GASKET, CYLINDER BLOCK COVER
42	1012-2445		1,1	COVER, CYLINDER BLOCK
43	10-21091		12,12	SCREW,CYLINDER BLOCK COVER MOUNTING
44	11-20184		12,12	NUT, COVER MOUNTING SCREW
45	27-31304		2,2	GASKET, TRANSFER PORT COVER
46	31288		2,2	COVER, TRANSFER PORT
47	10-20540		2,2	SCREW, TRANSFER PORT COVER TO CYLINDER BLOCK (5/8")
	10-24963		1,1	SCREW, TRANSFER PORT COVER TO CYLINDER BLOCK (7/8")
	10-28635		3,3	SCREW, TRANSFER PORT COVER TO CYLINDER BLOCK (5/8")
48	12-22937		2,2	WASHER, TRANSFER PORT COVER SCREW
49	37440		1,1	BRACKET, MOUNT SUPPORT-CYLINDER BLOCK
50	10-24234		1,1	SCREW, BRACKET TO CYLINDER BLOCK (1")
51	21-28483A1		1,1	CHECK VALVE ASSEMBLY, UPPER-BLEED HOSE
52	21-28481A1		1,1	CHECK VALVE ASSEMBLY
53	32-26060		1,1	HOSE,CYLINDER BLEED (8 1/2")
54	22-20445		1,1	CONNECTOR, LOWER-BLEED HOSE
55	54-20387		2,2	CLAMP, BLEED HOSE TO CHECK VALVE AND CONNECTOR

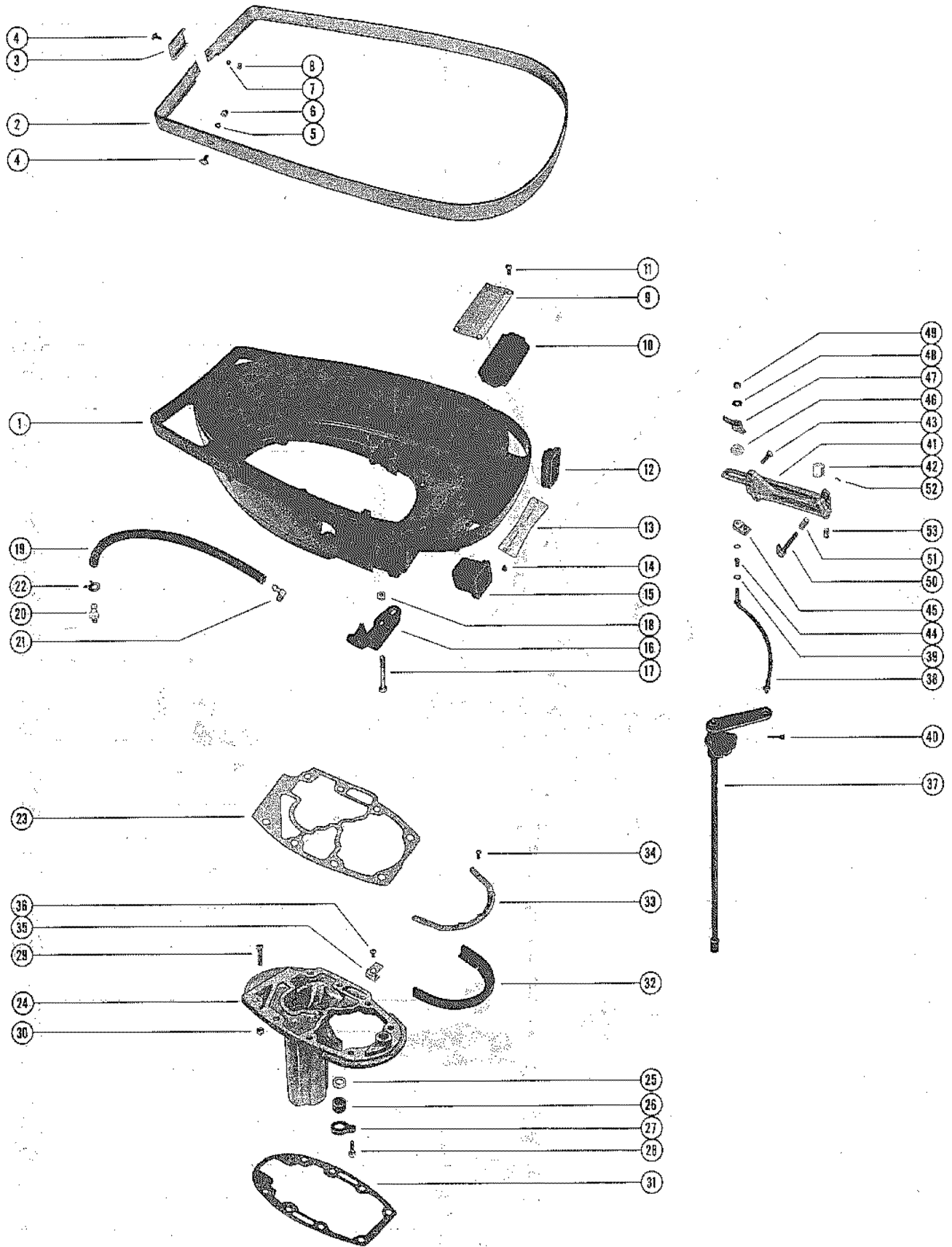
CRANKSHAFT, PISTON AND CONNECTING ROD



CRANKSHAFT, PISTON AND CONNECTING ROD

REF. NO.	PART NO.	SYM.	QTY.	DESCRIPTION
1	418-1898		1,1	CRANKSHAFT
2	28-30250		1,1	KEY, FLY WHEEL DRIVE
3	533-2034A2		2,2	MAIN BEARING ASSEMBLY (VALVE TYPE)
4	17-20032		20,20	DOWL PIN, MAIN BEARING
5	10-25313		4,4	SCREW, MAIN BEARING CLAMPING
6	11-29469		4,4	NUT, MAIN BEARING CLAMPING SCREW
7	34-32203A1		2,2	REED SET, MATCHED-MAIN BEARING
8	34-31240		8,8	REED STOP, MAIN BEARING REED VALVES
9	10-29465		8,8	SCREW, REED STOP MOUNTING
10	11-29469		8,8	NUT, REED STOP MOUNTING SCREW
11	531-1884A2		1,1	CENTER MAIN BEARING ASSEMBLY
12	17-20032		2,2	DOWL PIN, CENTER MAIN BEARING
13	29-26114		56,56	BEARING, NEEDLE
14	26113		1,1	RACE, OUTER (PAIR)
15	53-26933		1,1	RING, SNAP-OUTER RACE CLAMPING
16	10-22966		2,2	SCREW, CENTER MAIN BEARING CLAMPING
17	11-20184		2,2	NUT, MAIN BEARING CLAMPING SCREW
18	17-31245		1,1	DOWEL PIN (STEPPED)
19	25-30613		1,1	"O"RING, DRIVE SHAFT SPLINE
20	732-2045A4		4,4	PISTON AND PISTON PIN ASSEMBLY
21	40-32118		8,8	LOCK RING, PISTON PIN
22	39-32921A12		8,8	RING,PISTON
23	611-1885A4		4,4	CONNECTING ROD AND CAP ASSEMBLY
24	10-20060		8,8	SCREW,CAP TO CONNECTING ROD
25	11-20061		8,8	NUT, CONNECTING ROD SCREW
26	29-38586		128,128	BEARING, NEEDLE-CRANKPIN
27	29-39656		100,100	BEARING, NEEDLE-PISTON PIN
28	12-29681		8,8	WASHER, NEEDLE LOCATING
-	732-2194A1		4,4	PISTON AND PISTON PIN ASSEMBLY (.015) OVERSIZE PISTON AND RING
-	39-33945A12		8,8	RING, PISTON (.015) OVERSIZE PISTON AND RING

BOTTOM COWL AND SHIFT LINKAGE

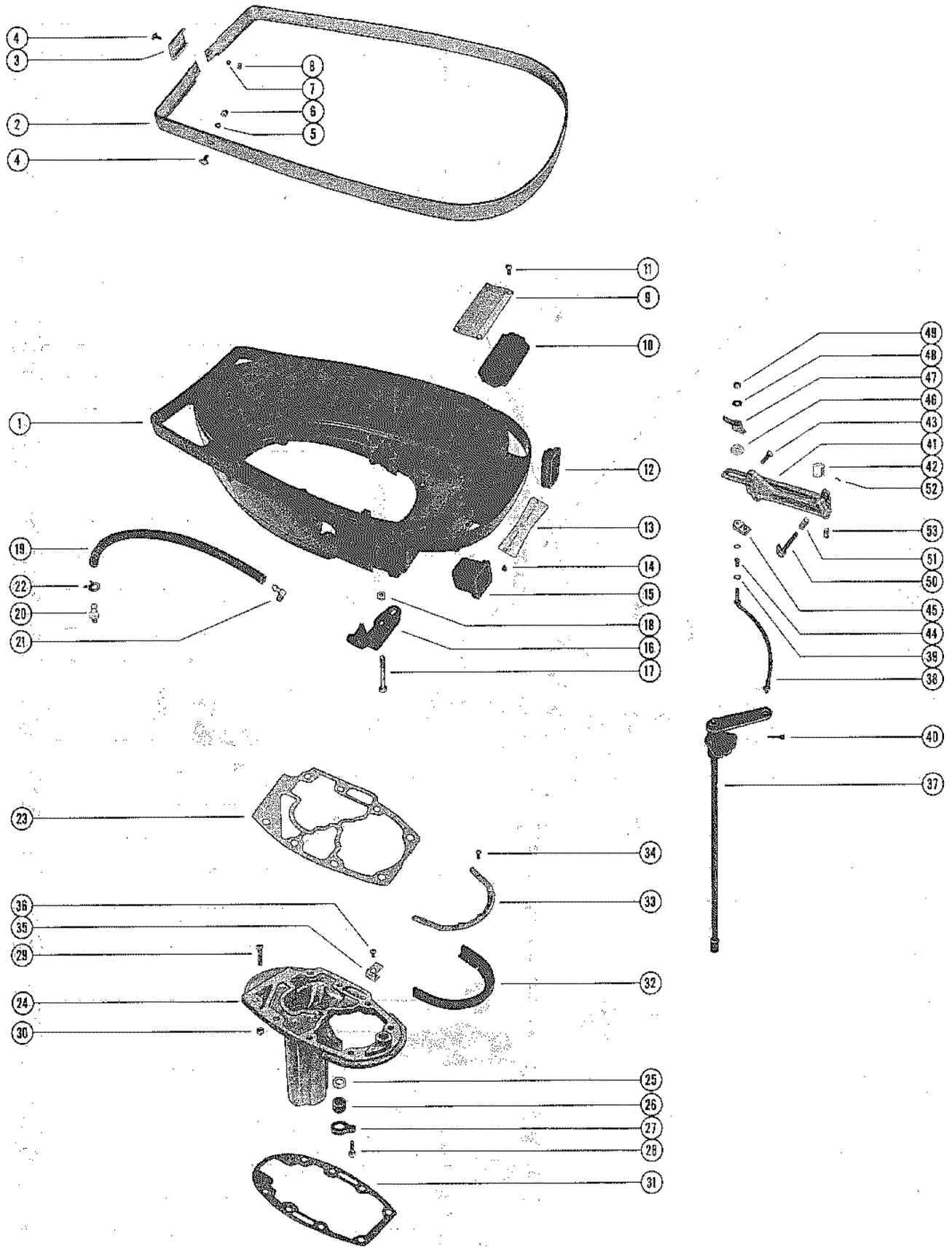


BOTTOM COWL AND SHIFT LINKAGE

REF. NO.	PART NO.	SYM.	QTY.	DESCRIPTION
1	2115-2458		1,1	COWL, BOTTOM
2	37415A1		1,1	TRIM MOULDING ASSEMBLY, BOTTOM COWL
3	38046		1,1	SPLICER, TRIM MOULDING, REAR
4	10-29226		5,5	SCREW, DECORATIVE - MOULDING TO BOTTOM COWL
5	12-24671		2,2	WASHER, FIBER-MOULDING FASTENING SCREW
6	11-29225		2,2	NUT, NYLON CAP - MOULDING FASTENING SCREW
7	13-26995		3,3	LOCKWASHER, MOULDING FASTENING SCREW
8	11-26419		3,3	NUT, BRASS - MOULDING FASTENING SCREW
9	37920A1		1,1	COVER PLATE ASSEMBLY, BOTTOM COWL
10	37940		1,1	PAD, SOUND -COVER PLATE
11	10-30009		4,4	SCREW, COVER PLATE TO BOTTOM COWL
12	37638		1,1	BOOT, CONTROL CABLES - BOTTOM COWL
13	23760		1,1	BAFFLE, BOTTOM COWL
14	10-21106		3,3	SCREW, BAFFLE TO BOTTOM COWL
15	37637		1,1	BOOT, FUEL CONNECTOR - BOTTOM COWL
16	32-26407		1,1	HOSE, TELL TALE - EXHAUST COVER TO BOTTOM COWL (16")
17	10-37561		2,2	SCREW, WIRING HARNESS SUPPORT TO BOTTOM COWL
18	11-20184		2,2	NUT, WIRING HARNESS SUPPORT SCREW
19	32-26407		1,1	HOSE, TELL TALE-EXHAUST COVER TO BOTTOM COWL(16")
20	22-29111		1,1	CONNECTOR, TELL TALE HOSE TO BOTTOM COWL
21	22-25885		1,1	ELBOW, TELL TALE HOSE TO EXHAUST COVER
22	54-22976		2,2	CLAMP, TELL TALE HOSE TO CONNECTOR AND ELBOW
23	27-37437		1,1	GASKET, POWERHEAD TO EXHAUST EXTENSION PLATE
24	38468A4		1,1	PLATE ASSEMBLY, EXHAUST EXTENSION
25	12-36446		1,1	WASHER, NYLON - WATER INLET TUBE - SERIAL 00000000-02014592
26	26-36557		1,1	SEAL, RUBBER-WATER INLET TUBE SERIAL 00000000-02014592
	26-38970		,1	SEAL, RUBBER-WATER INLET TUBE- SERIAL 02014593-09999999
27	38448		1,1	RETAINER, WATER TUBE SEAL SERIAL 01803379-09999999
28	10-34439		1,1	SCREW, RETAINER TO EXTENSION PLATE (3/4") SERIAL 01803379-09999999
29	10-22421		1,1	SCREW, EXTENSION PLATE TO DRIVE SHAFT HOUSING SERIAL 01803379-09999999
30	11-20184		1,1	NUT, EXHAUST EXTENSION PLATE SCREW SERIAL 01803379-09999999
31	27-38471		1,1	GASKET, EXHAUST EXTENSION PLATE TO DRIVE SHAFT HOUSING
32	37918		1,1	SEAL, EXHAUST EXTENSION PLATE
33	38032		1,1	STRIP, RETAINING-EXHAUST EXTENSION PLATE SEAL
34	10-37571		5,5	SCREW, SEAL AND STRIP TO EXHAUST EXTENSION PLATE
35	37824		1,1	BRACKET, SHIFT SHAFT HOLD DOWN

CONTINUED ON NEXT PAGE ➡

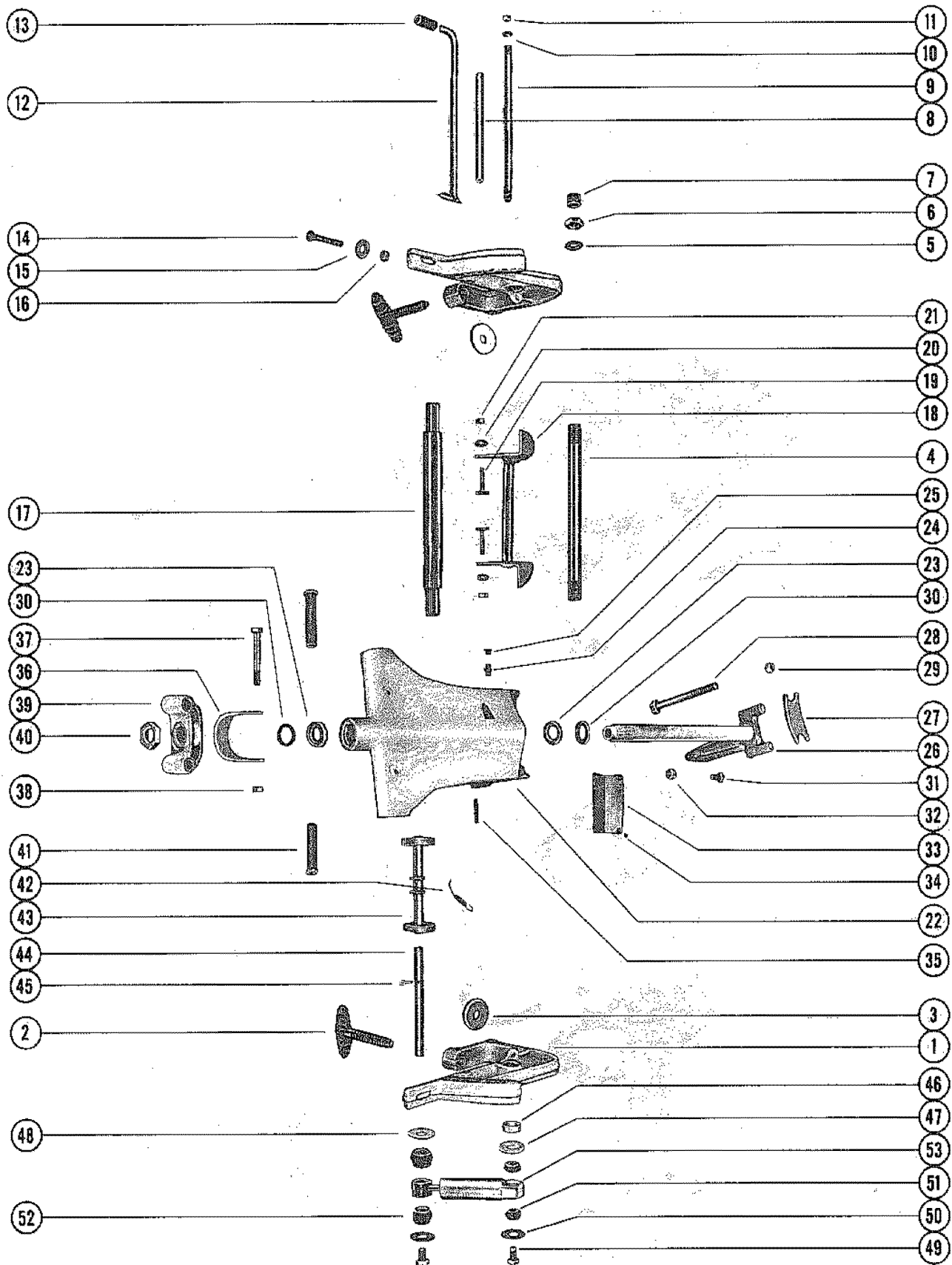
BOTTOM COWL AND SHIFT LINKAGE



BOTTOM COWL AND SHIFT LINKAGE

REF. NO.	PART NO.	SYM.	QTY.	DESCRIPTION
36	10-30009		1,1	SCREW, HOLD DOWN BRACKET TO EXHAUST EXTENSION PLATE
37	37430A1		1,1	SHIFT SHAFT ASSEMBLY, UPPER (SHORT SHAFT)
	37431A1		1,1	SHIFT SHAFT ASSEMBLY, UPPER (LONG SHAFT)
38	37899		1,1	LINK ROD, SHIFT
39	13-29720		2,2	WASHER, WAVE-LINK ROD
40	18-25191		1,1	COTTER PIN, LINK ROD TO SHIFT SHAFT
41	37897		1,1	BRACKET, ANCHOR-CONTROL CABLES
42	38802		1,1	CAPS, BRASS BARREL OF THROTTLE CABLE SERIAL 01845850-09999999
43	10-24234		3,3	SCREW, ANCHOR BRACKET TO CYLINDER BLOCK (1")
44	24-20099		1,1	SPRING, LINK ROD TO GUIDE BLOCK
45	37896		1,1	GUIDE BLOCK, LINK ROD
46	12-37905		1,1	WASHER, NYLON - LINK ROD
47	38279		1,1	LATCH, CONTROL CABLE FASTENING-ANCHOR BRACKET
48	12-21631		1,1	WASHER, CONTROL CABLE LATCH LINK ROD
49	11-20361		1,1	NUT, LINK ROD
50	37913		1,1	LEVER, CONTROL CABLE LOCKING - ANCHOR BRACKET
51	24-37911		1,1	SPRING, CONTROL CABLE LOCKING LEVER
50	24-38472		1,1	SPRING, CONTROL CABLE TENSION-ANCHOR BRACKET
52	17-23928		1,1	CKING LEVER

CLAMP AND SWIVEL BRACKET ASSEMBLY

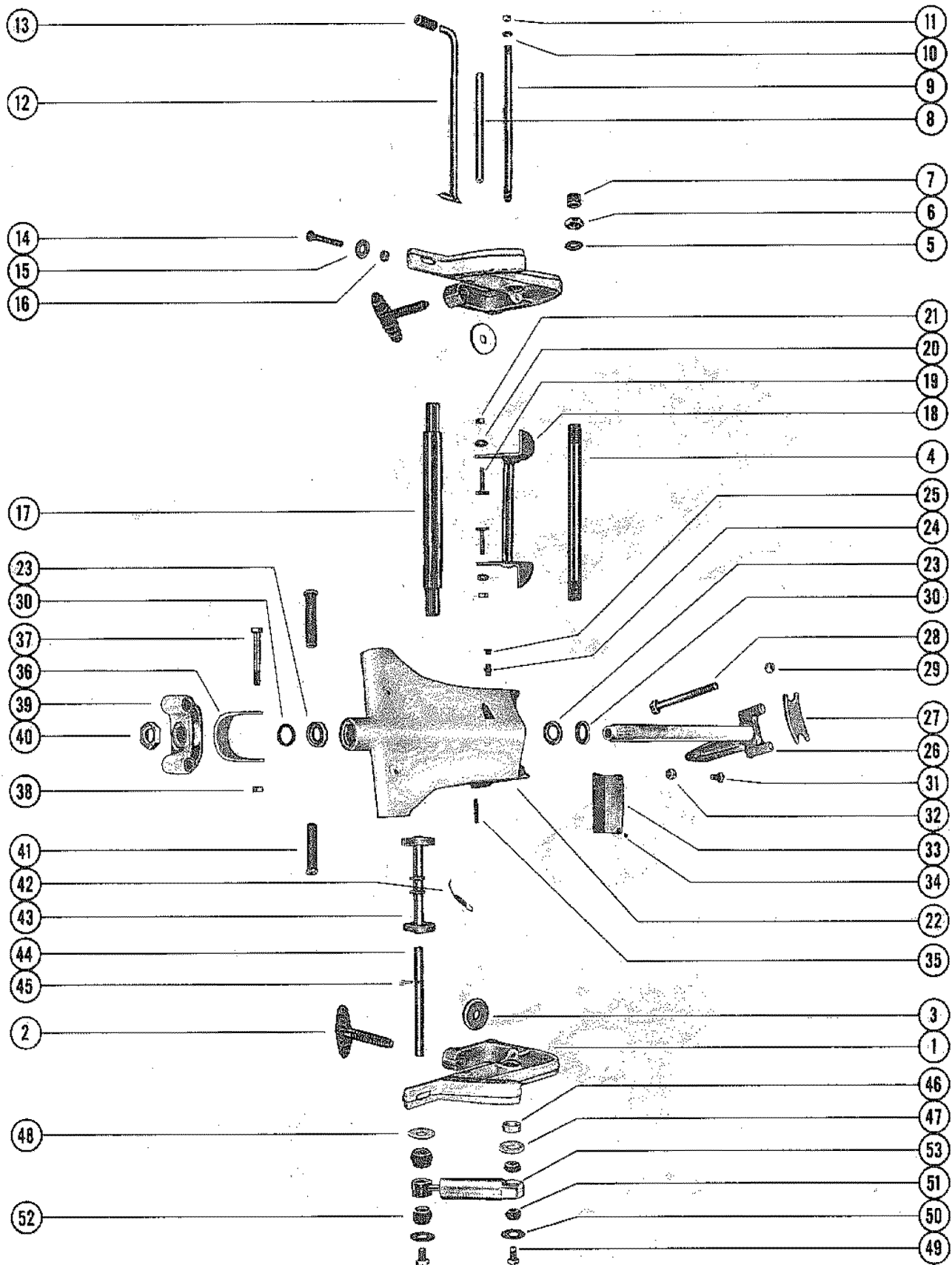


CLAMP AND SWIVEL BRACKET ASSEMBLY

REF. NO.	PART NO.	SYM.	QTY.	DESCRIPTION
1	1440-1796A1		2,2	CLAMP BRACKET ASSEMBLY
2	28403A3		2,2	THUMB SCREW ASSEMBLY
3	12-28404		2,2	WASHER, THUMB SCREW
4	...C-30664		1,1	TUBE, TILT - CLAMP BRACKET TO SWIVEL BRACKET
5	15-30497A1		2,2	SHIM, CLAMP BRACKET TILT TUBE
6	11-30499		2,2	NUT, TILT TUBE FASTENING
7	30498		2,2	CAP, PLASTIC - TILT TUBE
8	23-20222		1,1	SPACER, CLAMP BRACKET STUD
9	16-20221		2,2	STUD, CLAMP BRACKET
10	13-26993		2,2	LOCKWASHER, CLAMP BRACKET STUD
11	11-20083		2,2	NUT, CLAMP BRACKET STUD
12	17-30687A1		1,1	TILT LOCK PIN ASSEMBLY
13	32-28052		1,1	SLEEVE, RUBBER - TILT LOCK PIN BUMPER
14	10-28009		2,2	BOLT, CLAMP BRACKET TO BOAT TRANSOM
15	12-28008		2,2	WASHER, CLAMP BRACKET BOLT
16	11-28010		2,2	NUT, CLAMP BRACKET BOLT
17	55-28416		1,1	PIN, UPPER SHOCK MOUNTING
18	30126A1		1,1	TILT STOP LEVER ASSEMBLY
19	10-30128		2,2	SCREW, TILT STOP LEVER ANCHOR
20	13-31030		2,2	WASHER, WAVE - LEVER ANCHOR SCREW
21	11-29250		2,2	NUT, LEVER ANCHOR SCREW
22	1447-1945A3		1,	SWIVEL BRACKET ASSEMBLY (USE WITH A-17-31773A2 SWIVEL PIN LONG SHAFT)
23	26-31783		2,	OIL SEAL, SWIVEL BRACKET (1 11/16" O.D.) LONG SHAFT
22	1453-2461A1		1,	SWIVEL BRACKET ASSEMBLY(USE WITH A-17-37462A1 SWIVEL PIN SHORT SHAFT)
	1453-2690A1		,1	SWIVEL BRACKET ASSEMBLY(USE WITH A-17-37462A1 SWIVEL PIN SHORT SHAFT)
	1447-2462A3		1,	SWIVEL BRACKET ASEMBLY(USE WITH A-17-37423A1 SWIVEL PIN LONG SHAFT)
	1447-2689A1		,2	SWIVEL BRACKET ASSEMBLY(USE WITH A-17-37423A1 SWIVEL PIN LONG SHAFT)
23	26-37448		2,2	OIL SEAL, SWIVEL BRACKET
24	22-23612		1,1	FITTING, GREASE
25	29359		1,1	LUBRICAP, SWIVEL BRACKET GREASE FITTING
26	17-37462A1		1,	SWIVEL PIN AND STEERING ARM ASSEMBLY (1 3/16"O.D.)-SHORT SHA
	17-31773A2		1,1	SWIVEL PIN AND STEERING ARM ASSEMBLY (1 1/6"O.D.)LONG SHAFT
	17-37423A1		1,1	SWIVEL PIN AND STEERING ARM ASSEMBLY (1 3/16"O.D. LONG SHAFT
27	28203		1,1	BUMPER, STEERING ARM
28	10-30453		2,2	BOLT, STEERING ARM TO UPPER MOUNT
29	11-22178		2,2	NUT, STEERING ARM BOLT FASTENING

CONTINUED ON NEXT PAGE ➡

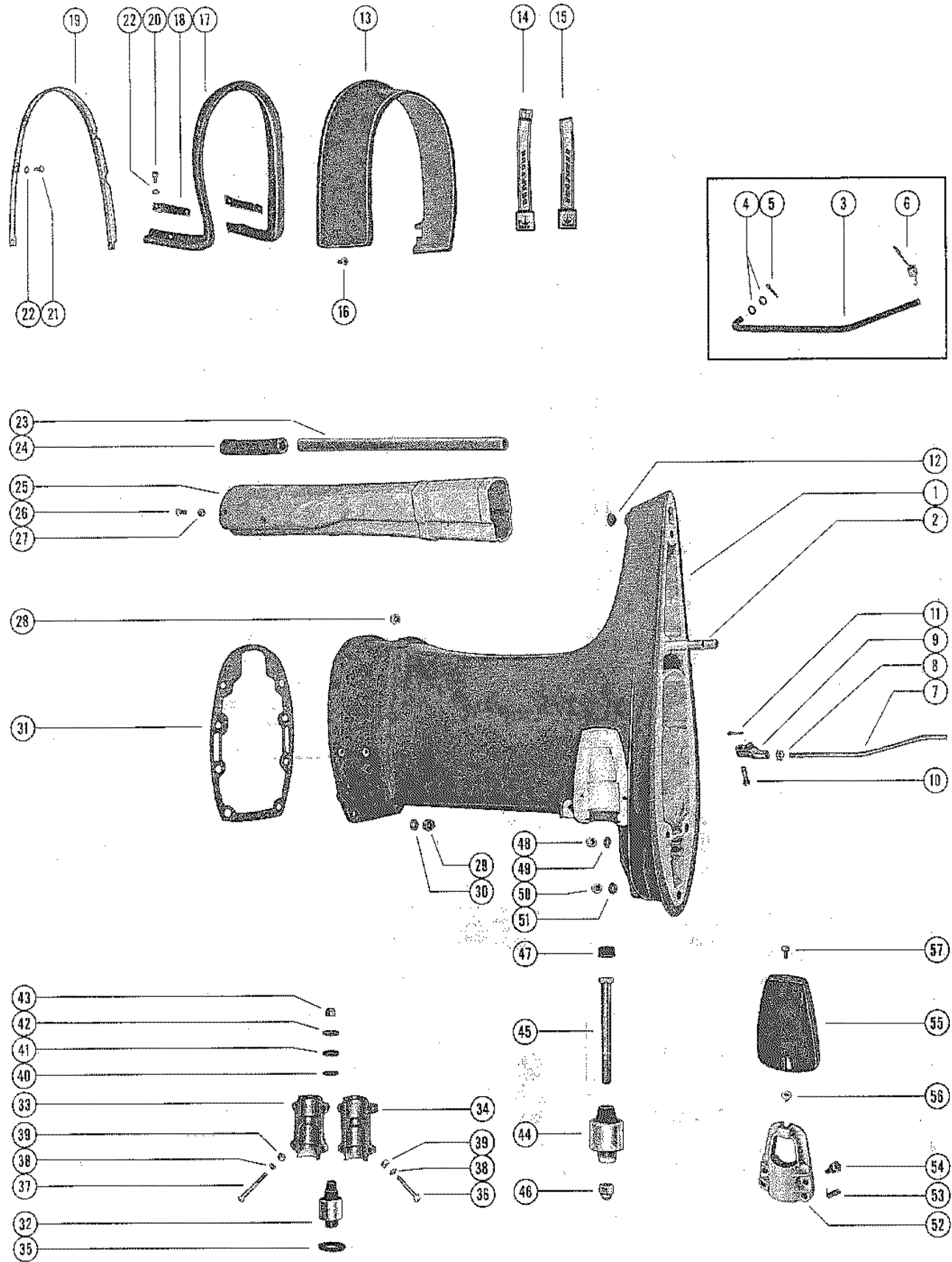
CLAMP AND SWIVEL BRACKET ASSEMBLY



CLAMP AND SWIVEL BRACKET ASSEMBLY

REF. NO.	PART NO.	SYM.	QTY.	DESCRIPTION
30	12-37429		1,	WASHER, SWIVEL PIN - LOWER (TOP WASHER OPTIONAL)-SHORT SHAF
	12-31815		1,1	WASHER, SWIVEL PIN - LOWER (TOP WASHER OPTIONAL)-LONG SHAFT
31	10-31830		1,1	SCREW, RIDE-GUIDE ATTACHING
32	11-20509		1,1	NUT, RIDE-GUIDE ATTACHING SCREW
33	38-39784		1,1	SERIAL PLATE
34	10-25612		4,4	SCREW, DRIVE-SERIAL PLATE TO SWIVEL BRACKET
35	17-25598		1,1	PIN, REVERSE LOCK SPRING ATTACHING
36	28205		1,1	STRAP STOP, DRIVE SHAFT HOUSING TO SWIVEL BRACKET
37	10-28200		1,1	SCREW, STRAP STOP TO DRIVE SHAFT HOUSING
38	11-25269		1,1	NUT, STRAP STOP FASTENING SCREW
39	37419		1,1	YOKE, BOTTOM (SHORT SHAFT)-SEE NOTE
	31775		1,	YOKE, BOTTOM (LONG SHAFT)
40	11-37424		1,1	NUT, SWIVEL PIN RETAINING (SHORT SHAFT)SEE NOTE
	11-28202		1,	NUT, SWIVEL PIN RETAINING (LONG SHAFT)
41	55-29247		2,2	PIN, LOWER SHOCK MOUNTING ((SHORT SHAFT)
	555-28414		2,2	PIN, LOWER SHOCK MOUNTING(LONG SHAFT)
-	10-28424		2,2	SCREW, LOWER SHOCK PIN (LONG SHAFT)
-	11-20184		2,2	NUT, LOWER SHOCK PIN SCREW (LONG SHAFT)
42	24-29821		1,1	SPRING, REVERSE LOCK TENSION
43	26903A4		1,	REVERSE LOCK ASSEMBLY(NOT AS SHOWN)
	39015A1		,1	REVERSE LOCK ASSEMBLY
44	20208		1,1	SHAFT, REVERSE LOCK PIVOT
45	18-20209		1,1	COTTER PIN, REVERSE LOCK TO SHAFT
46	23-28199		2,2	SPACER, UPPER SHOCK BUSHING TO CLAMP BRACKET
47	12-28196		2,2	WASHER, UPPER BUSHING RETAINER (INNER)
48	12-28264		2,2	WASHER, LOWER BUSHING RETAINER (INNER)
49	10-28450		4,4	SCREW, NYLOK - UPPER AND LOWER SHOCK MOUNTING PIN
50	12-28421		4,4	WASHER, UPPER AND LOWER BUSHING RETAINER (OUTER)
51	23-32171		4,4	BUSHING, RUBBER - SHOCK ABSORBER (UPPER)
52	23-28198		4,4	BUSHING, RUBBER - SHOCK ABSORBER (LOWER)
53	55-31933		2,2	SHOCK ABSORBER

DRIVE SHAFT HOUSING ASSEMBLY

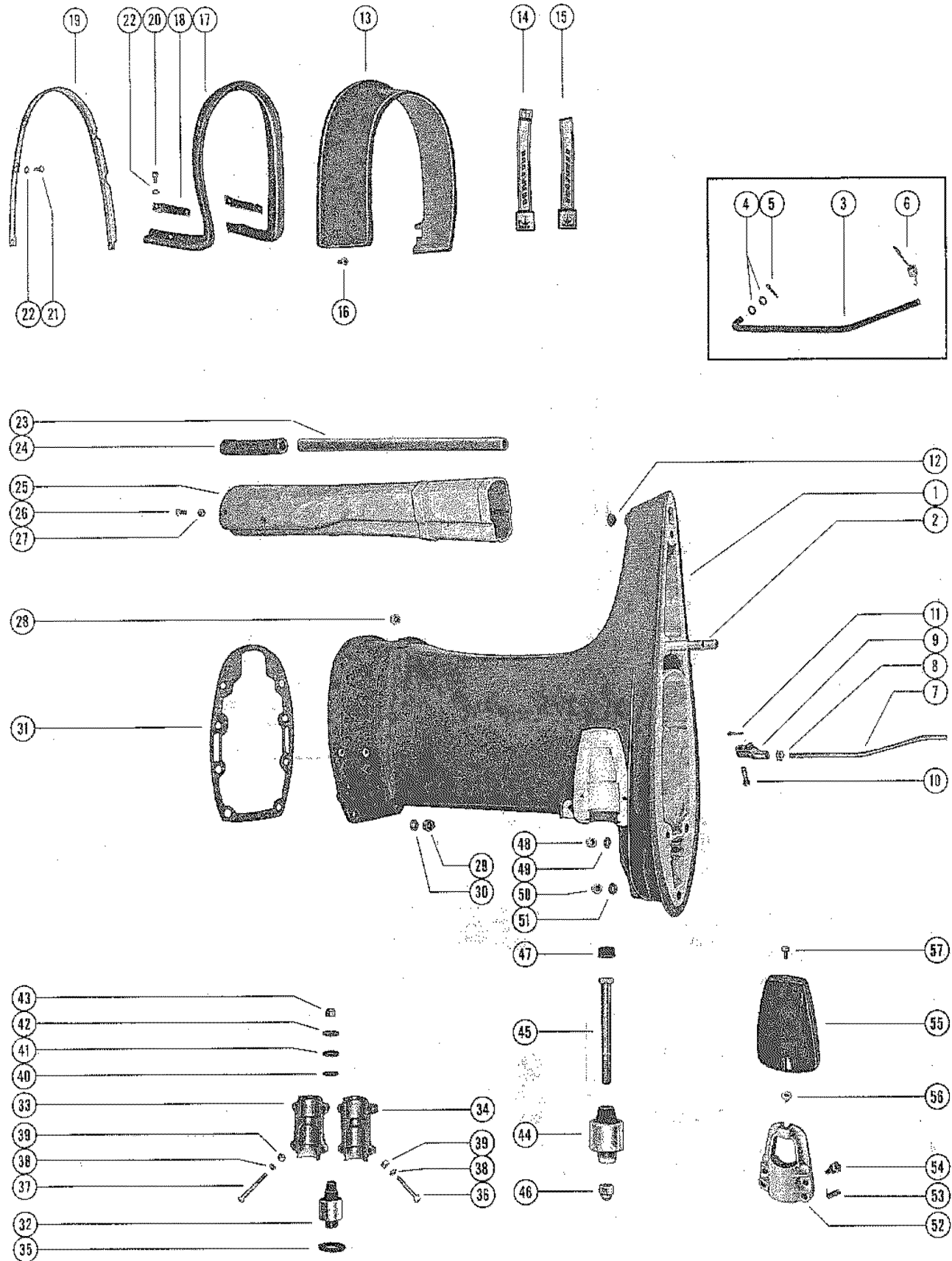


DRIVE SHAFT HOUSING ASSEMBLY

REF. NO.	PART NO.	SYM.	QTY.	DESCRIPTION
1	1552-2463A1		1,1	DRIVE SHAFT HOUSING ASSEMBLY(SHORT SHAFT)
	1551-2459A2		1,1	DRIVE SHAFT HOUSING SSEMBLY(LONG SHAFT)
2	16-30929		2,2	STUD, DRIVE SHAFT HOUSING TO GEAR HOUSING
3	37461		1,	ROD, PUSH-REVERSE LOCK(SHORT SHAFT) FOR REVERSE HOOK REPLACEMENT KIT-SEE PAGE 31
	37443		1,	ROD, PUSH-REVERSE LOCK (LONG SHAFT) FOR REVERSE HOOK REPLACEMENT KIT-SEE PAGE 31
4	12-20546		2,	WASHER, PUSH ROD FOR REVERSE HOOK REPLACEMENT KIT-SEE PAGE 31
5	18-25191		1,	COTTER PIN, PUSH ROD TO REVERSE LOCK FOR REVERSE HOOK REPLACEMENT KIT-SEE PAGE 31
6	24-37444		1,	SPRING, TENSION-PUSH ROD FOR REVERSE HOOK REPLACEMENT KIT-SEE PAGE 31
7	39018		1,	ROD, PUSH-REVERSE LOCK (SHORT SHAFT)
	39017		,1	ROD, PUSH-REVERSE LOCK (LONG SHAFT)
8	11-29250		,1	NUT, JAM-PUSH ROD
9	39022		,1	YOKE, PUSH ROD
10	17-39023		,1	PIN, PUSH ROD TO REVERSE LOCK
11	18-25191		,1	COTTER PIN, PUSH ROD PIN
12	19-32298		,1	PLUG, PLASTIC - TRIM TAB SCREW HOLE
13	37417		1,1	COVER, TRIM - DRIVE SHAFT HOUSING
14	N.S.S.		*	DECAL, TRIM COVER - PORT NOT AS SHOWN
15	N.S.S.		*	DECAL, TRIM COVER-STARBOARD NOT AS SHOWN
14	N.S.S.		,#	DECAL, TRIM COVER - PORT
15	N.S.S.		,#	DECAL, TRIM COVER-STARBOARD
16	10-37571		4,4	SCREW, TRIM COVER TO BOTTOM COWL
17	37919		1,1	SEAL, TRIM COVER TO DRIVE SHAFT HOUSING
18	37665		2,2	STRIP, RETAINING-TRIM COVER SEAL(SIDE)
19	38052		1,1	STRIP, RETAINING-TRIM COVER SEAL(REAR)
20	10-38055		2,2	SCREW, RETAINING STRIP TO DRIVE SHAFT HOUSING (5/8")
21	10-37573		6,6	SCREW,RETAINING STRIP TO DRIVE SHAFT HOUSING(1/2")
22	12-30164		8,8	WASHER,RETAINING STRIP SCREW
23	32-37446		1,1	TUBE,WATER INLET(SHORT SHAFT)
	32-37438		1,1	TUBE,WATER INLET(LONG SHAFT)
24	23-29591		1,1	SLEEVE,RUBBER-WATER INLET TUBE
25	38469		1,1	TUBE,EXHAUST(SHORT SHAFT)
	38470		1,1	TUBE,EXHAUST(LONG SHAFT)
26	10-38601		3,3	SCREW,EXHAUST TUBE TO EXHAUST EXTENSION PLATE SERIAL 01803379-09999999
27	11-29322		3,3	NUT,EXHAUST TUBE SCREW SERIAL 01803379-09999999
28	11-23161		6,6	NUT,POWERHEAD STUDS
29	11-20509		2,2	NUT,POWERHEAD STUDS
30	12-20086		2,2	WASHER,POWERHEAD STUDS
31	27-38471		1,1	GASKET,EXHAUST EXTENSION PLATE TO DRIVE SHAFT HOUSING

CONTINUED ON NEXT PAGE ➡

DRIVE SHAFT HOUSING ASSEMBLY



DRIVE SHAFT HOUSING ASSEMBLY

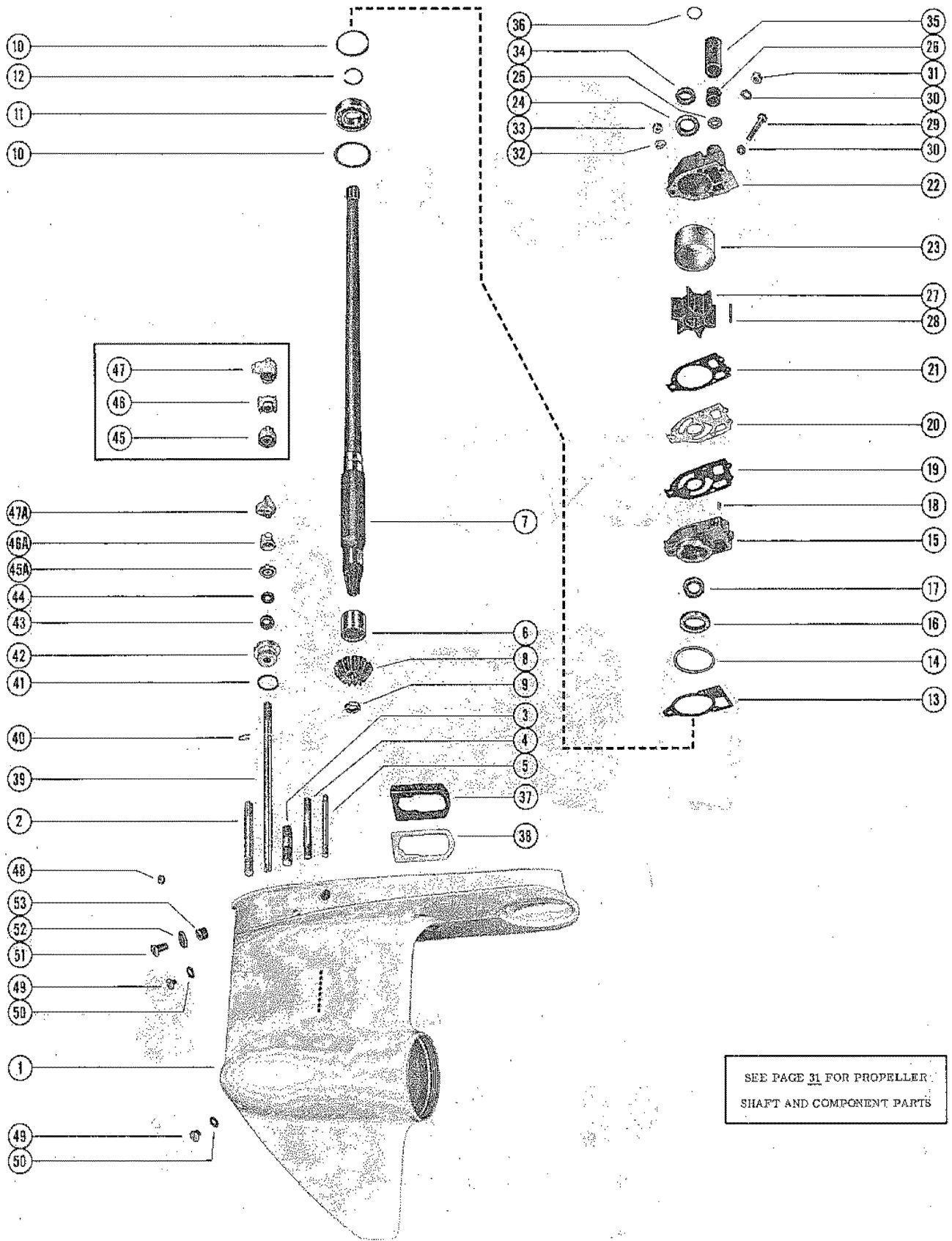
REF. NO.	PART NO.	SYM.	QTY.	DESCRIPTION
32	37396		2,2	MOUNT,RUBBER-UPPER
33	26218		2,2	COVER,UPPER MOUNT-OUTSIDE HALF
34	26217		2,2	COVER,UPPER MOUNT-INSIDE HALF
35	24929		2,2	PACKING,"U" CUP
36	10-28773		4,4	SCREW,UPPER MOUNT COVER (1 5/8")
37	10-28775		4,4	SCREW,UPPER MOUNT COVER (2 1/8")
38	12-29245		AR,AR	WASHER,UPPER MOUNT COVER SCREW
39	11-29322		8,8	NUT,UPPER MOUNT COVER SCREW
40	12-30515		2,2	WASHER,UPPER MOUNT BOLT
41	12-30516		2,2	WASHER,RUBBER-UPPER MOUNT BOLT
42	12-30514		2,2	WASHER,UPPER MOUNT BOLT
43	11-22178		2,2	NUT,UPPER MOUNT BOLT
44	37397		2,2	MOUNT,RUBBER-LOWER
45	10-30452		2,2	SCREW,UPPER MOUNT (5 1/2")
46	11-25096		2,2	NUT,MOUNT SCREW
47	25067		2,2	BUMPER,RUBBER-MOUNTING SCREW
48	11-22178		2,2	NUT,GEAR HOUSING AND DRIVE SHAFT HOUSING STUDS
49	12-45176		2,2	WASHER,GEAR HOUSING TO DRIVE SHAFT HOUSING STUD(PART OF GEAR
50	11-29489		1,1	NUT,GEAR HOUSING AND DRIVE SHAFT HOUSING STUDS
51	12-45176		1,1	WASHER,GEAR HOUSING TO DRIVE SHAFT HOUSING STUDS(PART OF GEA
52	35608		2,2	CLAMP,LOWER MOUNT TO DRIVE SHAFT HOUSING
53	24-35522		4,4	SPRING,TENSION-LOWER MOUNT CLAMP
54	10-29256		4,4	SCREW,LOWER MOUNT CLAMP TO DRIVE SHAFT HOUSING
55	35474		2,2	COVER,LOWER MOUNT CLAMP
56	11-35521		2,2	NUT,LOWER MOUNT CLAMP COVER
57	10-29722		2,2	SCREW,COVER TO LOWER CLAMP MOUNT

GEAR HOUSING ASSEMBLY, COMPLETE

REF. NO.	PART NO.	SYM.	QTY.	DESCRIPTION
-	1623-2460A3		1,	GEAR HOUSING ASSEMBLY, COMPLETE (SHORT SHAFT) - SEE NOTE BELOW
-	1623-2460A2		1,	GEAR HOUSING ASSEMBLY, COMPLETE (LONG SHAFT) - SEE NOTE BELOW
-	1623-2460A17		,1	#GEAR HOUSING ASSEMBLY, COMPLETE (SHORT SHAFT) - SEE NOTE BELOW SERIAL 00000000-01966151
-	1623-2460A16		,1	#GEAR HOUSING ASSEMBLY, COMPLETE (LONG SHAFT) - SEE NOTE BELOW SERIAL 00000000-01966151
-	1623-2460A24		,1	GEAR HOUSING ASSEMBLY, COMPLETE (SHORT SHAFT) - SEE NOTE BELOW SERIAL 01966152-09999999
-	1623-2460A25		,1	GEAR HOUSING ASSEMBLY, COMPLETE (LONG SHAFT) - SEE NOTE BELOW SERIAL 01966152-09999999
1	1623-2460A4		1,1	#GEAR HOUSING ASSEMBLY SERIAL 00000000-01966151
	1623-2460A20		,1	GEAR HOUSING ASSEMBLY SERIAL 01966152-09999999
2	16-30661		1,1	#STUD, GEAR HOUSING TO DRIVE SHAFT HOUSING (3 15/16") SERIAL 00000000-01966151
	16-45199		,1	STUD, GEAR HOUSING TO DRIVE SHAFT HOUSING (4") SERIAL 01966152-09999999
3	16-29078		1,1	#STUD, GEAR HOUSING TO DRIVE SHAFT HOUSING (1 31/32") SERIAL 00000000-01966151
	16-45198		,1	STUD, GEAR HOUSING TO DRIVE SHAFT HOUSING (2 1/16") SERIAL 01966152-09999999
4	16-36292		1,1	STUD, WATER PUMP BASE AND BODY TO GEAR HOUSING (3 3/8")
5	16-37435		2,2	STUD, WATER PUMP BASE AND BODY TO GEAR HOUSING (3 5/16")
6	31-32898		1,1	BEARING, ROLLER-DRIVE SHAFT
7	45-38459		1,1	DRIVING SHAFT (SHORT SHAFT)
	45-38460		1,1	DRIVE SHAFT (LONG SHAFT)
8	43-31419		1,1	GEAR, PINION-DRIVE SHAFT
9	11-30932		1,1	NUT, PINION GEAR TO DRIVE SHAFT
10	15-30278A1		AR, AR	SHIM, DRIVE SHAFT BALL BEARING TO GEAR HOUSING
11	30-20464		1,1	BEARING, BALL-DRIVE SHAFT
12	53-30726		1,1	RING, RETAINING-BALL BEARING
10	15-30278A1		AR, AR	SHIM, WATER PUMP BASE TO GEAR HOUSING
13	27-32438		1,1	GASKET, WATER PUMP BASE TO GEAR HOUSING
14	25-30224		1,1	"O" RING, WATER PUMP BASE
15	46-35976A1		1,	WATER PUMP BASE ASSEMBLY SERIAL 00000000-01889735
	46-38931A1		1,1	WATER PUMP BASE ASSEMBLY SERIAL 01889736-09999999
16	26-31489		1,1	OIL SEAL, WATER PUMP BASE
17	26-31507		1,1	OIL SEAL, WATER PUMP BASE
18	17-35973		2,2	DOWEL PIN, WATER PUMP BASE TO WATER PUMP BODY
19	27-32433		1,1	GASKET, LOWER-WATER PUMP BASE TO FACE PLATE
20	32435		1,1	PLATE, FACE-WATER PUMP BASE TO WATER PUMP BODY

CONTINUED ON NEXT PAGE ➡

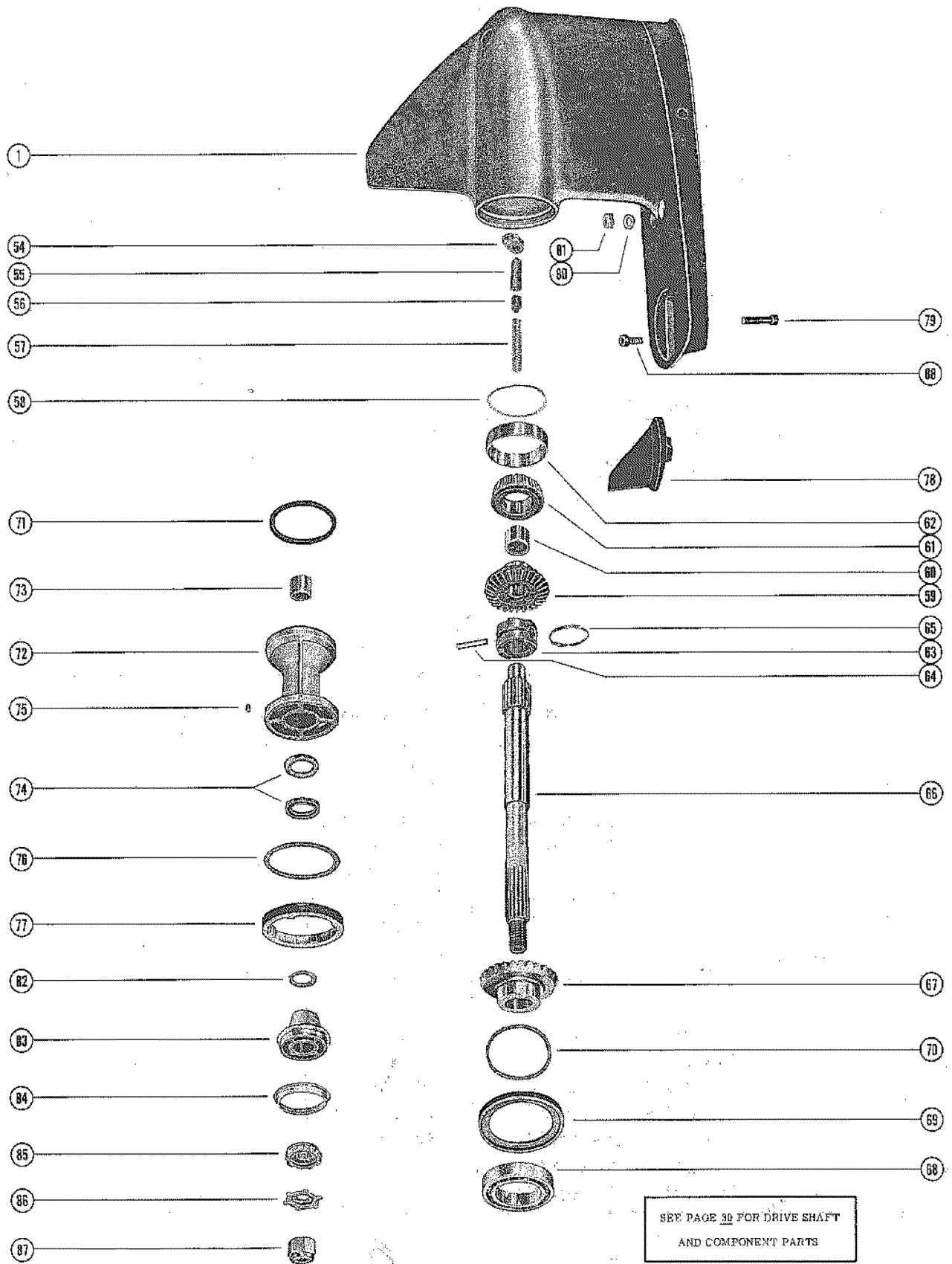
GEAR HOUSING ASSEMBLY, COMPLETE



GEAR HOUSING ASSEMBLY, COMPLETE

REF. NO.	PART NO.	SYM.	QTY.	DESCRIPTION
21	27-32434		1,1	GASKET,UPPER-FACE PLATE TO WATER PUMP BODY
22	46-37433A1		1,1	WATER PUMP BODY ASSEMBLY
23	30915		1,1	INSERT,WATER PUMP BODY
24	26-31507		1,1	OIL SEAL,WATER PUMP BODY
25	12-36446		1,1	WASHER,NYLON-WATER INLET TUBE SERIAL 00000000-02014592
26	26-36557		,1	SEAL,RUBBER-WATER INLET TUBE SERIAL 00000000-02014592
	26-38970		1,1	SEAL,RUBBER-WATER INLET TUBE SERIAL 02014593-09999999
27	47-30221		1,1	IMPELLER,WATER PUMP
28	17-29967		1,1	PIN,IMPELLER DRIVE
29	10-30720		1,1	SCREW,WATER PUMP BODY GEAR HOUSING(1/4")
30	13-26992		3,3	LOCKWASHER,WATER PUMP BODY FASTENING SCREW AND STUDS (1/4")
31	11-29598		2,2	NUT,WATER PUMP BODY FASTENING STUDS(1/4")
32	13-26993		1,1	LOCKWASHER,WATER PUMP BODY FASTENING STUD(5/16")
33	11-28770		1,1	NUT,WATER PUMP BODY FASTENING STUD(5/16")
34	25-30271		1,1	RING,RUBBER-CENTRIFUGAL SLINGER(DRIVE SHAFT)
35	23-29804		1,1	SLEEVE,GUIDE-WATER INLET TUBE
36	25-30613		1,1	"O" RING,UPPER-DRIVE SHAFT
37	37641		1,1	SEAL,EXHAUST TUBE
38	38051		1,1	PLATE,SUPPORT-EXHAUST TUBE SEAL
39	37432		1,1	SHAFT,SHIFT-LOWER
40	18-20233		1,1	CLIP,RETAINING-SHIFT SHAFT
41	25-25439		1,1	"O" RING,SHIFT SHAFT BUSHING
42	23-37428A1		1,1	BUSHING ASSEMBLY,SHIFT SHAFT
43	26-31249		1,1	OIL SEAL,SHIFT SHAFT BUSHING
44	12-31266		1,1	WASHER,RUBBER-SHIFT SHAFT BUSHING
45	37422		1,	CAM,LOWER-REVERSE LOCKING
46	37421		1,	CAM,DRIVE-REVERSE LOCKING
47	37420		1,	CAM,UPPER-REVERSE LOCKING
45A	39019		,1	SPACER,LOWER-REVERSE LOCKING
46A	39021		,1	CAM,REVERSE LOCKING
47A	39020		,1	GUIDE,PUSH ROD-REVERSE LOCKING
48	22-21290		1,1	PLUG,PIPE-SHIFT SHAFT GREASE FILLER HOLE
49	10-28634		2,2	SCREW,GREASE FILLER AND VENT HOLE
50	12-20260		2,2	WASHER,GREASE FILLER AND VENT HOLE SCREW
51	10-29608		1,1	SCREW,GEAR HOUSING FLUSHING HOLE
52	27-29586		1,1	GASKET,GEAR HOUSING FLUSHING HOLE SCREW
53	26-29612		1,1	SEAL,GEAR HOUSING FLUSHING HOLE

GEAR HOUSING ASSEMBLY, COMPLETE

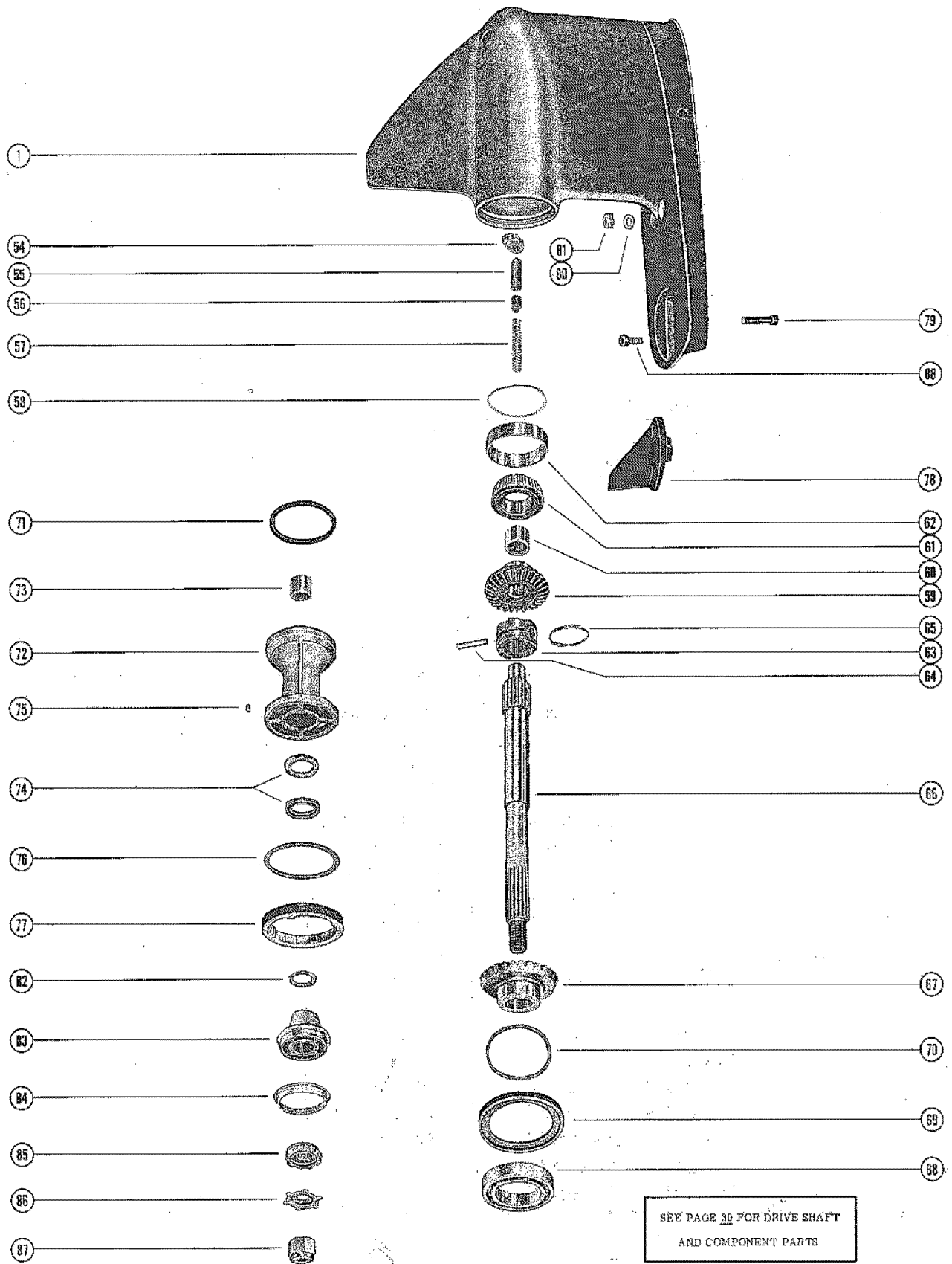


GEAR HOUSING ASSEMBLY,COMPLETE

REF. NO.	PART NO.	SYM.	QTY.	DESCRIPTION
-	1623-2460A3		1,	GEAR HOUSING ASSEMBLY,COMPLETE(SHORT SHAFT)-SEE NOTE BELOW
-	1623-2460A2		1,	GEAR HOUSING ASSEMBLY,COMPLETE(LONG SHAFT) -SEE NOTE BELOW
-	1623-2460A17		,1	#GEAR HOUSING ASSEMBLY,COMPLETE(SHORT SHAFT)-SEE NOTE BELOW SERIAL 00000000-01966151
-	1623-2460A16		,1	#GEAR HOUSING ASSEMBLY,COMPLETE(LONG SHAFT) -SEE NOTE BELOW SERIAL 00000000-01966151
-	1623-2460A24		,1	GEAR HOUSING ASSEMBLY,COMPLETE(SHORT SHAFT) -SEE NOTE BELOW SERIAL 01966152-09999999
-	1623-2460A25		,1	GEAR HOUSING ASSEMBLY,COMPLETE(LONG SHAFT) -SEE NOTE BELOW SERIAL 01966152-09999999
1	1623-2460A4		1,1	#GEAR HOUSING ASSEMBLY-SEE PAGE 30 FOR PARTS BREAKDOWN SERIAL 00000000-01966151
	1623-2460A20		,1	GEAR HOUSING ASSEMBLY -SEE PAGE 30 FOR PARTS BREAKDOWN SERIAL 01966152-09999999
54	36288		1,1	CAM,SHIFT
55	30625		1,1	FOLLOWER,CAM
56	30624		1,1	SLIDE,CROSS PIN
57	24-30622		1,1	SPRING,COMPRESSION-CAM FOLLOWER
58	15-30923A1		AR,AR	SHIM,BEARING OUTER RACE TO GEAR HOUSING
-	43-31884A1		1,	FORWARD GEAR ASSEMBLY,COMPLETE
-	43-34085A1		,1	FORWARD GEAR ASSEMBLY,COMPLETE
59	43-31886		1,	FORWARD GEAR ASSEMBLY
	43-34085		,1	FORWARD GEAR ASSEMBLY
60	31-30895		1,1	BEARING,ROLLER-FORWARD GEAR
61	31-30894A1		1,1	TAPERED ROLLER BEARING ASSEMBLY
62	31-31092		1,1	CUP,TAPERED ROLLER BEARING
63	52-34239		1,1	RATCHET,SLIDING CLUTCH
64	17-30632		1,1	PIN,CROSS-RATCHET TO PROPELLER SHAFT
65	24-30893		1,1	SPRING,RETAINING-CROSS PIN
66	44-30944		1,1	SHAFT,PROPELLER
-	43-31877A1		1,1	REVERSE GEAR ASSEMBLY,COMPLETE
67	43-31887		1,1	REVERSE GEAR ASSEMBLY
68	30-31265		1,1	BEARING,BALL-REVERSE GEAR
69	12-30633		1,1	WASHER,THRUST-BEARING CARRIER TO GEAR HOUSING
70	15-29955A1		AR,AR	SHIM,THRUST WASHER TO GEAR HOUSING
71	25-29976		1,1	"O" RING,BEARING CARRIER
72	31284A1		1,1	BEARING CARRIER ASSEMBLY
73	31-30956		1,1	BEARING,ROLLER-BEARING CARRIER
74	26-30550		2,2	OIL SEAL,BEARING CARRIER
75	28-30281		1,1	KEY,LOCATING-BEARING CARRIER
76	12-29957		1,1	WASHER,GEAR HOUSING COVER
77	31037		1,1	COVER,GEAR HOUSING

CONTINUED ON NEXT PAGE ➡

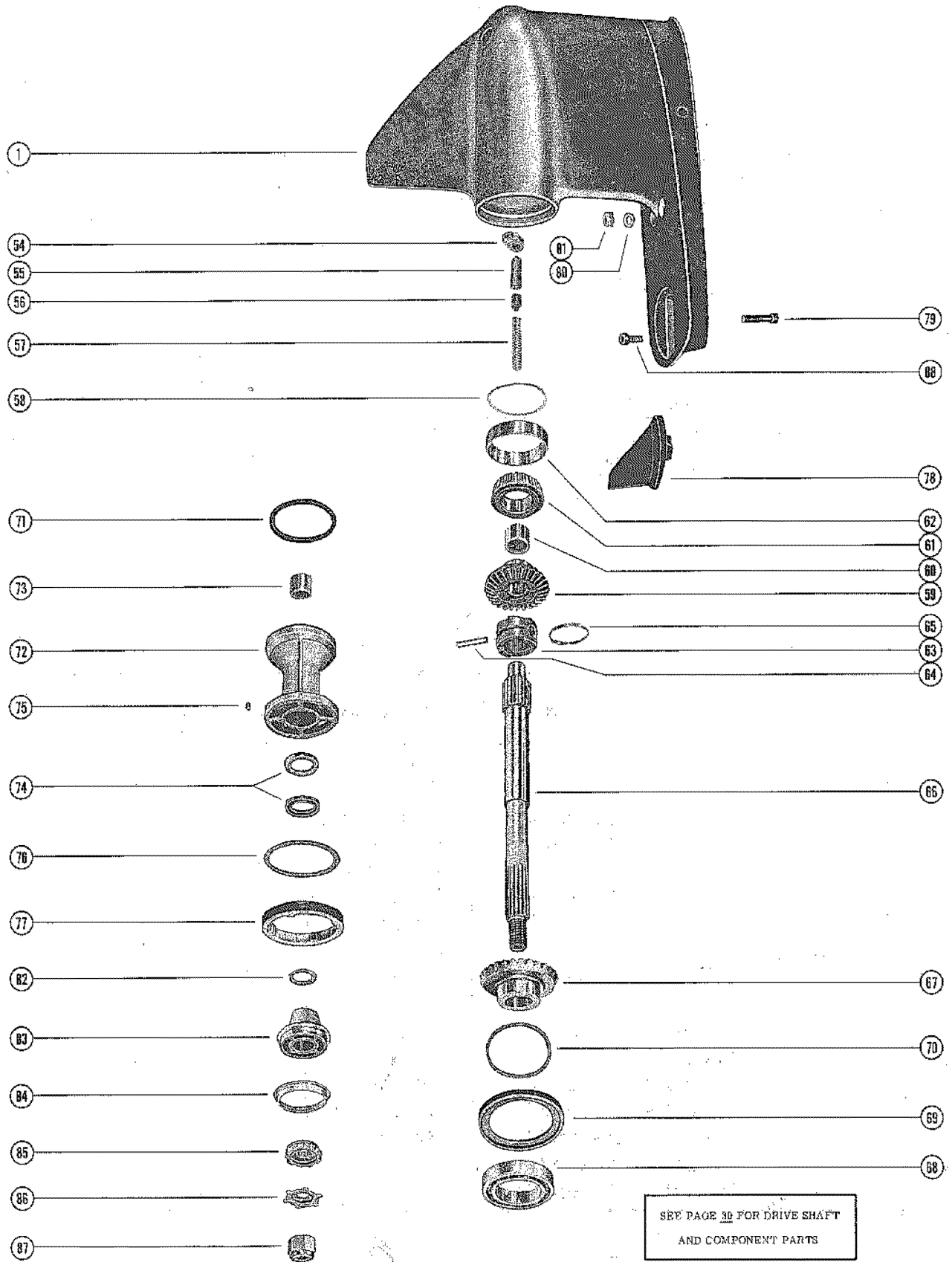
GEAR HOUSING ASSEMBLY, COMPLETE



GEAR HOUSING ASSEMBLY, COMPLETE

REF. NO.	PART NO.	SYM.	QTY.	DESCRIPTION
78	31640		1,1	TRIM TAB, GEAR HOUSING
79	10-32470		1,1	SCREW, TRIM TAB TO GEAR HOUSING (1 3/4")
80	12-45176		,2	WASHER, GEAR HOUSING TO DRIVE SHAFT HOUSING STUDE
81	11-22178		2,2	NUT, GEAR HOUSING TO DRIVE SHAFT HOUSING STUDS
82	12-31013		1,1	WASHER, THRUST-BEARING CARRIER
83	30581A1		1,1	THRUST HUB AND WASHER ASSEMBLY
84	12-29590		1,1	WASHER, CUPPED-THRUST HUB
85	12-31211		1,1	WASHER, SPLINED-PROPELLER NUT
86	14-31210		1,1	TAB WASHER, PROPELLER NUT
87	11-29594		1,1	NUT, PROPELLER
88	10-30206		1,1	SCREW, GEAR HOUSING TO DRIVE SHAFT HOUSING (1")

REVERSE HOOK KIT



REVERSE HOOK KIT

REF. NO.	PART NO.	SYM.	QTY.	DESCRIPTION
-	39015A3		,1	REVERSE HOOK KIT(SHORT SHAFT)
-	39015A2		1,	REVERSE HOOK KIT(LONG SHAFT)
43	39015A1		1,1	REVERSE LOCK ASSEMBLY
10	17-39023		1,1	PIN,PUSH ROD TO REVERSE LOCK
5	18-25191		1,1	COTTER PIN,PUSH ROD TO REVERSE LOCK
7	39018		,1	ROD,PUSH(SHORT SHAFT)
	39017		1,	ROD,PUSH(LONG SHAFT)
8	11-29250		1,1	NUT,JAM-PUSH ROD
9	39022		1,1	YOKE,PUSH ROD
47A	39020		1,1	GUIDE,PUSH ROD-REVERSE LOCKING
46A	39021		1,1	CAM,REVERSE LOCK
45A	39019		1,1	SPACER,LOWER-REVERSE LOCKING
45	18-20209		1,1	COTTER IN,REVERSE LOCK TO SHAFT
42	24-29821		1,1	SPRING,REVERSE LOCK TENSION

PARTS INDEX

Part Number	Description	Pg.	Ref. No.	Part Number	Description	Pg.	Ref. No.
20119	PROTECTOR, SPARK PLUG	13	16	29788	FLANGE, FLYWHEEL		
20140	BELT, TIMING	11	30		PULLEY	9	8
20208	SHAFT, REVERSE LOCK			29906A1	DRIVEN PULLEY ASSEMBLY	11	24
	PIVOT	41	44	29907	FLANGE, DRIVEN PULLEY	11	26
22463	KNOB, CHOKE ROD	23	9	30050	TERMINAL, CHOKE		
22789	"D" WASHER, CLIP				SOLENOID LEAD	23	2
	FASTENING SCREW	9	16	30050	TERMINAL, HARNESS AND		
22789	"D"WASHER, CLIP				SWITCH LEADS	17	2
	FASTENING SCREW	13	11	30050	TERMINAL, STATOR LEAD		
23004	RETAINER, CHECK VALVE	27	4		WIRE	9	12
23004	RETAINER, CHUCK VALVE	27	4	30126A1	TILT STOP LEVER		
23014	DIAPHRAGM, FUEL PUMP	27	7		ASSEMBLY	39	18
23014	DIAPHRAGM,FUEL PUMP	27	7	30186	ADAPTOR, CHECK UNIT		
23760	BAFFLE, BOTTOM COWL	35	13		(FUEL LINE)	27	27
24929	PACKING,"U" CUP	45	35	30187	STEM, CHECK UNIT		
25067	BUMPER,RUBBER-				ADAPTOR	27	28
	MOUNTING SCREW	45	47	30188	CUP WASHER, ADAPTOR	27	31
25596	CABLE, WIRE - SOLENOID			30212	BLOCK, TERMINAL -		
	TO STARTER MOTOR	17	25		EXHAUST COVER	17	7
25996A1	SWIVEL AND LINK ROD			30269A2	FUEL PUMP ASSEMBLY-		
	ASSEMBLY	13	25		UPPER	27	1
26079	PLATE, WIRING HARNESS			30275	COVER, FUEL PUMP	27	9
	TO BOTTOM COWL	17	3	30306	PULLEY, FLYWHEEL	9	9
26113	RACE, OUTER (PAIR)	33	14	30408	ADAPTOR, MAGNETO	11	14
26217	COVER,UPPER MOUNT-			30412	HANDLE, COWL LATCH	7	13
	INSIDE HALF	45	34	30413	HOOK, COWL LATCH		
26218	COVER,UPPER MOUNT-				FASTENING	7	17
	OUTSIDE HALF	45	33	30414	SWIVEL, COWL LATCH	7	16
26852	CAP, NYLON - ADJUSTING			30434A1	MAGNETO PILOT		
	SCREW	13	7		ASSEMBLY	11	2
26903A4	REVERSE LOCK ASSEMBLY(30461A2	FUEL PUMP ASSEMBLY-		
	NOT AS SHOWN)	41	43		LOWER	27	8
27031A4	PLUNGER AND LINK			30498	CAP, PLASTIC - TILT TUBE	39	7
	ASSEMBLY, CHOKE			30581A1	THRUST HUB AND WASHER		
	SOLENOID	23	6		ASSEMBLY	53	83
27947	SWIVEL, LINKAGE -			30624	SLIDE,CROSS PIN	51	56
	ECONOMIZER COLLAR	13	24	30625	FOLLOWER,CAM	51	55
27947	SWIVEL, UPPER LINK ROD			30915	INSERT,WATER PUMP		
	TO THROTTLE CONTROL				BODY	49	23
	LEVER	13	28	31014	MOUNT, RUBBER - REAR		
27948	SWIVEL, UPPER LINK ROD				SUPPORT BRACKET	3	28
	TO THROTTLE CONTROL			31037	COVER,GEAR HOUSING	51	77
	LEVER	15	36	31095	STRIP, SOUND - LOWER		
27955	CAP, MAGNETO ADAPTOR				SECTION	7	10
	AND PILOT FASTENING	11	22	31283A1	SHIM, UPPER END CAP TO		
28007A6	THROTTLE PICK-UP				CRANKCASE	29	5
	BRACKET ASSEMBLY	23	26	31284A1	BEARING CARRIER		
28016A1	GROUND STRAP ASSY,				ASSEMBLY	51	72
	SOLENOID TO STARTER			31288	COVER, TRANSFER PORT	31	46
	MOTOR	17	24	31404	SHUTTER, CHOKE-		
28203	BUMPER, STEERING ARM	39	27		CARBURETOR	23	16
28205	STRAP STOP, DRIVE SHAFT			31640	TRIM TAB,GEAR HOUSING	53	78
	HOUSING TO SWIVEL			31775	YOKE, BOTTOM (LONG		
	BRACKET	41	36		SHAFT)	41	39
28403A3	THUMB SCREW ASSEMBLY	39	2	31935	BLANKET, SOUND		
29277	PLATE, THROTTLE STOP	13	1		ABSORBING - WRAP		
29359	LUBRICAP, SWIVEL				AROUND COWL	7	21
	BRACKET GREASE			32362	KNOB, COWL FRONT		
	FITTING	39	25		COVER FASTENING	7	4
29787	HUB, FLYWHEEL PULLEY	9	10				

PARTS INDEX

Part Number	Description	Pg.	Ref. No.	Part Number	Description	Pg.	Ref. No.
32445	SOLENOID, STARTER	17	20	37440	BRACKET, MOUNT		
32970	RECTIFIER ASSEMBLY	17	28		SUPPORT-CYLINDER		
33020	STOP, SPARK ADVANCE -				BLOCK	31	49
	MAGNETO PILOT	11	5	37442	LEVER, THROTTLE		
33147A1	THROTTLE ACTUATOR				CONTROL	13	29
	ASSEMBLY	11	11	37443	ROD, PUSH-REVERSE LOCK		
33148	CLUSTER, THROTTLE				(LONG SHAFT)	43	3
	LEVER (UPPER			37447	PLATE,BAFFLE-EXHAUST		
	CARBURETOR)	23	28	37458	MANIFOLD	29	35
33385A1	SWITCH, MERCURY	29	39	37461	BRACKET, TOP COWL		
35474	COVER,LOWER MOUNT				SUPPORT - REAR	3	27
	CLAMP	45	55	37461	ROD, PUSH-REVERSE		
35496	PAD, BUMPER - TOP COWL				LOCK(SHORT SHAFT)	43	3
	HANDLE	3	5	37569	SHIELD, TOP COWL - REAR	3	16
35552	SEAL, SOUND - UPPER			37585	CHOKE SOLENOID	23	1
	SECTION	7	11	37587	SWIVEL, LOWER -		
35608	CLAMP,LOWER MOUNT TO				THROTTLE CONTROL		
	DRIVE SHAFT HOUSING	45	52		LEVER TO THROTTLE		
35610A1	ECONOMIZER COLLAR AND				CABLE	15	45
	PIN ASSEMBLY	11	8	37588	ROD, LINK - UPPER	13	27
36288	CAM,SHIFT	51	54	37590	ROD, CHOKE	23	14
37331	PLATE, SPACER - STARTER			37591	"U" LINK, SHOKE KNOB TO		
	MOTOR TO BRACKET	17	16		CHOKE ROD	23	11
37383	COVER, EXHAUST			37628	WIRING HARNESS,		
	MANIFOLD	29	37		INTERNAL	17	1
37396	MOUNT,RUBBER-UPPER	45	32	37629A9	CABLE ASSEMBLY, HIGH		
37397	MOUNT,RUBBER-LOWER	45	44		TENSION LEAD - SPARK		
37408	HANDLE, CHROME - TOP				PLUG (33")	13	15
	COWL	3	1	37637	BOOT, FUEL CONNECTOR -		
37409	FRAME, TOP COWL				BOTTOM COWL	35	15
	SUPPORT	3	24	37638	BOOT, CONTROL CABLES -		
37410A1	TRIM MOULDING				BOTTOM COWL	35	12
	ASSEMBLY, TOP COWL	3	11	37639	MOUNT, RUBBER - TOP		
37410A1	TRIM MOULDING				COWL FRAME	3	25
	ASSEMBLY, TOP COWL	3	11	37640	MOUNT, RUBBER - FRONT		
37411	BRACKET, COWL LATCH -				SUPPORT BRACKET	5	48
	TOP COWL FASTENING	3	21	37641	SEAL,EXHAUST TUBE	49	37
37412	LEVER, CLAMPING - TOP			37665	STRIP, RETAINING-TRIM		
	COWL MOUNTING	3	35		COVER SEAL(SIDE)	43	18
37415A1	TRIM MOULDING			37747	GROUND STRAP, STOP		
	ASSEMBLY, BOTTOM				BRACKET TO FRONT		
	COWL	35	2		SUPPORT BRACKET	13	4
37416A1	BRACKET ASSEMBLY, TOP			37824	BRACKET, SHIFT SHAFT		
	COWL SUPPORT - FRONT	5	41		HOLD DOWN	35	35
37417	COVER, TRIM - DRIVE			37896	GUIDE BLOCK, LINK ROD	37	45
	SHAFT HOUSING	43	13	37897	BRACKET, ANCHOR-		
37419	YOKE, BOTTOM (SHORT				CONTROL CABLES	37	41
	SHAFT)-SEE NOTE	41	39	37899	LINK ROD, SHIFT	37	38
37420	CAM,UPPER-REVERSE			37903	FLANGE, RUBBER - FRONT		
	LOCKING	49	47		TOP COWL SUPPORT		
37421	CAM,DRIVE-REVERSE				BRACKET	5	42
	LOCKING	49	46	37913	LEVER, CONTROL CABLE		
37422	CAM,LOWER-REVERSE				LOCKING - ANCHOR		
	LOCKING	49	45		BRACKET	37	50
37430A1	SHIFT SHAFT ASSESMBLY,			37918	SEAL, EXHAUST		
	UPPER (SHORT SHAFT)	37	37		EXTENSION PLATE	35	32
37431A1	SHIFT SHAFT ASSEMBLY,			37919	SEAL, TRIM COVER TO		
	UPPER (LONG SHAFT)	37	37		DRIVE SHAFT HOUSING	43	17
37432	SHAFT,SHIFT-LOWER	49	39	37920A1	COVER PLATE ASSEMBLY,		
					BOTTOM COWL	35	9

PARTS INDEX

Part Number	Description	Pg.	Ref. No.	Part Number	Description	Pg.	Ref. No.
37940	PAD, SOUND -COVER PLATE	35	10	N.S.S.	DECAL, COWL FRONT COVER - "MERC 650" (NOT AS SHOWN)	7	2
38032	STRIP, RETAINING- EXHAUST EXTENSION PLATE SEAL	35	33	N.S.S.	DECAL, FRONT COVER EMBLEM	7	3
38046	SPLICER, TRIM MOULDING, REAR	35	3	N.S.S.	DECAL, FRONT COVER EMBLEM	7	3
38051	PLATE,SUPPORT-EXHAUST TUBE SEAL	49	38	N.S.S.	DECAL, THROTTLE STOP PLATE (STOP ADJUSTMENTS)	13	2
38052	STRIP, RETAINING-TRIM COVER SEAL(REAR)	43	19	N.S.S.	DECAL, THROTTLE STOP PLATE (STOP ADJUSTMENTS)	13	2
38279	LATCH, CONTROL CABLE FASTENING-ANCHOR BRACKET	37	47	N.S.S.	DECAL, TOP COWL - MANUAL STARTING INSTRUCTIONS	3	10
38448	RETAINER, WATER TUBE SEAL	35	27	N.S.S.	DECAL, TOP COWL SHIELD - "MERC 650"	3	17
38468A4	PLATE ASSEMBLY, EXHAUST EXTENSION ..	35	24	N.S.S.	DECAL, TOP COWL SHIELD - "MERC 650"	3	17
38469	TUBE,EXHAUST(SHORT SHAFT)	43	25	N.S.S.	DECAL, TRIM COVER - PORT	43	14
38470	TUBE,EXHAUST(LONG SHAFT)	43	25	N.S.S.	DECAL, TRIM COVER - PORT NOT AS SHOWN ..	43	14
38674	BLANKET, SOUND ABSORBING - FRONT COVER	7	9	N.S.S.	DECAL, TRIM COVER- STARBOARD	43	15
38701	LEVER, THROTTLE CONTROL	15	37	N.S.S.	DECAL, TRIM COVER- STARBOARD NOT AS SHOWN	43	15
38747	BRACKET, SUPPORT - STARTER MOTOR	17	17	N.S.S.	DECAL, WRAP AROUND COWL - PORT	7	19
38802	CAPS, BRASS BARREL OF THROTTLE CABLE	37	42	N.S.S.	DECAL, WRAP AROUND COWL - PORT -NOT AS SHOWN	7	19
38961	HANDLE, COWL LATCH ...	7	13	N.S.S.	DECAL, WRAP AROUND COWL - REAR	7	20
38964	SWIVEL, COWL LATCH	7	16	N.S.S.	DECAL, WRAP AROUND COWL - STARBOARD ...	7	18
39015A1	REVERSE LOCK ASSEMBLY	41	43	N.S.S.	DECAL, WRAP AROUND COWL - STARBOARD -NOT AS SHOWN	7	18
39015A1	REVERSE LOCK ASSEMBLY	55	43	N.S.S.	SCREW, RETAINER TO HOUSING	27	5
39015A2	REVERSE HOOK KIT(LONG SHAFT)	55	-	N.S.S.	SCREW, RETAINER TO HOUSING	27	5
39015A3	REVERSE HOOK KIT(SHORT SHAFT)	55	-	N.S.S.	SCREW,CAP TO CONNECTING ROD	33	24
39017	ROD, PUSH-REVERSE LOCK (LONG SHAFT)	43	7	10-20037	SCREW, "U" LINK TO CHOKE KNOB	23	12
39017	ROD,PUSH(LONG SHAFT) .	55	7	10-20359	SCREW, CENTER MAIN BEARING LOCKING	29	22
39018	ROD, PUSH-REVERSE LOCK (SHORT SHAFT)	43	7	10-20362	SCREW, FRONT BRACKET TO TOP COWL FRAME (1 1/2")	5	46
39018	ROD,PUSH(SHORT SHAFT)	55	7	10-20401	SCREW, LEAD CLIP TO MAGNETO	13	10
39019	SPACER,LOWER-REVERSE LOCKING	49	45A	10-20540	SCREW, TRANSFER PORT COVER TO CYLINDER BLOCK (5/8")	31	47
39019	SPACER,LOWER-REVERSE LOCKING	55	45A				
39020	GUIDE,PUSH ROD-REVERSE LOCKING	49	47A				
39020	GUIDE,PUSH ROD-REVERSE LOCKING	55	47A				
39021	CAM,REVERSE LOCK	55	46A				
39021	CAM,REVERSE LOCKING ..	49	46A				
39022	YOKE, PUSH ROD	43	9				
39022	YOKE,PUSH ROD	55	9				
39561A1	MAGNETO PILOT ASSEMBLY	11	2				

PARTS INDEX

Part Number	Description	Pg.	Ref. No.	Part Number	Description	Pg.	Ref. No.
10-20847	SCREW, CLUSTER TO THROTTLE LEVER	23	29	10-28009	BOLT, CLAMP BRACKET TO BOAT TRANSOM	39	14
10-20847	SCREW, THROTTLE STOP LEVER	25	18	10-28200	SCREW, STRAP STOP TO DRIVE SHAFT HOUSING	41	37
10-20854	SCREW, FLOAT BOWL COVER (SHORT)	25	10	10-28405	SCREW, PLUG-MAIN FUEL JET CHANNEL	25	27
10-21091	SCREW,CYLINDER BLOCK COVER MOUNTING	31	43	10-28424	SCREW, LOWER SHOCK PIN (LONG SHAFT)	41	--
10-21106	SCREW, BAFFLE TO BOTTOM COWL	35	14	10-28450	SCREW, NYLOK - UPPER AND LOWER SHOCK MOUNTING PIN	41	49
10-22040	SCREW, FRONT SUPPORT BRACKET TO BOTTOM COWL (1 1/2")	5	44	10-28634	SCREW,GREASE FILLER AND VENT HOLE	49	49
10-22040	SCREW, MAGNETO ADAPTOR AND PILOT TO CRANKCASE	11	16	10-28635	SCREW, TRANSFER PORT COVER TO CYLINDER BLOCK (5/8")	31	47
10-22421	SCREW, EXTENSION PLATE TO DRIVE SHAFT HOUSING	35	29	10-28708	SCREW, MERCURY SWITCH TO MANIFOLD COVER	31	40
10-22698	SCREW, STARTER MOTOR TO CRANKCASE FLANGE	17	14	10-28773	SCREW,UPPER MOUNT COVER (1 5/8")	45	36
10-22966	SCREW, CENTER MAIN BEARING CLAMPING	33	16	10-28775	SCREW,UPPER MOUNT COVER (2 1/8")	45	37
10-23035	SCREW AND LOCKWASHER, THROTTLE SHUTTER	25	23	10-28846	SCREW,PLUG-MAIN NOZZLE	25	32
10-24234	SCREW, ANCHOR BRACKET TO CYLINDER BLOCK (1")	37	43	10-29182	SCREW, PRIMARY GROUND (#10)	19	10
10-24234	SCREW, BRACKET TO CYLINDER BLOCK (1")	31	50	10-29197	SCREW, WIRING HARNESS LEAD TO STARTER MOTOR	17	13
10-24234	SCREW, HANDLE TO TOP COWL (1")	3	7	10-29226	SCREW, DECORATIVE - MOULDING TO BOTTOM COWL	35	4
10-24933	SCREW, ADJUSTING - THROTTLE STOP	13	5	10-29226	SCREW, DECORATIVE - MOULDING TO TOP COWL	3	13
10-24963	SCREW, TRANSFER PORT COVER TO CYLINDER BLOCK (7/8")	31	47	10-29227	SCREW, BRASS - MOULDING TO TOP COWL	3	12
10-25299	SCREW, CHOKE SOLENOID	23	3	10-29239	SCREW, THROTTLE BRACKET MOUNTING	23	27
10-25313	SCREW, MAIN BEARING CLAMPING	33	5	10-29256	SCREW,LOWER MOUNT CLAMP TO DRIVE SHAFT HOUSING	45	54
10-25509	SCREW AND LOCKWASHER, CONDENSER FASTENING	19	30	10-29282	SCREW, THROTTLE STOP PLATE TO ADAPTOR (3/4")	13	3
10-25509	SCREW AND LOCKWASHER, SUPPORT TO FRAME	19	8	10-29418	SCREW, END CAP COVER FASTENING SCREW	21	41
10-25510	SCREW, SET - COIL BRIDGE	19	2	10-29418	SCREW,COVER TO FRAME	19	33
10-25517	SCREW, HIGH TENSION CABLE FASTENING	21	40	10-29465	SCREW, REED STOP MOUNTING	33	9
10-25612	SCREW, DRIVE-SERIAL PLATE TO SWIVEL BRACKET	41	34	10-29608	SCREW,GEAR HOUSING FLUSHING HOLE	49	51
10-25822	SCREW, STRAINER COVER FASTENING	25	17	10-29722	SCREW,COVER TO LOWER CLAMP MOUNT	45	57
10-25850	SCREW, FLOAT BOWL COVER (LONG)	25	11	10-29852	SCREW, HARNESS AND STATOR LEADS TO RECTIFIER	17	32
10-26065	SCREW, REAR SUPPORT BRACKET TO TOP COWL FRAME (1")	3	31	10-29878	SCREW, PUMP MOUNTING (1 1/2")-UPPER PUMP	27	11
10-26128	SCREW, WIRING HARNESS AND PLATE TO BOTTOM COWL	17	4	10-29911	SCREW, PULLEY CLAMPING	11	29

PARTS INDEX

Part Number	Description	Pg.	Ref. No.	Part Number	Description	Pg.	Ref. No.
10-30009	SCREW, HOLD DOWN BRACKET TO EXHAUST EXTENSION PLATE	37	36	10-37559	SCREW, THROTTLE LEVER TO EXHAUST COVER (1 3/4")	15	41
10-30009	SCREW, STATOR LEAD CLIP FASTENING (#10)	9	15	10-37560	SCREW, COWL LATCH BRACKET TO TOP COWL	3	22
10-30110	SCREW, PILOT ASSEMBLY TO MAGNETO	11	7	10-37561	SCREW, ADAPTOR TO BOTTOM COWL	27	32
10-30128	SCREW, TILT STOP LEVER ANCHOR	39	19	10-37561	SCREW, WIRING HARNESS SUPPORT TO BOTTOM COWL	35	17
10-30206	SCREW, GEAR HOUSING TO DRIVE SHAFT HOUSING(1")	53	88	10-37571	SCREW, SEAL AND STRIP TO EXHAUST EXTENSION PLATE	35	34
10-30225	SCREW, UPPER END CAP MOUNTING	29	6	10-37571	SCREW, TRIM COVER TO BOTTOM COWL	43	16
10-30225	SCREW, LOWER END CAP MOUNTING	29	30	10-37573	SCREW, RETAINING STRIP TO DRIVE SHAFT HOUSING(1/2")	43	21
10-30273	SCREW, PUMP MOUNTING (1 7/8")-LOWER PUMP	27	14	10-37646	SCREW, HIGH TENSION CLIP TO CRANKCASE (1/2")	13	19
10-30274	SCREW, PUMP MOUNTING (1 3/4")-UPPER PUMP	27	12	10-38036	SCREW, PUMP MOUNTING (1 1/2")-LOWER PUMP	27	13
10-30452	SCREW, UPPER MOUNT (5 1/2")	45	45	10-38055	SCREW, RETAINING STRIP TO DRIVE SHAFT HOUSING (5/8")	43	20
10-30453	BOLT, STEERING ARM TO UPPER MOUNT	39	28	10-38601	SCREW, EXHAUST TUBE TO EXHAUST EXTENSION PLATE	43	26
10-30663	SCREW, HARNESS LEADS TO TERMINAL BLOCK	17	8	10-38837	SCREW, BAFFLE PLATE AND COVER MOUNTING	29	38
10-30720	SCREW, WATER PUMP BODY GEAR HOUSING(1/4")	49	29	11-20061	NUT, CONNECTING ROD SCREW	33	25
10-31208	SCREW, SOLENOID TO STARTER MOTOR	17	21	11-20083	NUT, CLAMP BRACKET STUD	39	11
10-31830	SCREW, RIDE-GUIDE ATTACHING	41	31	11-20083	NUT, MAGNETO ADAPTOR AND PILOT FASTENING SCREW	11	18
10-32156	SCREW, FLEXIBLE PLATE TO FLY FLYWHEEL	9	5	11-20088	NUT, RUBBER MOUNT TO REAR BRACKET	3	30
10-32293	SCREW, CRANKCASE TO CYLINDER BLOCK (1 3/4")	29	16	11-20088	NUT, THROTTLE STOP ADJUSTING SCREW	13	6
10-32417	SCREW, PLATE AND HUB TO FLEXIBLE PLATE	9	6	11-20184	NUT, ADAPTOR FASTENING SCREW	27	33
10-32470	SCREW, TRIM TAB TO GEAR HOUSING(1 3/4")	53	79	11-20184	NUT, CHOKE ROD SPRING TO CARBURETOR STUD	23	24
10-32614	SCREW, STATOR TO UPPER END CAP	9	13	11-20184	NUT, COVER MOUNTING SCREW	31	44
10-33008	SCREW, CRANKCASE TO CYLINDER BLOCK (3 1/2")	29	17	11-20184	NUT, EXHAUST EXTENSION PLATE SCREW	35	30
10-33152	SCREW, TERMINAL BLOCK TO EXHAUST COVER	17	9	11-20184	NUT, LOWER SHOCK PIN SCREW (LONG SHAFT)	41	--
10-33860	SCREW, CRANKCASE TO CYLINDER BLOCK (2")	29	16	11-20184	NUT, MAIN BEARING CLAMPING SCREW	33	17
10-34439	SCREW, RETAINER TO EXTENSION PLATE (3/4")	35	28	11-20184	NUT, WIRING HARNESS SUPPORT SCREW	35	18
10-36351	SCREW, MAIN BEARING LOCKING	29	20	11-20361	NUT, CHROME HANDLE TO INSIDE HANDLE STUD	3	4
10-37370	SCREW, SHIELD TO TOP COWL (5/8")	3	18	11-20361	NUT, LINK ROD	37	49
10-37558	SCREW, REAR SUPPORT BRACKET TO BOTTOM COWL (1 1/4")	3	33				

PARTS INDEX

Part Number	Description	Pg.	Ref. No.	Part Number	Description	Pg.	Ref. No.
11-20361	NUT, THROTTLE CABLE TO LOWER SWIVEL	15	46	11-29250	NUT, CRANKCASE TO CYLINDER BLOCK SCREW	29	19
11-20361	NUT, UPPER LINK ROD TO THROTTLE CONTROL LEVER	15	40	11-29250	NUT, FRONT SUPPORT BRACKET SCREW	5	45
11-20509	NUT, RIDE-GUIDE ATTACHING SCREW	41	32	11-29250	NUT, JAM-PUSH ROD	43	8
11-20509	NUT, THROTTLE CONTROL LEVER SCREW	15	35	11-29250	NUT, LEVER ANCHOR SCREW	39	21
11-20509	NUT, THROTTLE CONTROL LEVER SCREW	15	44	11-29250	NUT, REAR SUPORT BRACKET SCREW	3	32
11-20509	NUT,POWERHEAD STUDS	43	29	11-29250	NUT,JAM-PUSH ROD	55	8
11-20645	NUT, SOLENOID TERMINAL (#10)	17	23	11-29250	NUT< CARBURETOR MOUNTING STUD	25	36
11-20645	NUT,PRIMARY GROUND SCREW	19	17	11-29322	NUT,EXHAUST TUBE SCREW	43	27
11-20890	NUT, STARTER MOTOR TERMINAL	17	12	11-29322	NUT,UPPER MOUNT COVER SCREW	45	39
11-20890	NUT, THRU BOLT - BRACKET TO STARTER MOTOR	17	19	11-29469	NUT, MAIN BEARING CLAMPING SCREW	33	6
11-21929	NUT, RECTIFIER MOUNTING SCREW	17	30	11-29469	NUT, REED STOP MOUNTING SCREW	33	10
11-22053	NUT, RUBBER MOUNT TO FRONT SUPPORT BRACKET	5	50	11-29488	NUT, HARNESS AND STATOR LEAD FASTENING SCREW	17	33
11-22178	NUT, STEERING ARM BOLT FASTENING	39	29	11-29489	NUT,GEAR HOUSING AND DRIVE SHAFT HOUSING STUDS	45	50
11-22178	NUT,GEAR HOUSING AND DRIVE SHAFT HOUSING STUDS	45	48	11-29594	NUT,PROPELLER	53	87
11-22178	NUT,GEAR HOUSING TO DRIVE SHAFT HOUSING STUDS	53	81	11-29598	NUT,WATER PUMP BODY FASTENING STUDS(1/4")	49	31
11-22178	NUT,UPPER MOUNT BOLT	45	43	11-30499	NUT, TILT TUBE FASTENING	39	6
11-22339	NUT, FLYWHEEL	9	1	11-30932	NUT,PINION GEAR TO DRIVE SHAFT	47	9
11-23161	NUT,POWERHEAD STUDS	43	28	11-35521	NUT,LOWER MOUNT CLAMP COVER	45	56
11-24656	NUT,LOCK-PRIMARY GROUND SCREW	19	16	11-37424	NUT, SWIVEL PIN RETAINING (SHORT SHAFT)SEE NOTE	41	40
11-25096	NUT,MOUNT SCREW	45	46	11-37556	NUT, COWL HATCH BRACKET SCREW	3	23
11-25168	NUT, UPPER LINK ROD ADJUSTING	13	26	11-F2008	NUT, SOLENOID TERMINAL (5/16)	17	27
11-25269	NUT, STRAP STOP FASTENING SCREW	41	38	12-20084	WASHER, GROUND STRAP AND CRANKCASE SCREW	29	18
11-26419	NUT, BRASS - MOULDING FASTENING SCREW	35	8	12-20084	WASHER, MAGNETO ADAPTOR AND PILOT SCREW	11	17
11-26419	NUT, MOULDING FASTENING SCREW	3	15	12-20086	WASHER,POWERHEAD STUDS	43	30
11-28010	NUT, CLAMP BRACKET BOLT	39	16	12-20260	WASHER,GREASE FILLER AND VENT HOLE SCREW	49	50
11-28202	NUT, SWIVEL PIN RETAINING (LONG SHAFT)	41	40	12-20346	WASHER, RUBBER MOUNT STUD	3	--
11-28770	NUT,WATER PUMP BODY FASTENING STUD(5/16")	49	33	12-20533	WASHER, CHROME HANDLE TO INSIDE HANDLE STUD	3	2
11-29225	NUT, NYLON CAP - MOULDING FASTENING SCREW	35	6	12-20546	WASHER, PUSH ROD	43	4
11-29236	NUT, PRIMARY LEAD FASTENING	19	25	12-20583	WASHER, HIGH TENSION CLIP SCREW	13	20

PARTS INDEX

Part Number	Description	Pg.	Ref. No.	Part Number	Description	Pg.	Ref. No.
12-21631	WASHER, CONTROL CABLE LATCH LINK ROD	37	48	12-31211	WASHER, SPLINED-PROPELLER NUT	53	85
12-22937	WASHER, TRANSFER PORT COVER SCREW	31	48	12-31266	WASHER, RUBBER-SHIFT SHAFT BUSHING	49	44
12-24671	WASHER, FIBER-MOULDING FASTENING SCREW	35	5	12-31815	WASHER, SWIVEL PIN - LOWER (TOP WASHER OPTIONAL)-LONG SHAFT	41	30
12-26014	WASHER, PRIMARY GROUND SCREW	19	15	12-33001	WASHER, FLYWHEEL NUT	9	2
12-27129	WASHER, COVER FASTENING KNOB (STEEL)	7	6	12-36446	WASHER, NYLON - WATER INLET TUBE -	35	25
12-27939	WASHER, MAGNETO PILOT	11	19	12-36446	WASHER, NYLON-WATER INLET TUBE	49	25
12-28008	WASHER, CLAMP BRACKET BOLT	39	15	12-37429	WASHER, SWIVEL PIN - LOWER (TOP WASHER OPTIONAL)-SHORT SHAF	41	30
12-28196	WASHER, UPPER BUSHING RETAINER (INNER)	41	47	12-37905	WASHER, NYLON - LINK ROD	37	46
12-28264	WASHER, LOWER BUSHING RETAINER (INNER)	41	48	12-38006	WASHER, CLAMPING LEVER	3	37
12-28404	WASHER, THUMB SCREW	39	3	12-45176	WASHER, GEAR HOUSING TO DRIVE SHAFT HOUSING STUD(PART OF GEAR	45	49
12-28421	WASHER, UPPER AND LOWER BUSHING RETAINER (OUTER)	41	50	12-45176	WASHER, GEAR HOUSING TO DRIVE SHAFT HOUSING STUDE	53	80
12-29099	WASHER, INSULATING-PRIMARY GROUND SCREW	19	13	12-45176	WASHER, GEAR HOUSING TO DRIVE SHAFT HOUSING STUDS(PART OF GEA	45	51
12-29245	WASHER, THROTTLE CONTROL LEVER SWIVEL	15	38	13-23836	LOCKWASHER, COIL TERMINAL	19	20
12-29245	WASHER, UPPER MOUNT COVER SCREW	45	38	13-24669	LOCKWASHER, THRU BOLT - BRACKET TO STARTER MOTOR	17	18
12-29395	WASHER, THROTTLE CONTROL LEVER SCREW	13	31	13-25806	WASHER, WAVE - THROTTLE CONTROL LEVER SWIVEL	15	39
12-29395	WASHER, THROTTLE CONTROL LEVER SCREW	15	42	13-26992	LOCKWASER, STARTER MOTOR TERMINAL	17	11
12-29590	WASHER, CUPPED-THRUST HUB	53	84	13-26992	LOCKWASHER, RUBBER MOUNT TO REAR SUPPORT BRACKET	3	29
12-29681	WASHER, NEEDLE LOCATING	33	28	13-26992	LOCKWASHER, WATER PUMP BODY FASTENING SCREW AND STUDS (1/4")	49	30
12-29957	WASHER, GEAR HOUSING COVER	51	76	13-26993	LOCKWASER, HANDLE TO TOP COWL SCREW	3	8
12-30164	WASHER, CHOKE SHUTTER CARBURETOR STUD	23	18	13-26993	LOCKWASER, SOLENOID TERMINAL (5/16)	17	26
12-30164	WASHER, PLUNGER AND LINK	23	7	13-26993	LOCKWASHER, CHOKE SOLENOID SCREW	23	4
12-30164	WASHER, RETAINING STRIP SCREW	43	22	13-26993	LOCKWASHER, CLAMP BRACKET STUD	39	10
12-30267	WASHER, PRIMARY GROUND TERMINAL	19	11	13-26993	LOCKWASHER, FRONT SUPPORT BRACKET SCREW	5	47
12-30514	WASHER, UPPER MOUNT BOLT	45	42	13-26993	LOCKWASHER, REAR SUPPORT BRACKET SCREW	3	34
12-30515	WASHER, UPPER MOUNT BOLT	45	40				
12-30516	WASHER, RUBBER-UPPER MOUNT BOLT	45	41				
12-30633	WASHER, THRUST-BEARING CARRIER TO GEAR HOUSING	51	69				
12-30771	WASHER, COVER FASTENING KNOB (RUBBER)	7	5				

PARTS INDEX

Part Number	Description	Pg.	Ref. No.	Part Number	Description	Pg.	Ref. No.
13-26993	LOCKWASHER, RUBBER MOUNT TO FRONT SUPPORT BRACKET	5	49	16-26135	STUD, CYLINDER BLOCK TO DRIVE SHAFT HOUSING (2 5/16")	29	14
13-26993	LOCKWASHER, STARTER MOTOR FASTENING SCREW	17	15	16-29078	#STUD, GEAR HOUSING TO DRIVE SHAFT HOUSING(1 31/32")	47	3
13-26993	LOCKWASHER, WATER PUMP BODY FASTENING STUD(5/16")	49	32	16-29230	STUD, PRIMARY LEAD AND TENSION SPRING	19	24
13-26995	LOCKWASHER, MOULDING FASTENING SCREW	3	14	16-30172	STUD, CARBURETOR-CHOKE SHUTTER PIVOT	23	17
13-26995	LOCKWASHER, MOULDING FASTENING SCREW	35	7	16-30661	#STUD, GEAR HOUSING TO DRIVE SHAFT HOUSING(3 15/16")	47	2
13-26996	LOCKWASER, SOLENOID TERMINAL (#10)	17	22	16-30929	STUD, DRIVE SHAFT HOUSING TO GEAR HOUSING	43	2
13-26996	LOCKWASHER, PULLEY CLAMPING SCREW	11	28	16-35099	STUD, CARBURETOR MOUNTING (1 1/4")	29	11
13-26996	LOCKWASHER,"U" LINK SCREW	23	13	16-36292	STUD, WATER PUMP BASE AND BODY TO GEAR HOUSING(3 3/8")	47	4
13-27959	WASHER, WAVE - MAGNETO BALL BEARING TENSION	11	21	16-37435	STUD, WATER PUMP BASE AND BODY TO GEAR HOUSING(3 5/16")	47	5
13-29720	WASHER, WAVE-LINK ROD	37	39	16-37653	STUD CYLINDER BLOCK TO DRIVE SHAFT HOUSING (2 11/16")	29	15
13-31030	WASHER, WAVE - LEVER ANCHOR SCREW	39	20	16-45198	STUD, GEAR HOUSING TO DRIVE SHAFT HOUSING (2 1/16")	47	3
13-37371	LOCKWASER, SHIELD SCRE	3	19	16-45199	STUD, GEAR HOUSING TO DRIVE SHAFT HOUSING (4")	47	2
13-37642	WASHER, WAVE - THROTTLE CONTROL LEVER SCREW	13	34	17-20032	DOWEL PIN, CYLINDER BLOCK TO MAIN BEARING	29	8
14-20091	TAB WASHER, BEARING LOCKING SCREW	29	21	17-20032	DOWL PIN, CENTER MAIN BEARING	33	12
14-27960	TAB WASHER, ADAPTOR CAP FASTENING	11	20	17-20032	DOWL PIN, MAIN BEARING .	33	4
14-29157	TAB WASHER, COVER FASTENING SCREW	19	34	17-20033	DOWEL PIN, CRANKCASE TO CYLINDER BLOCK . . .	29	9
14-29157	TAB WASHER, COVER FASTENING SCREW	21	42	17-20853	PIN, FLOAT LEVER PINION .	25	3
14-31210	TAB WASHER, PROPELLER NUT	53	86	17-21057	PIN, HINGE - HANDLE TO COWL LATCH	7	14
15-20085A1	SHIM, LOWER END CAP TO CRANKCASE	29	29	17-23928	CKING LEVER	37	52
15-29955A1	SHIM, THRUST WASHER TO GEAR HOUSING	51	70	17-25391	RIVET, CHOKE SHUTTER TO CHOKE ROD	23	15
15-30278A1	SHIM, DRIVE SHAFT BALL BEARING TO GEAR HOUSING	47	10	17-25598	PIN, REVERSE LOCK SPRING ATTACHING	41	35
15-30278A1	SHIM, WATER PUMP BASE TO GEAR HOUSING	47	10	17-26618	PIN, DOWEL - PULLEY TO FLYWHEEL	9	7
15-30497A1	SHIM, CLAMP BRACKET TILT TUBE	39	5	17-27961	PIN, ECONOMIZER COLLAR - SPRING RETAINER	11	9
15-30923A1	SHIM, BEARING OUTER RACE TO GEAR HOUSING	51	58	17-27962	PIN, ANCHOR - HORSESHOE SPRING TO PILOT	11	4
16-20221	STUD, CLAMP BRACKET . .	39	9	17-29077	PIN, ROLL - CLAMPING LEVER	5	40
16-21723	STUD, CHOKE ROD SPRING TO CARBURETOR	23	22	17-29077	ROLL PIN, TENSION SPRING TO KNOB	7	8
16-26133	STUD, CRANKCASE TO DRIVE SHAFT HOUSING (1 7/8")	29	12				

PARTS INDEX

Part Number	Description	Pg.	Ref. No.	Part Number	Description	Pg.	Ref. No.
17-29967	PIN,IMPELLER DRIVE	49	28	22-25885	ELBOW, TELL TALE HOSE TO EXHAUST COVER . . .	35	21
17-30632	PIN,CROSS-RATCHET TO PROPELLER SHAFT	51	64	22-29085	ELBOW (45),UPPER CARBURETOR	27	16
17-30687A1	TILT LOCK PIN ASSEMBLY	39	12	22-29111	CONNECTOR, TELL TALE HOSE TO BOTTOM COWL	35	20
17-31245	DOWEL PIN (STEPPED)	33	18	22-30139	PLUG, PIPE-WATER PRESSURE HOLE(CYLINDER BLOCK)	29	10
17-31773A2	SWIVEL PIN AND STEERING ARM ASSEMBLY (1 1/6"O.D.)LONG SHAFT	39	26	22-30174	ELBOW, LOWER FUEL PUMP INLET	27	23
17-35973	DOWEL PIN,WATER PUMP BASE TO WATER PUMP BODY	47	18	22-30174	ELBOW, UPPER FUEL PUMP OUTLET	27	17
17-37423A1	SWIVEL PIN AND STEERING ARM ASSEMBLY (1 3/16"O.D. LONG SHAFT	39	26	22-30175	SLEEVE, FUEL PUMP INLET ELBOW	27	24
17-37462A1	SWIVEL PIN AND STEERING ARM ASSEMBLY (1 3/16"O.D.)-SHORT SHA	39	26	22-30175	SLEEVE, FUEL PUMP OUTLET ELBOW	27	18
17-39023	PIN, PUSH ROD TO REVERSE LOCK	43	10	22-30177	NUT, FUEL PUMP INLET ELBOW	27	25
17-39023	PIN,PUSH ROD TO REVERSE LOCK	55	10	22-30177	NUT, FUEL PUMP OUTLET ELBOW	27	19
18-20209	COTTER IN,REVERSE LOCK TO SHAFT	55	45	22-31521	ELBOW, VENT HOSE TO BOTTOM COWL	13	23
18-20209	COTTER PIN, REVERSE LOCK TO SHAFT	41	45	22-37682	ELBOW, FUEL LINE TO ADAPTOR	27	26
18-20233	CLIP,RETAINING-SHIFT SHAFT	49	40	23-20222	SPACER, CLAMP BRACKET STUD	39	8
18-25191	COTTER PIN, LINK ROD TO SHIFT SHAFT	37	40	23-26602	BUSHING, NYLON - THROTTLE ACTUATOR	11	12
18-25191	COTTER PIN, PUSH ROD PIN	43	11	23-26819	BUSHING, NYLON - CLAMPING LEVER	3	36
18-25191	COTTER PIN, PUSH ROD TO REVERSE LOCK	43	5	23-28198	BUSHING, RUBBER - SHOCK ABSORBER (LOWER)	41	52
18-25191	COTTER PIN,PUSH ROD TO REVERSE LOCK	55	5	23-28199	SPACER, UPPER SHOCK BUSHING TO CLAMP BRACKET	41	46
18-26953	COTTER PIN, LINK TO UPPER CHOKE LEVER	23	8	23-29101	BUSHING, INSULATING-HOUSING FRAME	19	14
19-32298	PLUG, PLASTIC - TRIM TAB SCREW HOLE	43	12	23-29529	BUSHING, STEEL - THROTTLE CONTROL LEVER SCREW	13	33
19-32299	WELCH PLUG, BODY CHANNEL	25	34	23-29591	SLEEVE,RUBBER-WATER INLET TUBE	43	24
21-28481A1	CHECK VALVE ASSEMBLY	31	52	23-29804	SLEEVE,GUIDE-WATER INLET TUBE	49	35
21-28481A1	CHECK VALVE ASSEMBLY, END CAP	29	24	23-29909	SPACER, DRIVEN PULLEY	11	23
21-28483A1	CHECK VALVE ASSEMBLY, UPPER-BLEED HOSE	31	51	23-30438	BUSHING, NYLON-UPPER CHOKE SHUTTER	23	20
21-30430	VALVE, CHECK-FUEL PUMP	27	3	23-31293	BUSHING, RUBBER - CLAMPING LEVER	3	38
21-30430	VALVE, CHECK-FUEL PUMP	27	3	23-32171	BUSHING, RUBBER - SHOCK ABSORBER (UPPER)	41	51
22-20445	CONNECTOR, LOWER-BLEED HOSE	31	54	23-32427	SPACER, CHOKE ROD SPRING STUD	23	23
22-21290	PLUG,PIPE-SHIFT SHAFT GREASE FILLER HOLE	49	48	23-37428A1	BUSHING ASSEMBLY,SHIFT SHAFT	49	42
22-23612	FITTING, GREASE	39	24	23-37643	BUSHING, NYLON - THROTTLE CONTROL LEVER SCREW	13	32
22-25094	FITTING, GREASE - ECONOMIZER COLLAR	11	10				
22-25094	FITTING, GREASE - MAGNETO ADAPTOR	11	15				
22-25885	ELBOW, BALANCE TUBE TO MAIN BEARING SCREW	29	32				

PARTS INDEX

Part Number	Description	Pg.	Ref. No.	Part Number	Description	Pg.	Ref. No.
24-20099	SPRING, LINK ROD TO			26-29476	OIL SEAL, UPPER	29	26
	GUIDE BLOCK	37	44	26-29478	OIL SEAL, LOWER	29	25
24-20869	SPRING, THROTTLE SHAFT			26-29612	SEAL, GEAR HOUSING		
	RETURN (UPPER				FLUSHING HOLE	49	53
	CARBURETOR)	25	33	26-30550	OIL SEAL, BEARING		
24-26890	SPRING, THROTTLE SHAFT				CARRIER	51	74
	RETURN (LOWER			26-31249	OIL SEAL, SHIFT SHAFT		
	CARBURETOR)	25	33		BUSHING	49	43
24-27160	SPRING, IDLE ADJUSTMENT			26-31489	OIL SEAL, WATER PUMP		
	SCREW	25	25		BASE	47	16
24-27944	SPRING, HORSESHOE -			26-31507	OIL SEAL, WATER PUMP		
	MAGNETO PILOT	11	3		BASE	47	17
24-28975	SPRING, GARTER -			26-31507	OIL SEAL, WATER PUMP		
	INTERNAL WIRINGG				BODY	49	24
	HARNES	17	5	26-31783	OIL SEAL, SWIVEL		
24-29821	SPRING, REVERSE LOCK				BRACKET (1 11/16" O.D.)	39	23
	TENSION	41	42	26-36557	SEAL, RUBBER-WATER		
24-29821	SPRING, REVERSE LOCK				INLET TUBE	35	26
	TENSION	55	42	26-36557	SEAL, RUBBER-WATER		
24-30189	SPRING, ADAPTOR STEM	27	30		INLET TUBE	49	26
24-30622	SPRING, COMPRESSION-			26-37448	OIL SEAL, SWIVEL		
	CAM FOLLOWER	51	57		BRACKET	39	23
24-30893	SPRING, RETAINING-CROSS			26-38970	SEAL, RUBBER-WATER		
	PIN	51	65		INLET TUBE-	35	26
24-32271	SPRING, TENSION - COVER			26-38970	SEAL, RUBBER-WATER		
	FASTENING KNOB	7	7		INLET TUBE	49	26
24-35522	SPRING, TENSION-LOWER			27-23005	GASKET, CHECK VALVE TO		
	MOUNT CLAMP	45	53		HOUSING	27	2
24-37444	SPRING, TENSION-PUSH			27-23005	GASKET, CHECK VALVE TO		
	ROD	43	6		HOUSING	27	2
24-37449	GASKET, CYLINDER BLOCK			27-23180	GASKET, IDLE TUBE	25	22
	TO BAFFLE PLATE	29	34	27-24863	GASKET, FUEL PUMP	27	6
24-37678	SPRING, TENSION-CHOKE			27-24863	GASKET, FUEL PUMP	27	6
	ROD	23	21	27-25033	GASKET, INLET SEAL	25	7
24-37911	SPRING, CONTROL CABLE			27-25725	GASKET, END CAP COVER	19	37
	LOCKING LEVER	37	51	27-25848	GASKET, STRAINER COVER		
24-38472	SPRING, CONTROL CABLE				SCREW	25	16
	TENSION-ANCHOR			27-25849	GASKET, STRAINER COVER		
	BRACKET	37	50		(SMALL)	25	14
25-20081	"O"RING	29	27	27-25851	GASKETD, STRAINER		
25-20116	GROMMET, CHOKE ROD	23	10		COVER (LARGE)	25	12
25-20415	"O"RING, ADAPTOR STEM	27	29	27-28406	GASKET, JET CHANNEL		
25-25429	"O" RING, HIGH TENSION				PLUG SCREW	25	28
	LEAD CABLE TO END CAP			27-28409	GASKET, MAIN FUEL JET	25	30
	COVER	13	13	27-29166	GASKET, MAGNETO COVER	19	31
25-25439	"O" RING, SHIFT SHAFT			27-29586	GASKET, GEAR HOUSING		
	BUSHING	49	41		FLUSHING HOLE SCREW	49	52
25-29976	"O" RING, BEARING			27-30276	GASKET, FUEL PUMP		
	CARRIER	51	71		COVER	27	10
25-30224	"O" RING, WATER PUMP			27-31304	GASKET, TRANSFER PORT		
	BASE	47	14		COVER	31	45
25-30271	RING, RUBBER-			27-31402	GASKET, CARBURETOR		
	CENTRIFUGAL SLINGER(FLANGE	25	35
	DRIVE SHAFT)	49	34	27-32433	GASKET, LOWER-WATER		
25-30613	"O" RING, UPPER-DRIVE				PUMP BASE TO FACE		
	SHAFT	49	36		PLATE	47	19
25-30613	"O"RING, DRIVE SHAFT			27-32434	GASKET, UPPER-FACE		
	SPLINE	33	19		PLATE TO WATER PUMP		
25-31305	"O"RING	29	3		BODY	49	21
26-29476	OIL SEAL	29	2				

PARTS INDEX

Part Number	Description	Pg.	Ref. No.	Part Number	Description	Pg.	Ref. No.
27-33015	GASKET, CYLINDER BLOCK COVER	31	41	32-28052	SLEEVE, RUBBER - TILT LOCK PIN BUMPER	39	13
27-37414A1	GASKET SET (MOTOR OVERHAUL)	1	-	32-28373	SLEEVE, RUBBER - RECTIFIER HARNESS LEAD	17	31
27-37437	GASKET, POWERHEAD TO EXHAUST EXTENSION PLATE	35	23	32-29164	HOSE, VENT - DISTRIBUTOR ELBOW (10 1/2")	13	21
27-37449	GASKET, BAFFLE PLATE TO MANIFOLD COVER	29	36	32-30176	FUEL LINE, ADAPTOR TO LOWER FUEL PUMP INLET	27	22
27-38471	GASKET, EXHAUST EXTENSION PLATE TO DRIVE SHAFT HOUSING	35	31	32-31550A1	FUEL LINE ASSY, UPPER TO LOWER CARBURETOR (6")	27	34
27-38471	GASKET, EXHAUST EXTENSION PLATE TO DRIVE SHAFT HOUSING	43	31	32-31552A1	FUEL LINE ASSY, PUMP TO PUMP (12 3/8")	27	20
28-29910	KEY, MAGNETO DRIVING	11	27	32-31553A1	FUEL LINE ASSY, PUMP TO CARBURETOR (19 3/4")	27	21
28-30250	KEY, FLY WHEEL DRIVE	33	2	32-33154A1	FUEL LINE ASSY, PUMP TO CARBURETOR (13 1/2")	27	15
28-30250	KEY, FLYWHEEL DRIVE	9	3	32-33729	TUBE, BALANCE-MAINE BEARING	29	31
28-30281	KEY, LOCATING-BEARING CARRIER	51	75	32-37438	TUBE, WATER INLET (LONG SHAFT)	43	23
29-26114	BEARING, NEEDLE	33	13	32-37446	TUBE, WATER INLET (SHORT SHAFT)	43	23
29-38586	BEARING, NEEDLE-CRANKPIN	33	26	32-37670	HOSE, FRONT SUPPORT BRACKET TO BOTTOM COWL	5	43
29-39656	BEARING, NEEDLE-PISTON PIN	33	27	32-37672	HOSE, VENT - DISTRIBUTOR TO ELBOW (17")	13	22
30-20066	BEARING, BALL - MAGNETO PILOT	11	6	32-37694	SLEEVE, SPARK PLUG LEAD (3")	13	14
30-20080	BALL BEARING	29	28	33-30578	SPARK PLUG	13	17
30-20464	BEARING, BALL-DRIVE SHAFT	47	11	34-31240	REED STOP, MAIN BEARING REED VALVES	33	8
30-24997	BEARING, BALL (OPPOSITE DRIVE END)	19	6	34-32203A1	REED SET, MATCHED-MAIN BEARING	33	7
30-24998	BEARING, BALL (DRIVE END)	19	4	37-37844A1	DECAL SET (MERC 650E-2)	1	-
30-31265	BEARING, BALL-REVERSE GEAR	51	68	37-39272A1	DECAL SET (MERC 650E-3)	1	-
30-32117	BALL BEARING	29	4	38-39784	SERIAL PLATE	41	33
31-30894A1	TAPERED ROLLER BEARING ASSEMBLY	51	61	39-32921A12	RING, PISTON	33	22
31-30895	BEARING, ROLLER-FORWARD GEAR	51	60	39-33945A12	RING, PISTON (.015)	33	--
31-30956	BEARING, ROLLER-BEARING CARRIER	51	73	40-32118	LOCK RING, PISTON PIN	33	21
31-31092	CUP, TAPERED ROLLER BEARING	51	62	43-31419	GEAR, PINION-DRIVE SHAFT	47	8
31-32898	BEARING, ROLLER-DRIVE SHAFT	47	6	43-31877A1	REVERSE GEAR ASSEMBLY, COMPLETE	51	--
32-26060	HOSE, CYLINDER BLEED (8 1/2")	31	53	43-31884A1	FORWARD GEAR ASSEMBLY, COMPLETE	51	--
32-26239	BULK LINE (DISTRIBUTOR VENT TUBES) PER FOOT	1	-	43-31886	FORWARD GEAR ASSEMBLY	51	59
32-26407	HOSE, TELL TALE - EXHAUST COVER TO BOTTOM COWL (16")	35	16	43-31887	REVERSE GEAR ASSEMBLY	51	67
32-26407	HOSE, TELL TALE-EXHAUST COVER TO BOTTOM COWL (16")	35	19	43-34085	FORWARD GEAR ASSEMBLY	51	59
32-26527	SLEEVE, SPARK PLUG LEAD (1 1/2")	13	14	43-34085A1	FORWARD GEAR ASSEMBLY, COMPLETE	51	--
				44-30944	SHAFT, PROPELLER	51	66
				45-33007	SHAFT, DRIVE - MAGNETO	11	1
				45-38459	DRIVING SHAFT (SHORT SHAFT)	47	7
				45-38460	DRIVE SHAFT (LONG SHAFT)	47	7

PARTS INDEX

Part Number	Description	Pg.	Ref. No.	Part Number	Description	Pg.	Ref. No.
46-35976A1	WATER PUMP BASE ASSEMBLY	47	15	225-2498A2	FLYWHEEL ASSEMBLY, COMPLETE	9	4
46-37433A1	WATER PUMP BODY ASSEMBLY	49	22	393-1504A6	BREAKER ASSEMBLY	19	22
46-38505A2	EXTRA HEAVY DUTY WATER PUMP KIT	1	-	393-1586	GROMMET, PLASTIC-BREAKER BRACKET	19	23
46-38931A1	WATER PUMP BASE ASSEMBLY	47	15	394-1050	CLIP, COIL-HIGH TENSION ..	19	19
47-30221	IMPELLER, WATER PUMP ..	49	27	394-1051	LOCKWIRE, COIL BRIDGE SET SCREW	19	3
50-37274A1	STARTER MOTOR ASSEMBLY	17	10	394-1053A1	WIRE ASSEMBLY, PRIMARY GROUND LEAD	19	9
50-37901	ROPE, STARTER (FOR MANUAL STARTING ONLY)	3	20	394-1056A1	BRUSH AND SPRING ASSEMBLY	21	39
52-34239	RATCHET, SLIDING CLUTCH	51	63	394-1067	MAGNETIC ROTOR AND SHAFT	19	5
53-21058	"E" RING, BREAKER TO PIVOT PIN	19	27	394-1106A1	HOLDER AND CAM WICK ASSEMBLY	19	26
53-21058	"E" RING, HANDLE TO COWL LATCH HINGE PIN	7	15	394-1110	CLIP, SPRING	19	36
53-26933	RING, SNAP-OUTER RACE CLAMPING	33	15	394-1128A1	COIL ASSEMBLY	19	18
53-30428	FASTENER, CLAMPING LEVER	5	39	394-1130	CONDENSER	19	29
53-30726	RING, RETAINING-BALL BEARING	47	12	394-1131	NUT, COIL CLIP FASTENING	19	21
54-20386	CLAMP, BALANCE TUBE TO ELBOW	29	33	394-1134A1	GROUND STRAP ASSEMBLY, MAGNETO TO CRANKCASE	13	12
54-20387	CLAMP, BLEED HOSE TO CHECK VALVE AND CONNECTOR	31	55	394-1561A2	END CAP COVER ASSEMBLY	19	38
54-22783	"S" CLIP, RECTIFIER HARNESS LEAD TO BOTTOM COWL	17	6	394-1570	FRAME, MAGNETO HOUSING	19	1
54-22783	"S" CLIP, STATOR LEAD TO BOTTOM COWL	9	17	394-1577	COVER, MAGNETO	19	32
54-22976	CLAMP, TELL TALE HOSE TO CONNECTOR AND ELBOW	35	22	394-1579	INSULATOR, PRIMARY GROUND TERMINAL	19	12
54-25231	CLIP, MERCURY SWITCH AND HARNESS LEADS TO MAGNETO	13	9	394-1637	SUPPORT, BALL BEARING ..	19	7
54-26550	CLIP, STATOR LEAD FASTENING (5/16")	9	14	394-2271A2	MAGNETO ASSEMBLY, COMPLETE	19	-
54-28700	CLIP, HIGH TENSION LEAD CABLE FASTENING	13	18	394-2271A2	MAGNETO ASSEMBLY, COMPLETE 4D-4)	13	8
54-33361	CLIP, CHOKE SOLENOID WIRE	23	5	394-2602A1	MAGNETO ROTOR ASSEMBLY	19	35
55-28416	PIN, UPPER SHOCK MOUNTING	39	17	398-2171	STATOR, ALTERNATOR ...	9	11
55-29247	PIN, LOWER SHOCK MOUNTING ((SHORT SHAFT)	41	41	418-1898	CRANKSHAFT	33	1
55-31933	SHOCK ABSORBER	41	53	531-1884A2	CENTER MAIN BEARING ASSEMBLY	33	11
90-38767	MERC 650E-2 AND 650E-3 PARTS LIST, COMPLETE	1	-	533-2034A2	MAIN BEARING ASSEMBLY (VALVE TYPE)	33	3
92-25234	GLUE, ADHESIVE - SOUND BLANKET FASTENING ...	7	--	555-28414	PIN, LOWER SHOCK MOUNTING(LONG SHAFT)	41	41
94-29616	SHIPPING CARTON (FUEL TANK)	1	-	611-1885A4	CONNECTING ROD AND CAP ASSEMBLY	33	23
				732-2045A4	PISTON AND PISTON PIN ASSEMBLY	33	20
				732-2194A1	PISTON AND PISTON PIN ASSEMBLY (.015)	33	--
				834-2456A3	CYLINDER BLOCK AND CRANKCASE ASSEMBLY	29	7
				...C-30664	TUBE, TILT - CLAMP BRACKET TO SWIVEL BRACKET	39	4
				1012-2445	COVER, CYLINDER BLOCK ..	31	42
				1126-1751A1	END CAP ASSEMBLY, LOWER	29	23

PARTS INDEX

Part Number	Description	Pg.	Ref. No.	Part Number	Description	Pg.	Ref. No.
1335-2474	CARBURETOR ASSEMBLY, COMPLETE	23	25	1623-2460A17	#GEAR HOUSING ASSEMBLY,COMPLETE(SHORT SHAFT)- SEE NOTE BELOW	51	-
1335-2474	CARBURETOR ASSEMBLY, COMPLETE (KC-5A)	25	1	1623-2460A17	#GEAR HOUSING ASSEMBLY,COMPLETE(SHORT SHAFT)-SEE NOTE BELOW	47	-
1399-101	LEVER, FLOAT (UPPER)	25	5	1623-2460A2	GEAR HOUSING ASSEMBLY,COMPLETE(LONG SHAFT) -SEE NOTE BELOW	47	-
1399-102	LEVER, FLOAT (LOWER)	25	4	1623-2460A2	GEAR HOUSING ASSEMBLY,COMPLETE(LONG SHAFT) -SEE NOTE BELOW	51	-
1399-110A1	FLOAT ASSEMBLY	25	2	1623-2460A20	GEAR HOUSING ASSEMBLY	47	1
1399-1133	COVER, FLOAT BOWL	25	9	1623-2460A20	GEAR HOUSING ASSEMBLY -SEE PAGE 30 FOR PARTS BREAKDOWN	51	1
1399-1473	INLET NEEDLE,SEAT AND GASKET	25	6	1623-2460A24	GEAR HOUSING ASSEMBLY,COMPLETE(SHORT SHAFT) -SEE NOTE BELOW	51	-
1399-1713	SCREW, IDLE ADJUSTMENT	25	26	1623-2460A24	GEAR HOUSING ASSEMBLY,COMPLETE(SHORT SHAFT) -SEE NOTE BELOW	51	-
1399-1754	SCREEN, FILTER	25	13	1623-2460A25	GEAR HOUSING ASSEMBLY,COMPLETE(LONG SHAFT) -SEE NOTE BELOW	47	-
1399-1930	COVER, STRAINER	25	15	1623-2460A3	GEAR HOUSING ASSEMBLY,COMPLETE(SHORT SHAFT)-SEE NOTE BELOW	47	-
1399-1962	JET, MAIN FUEL (.069)	25	29	1623-2460A3	GEAR HOUSING ASSEMBLY,COMPLETE(SHORT SHAFT)-SEE NOTE BELOW	47	-
1399-2011	JET, MAIN FUEL (.071)- STANDARD	25	29	1623-2460A4	#GEAR HOUSING ASSEMBLY	47	1
1399-2012	SHAFT, THROTTLE	25	20	1623-2460A4	#GEAR HOUSING ASSEMBLY-SEE PAGE 30 FOR PARTS BREAKDOWN	51	1
1399-2013	JET, MAIN FUEL (.073)	25	29	2104-2334A4	COWL FRONT COVER ASSEMBLY	7	1
1399-2015	GASKET AND PACKING SET(1 PER CARBURETOR)	25	--	2104-2654A1	COWL FRONT COVER ASSEMBLY	7	1
1399-2180	SHUTTER, THROTTLE	25	24	2114-2455	COWL, TOP	3	9
1399-2534	TUBE, IDLE	25	21	2115-2458	COWL, BOTTOM	35	1
1399-2535	NOZZLE, MAIN	25	31	2119-2507A2	WRAP AROUND COWL ASSEMBLY	7	12
1399-2536	REPAIR PARTS KIT 1 PER CARBURATOR)	25	--	2119-2657A2	WRAP AROUND COWL ASSEMBLY	7	12
1399-97	LEVER, THROTTLE STOP (SEE NOTE BELOW)	25	19				
1399-99	GASKET,FLOAT BOWL COVER	25	8				
1440-1796A1	CLAMP BRACKET ASSEMBLY	39	1				
1447-1945A3	SWIVEL BRACKET ASSEMBLY (USE WITH A-17-31773A2 SWIVEL PIN	39	22				
1447-2462A3	SWIVEL BRACKET ASEMBLY(USE WITH A-17-37423A1 SWIVEL PIN	39	22				
1447-2689A1	SWIVEL BRACKET ASSEMBLY(USE WITH A-17-37423A1 SWIVEL PIN	39	22				
1453-2461A1	SWIVEL BRACKET ASSEMBLY(USE WITH A-17-37462A1 SWIVEL PIN	39	22				
1453-2690A1	SWIVEL BRACKET ASSEMBLY(USE WITH A-17-37462A1 SWIVEL PIN	39	22				
1551-2459A2	DRIVE SHAFT HOUSING SSEMBLY(LONG SHAFT)	43	1				
1552-2463A1	DRIVE SHAFT HOUSING ASSEMBLY(SHORT SHAFT)	43	1				
1623-2460A16	#GEAR HOUSING ASSEMBLY,COMPLETE(LONG SHAFT) -SEE NOTE BELOW	47	-				
1623-2460A16	#GEAR HOUSING ASSEMBLY,COMPLETE(LONG SHAFT) -SEE NOTE BELOW	51	-				