



PARTS CATALOG

MARK 50

SERIAL NUMBER

MARK 50, 50E ALL

TABLE OF CONTENTS:

BOTTOM COWL ASSEMBLY	34
CARBURETOR ASSEMBLY	12
CARBURETOR LINKAGE	16
CHOKE SOLENOID AND LINKAGE	18
CLAMP AND SWIVEL BRACKET	38
COWLING AND FRONT COVER	6
CRANKSHAFT - PISTON & CONNECTING RODS	32
CYLINDER BLOCK & CRANKCASE ASSEMBLY (EXHAUST SIDE)	30
CYLINDER BLOCK & CRANKCASE ASSEMBLY (INTAKE SIDE)	26
DRIVE SHAFT HOUSING ASSEMBLY	2
FLYWHEEL ASSEMBLY	8
FLYWHEEL ASSEMBLY AND STATOR	10
FUEL FILTER ASSEMBLY	14
GEAR HOUSING AND DRIVE SHAFT	40
GEAR HOUSING AND PROPELLER	42
MAGNETO	20
MAGNETO (INTERNAL PARTS)	22
PARTS INDEX	52
RECTIFIER AND STARTER SOLENOID	48
STARTER MOTOR	44
TOP COWL AND STARTER ASSEMBLY	4
WIRING HARNESS	50

NOTE: Indented description indicate that these parts are included in preceding assembly.

AR = As Required

NSS = Not Sold Separate

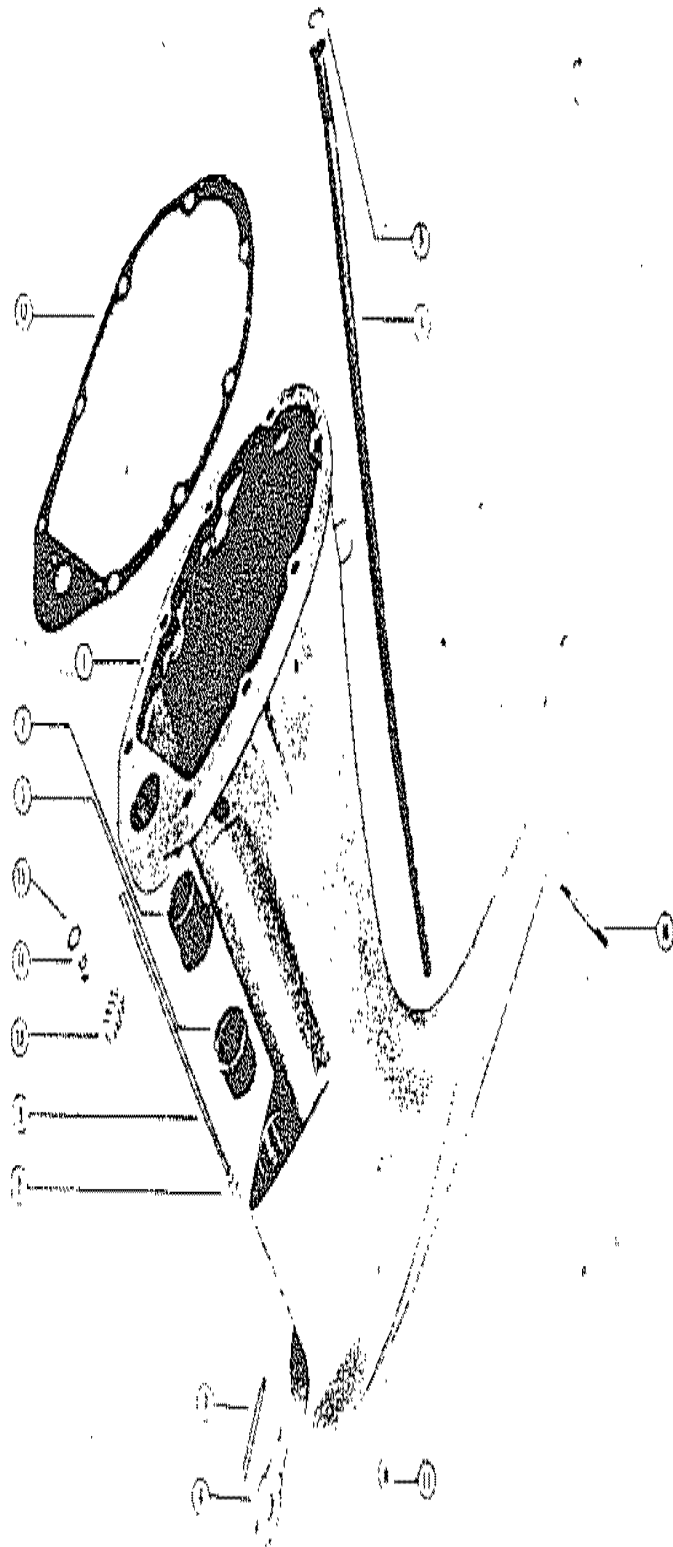
OPT = Optional

NS = Not Shown

THESE PARTS BOOKS/FICHE CARD ARE COPYRIGHTED AND MAY NOT BE DISTRIBUTED OR REPRODUCED IN ANY OTHER FORMAT BY ANYONE OTHER THAN MERCURY MARINE WITHOUT THE PRIOR WRITTEN CONSENT OF MERCURY MARINE.

THIS PAGE INTENTIONALLY LEFT BLANK

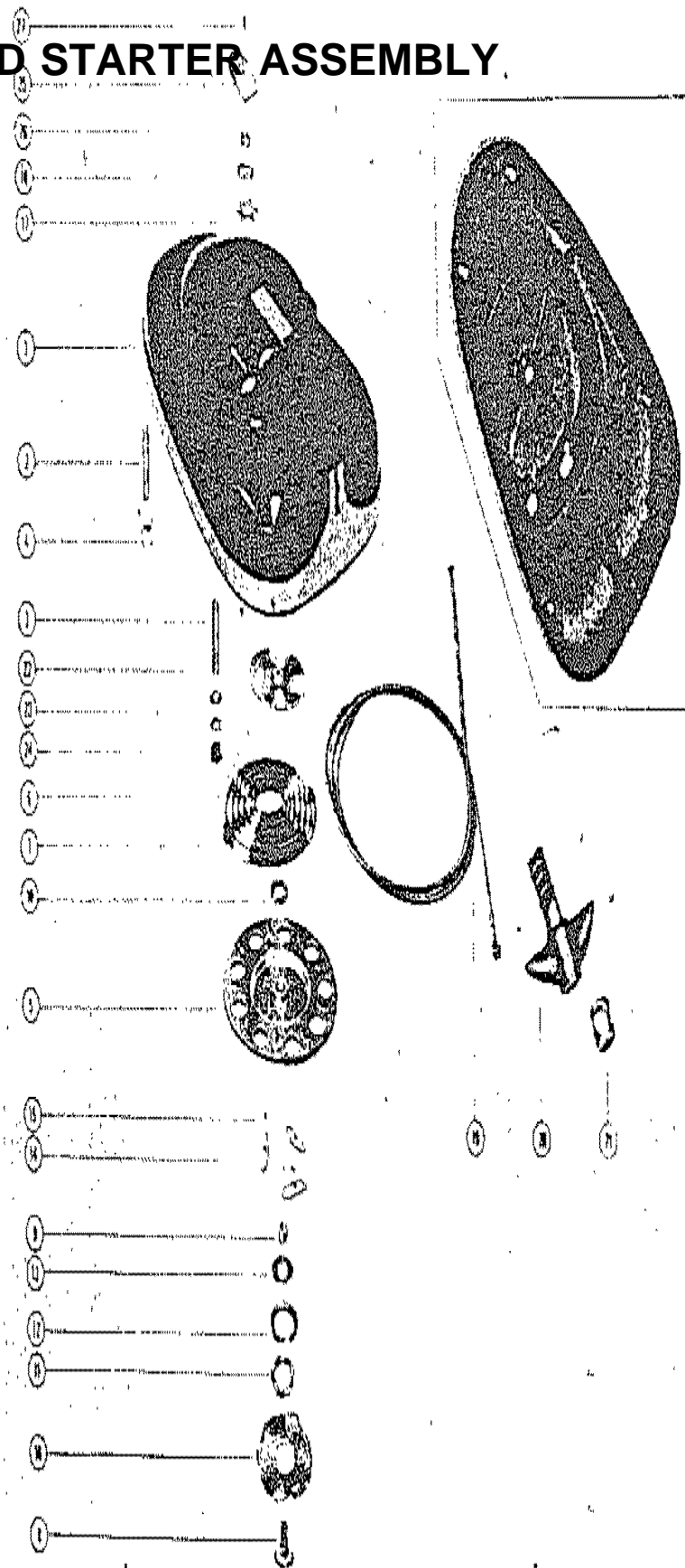
DRIVE SHAFT HOUSING ASSEMBLY



DRIVE SHAFT HOUSING ASSEMBLY

REF. NO.	PART NO.	SYM.	QTY.	DESCRIPTION
1	1500-32A1		1,1	DRIVE SHAFT HOUSING ASSEMBLY
2	23-20196		1,1	BUSHING, SWIVEL PIN-UPPER
3	23-20199		1,1	BUSHING, SWIVEL PIN-LOWER
4	32-20369		1,1	WATER INLET TUBE
5	25-20195		1,1	"O" RING, WATER INLET TUBE SEAL
6	20300A1		1,1	REVERSE LOCK LEVER ASSEMBLY
7	17-20302		1,1	PIN, REVERSE LOCK LEVER TO DRIVE SHAFT HOUSING
8	20303		1,1	ROD, PUSH - REVERSE LOCK LEVER
9	23-23649		1,1	BUSHING, PUSH ROD
10	16-23071		1,1	STUD, DRIVE SHAFT HOUSING TO GEAR HOUSING
11	11-23161		3,3	NUT, GEAR HOUSING TO DRIVE SHAFT HOUSING STUD
12	27-20389		1,1	GASKET, DRIVE SHAFT HOUSING TO BOTTOM COWL
13	24-20229		2,2	SPRING, CO-PILOT
14	11-20083		8,8	NUT, DRIVE SHAFT HOUSING TO POWERHEAD
15	12-20084		8,8	WASHER, DRIVE SHAFT HOUSING TO POWERHEAD
-	15-23708		1,1	SHIM, DRIVE SHAFT HOUSING TO GEAR HOUSING

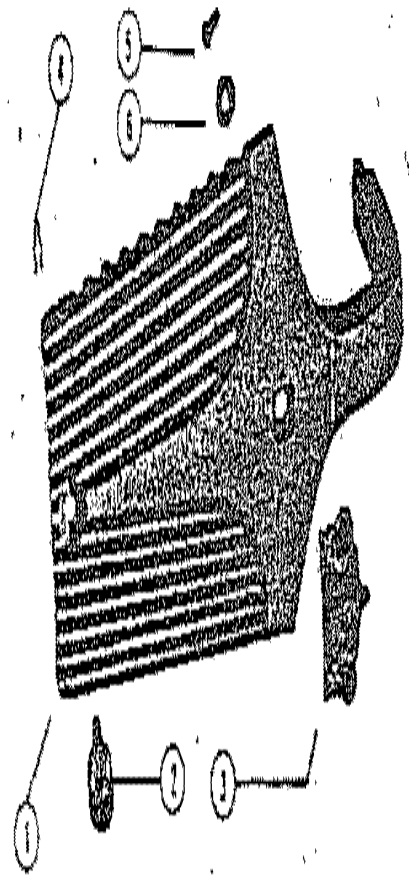
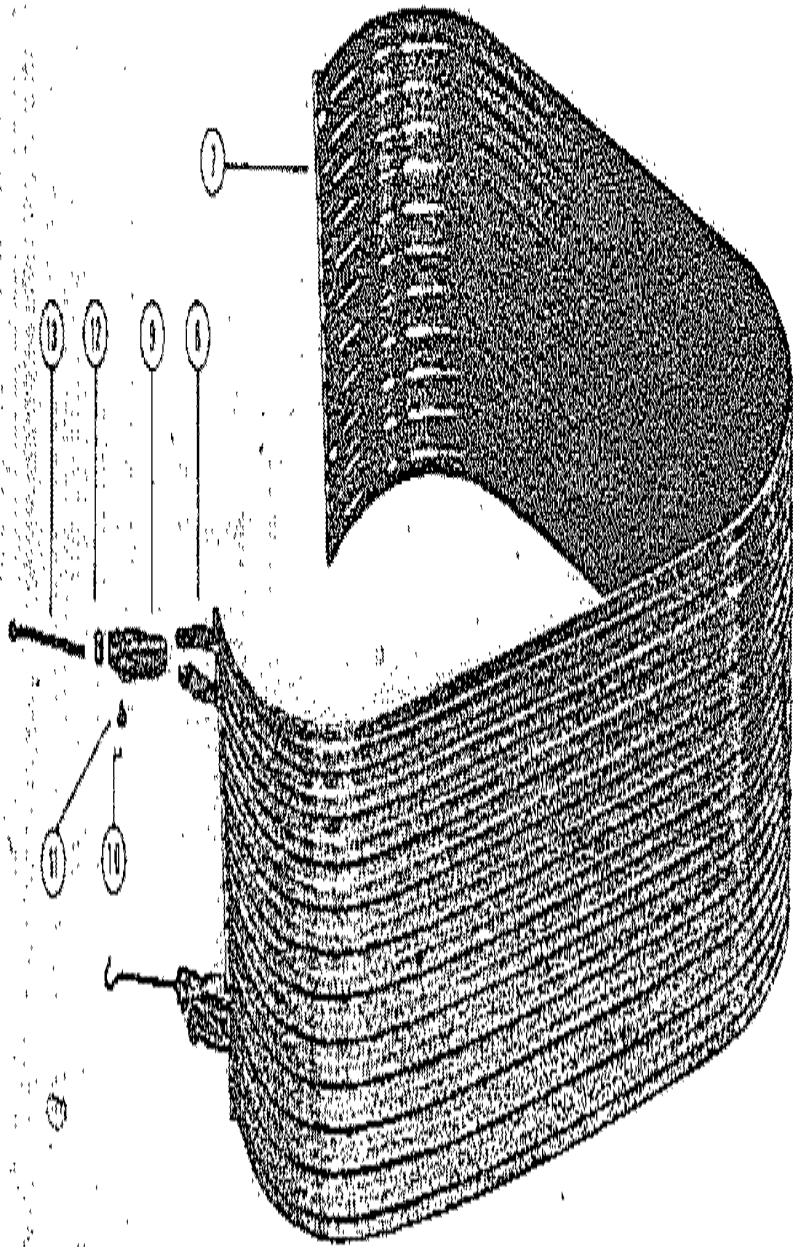
TOP COWL AND STARTER ASSEMBLY



TOP COWL AND STARTER ASSEMBLY

REF. NO.	PART NO.	SYM.	QTY.	DESCRIPTION
1	101-1024A5		1,1	TOP COWL ASSEMBLY
2	16-20500		2,2	STUD, TOP COWL TO CYLINDER BLOCK COVER
3	16-20353		2,2	STUD, TOP COWL TO BRACKET
-	25-20116		1,1	GROMMET, CHOKE KNOB
4	23-20326		2,2	SPACER, TOP COWL STUD
5	50-20149		1,1	SHEAVE ASSEMBLY
6	20155		1,1	RETAINER, SPRING
7	24-23714		1,1	SPRING, REWIND
8	20157		1,1	SHAFT, SHEAVE
9	23-20158		1,1	SPACER, SHEAVE SHAFT
10	23-20159		1,1	BUSHING, SPRING GUIDE
11	13-20160		1,1	WASHER, WAVE
12	26179		1,1	RETAINER, WAVE WASHER
13	12-26180		1,1	WASHER, WAVE WASHER RETAINER
14	20162		3,3	PAWL, STARTER
15	13-20163		3,3	WASHER, WAVE - STARTER PAWL
16	20164		1,1	RETAINER PLATE, STARTER PAWL
17	14-20165		1,1	TAB WASHER, SHEAVER SHAFT NUT
18	11-20166		1,1	NUT, SHEAVE SHAFT (L. H. THREAD)
19	50-22791A1		1,1	STARTER CABLE ASSEMBLY
20	20662		1,1	HANDLE, STARTER CABLE
21	20172		1,1	END CAP, STARTER CABLE HANDLE
22	12-20346		8,8	WASHER, TOP COWL STUD
23	12-20028		8,8	WASHER, TOP COWL STUD
24	11-20361		4,4	NUT, TOP COWL FASTENING
25	20485		1,1	COVER, TRIM - TOP COWL
26	23-23072		1,1	SPACER, TRIM COVER
27	10-21643		1,1	SCREW, TRIM COVER TO TOP COWL

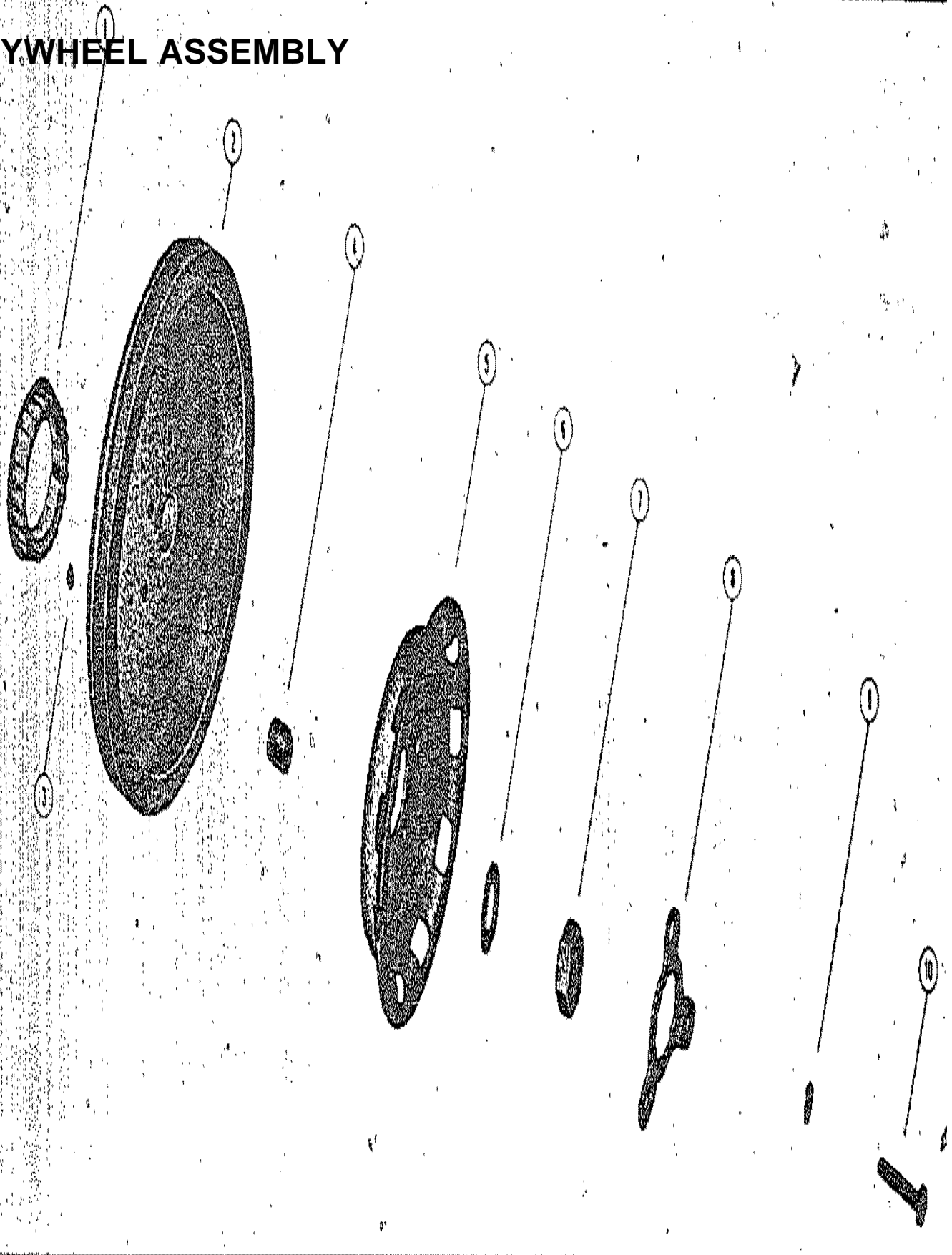
COWLING AND FRONT COVER



COWLING AND FRONT COVER

REF. NO.	PART NO.	SYM.	QTY.	DESCRIPTION
1	100-139A2		1,1	COWL FRONT COVER ASSEMBLY
-	20721		4,4	BUMPER, RUBBER - COWL FRONT COVER
2	10-21062		1,1	SCREW, COWL FASTENING
3	21078		1,1	CROWN, FRONT COVER
4	18-21069		1,1	COTTER PIN, COWL FASTENING SCREW
5	10-20031		1,1	SCREW, CROWN TO COWL FRONT COVER
6	12-20346		2,2	WASHER, FRONT COVER CROWN SCREW
7	107-1015A2		1,1	COWL WRAP AROUND ASSEMBLY
8	N.S.S.		4,4	HINGE, COWL LATCH TO COWL ROD
9	21060		2,2	HANDLE, COWL LATCH
10	53-21058		4,4	"E" RING, COWL LATCH HINGE PIN
11	17-21057		4,4	PIN, COWL LATCH HANDLE TO HINGE
12	25691		2,2	HOOK, COWL LATCH FASTENING
-	24825		1,1	BLANKET, WRAP AROUND COWL
-	25233		1,1	BLANKET AND GLUE KIT
-	92-25234		1,1	GLUE, ADHESIVE - BLANKET FASTENING

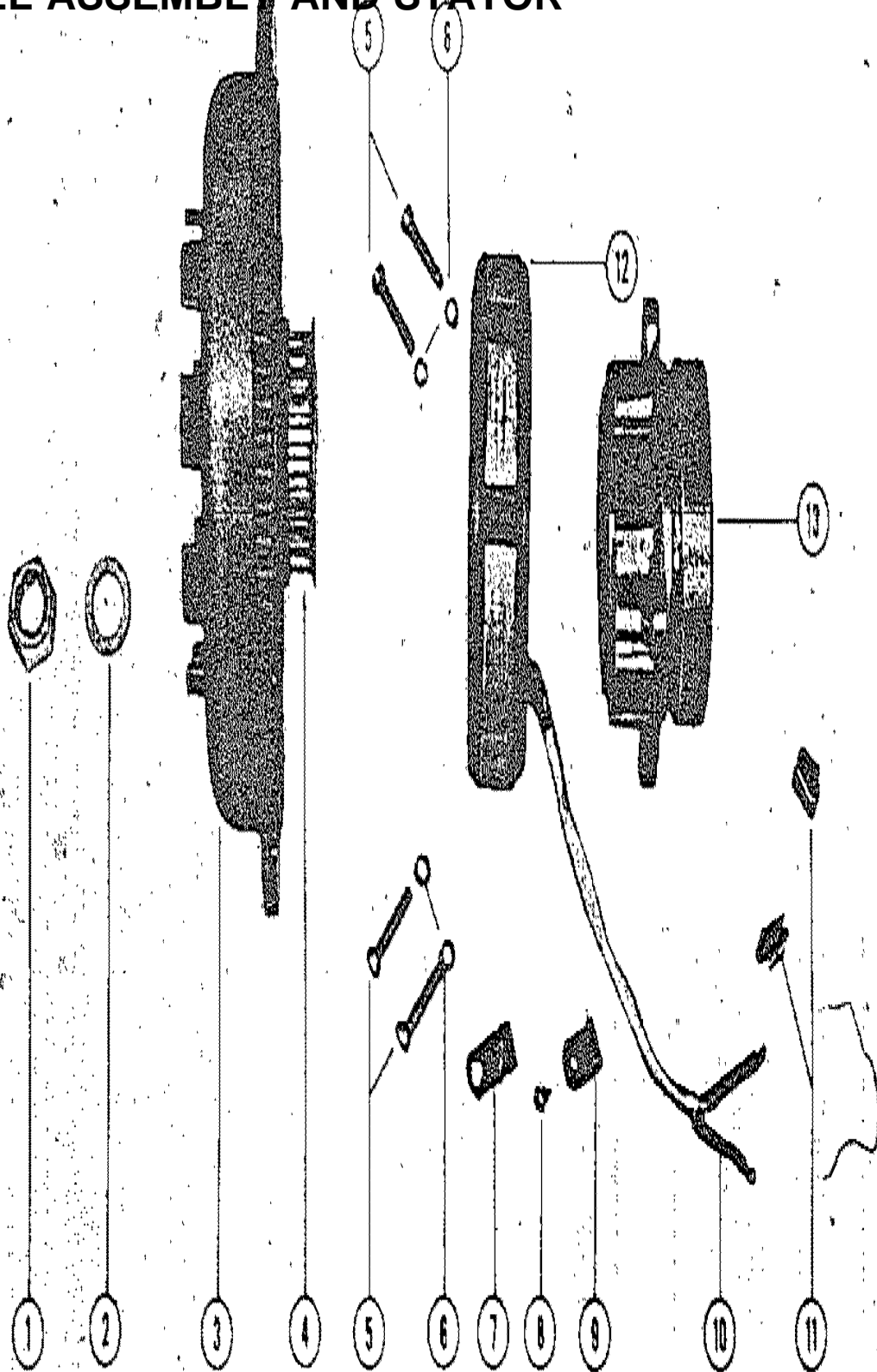
FLYWHEEL ASSEMBLY



FLYWHEEL ASSEMBLY

REF. NO.	PART NO.	SYM.	QTY.	DESCRIPTION
-	200-29A1		1	FLYWHEEL ASSEMBLY
1	22823		1	PULLEY, FLYWHEEL
2	N.S.S.		1	FLYWHEEL
-	17-20392		1	DOWEL PIN, PULLEY TO FLYWHEEL
3	28-20661		1	KEY, FLYWHEEL DRIVE
4	23-20326		3	SPACER, FLYWHEEL TO AUXILIARY PLATE
5	20144		1	AUXILIARY STARTER PLATE
6	12-20143		1	WASHER, FLYWHEEL NUT
7	11-22339		1	NUT, FLYWHEEL
8	20145		1	PLATE, FLYWHEEL NUT LOCKING
9	13-20147		3	LOCKWASHER, LOCKING PLATE SCREW
10	10-21091		3	SCREW, LOCKING PLATE
-	1100-39A1		1	END CAP ASSEMBLY

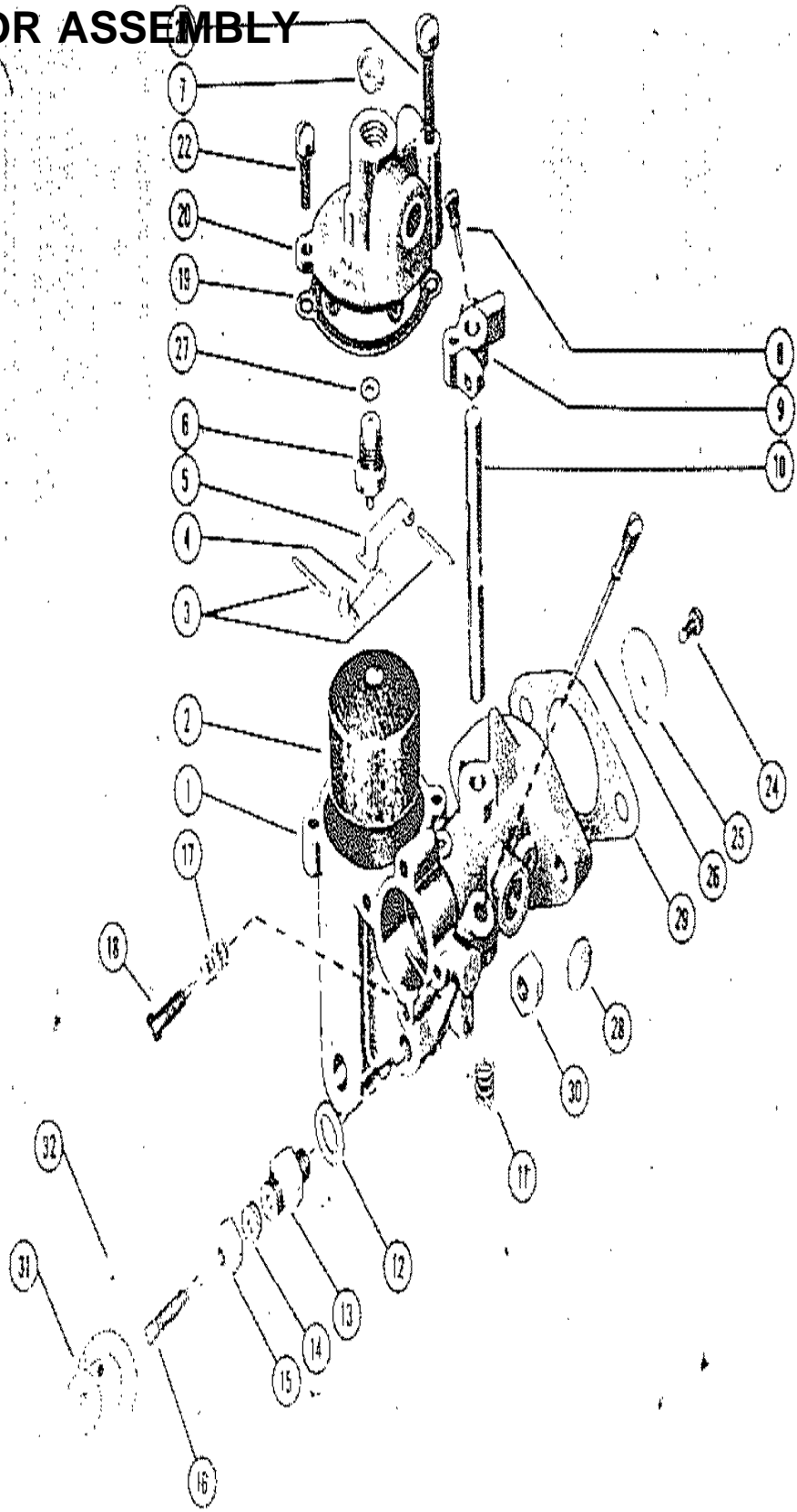
FLYWHEEL ASSEMBLY AND STATOR



FLYWHEEL ASSEMBLY AND STATOR

REF. NO.	PART NO.	SYM.	QTY.	DESCRIPTION
1	11-22339		1,1	NUT, FLYWHEEL
2	12-20143		1,1	WASHER, FLYWHEEL NUT
-	28-20661		1,1	KEY, FLYWHEEL DRIVE
3	208-1013A1		1,	FLYWHEEL ASSEMBLY
	208-998A1		,1	FLYWHEEL ASSEMBLY
4	22823		1,1	PULLEY, FLYWHEEL
-	17-20392		1,1	DOWEL PIN, PULLEY TO FLYWHEEL
5	10-22310		,4	SCREW, STATOR TO UPPER END CAP
6	13-20040		,4	LOCKWASHER, STATOR SCREW
7	54-23567		,3	CLIP, STATOR LEAD WIRE
8	10-22815		,2	SCREW, STATOR LEAD WIRE CLIP
9	54-23568		,1	CLIP, INTERNAL WIRING HARNESS
8	10-22815		,1	SCREW, INTERNAL WIRING HARNESS CLIP
10	32-23532		,2	SLEEVE, STATOR LEAD AND CHOKE WIRE
11	54-22783		,3	"S" CLIP, WIRING HARNESS LEADS
12	398-399		,1	STATOR, ALTERNATOR (LONG LEADS)
	398-892		,1	STATOR, ALTERNATOR (SHORT LEADS)
13	1100-339A1		1,1	END CAP ASSEMBLY, UPPER

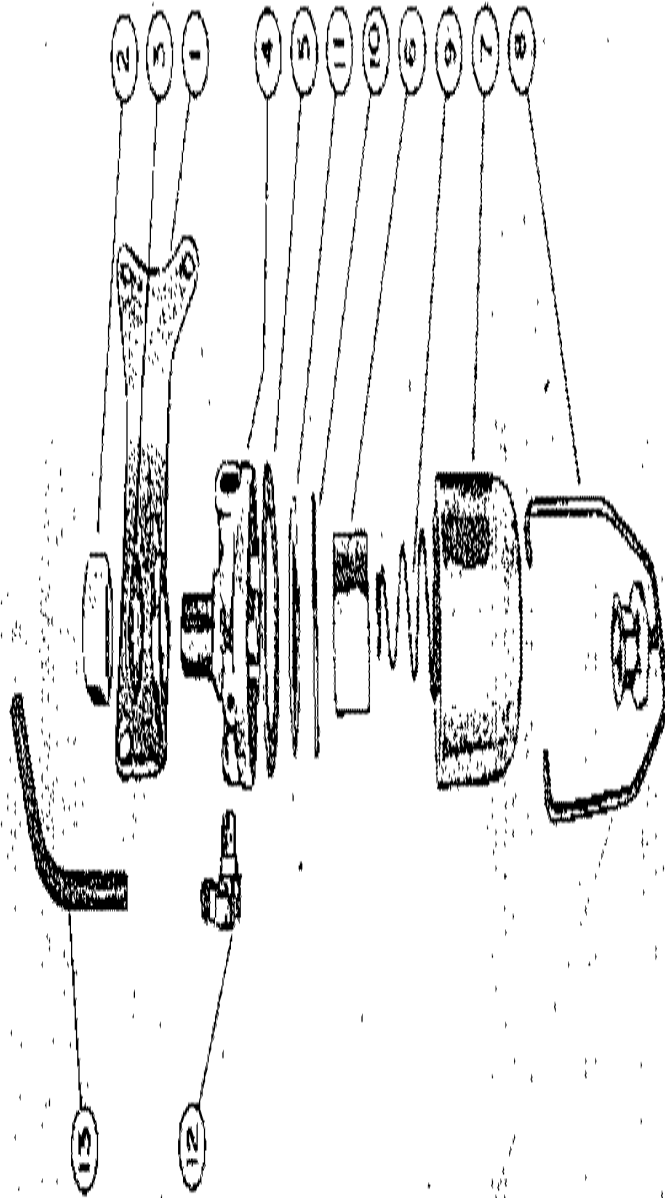
CARBURETOR ASSEMBLY



CARBURETOR ASSEMBLY

REF. NO.	PART NO.	SYM.	QTY.	DESCRIPTION
1	1302-146		2,2	CARBURETOR ASSEMBLY (TILLOTSON)
2	1399-110A1		2,2	FLOAT ASSEMBLY
3	17-20853		4,4	PIN, FLOAT LEVER PINION
4	1399-102		2,2	LEVER, FLOAT (LOWER)
5	1399-101		2,2	LEVER, FLOAT (UPPER)
6	1399-1138		2,2	INLET NEEDLE, SEAT & GASKET
27	27-25033		2,2	GASKET, INLET SEAT
	27-20851		2,2	GASKET, INLET SEAT (USE WITH OLD STYLE NEEDLE & SEAT)
7	1399-215		2,2	SCREEN, INLET
8	10-20847		2,2	SCREW, THROTTLE STOP LEVER
9	1399-97		2,2	LEVER, THROTTLE STOP
10	1399-216		2,2	SHAFT, THROTTLE
11	24-20869		2,2	SPRING, THROTTLE SHAFT RETURN
12	27-20848		2,2	GASKET, MAIN ADJUSTMENT SCREW GLAND
13	1399-94		2,2	GLAND, MAIN ADJUSTMENT SCREW
14	1399-108		2,2	PACKING, MAIN ADJUSTMENT SCREW
15	11-20849		2,2	NUT, MAIN ADJUSTMENT SCREW
16	1399-224		2,2	SCREW, MAIN ADJUSTMENT
17	24-20856		2,2	SPRING, IDLE ADJUSTMENT
18	1399-220		2,2	SCREW, IDLE ADJUSTMENT
19	1399-99		2,2	GASKET, FLOAT BOWL COVER
20	1399-100		2,2	COVER, FLOAT BOWL
22	10-20854		2,2	SCREW & LOCKWASHER, COVER MOUNTING (SHORT)
23	10-20857		2,2	SCREW & LOCKWASHER, COVER MOUNTING (LONG)
24	10-21471		2,2	SCREW & LOCKWASHER, CTHROTTLE SHUTTER
25	1399-107		2,2	SHETTER, THROTTLE
26	1399-96		2,2	TUBE, BY-PASS
28	19-20011		2,2	WELCH PLUG, BODY CHANNEL
-	10-20870		2,2	PLUG, BODY CHANNEL
31	1399-219		2,2	KNOB, HIGH SPEED ADJUSTMENT
32	10-21472		2,2	SCREW, SET - KNOB FASTENING
29	27-20183		2,2	GASKET, CARBURETOR FLANGE
30	11-20184		4,4	NUT, CARBURETOR MOUNTING STUD
-	1399-393		2,2	REPAIR PARTS KIT (CARBURETOR)
-	1399-961		2,2	GASKET AND PACKING SET (CARBURETOR)

FUEL FILTER ASSEMBLY

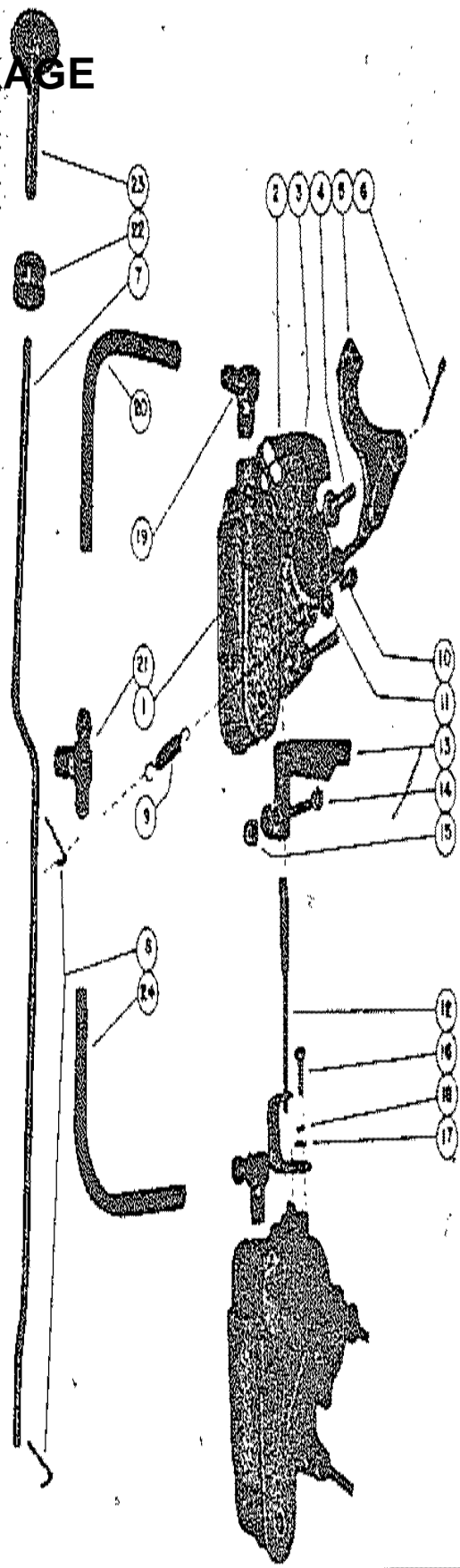


Handwritten mark resembling a stylized 'J' or '3'.

FUEL FILTER ASSEMBLY

REF. NO.	PART NO.	SYM.	QTY.	DESCRIPTION
1	20493		1,	BRACKET, FUEL FILTER TO CRANKCASE
-	22715		,1	BRACKET, FUEL FILTER TO CRANKCASE
2	11-20142		1,1	NUT, FILTER TOP TO BRACKET
3	13-20494		1,1	LOCKWASHER, FILTER TOP TO BRACKET
-	35-20555A2		1,1	FUEL FILTER ASSEMBLY
4	20495		1,1	TOP, FUEL FILTER
5	27-20496		1,1	GASKET, FILTER TOP
6	35-20555		1,1	ELEMENT, FUEL FILTER
7	20497		1,1	BOWL, FUEL FILTER
8	20498		1,1	BALE, BOWL TO FILTER TOP
9	24-20341		1,1	SPRING
10	27-20338		1,1	GASKET, FILTER ELEMENT
11	20499		1,1	PLATE, BACKING - FILTER ELEMENT
12	22-20781		1,	ELBOW, FUEL FILTER
	22-20781		,2	ELBOW, FUEL FILTER
-	22-20931		1,	TEE, FUEL FILTER
13	32-20932		1,	FUEL LINE, FILTER TO RECEPTACLE
	32-22795		,1	FUEL LINE, FILTER TO RECEPTACLE
-	54-22976		2,2	CLAMP, FUEL LINE

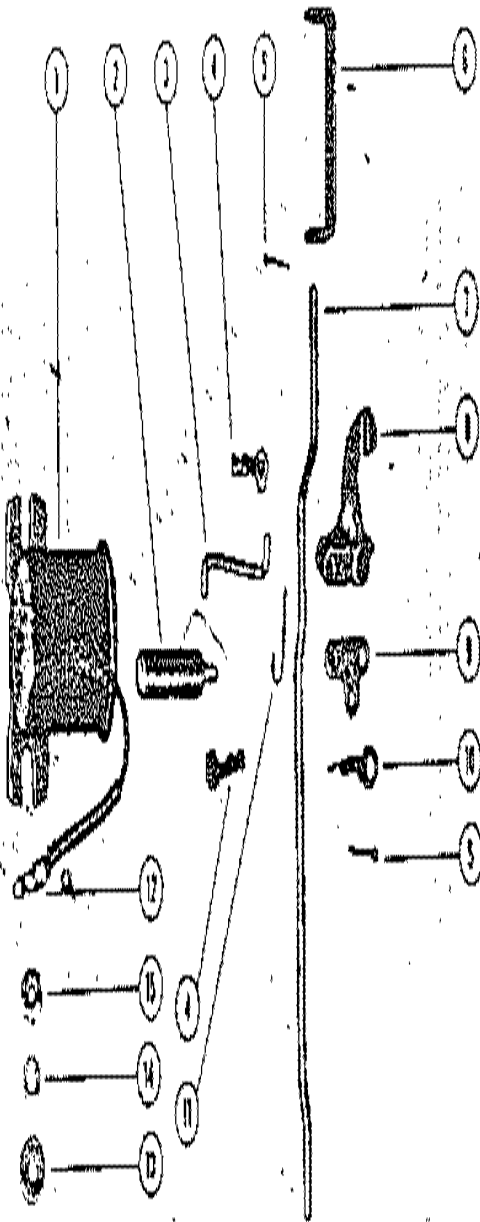
CARBURETOR LINKAGE



CARBURETOR LINKAGE

REF. NO.	PART NO.	SYM.	QTY.	DESCRIPTION
1	1302-146		2,2	CARBURETOR ASSEMBLY (TILLOTSON)
2	20173		2,2	SHUTTER, CHOKE
3	24-26067		2,2	SPRING, CHOKE SHUUTER
4	10-20176		2,2	SCREW, CHOKE LEVER PIVOT PIN
5	27942A1		2,	CHOKE LEVER ASSEMBLY
	27942A1		,1	CHOKE LEVER ASSEMBLY
6	18-20180		2,2	COTTER PIN, CHOKE LEVER RETAINING
7	21009		1,	CHOKE ROD
8	17-20648		2,2	PIN, CHOKE ROD
9	24-20649		1,	SPRING, CHOKE ROD POSITIONING
10	10-20650		1,	SCREW, CHOKE ROD SPRING MOUNTING
11	12-20192		1,1	WASHER, CHOKE ROD SPRING
12	20185A1		1,1	BRACKET ASSEMBLY, THROTTLE PICK-UP
13	20188		1,1	THROTTLE PICK-UP
14	10-20189		1,1	SCREW, THROTTLE PICK-UP LOCKING
15	11-20190		1,1	NUT, THROTTLE PICK-UP LOCKING SCREW
16	10-20191		1,1	SCREW, THROTTLE BRACKET MOUNTING
17	12-20192		1,1	WASHER, THROTTLE BRACKET MOUNTING SCREW
18	13-20193		1,1	LOCKWASHER, THROTTLE BRACKET MOUNTING SCREW
19	22-20781		2,	ELBOW, CARBURETOR
	22-20781		,1	ELBOW, CARBURETOR
-	22-20931		,1	TEE, UPPER CARBURETOR
20	32-20932		1,	FUEL LINE, UPPER CARBURETOR TO FUEL FILTER
21	22-20931		1,	TEE, FUEL FILTER
22	25-20116		1,	GROMMET, CHOKE ROD
23	20663		1,	KNOB, CHOKE ROD
24	32-20933		1,	FUEL LINE, LOWER CARBURETOR TO FUEL FILTER
-	32-22796		,1	FUEL LINE, FUEL FILTER TO UPPER CARBURETOR
-	32-22797		,1	FUEL LINE, CARBURETOR TO CARBURETOR
-	54-22976		4,4	CLAMP, FUEL LINE

CHOKE SOLENOID AND LINKAGE

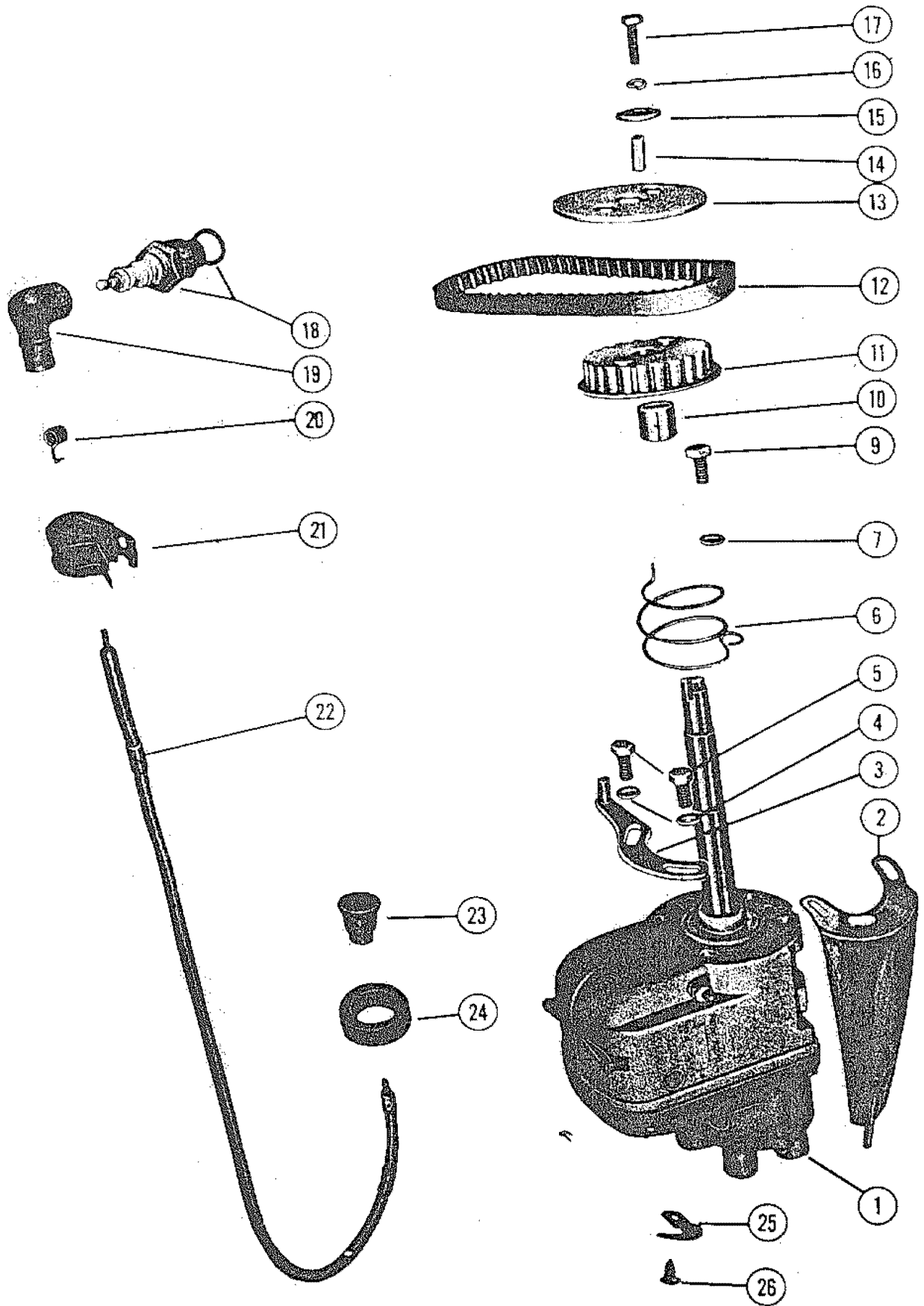


A

CHOKE SOLENOID AND LINKAGE

REF. NO.	PART NO.	SYM.	QTY.	DESCRIPTION
1	22609		1	CHOKE SOLENOID
2	22782		1	PLUNGER, CHOKE SOLENOID TO LINK ROD
3	22466		1	LINK, CHOKE SOLENOID
-	12-20192		1	WASHER, CHOKE SOLENOID LINK
4	54-22465		2	CLEVIS CLIP, CHOKE LINK TO CHOKE ROD
5	18-20180		3	COTTER PIN, CHOKE LEVER AND "U" LINK RETAINING
6	22462		1	"U" LINK, CHOKE KNOB TO CHOKE ROD
-	13-20040		1	LOCKWASHER, "U" LINK TO CHOKE KNOB
-	10-20100		1	SCREW, "U" LINK TO CHOKE KNOB
7	22467		1	CHOKE ROD
8	22505A1		1	CHOKE LEVER ASSEMBLY, UPPER CARBURETOR
9	22464		1	ADAPTOR, UPPER CHOKE LEVER
10	24-26068		1	SPRING, ROD POSITIONING
11	17-20648		2	PIN, CHOKE ROD AND LEVER ASSEMBLY
12	22647		1	DISCONNECT, KNIFE SPLICE
13	12-20533		2	WASHER, CHOKE SOLENOID SCREW
14	13-20147		2	LOCKWASHER, CHOKE SOLENOID SCREW
15	11-21825		2	NUT, CHOKE SOLENOID SCREW
-	10-20776		2	SCREW, CHOKE SOLENOID TO STARTER MOTOR
-	22463		1	KNOB, CHOKE
-	12-26014		1	WASHER, CHOKE SPRING

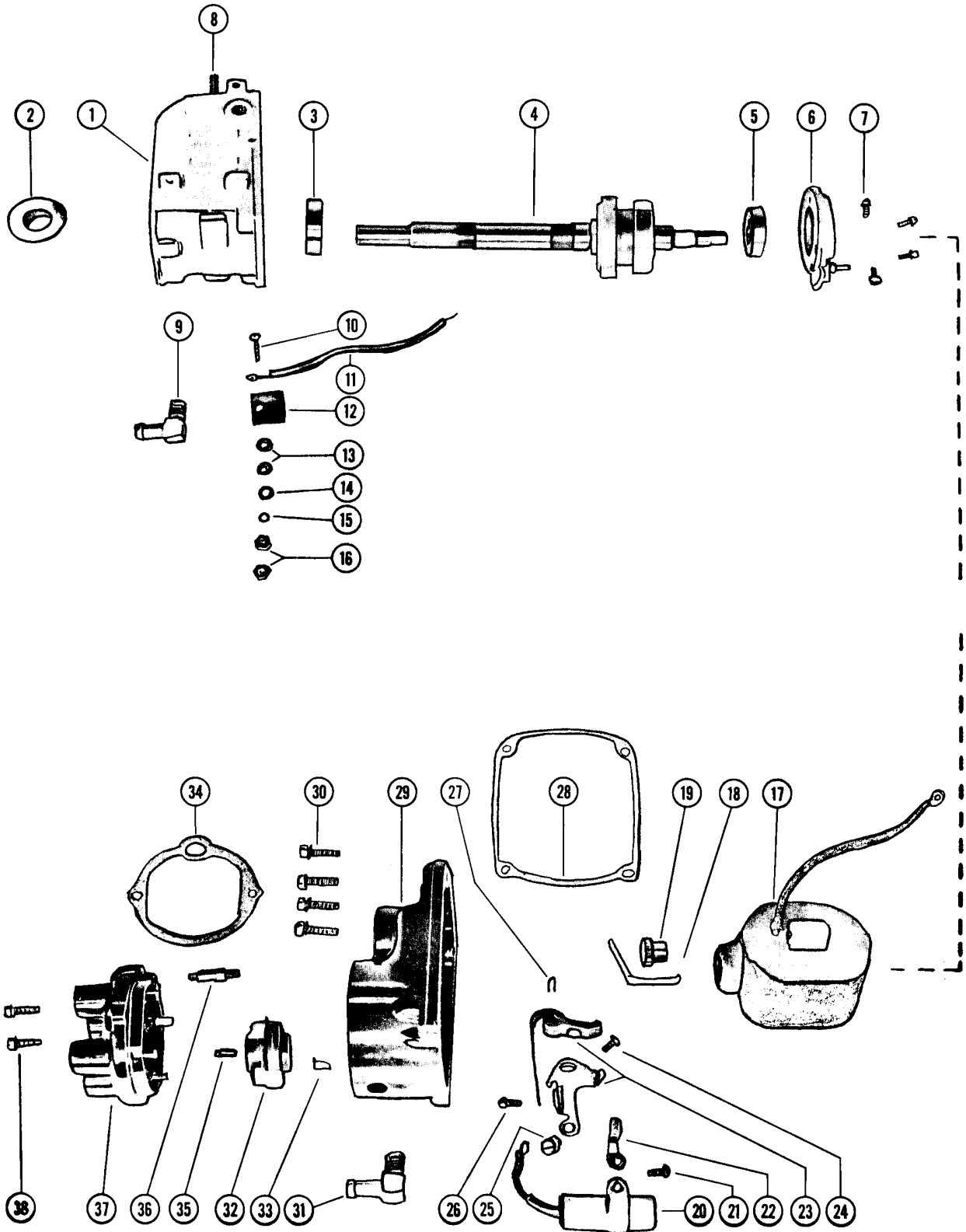
MAGNETO



MAGNETO

REF. NO.	PART NO.	SYM.	QTY.	DESCRIPTION
1	300-35		1,1	MAGNETO ASSEMBLY , COMPLETE (FM-XV4B760D)
2	21014		1,1	BRACKET , MAGNETO ACTUATING (UPPER)
3	20131A1		1,1	BRACKET , CARBURETOR ACTUATING
4	12-20533		2,2	WASHER , CARBURETOR BRACKET SCREW
5	10-20031		2,2	SCREW , CARBURETOR BRACKET TO MAGNETO
6	24-F2097		2,2	SPRING , MAGNETO ASSEMBLY TORSION
7	12-20533		1,1	WASHER , MAGETO BRACKET & SPRING SCREW
9	10-20031		2,2	SCREW , MAG. ACTUATING BRACKET TO MAGNETO
10	23-20134		1,1	SPACER , MAGNETO TIMING PULLEY
11	20135		1,1	PULLEY , DRIVEN
12	20140		1,1	BELT , TIMING
13	20136		1,1	FLANGE , DRIVEN PULLEY
14	28-20137		1,1	KEY, MAGNETO DRIVING
15	12-20138		1,1	WASHER , MAGNETO PULLEY CLAMPING SCREW
16	13-20040		1,1	LOCKWASHER , PULLEY CLAMPING SCREW
17	10-20139		1,1	SCREW , MAGNETO PULLEY CLAMPING
18	33-20127		4,4	SPARK PLUG
19	20119		4,4	PROTECTOR , SPARK PLUG (INCLUDES REF. #20)
20	N.S.S.		4,4	SPRING , SPARK PLUG PROTECTOR
21	20534		2,2	CLIP , HIGH TENSION LEADS TO CYLINDER BLOCK
-	10-20540		2,2	SCREW , HIGH TENSION LEAD CLIP FASTENING
-	13-20924		2,2	LOCKWASHER , HIGH TENSION LEAD CLIP SCREW
22	20114A2		1,1	HIGH TENSION LEAD ASSEMBLY (# CYL.)
-	N.S.S.		1,1	CABLE , HIGH TENSION LEAD
-	20121		1,1	TERMINAL , HIGH TENSION LEAD
	20122A2		3,3	HIGH TENSION LEAD ASSEMBLY (#2,3 &4 CYL.)
-	N.S.S.		3,3	CABLE , HIGH TENSION LEAD
-	20121		3,3	TERMINAL , HIGH TENSION LEAD
23	20120		4,4	RUBBER CAP , HIGH TENSION LEAD
24	25-20273		2,2	RUBBER RING , HIGH TENSION LEAD CABLE
25	21826		1,1	CLIP , NYLON CABLE TO MAGNETO
26	10-22815		1,1	SCREW , NYLON CABLE CLIP TO MAGNETO
-	22-20781		2,2	ELBOW , MAGNETO END CAP & FRAME
-	397-416A1		1,1	GROUND STRAP ASS'Y (W/TERMINALS)

MAGNETO (INTERNAL PARTS)

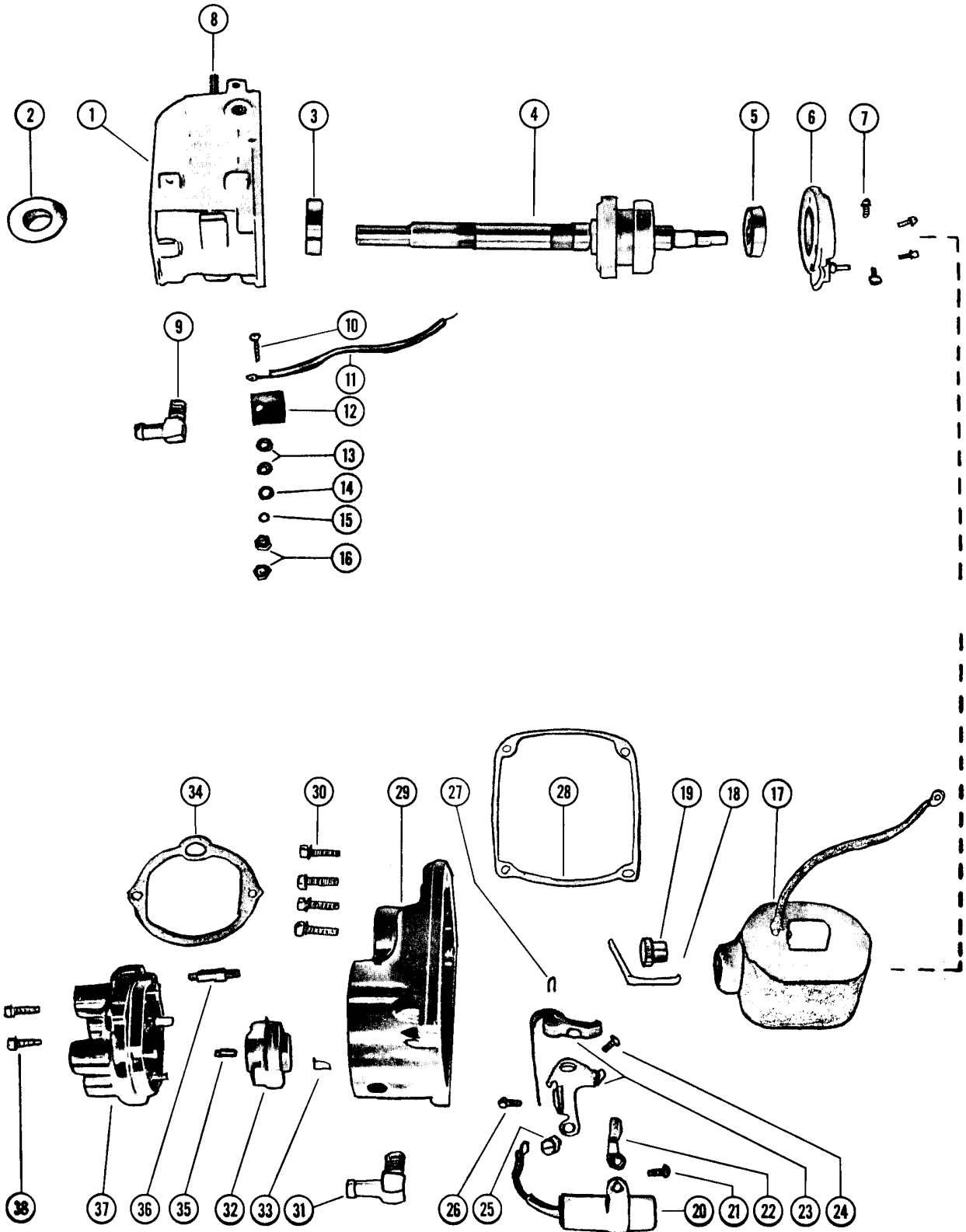


MAGNETO (INTERNAL PARTS)

REF. NO.	PART NO.	SYM.	QTY.	DESCRIPTION
-	300-35		1,1	MAGNETO ASSEMBLY , COMPLETE (FM0XV4B70D)
1	397-902		1,1	FRAME
2	397-908		1,1	SEAL , MAGNETIC ROTOR SHAFT
3	30-24998		1,1	BEARING , BALL -ROTOR (DRIVE END)
4	397-906		1,1	MAGNET ROTOR & SHAFT
5	30-24997		1,1	BEARING , BALL - ROTOR (OPP. DRIVE END)
6	397-918		1,1	SUPPORT , BEARING PLATE
7	10-22540		4,4	SCREW & LOCKWASHER , BEARING SUPPORT
8	10-22546		2,2	SCREW , SET - COIL BRIDGE
-	22555		1,1	LOCKWIRE , COIL BRIDGE SET SCREW
9	22-20781		1,1	ELBOW , MAGNETO VENT LINE
10	10-22552		1,1	SCREW , PRIMARY GROUND
11	397-909		1,1	WIRE , PRIMARY GROUND
12	397-371		1,1	INSULATOR , PRIMARY GROUND TERMINAL
-	23-22544		1,1	BUSHING , PRIMARY GROUND SCREW INSULATING
13	12-22559		2,2	WASHER , INSULATING - GROUND TERMINAL
14	12-22545		1,1	WASHER , PRIMARY GROUND SCREW
15	13-22543		1,1	LOCKWASHER , PRIMARY GROUND SCREW
16	11-22553		2,2	NUT , PRIMARY GROUND SCREW
17	397-430		1,1	COLI , IGNITION
18	397-919		1,1	CLIP , COIL
19	11-24994		1,1	NUT , COIL CLIP
20	397-874		1,1	CONDENSER
21	10-22540		1,1	SCREW , CONDENSER MOUNTING
22	397-355		1,1	CAM WICK & HOLDER
23	397-352A1		1,1	BREAKER ARM ASSEMBLY
24	10-24980		1,1	SCREW , CONTACT SUPPORT LOCKING
-	13-22542		1,1	LOCKWASHER , CONTACT SUPPORT LOCKING SCREW
-	12-22545		1,1	WASHER , CONTACT SUPPORT LOCKING SCREW
-	12-22558		1,1	WASHER , CONTACT SUPPORT LOCKING SCREW
25	10-24978		1,1	SCREW , CONTACT SUPPORT
-	13-22543		1,1	LOCKWASHER , CONTACT SUPPORT SCREW
26	10-24977		1,1	SCREW , BREAKER TERMINAL
27	18-22534		1,1	PIN , FULCRUM (SNAP RING)
28	27-22551		1,1	GASKET , END CAP
29	397-429		1,1	END CAP
30	10-22539		4,4	SCREW & LOCKWASHER , END CAP
31	22-20781		1,1	ELBOW , MAGNETO VENT LINE
32	397-898		1,1	ROTOR , DISTRIBUTOR
33	24-22565		1,1	SPRING , DISTRIBUTOR ROTOR

CONTINUED ON NEXT PAGE ➡

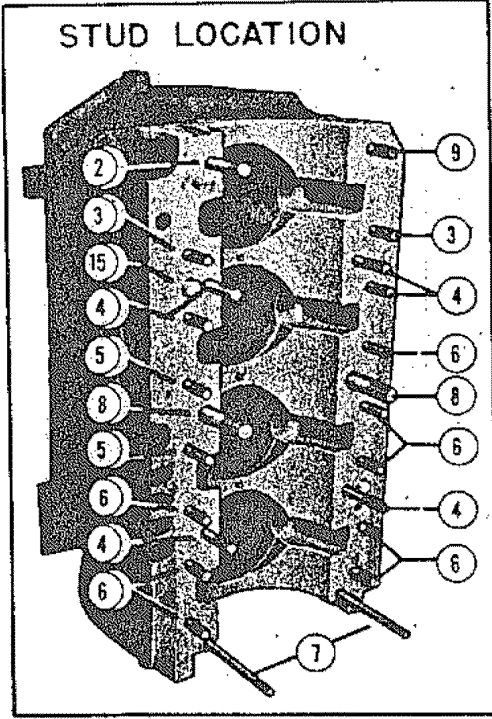
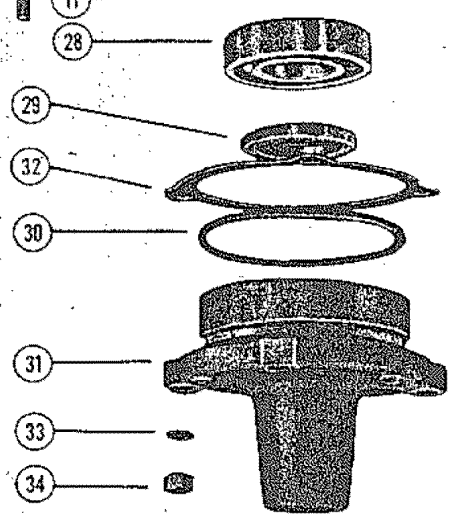
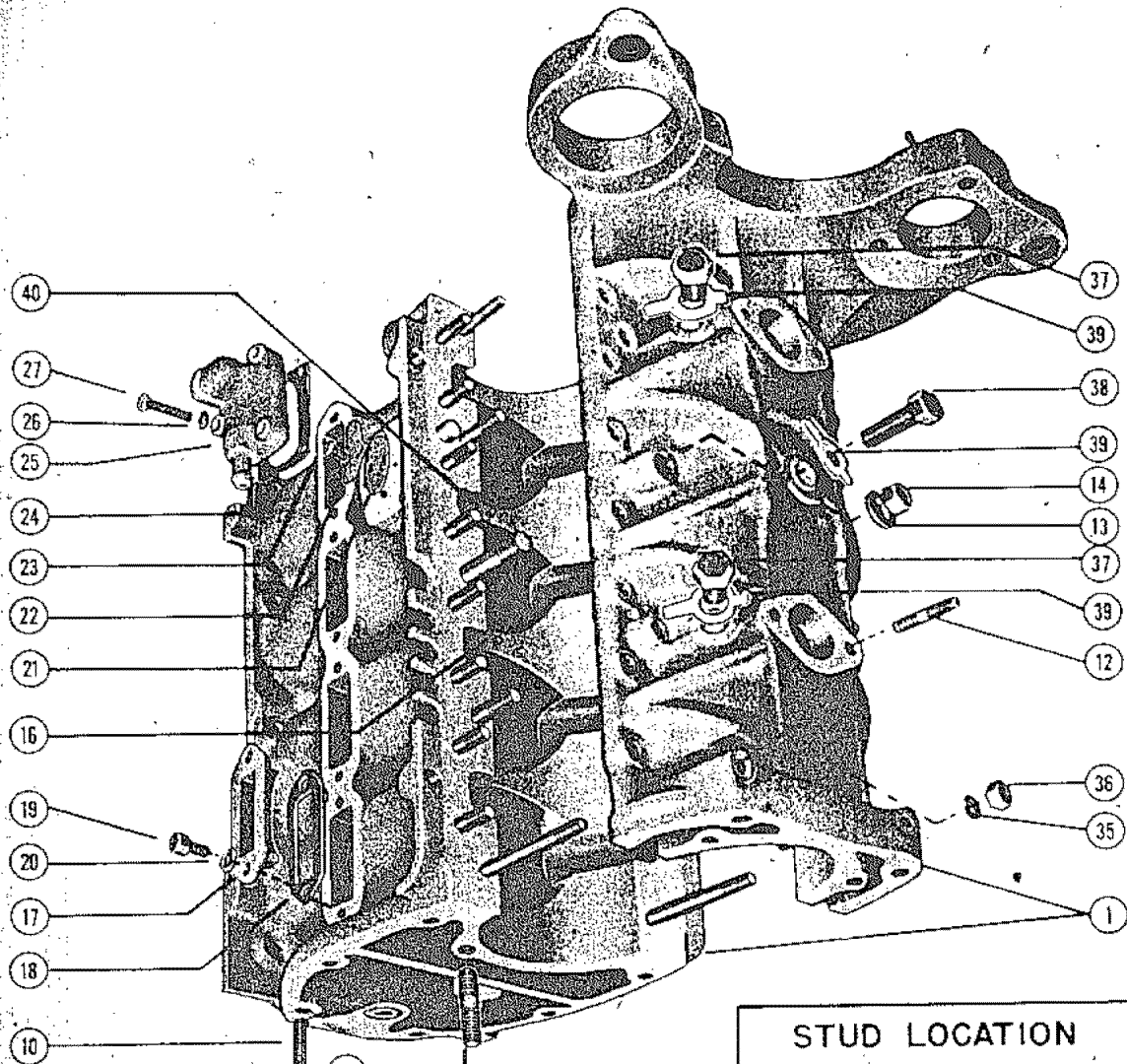
MAGNETO (INTERNAL PARTS)



MAGNETO (INTERNAL PARTS)

REF. NO.	PART NO.	SYM.	QTY.	DESCRIPTION
34	27-22536		1,1	GASKET , END CAP COVER
35	397-360		1,1	BRUSH & SPRING , COIL LEAD
36	397-428		1,1	LEAD , HIGH TENSION (DISTRIBUTOR)
37	397-901		1,1	COVER , END CAP
38	10-22537		2,2	SCREW & LOCKWASHER , END CAP COVER

CYLINDER BLOCK & CRANKCASE ASSEMBLY (INTAKE SIDE)

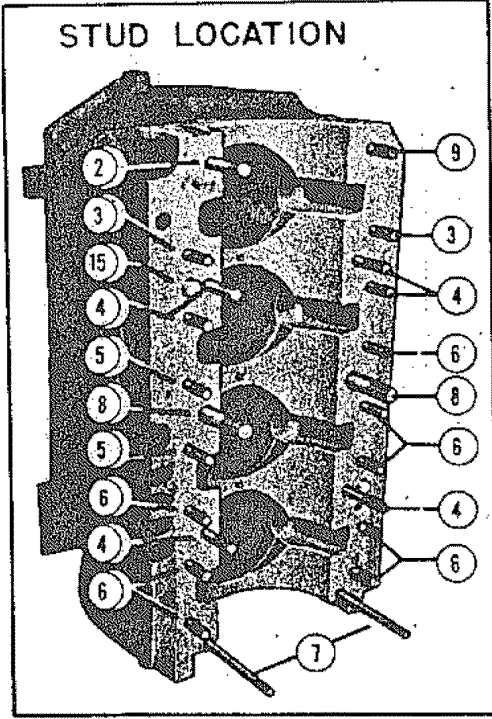
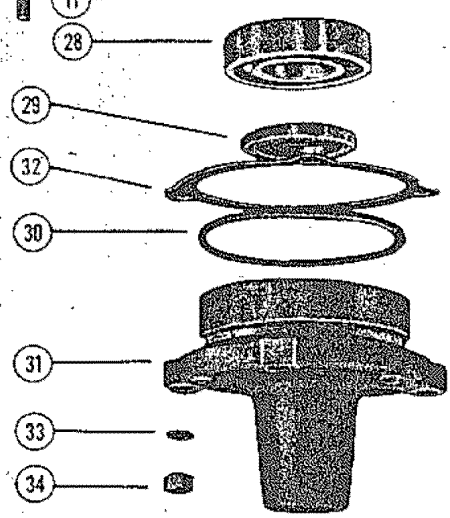
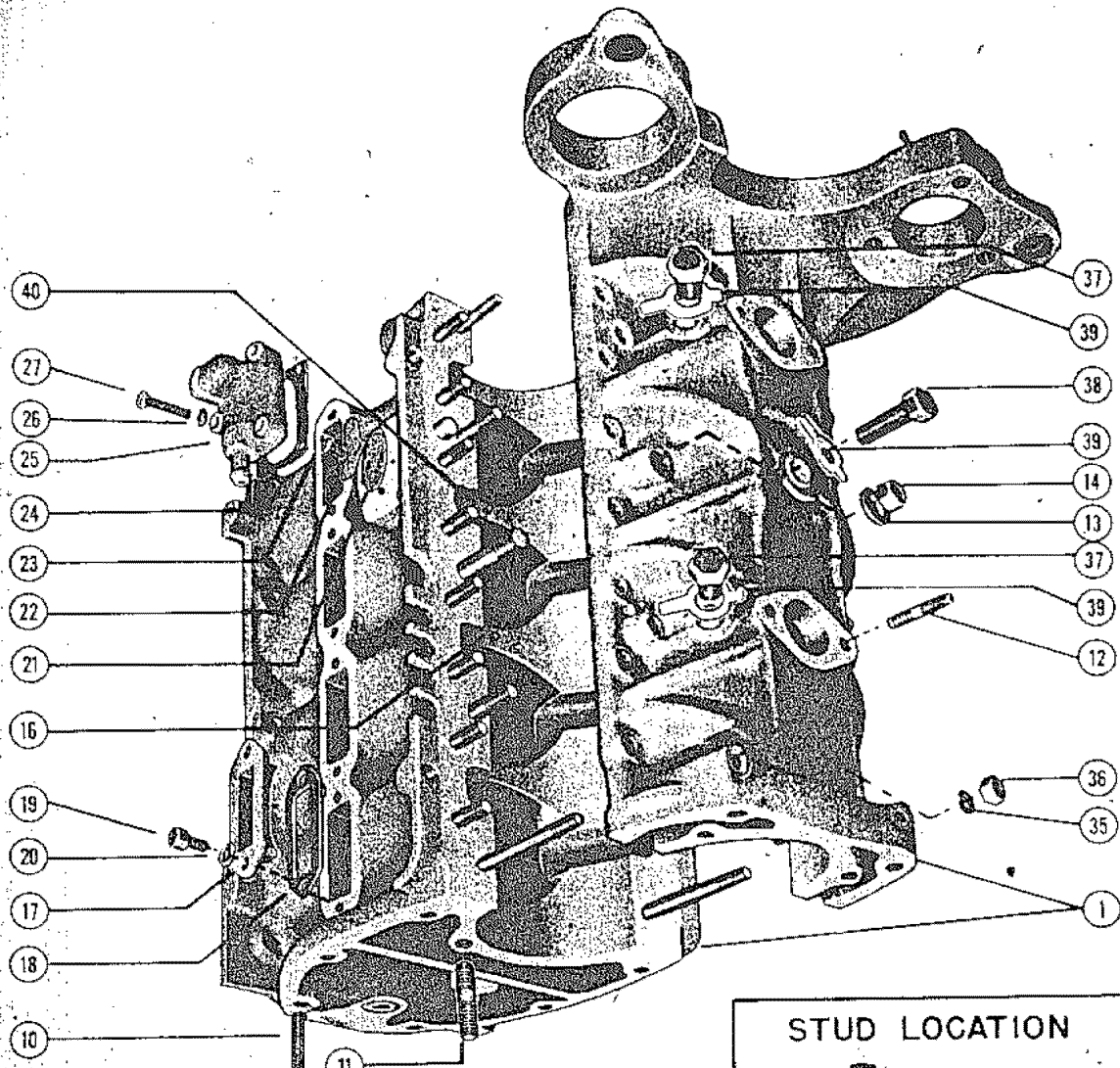


CYLINDER BLOCK & CRANKCASE ASSEMBLY (INTAKE SIDE)

REF. NO.	PART NO.	SYM.	QTY.	DESCRIPTION
1	800-8A2		1,1	CYLINDER BLOCK & CRANKSHAFT ASSEMBLY
-	N.S.S.		1,1	BLOCK CYLINDER
-	N.S.S.		4,4	LINER , CYLINDER
-	20065		4,4	INSERT , HELI-COIL
2	16-20984		1,1	STUD ,CYLINDER BLOCK TO CRANKSHAFT
3	16-20985		2,2	STUD , CYLINDER BLOCK TO CRANKSHAFT
4	16-20352		6,6	STUD , CYLINDER BLOCK CRANKSHAFT
5	16-20484		2,2	STUD , CYLINDER BLOCK CRANKSHAFT
6	16-20074		8,8	STUD , CYLINDER BLOCK CRANKSHAFT
7	16-20355		2,2	STUD , CYLINDER BLOCK CRANKSHAFT
8	16-20354		2,2	STUD , CYLINDER BLOCK CRANKSHAFT
9	16-20983		1,1	STUD , CYLINDER BLOCK CRANKSHAFT
10	16-20357		6,6	STUD , CYLINDER BLOCK TO DRIVE SHAFT HOUSING
-	16-20351		2,2	STUD , CYLINDER BLOCK TO UPPER END CAP
11	16-20078		1,1	STUD , CYLINDER BLOCK TO LOWER END CAP
1	N.S.S.		1,1	CRANKCASE
-	23-20528		2,2	BUSHING ASSEM,BLY , CRANKCASE
10	16-20357		2,2	STUD , CARNKCASE TO DRIVE SHAFT HOUSING
11	16-20078		2,2	STUD , CRANKCASE TO LOWER END CAP
12	16-20074		4,4	STUD CARBURETOR MOUNTING
-	16-20351		2,2	STUD , CRANKCASE TO UPPER END CAP
13	12-20086		2,2	WASHER , (16-20354)
14	11-20087		2,2	NUT (16-203254 STUD)
15	17-20033		2,2	DOWEL PIN , CYLINDER BLOCK TO CRANKCASE
16	17-20323		1,1	DOWEL PIN , CYLINDER BLOCK TO CENTER MAIN BRG.
17	20029		4,4	COVER , TRANSFR PORT
18	27-20030		4,4	GASKET , TRANSFER PORT COVER
19	10-21185		6,6	SCREW , TRANSFER PORT COVER MOUNTING
-	10-20540		2,2	SCREW , TRANSFER PORT COVER MOUNTING
20	12-20028		8,8	WASHER , TRANSFER PORT COVER SCREW
-	13-20924		2,2	LOCKWASHER , TRANSFER PORT COVER SCREW
21	34-20035		1,1	REED , FUEL PRESSUE VALVE
22	34-20036		1,1	STOP , FUEL PRESSUE VALVE REED
23	10-20037		2,2	SCREW , FUEL PRESSUE VALVE COVER
24	27-20039		1,1	GASKET , PRESSUE VALVE
25	20038		1,1	COVER , PRESSUE VALVE
26	13-20040		3,3	LOCKWASHER , PRESSUE VALVE COVER SCREW
27	10-20041		3,3	SCREW , PRESSUE VALVUE COVER MOUNTING
-	11Q224A1		1,1	END CAP ASSEMBLY LOWER
28	30-20080		1,1	BALL BEARING , LOWER END CAP
29	26-25840		1,1	OIL SEAL , LOWER END CAP BALL BEARING
30	25-20081		1,1	"O" RING LOWER END CAP
31	N.S.S.		1,1	END CAP LOWER

CONTINUED ON NEXT PAGE ➡

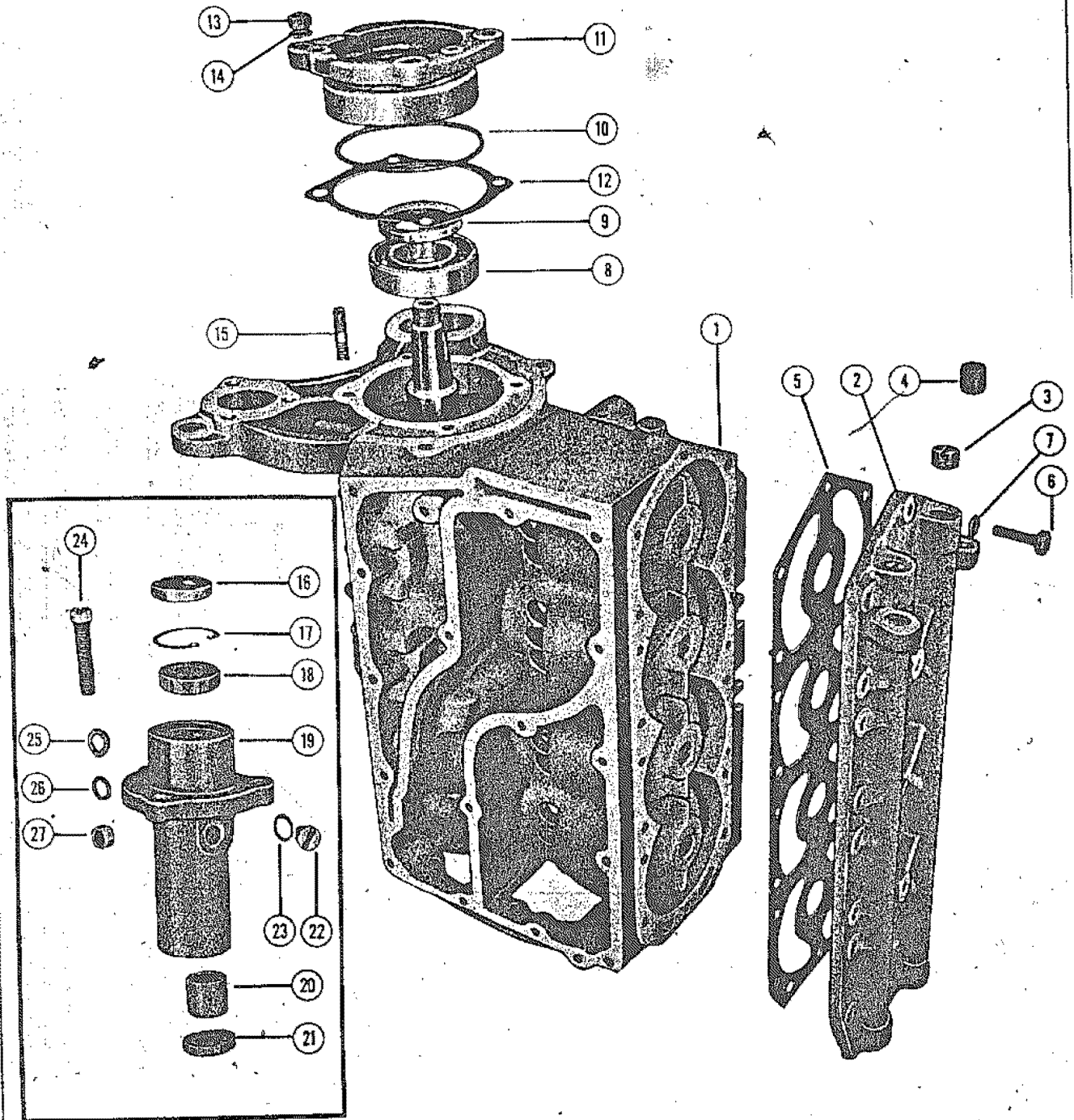
CYLINDER BLOCK & CRANKCASE ASSEMBLY (INTAKE SIDE)



CYLINDER BLOCK & CRANKCASE ASSEMBLY (INTAKE SIDE)

REF. NO.	PART NO.	SYM.	QTY.	DESCRIPTION
32	15-20085		0	SHIM END CAP TO CRANKCASE
33	13-20223		3,3	WASHER , END CAP MOUNTING STUD
34	11-20083		3,3	NUT , END CAP MOUNTING STUD
35	11-20028		18,18	WASHER , CRANKCASE STUD
36	11-20088		18,18	NUT , CRANKCASE STUD
-	12-20546		4,4	WASHER , CRANKCASE STUD
-	11-20083		4,4	NUT , CRANKCASE STUD
37	10-20089		2,2	SCREW , MAIN BEARING LOCKING
38	10-20359		1,1	SCREW CENTER MAIN BEARING LOCKING
39	14-20091		3,3	TAB WASHER , BEARING LOCKING SCREW
40	17-20032		2,2	DOWEL PIN , CYLINDER BLOCK TO MAIN BEARING

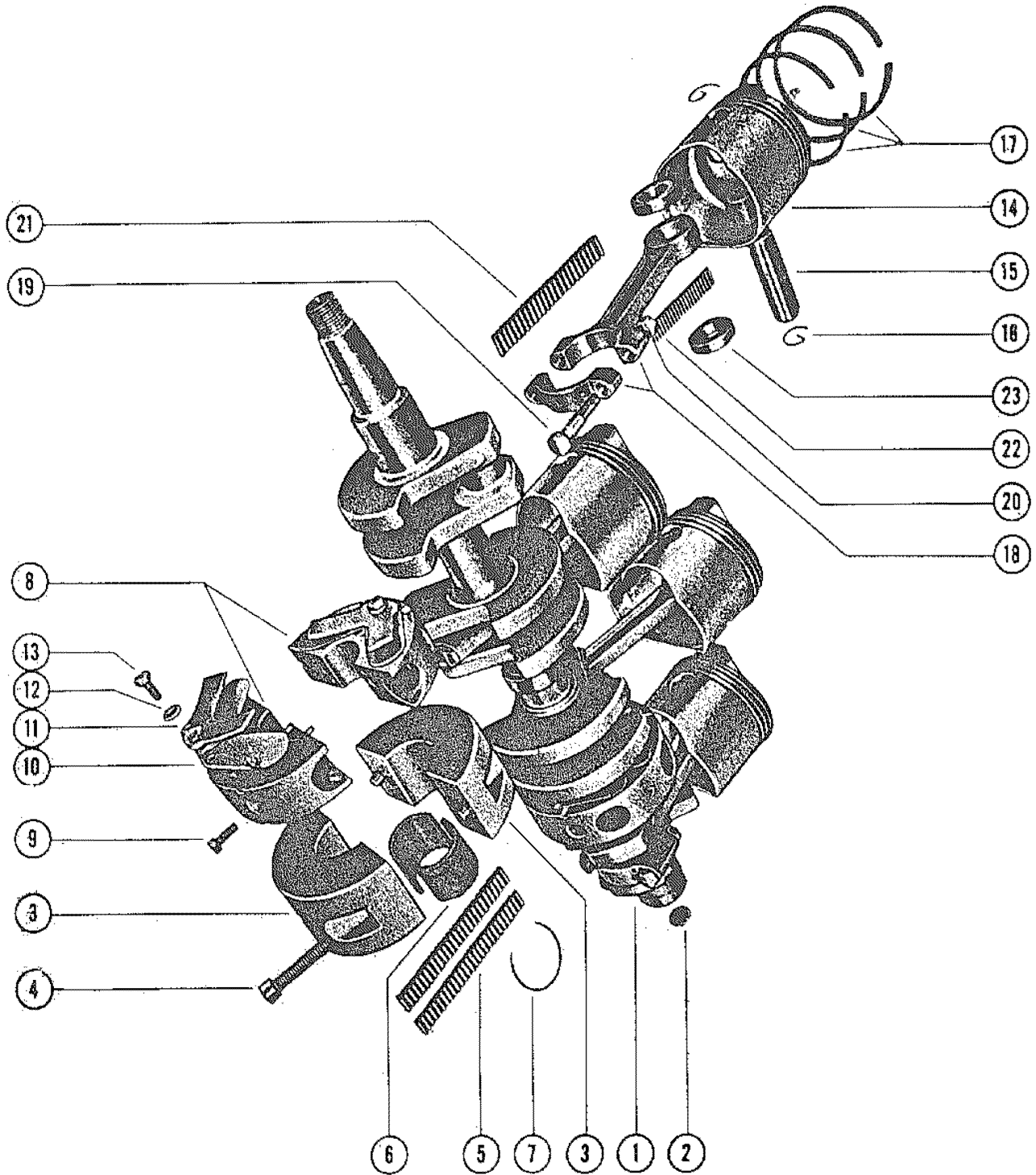
CYLINDER BLOCK & CRANKCASE ASSEMBLY (EXHAUST SIDE)



CYLINDER BLOCK & CRANKCASE ASSEMBLY (EXHAUST SIDE)

REF. NO.	PART NO.	SYM.	QTY.	DESCRIPTION
1	N.S.S.		1,1	CYLINDER BLOCK
2	1001-19A1		1,1	CYLINDER BLOCK COVER ASSEMBLY
-	N.S.S.		1,1	COVER , CYLINDER BLOCK
3	22-20025		4,4	PIPE PLUG , CYLINDER BLOCK COVER
-	23-20582		2,2	BUSHING ASSY., CYLINDER BLOCK COVER
4	23-20326		2,2	SPACER , CYL. BLOCK COVER TO TOP COWL
5	27-20026		1,1	GASKET , CYLINDER BLOCK COVER
6	10-20027		18,18	SCREW , CYLINDER BLOCK COVER MOUNTING
7	12-20028		18,18	WASHER , CYL BLOCK COVER MTG SCREW
-	1100-39A1		1,	END CAP ASSEMBLY , UPPER
-	1100-339A1		1,1	END CAP ASSEMBLY , UPPER
8	30-20080		1,1	BALL BEARING UPPER END CAP
9	26-20079		1,1	OIL SEAL , UPPER END CAP BEARING
10	25-20081		1,1	"O" RING UPPER END CAP
11	N.S.S.		1,1	END CAP , UPPER
12	15-20082		1,1	SHIM , END CAP COVER TO CRANKCASE
13	11-20083		4,4	NUT, END CAP COVER MOUNTING STUD
14	13-20223		4,4	WASHER , END CAP COVER MTG. STUD NUT
15	16-20351		4,4	STUD , CRANKCASE TO UPPER END CAP
-	20996A1		1,1	MAGNETO ADAPTER ASSEMBLY
16	26-21969		1,1	OIL SEAL , MAGNETO SHAFT BEARING
17	53-20067		1,1	SNAP RING , MAGNETO SHAFT BEARING
18	30-20066		1,1	BALL BEARING , MAGNETO SHAFT
19	N.S.S.		1,1	ADAPTER , MAGNETO
20	31-20069		1,1	NEEDLE BEARING , MAGNETO SHAFT LOWER
21	26-21970		1,1	OIL SEAL , MAGNETO SHAFT NEEDLE BRG.
22	10-20259		1,1	SCREW , GREASE FILLER HOLE
23	12-20260		1,1	WASHER , GREASE FILLER SCREW
24	10-21046		3,3	SCREW , MAGNETO ADAPTER TO CRANKCASE
25	13-20223		3,3	LOCKWASHER , MAG. ADAPTER TO CRANKCASE
26	12-20546		3,3	WASHER , MAGNETO ADAPTER SCREW
27	11-20083		3,3	NUT , MAGNETO ADAPTER SCREW
-	27-20095		1,1	GASKET , CYL. BLOCK TO MANIFOLD PLATE
-	20096		1,1	PLATE , EXHAUST MANIFOLD
-	27-20097		1,1	,GASKET , MANIFOLD PLATE COVER
-	10-20098		17,17	SCREW , MANIFOLD COVER MOUNTING
-	13-20924		17,17	LOCKWASHER , MANIFOLD COVER SCREW
-	27-20390		1,1	GASKET , POWERHEAD TO BOTTOM COWL
-	32-20934		1,1	,AIR LINE
-	27-21919		1,1	GASKET SET

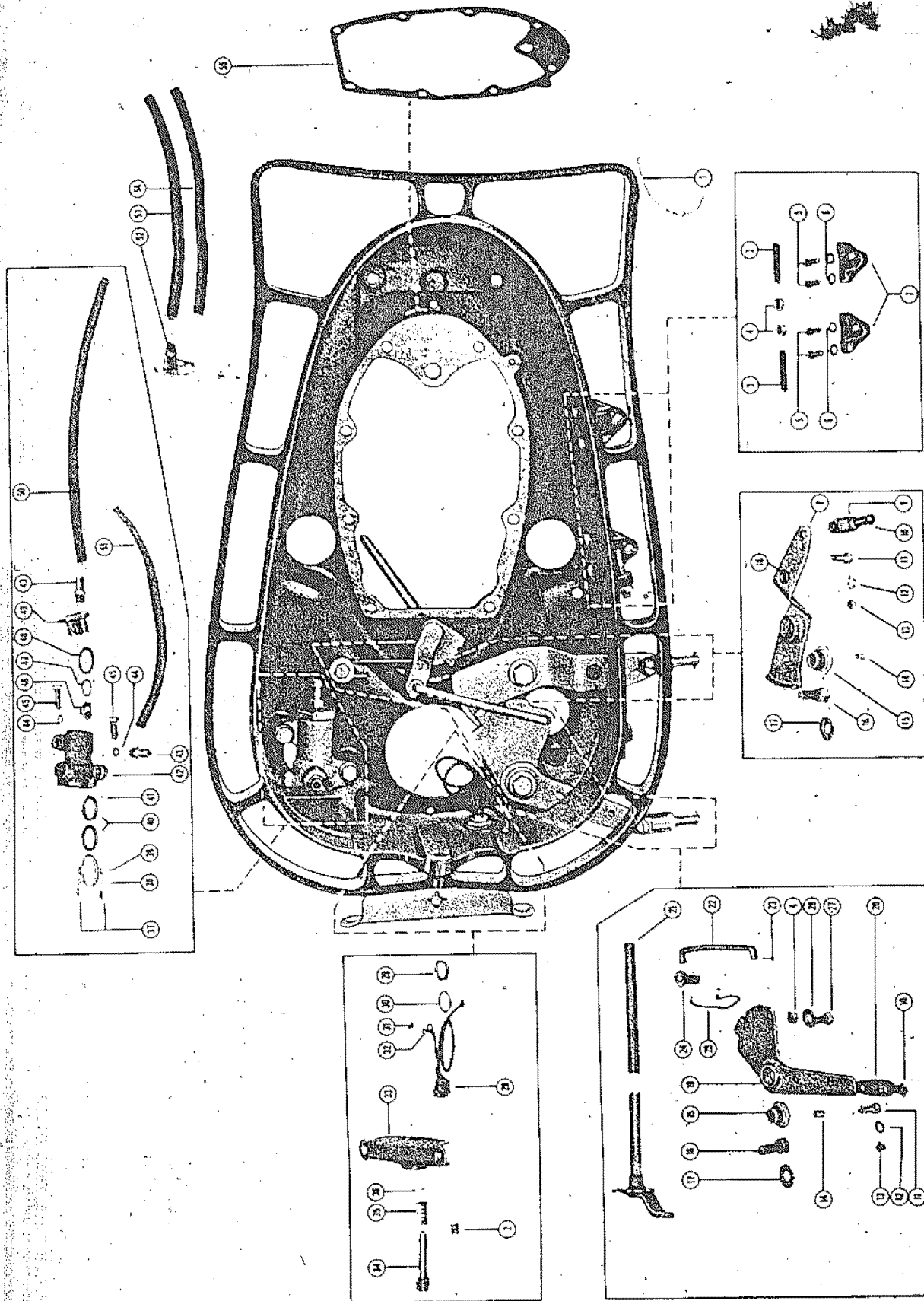
CRANKSHAFT - PISTON & CONNECTING RODS



CRANKSHAFT - PISTON & CONNECTING RODS

REF. NO.	PART NO.	SYM.	QTY.	DESCRIPTION
1	400-3		1,1	CRANKSHAFT
2	20043		1,1	FELT OILER , DRIVE SHAFT SPLINE
3	500-12A2		1,1	CENTER MAIN BEARING ASSEMBLY
-	N.S.S.		1,1	BEARING CENTER MAIN
-	17-20032		2,2	DOWEL PIN . CENTER MAIN BRG . ASSEMBLY
4	10-20482		2,2	SCREW , CENTER MAIN BEARING ASSEMBLY
5	29-20046		56,56	NEEDLE ROOLER, CENTER MAIN BEARING
	29-20046		56,56	NEEDLE ROLLER , CENTER MAIN BEARING
6	20047		1,1	RACE , OUTER
7	53-20048		1,1	SNAP RING , OUTER RACE CLAMPING
-	17-20379		1,1	,DOWEL PIN (STEPPED)
8	501-53		2,2	MAIN BEARING , VALVE TYPE
-	17-20392		4,4	,DOWEL PIN , MAIN BEARING
9	10-20049		4,4	SCREW , MAIN BEARING
-	17-20055		16,16	DOWEL PIN , MAIN BEARING
10	34-20888		2,2	REED SET , MAIN BEARING VALVE
11	34-20053		8,8	REED STOP , MAIN BEARING REED VALVES
12	12-20054		8,8	WASHER , REED STOP MOUNTING SCREW
13	10-20055		8,8	SCREW , REED STOP MOUNTING
-	700-6A1		4,4	ASSEMBLY . PISTON , PISTON PIN & LOCKING RING
14	N.S.S.		4,4	PISTON
15	N.S.S.		4,4	PISTON PIN
16	40-20057		8,8	LOCK RING , PISTON PIN
17	39-20058		12,12	RING PISTON
-	600-7A1		4,4	ASSEMBLY , CONNECTING ROD & CAP
18	N.S.S.		4,4	CONNECTING ROD & CAP
19	10-20060		8,8	SCREW , CONNECTING ROD
20	11-20061		8,8	NUT , CONNECTING ROD
21	29-20046		100,100	NEEDLE ROLLER , CRANKPIN
22	29-20063		88,88	NEEDLE ROLLER , PISTON PIN
23	12-20064		8,8	WASHER , NEEDLE LOCATING
-	714-497A1		4,4	PISTON & PIN ASSEMBLY .015" O.S.
-	39-20992		12,12	RING .015" O.S.

BOTTOM COWL ASSEMBLY

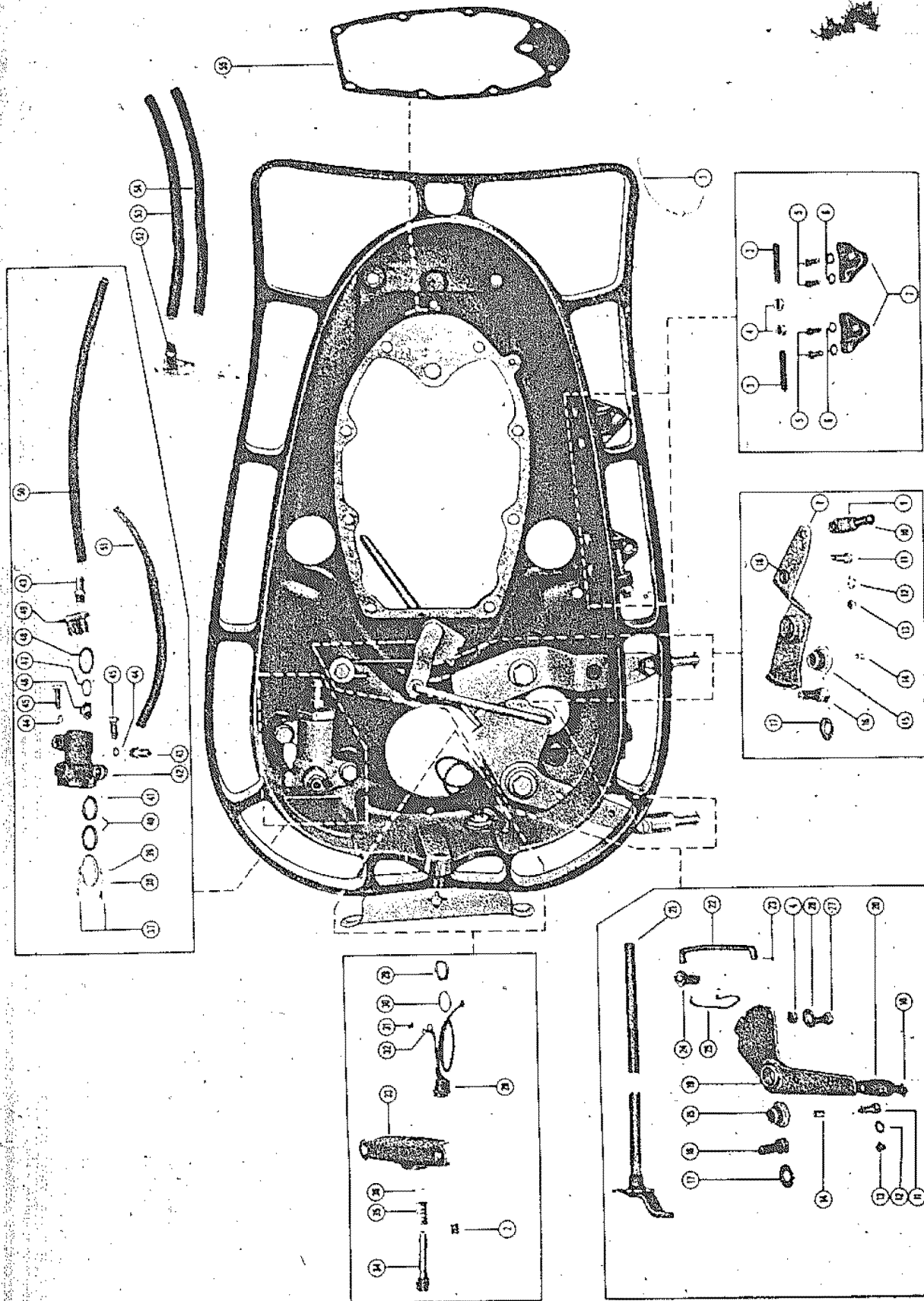


BOTTOM COWL ASSEMBLY

REF. NO.	PART NO.	SYM.	QTY.	DESCRIPTION
1	103-230A2		1,	BOTTOM COWL ASSEMBLY
	103-401A2		,1	BOTTOM COWL ASSEMBLY
-	23-20315		1,1	BUSHING , NYLON - UPPER SHIFT SHAFT
2	21041		1,1	INSERT , TAP - LOCK
-	37-23076		,2	DECAL , MERCELECTRIC
3	10-20364		2,2	SCREW , TROTTLE STOP ADJUSTING SERIAL 00000000-00793841
4	11-20013		2,2	JAM NUT , TROTTLE STOP ADJUSTING SCREW SERIAL 00000000-00793841
-	21968		2,2	STOP BLOCK , TROTTLE ADJUSTING
-	12-21967		2,2	WASHER , STOP BLOCK SCREW
-	10-20474		2,2	SCREW , STOP BLOCK HOLDING
5	10-20100		4,4	SCREW , ANCHOR BRACKET TO COWL
6	13-20554		4,4	LOCKWASHER , ANCHOR BRACKET SCREW
7	20557		2,2	BRACKET , CABLE AND ANCHOR
8	21017		1,1	BRACKET , MAGNETO CONTROL (LOWER)
9	17-20989A1		1,1	PIN ASSEMBLY , CLEVIS YOKE - TROTTLE
10	17-20271		1,1	ROLL PIN , CLEVIS YOKE PIN
11	10-20584		2,2	SCVREW , CLEVIS PIN FASTENING
12	13-20511		2,2	WASHER , WAVE -PIN FASTENING SCREW
13	11-20110		2,2	NUT , PIN FASTENING SCREW
14	23-21008		2,2	BUSHING , MAGNETO BRACKET AND SHIFT LEVER
15	23-20008		2,2	BUSHING , MAGNETO BRACKET AND SHIFT LEVER
16	10-22864		1,1	SCREW , MAGNETO BRACKET FASTENING
17	12-21040		1,1	WASHER , FASTENING SCREW
18	23-23323		1,1	BUSHING , MAGNETO CONTROL BRACKET
19	21018		1,1	LEVER , SHIFT CONTROL
20	17-20592A1		1,1	PIN ASSEMBLY , CLEVIS YOKE - SHIFT
10	17-20271		1,1	ROLL PIN , CLEVIS YOKE PIN
21	20954A1		1,1	SHIFT SHAFT ASSEMBLY (UPPER)
22	21006		1,1	ROD , LINK - SHIFT SHAFT
23	18-20180		1,1	COTTER PIN , LINK ROD TO SHIFT SHAFT
24	24-21054		1,1	SPRING , CLIP-LINK ROD RETAINING
25	24-21007		1,1	SPRING , DETENT
26	12-20346		1,1	WASHER , DETENT SPRING SCREW
27	10-20776		1,1	SCREW , DETENT SPRING TO COWL
4	11-20013		1,1	NUT , DETENT SPRING SCREW
28	21104A2		1,	CONNECTING BASE ASSEMBLY
29	11-21971		1,	NUT , CONNECTOR BASE
30	13-21972		1,	LOCKWASHER , CONNECTOR BASE
31	54-21826		1,	CLIP , CONNECTOR CABLE
32	10-21106		1,	SCREW , CABLE TO COWL
33	21065		1,1	BRACKET , REMOTE STEERING (SUPERSEDED BY 25331A2)
34	17-20503		1,1	PIN , REMOTE STEERING BRACKET

CONTINUED ON NEXT PAGE ➡

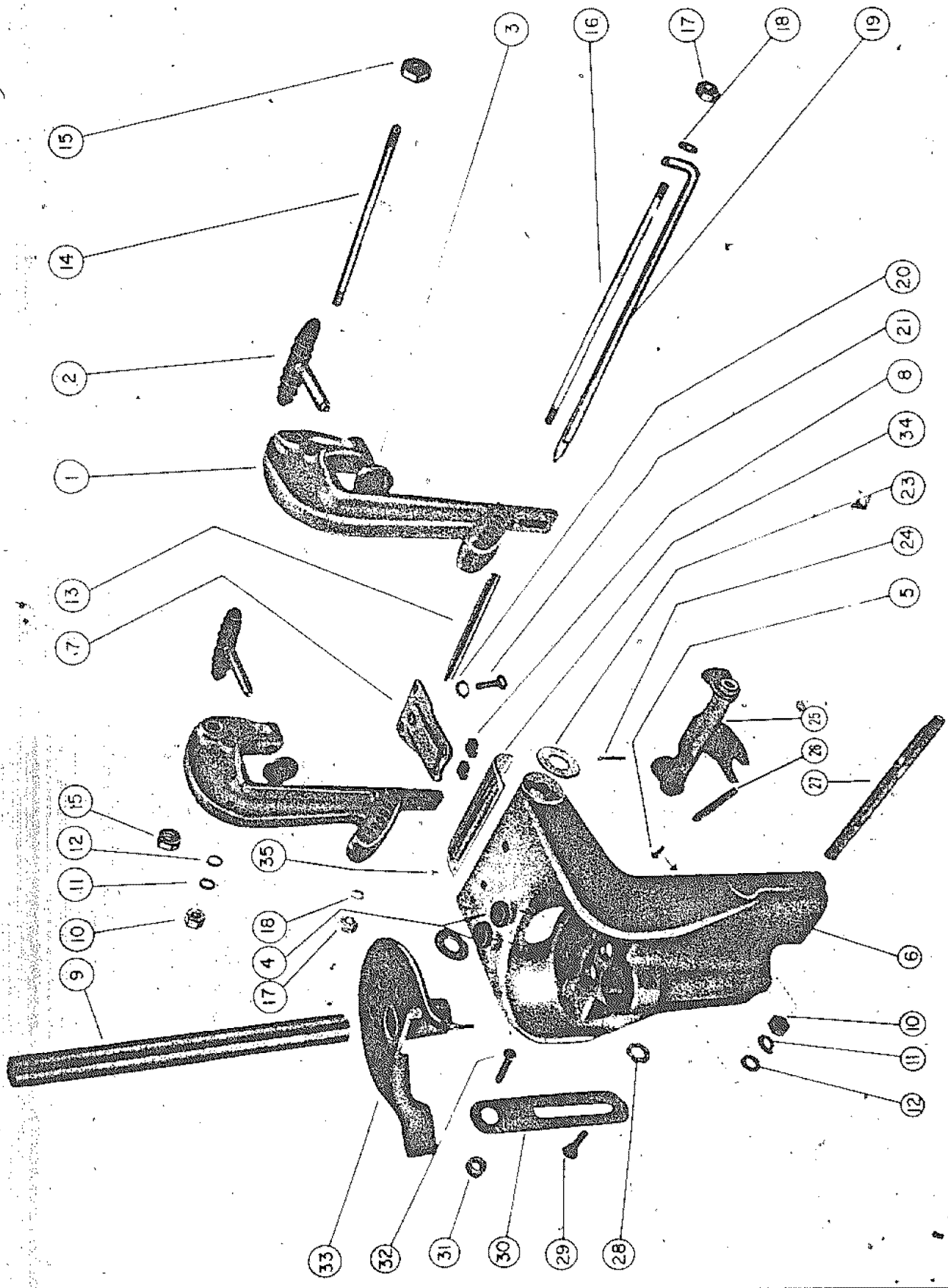
BOTTOM COWL ASSEMBLY



BOTTOM COWL ASSEMBLY

REF. NO.	PART NO.	SYM.	QTY.	DESCRIPTION
35	24-20510		1,1	SPRING , REMOTE BRACKET PIN
36	17-23928		1,1	ROLL PIN , REMOTE BRACKET PIN
37	10-20377		2,2	SCREW , RECEPTACLE RETAINER
38	13-20378		2,2	LOCKWASHER , RECEPTACLE RATAINER SCREW
3	13-20378		2,2	LOCKWASHER , RECEPTACLE RETAINER SCREW
39	20376		1,1	RETAINER , CONNECTOR
40	25-20679		2,2	"O" RING TWIST CONNECTOR (LARGE)
42	20675A2		1,1	RECEPTACLE ASSEMBLY , FUEL CONNECTOR
41	17-20375		1,1	PIN , GROOVE - CONNECTOR RETAINER
43	22-20380		2,	CONNECTOR , AIR AND FUEL LINE CONNECTION
-	22-20781		,2	ELBOW , AIR AND FUEL LINE CONNECTION
44	13-20147		2,2	LOCKWASHER , RECEPTACLE ASSEMBLY SCREW
-	11-21825		2,2	NUT , RECEPTACLE ASSEMBLY TO BOTTOM COWL SCREW
45	10-20784		2,2	SCREW , RECERTACLE ASSEMBLY TO BOTTOM COWL
46	21-20963		1,1	CHECK VALVUE , RECEPTACLE
47	25-20678		1,1	"O" RING , CHECK VALVE (SMALL)
48	12-20677		1,1	WASHER , CONNECTOR BASE PLUG
-	20483		1,1	PLUG RECEPTACLE
49	22-20676		1,1	PLUG VALVE RETAINING
50	32-20932		1,	FUEL LINE , RECEPTACLE ASSEMBLY TO FUEL FILTER
	32-22795		,1	FUEL LINE , RECEPTACLE ASSEMBLY TO FUEL FILTER
51	32-20934		2,2	AIR LINE , RECEPTACLE CONNECTOR TO VALVE COVER
52	22-20781		2,2	ELBOW , MAGNETO VENT TUBE
53	32-26338		1,1	VENT TUBE , MAGNETO OUTLET
54	32-26330		1,1	VENT TUBE , MAGNETO INLET
55	20390		1,1	GASKET , POWERHEAD TO BOTTOM COWL

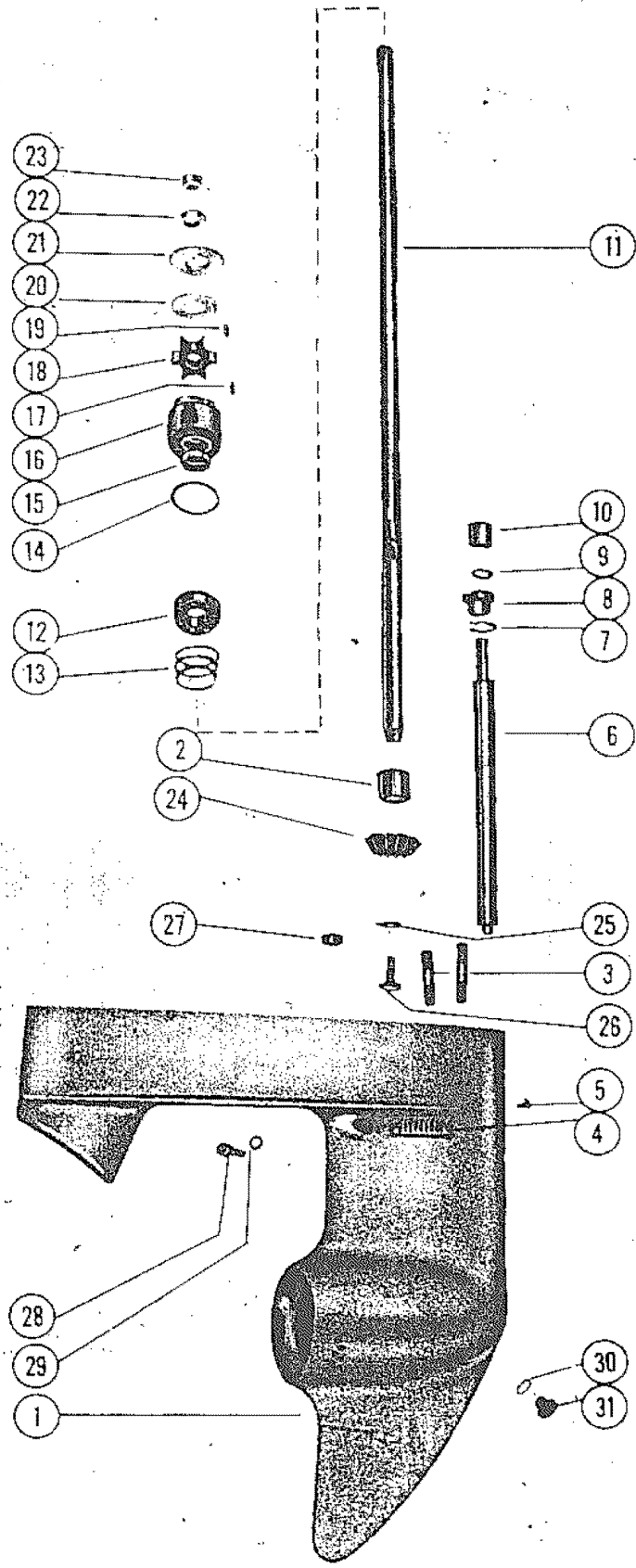
CLAMP AND SWIVEL BRACKET



CLAMP AND SWIVEL BRACKET

REF. NO.	PART NO.	SYM.	QTY.	DESCRIPTION
-	1400-150A1		2,2	CLAMP BRACKET ASSEMBLY
1	N.S.S.		2,2	CLAMP BRACKET
2	22477		2,2	THUMB SCREW ASSEMBLY
3	12-20214		2,2	WASHER, THUMB SCREW
4	23026		3,3	DISC, SWIVEL BRACKET FRICTION
5	17-20363		1,1	PIN, REVERSE LOCK SPRING ATTACHING
6	1401-33		1,1	BRACKET, SWIVEL
7	20342		1,1	CLAMP PLATE
8	23026		3,3	DISC, CLAMP PLATE FRICTION
9	17-20230		1,1	PIN, SWIVEL BRACKET TO DIVE SHAFT HOUSING
13	23-23037		1,1	SPACER, CLAMP BRACKETS STUD
14	16-20218		1,1	STUD, CLAMP BRACKET TO SWIVEL BRACKET
15	11-20220		2,2	NUT, CLAMP BRACKET TO SWIVEL BRACKET STUD
16	16-23028		1,1	STUD, CLAMP BRACKET
17	11-20083		2,2	NUT, CLAMP BRACKETS STUD
18	13-20223		2,2	LOCKWASHER, CLAMP BRACKETS STUD
-	17-23315		2,2	RIVET, CLAMP BRACKET STUD HOLE
19	17-20225		1,1	PIN, TILT LOCK
20	13-21804		1,1	LOCKWASHER, CLAMP PLATE MOUNTING SCREW
21	10-20844		1,1	SCREW, CLAMP PLATE MOUNTING
23	15-20219		2,2	SHIM, CLAMP BRACKET TO SWIVEL BRACKET
24	18-20209		1,1	COTTER PIN, REVERSE LOCK
25	22572		1,1	REVERSE LOCK ASSEMBLY
26	24-20210		1,1	SPRING, REVERSE LOCK
27	20208		1,1	SHAFT, REVERSE LOCK
28	13-20846		2,2	WASHER, WAVE-TILT STOP LEVER ANCHOR SCREW
29	10-20224		2,2	SCREW, TILT STOP LEVER RETAINING
10	11-20088		2,2	NUT, LEVER RETAINING SCREW
11	13-20924		2,2	LOCKWASHER, LEVER RETAINING SCREW
12	12-20028		2,2	WASHER, LEVER RETAINING SCREW
30	20215		2,2	LEVER, TILT STOP
31	23-20216		2,2	SPACER, TILT STOP LEVER
32	10-20217		2,2	SCREW, TILT STOP LEVER ANCHOR
10	11-20088		4,4	NUT, LEVER ANCHOR SCREW
11	13-20924		4,4	LOCKWASHER, LEVER ANCHOR SCREW
12	12-20028		4,4	WASHER, LEVER ANCHOR SCREW
33	20204		1,1	CO-PILOT DISC
34	38-21022		1,1	SERIAL PLATE
35	10-21111		4,4	DRIVE SCREW, SERIAL PLATE

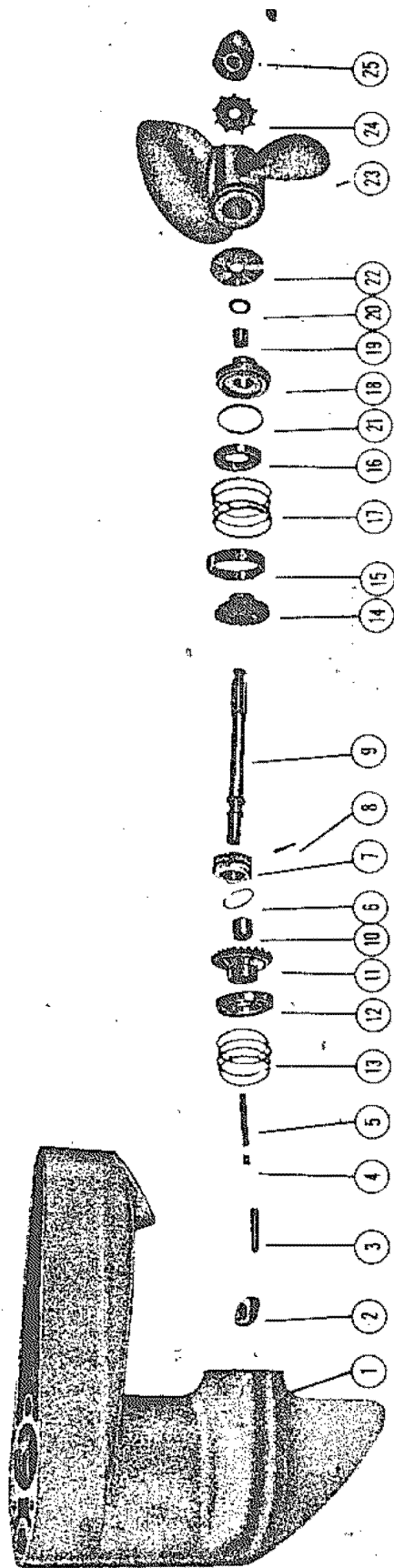
GEAR HOUSING AND DRIVE SHAFT



GEAR HOUSING AND DRIVE SHAFT

REF. NO.	PART NO.	SYM.	QTY.	DESCRIPTION
-	1603-93A2		1,1	GEAR HOUSING ASSEMBLY,COMPLETE
-	1603-93A3		1,1	GEAR HOUSING ASSEMBLY
1	N.S.S.		1,1	HOUSING,GEAR
2	31-20231		1,1	BEARING,ROLLER-DRIVE SHAFT
3	16-23571		2,2	STUD,GEAR HOUSING TO DRIVE SHAFT HOUSING
4	35-20337		2,2	SCREEN,WATER INTAKE
5	10-20314		4,4	DRIVE SCREW,WATER INTAKE SCREEN
6	20953		1,1	SHAFT,SHIFT-LOWER SECTION
7	18-20233		1,1	CLIP,RETAINING-SHIFT SHAFT
-	23-20859A1		1,1	BUSHING ASSEMBLY,SHIFT SHAFT
8	N.S.S.		1,1	BUSHING,SHIFT SHAFT
9	26-20236		1,1	OIL SEAL,SHIFT SHAFT BUSHING
10	20309		1,1	COUPLING,SHIFT SHAFT
11	45-20836		1,1	DRIVE SHAFT
12	30-20861		1,1	BEARING,BALL-DRIVE SHAFT
13	15-20929		0	SHIM,DRIVE SHAFT BEARING TO GEAR HOUSING (.002 .003 .005 .0
14	25-20266		1,1	"0" RING,WATER PUMP CARTRIDGE
-	46-20263A2		1,1	CARTRIDGE ASSEMBLY,WATER PUMP
15	26-23517		1,1	OIL SEAL,WATER PUMP CARTRIDGE
16	N.S.S.		1,1	CARTRIDGE,WATER PUMP
17	17-21620		1,1	PIN,WATER PUMP CARTRIDGE TO GEAR HOUSING
18	47-20268		1,1	IMPELLER,WATER PUMP
19	17-23733		1,1	PIN,IMPELLER DRIVE
20	20272		1,1	PLATE,OUTLET-WATER PUMP COVER
-	20270A2		1,1	COVER ASSEMBLY,WATER PUMP
21	N.S.S.		1,1	COVER,WATER PUMP
22	26-20250		1,1	OIL SEAL,WATER PUMP COVER
23	25-20273		1,1	RING,RUBBER-CENTRIFUGAL SLINGER
24	43-20834		1,1	GEAR,PINION
25	14-20871		1,1	TAB WASHER,PINION GEAR
26	10-20925		1,1	SCREW,PINION GEAR RETAINING
27	26-20232		1,1	SEAL,RUBBER-WATER TUBE
28	10-20261		1,1	SCREW,GEAR CASE VENT
29	12-20262		1,1	WASHER,GEAR CASE VENT SCREW
30	12-20260		2,2	WASHER,GREASE FILLER HOLE SCREW
31	10-20259		2,2	SCREW,GREASE FILLER HOLE

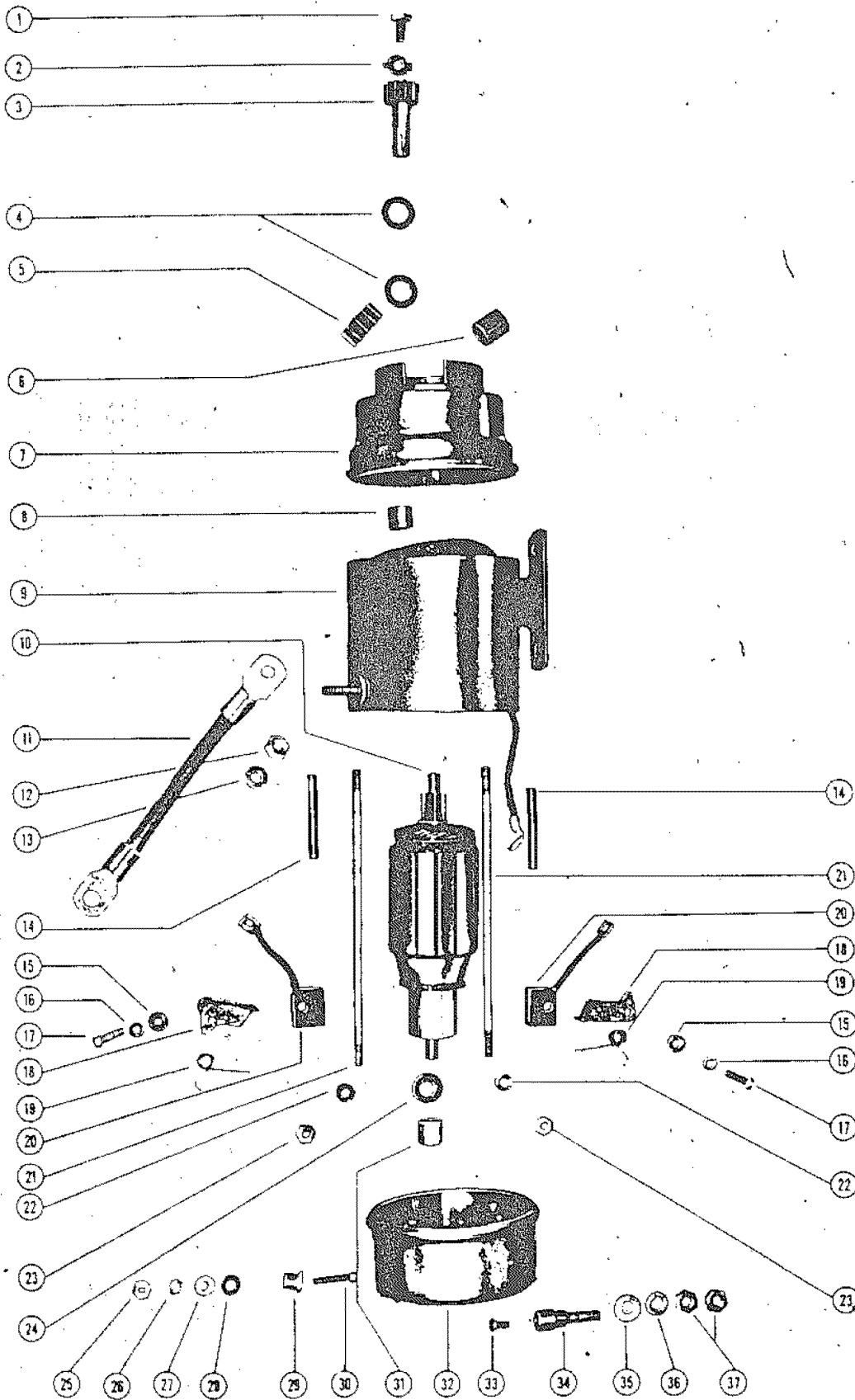
GEAR HOUSING AND PROPELLER



GEAR HOUSING AND PROPELLER

REF. NO.	PART NO.	SYM.	QTY.	DESCRIPTION
-	1603-93A2		1,1	GEAR HOUSING ASSEMBLY,COMPLETE
1	1603-93A3		1,1	GEAR HOUSING ASSEMBLY
-	31-20231		1,1	BEARING,ROLLER-DRIVE SHAFT
-	16-24802		2,2	STUD,GEAR HOUSING TO DRIVE SHAFT HOUSING
-	35-20337		2,2	SCREEN,WATER INTAKE
-	10-20314		4,4	DRIVE SCREW,WATER INTAKE SCREEN
2	20860		1,1	CAM,SHAFT
3	20930		1,1	FOLLOWER,CAM
4	20843		1,1	SLIDE,CROSS PIN
5	24-20254		1,1	SPRING,CAM FOLLOWER PIN
6	53-20842		1,1	RING,RETAINING-CROSS PIN
7	20835		1,1	RATCHET,SLIDING CLUTCH
8	17-20841		1,1	PIN,CROSS
9	44-20866		1,1	SHAFT,PROPELLER
-	43-20975A1		1,1	FORWARD GEAR ASSEMBLY,COMPLETE
10	31-20249		1,1	BEARING,ROLLER-FORWARD GEAR
11	43-20975		1,1	GEAR ASSEMBLY,FORWARD
12	30-20840		1,1	BEARING,BALL-FORWARD GEAR
13	15-20928		AR,AR	SHIM,BALL BEARING TO GEAR CASE (.002 .003 .005 .010) AR AR
-	43-20975A2		1,1	REVERSE GEAR ASSEMBLY,COMPLETE
14	43-20975		1,1	GEAR ASSEMBLY,REVERSE
15	20864		1,1	RING,ADAPTOR-BALL BEARING
16	30-20839		1,1	BEARING,BALL-REVERSE GEAR
17	15-20927		AR,AR	SHIM,ADAPTOR RING TO GEAR CASE (.002 .003 .005 .010) AR AR
18	20862A1		1,1	HOUSING ASSEMBLY,BEARING & OIL SEAL
19	31-20249		1,1	BEARING,ROLLER
20	26-23300		1,1	OIL SEAL
-	12-22970		1,1	WASHER,GEAR CASE COVER
21	25-20863		1,1	"O" RING,HOUSING ASSEMBLY
22	20865		1,1	COVER,GEAR CASE
23	48-22575A1		1,1	PROPELLER ASSEMBLY
-	12-20279		1,1	WASHER,BACKING (1/32" THICK)
24	14-20867		1,1	TAB WASHER
-	12-20281		1,1	WASHER,BACKING (1/8" THICK)
25	11-20837		1,1	NUT,PROPELLER

STARTER MOTOR

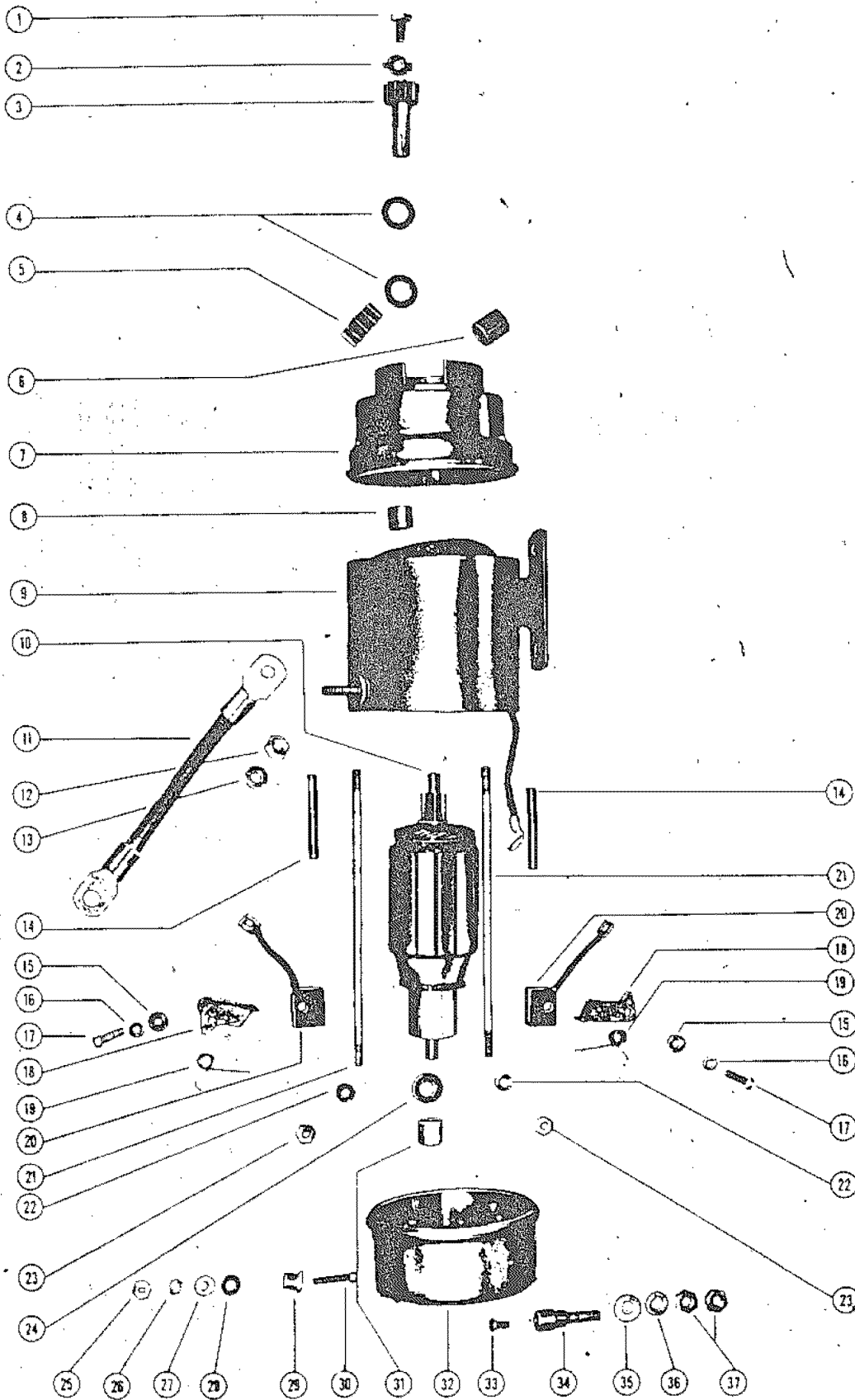


STARTER MOTOR

REF. NO.	PART NO.	SYM.	QTY.	DESCRIPTION
-	22623A1		1	STARTER MOTOR ASSEMBLY,COMPLETE
1	10-23070		1	SCREW,OUTPUT GEAR AND SHAFT
2	14-22527		1	TAB WASHER,OUTPUT GEAR SHAFT
3	43-22420		1	GEAR AND SHAFT,OUTPUT
4	12-23099		2	WASHER,OUTPUT GEAR AND SHAFT
5	43-22419		1	GEAR,REDUCTION
-	1117-346A1		1	UPPER END CAP ASSEMBLY
6	N.S.S.		1	BEARING,OILITE
7	N.S.S.		1	END CAP,UPPER
8	31-23101		1	BEARING,NEEDLE
9	22623		1	BODY AND FIELD
10	22622		1	ARMATURE
11	22613		1	JUMPER,STARTER TO STARTER SOLENOID
12	11-20890		1	NUT,JUMPER FASTENING
13	13-20924		1	LOCKWASHER,JUMPER FASTENING
14	22691		2	SLEEVE,STUD INSULATING
15	12-20192		2	WASHER,BRUSH FASTENING SCREW
16	13-20193		2	LOCKWASHER,BRUSH FASTENING SCREW
17	10-22625		2	SCREW,BRUSH TO HOLDER
18	22620		2	HOLDER,BRUSH
19	24-22598		2	SPRING,BRUSH HOLDER
20	22616		2	BRUSH,STARTER
21	16-22600		2	STUD,END CAP TO BODY AND FIELD
22	12-20054		2	WASHER,STARTER STUD
23	11-20645		2	,NUT,STARTER STUD
24	12-22618		1	WASHER,THRUST-ARMATURE
25	11-21923		1	NUT,STARTER TERMINAL (#8)
26	13-20193		1	LOCKWASHER,STARTER TERMINAL (#8)
27	12-20192		1	WASHER,STARTER TERMINAL (#8)
28	12-23749		1	WASHER,INSULATING-STARTER TERMINAL
29	23-22597		1	BUSHING,INSULATING
30	10-22649		1	SCREW,STARTER TERMINAL (#8)
-	1118-347A3		1	LOWER END CAP ASSEMBLY
31	N.S.S.		1	BUSHING,OILITE ARMATURE
32	N.S.S.		1	END CAP,LOWER
33	10-22648		1	SCREW,GROUND POST
34	22695		1	POST,GROUND
35	12-20028		1	WASHER,GROUND POST

CONTINUED ON NEXT PAGE ➡

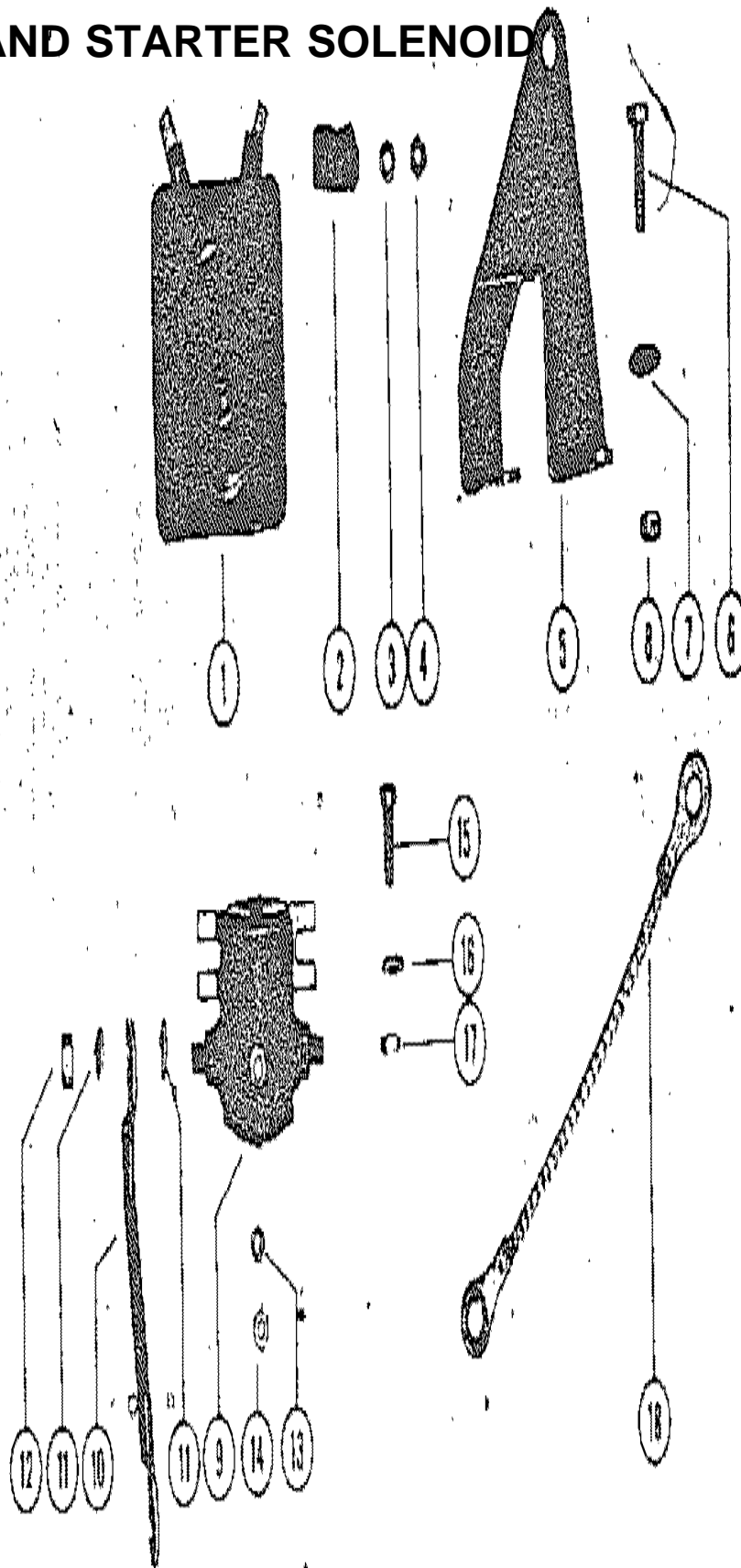
STARTER MOTOR



STARTER MOTOR

REF. NO.	PART NO.	SYM.	QTY.	DESCRIPTION
36	13-20924		1	LOCKWASHER,GROUND POST
37	11-20890		2	,NUT,GROUD POST
-	22632		2	POST,BRUSH HOLDER
-	22633		2	POST,SPRING HOLDER
-	23-22597		4	BUSHING,INSULATING

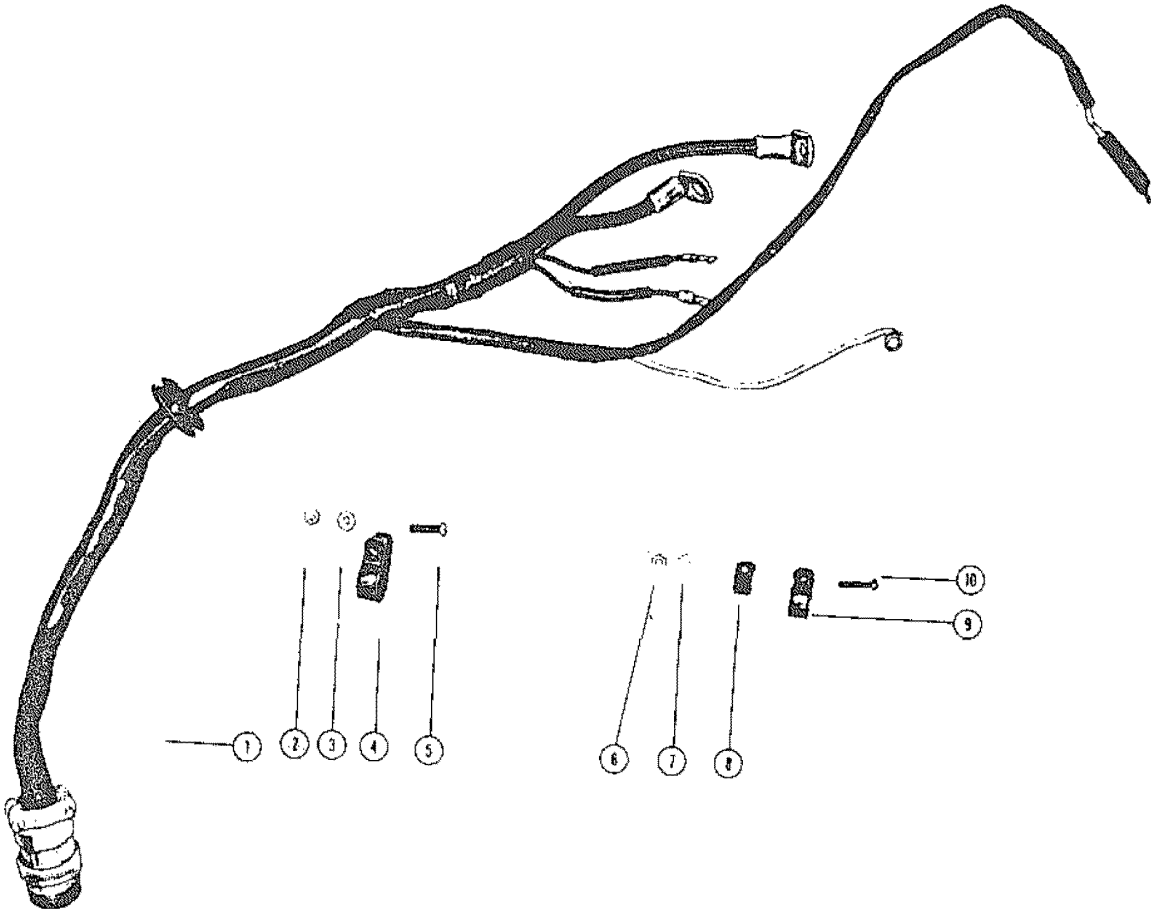
RECTIFIER AND STARTER SOLENOID



RECTIFIER AND STARTER SOLENOID

REF. NO.	PART NO.	SYM.	QTY.	DESCRIPTION
1	25571A1		1	RECTIFIER ASSEMBLY
-	25730		1	LEAD WIRE,RECTIFIER TO WIRING HARNESS
-	25731		2	LEAD WIRE,RECTIFIER TO STATOR
2	54-22973		1	CLAMP,WIRING HARNESS
3	13-20223		1	LOCKWASHER,RECTIFIER TO BRACKET STUD
4	11-21908		1	NUT,RECTIFIER TO BRACKET STUD
5	22679		1	BRACKET,RECTIFIER MOUNTING
6	10-21625		2	SCREW,BRACKET TO BOTTOM COWL
7	12-20533		2	WASHER,BRACKET SCREW
-	13-20147		2	LOCKWASHER,BRACKET SCREW
8	11-21825		2	NUT,BRACKET SCREW
9	22570		1	SOLENOID,STARTER
10	22613		1	JUMPER LEAD,STARTER MOTOR TO STARTER SOLENOID
11	13-20223		2	LOCKWASHER,SOLENOID TERMINAL
12	11-20083		2	NUT,SOLENOID TERMINAL
13	13-20040		1	LOCKWASHER,SOLENOID TERMINAL (#10)
14	11-20645		1	NUT,SOLENOID TERMINAL (#10)
15	10-21625		2	SCREW,STARTER SOLENOID TO BOTTOM COWL
16	12-20533		2	WASHER,STARTER SOLENOID SCREW
-	13-20147		2	LOCKWASHER,STARTER SOLENOID SCREW
17	11-21825		2	NUT,STARTER SOLENOID SCREW
18	397-421A1		1	GROUND STRAP ASSEMBLY,BLOCK TO BOTTOM COWL

WIRING HARNESS



WIRING HARNESS

REF. NO.	PART NO.	SYM.	QTY.	DESCRIPTION
1	22615		1	WIRING HARNESS (INTERNAL)
-	23-25490		1	BUSHING,WIRING HARNESS (NYLON)
-	25-25489		1	GROMMET,WIRING HARNESS (RUBBER)
2	11-20645		1	NUT,HARNESS CLIP FASTENING SCREW
3	12-20054		1	WASHER,HARNESS CLIP FASTENING SCREW
4	22690		1	CLIP,WIRING HARNESS TO BOTTOM COWL
5	10-20100		1	SCREW,CLIP FASTENING
6	11-21923		1	NUT,CLIP FASTENING SCREW
7	12-20192		1	WASHER,CLIP FASTENING SCREW
8	22740		1	CLIP,HARNESS LEADS TO BOTTOM COWL
9	22627		1	CLIP,FUEL LINE TO BOTTOM COWL
10	10-24609		1	SCREW,CLIP FASTENING
-	103-401A2		1	BOTTOM COWL ASSEMBLY
-	N.S.S.		1	COWL,BOTTOM
-	23-20315		1	BUSHING,UPPER SHIFT SHAFT
-	21041		1	INSERT,TAP LOCK

PARTS INDEX

Part Number	Description	Pg.	Ref. No.	Part Number	Description	Pg.	Ref. No.
20029	COVER , TRANSFR PORT ..	27	17	20497	BOWL, FUEL FILTER	15	7
20038	COVER , PRESSUE VALVE .	27	25	20498	BALE, BOWL TO FILTER TOP	15	8
20043	FELT OILER , DRIVE SHAFT SPLINE	33	2	20499	PLATE, BACKING - FILTER ELEMENT	15	11
20047	RACE , OUTER	33	6	20534	CLIP , HIGH TENSION LEADS TO CYLINDER BLOCK	21	21
20065	INSERT , HELI-COIL	27	-	20557	BRACKET , CABLE AND ANCHOR	35	7
20096	PLATE , EXHAUST MANIFOLD	31	--	20662	HANDLE, STARTER CABLE .	5	20
20114A2	HIGH TENSION LEAD ASSEMBLY (# CYL.)	21	22	20663	KNOB, CHOKE ROD	17	23
20119	PROTECTOR , SPARK PLUG (INCLUDES REF. #20) ...	21	19	20675A2	RECEPTACLE ASSEMBLY , FUEL CONNECTOR	37	42
20120	RUBBER CAP , HIGH TENSION LEAD	21	23	20721	BUMPER, RUBBER - COWL FRONT COVER	7	-
20121	TERMINAL , HIGH TENSION LEAD	21	--	20835	RATCHET,SLIDING CLUTCH	43	7
20121	TERMINAL , HIGH TENSION LEAD	21	--	20843	SLIDE,CROSS PIN	43	4
20122A2	HIGH TENSION LEAD ASSEMBLY (#2,3 &4 CYL.)	21	22	20860	CAM,SHAFT	43	2
20131A1	BRACKET , CARBURETOR ACTUATING	21	3	20862A1	HOUSING ASSEMBLY,BEARING & OIL SEAL	43	18
20135	PULLEY , DRIVEN	21	11	20864	RING,ADAPTOR-BALL BEARING	43	15
20136	FLANGE , DRIVEN PULLEY .	21	13	20865	COVER,GEAR CASE	43	22
20140	BELT , TIMING	21	12	20930	FOLLOWER,CAM	43	3
20144	AUXILIARY STARTER PLATE	9	5	20953	SHAFT,SHIFT-LOWER SECTION	41	6
20145	PLATE, FLYWHEEL NUT LOCKING	9	8	20954A1	SHIFT SHAFT ASSEMBLY (UPPER)	35	21
20155	RETAINER, SPRING	5	6	20996A1	MAGNETO ADAPTER ASSEMBLY	31	--
20157	SHAFT, SHEAVE	5	8	21006	ROD , LINK - SHIFT SHAFT .	35	22
20162	PAWL, STARTER	5	14	21009	CHOKE ROD	17	7
20164	RETAINER PLATE, STARTER PAWL	5	16	21014	BRACKET , MAGNETO ACTUATING (UPPER) ...	21	2
20172	END CAP, STARTER CABLE HANDLE	5	21	21017	BRACKET , MAGNETO CONTROL (LOWER)	35	8
20173	SHUTTER, CHOKE	17	2	21018	LEVER , SHIFT CONTROL ..	35	19
20185A1	BRACKET ASSEMBLY, THROTTLE PICK-UP	17	12	21041	INSERT , TAP - LOCK	35	2
20188	THROTTLE PICK-UP	17	13	21041	INSERT,TAP LOCK	51	--
20204	CO-PILOT DISC	39	33	21060	HANDLE, COWL LATCH ...	7	9
20208	SHAFT,REVERSE LOCK ...	39	27	21065	BRACKET , REMOTE STEERING (SUPERSEDED BY 25331A2)	35	33
20215	LEVER,TILT STOP	39	30	21078	CROWN, FRONT COVER ..	7	3
20270A2	COVER ASSEMBLY,WATER PUMP	41	--	21104A2	CONNECTING BASE ASSEMBLY	35	28
20272	PLATE,OUTLET-WATER PUMP COVER	41	20	21826	CLIP , NYLON CABLE TO MAGNETO	21	25
20300A1	REVERSE LOCK LEVER ASSEMBLY	3	6	21968	STOP BLOCK , TROTTLLE ADJUSTING	35	-
20303	ROD, PUSH - REVERSE LOCK LEVER	3	8	22462	"U" LINK, CHOKE KNOB TO CHOKE ROD	19	6
20309	COUPLING,SHIFT SHAFT ..	41	10	22463	KNOB, CHOKE	19	--
20342	CLAMP PLATE	39	7	22464	ADAPTOR, UPPER CHOKE LEVER	19	9
20376	RETAINER , CONNECTOR .	37	39	22466	LINK, CHOKE SOLENOID ..	19	3
20390	GASKET , POWERHEAD TO BOTTOM COWL	37	55	22467	CHOKE ROD	19	7
20483	PLUG RECEPTACLE	37	--	22477	THUMB SCREW ASSEMBLY	39	2
20485	COVER, TRIM - TOP COWL .	5	25				
20493	BRACKET, FUEL FILTER TO CRANKCASE	15	1				
20495	TOP, FUEL FILTER	15	4				

PARTS INDEX

Part Number	Description	Pg.	Ref. No.	Part Number	Description	Pg.	Ref. No.
22505A1	CHOKE LEVER ASSEMBLY, UPPER CARBURETOR ..	19	8	N.S.S.	BLOCK CYLINDER	27	-
22555	LOCKWIRE , COIL BRIDGE SET SCREW	23	-	N.S.S.	BUSHING,OILITE ARMATURE	45	31
22570	SOLENOID,STARTER	49	9	N.S.S.	BUSHING,SHIFT SHAFT ...	41	8
22572	REVERSE LOCK ASSEMBLY	39	25	N.S.S.	CABLE , HIGH TENSION LEAD	21	--
22609	CHOKE SOLENOID	19	1	N.S.S.	CABLE , HIGH TENSION LEAD	21	--
22613	JUMPER LEAD,STARTER MOTOR TO STARTER SOLENOID	49	10	N.S.S.	CARTRIDGE,WATER PUMP	41	16
22613	JUMPER,STARTER TO STARTER SOLENOID ...	45	11	N.S.S.	CLAMP BRACKET	39	1
22615	WIRING HARNESS (INTERNAL)	51	1	N.S.S.	CONNECTING ROD & CAP .	33	18
22616	BRUSH,STARTER	45	20	N.S.S.	COVER , CYLINDER BLOCK	31	-
22620	HOLDER,BRUSH	45	18	N.S.S.	COVER,WATER PUMP	41	21
22622	ARMATURE	45	10	N.S.S.	COWL,BOTTOM	51	--
22623	BODY AND FIELD	45	9	N.S.S.	CRANKCASE	27	1
22623A1	STARTER MOTOR ASSEMBLY,COMPLETE ..	45	-	N.S.S.	CYLINDER BLOCK	31	1
22627	CLIP,FUEL LINE TO BOTTOM COWL	51	9	N.S.S.	END CAP , UPPER	31	11
22632	POST,BRUSH HOLDER	47	--	N.S.S.	END CAP LOWER	27	31
22633	POST,SPRING HOLDER ...	47	--	N.S.S.	END CAP,LOWER	45	32
22647	DISCONNECT, KNIFE SPLICE	19	12	N.S.S.	END CAP,UPPER	45	7
22679	BRACKET,RECTIFIER MOUNTING	49	5	N.S.S.	FLYWHEEL	9	2
22690	CLIP,WIRING HARNESS TO BOTTOM COWL	51	4	N.S.S.	HINGE, COWL LATCH TO COWL ROD	7	8
22691	SLEEVE,STUD INSULATING	45	14	N.S.S.	HOUSING,GEAR	41	1
22695	POST,GROUND	45	34	N.S.S.	LINER , CYLINDER	27	-
22715	BRACKET, FUEL FILTER TO CRANKCASE	15	-	N.S.S.	PISTON	33	14
22740	CLIP,HARNESS LEADS TO BOTTOM COWL	51	8	N.S.S.	PISTON PIN	33	15
22782	PLUNGER, CHOKE SOLENOID TO LINK ROD	19	2	N.S.S.	SPRING , SPARK PLUG PROTECTOR	21	20
22823	PULLEY, FLYWHEEL	9	1	10-20027	SCREW , CYLINDER BLOCK COVER MOUNTING	31	6
22823	PULLEY, FLYWHEEL	11	4	10-20031	SCREW , CARBURETOR BRACKET TO MAGNETO .	21	5
23026	DISC,CLAMP PLATE FRICTION	39	8	10-20031	SCREW , MAG. ACTUATING BRACKET TO MAGNETO .	21	9
23026	DISC,SWIVEL BRACKET FRICTION	39	4	10-20031	SCREW, CROWN TO COWL FRONT COVER	7	5
24825	BLANKET, WRAP AROUND COWL	7	--	10-20037	SCREW , FUEL PRESSUE VALVE COVER	27	23
25233	BLANKET AND GLUE KIT ..	7	--	10-20041	SCREW , PRESSUE VALVUE COVER MOUNTING	27	27
25571A1	RECTIFIER ASSEMBLY	49	1	10-20049	SCREW , MAIN BEARING ..	33	9
25691	HOOK, COWL LATCH FASTENING	7	12	10-20055	SCREW , REED STOP MOUNTING	33	13
25730	LEAD WIRE,RECTIFIER TO WIRING HARNESS	49	-	10-20060	SCREW , CONNECTING ROD	33	19
25731	LEAD WIRE,RECTIFIER TO STATOR	49	-	10-20089	SCREW , MAIN BEARING LOCKING	29	37
26179	RETAINER, WAVE WASHER	5	12	10-20098	SCREW , MANIFOLD COVER MOUNTING	31	--
27942A1	CHOKE LEVER ASSEMBLY .	17	5	10-20100	SCREW , ANCHOR BRACKET TO COWL	35	5
27942A1	CHOKE LEVER ASSEMBLY .	17	5	10-20100	SCREW, "U" LINK TO CHOKE KNOB	19	-
N.S.S.	ADAPTER , MAGNETO	31	19	10-20100	SCREW,CLIP FASTENING ..	51	5
N.S.S.	BEARING CENTER MAIN ...	33	-	10-20139	SCREW , MAGNETO PULLEY CLAMPING	21	17
N.S.S.	BEARING,OILITE	45	6	10-20176	SCREW, CHOKE LEVER PIVOT PIN	17	4

PARTS INDEX

Part Number	Description	Pg.	Ref. No.	Part Number	Description	Pg.	Ref. No.
10-20191	SCREW, THROTTLE BRACKET MOUNTING . . .	17	16	10-21185	SCREW , TRANSFER PORT COVER MOUNTING	27	19
10-20217	SCREW,TILT STOP LEVER ANCHOR	39	32	10-21471	SCREW & LOCKWASHER, CTHROTTLE SHUTTER . .	13	24
10-20224	SCREW,TILT STOP LEVER RETAINING	39	29	10-21472	SCREW, SET - KNOB FASTENING	13	32
10-20259	SCREW , GREASE FILLER HOLE	31	22	10-21625	SCREW,BRACKET TO BOTTOM COWL	49	6
10-20259	SCREW,GREASE FILLER HOLE	41	31	10-21625	SCREW,STARTER SOLENOID TO BOTTOM COWL	49	15
10-20261	SCREW,GEAR CASE VENT .	41	28	10-21643	SCREW, TRIM COVER TO TOP COWL	5	27
10-20314	DRIVE SCREW,WATER INTAKE SCREEN	41	5	10-22310	SCREW, STATOR TO UPPER END CAP	11	5
10-20314	DRIVE SCREW,WATER INTAKE SCREEN	43	-	10-22537	SCREW & LOCKWASHER , END CAP COVER	25	38
10-20359	SCREW CENTER MAIN BEARING LOCKING	29	38	10-22539	SCREW & LOCKWASHER , END CAP	23	30
10-20364	SCREW , TROTTLE STOP ADJUSTING	35	3	10-22540	SCREW & LOCKWASHER , BEARING SUPPORT	23	7
10-20377	SCREW , RECEPTACLE RETAINER	37	37	10-22540	SCREW , CONDENSER MOUNTING	23	21
10-20474	SCREW , STOP BLOCK HOLDING	35	-	10-22546	SCREW , SET - COIL BRIDGE	23	8
10-20482	SCREW , CENTER MAIN BEARING ASSEMBLY . . .	33	4	10-22552	SCREW , PRIMARY GROUND	23	10
10-20540	SCREW , HIGH TENSION LEAD CLIP FASTENING . .	21	--	10-22625	SCREW,BRUSH TO HOLDER	45	17
10-20540	SCREW , TRANSFER PORT COVER MOUNTING	27	--	10-22648	SCREW,GROUND POST . . .	45	33
10-20584	SCREW , CLEVIS PIN FASTENING	35	11	10-22649	SCREW,STARTER TERMINAL (#8)	45	30
10-20650	SCREW, CHOKE ROD SPRING MOUNTING	17	10	10-22815	SCREW , NYLON CABLE CLIP TO MAGNETO	21	26
10-20776	SCREW , DETENT SPRING TO COWL	35	27	10-22815	SCREW, INTERNAL WIRING HARNESS CLIP	11	8
10-20776	SCREW, CHOKE SOLENOID TO STARTER MOTOR . . .	19	--	10-22815	SCREW, STATOR LEAD WIRE CLIP	11	8
10-20784	SCREW , RECERTACLE ASSEMBLY TO BOTTOM COWL	37	45	10-22864	SCREW , MAGNETO BRACKET FASTENING . .	35	16
10-20844	SCREW,CLAMP PLATE MOUNTING	39	21	10-23070	SCREW,OUTPUT GEAR AND SHAFT	45	1
10-20847	SCREW, THROTTLE STOP LEVER	13	8	10-24609	SCREW,CLIP FASTENING . .	51	10
10-20854	SCREW & LOCKWASHER, COVER MOUNTING (SHORT)	13	22	10-24977	SCREW , BREAKER TERMINAL	23	26
10-20857	SCREW & LOCKWASHER, COVER MOUNTING (LONG)	13	23	10-24978	SCREW , CONTACT SUPPORT	23	25
10-20870	PLUG, BODY CHANNEL . . .	13	--	10-24980	SCREW , CONTACT SUPPORT LOCKING	23	24
10-20925	SCREW,PINION GEAR RETAINING	41	26	11-20013	JAM NUT , TROTTLE STOP ADJUSTING SCREW	35	4
10-21046	SCREW , MAGNETO ADAPTER TO CRANKCASE	31	24	11-20013	NUT , DETENT SPRING SCREW	35	4
10-21062	SCREW, COWL FASTENING	7	2	11-20028	WASHER , CRANKCASE STUD	29	35
10-21091	SCREW, LOCKING PLATE . .	9	10	11-20061	NUT , CONNECTING ROD . .	33	20
10-21106	SCREW , CABLE TO COWL .	35	32	11-20083	NUT , CRANKCASE STUD . .	29	--
				11-20083	NUT , END CAP MOUNTING STUD	29	34
				11-20083	NUT , MAGNETO ADAPTER SCREW	31	27

PARTS INDEX

Part Number	Description	Pg.	Ref. No.	Part Number	Description	Pg.	Ref. No.
11-20083	NUT, DRIVE SHAFT HOUSING TO POWERHEAD	3	14	11-24994	NUT , COIL CLIP	23	19
11-20083	NUT, END CAP COVER MOUNTING STUD	31	13	12-20028	WASHER , CYL BLOCK COVER MTG SCREW . . .	31	7
11-20083	NUT,CLAMP BRACKETS STUD	39	17	12-20028	WASHER, TRANSFER PORT COVER SCREW	27	20
11-20083	NUT,SOLENOID TERMINAL .	49	12	12-20028	WASHER, TOP COWL STUD	5	23
11-20087	NUT (16-203254 STUD)	27	14	12-20028	WASHER,GROUND POST . .	45	35
11-20088	NUT , CRANKCASE STUD . .	29	36	12-20028	WASHER,LEVER ANCHOR SCREW	39	12
11-20088	NUT,LEVER ANCHOR SCREW	39	10	12-20054	WASHER,LEVER RETAINING SCREW	39	12
11-20088	NUT,LEVER RETAINING SCREW	39	10	12-20054	WASHER , REED STOP MOUNTING SCREW	33	12
11-20110	NUT , PIN FASTENING SCREW	35	13	12-20054	WASHER,HARNESS CLIP FASTENING SCREW	51	3
11-20142	NUT, FILTER TOP TO BRACKET	15	2	12-20054	WASHER,STARTER STUD .	45	22
11-20166	NUT, SHEAVE SHAFT (L. H. THREAD)	5	18	12-20064	WASHER , NEEDLE LOCATING	33	23
11-20184	NUT, CARBURETOR MOUNTING STUD	13	30	12-20084	WASHER, DRIVE SHAFT HOUSING TO POWERHEAD	3	15
11-20190	NUT, THROTTLE PICK-UP LOCKING SCREW	17	15	12-20086	WASHER , (16-20354)	27	13
11-20220	NUT,CLAMP BRACKET TO SWIVEL BRACKET STUD	39	15	12-20138	WASHER , MAGNETO PULLEY CLAMPING SCREW	21	15
11-20361	NUT, TOP COWL FASTENING	5	24	12-20143	WASHER, FLYWHEEL NUT .	9	6
11-20645	,NUT,STARTER STUD	45	23	12-20143	WASHER, FLYWHEEL NUT .	11	2
11-20645	NUT,HARNESS CLIP FASTENING SCREW	51	2	12-20192	WASHER, CHOKE ROD SPRING	17	11
11-20645	NUT,SOLENOID TERMINAL (#10)	49	14	12-20192	WASHER, CHOKE SOLENOID LINK	19	-
11-20837	NUT,PROPELLER	43	25	12-20192	WASHER, THROTTLE BRACKET MOUNTING SCREW	17	17
11-20849	NUT, MAIN ADJUSTMENT SCREW	13	15	12-20192	WASHER,BRUSH FASTENING SCREW	45	15
11-20890	,NUT,GROUD POST	47	37	12-20192	WASHER,CLIP FASTENING SCREW	51	7
11-20890	NUT,JUMPER FASTENING .	45	12	12-20192	WASHER,STARTER TERMINAL (#8)	45	27
11-21825	NUT , RECEPTACLE ASSEMBLY TO BOTTOM COWL SCREW	37	--	12-20214	WASHER,THUMB SCREW . .	39	3
11-21825	NUT, CHOKE SOLENOID SCREW	19	15	12-20260	WASHER , GREASE FILLER SCREW	31	23
11-21825	NUT,BRACKET SCREW	49	8	12-20260	WASHER,GREASE FILLER HOLE SCREW	41	30
11-21825	NUT,STARTER SOLENOID SCREW	49	17	12-20262	WASHER,GEAR CASE VENT SCREW	41	29
11-21908	NUT,RECTIFIER TO BRACKET STUD	49	4	12-20279	WASHER,BACKING (1/32" THICK)	43	--
11-21923	NUT,CLIP FASTENING SCREW	51	6	12-20281	WASHER,BACKING (1/8" THICK)	43	--
11-21923	NUT,STARTER TERMINAL (#8)	45	25	12-20346	WASHER , DETENT SPRING SCREW	35	26
11-21971	NUT , CONNECTOR BASE .	35	29	12-20346	WASHER, FRONT COVER CROWN SCREW	7	6
11-22339	NUT, FLYWHEEL	9	7	12-20346	WASHER, TOP COWL STUD	5	22
11-22339	NUT, FLYWHEEL	11	1	12-20533	WASHER , CARBURETOR BRACKET SCREW	21	4
11-22553	NUT , PRIMARY GROUND SCREW	23	16				
11-23161	NUT, GEAR HOUSING TO DRIVE SHAFT HOUSING STUD	3	11				

PARTS INDEX

Part Number	Description	Pg.	Ref. No.	Part Number	Description	Pg.	Ref. No.
12-20533	WASHER, CHOKE SOLENOID SCREW	19	13	13-20193	LOCKWASHER, THROTTLE BRACKET MOUNTING SCREW	17	18
12-20533	WASHER,BRACKET SCREW	49	7	13-20193	LOCKWASHER,BRUSH FASTENING SCREW	45	16
12-20533	WASHER,STARTER SOLENOID SCREW	49	16	13-20193	LOCKWASHER,STARTER TERMINAL (#8)	45	26
12-20546	WASHER , CRANKCASE STUD	29	--	13-20223	LOCKWASHER , MAG. ADAPTER TO CRANKCASE	31	25
12-20546	WASHER , MAGNETO ADAPTER SCREW	31	26	13-20223	LOCKWASHER,CLAMP BRACKETS STUD	39	18
12-20677	WASHER , CONNECTOR BASE PLUG	37	48	13-20223	LOCKWASHER,RECTIFIER TO BRACKET STUD	49	3
12-21040	WASHER , FASTENING SCREW	35	17	13-20223	LOCKWASHER,SOLENOID TERMINAL	49	11
12-21967	WASHER , STOP BLOCK SCREW	35	-	13-20223	WASHER , END CAP COVER MTG. STUD NUT	31	14
12-22545	WASHER , CONTACT SUPPORT LOCKING SCREW	23	--	13-20223	WASHER , END CAP MOUNTING STUD	29	33
12-22545	WASHER , PRIMARY GROUND SCREW	23	14	13-20378	LOCKWASHER , RECEPTACLE RATAINER SCREW	37	38
12-22558	WASHER , CONTACT SUPPORT LOCKING SCREW	23	--	13-20378	LOCKWASHER , RECEPTACLE RETAINER SCREW	37	3
12-22559	WASHER , INSULATING - GROUND TERMINAL	23	13	13-20494	LOCKWASHER, FILTER TOP TO BRACKET	15	3
12-22618	WASHER,THRUST- ARMATURE	45	24	13-20511	WASHER , WAVE -PIN FASTENING SCREW	35	12
12-22970	WASHER,GEAR CASE COVER	43	--	13-20554	LOCKWASHER , ANCHOR BRACKET SCREW	35	6
12-23099	WASHER,OUTPUT GEAR AND SHAFT	45	4	13-20846	WASHER,WAVE-TILT STOP LEVER ANCHOR SCREW	39	28
12-23749	WASHER,INSULATING- STARTER TERMINAL	45	28	13-20924	LOCKWASHER , HIGH TENSION LEAD CLIP SCREW	21	--
12-26014	WASHER, CHOKE SPRING	19	--	13-20924	LOCKWASHER , MANIFOLD COVER SCREW	31	--
12-26180	WASHER, WAVE WASHER RETAINER	5	13	13-20924	LOCKWASHER , TRANSFER PORT COVER SCREW	27	--
13-20040	LOCKWASHER , PRESSUE VALVE COVER SCREW	27	26	13-20924	LOCKWASHER,GROUND POST	47	36
13-20040	LOCKWASHER , PULLEY CLAMPING SCREW	21	16	13-20924	LOCKWASHER,JUMPER FASTENING	45	13
13-20040	LOCKWASHER, "U" LINK TO CHOKE KNOB	19	-	13-20924	LOCKWASHER,LEVER ANCHOR SCREW	39	11
13-20040	LOCKWASHER, STATOR SCREW	11	6	13-20924	LOCKWASHER,LEVER RETAINING SCREW	39	11
13-20040	LOCKWASHER,SOLENOID TERMINAL (#10)	49	13	13-21804	LOCKWASHER,CLAMP PLATE MOUNTING SCREW	39	20
13-20147	LOCKWASHER , RECEPTACLE ASSEMBLY SCREW	37	44	13-21972	LOCKWASHER , CONNECTOR BASE	35	30
13-20147	LOCKWASHER, CHOKE SOLENOID SCREW	19	14	13-22542	LOCKWASHER , CONTACT SUPPORT LOCKING SCREW	23	--
13-20147	LOCKWASHER, LOCKING PLATE SCREW	9	9	13-22543	LOCKWASHER , CONTACT SUPPORT SCREW	23	--
13-20147	LOCKWASHER,BRACKET SCREW	49	-				
13-20147	LOCKWASHER,STARTER SOLENOID SCREW	49	--				
13-20160	WASHER, WAVE	5	11				
13-20163	WASHER, WAVE - STARTER PAWL	5	15				

PARTS INDEX

Part Number	Description	Pg.	Ref. No.	Part Number	Description	Pg.	Ref. No.
14-20091	TAB WASHER , BEARING LOCKING SCREW	29	39	16-20983	STUD , CYLINDER BLOCK CRANKSHAFT	27	9
14-20165	TAB WASHER, SHEAVER SHAFT NUT	5	17	16-20984	STUD ,CYLINDER BLOCK TO CRANKSHAFT	27	2
14-20867	TAB WASHER	43	24	16-20985	STUD , CYLINDER BLOCK TO CRANKSHAFT	27	3
14-20871	TAB WASHER,PINION GEAR	41	25	16-22600	STUD,END CAP TO BODY AND FIELD	45	21
14-22527	TAB WASHER,OUTPUT GEAR SHAFT	45	2	16-23028	STUD,CLAMP BRACKET	39	16
15-20082	SHIM , END CAP COVER TO CRANKCASE	31	12	16-23071	STUD, DRIVE SHAFT HOUSING TO GEAR HOUSING	3	10
15-20085	SHIM END CAP TO CRANKCASE	29	32	16-23571	STUD,GEAR HOUSING TO DRIVE SHAFT HOUSING	41	3
15-20219	SHIM,CLAMP BRACKET TO SWIVEL BRACKET	39	23	16-24802	STUD,GEAR HOUSING TO DRIVE SHAFT HOUSING	43	-
15-20927	SHIM,ADAPTOR RING TO GEAR CASE (.002 .003 .005 .010) AR AR	43	17	17-20032	DOWEL PIN , CYLINDER BLOCK TO MAIN BEARING	29	40
15-20928	SHIM,BALL BEARING TO GEAR CASE (.002 .003 .005 .010) AR AR	43	13	17-20032	DOWEL PIN . CENTER MAIN BRG . ASSEMBLY	33	-
15-20929	SHIM,DRIVE SHAFT BEARING TO GEAR HOUSING (.002 .003 .005 .0	41	13	17-20033	DOWEL PIN , CYLINDER BLOCK TO CRANKCASE	27	15
15-23708	SHIM, DRIVE SHAFT HOUSING TO GEAR HOUSING	3	--	17-20055	DOWEL PIN , MAIN BEARING	33	-
16-20074	STUD , CYLINDER BLOCK CRANKSHAFT	27	6	17-20225	PIN,TILT LOCK	39	19
16-20074	STUD CARBURETOR MOUNTING	27	12	17-20230	PIN,SWIVEL BRACKET TO DIVE SHAFT HOUSING	39	9
16-20078	STUD , CRANKCASE TO LOWER END CAP	27	11	17-20271	ROLL PIN , CLEVIS YOKE PIN	35	10
16-20078	STUD , CYLINDER BLOCK TO LOWER END CAP	27	11	17-20271	ROLL PIN , CLEVIS YOKE PIN	35	10
16-20218	STUD,CLAMP BRACKET TO SWIVEL BRACKET	39	14	17-20302	PIN, REVERSE LOCK LEVER TO DRIVE SHAFT HOUSING	3	7
16-20351	STUD , CRANKCASE TO UPPER END CAP	27	--	17-20323	DOWEL PIN , CYLINDER BLOCK TO CENTER MAIN BRG.	27	16
16-20351	STUD , CRANKCASE TO UPPER END CAP	31	15	17-20363	PIN,REVERSE LOCK SPRING ATTACHING	39	5
16-20351	STUD , CYLINDER BLOCK TO UPPER END CAP	27	--	17-20375	PIN , GROOVE - CONNECTOR RETAINER	37	41
16-20352	STUD , CYLINDER BLOCK CRANKSHAFT	27	4	17-20379	,DOWEL PIN (STEPPED)	33	-
16-20353	STUD, TOP COWL TO BRACKET	5	3	17-20392	,DOWEL PIN , MAIN BEARING	33	-
16-20354	STUD , CYLINDER BLOCK CRANKSHAFT	27	8	17-20392	DOWEL PIN, PULLEY TO FLYWHEEL	9	-
16-20355	STUD , CYLINDER BLOCK CRANKSHAFT	27	7	17-20392	DOWEL PIN, PULLEY TO FLYWHEEL	11	-
16-20357	STUD , CARNKCASE TO DRIVE SHAFT HOUSING	27	10	17-20503	PIN , REMOTE STEERING BRACKET	35	34
16-20357	STUD , CYLINDER BLOCK TO DRIVE SHAFT HOUSING	27	10	17-20592A1	PIN ASSEMBLY , CLEVIS YOKE - SHIFT	35	20
16-20484	STUD , CYLINDER BLOCK CRANKSHAFT	27	5	17-20648	PIN, CHOKE ROD	17	8
16-20500	STUD, TOP COWL TO CYLINDER BLOCK COVER	5	2	17-20648	PIN, CHOKE ROD AND LEVER ASSEMBLY	19	11
				17-20841	PIN,CROSS	43	8
				17-20853	PIN, FLOAT LEVER PINION	13	3
				17-20989A1	PIN ASSEMBLY , CLEVIS YOKE - TROTTL	35	9

PARTS INDEX

Part Number	Description	Pg.	Ref. No.	Part Number	Description	Pg.	Ref. No.
17-21620	PIN,WATER PUMP CARTRIDGE TO GEAR HOUSING	41	17	23-20315	BUSHING , NYLON - UPPER SHIFT SHAFT	35	-
17-23315	RIVET,CLAMP BRACKET STUD HOLE	39	--	23-20315	BUSHING,UPPER SHIFT SHAFT	51	--
17-23733	PIN,IMPELLER DRIVE	41	19	23-20326	SPACER , CYL. BLOCK COVER TO TOP COWL ..	31	4
17-23928	ROLL PIN , REMOTE BRACKET PIN	37	36	23-20326	SPACER, FLYWHEEL TO AUXILIARY PLATE	9	4
18-20180	COTTER PIN , LINK ROD TO SHIFT SHAFT	35	23	23-20326	SPACER, TOP COWL STUD	5	4
18-20180	COTTER PIN, CHOKE LEVER AND "U" LINK RETAINING	19	5	23-20528	BUSHING ASSEM,BLY , CRANKCASE	27	--
18-20180	COTTER PIN, CHOKE LEVER RETAINING	17	6	23-20582	BUSHING ASSY., CYLINDER BLOCK COVER	31	-
18-20209	COTTER PIN,REVERSE LOCK	39	24	23-20859A1	BUSHING ASSEMBLY,SHIFT SHAFT	41	-
18-20233	CLIP,RETAINING-SHIFT SHAFT	41	7	23-21008	BUSHING , MAGNETO BRACKET AND SHIFT LEVER	35	14
18-21069	COTTER PIN, COWL FASTENING SCREW	7	4	23-22544	BUSHING , PRIMARY GROUND SCREW INSULATING	23	--
18-22534	PIN , FULCRUM (SNAP RING)	23	27	23-22597	BUSHING,INSULATING	45	29
19-20011	WELCH PLUG, BODY CHANNEL	13	28	23-22597	BUSHING,INSULATING	47	--
21-20963	CHECK VALVUE , RECEPTACLE	37	46	23-23037	SPACER,CLAMP BRACKETS STUD	39	13
22-20025	PIPE PLUG , CYLINDER BLOCK COVER	31	3	23-23072	SPACER, TRIM COVER	5	26
22-20380	CONNECTOR , AIR AND FUEL LINE CONNECTION	37	43	23-23323	BUSHING , MAGNETO CONTROL BRACKET	35	18
22-20676	PLUG VALVE RETAINING ..	37	49	23-23649	BUSHING, PUSH ROD	3	9
22-20781	ELBOW , AIR AND FUEL LINE CONNECTION	37	--	23-25490	BUSHING,WIRING HARNESS (NYLON)	51	-
22-20781	ELBOW , MAGNETO END CAP & FRAME	21	--	24-20210	SPRING,REVERSE LOCK ..	39	26
22-20781	ELBOW , MAGNETO VENT LINE	23	31	24-20229	SPRING, CO-PILOT	3	13
22-20781	ELBOW , MAGNETO VENT LINE	23	9	24-20254	SPRING,CAM FOLLOWER PIN	43	5
22-20781	ELBOW , MAGNETO VENT TUBE	37	52	24-20341	SPRING	15	9
22-20781	ELBOW, CARBURETOR ...	17	19	24-20510	SPRING , REMOTE BRACKET PIN	37	35
22-20781	ELBOW, CARBURETOR ...	17	19	24-20649	SPRING, CHOKE ROD POSITIONING	17	9
22-20781	ELBOW, FUEL FILTER	15	12	24-20856	SPRING, IDLE ADJUSTMENT	13	17
22-20781	ELBOW, FUEL FILTER	15	12	24-20869	SPRING, THROTTLE SHAFT RETURN	13	11
22-20931	TEE, FUEL FILTER	15	--	24-21007	SPRING , DETENT	35	25
22-20931	TEE, FUEL FILTER	17	21	24-21054	SPRING , CLIP-LINK ROD RETAINING	35	24
22-20931	TEE, UPPER CARBURETOR	17	--	24-22565	SPRING , DISTRIBUTOR ROTOR	23	33
23-20008	BUSHING , MAGNETO BRACKET AND SHIFT LEVER	35	15	24-22598	SPRING,BRUSH HOLDER ..	45	19
23-20134	SPACER , MAGNETO TIMING PULLEY	21	10	24-23714	SPRING, REWIND	5	7
23-20158	SPACER, SHEAVE SHAFT .	5	9	24-26067	SPRING, CHOKE SHUUTER	17	3
23-20159	BUSHING, SPRING GUIDE .	5	10	24-26068	SPRING, ROD POSITIONING	19	10
23-20196	BUSHING, SWIVEL PIN- UPPER	3	2	24-F2097	SPRING , MAGNETO ASSEMBLY TORSION ...	21	6
23-20199	BUSHING, SWIVEL PIN- LOWER	3	3	25-20081	"O" RING LOWER END CAP	27	30
23-20216	SPACER,TILT STOP LEVER	39	31	25-20081	"O" RING UPPER END CAP .	31	10
				25-20116	GROMMET, CHOKE KNOB .	5	-
				25-20116	GROMMET, CHOKE ROD ..	17	22
				25-20195	"O" RING, WATER INLET TUBE SEAL	3	5

PARTS INDEX

Part Number	Description	Pg.	Ref. No.	Part Number	Description	Pg.	Ref. No.
25-20266	"O" RING,WATER PUMP CARTRIDGE	41	14	28-20661	KEY, FLYWHEEL DRIVE ...	9	3
25-20273	RING,RUBBER- CENTRIFUGAL SLINGER .	41	23	28-20661	KEY, FLYWHEEL DRIVE ...	11	-
25-20273	RUBBER RING , HIGH TENSION LEAD CABLE ..	21	24	29-20046	NEEDLE ROLLER , CENTER MAIN BEARING	33	5
25-20678	"O" RING , CHECK VALVE (SMALL)	37	47	29-20046	NEEDLE ROLLER , CRANKPIN	33	21
25-20679	"O" RING TWIST CONNECTOR (LARGE) ..	37	40	29-20046	NEEDLE ROLLER, CENTER MAIN BEARING	33	5
25-20863	"O" RING,HOUSING ASSEMBLY	43	21	29-20063	NEEDLE ROLLER , PISTON PIN	33	22
25-25489	GROMMET,WIRING HARNESS (RUBBER)	51	-	30-20066	BALL BEARING , MAGNETO SHAFT	31	18
26-20079	OIL SEAL , UPPER END CAP BEARING	31	9	30-20080	BALL BEARING , LOWER END CAP	27	28
26-20232	SEAL,RUBBER-WATER TUBE	41	27	30-20080	BALL BEARING UPPER END CAP	31	8
26-20236	OIL SEAL,SHIFT SHAFT BUSHING	41	9	30-20839	BEARING,BALL-REVERSE GEAR	43	16
26-20250	OIL SEAL,WATER PUMP COVER	41	22	30-20840	BEARING,BALL-FORWARD GEAR	43	12
26-21969	OIL SEAL , MAGNETO SHAFT BEARING	31	16	30-20861	BEARING,BALL-DRIVE SHAFT	41	12
26-21970	OIL SEAL , MAGNETO SHAFT NEEDLE BRG. ...	31	21	30-24997	BEARING , BALL - ROTOR (OPP. DRIVE END)	23	5
26-23300	OIL SEAL	43	20	30-24998	BEARING , BALL -ROTOR (DRIVE END)	23	3
26-23517	OIL SEAL,WATER PUMP CARTRIDGE	41	15	31-20069	NEEDLE BEARING , MAGNETO SHAFT LOWER	31	20
26-25840	OIL SEAL , LOWER END CAP BALL BEARING	27	29	31-20231	BEARING,ROLLER-DRIVE SHAFT	41	2
27-20026	GASKET , CYLINDER BLOCK COVER	31	5	31-20231	BEARING,ROLLER-DRIVE SHAFT	43	-
27-20030	GASKET , TRANSFER PORT COVER	27	18	31-20249	BEARING,ROLLER	43	19
27-20039	GASKET , PRESSUE VALVE	27	24	31-20249	BEARING,ROLLER- FORWARD GEAR	43	10
27-20095	GASKET , CYL. BLOCK TO MANIFOLD PLATE	31	--	31-23101	BEARING,NEEDLE	45	8
27-20097	,GASKET , MANIFOLD PLATE COVER	31	--	32-20369	WATER INLET TUBE	3	4
27-20183	GASKET, CARBURETOR FLANGE	13	29	32-20932	FUEL LINE , RECEPTACLE ASSEMBLY TO FUEL FILTER	37	50
27-20338	GASKET, FILTER ELEMENT	15	10	32-20932	FUEL LINE, FILTER TO RECEPTACLE	15	13
27-20389	GASKET, DRIVE SHAFT HOUSING TO BOTTOM COWL	3	12	32-20932	FUEL LINE, UPPER CARBURETOR TO FUEL FILTER	17	20
27-20390	GASKET , POWERHEAD TO BOTTOM COWL	31	--	32-20933	FUEL LINE, LOWER CARBURETOR TO FUEL FILTER	17	24
27-20496	GASKET, FILTER TOP	15	5	32-20934	,AIR LINE	31	--
27-20848	GASKET, MAIN ADJUSTMENT SCREW GLAND	13	12	32-20934	AIR LINE , RECEPTACLE CONNECTOR TO VALVE COVER	37	51
27-20851	GASKET, INLET SEAT (USE WITH OLD STYLE NEEDLE & SEAT)	13	27	32-22795	FUEL LINE , RECEPTACLE ASSEMBLY TO FUEL FILTER	37	50
27-21919	GASKET SET	31	--	32-22795	FUEL LINE, FILTER TO RECEPTACLE	15	13
27-22536	GASKET , END CAP COVER	25	34	32-22796	FUEL LINE, FUEL FILTER TO UPPER CARBURETOR ..	17	--
27-22551	GASKET , END CAP	23	28				
27-25033	GASKET, INLET SEAT	13	27				
28-20137	KEY, MAGNETO DRIVING ..	21	14				

PARTS INDEX

Part Number	Description	Pg.	Ref. No.	Part Number	Description	Pg.	Ref. No.
32-23532	SLEEVE, STATOR LEAD AND CHOKE WIRE	11	10	54-23568	CLIP, INTERNAL WIRING HARNESS	11	9
32-26330	VENT TUBE , MAGNETO INLET	37	54	92-25234	GLUE, ADHESIVE - BLANKET FASTENING . . .	7	--
32-26338	VENT TUBE , MAGNETO OUTLET	37	53	100-139A2	COWL FRONT COVER ASSEMBLY	7	1
33-20127	SPARK PLUG	21	18	101-1024A5	TOP COWL ASSEMBLY	5	1
34-20035	REED , FUEL PRESSUE VALVE	27	21	103-230A2	BOTTOM COWL ASSEMBLY	35	1
34-20036	STOP , FUEL PRESSUE VALVE REED	27	22	103-401A2	BOTTOM COWL ASSEMBLY	35	1
34-20053	REED STOP , MAIN BEARING REED VALVES .	33	11	103-401A2	BOTTOM COWL ASSEMBLY	51	--
34-20888	REED SET , MAIN BEARING VALVE	33	10	107-1015A2	COWL WRAP AROUND ASSEMBLY	7	7
35-20337	SCREEN,WATER INTAKE . .	41	4	200-29A1	FLYWHEEL ASSEMBLY	9	-
35-20337	SCREEN,WATER INTAKE . .	43	-	208-1013A1	FLYWHEEL ASSEMBLY	11	3
35-20555	ELEMENT, FUEL FILTER . . .	15	6	208-998A1	FLYWHEEL ASSEMBLY	11	3
35-20555A2	FUEL FILTER ASSEMBLY . .	15	-	300-35	MAGNETO ASSEMBLY , COMPLETE (FM0XV4B70D)	23	-
37-23076	DECAL , MERCELECTRIC . .	35	-	300-35	MAGNETO ASSEMBLY , COMPLETE (FM-XV4B760D)	21	1
38-21022	SERIAL PLATE	39	34	397-352A1	BREAKER ARM ASSEMBLY	23	23
39-20058	RING PISTON	33	17	397-355	CAM WICK & HOLDER	23	22
39-20992	RING .015" O.S.	33	--	397-360	BRUSH & SPRING , COIL LEAD	25	35
40-20057	LOCK RING , PISTON PIN . .	33	16	397-371	INSULATOR , PRIMARY GROUND TERMINAL	23	12
43-20834	GEAR,PINION	41	24	397-416A1	GROUND STRAP ASS'Y (W/TERMINALS)	21	--
43-20975	GEAR ASSEMBLY,FORWARD . .	43	11	397-421A1	GROUND STRAP ASSEMBLY,BLOCK TO BOTTOM COWL	49	18
43-20975	GEAR ASSEMBLY,REVERSE	43	14	397-428	LEAD , HIGH TENSION (DISTRIBUTOR)	25	36
43-20975A1	FORWARD GEAR ASSEMBLY,COMPLETE . .	43	-	397-429	END CAP	23	29
43-20975A2	REVERSE GEAR ASSEMBLY,COMPLETE . .	43	--	397-430	COLI , IGNITION	23	17
43-22419	GEAR,REDUCTION	45	5	397-874	CONDENSER	23	20
43-22420	GEAR AND SHAFT,OUTPUT	45	3	397-898	ROTOR , DISTRIBUTOR	23	32
44-20866	SHAFT,PROPELLER	43	9	397-901	COVER , END CAP	25	37
45-20836	DRIVE SHAFT	41	11	397-902	FRAME	23	1
46-20263A2	CARTRIDGE ASSEMBLY,WATER PUMP	41	--	397-906	MAGNET ROTOR & SHAFT .	23	4
47-20268	IMPELLER,WATER PUMP . .	41	18	397-908	SEAL , MAGNETIC ROTOR SHAFT	23	2
48-22575A1	PROPELLER ASSEMBLY . . .	43	23	397-909	WIRE , PRIMARY GROUND .	23	11
50-20149	SHEAVE ASSEMBLY	5	5	397-918	SUPPORT , BEARING PLATE	23	6
50-22791A1	STARTER CABLE ASSEMBLY	5	19	397-919	CLIP , COIL	23	18
53-20048	SNAP RING , OUTER RACE CLAMPING	33	7	398-399	STATOR, ALTERNATOR (LONG LEADS)	11	12
53-20067	SNAP RING , MAGNETO SHAFT BEARING	31	17	398-892	STATOR, ALTERNATOR (SHORT LEADS)	11	12
53-20842	RING,RETAINING-CROSS PIN	43	6	400-3	CRANKSHAFT	33	1
53-21058	"E" RING, COWL LATCH HINGE PIN	7	10	500-12A2	CENTER MAIN BEARING ASSEMBLY	33	3
54-21826	CLIP , CONNECTOR CABLE	35	31	501-53	MAIN BEARING , VALVE TYPE	33	8
54-22465	CLEVIS CLIP, CHOKE LINK TO CHOKE ROD	19	4	600-7A1	ASSEMBLY , CONNECTING ROD & CAP	33	--
54-22783	"S" CLIP, WIRING HARNESS LEADS	11	11	700-6A1	ASSEMBLY . PISTON , PISTON PIN & LOCKING RING	33	--
54-22973	CLAMP,WIRING HARNESS .	49	2				
54-22976	CLAMP, FUEL LINE	15	--				
54-22976	CLAMP, FUEL LINE	17	--				
54-23567	CLIP, STATOR LEAD WIRE .	11	7				

PARTS INDEX

Part Number	Description	Pg.	Ref. No.	Part Number	Description	Pg.	Ref. No.
714-497A1	PISTON & PIN ASSEMBLY .015" O.S.	33	--				
800-8A2	CYLINDER BLOCK & CRANKSHAFT ASSEMBLY	27	1				
1001-19A1	CYLINDER BLOCK COVER ASSEMBLY	31	2				
1100-339A1	END CAP ASSEMBLY , UPPER	31	-				
1100-339A1	END CAP ASSEMBLY, UPPER	11	13				
1100-39A1	END CAP ASSEMBLY	9	--				
1100-39A1	END CAP ASSEMBLY , UPPER	31	-				
1117-346A1	UPPER END CAP ASSEMBLY	45	-				
1118-347A3	LOWER END CAP ASSEMBLY	45	--				
11Q224A1	END CAP ASSEMBLY LOWER	27	--				
1302-146	CARBURETOR ASSEMBLY (TILLOTSON)	13	1				
1302-146	CARBURETOR ASSEMBLY (TILLOTSON)	17	1				
1399-100	COVER, FLOAT BOWL	13	20				
1399-101	LEVER, FLOAT (UPPER) ...	13	5				
1399-102	LEVER, FLOAT (LOWER) ...	13	4				
1399-107	SHETTER, THROTTLE	13	25				
1399-108	PACKING, MAIN ADJUSTMENT SCREW ..	13	14				
1399-110A1	FLOAT ASSEMBLY	13	2				
1399-1138	INLET NEEDLE, SEAT & GASKET	13	6				
1399-215	SCREEN, INLET	13	7				
1399-216	SHAFT, THROTTLE	13	10				
1399-219	KNOB, HIGH SPEED ADJUSTMENT	13	31				
1399-220	SCREW, IDLE ADJUSTMENT	13	18				
1399-224	SCREW, MAIN ADJUSTMENT	13	16				
1399-393	REPAIR PARTS KIT (CARBURETOR)	13	--				
1399-94	GLAND, MAIN ADJUSTMENT SCREW	13	13				
1399-96	TUBE, BY-PASS	13	26				
1399-961	GASKET AND PACKING SET (CARBURETOR)	13	--				
1399-97	LEVER, THROTTLE STOP ..	13	9				
1399-99	GASKET, FLOAT BOWL COVER	13	19				
1400-150A1	CLAMP BRACKET ASSEMBLY	39	-				
1401-33	BRACKET, SWIVEL	39	6				
1500-32A1	DRIVE SHAFT HOUSING ASSEMBLY	3	1				
1603-93A2	GEAR HOUSING ASSEMBLY, COMPLETE ..	41	-				
1603-93A2	GEAR HOUSING ASSEMBLY, COMPLETE ..	43	-				
1603-93A3	GEAR HOUSING ASSEMBLY	41	-				
1603-93A3	GEAR HOUSING ASSEMBLY	43	1				