



PARTS CATALOG

7.5 J

SERIAL NUMBER

MERC 7.5J 85A1101 AND UP

TABLE OF CONTENTS:

BOTTOM COWL	14
CARBURETOR AND CHOKE ASSEMBLY	8
CARBURETOR ASSEMBLY	6
CLAMP BRACKET ASSEMBLY	20
CRANKSHAFT, PISTONS AND CONNECTING RODS	12
CYLINDER BLOCK AND CRANKCASE	10
DRIVE SHAFT HOUSING ASSEMBLY	18
FLYWHEEL AND IGNITION COMPONENTS	4
GEAR HOUSING	22
MISCELLANEOUS PARTS/ACCESSORIES	1
PARTS INDEX	24
SWIVEL BRACKET ASSEMBLY	16
TOP COWL AND STARTER ASSEMBLY	2

NOTE: *Indented description indicate that these parts are included in preceeding assembly.*

AR = As Required

NSS = Not Sold Separate

OPT = Optional

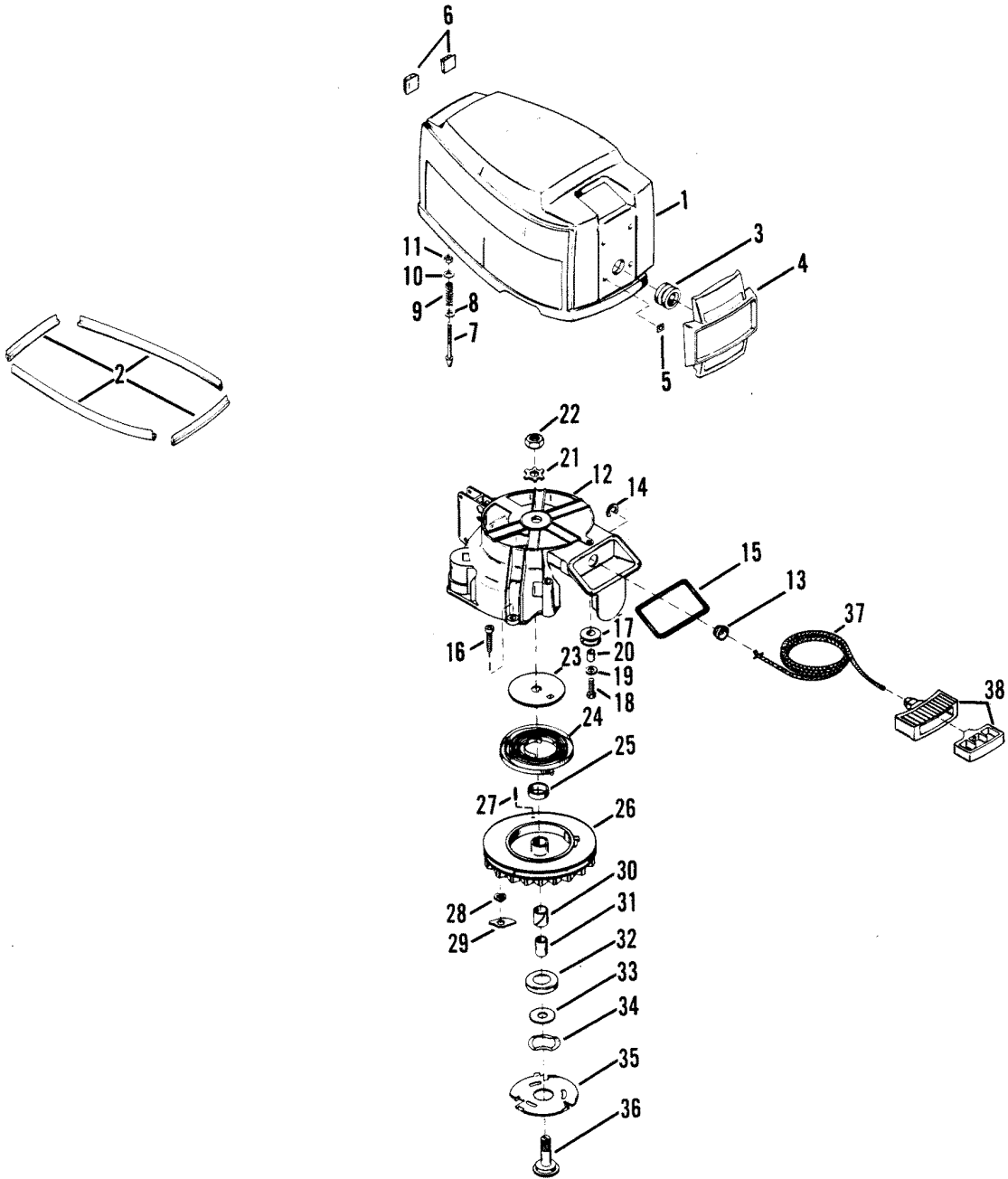
NS = Not Shown

THESE PARTS BOOKS/FICHE CARD ARE COPYRIGHTED AND MAY NOT BE DISTRIBUTED OR REPRODUCED IN ANY OTHER FORMAT BY ANYONE OTHER THAN MERCURY MARINE WITHOUT THE PRIOR WRITTEN CONSENT OF MERCURY MARINE.

MISCELLANEOUS PARTS/ACCESSORIES

REF. NO.	PART NO.	SYM.	QTY.	DESCRIPTION
-	90-13764		0	MERC 7.5 J PARTS LIST
-	37-12921A86		0	DECAL SET
-	27-89014A80		0	GASKET SET(MOTOR OVERHAUL)
-	90-12743		0	OWNER'S GUIDE

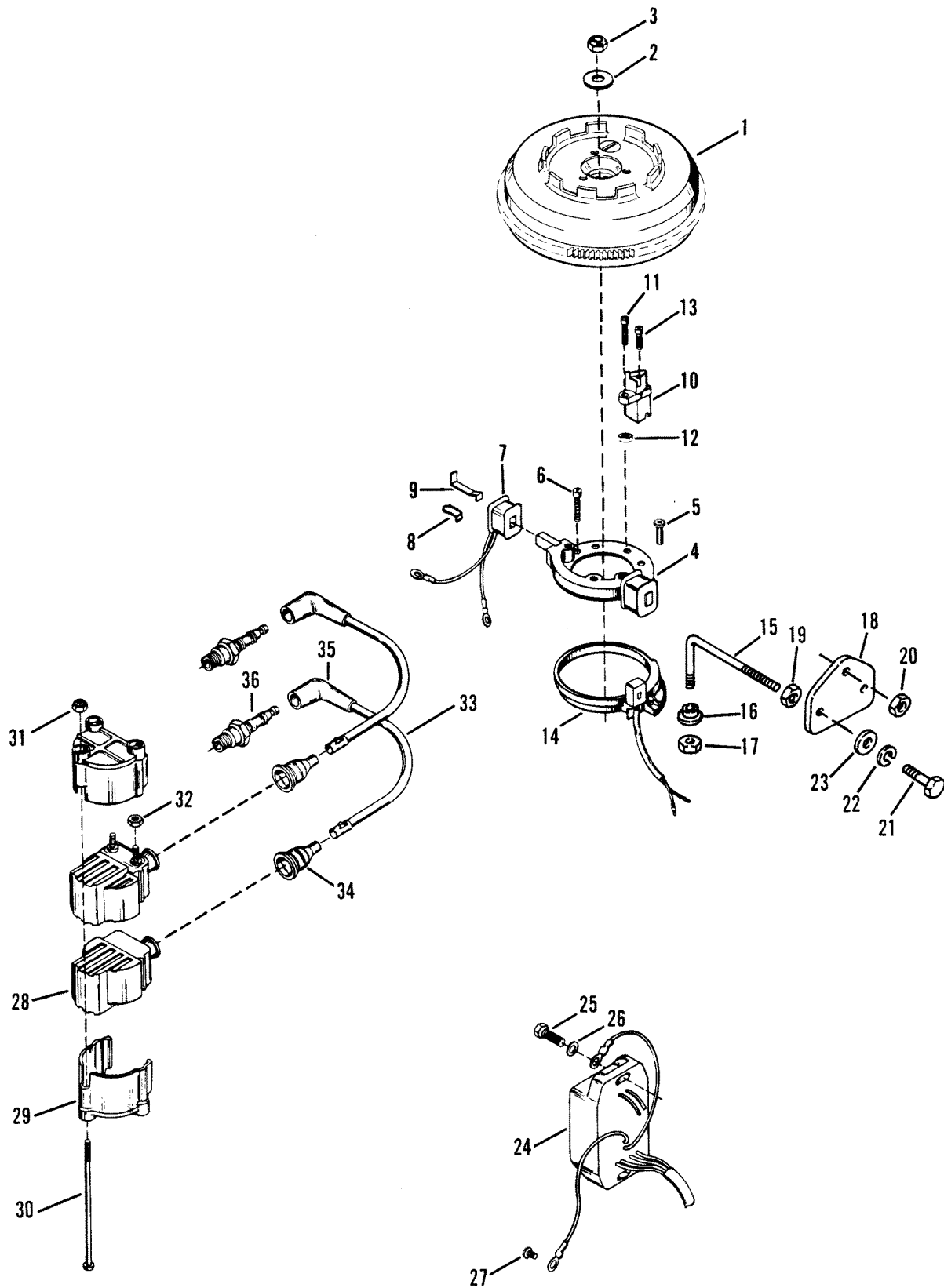
TOP COWL AND STARTER ASSEMBLY



TOP COWL AND STARTER ASSEMBLY

REF. NO.	PART NO.	SYM.	QTY.	DESCRIPTION
1	2160-7264A10		1	TOP COWL ASSEMBLY
2	65489--3		5	SEAL, TOP COWL (16-1/2")
3	25-39086		1	GROMMET, COWL LATCH-TOP COWL
4	71502		2	COVER, FRONT
5	11-65517		4	NUT, SPEED-FRONT COVER TO TOP COWL
6	69346		2	BUMPER, COWL-REAR
7	17-72856		1	PIN, TOP COWL CATCH
8	12-98500		1	WASHER, TOP COWL CATCH (LOWER)
9	24-79351		1	SPRING, COMPRESSION-COWL CATCH
10	12-65567		1	WASHER, TOP COWL CATCH (UPPER)
11	11-20184		1	NUT, COWL CATCH TO TOP COWL
12	91871A1		1	STARTER HOUSING ASSEMBLY
13	58657		1	ROPE GUIDE
14	53-72168		1	RING, RETAINING - ROPE GUIDE
15	65499--1		1	SEAL, STARTER HOUSING TO TOP COWL
16	10-72862		3	SCREW, STARTER HOUSING TO CRANKCASE (1")
17	93695		1	PULLEY, STARTER CABLE
18	10-28789		1	SCREW, CABLE PULLEY (3/4")
19	12-22887		1	WASHER, CABLE PULLEY SCREW
20	23-30977		1	SPACER, CABLE PULLEY
21	14-20165		1	TAB WASHER, SHEAVE SHAFT NUT
22	11-20166		1	NUT, SHEAVE SHAFT (LEFT HAND THREAD)
23	20155		1	RETAINER, STARTER SPRING
24	24-29340A1		1	SPRING, STARTER REWIND
25	23-28912		1	BUSHING, STARTER SPRING GUIDE
26	50-93696A2		1	STARTER SHEAVE ASSEMBLY
27	17-22896		1	PIN, RETAINER-STARTER CABLE
28	13-36206		3	WASHER, WAVE-STARTER PAWL
29	30596		3	PAWL, STARTER
30	23-28919		1	BUSHING, NYLON-SHEAVE SHAFT SPACER
31	23-61005		1	SPACER, SHEAVE SHAFT
32	26179		1	RETAINER, SHEAVE SHAFT TO STARTER SHEAVE
33	12-35559		1	WASHER, SHEAVE SHAFT RETAINER
34	13-20160		1	WASHER, WAVE-RETAINER TENSION
35	30595		1	PLATE, RETAINER-STARTER PAWL
36	35558		1	SHEAVE SHAFT
37	50-28985A2		1	STARTER CABLE ASSEMBLY
38	79470A1		1	HANDLE AND RETAINER ASSEMBLY, STARTER CABLE

FLYWHEEL AND IGNITION COMPONENTS



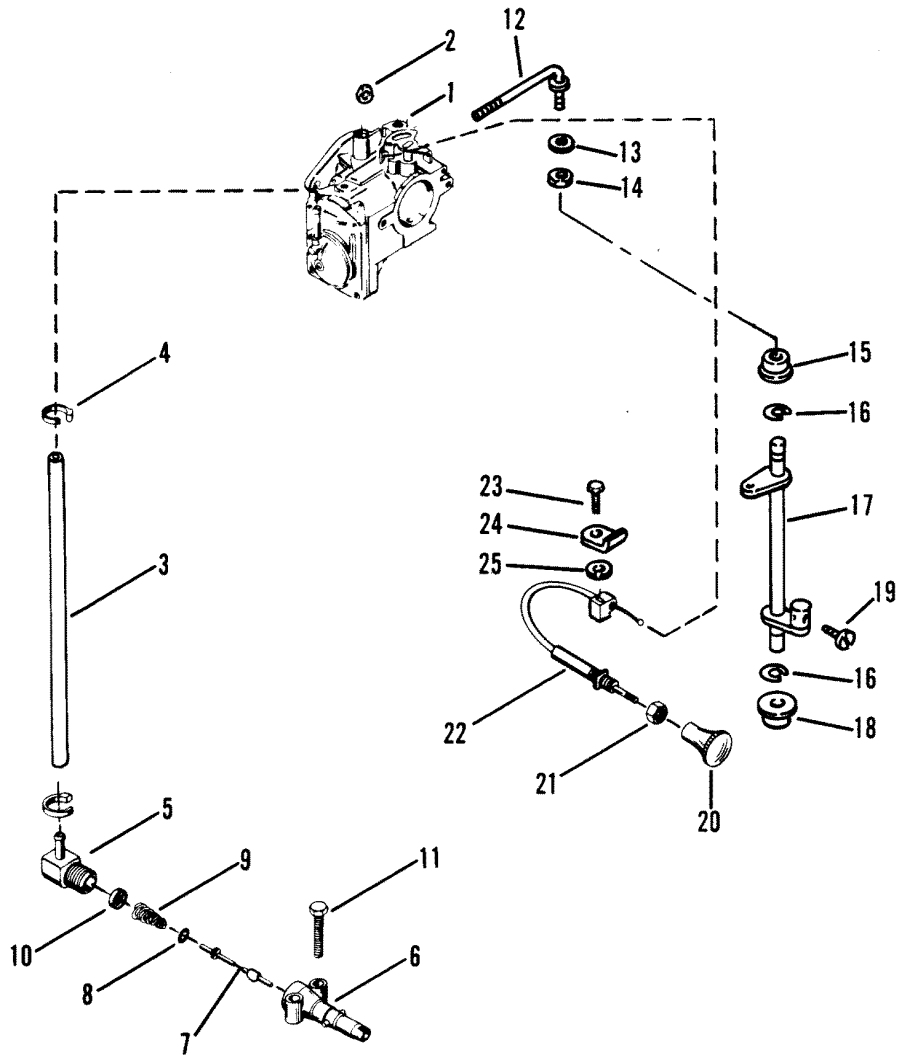
FLYWHEEL AND IGNITION COMPONENTS

REF. NO.	PART NO.	SYM.	QTY.	DESCRIPTION
1	251-6105A9		1	FLYWHEEL ASSEMBLY
2	12-36245		1	WASHER, FLYWHEEL NUT
3	11-20696		1	NUT, FLYWHEEL
4	339-5209A3		1	STATOR ASSEMBLY
5	10-35400		1	SCREW, STATOR TO END CAP (3/8")
6	10-66707		3	SCREW, STATOR TO END CAP (7/8")
7	339-6119A1		1	COIL ASSEMBLY (5-1/2" AND 6-3/8" LEADS)
	339-6120A1		1	COIL ASSEMBLY (1-3/4" AND 3-1/2" LEADS)
8	54-59538		2	CLIP, COIL RETAINING
9	54-85446		2	CLIP, COIL RETAINING
10	86-85365		1	TERMINAL BLOCK, STATOR
11	10-20646		1	SCREW, TERMINAL BLOCK TO STATOR (5/8")
12	11-46438		1	NUT, TERMINAL BLOCK SCREW
13	10-22654		1	SCREW, LEADS TO TERMINAL BLOCK (3/8")
14	338-7283A2		1	TRIGGER HOUSING ASSEMBLY
15	96958		1	ARM, TIMING
16	23-68470		1	BUSHING
17	11-20190		1	NUT, ARM TO TRIGGER
18	96959		1	BRACKET, TIMING
19	11-68219		1	NUT, JAM
20	11-20110		1	NUT, TIMING ARM
21	10-32228		2	SCREW, BRACKET TO CRANKCASE
22	13-26996		2	LOCKWASHER, BRACKET SCREW
23	12-24676		2	WASHER, BRACKET SCREW
24	339-6222A10		1	SWITCH BOX ASSEMBLY
25	10-20189		2	SCREW, SWITCH BOX ATTACHING (3/4")
26	12-56681		2	WASHER, SWITCH BOX ATTACHING SCREW
27	10-45218		1	SCREW, GROUND LEAD TO CYLINDER BLOCK
28	339-5288A2		2	IGNITION COIL ASSEMBLY
29	66355		2	COVER, IGNITION COIL
30	10-72074		3	SCREW, COIL COVER TO REAR BRACKET (4-5/8")
31	11-20110		3	NUT, COIL COVER SCREW
32	11-45076		4	NUT, IGNITION COIL TERMINAL
33	84-99215A25		2	LEAD ASSEMBLY, HIGH TENSION
34	332-2854		2	NIPPLE, IGNITION COIL
35	85-63709A1		2	PROTECTOR, SPARK PLUG
36	33-97186		2	SPARK PLUG (NGK #B9HS-10) BELGIUM AND CANADA USE 33-86866 SPARK PLUG

CARBURETOR ASSEMBLY

REF. NO.	PART NO.	SYM.	QTY.	DESCRIPTION
1	1364-8783A3		1	CARBURETOR ASSEMBLY, COMPLETE
2			1	WELCH PLUG, BODY CHANNEL (LARGE)
3			1	SCREW, IDLE MIXTURE
4			1	SPRING, IDLE MIXTURE SCREW
5			1	SPRING, RETURN- THROTTLE SHAFT
6			1	GASKET, FUEL PUMP DIAPHRAGM
7	1395-9293		1	FLOAT
8			1	PIN, FLOAT
9	1399-5127		1	FUEL BOWL
10			1	GASKET, FUEL BOWL
11	1395-9025		1	SCREW, FUEL BOWL
12			2	GASKET, FUEL BOWL SCREW
13	1395-9022		1	INLET NEEDLE
14			1	WELCH PLUG, BODY CHANNEL (SMALL)
15	1399-7570		1	JET, MAIN FUEL (.040)
16			2	PLUG, BODY CHANNEL
17	1399-7274		1	CHOKE SHUTTER
18			2	SCREW, CHOKE SHUTTER
19	69764		1	VENTURI
20			1	GASKET, FUEL PUMP DIAPHRAGM
21			1	DIAPHRAGM, FUEL PUMP
22	1399-5129		1	BODY, FUEL PUMP
23			1	GASKET, FUELPUMP DIAPHRAGM
24			1	DIAPHRAGM, FUEL PUMP
25	1399-5131		1	BODY, STRAINER
26	1399-5132		4	SCREW, STRAINER BODY
27	1399-5758		1	SCREEN, STRAINER
28	1399-5207		1	GASKET, STRAINER COVER
29	1399-8149		1	COVER, STRAINER (INLET)
30			1	SCREW, STRAINER COVER
31			1	GASKET, STRAINER COVER SCREW
32	1399-7273		1	CHOKE SHAFT
33			1	SPRING, RETURN- CHOKE SHAFT
34	1399-7571		1	THROTTLE SHAFT
35	96971A1		1	LEVER, THROTTLE
36	10-20646		1	SCREW, THROTTLE LEVER
37	11-87599		1	NUT, THROTTLE LEVER SCREW
40			1	SCREW, PLUG-IDLE TUBE
41	43420		1	THROTTLE SHUTTER
42			2	SCREW, THROTTLE SHUTTER
43	27-63309		1	GASKET, CARBURETOR FLANGE

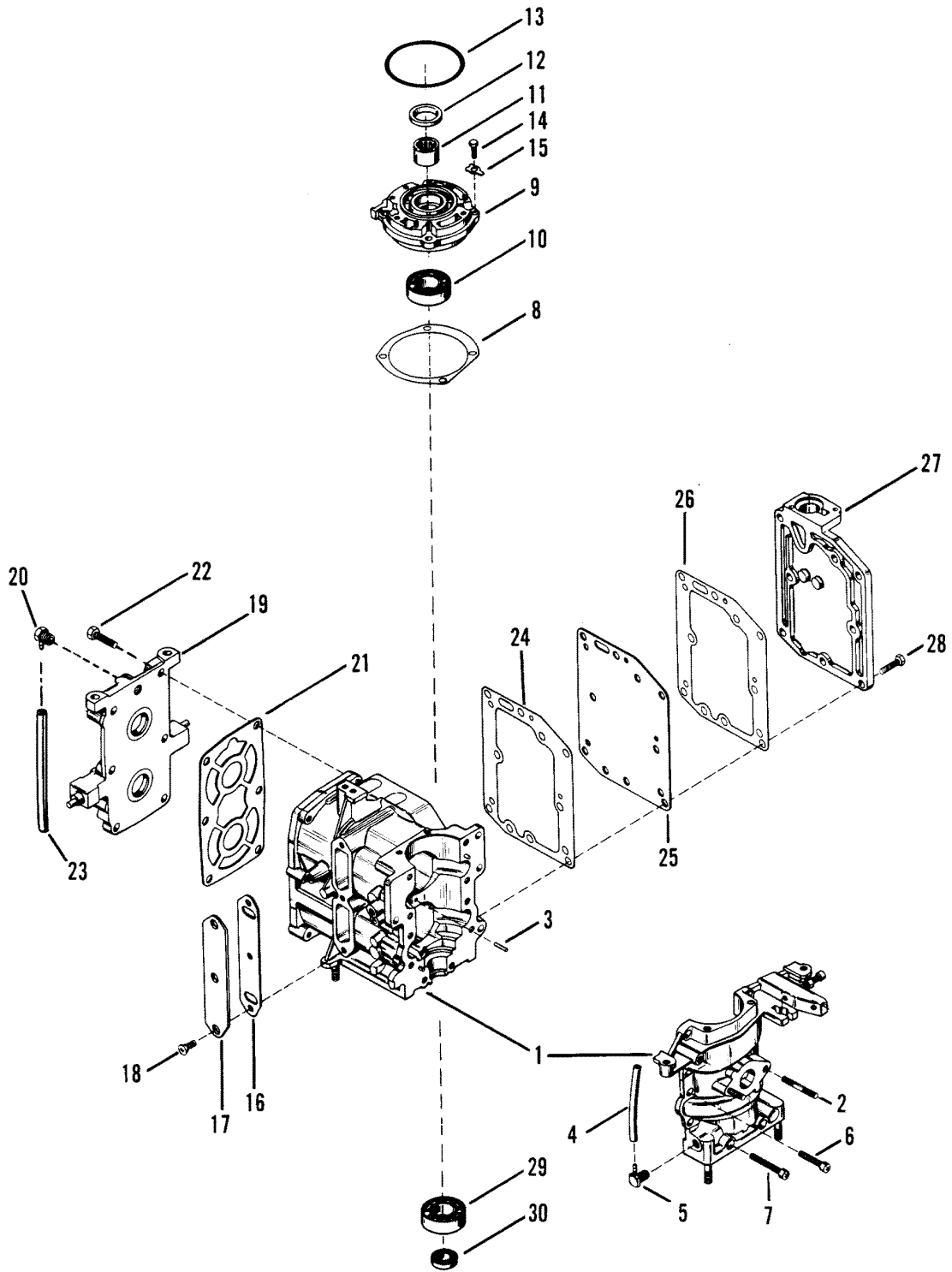
CARBURETOR AND CHOKE ASSEMBLY



CARBURETOR AND CHOKE ASSEMBLY

REF. NO.	PART NO.	SYM.	QTY.	DESCRIPTION
1	1364-8783A3		1	CARBURETOR ASSEMBLY
2	11-24652		2	NUT, CARBURETOR ATTACHING
3	32-99127109		1	FUEL LINE, ADAPTOR TO CARBURETOR
4	54-68424		2	CLAMP, FUEL LINE ATTACHING
5	22-98750		1	FITTING, FUEL LINE TO ADAPTOR
6	22833		1	ADAPTOR, CHECK UNIT (FUEL LINE)
7	23069		1	STEM, CHECK UNIT ADAPTOR
8	25-20415		1	"O" RING, ADAPTOR STEM
9	24-23067		1	SPRING, ADAPTOR STEM
10	30188		1	CUP WASHER, ADAPTOR
11	10-37923		1	SCREW, ADAPTOR TO BOTTOM COWL (1-1/4")
12	96975		1	THROTTLE ARM
13	12-24676		1	WASHER, THROTTLE ARM
	12-24676		1	WASHER, THROTTLE ARM
14	11-26768		1	NUT, THROTTLE ARM
15	23-96974		1	BUSHING, THROTTLE SHAFT - UPPER
16	53-89284		2	RETAINING RING, THROTTLE SHAFT
17	96961A1		1	THROTTLE SHAFT ASSEMBLY
18	23-96973		1	BUSHING, THROTTLE SHAFT - LOWER
19	10-36046		1	SCREW, THROTTLE CABLE
20	86381		1	KNOB, CHOKE
21	11-73710		1	NUT, CHOKE CABLE TO BOTTOM COWL
22	72465		1	CHOKE CABLE
23	10-45862		1	SCREW, CHOKE CABLE TO CARBURETOR
24	96960		1	THROTTLE STOP
25	12-34680		1	WASHER, CHOKE CABLE SCREW

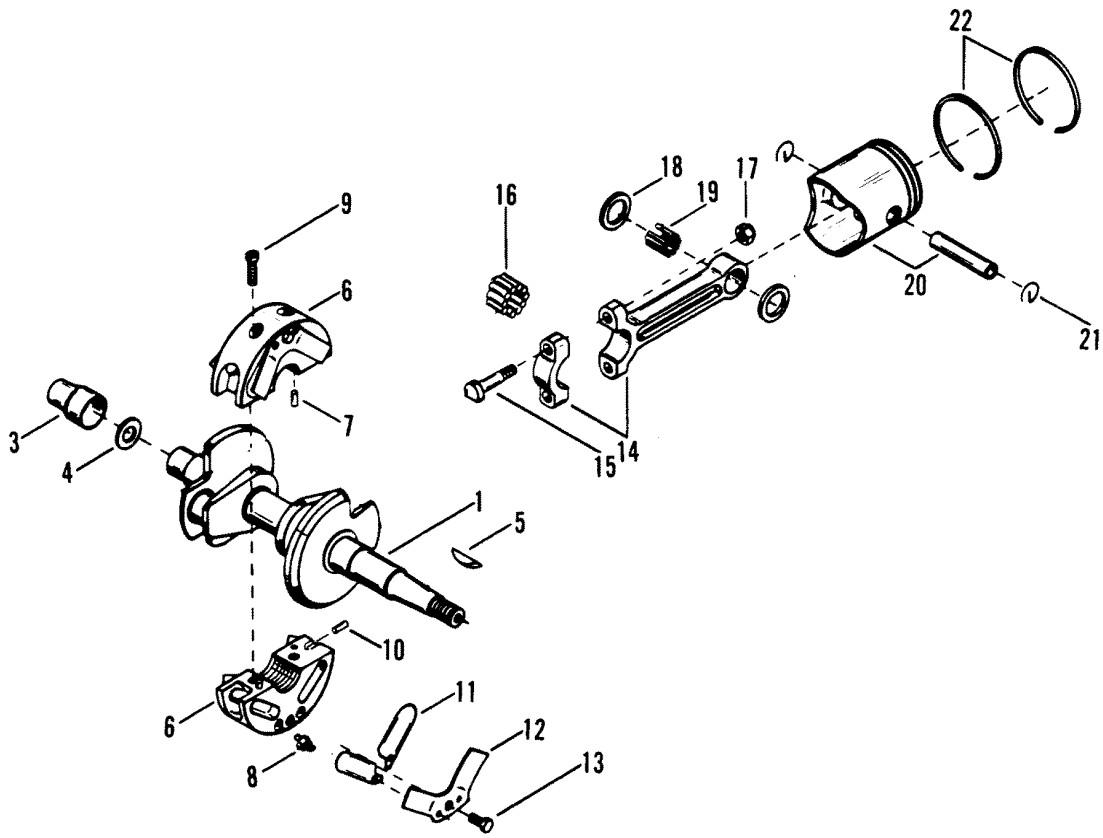
CYLINDER BLOCK AND CRANKCASE



CYLINDER BLOCK AND CRANKCASE

REF. NO.	PART NO.	SYM.	QTY.	DESCRIPTION
1	837-7693A2		1	CYLINDER BLOCK AND CRANKCASE ASSEMBLY
2	16-66357		2	STUD, CARBURETOR MOUNTING
3	17-85500		2	DOWEL PIN, CRANKCASE TO CYLINDER BLOCK
4	32-99130122		1	HOSE, BLEED DRAIN (4")
5	21-42863		1	CHECK VALVE, BLEED - CRANKCASE (BOTTOM)
6	10-76621		8	SCREW, CRANKCASE TO CYLINDER BLOCK
7	10-73280		2	SCREW, CRANKCASE TO CYLINDER BLOCK
8	15-31412A1		AR	SHIM, UPPER HOUSING TO CYLINDER BLOCK (.002-3-5-10)
9	1164-6413A1		1	BEARING HOUSING ASSEMBLY, UPPER
10	30-72961		1	BALL BEARING, UPPER BEARING HOUSING
11	31-31410		1	ROLLER BEARING, UPPER BEARING HOUSING
12	26-66301		1	OIL SEAL, UPPER BEARING HOUSING
13	25-20863		1	"O" RING, UPPER BEARING HOUSING
14	10-76611		4	SCREW, UPPER BEARING HOUSING (1/2")
15	14-78102		4	TAB WASHER, UPPER BEARING HOUSING SCREW
16	27-43336		1	GASKET, INTAKE COVER
17	78033		1	COVER, INTAKE
18	10-26537		3	SCREW, INTAKE COVER TO CYLINDER BLOCK
19	1019-7465A1		1	COVER ASSEMBLY, CYLINDER BLOCK
20	22-99664		1	ELBOW, CYLINDER COVER
21	27-41382		1	GASKET, CYLINDER BLOCK COVER
22	10-76630		6	SCREW, CYLINDER BLOCK COVER TO CYLINDER BLOCK (1")
23	32-99127109		1	HOSE, TELLTALE
24	27-41383		1	GASKET, CYLINDER BLOCK TO BAFFLE PLATE
25	85935		1	PLATE, BAFFLE - EXHAUST MANIFOLD
26	27-41383		1	GASKET, BAFFLE PLATE
27	74919		1	COVER, EXHAUST MANIFOLD
28	10-28668		8	SCREW, BAFFLE PLATE AND MANIFOLD COVER MOUNTING (3/4")
29	30-72961		1	BALL BEARING, CRANKCASE (LOWER)
30	26-66301		1	OIL SEAL, CRANKCASE (LOWER)

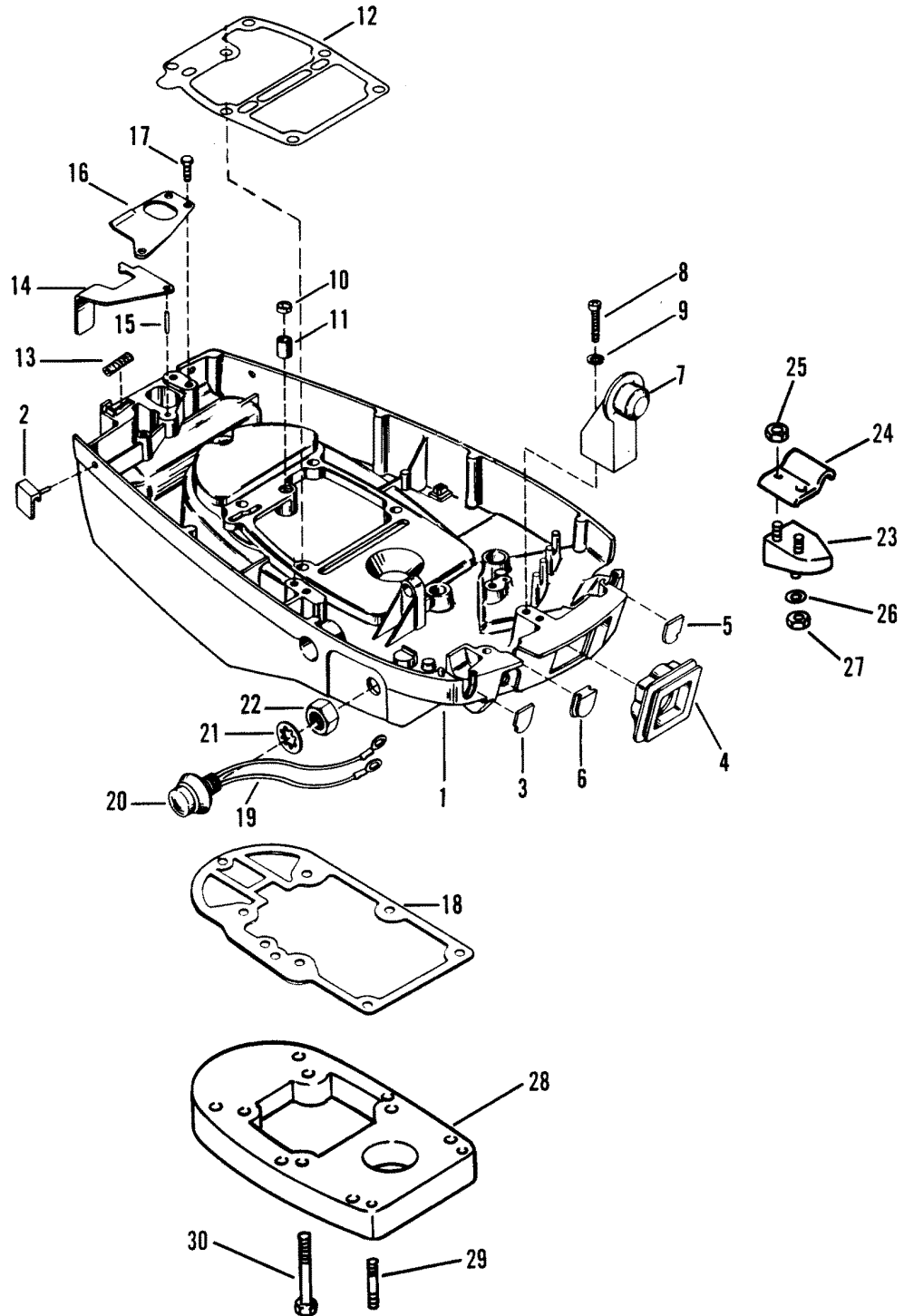
CRANKSHAFT, PISTONS AND CONNECTING RODS



CRANKSHAFT, PISTONS AND CONNECTING RODS

REF. NO.	PART NO.	SYM.	QTY.	DESCRIPTION
1	421-7271A2		1	CRANKSHAFT ASSEMBLY
3	79952A1		1	CARRIER ASSEMBLY
4	12-79960		1	WASHER, FELT
5	28-20094		1	KEY, CRANKSHAFT
6	550-8122A5		1	MAIN BEARING ASSEMBLY (VALVE TYPE)
7	17-20032		2	DOWEL PIN, MAIN BEARING
8	17-65855		8	DOWEL PIN, REED LOCATING
9	10-56781		2	SCREW, MAIN BEARING CLAMPING
10	17-20032		1	DOWEL PIN, MAIN BEARING TO BLOCK
11	34-31942A1		1	REED SET, MATCHED - MAIN BEARING
12	34-20053		4	REED STOP, MAIN BEARING REED VALVES
13	10-27304		4	SCREW, REED STOP MOUNTING
14	608-7395A2		2	CONNECTING ROD ASSEMBLY
15	10-87374		4	SCREW, CONNECTING ROD
16	29-26815		58	NEEDLE BEARING, CRANKPIN
17	11-20061		4	NUT, CONNECTING ROD SCREW
18	12-65967		4	WASHER, NEEDLE BEARING RETAINING
19	29-31505		40	NEEDLE BEARING, PISTON PIN
20	719-7391A3		2	PISTON AND PISTON PIN ASSEMBLY (2 RING)
21	40-21666		4	LOCK RING, PISTON PIN
22	39-21665A12		1	PISTON RING

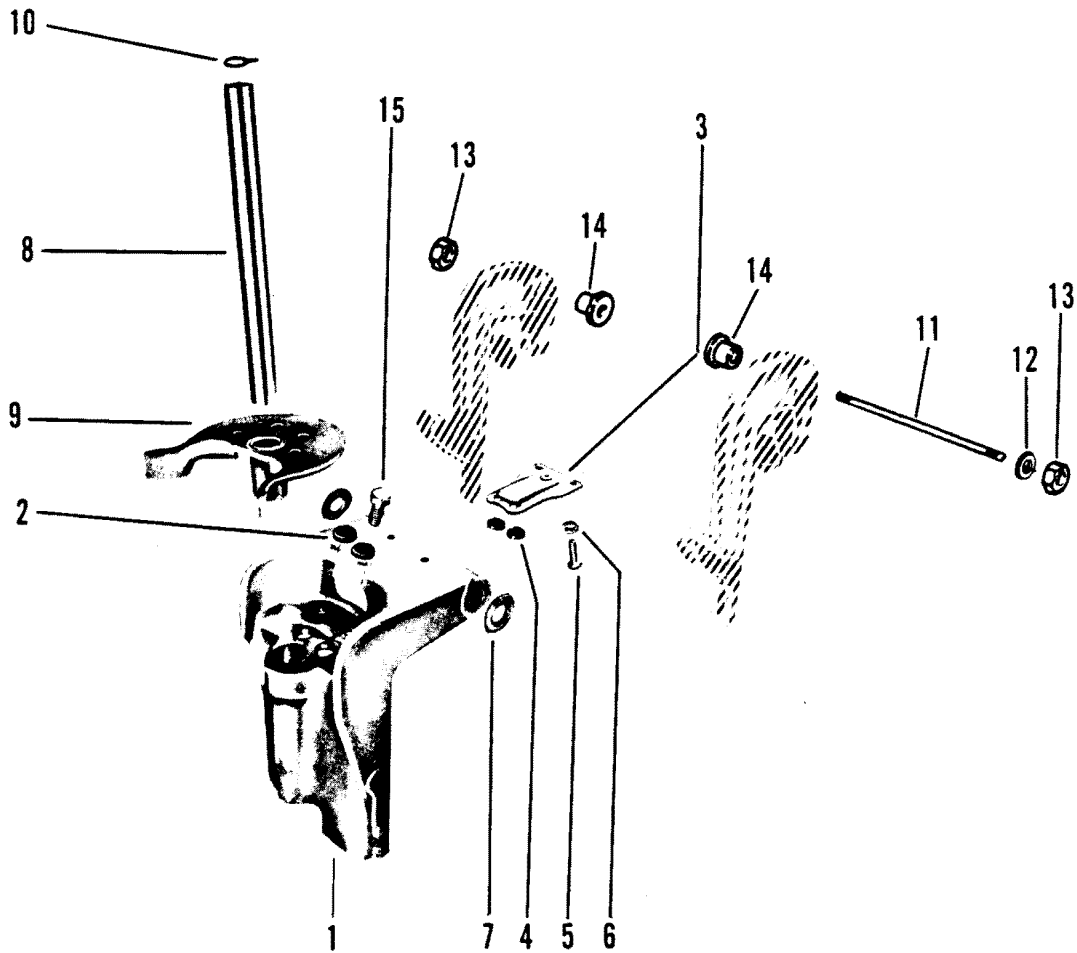
BOTTOM COWL



BOTTOM COWL

REF. NO.	PART NO.	SYM.	QTY.	DESCRIPTION
1	2159-6587A5		1	COWL, BOTTOM
2	19-95925		3	PLUG, BOTTOM COWL
3	74360		1	PLUG, BOTTOM COWL
4	39778		1	GROMMET, CHOKE SHAFT - BOTTOM COWL
5	66353		1	COVER, ACCESS HOLE
6	65479		1	COVER, ACCESS HOLE
7	39474		1	ANCHOR, LATCH - BOTTOM COWL
8	10-22483		2	SCREW, LATCH ANCHOR (1-1/8")
9	13-26992		2	LOCKWASHER, LATCH ANCHOR SCREW
10	23-86214		1	BEARING, NYLON - WATER OUTLET TUBE
11	26-36556		1	SEAL, RUBBER - WATER OUTLET TUBE
12	27-89937		1	GASKET, POWERHEAD TO ADAPTOR PLATE
13	24-78810		1	SPRING, CABLE TO ARM LATCH
14	78809		1	LATCH, ARM - BOTTOM COWL
15	29-71422		1	PIN, ARM LOCATING
16	78808		1	LATCH, BODY - BOTTOM COWL
17	10-32228		3	SCREW, LATCH TO BOTTOM COWL
18	27-39050		1	GASKET, BOTTOM COWL TO DRIVE SHAFT HOUSING
19	87-69508A11		1	STOP SWITCH ASSEMBLY
20	87-99525A1		1	COVER ASSEMBLY, STOP SWITCH
21	13-69845		1	LOCKWASHER, STOP SWITCH
22	11-69844		1	NUT, STOP SWITCH
23	41009A1		1	BRACKET ASSEMBLY, THROTTLE CABLE
24	25788		1	PLATE, CLAMPING
25	11-20190		2	NUT, CLAMPING PLATE
26	12-39143		1	WASHER, BRACKET TO COWL
27	11-35888		1	NUT, BRACKET TO COWL
28	99915		1	ADAPTOR
29	16-21015		4	STUD, ADAPTOR (1-1/2")
	16-66021		2	STUD, ADAPTOR (1-3/8")
30	10-43421		6	SCREW, ADAPTOR TO CYLINDER BLOCK

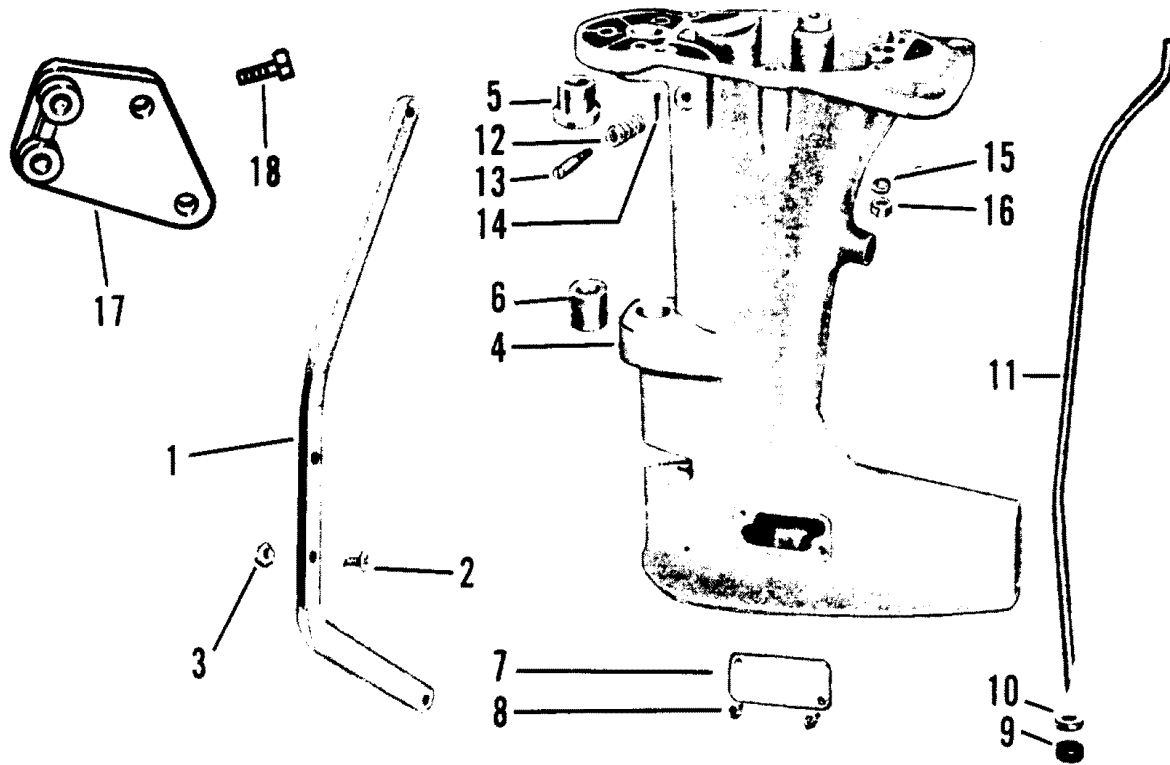
SWIVEL BRACKET ASSEMBLY



SWIVEL BRACKET ASSEMBLY

REF. NO.	PART NO.	SYM.	QTY.	DESCRIPTION
1	1402-134A1		1	SWIVEL BRACKET ASSEMBLY
2	20203		2	DISC, FRICTION
3	20701A1		1	CLAMP PLATE ASSEMBLY
4	20203		2	DISC, FRICTION
5	10-60300		2	SCREW, CLAMP PLATE MOUNTING
6	13-26992		2	LOCKWASHER, CLAMP PLATE MOUNTING SCREW
7	15-20695		2	SHIM, CLAMP BRACKET TO SWIVEL BRACKET (.010)
8	17-20891		1	SWIVEL PIN, CO-PILOT DISC
9	20951		1	CO-PILOT DISC ASSEMBLY
10	19-69316		1	CAP, SWIVEL PIN
11	16-78582		1	STUD, CLAMP BRACKET TO SWIVEL BRACKET
12	12-22248		2	WASHER, CLAMP BRACKET STUD
13	11-20696		2	NUT, CLAMP BRACKET TO SWIVEL BRACKET STUD
14	23-F78544		2	BUSHING, CLAMP BRACKET STUD
15	10-47277		1	SCREW, CO-PILOT ADJUSTING

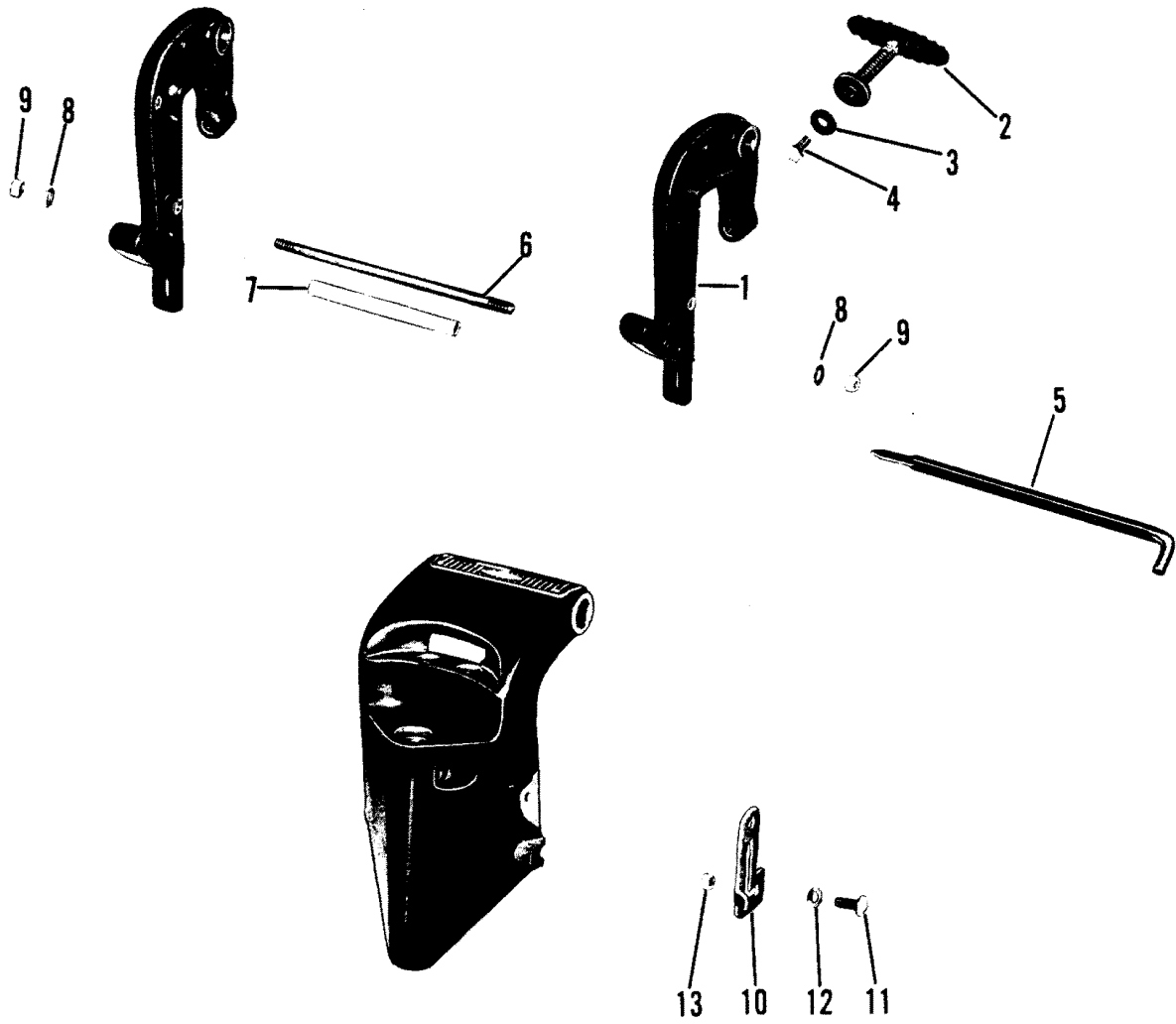
DRIVE SHAFT HOUSING ASSEMBLY



DRIVE SHAFT HOUSING ASSEMBLY

REF. NO.	PART NO.	SYM.	QTY.	DESCRIPTION
1	65823A1		1	STEERING BAR ASSEMBLY
2	10-20639		2	SCREW, STEERING BAR TO DRIVE SHAFT HOUSING
3	11-35814		2	NUT, STEERING BAR SCREW
4	1577-5153A7		1	DRIVE SHAFT HOUSING ASSEMBLY
5	23-29669		1	BUSHING, UPPER
6	23-29670		1	BUSHING, LOWER
7	20682		1	COVER PLATE, DRIVE SHAFT HOUSING
8	10-20681		2	SCREW, COVER PLATE TO DRIVE SHAFT HOUSING
9	12-20684		1	SEAL, WATER TUBE - LOWER
10	12-20683		1	WASHER, WATER TUBE SEAL - LOWER
11	32-41057		1	TUBE, WATER INLET
12	24-20229		2	SPRING, CO-PILOT TO DRIVE SHAFT HOUSING
13	10-21070		2	SCREW, CO-PILOT SPRING GUIDE
14	18-21071		2	COTTER PIN, CO-PILOT SPRING GUIDE SCREW
15	12-39167		4	WASHER, POWERHEAD STUDS
	12-39143		2	WASHER, POWERHEAD STUDS
16	11-35814		4	NUT, POWERHEAD STUDS
	11-20361		2	NUT, POWERHEAD STUDS
17	29498		1	BRACKET, CHECK UNIT ADAPTOR
18	10-69035		2	SCREW, ADAPTOR BRACKET TO DRIVE SHAFT HOUSING

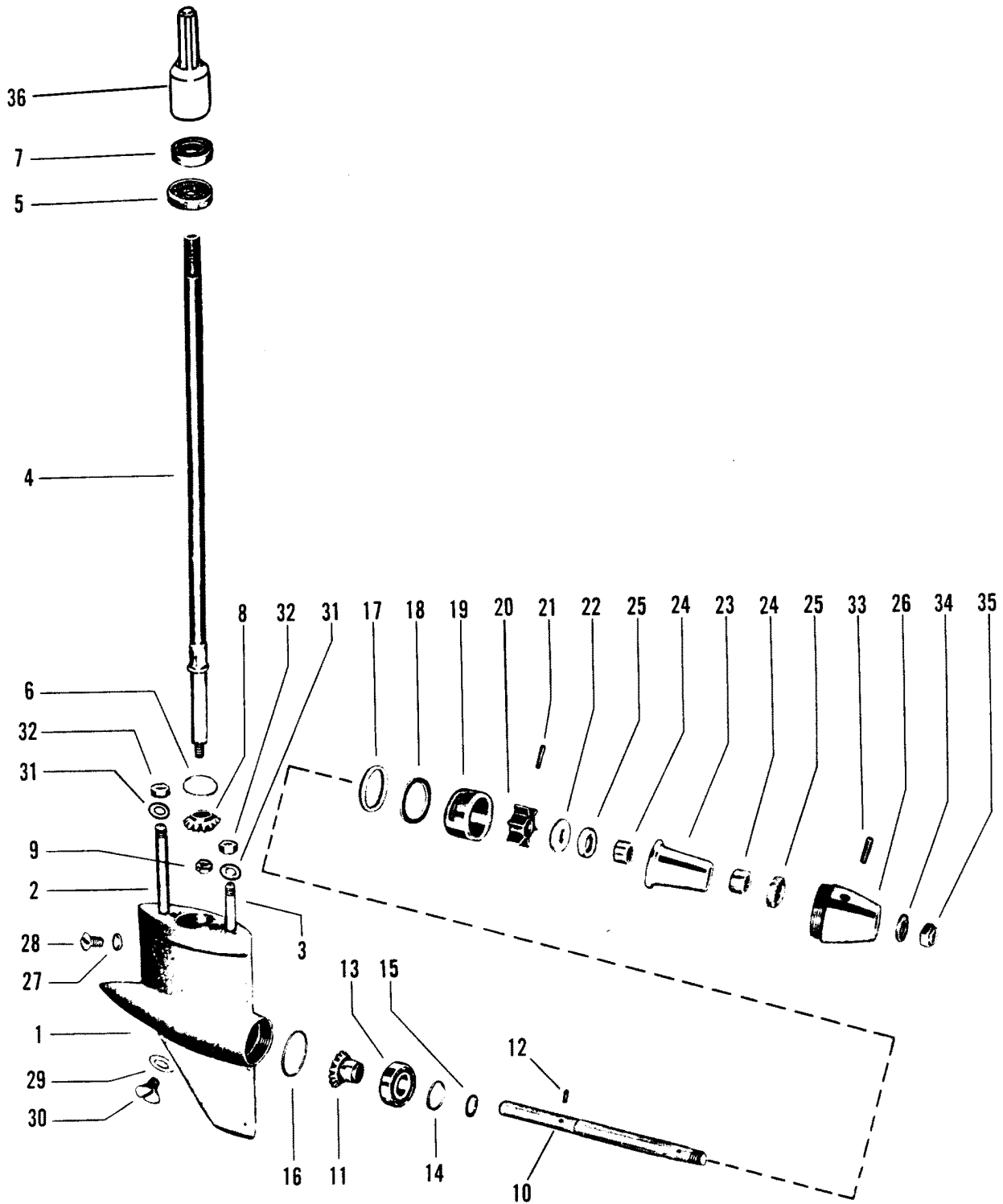
CLAMP BRACKET ASSEMBLY



CLAMP BRACKET ASSEMBLY

REF. NO.	PART NO.	SYM.	QTY.	DESCRIPTION
1	1427-5632A3		2	CLAMP BRACKET ASSEMBLY
2	10-77190A3		2	THUMB SCREW ASSEMBLY
3	12-73719		2	WASHER, THUMB SCREW
4	10-76804		2	SCREW, THUMB SCREW
5	17-56373A2		1	TILT LOCK PIN ASSEMBLY
6	16-59620		1	STUD, CLAMP BRACKET (8")
7	23-59621		1	SPACER, CLAMP BRACKET STUD
8	13-26993		2	LOCKWASHER, CLAMP BACKET STUD
9	11-22053		2	NUT, CLAMP BRACKET STUD
10	63310A1		1	LEVER ASSEMBLY, TILT STOP
11	10-41433		2	SCREW, RETAINING - LEVER TO SWIVEL BRACKET
12	13-31030		2	WASHER, WAVE - TILT STOP LEVER SCREW
13	11-36069		2	NUT, TILT STOP LEVER SCREW

GEAR HOUSING



GEAR HOUSING

REF. NO.	PART NO.	SYM.	QTY.	DESCRIPTION
-	1604-1116A8		1	GEAR HOUSING ASSEMBLY, COMPLETE
1	1604-1116A2		1	GEAR HOUSING ASSEMBLY
	31-20904		1	ROLLER BEARING, PROPELLER SHAFT
	31-20908		1	ROLLER BEARING, DRIVE SHAFT
	10-21048		1	PLUG, HEADLESS
2	16-52606		1	STUD, GEAR HOUSING (LONG)
3	16-20313		1	STUD, GEAR HOUSING (LONG)
5	30-25728		1	BALL BEARING, DRIVE SHAFT
6	15-20919A1		AR	SHIM, BALL BEARING TO GEAR HOUSING
7	47947A1		1	PILOT AND OIL SEAL ASSEMBLY
-	26-20070		1	OIL SEAL
8	43-29490		1	PINION GEAR
9	11-65562		1	NUT, PINION GEAR LOCKING
10	44-20923		1	PROPELLER SHAFT
11	43-29491		1	GEAR, PROPELLER SHAFT
12	17-20937		1	PIN, PROPELLER GEAR TO SHAFT
13	30-20938		1	BALL BEARING, PROPELLER SHAFT
14	15-20939A1		AR	SHIM, BALL BEARING TO SNAP RING
15	53-20940		1	SNAP RING
16	15-20941A1		AR	SHIM, BALL BEARING TO GEAR HOUSING
17	12-20942		1	WASHER, SEALING - WATER PUMP CARTRIDGE
18	25-20812		1	SEAL, RUBBER - WATER PUMP CARTRIDGE
19	46-20943A1		1	WATER PUMP CARTRIDGE ASSEMBLY
-	26-20903		1	OIL SEAL
20	47-20945		1	IMPELLER, WATER PUMP
21	17-20946		1	PIN, IMPELLER DRIVE
22	20947		1	PLATE, WATER PUMP COVER
23	46-20905A1		1	WATER PUMP COVER ASSEMBLY
24	31-20904		2	ROLLER BEARING
25	26-20903		2	OIL SEAL, WATER PUMP COVER
26	20902		1	COVER, GEAR HOUSING
27	12-20262		1	WASHER, GEAR HOUSING VENT SCREW
28	10-28653		1	SCREW, GEAR HOUSING VENT
29	12-20260		1	WASHER, GREASE FILLER HOLE SCREW
30	10-79953		1	SCREW, GREASE FILLER HOLE
31	12-20413		2	WASHER, GEAR HOUSING STUDS
32	11-34932		1	NUT, GEAR HOUSING STUDS
	11-34863		1	NUT, GEAR HOUSING STUD
33	17-25971		1	PIN, SHEAR
34	12-20959		1	WASHER, PROPELLER NUT
35	11-20958		1	PROPELLER NUT
36	96972		1	ADAPTOR SHAFT

PARTS INDEX

Part Number	Description	Pg.	Ref. No.	Part Number	Description	Pg.	Ref. No.
20155	RETAINER, STARTER			85935	PLATE, BAFFLE - EXHAUST		
	SPRING	3	23		MANIFOLD	11	25
20203	DISC, FRICTION	17	2	86381	KNOB, CHOKE	9	20
20203	DISC, FRICTION	17	4	91871A1	STARTER HOUSING		
20682	COVER PLATE, DRIVE				ASSEMBLY	3	12
	SHAFT HOUSING	19	7	93695	PULLEY, STARTER CABLE .	3	17
20701A1	CLAMP PLATE ASSEMBLY .	17	3	96958	ARM, TIMING	5	15
20902	COVER, GEAR HOUSING ..	23	26	96959	BRACKET, TIMING	5	18
20947	PLATE, WATER PUMP			96960	THROTTLE STOP	9	24
	COVER	23	22	96961A1	THROTTLE SHAFT		
20951	CO-PILOT DISC ASSEMBLY	17	9		ASSEMBLY	9	17
22833	ADAPTOR, CHECK UNIT			96971A1	LEVER, THROTTLE	7	35
	(FUEL LINE)	9	6	96972	ADAPTOR SHAFT	23	36
23069	STEM, CHECK UNIT			96975	THROTTLE ARM	9	12
	ADAPTOR	9	7	99915	ADAPTOR	15	28
25788	PLATE, CLAMPING	15	24	10-20189	SCREW, SWITCH BOX		
26179	RETAINER, SHEAVE SHAFT				ATTACHING (3/4")	5	25
	TO STARTER SHEAVE ..	3	32	10-20639	SCREW, STEERING BAR TO		
29498	BRACKET, CHECK UNIT				DRIVE SHAFT HOUSING .	19	2
	ADAPTOR	19	17	10-20646	SCREW, TERMINAL BLOCK		
30188	CUP WASHER, ADAPTOR ..	9	10		TO STATOR (5/8")	5	11
30595	PLATE, RETAINER-STARTER			10-20646	SCREW, THROTTLE LEVER	7	36
	PAWL	3	35	10-20681	SCREW, COVER PLATE TO		
30596	PAWL, STARTER	3	29		DRIVE SHAFT HOUSING .	19	8
35558	SHEAVE SHAFT	3	36	10-21048	PLUG, HEADLESS	23	1
39474	ANCHOR, LATCH - BOTTOM			10-21070	SCREW, CO-PILOT SPRING		
	COWL	15	7		GUIDE	19	13
39778	GROMMET, CHOKE SHAFT -			10-22483	SCREW, LATCH ANCHOR (1-		
	BOTTOM COWL	15	4		1/8")	15	8
41009A1	BRACKET ASSEMBLY,			10-22654	SCREW, LEADS TO		
	THROTTLE CABLE	15	23		TERMINAL BLOCK (3/8") .	5	13
43420	THROTTLE SHUTTER	7	41	10-26537	SCREW, INTAKE COVER TO		
47947A1	PILOT AND OIL SEAL				CYLINDER BLOCK	11	18
	ASSEMBLY	23	7	10-27304	SCREW, REED STOP		
58657	ROPE GUIDE	3	13		MOUNTING	13	13
63310A1	LEVER ASSEMBLY, TILT			10-28653	SCREW, GEAR HOUSING		
	STOP	21	10		VENT	23	28
65479	COVER, ACCESS HOLE ...	15	6	10-28668	SCREW, BAFFLE PLATE		
65489--3	SEAL, TOP COWL (16-1/2") .	3	2		AND MANIFOLD COVER		
65499--1	SEAL, STARTER HOUSING				MOUNTING (3/4")	11	28
	TO TOP COWL	3	15	10-28789	SCREW, CABLE PULLEY		
65823A1	STEERING BAR ASSEMBLY	19	1		(3/4")	3	18
66353	COVER, ACCESS HOLE ...	15	5	10-32228	SCREW, BRACKET TO		
66355	COVER, IGNITION COIL ...	5	29		CRANKCASE	5	21
69346	BUMPER, COWL-REAR	3	6	10-32228	SCREW, LATCH TO		
69764	VENTURI	7	19		BOTTOM COWL	15	17
71502	COVER, FRONT	3	4	10-35400	SCREW, STATOR TO END		
72465	CHOKE CABLE	9	22		CAP (3/8")	5	5
74360	PLUG, BOTTOM COWL	15	3	10-36046	SCREW, THROTTLE CABLE	9	19
74919	COVER, EXHAUST			10-37923	SCREW, ADAPTOR TO		
	MANIFOLD	11	27		BOTTOM COWL (1-1/4") ..	9	11
78033	COVER, INTAKE	11	17	10-41433	SCREW, RETAINING -		
78808	LATCH, BODY - BOTTOM				LEVER TO SWIVEL		
	COWL	15	16		BRACKET	21	11
78809	LATCH, ARM - BOTTOM			10-43421	SCREW, ADAPTOR TO		
	COWL	15	14		CYLINDER BLOCK	15	30
79470A1	HANDLE AND RETAINER			10-45218	SCREW, GROUND LEAD TO		
	ASSEMBLY, STARTER				CYLINDER BLOCK	5	27
	CABLE	3	38	10-45862	SCREW, CHOKE CABLE TO		
79952A1	CARRIER ASSEMBLY	13	3		CARBURETOR	9	23

PARTS INDEX

Part Number	Description	Pg.	Ref. No.	Part Number	Description	Pg.	Ref. No.
10-47277	SCREW, CO-PILOT ADJUSTING	17	15	11-46438	NUT, TERMINAL BLOCK SCREW	5	12
10-56781	SCREW, MAIN BEARING CLAMPING	13	9	11-65517	NUT, SPEED-FRONT COVER TO TOP COWL	3	5
10-60300	SCREW, CLAMP PLATE MOUNTING	17	5	11-65562	NUT, PINION GEAR LOCKING	23	9
10-66707	SCREW, STATOR TO END CAP (7/8")	5	6	11-68219	NUT, JAM	5	19
10-69035	SCREW, ADAPTOR BRACKET TO DRIVE SHAFT HOUSING	19	18	11-69844	NUT, STOP SWITCH	15	22
10-72074	SCREW, COIL COVER TO REAR BRACKET (4-5/8")	5	30	11-73710	NUT, CHOKE CABLE TO BOTTOM COWL	9	21
10-72862	SCREW, STARTER HOUSING TO CRANKCASE (1")	3	16	11-87599	NUT, THROTTLE LEVER SCREW	7	37
10-73280	SCREW, CRANKCASE TO CYLINDER BLOCK	11	7	12-20260	WASHER, GREASE FILLER HOLE SCREW	23	29
10-76611	SCREW, UPPER BEARING HOUSING (1/2")	11	14	12-20262	WASHER, GEAR HOUSING VENT SCREW	23	27
10-76621	SCREW, CRANKCASE TO CYLINDER BLOCK	11	6	12-20413	WASHER, GEAR HOUSING STUDS	23	31
10-76630	SCREW, CYLINDER BLOCK COVER TO CYLINDER BLOCK (1")	11	22	12-20683	WASHER, WATER TUBE SEAL - LOWER	19	10
10-76804	SCREW, THUMB SCREW	21	4	12-20684	SEAL, WATER TUBE - LOWER	19	9
10-77190A3	THUMB SCREW ASSEMBLY	21	2	12-20942	WASHER, SEALING - WATER PUMP CARTRIDGE	23	17
10-79953	SCREW, GREASE FILLER HOLE	23	30	12-20959	WASHER, PROPELLER NUT	23	34
10-87374	SCREW, CONNECTING ROD	13	15	12-22248	WASHER, CLAMP BRACKET STUD	17	12
11-20061	NUT, CONNECTING ROD SCREW	13	17	12-22887	WASHER, CABLE PULLEY SCREW	3	19
11-20110	NUT, COIL COVER SCREW	5	31	12-24676	WASHER, BRACKET SCREW	5	23
11-20110	NUT, TIMING ARM	5	20	12-24676	WASHER, THROTTLE ARM	9	13
11-20166	NUT, SHEAVE SHAFT (LEFT HAND THREAD)	3	22	12-34680	WASHER, THROTTLE ARM	9	13
11-20184	NUT, COWL CATCH TO TOP COWL	3	11	12-35559	WASHER, CHOKE CABLE SCREW	9	25
11-20190	NUT, ARM TO TRIGGER	5	17	12-36245	WASHER, SHEAVE SHAFT RETAINER	3	33
11-20190	NUT, CLAMPING PLATE	15	25	12-39143	WASHER, FLYWHEEL NUT	5	2
11-20361	NUT, POWERHEAD STUDS	19	16	12-39143	WASHER, BRACKET TO COWL	15	26
11-20696	NUT, CLAMP BRACKET TO SWIVEL BRACKET STUD	17	13	12-39167	WASHER, POWERHEAD STUDS	19	15
11-20696	NUT, FLYWHEEL	5	3	12-39167	WASHER, POWERHEAD STUDS	19	15
11-20958	PROPELLER NUT	23	35	12-56681	WASHER, POWERHEAD ATTACHING SCREW	5	26
11-22053	NUT, CLAMP BRACKET STUD	21	9	12-65567	WASHER, TOP COWL CATCH (UPPER)	3	10
11-24652	NUT, CARBURETOR ATTACHING	9	2	12-65967	WASHER, NEEDLE BEARING RETAINING	13	18
11-26768	NUT, THROTTLE ARM	9	14	12-73719	WASHER, THUMB SCREW	21	3
11-34863	NUT, GEAR HOUSING STUD	23	32	12-79960	WASHER, FELT	13	4
11-34932	NUT, GEAR HOUSING STUDS	23	32	12-98500	WASHER, TOP COWL CATCH (LOWER)	3	8
11-35814	NUT, POWERHEAD STUDS	19	16	13-20160	WASHER, WAVE-RETAINER TENSION	3	34
11-35814	NUT, STEERING BAR SCREW	19	3	13-26992	LOCKWASHER, CLAMP PLATE MOUNTING SCREW	17	6
11-35888	NUT, BRACKET TO COWL	15	27				
11-36069	NUT, TILT STOP LEVER SCREW	21	13				

PARTS INDEX

Part Number	Description	Pg.	Ref. No.	Part Number	Description	Pg.	Ref. No.
13-26993	LOCKWASHER, CLAMP			22-99664	ELBOW, CYLINDER COVER	11	20
	BACKET STUD	21	8	23-28912	BUSHING, STARTER		
13-26996	LOCKWASHER, BRACKET				SPRING GUIDE	3	25
	SCREW	5	22	23-28919	BUSHING, NYLON-SHEAVE		
13-31030	WASHER, WAVE - TILT				SHAFT SPACER	3	30
	STOP LEVER SCREW . . .	21	12	23-29669	BUSHING, UPPER	19	5
13-36206	WASHER, WAVE-STARTER			23-29670	BUSHING, LOWER	19	6
	PAWL	3	28	23-30977	SPACER, CABLE PULLEY . .	3	20
13-69845	LOCKWASHER, STOP			23-59621	SPACER, CLAMP BRACKET		
	SWITCH	15	21		STUD	21	7
14-20165	TAB WASHER, SHEAVE			23-61005	SPACER, SHEAVE SHAFT . .	3	31
	SHAFT NUT	3	21	23-68470	BUSHING	5	16
14-78102	TAB WASHER, UPPER			23-86214	BEARING, NYLON - WATER		
	BEARING HOUSING				OUTLET TUBE	15	10
	SCREW	11	15	23-96973	BUSHING, THROTTLE		
15-20695	SHIM, CLAMP BRACKET TO				SHAFT - LOWER	9	18
	SWIVEL BRACKET (.010) .	17	7	23-96974	BUSHING, THROTTLE		
15-20919A1	SHIM, BALL BEARING TO				SHAFT - UPPER	9	15
	GEAR HOUSING	23	6	23-F78544	BUSHING, CLAMP BRACKET		
15-20939A1	SHIM, BALL BEARING TO				STUD	17	14
	SNAP RING	23	14	24-20229	SPRING, CO-PILOT TO		
15-20941A1	SHIM, BALL BEARING TO				DRIVE SHAFT HOUSING . .	19	12
	GEAR HOUSING	23	16	24-23067	SPRING, ADAPTOR STEM . .	9	9
15-31412A1	SHIM, UPPER HOUSING TO			24-29340A1	SPRING, STARTER REWIND	3	24
	CYLINDER BLOCK (.002-3-			24-78810	SPRING, CABLE TO ARM		
	5-10)	11	8		LATCH	15	13
16-20313	STUD, GEAR HOUSING			24-79351	SPRING, COMPRESSION-		
	(LONG)	23	3		COWL CATCH	3	9
16-21015	STUD, ADAPTOR (1-1/2") . .	15	29	25-20415	"O" RING, ADAPTOR STEM . .	9	8
16-52606	STUD, GEAR HOUSING			25-20812	SEAL, RUBBER - WATER		
	(LONG)	23	2	25-20863	PUMP CARTRIDGE	23	18
16-59620	STUD, CLAMP BRACKET (8")	21	6		"O" RING, UPPER BEARING		
16-66021	STUD, ADAPTOR (1-3/8") . .	15	29	25-39086	HOUSING	11	13
16-66357	STUD, CARBURETOR				GROMMET, COWL LATCH-		
	MOUNTING	11	2	26-20070	TOP COWL	3	3
16-78582	STUD, CLAMP BRACKET TO			26-20903	OIL SEAL	23	-
	SWIVEL BRACKET	17	11	26-20903	OIL SEAL	23	-
17-20032	DOWEL PIN, MAIN BEARING	13	7		OIL SEAL, WATER PUMP		
17-20032	DOWEL PIN, MAIN BEARING				COVER	23	25
	TO BLOCK	13	10	26-36556	SEAL, RUBBER - WATER		
17-20891	SWIVEL PIN, CO-PILOT DISC	17	8		OUTLET TUBE	15	11
17-20937	PIN, PROPELLER GEAR TO			26-66301	OIL SEAL, CRANKCASE		
	SHAFT	23	12		(LOWER)	11	30
17-20946	PIN, IMPELLER DRIVE	23	21	26-66301	OIL SEAL, UPPER BEARING		
17-22896	PIN, RETAINER-STARTER				HOUSING	11	12
	CABLE	3	27	27-39050	GASKET, BOTTOM COWL		
17-25971	PIN, SHEAR	23	33		TO DRIVE SHAFT		
17-56373A2	TILT LOCK PIN ASSEMBLY . .	21	5	27-41382	HOUSING	15	18
17-65855	DOWEL PIN, REED				GASKET, CYLINDER BLOCK		
	LOCATING	13	8	27-41383	COVER	11	21
17-72856	PIN, TOP COWL CATCH . . .	3	7	27-41383	GASKET, BAFFLE PLATE . .	11	26
17-85500	DOWEL PIN, CRANKCASE				GASKET, CYLINDER BLOCK		
	TO CYLINDER BLOCK . . .	11	3	27-43336	TO BAFFLE PLATE	11	24
18-21071	COTTER PIN, CO-PILOT			27-63309	GASKET, INTAKE COVER . .	11	16
	SPRING GUIDE SCREW . .	19	14		GASKET, CARBURETOR		
19-69316	CAP, SWIVEL PIN	17	10		FLANGE	7	43
19-95925	PLUG, BOTTOM COWL	15	2	27-89014A80	GASKET SET(MOTOR		
21-42863	CHECK VALVE, BLEED -				OVERHAUL)	1	-
	CRANKCASE (BOTTOM) . .	11	5	27-89937	GASKET, POWERHEAD TO		
					ADAPTOR PLATE	15	12

PARTS INDEX

Part Number	Description	Pg.	Ref. No.	Part Number	Description	Pg.	Ref. No.
28-20094	KEY, CRANKSHAFT	13	5	87-69508A11	STOP SWITCH ASSEMBLY	15	19
29-26815	NEEDLE BEARING, CRANKPIN	13	16	87-99525A1	COVER ASSEMBLY, STOP SWITCH	15	20
29-31505	NEEDLE BEARING, PISTON PIN	13	19	90-12743	OWNER'S GUIDE	1	-
29-71422	PIN, ARM LOCATING	15	15	90-13764	MERC 7.5 J PARTS LIST	1	-
30-20938	BALL BEARING, PROPELLER SHAFT	23	13	251-6105A9	FLYWHEEL ASSEMBLY	5	1
30-25728	BALL BEARING, DRIVE SHAFT	23	5	332-2854	NIPPLE, IGNITION COIL	5	34
30-72961	BALL BEARING, CRANKCASE (LOWER)	11	29	338-7283A2	TRIGGER HOUSING ASSEMBLY	5	14
30-72961	BALL BEARING, UPPER BEARING HOUSING	11	10	339-5209A3	STATOR ASSEMBLY	5	4
31-20904	ROLLER BEARING	23	24	339-5288A2	IGNITION COIL ASSEMBLY	5	28
31-20904	ROLLER BEARING, PROPELLER SHAFT	23	1	339-6119A1	COIL ASSEMBLY (5-1/2" AND 6-3/8" LEADS)	5	7
31-20908	ROLLER BEARING, DRIVE SHAFT	23	1	339-6120A1	COIL ASSEMBLY (1-3/4" AND 3-1/2" LEADS)	5	7
31-31410	ROLLER BEARING, UPPER BEARING HOUSING	11	11	339-6222A10	SWITCH BOX ASSEMBLY	5	24
32-41057	TUBE, WATER INLET	19	11	421-7271A2	CRANKSHAFT ASSEMBLY	13	1
32-99127109	FUEL LINE, ADAPTOR TO CARBURETOR	9	3	550-8122A5	MAIN BEARING ASSEMBLY (VALVE TYPE)	13	6
32-99127109	HOSE, TELLTALE	11	23	608-7395A2	CONNECTING ROD ASSEMBLY	13	14
32-99130122	HOSE, BLEED DRAIN (4")	11	4	719-7391A3	PISTON AND PISTON PIN ASSEMBLY (2 RING)	13	20
33-97186	SPARK PLUG (NGK #B9HS-10)	5	36	837-7693A2	CYLINDER BLOCK AND CRANKCASE ASSEMBLY	11	1
34-20053	REED STOP, MAIN BEARING REED VALVES	13	12	1019-7465A1	COVER ASSEMBLY, CYLINDER BLOCK	11	19
34-31942A1	REED SET, MATCHED - MAIN BEARING	13	11	1164-6413A1	BEARING HOUSING ASSEMBLY, UPPER	11	9
37-12921A86	DECAL SET	1	-	1364-8783A3	CARBURETOR ASSEMBLY	9	1
39-21665A12	PISTON RING	13	22	1364-8783A3	CARBURETOR ASSEMBLY, COMPLETE	7	1
40-21666	LOCK RING, PISTON PIN	13	21	1395-9022	INLET NEEDLE	7	13
43-29490	PINION GEAR	23	8	1395-9025	SCREW, FUEL BOWL	7	11
43-29491	GEAR, PROPELLER SHAFT	23	11	1395-9293	FLOAT	7	7
44-20923	PROPELLER SHAFT	23	10	1399-5127	FUEL BOWL	7	9
46-20905A1	WATER PUMP COVER ASSEMBLY	23	23	1399-5129	BODY, FUEL PUMP	7	22
46-20943A1	WATER PUMP CARTRIDGE ASSEMBLY	23	19	1399-5131	BODY, STRAINER	7	25
47-20945	IMPELLER, WATER PUMP	23	20	1399-5132	SCREW, STRAINER BODY	7	26
50-28985A2	STARTER CABLE ASSEMBLY	3	37	1399-5207	GASKET, STRAINER COVER	7	28
50-93696A2	STARTER SHEAVE ASSEMBLY	3	26	1399-5758	SCREEN, STRAINER	7	27
53-20940	SNAP RING	23	15	1399-7273	CHOKE SHAFT	7	32
53-72168	RING, RETAINING - ROPE GUIDE	3	14	1399-7274	CHOKE SHUTTER	7	17
53-89284	RETAINING RING, THROTTLE SHAFT	9	16	1399-7570	JET, MAIN FUEL (.040)	7	15
54-59538	CLIP, COIL RETAINING	5	8	1399-7571	THROTTLE SHAFT	7	34
54-68424	CLAMP, FUEL LINE ATTACHING	9	4	1399-8149	COVER, STRAINER (INLET)	7	29
54-85446	CLIP, COIL RETAINING	5	9	1402-134A1	SWIVEL BRACKET ASSEMBLY	17	1
84-99215A25	LEAD ASSEMBLY, HIGH TENSION	5	33	1427-5632A3	CLAMP BRACKET ASSEMBLY	21	1
85-63709A1	PROTECTOR, SPARK PLUG	5	35	1577-5153A7	DRIVE SHAFT HOUSING ASSEMBLY	19	4
86-85365	TERMINAL BLOCK, STATOR	5	10	1604-1116A2	GEAR HOUSING ASSEMBLY	23	1
				1604-1116A8	GEAR HOUSING ASSEMBLY, COMPLETE	23	-
				2159-6587A5	COWL, BOTTOM	15	1
				2160-7264A10	TOP COWL ASSEMBLY	3	1