



PARTS CATALOG

44 XS

SERIAL NUMBER

MERC 44XS B135471 AND UP

TABLE OF CONTENTS:

CARBURETOR ASSEMBLY	10
CLAMP BRACKET/SWIVEL BRACKET	24
COWLING	2
CRANKSHAFT, PISTONS AND CONNECTING RODS	20
CYLINDER BLOCK AND CRANKCASE ASSEMBLY	16
DRIVE SHAFT HOUSING	22
END CAPS AND EXHAUST COVER	18
FLYWHEEL, IGNITION COIL AND SWITCH BOX	6
FUEL PUMP	14
GEAR HOUSING	26
MISCELLANEOUS PARTS/ACCESSORIES	1
PARTS INDEX	28
STARTER REWIND	4
THROTTLE CONTROL LINKAGE	8

NOTE: *Indented description indicate that these parts are included in preceeding assembly.*

AR = As Required

NSS = Not Sold Seperate

OPT = Optional

NS = Not Shown

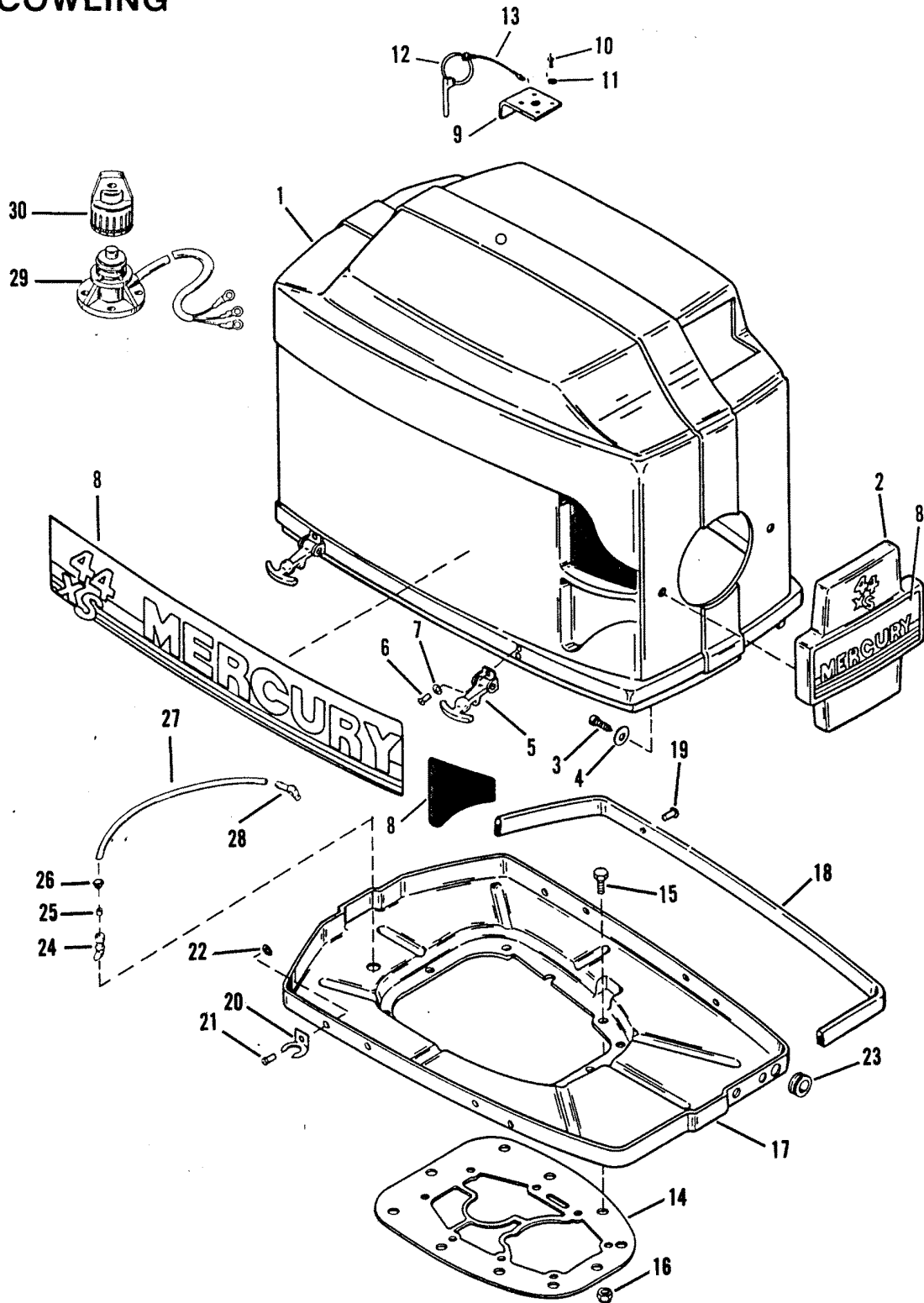
THESE PARTS BOOKS/FICHE CARD ARE COPYRIGHTED AND MAY NOT BE DISTRIBUTED OR REPRODUCED IN ANY OTHER FORMAT BY ANYONE OTHER THAN MERCURY MARINE WITHOUT THE PRIOR WRITTEN CONSENT OF MERCURY MARINE.

MISCELLANEOUS PARTS/ACCESSORIES

REF. NO.	PART NO.	SYM.	QTY.	DESCRIPTION
-	90-18174		0	44XS PARTS LIST
-	27-43777A87		0	GASKET SET
-	37-17241A87		0	DECAL SET
-	90-17018880		0	OWNER'S GUIDE

COWLING

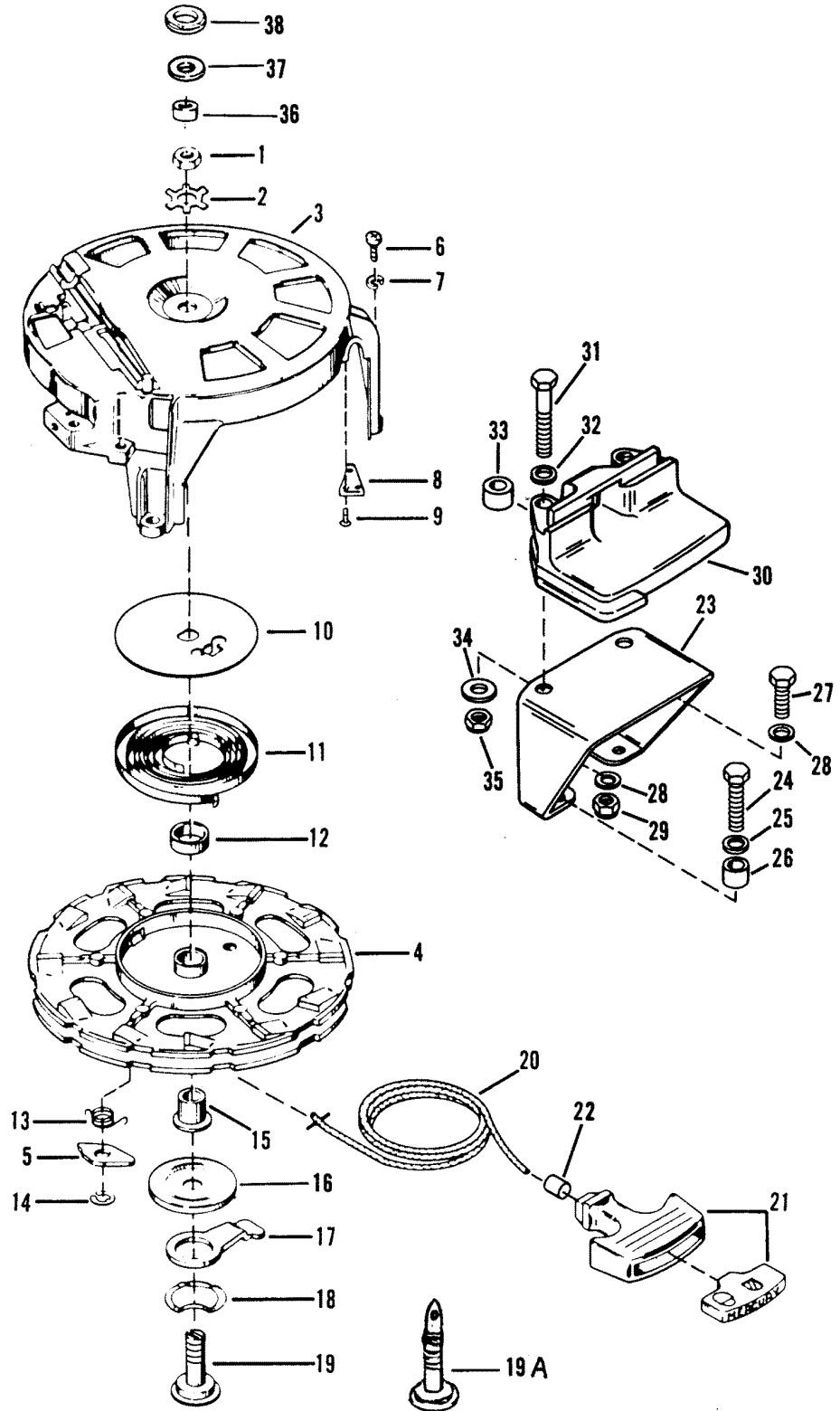
COWLING



COWLING

REF. NO.	PART NO.	SYM.	QTY.	DESCRIPTION
1	2167-9666A1		1	TOP COWL ASSEMBLY (W/O HOLD-DOWN HOLE)
	2167-9666A2		1	TOP COWL ASSEMBLY (W/O HOLD-DOWN HOLE)
2	16762		1	FRONT SHIELD
3	10-69570		4	SCREW, FRONT SHIELD
4	12-22887		4	WASHER
5	18044		4	COWL LATCH
6	17-86914		8	RIVET
7	12-57238		8	WASHER
8	37-17241A87		1	DECAL SET
9	99690		1	PLATE, COWL HOLD-DOWN -WITH HOLD-DOWN HOLE
10	17-12146		1	POP RIVET -WITH HOLD-DOWN HOLE
11	12-20128		4	WASHER -WITH HOLD-DOWN HOLE
12	99779		4	CLIP -WITH HOLD-DOWN HOLE
13	84-88807A6		1	CABLE ASSEMBLY (BLACK) -WITH HOLD-DOWN HOLE
14	16764		1	PLATE, BOTTOM COWL
15	10-64014		10	SCREW, PLATE
16	11-36069		10	NUT, PLATE SCREW
17	16763A2		1	BOTTOM COWL ASSEMBLY
18	68413--6		5	TRIM MOULDING
19	17-12147		8	RIVET
20	18044		4	COWL LATCH
21	17-86914		4	RIVET
22	12-57238		4	WASHER
23	25-56291		1	GROMMET, BOTTOM COWL
24	69791		1	NOZZLE, TELL TALE HOSE TO BOTTOM COWL
25	23-90882		1	SLEEVE, TELL TALE NOZZLE
26	54-90077		2	CLAMP, TELL TALE NOZZLE
27	32-99127109		1	HOSE, TELL TALE HOSE TO BOTTOM COWL (14')
28	22-78279		1	ELBOW, TELL TALE HOSE - CYLINDER BLOCK
29	65503A4		1	EMERGENCY STOP SWITCH ASSEMBLY
30	75095A2		1	CAP ASSEMBLY, STOP SWITCH

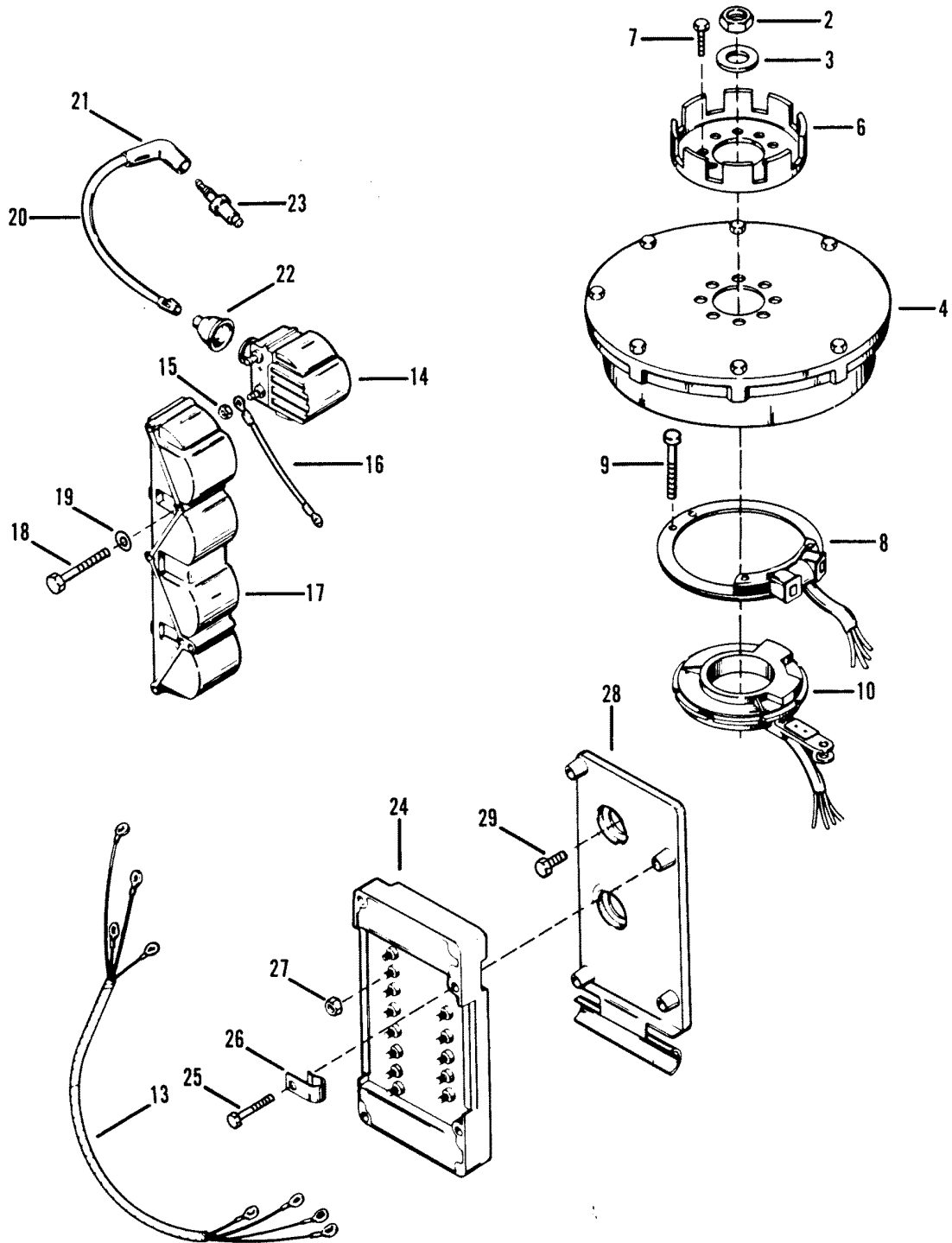
STARTER REWIND



STARTER REWIND

REF. NO.	PART NO.	SYM.	QTY.	DESCRIPTION
1	11-20166		1	NUT, SHEAVE SHAFT(LEFT HAND THREAD)
2	14-61004		1	TAB WASHER, SHEAVE SHAFT NUT
3	89016--2		1	STARTER HOUSING
4	50-44255A1		1	STARTER SHEAVE
5	44508		1	STARTER PAWL
6	10-54523		3	SCREW, STARTER HOUSING
7	13-20202		3	LOCKWASHER, STARTER HOUSING SCREW
8	37691		1	PLATE, CABLE GUIDE
9	10-35881		3	SCREW, DRIVE-CABLE GUIDE PLATE
10	61002		1	PLATE, STARTER REWIND
11	24-39502A1		1	SPRING, STARTER REWIND
12	23-87649		1	BUSHING, SPRING GUIDE
13	24-87651		1	SPRING, STARTER PAWL
14	53-87706		1	E-RING, STARTER PAWL
15	23-63061		1	SPACER, SHEAVE SHAFT
16	12-35559		1	WASHER, STARTER REWIND
17	94962		1	LEVER
18	13-20160		1	WAVE WASHER
19	87656		1	SHEAVE SHAFT (WITHOUT HOLE)
19A	19059		1	SHEAVE SHAFT (WITH HOLE)
20	50-12066A9		1	STARTER ROPE ASSEMBLY
21	85174A1		1	HANDLE AND RETAINER ASSEMBLY
22	23-17433		1	SPACER, STARTER ROPE
23	16681		1	BRACKET
24	10-69267		1	SCREW
25	12-12038		1	WASHER
26	23-16680		1	SPACER
27	10-22476		1	SCREW
28	12-35462		2	WASHER
29	11-36069		1	NUT
30	19682		1	REST, STARTER HANDLE
31	10-69067		2	SCREW
32	12-20546		2	WASHER
33	23-16679		2	SPACER
34	12-12038		2	WASHER
35	11-45592		2	NUT
36	23-19060		1	SPACER WITH HOLD-DOWN HOLE
37	12-99456		1	WASHER WITH HOLD-DOWN HOLE
38	23-99509		1	SPACER WITH HOLD-DOWN HOLE

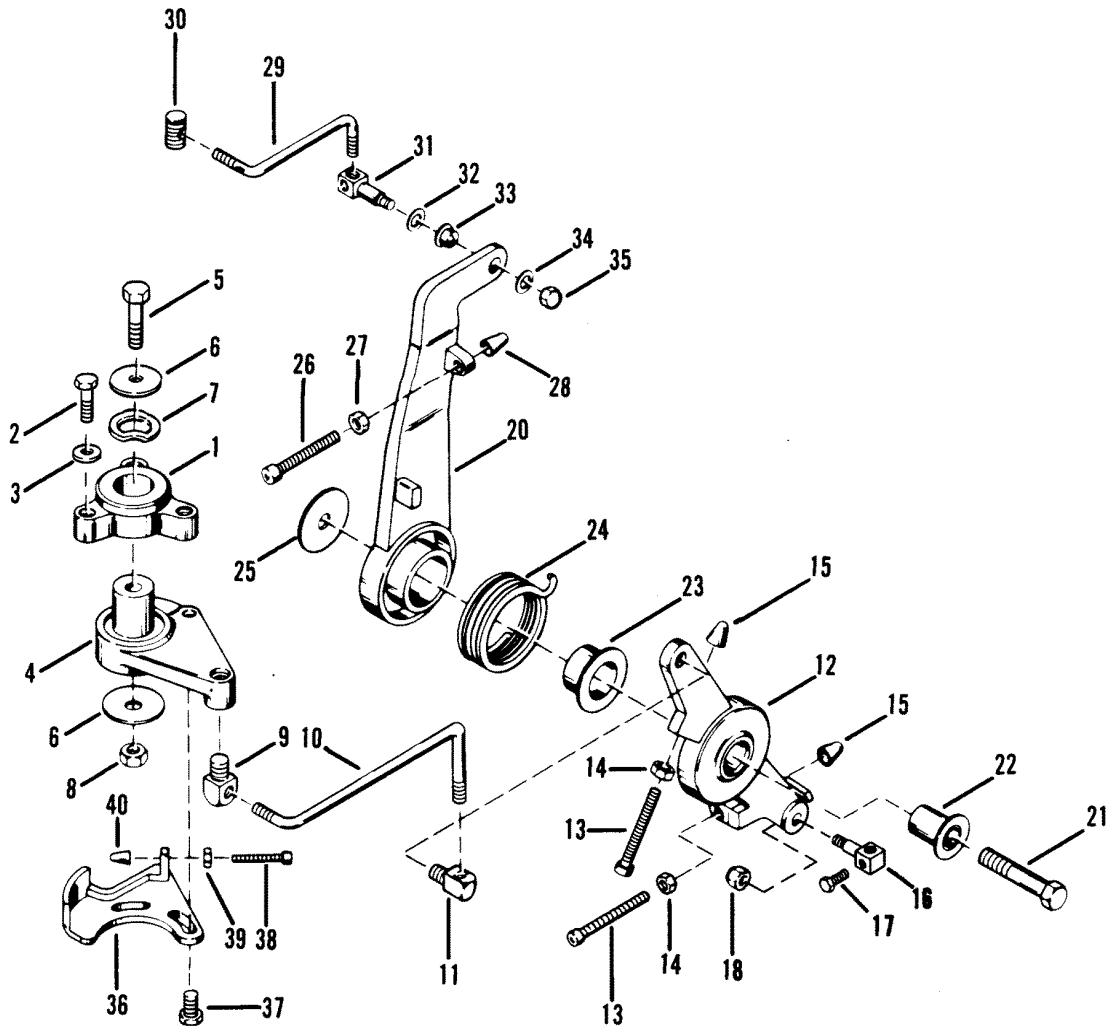
FLYWHEEL, IGNITION COIL AND SWITCH BOX



FLYWHEEL, IGNITION COIL AND SWITCH BOX

REF. NO.	PART NO.	SYM.	QTY.	DESCRIPTION
2	11-22339		1	NUT, FLYWHEEL
3	12-68229		1	WASHER, FLYWHEEL NUT
4	249-6080A27		1	FLYWHEEL ASSEMBLY
6	50-88755		1	RATCHET, FLYWHEEL
7	10-68997		8	SCREW, RATCHET TO FLYWHEEL
8	398-5454A56		1	STATOR
9	10-75840		4	SCREW, STATOR TO UPPER END CAP (7/8")
10	96452A1		1	TRIGGER ASSEMBLY
13	84-88721A1		1	HARNESS, SWITCH BOX TO IGNITION COIL
14	339-7370A13		4	IGNITION COIL ASSEMBLY
15	11-45076		8	NUT, IGNITION COIL TERMINALS
16	84-60466A19		4	GROUND WIRE, COIL TO SWITCH BOX
17	87554		1	COVER, IGNITION COIL
18	10-88856		5	SCREW, COIL COVER (10-32 X 2")
19	12-30164		5	WASHER, COIL COVER SCREW
20	84-99215A25		4	LEAD ASSEMBLY, SPARK PLUG
21	85-63709A1		4	PROTECTOR ASSEMBLY
22	332-2854		4	BOOT, IGNITION COIL
23	33-97182		4	SPARK PLUG (NGK #BUHW-2)
24	332-5772A2		1	SWITCH BOX ASSEMBLY
25	10-20619		4	SCREW, SWITCH BOX AND "J" CLIP TO PLATE (1-3/8")
26	54-64235--1		1	"J" CLIP, SWITCH BOX LEADS
27	11-45076		13	NUT, SWITCH BOX TERMINALS
28	88322		1	PLATE, SWITCH BOX
29	10-28635		2	SCREW, SWITCH BOX PLATE TO CYLINDER BLOCK

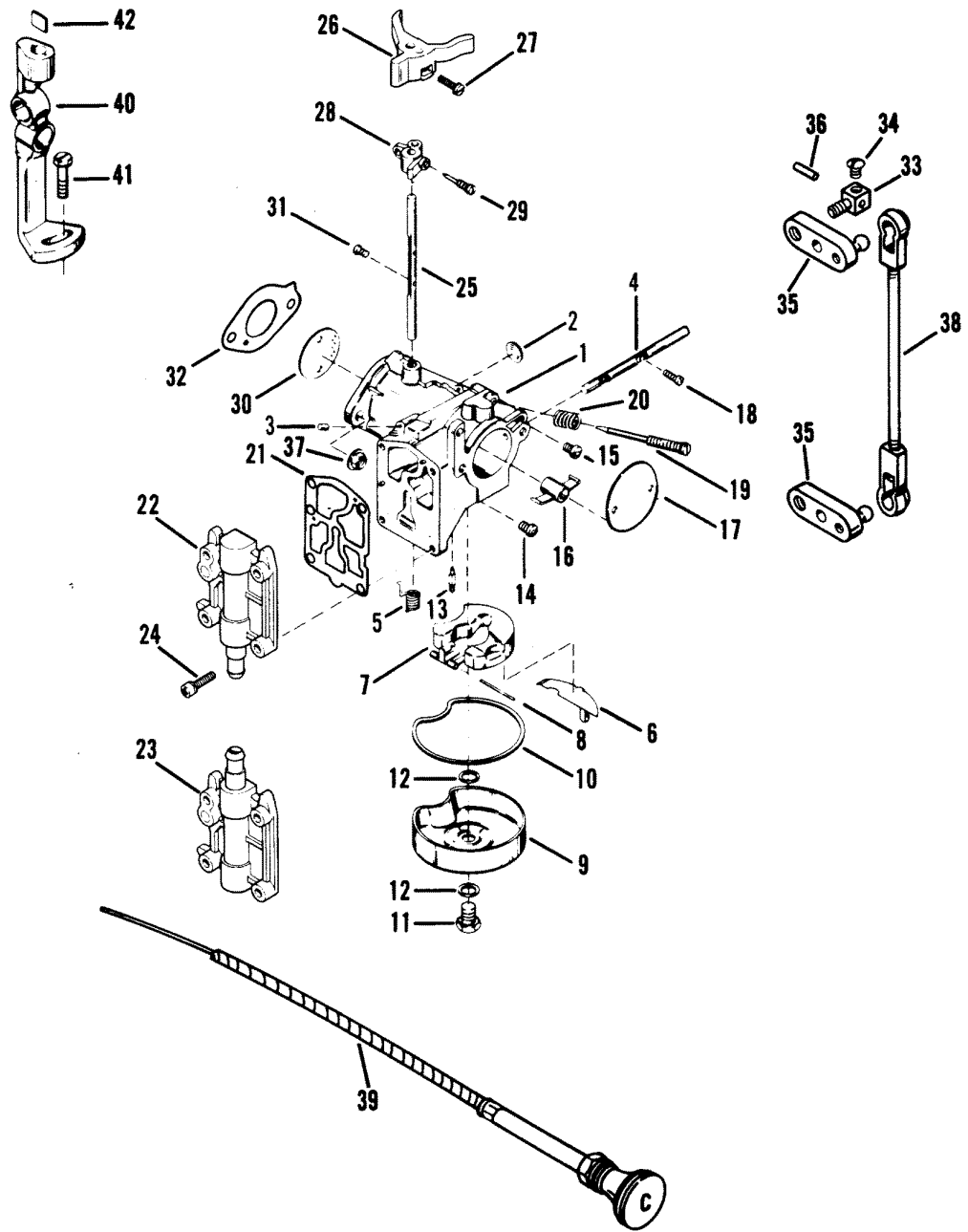
THROTTLE CONTROL LINKAGE



THROTTLE CONTROL LINKAGE

REF. NO.	PART NO.	SYM.	QTY.	DESCRIPTION
1	72040		1	BRACKET, THROTTLE ACTUATOR
2	10-53576		3	SCREW, THROTTLE ACTUATOR BRACKET (1-1/8")
3	13-26993		3	LOCKWASHER, THROTTLE ACTUATOR BRACKET SCREW
4	72032		1	ACTUATOR, THROTTLE
5	10-21449		1	SCREW, BRACKET TO THROTTLE ACTUATOR (2")
6	12-25893		2	WASHER, BRACKET SCREW
7	13-62172		1	WAVE WASHER, BRACKET SCREW
8	11-29250		1	NUT, BRACKET SCREW
9	57440		1	SWIVEL, LINK ROD TO THROTTLE ACTUATOR
10	72043		1	LINK ROD
11	57440		1	SWIVEL, LINK ROD TO THROTTLE ARM
12	17652		1	ARM, THROTTLE
13	10-55903		1	SCREW, ADJUSTING - THROTTLE ARM (2-1/4")
	10-25158		1	SCREW, ADJUSTING - THROTTLE ARM (1-3/4")
14	11-68219		2	NUT, ADJUSTING SCREW
15	48039		2	CAP, ADJUSTING SCREW
16	16931		1	SWIVEL
17	10-68513		1	SCREW
18	11-29598		1	NUT, SWIVEL
20	76559A1		1	LEVER, SPARK ADVANCE
21	10-55337		1	SCREW, LEVER AND ARM TO CYLINDER BLOCK (1-3/4")
22	23-55164		1	BUSHING, LEVER AND ARM SCREW
23	23-55171		1	BUSHING, LEVER AND ARM SCREW
24	24-55162		1	SPRING, RETURN - SPARK ADVANCE LEVER
25	12-68410		1	WASHER, LEVER AND ARM SCREW
26	10-25158		1	SCREW, ADJUSTING - SPARK ADVANCE LEVER (1-3/4")
27	11-68219		1	NUT, ADJUSTING SCREW
28	48039		1	CAP, ADJUSTING SCREW
29	76056		1	LINK ROD, SPARK ADVANCE (2-1/2")
30	74897		1	PIVOT, THREADED - LINK ROD TO TRIGGER
31	77013A1		1	SWIVEL, LINK ROD TO SPARK ADVANCE LEVER
32	13-29402		1	WAVE WASHER, SWIVEL
33	23-26856		1	BUSHING, LINK ROD SWIVEL
34	12-33786		1	WASHER, LINK ROD SWIVEL
35	11-45774		1	NUT, LINK ROD SWIVEL
36	66778		1	PLATE, THROTTLE ACTUATOR
37	10-46420		2	SCREW, PLATE TO THROTTLE ACTUATOR (1/2")
38	10-69011		1	SCREW, ADJUSTING - PLATE (1")
39	11-68219		1	NUT, ADJUSTING SCREW
40	48039		1	CAP, ADJUSTING SCREW

CARBURETOR ASSEMBLY

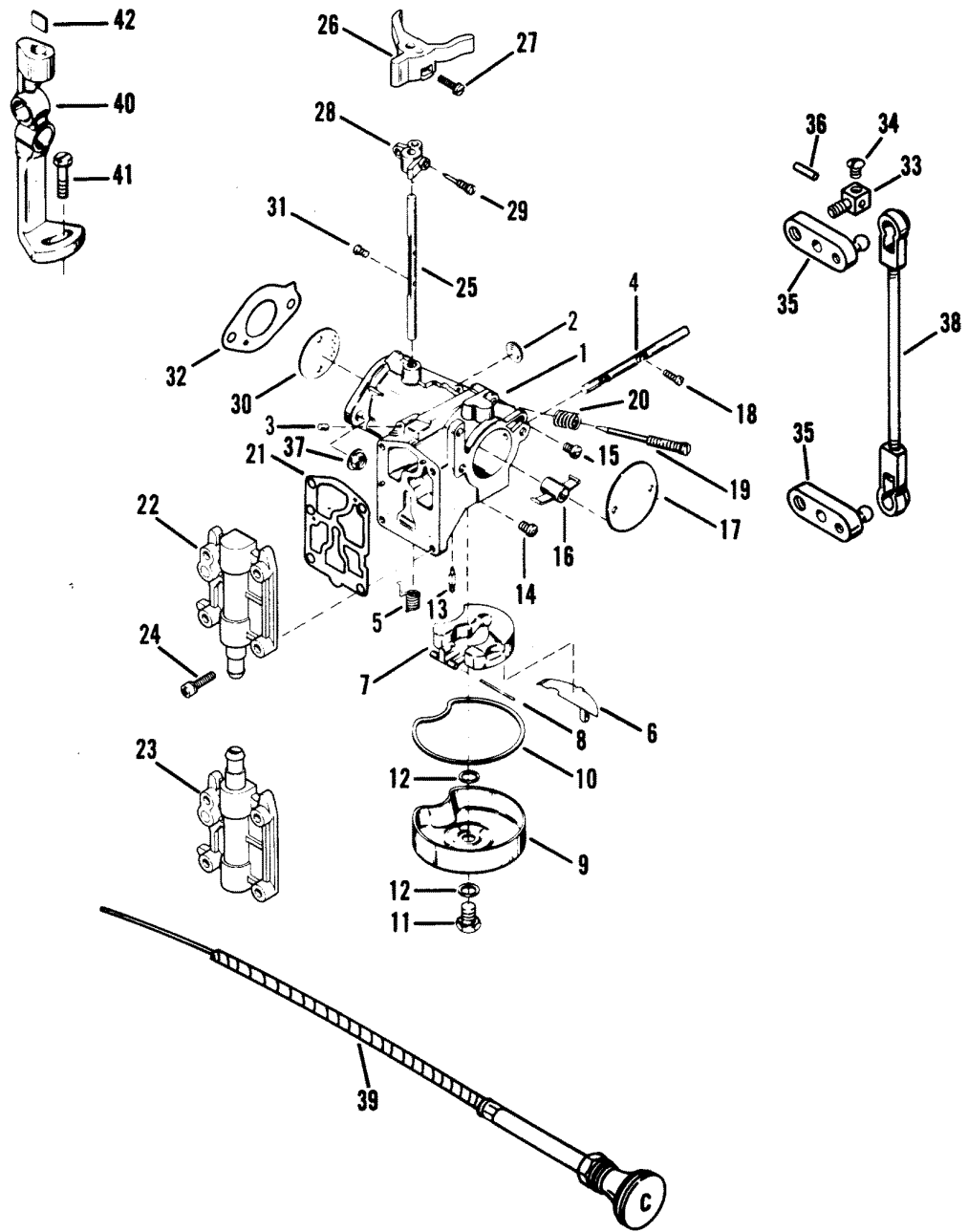


CARBURETOR ASSEMBLY

REF. NO.	PART NO.	SYM.	QTY.	DESCRIPTION
1	1367-6517A39		1	CARBURETOR ASSEMBLY (UPPER)
	1367-6517A40		1	CARBURETOR ASSEMBLY(LOWER)
2			2	WELCH PLUG,BODY CHANNEL (LARGE)
3			6	PLUG,BODY CHANNEL
4	96773A1		2	CHOKE SHAFT
5			2	SPRING, RETURN-THROTTLE SHAFT
6	1399-7211A1		2	BAFFLE, FUEL BOWL
7	1395-9293		2	FLOAT
8			2	PIN,FLOAT RETAINING
9	1399-5127		2	FUEL BOWL
10			2	GASKET,FUEL BOWL
11	1395-9652		2	SCREW,FUEL BOWL TO CARBURETOR
12			4	GASKET,FUEL BOWL SCREW
13	1395-9022		2	INLET NEEDLE AND SPRING
14	1399-1457		2	JET,MAIN FUEL(.057)
15	1395-7335		2	JET,ECONOMIZER(.098)
16	64677		2	VENTURI
17	1399-8665		2	CHOKE SHUTTER
18			4	SCREW,CHOKE SHUTTER TO CHOKE SHAFT
19			2	SCREW,IDLE MIXTURE
20			2	SPRING,IDLE MIXTURE SCREW
21			2	GASKET,FUEL PUMP
22	1395-9653		1	COVER,PLATE (UPPER CARBURETOR)
23	1395-9654		1	COVER,PLATE(LOWER CARBURETOR)
24	1399-5132		8	SCREW,STRAINER BODY TO CARBURETOR
25	1395-9020		1	THROTTLE SHAFT(UPPER CARBURETOR)
	1395-9656		1	THROTTLE SHAFT(LOWER CARBURETOR)
26	92880		1	LEVER,THROTTLE(UPPER CARBURETOR)
27	10-20847		2	SCREW,THROTTLE LEVER(UPPER CARBURETOR)
28	1399-97		1	LEVER,THROTTLE(LOWER CARBURETOR)
29	1395-6027		1	SCREW,THROTTLE LEVER(LOWER CARBURETOR)
30	1395-9700		2	THROTTLE SHUTTER
31			4	SCREW,THROTTLE SHUTTER TO THROTTLE SHAFT
32	27-75791		2	GASKET,CARBURETOR FLANGE
33	16677		1	SWIVEL
34	10-28653		1	SCREW,SWIVEL
35	16678		2	CHOKE LEVER
36	17-69745		2	ROLL PIN
-	1395-9650		2	REPAIR PARTS KIT
-	1395-9651		2	GASKET SET
37	11-64809		4	NUT,CARBURETOR MOUNTING STUD

CONTINUED ON NEXT PAGE ➡

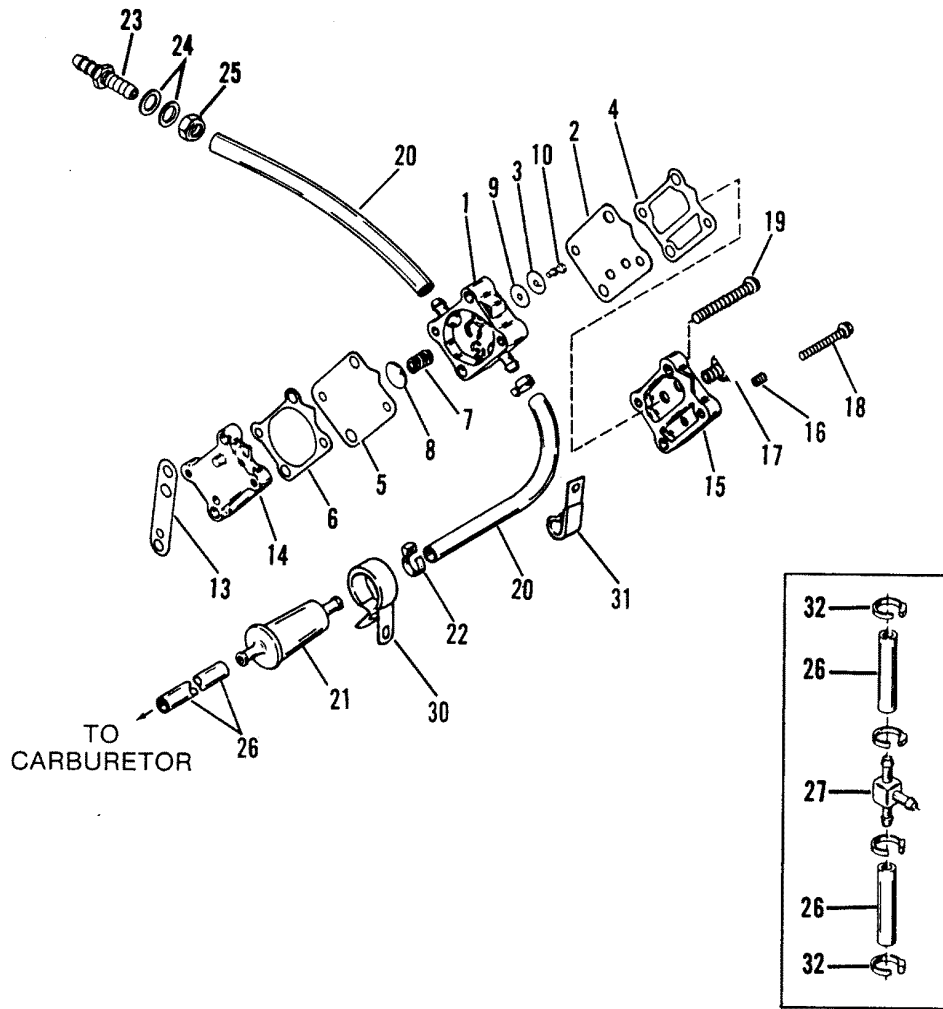
CARBURETOR ASSEMBLY



CARBURETOR ASSEMBLY

REF. NO.	PART NO.	SYM.	QTY.	DESCRIPTION
38	96255-14		1	THROTTLE LINK
39	16676		1	CHOKE CABLE
40	53719A2		1	PICK-UP BRACKET ASSEMBLY
41	10-66104		1	SCREW,PICK-UP BRACKET
42	28-89694		1	KEY,COUPLING

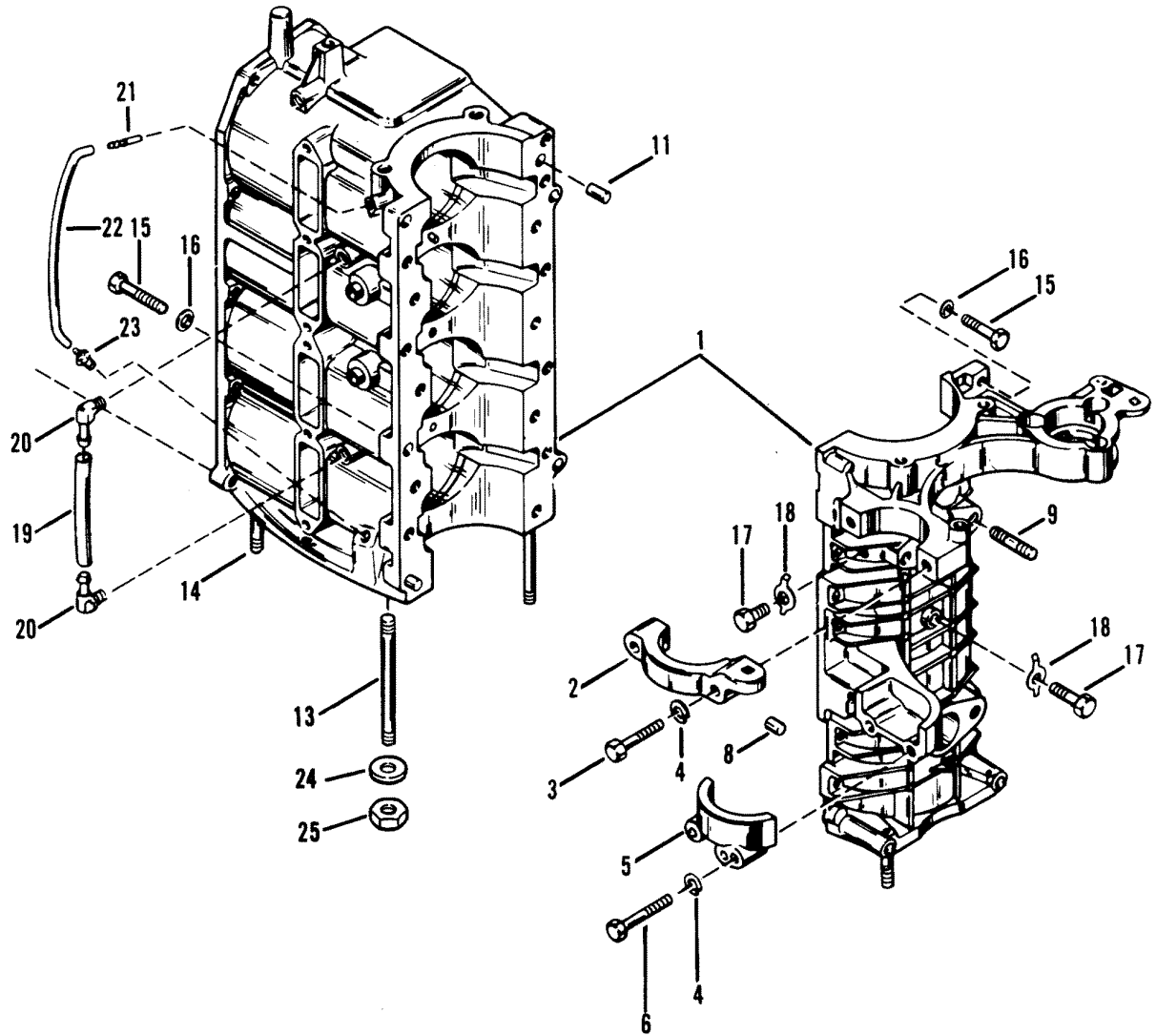
FUEL PUMP



FUEL PUMP

REF. NO.	PART NO.	SYM.	QTY.	DESCRIPTION
1	14360A24		1	FUEL PUMP ASSEMBLY
2	21-42990A2		1	DIAPHRAGM KIT
3			2	CHECK VALVE,RUBBER
4			1	GASKET,BOOST
5			2	DIAPHRAGM
6			1	GASKET,PULSE
7			1	SPRING
8			1	CAP
9			2	DISC,RUBBER
10			2	RETAINER
13	27-98769		1	GASKET,BASE
14	14430--3		1	BASE,FUEL PUMP
15	98775A2		1	PLATE,FUEL PUMP
16	22-56800		1	PIPE PLUG
17	22-39072		1	PIPE PLUG
18	10-40003-10		2	SCREW,FUEL PUMP
19	10-16452		2	SCREW,FUEL PUMP TO CRANKCASE
20	32-99129-76		3	TUBING
21	35-16494		1	FUEL FILTER
22	54-90077		AR	STA-STRAP,FUEL TUBING
23	22-16675		1	FITTING
24	12-91964		2	WASHER
25	11-35053		1	NUT
26	32-99127109		3	FUEL LINE,CARBURETOR TO TEE TO CARBURETOR(2")
27	22-72218		1	TEE,FUEL LINE
28	54-63300--1		1	CLAMP,FUEL FILTER
29	54-55098		1	CLAMP,FUEL LINE
30	54-90077		AR	STA-STRAP,FUEL LINE

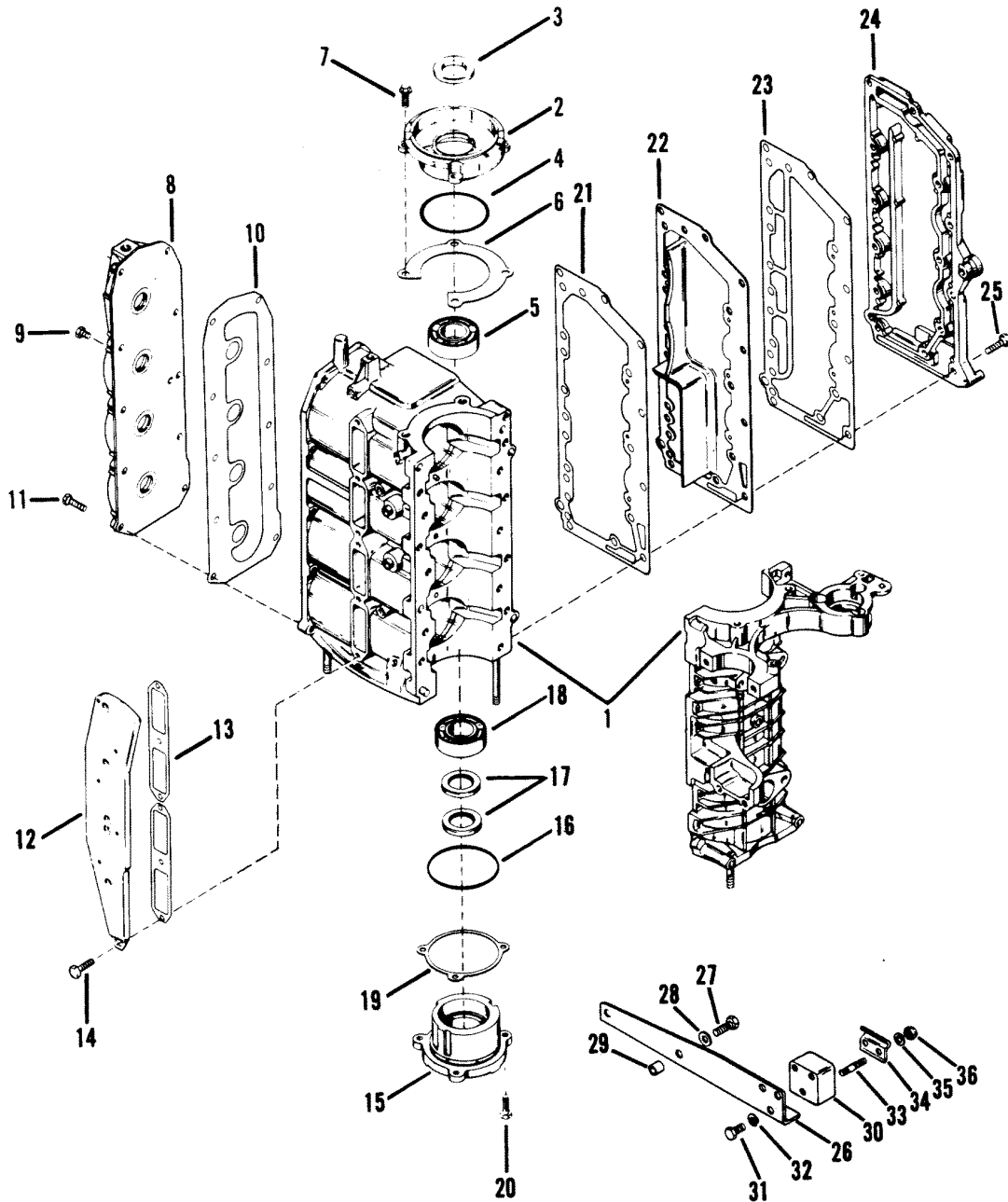
CYLINDER BLOCK AND CRANKCASE ASSEMBLY



CYLINDER BLOCK AND CRANKCASE ASSEMBLY

REF. NO.	PART NO.	SYM.	QTY.	DESCRIPTION
1	863-8981A11		1	CYLINDER BLOCK/CRANKCASE ASSEMBLY
2	72038		1	BRACKET, STARTER MOTOR (UPPER)
3	10-73279		2	SCREW, BRACKET TO CRANKCASE (1-7/8")
4	13-26993		4	LOCKWASHER, BRACKET SCREW
5	76867		1	COVER, STARTER MOTOR (LOWER)
6	10-73279		2	SCREW, COVER TO CRANKCASE (1-7/8")
8	17-20032		2	DOWELPIN, CYLINDER BLOCK TO MAIN BEARING
9	16-68164		4	STUD, CARBURATOR (1-1/4")
11	17-20033		2	DOWELPIN, CRANKCASE TO CYLINDER BLOCK
13	16-68166		6	STUD, CYLINDER BLOCK TO DRIVE SHAFT HOUSING (2-1/8")
14	16-69058		2	STUD, CYLINDER BLOCK TO DRIVE SHAFT HOUSING
15	10-73657		13	SCREW, CRANKCASE TO CYLINDER BLOCK (1-1/2")
	10-31984		3	SCREW, CRANKCASE TO CYLINDER BLOCK (1-3/8")
	10-73275		2	SREW,CRANKCASE TO CYLINDER BLOCK (2-7/8")
16	12-70132		17	WASHER, CRANKCASE SCREW
17	10-20359		1	SCREW, CENTER MAIN BEARING LOCKING (1")
	10-98260		2	SCREW, MAIN BEARING LOCKING (5/8")
18	14-20091		3	TAB WASHER, CENTER BEARING LOCKING SCREW
19	32-99127109		1	TUBE, BALANCE-MAIN BEARING (5-1/2")
20	22-99664		2	ELBOW, BALANCE TUBE TO CYLINDER BLOCK
21	22-65857		1	CONNECTOR, BLEED HOSE (UPPER)
22	32-99387-79		1	HOSE, CHLINDER BLEED (11")
23	21-42867		1	CHECK VALVE, BLEED HOSE (LOWER)
24	12-12038		8	WASHER, POWERHEAD STUDS
25	11-35814		8	NUT, POWERHEAD STUDS

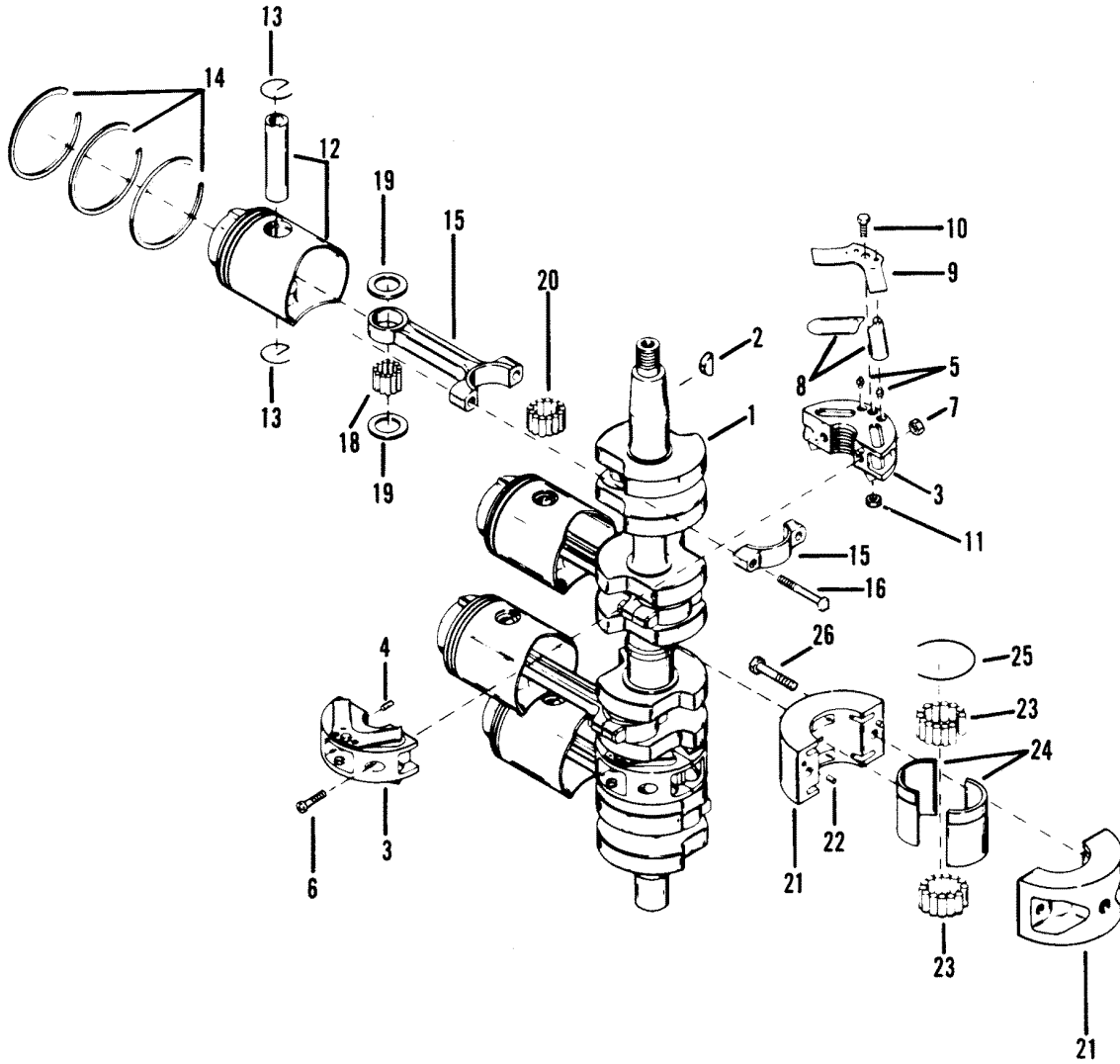
END CAPS AND EXHAUST COVER



END CAPS AND EXHAUST COVER

REF. NO.	PART NO.	SYM.	QTY.	DESCRIPTION
1	863-8981A11		1	CYLINDER BLOCK/CRANKCASE ASSEMBLY
2	1160-5826A2		1	END CAP ASSEMBLY, UPPER
3	26-41953		1	OIL SEAL, UPPER END CAP
4	25-20081		1	O-RING, UPPER END CAP
5	30-63742		1	BALL BEARING, UPPER END CAP
6	15-72538A1		AR	SHIM, UPPER END CAP (.005-10)
7	10-73274		4	SCREW, UPPER END CAP (3/4")
8	1017-8360A1		1	COVER ASSEMBLY, CYLINDER BLOCK
9	22-32802		1	PIPE PLUG, CYLINDER BLOCK COVER
10	27-43777		1	GASKET, CYLINDER BLOCK COVER
11	10-28668		10	SCREW, CYLINDER BLOCK COVER(1")
12	87553A1		1	COVER ASSEMBLY, TRANSFER PORT
13	27-27936		2	GASKET, TRANSFER PORT COVER
14	10-31716		6	SCREW, TRANSFER PORT COVER (5/8")
15	1158-6635A1		1	END CAP ASSEMBLY, LOWER
16	25-20081		1	O-RING, LOWER END CAP
17	26-41953		2	OIL SEAL, LOWER END CAP
18	30-63742		1	BALL BEARING, LOWER END CAP
19	15-20085A1		AR	SHIM, LOWER END CAP (.005-10)
20	10-29256		3	SCREW, LOWER END CAP (7/8")
21	27-85491--1		1	GASKET, CYLINDER BLOCK TO BAFFLE PLATE
22	90421		1	PLATE, BAFFLE-EXHAUST MANIFOLD
23	27-85492--1		1	GASKET, BAFFLE PLATE TO EXHAUST COVER
24	77381		1	COVER, EXHAUST MANIFOLD
25	10-37562		12	SCREW, MANIFOLD COVER TO CYLINDER BLOCK (1")
	10-38837		1	SCREW, MANIFOLD COVER TO CYLINDER BLOCK (1-1/8")
26	16682		1	BRACKET, THROTTLE CABLE
27	10-55511		2	SCREW
28	12-12038		2	WASHER
29	23-16680		2	SPACER
30	16683		1	MOUNTING PLATE
31	10-73286		3	SCREW, PLATE TO BRACKET
32	13-26992		3	LOCKWASHER, PLATE SCREW
33	16-21085		2	STUD
34	25788		1	PLATE
35	12-38833		2	WASHER
36	11-34059		2	NUT

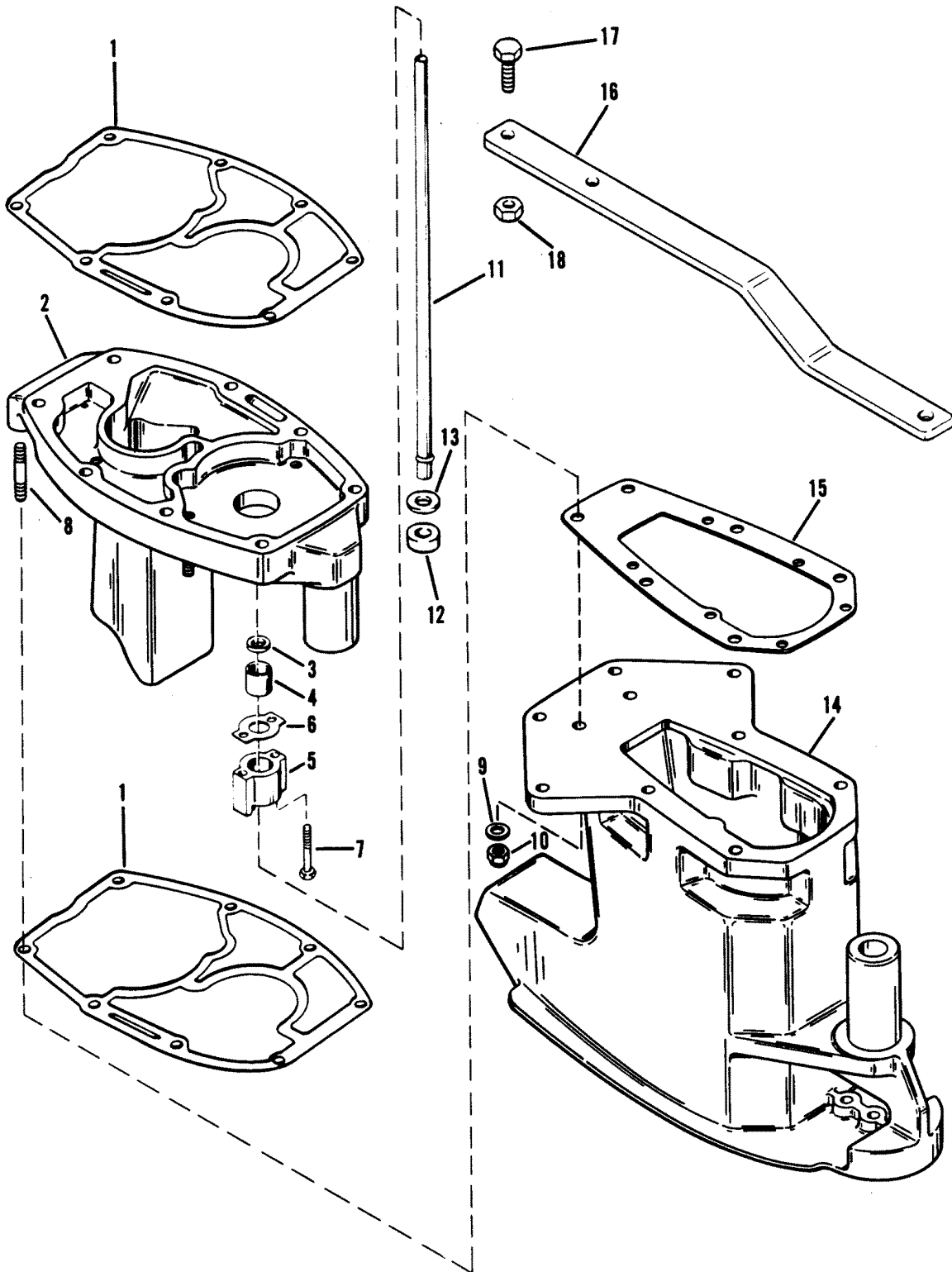
CRANKSHAFT, PISTONS AND CONNECTING RODS



CRANKSHAFT, PISTONS AND CONNECTING RODS

REF. NO.	PART NO.	SYM.	QTY.	DESCRIPTION
1	459-9075		1	CRANKSHAFT
2	28-20094		1	KEY, CRANKSHAFT
3	534-3267A25		2	MAIN BEARING ASSEMBLY (VALVE TYPE)
4	17-20032		4	DOWEL PIN, MAIN BEARING
5	17-65855		16	DOWEL PIN, REED LOCATING
6	10-45775		4	SCREW, MAIN BEARING (9/16")
7	11-45774		4	NUT, MAIN BEARING SCREW
8	34-16684A1		2	REED SET, MATCHED
9	34-79014		8	REED STOP
10	10-77280		8	SCREW, REED STOP (9/16")
11	11-20110		8	NUT, REED STOP SCREW
12	743-5172A6		4	PISTON AND PISTON PIN ASSEMBLY (STANDARD)
	743-3366A2		AR	PISTON AND PISTON PIN ASSEMBLY (.015 O.S.)
	743-7716A2		AR	PISTON AND PISTON PIN ASSEMBLY (.030 O.S.)
13	40-47276		8	LOCK RING, PISTON PIN
14	39-27841A12		1	PISTON RING (STANDARD)
	39-28616A12		AR	PISTON RING (.015 O.S.)
	39-89822A12		AR	PISTON RING (.030 O.S.)
15	632-7621A3		4	CONNECTING ROD AND CAP ASSEMBLY
16	10-91012		8	SCREW, CAP TO ROD
18	29-20063		108	NEEDLE BEARING, PISTON PIN
19	12-47275		8	WASHER, NEEDLE LOCATING
20	29-20046T		100	NEEDLE BEARING, CRANKPIN
21	547-7060A2		1	CENTER MAIN BEARING ASSEMBLY
22	17-20032		2	DOWEL PIN, CENTER MAIN BEARING
23	29-71422		56	NEEDLE BEARING
24	26113		1	RACE, OUTER
25	53-26933		1	SNAP RING, OUTER RACE
26	10-76630		2	SCREW, CENTER MAIN BEARING (1")

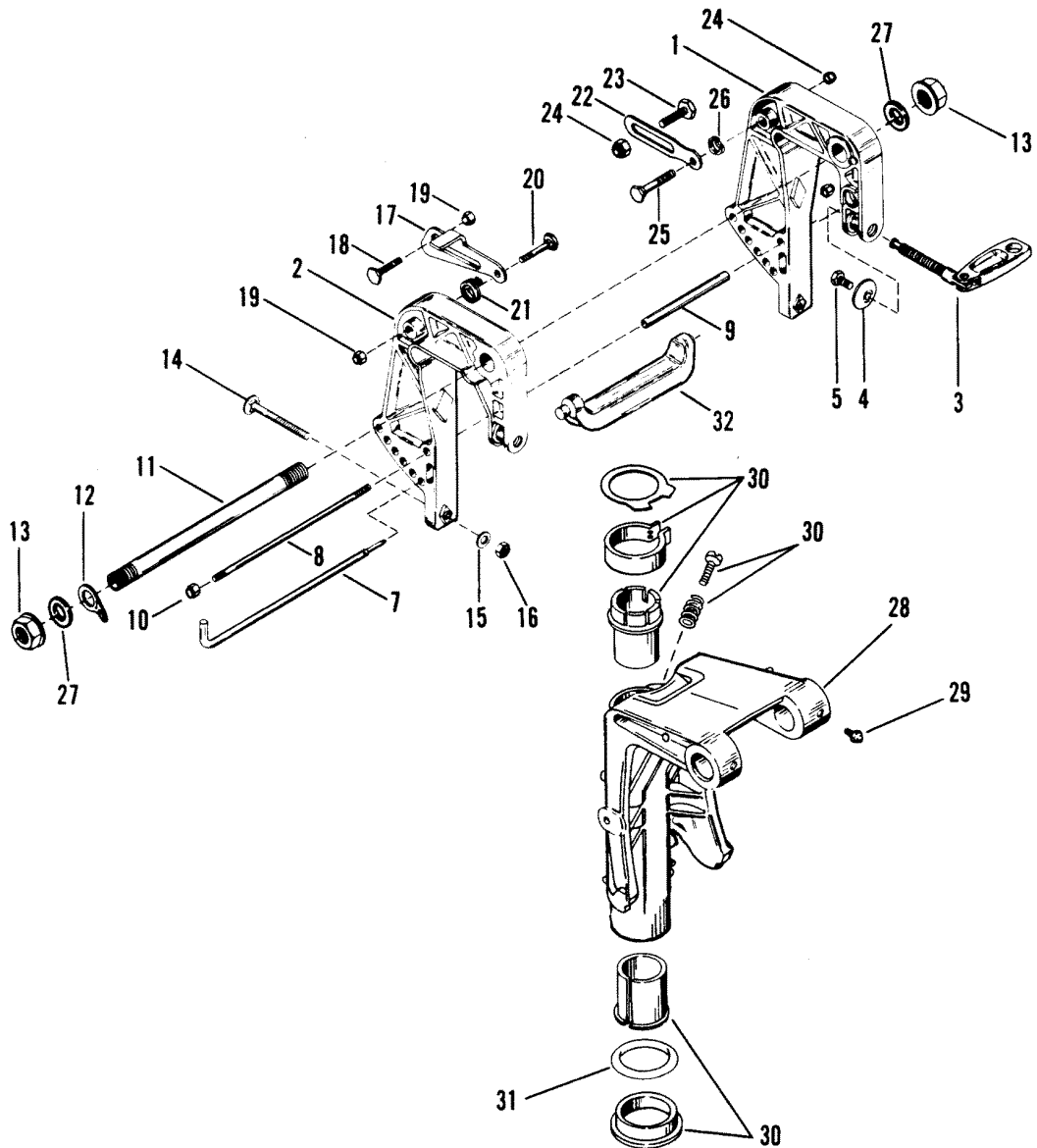
DRIVE SHAFT HOUSING



DRIVE SHAFT HOUSING

REF. NO.	PART NO.	SYM.	QTY.	DESCRIPTION
1	27-79650		2	GASKET, POWERHEAD
2	15763A1		1	PLATE ASSEMBLY, EXHAUST EXTENSION
3	12-38453		1	WASHER, NYLON - WATER INLET TUBE
4	26-38452		1	SEAL, RUBBER - WATER TUBE
5	79799		1	HOUSING, WATER INLET TUBE SEAL
6	27-79797		1	GASKET, HOUSING
7	10-52034		2	SCREW, HOUSING TO EXHAUST PLATE
8	16-69058		6	STUD, PLATE
9	12-16287		6	WASHER, PLATE STUD
10	11-35814		6	NUT, PLATE STUD
11	32-15958		1	WATER TUBE
12	12-20684		1	SEAL, WATER TUBE
13	12-21904		1	WASHER, WATER TUBE SEAL
14	3501-9544A12		1	HOUSING ASSEMBLY
15	27-14539		1	GASKET, DRIVE SHAFT HOUSING
16	18862A1		1	STEERING BAR ASSEMBLY
17	10-13402		4	SCREW
18	11-40063--5		4	NUT

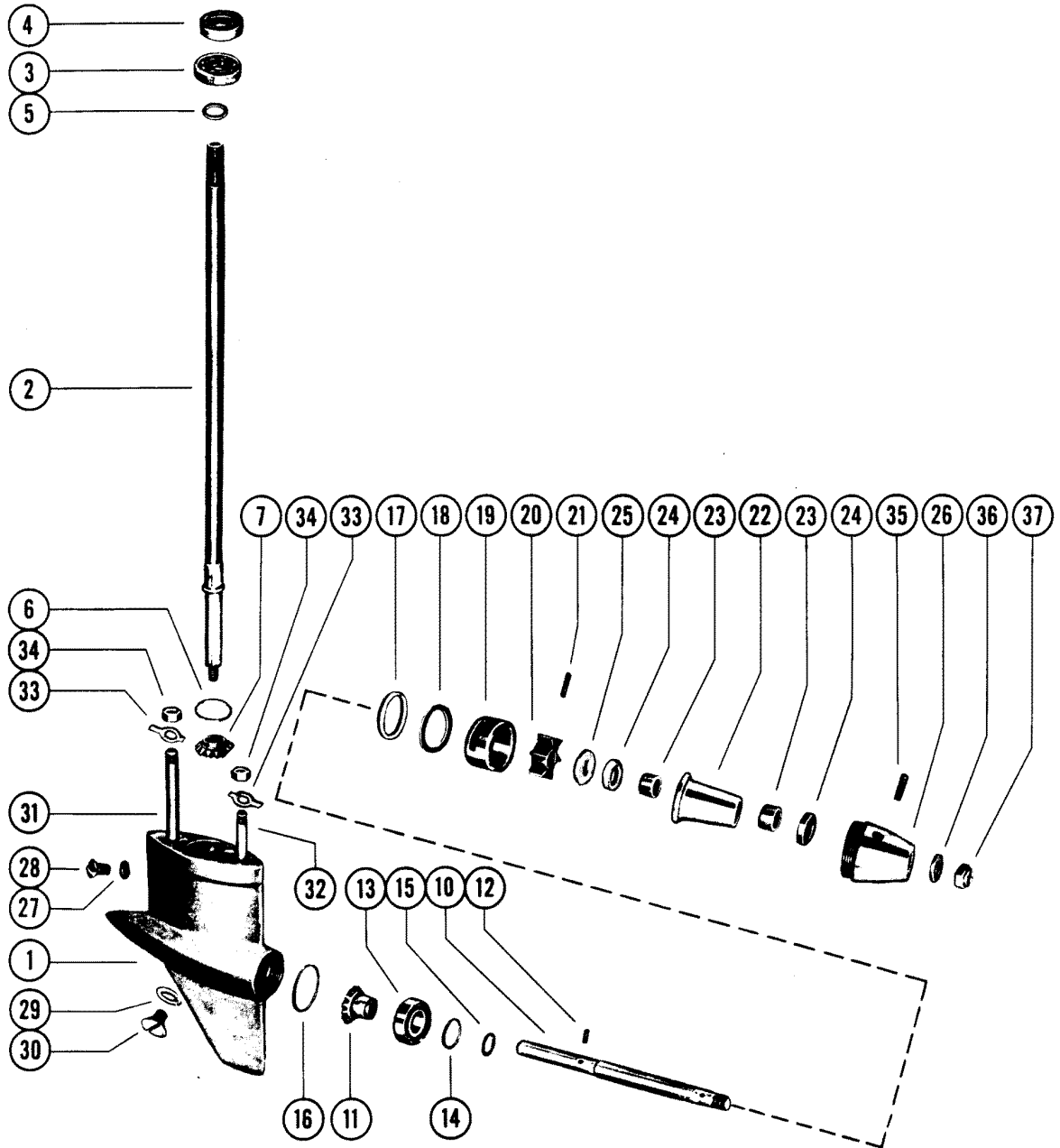
CLAMP BRACKET/SWIVEL BRACKET



CLAMP BRACKET/SWIVEL BRACKET

REF. NO.	PART NO.	SYM.	QTY.	DESCRIPTION
1	1497-8794A1		1	CLAMP BRACKET (PORT)
2	1497-8796A1		1	CLAMP BRACKET (STARBOARD)
3	10-92767A1		2	THUMB SCREW ASSEMBLY
4	12-73719		2	WASHER, THUMB SCREW
5	10-76804		2	SCREW, WASHER ATTACHING
7	17-99929A1		1	TILT PIN ASSEMBLY
8	16-99928		1	STUD, CLAMP BRACKET
9	23-41041		1	SPACER, CLAMP BRACKET STUD
10	11-40063--5		2	NUT, CLAMP BRACKET STUD
11	41171		1	TILT TUBE
12	54-30954		1	CLIP, SAFETY
13	11-93164		2	NUT, TILT TUBE
14	10-69064		2	BOLT, CLAMP BRACKET TO TRANSOM
15	12-67981		2	WASHER, CLAMP BRACKET BOLT
16	11-67980		2	NUT, CLAMP BRACKET BOLT
17	96965		1	LEVER, TILT STOP-STARBOARD SIDE
18	10-41523		1	SCREW, LEVER TO SWIVEL BRACKET
19	11-36069		2	NUT, TILT STOP LEVER SCREW
20	10-41524		1	SCREW, LEVER TO CLAMP BRACKET
21	24-44581		1	SPRING, TILT STOP LEVER SCREW
22	90901		1	STRAP, TILT STOP-PORT SIDE
23	10-41523		1	SCREW, STRAP TO SWIVEL BRACKET
24	11-36069		2	NUT, TILT STOP STRAP SCREW
25	10-41524		1	SCREW, STRAP TO CLAMP BRACKET
26	13-31030		2	WAVE WASHER, TILT STOP STRAP SCREW
27	12-71421		2	WASHER, TILT TUBE
28	1487-9543A2		1	SWIVEL BRACKET
29	22-74036		3	GREASE FITTING
30	54-11139A1		1	CLAMP ASSEMBLY
31	25-86993		1	O-RING
32	41042		1	HANDLE, CARRYING

GEAR HOUSING



GEAR HOUSING

REF. NO.	PART NO.	SYM.	QTY.	DESCRIPTION
-	1603-1148A6		1	GEAR HOUSING ASSEMBLY, COMPLETE
1	1603-1148A1		1	GEAR HOUSING ASSEMBLY
-	31-20790		2	ROLLER BEARING, PROPELLER AND DRIVE SHAFT
-	10-25853		1	PLUG, HEADLESS
32	16-20313		2	STUD, GEAR HOUSING TO DRIVE SHAFT HOUSING
2	45-15959		1	DRIVE SHAFT
3	30-21776		1	BALL BEARING, DRIVE SHAFT
4	25842A1		1	PILOT AND OIL SEAL ASSEMBLY
5	26-79831		1	OIL SEAL
-	15-25738		2	SHIM, BALL BEARING TO DRIVE SHAFT
6	15-21886A1		1	SHIM, BALL BRG. TO GEAR HSG. AND PILOT
7&11	43-25736A1		1	GEAR ASSEMBLY, PINION AND PROPELLER
-	13-26993		1	LOCKWASHER, PINION GEAR SCREW
-	10-20807		1	SCREW, PINION GEAR TO DRIVE SHAFT
10	44-21897		1	PROPELLER SHAFT
12	17-20937		1	PROPELLER PIN, GEAR TO SHAFT
13	30-21889		1	BALL BEARING, PROPELLER SHAFT
14	15-21158A1		1	SHIM, PROPELLER GEAR BRG. TO SNAP RING
15	53-21159		1	SNAP RING, BALL BEARING TO PROPELLER GEAR
16	15-21884A1		1	SHIM, PROP SHAFT BRG. TO GEAR HSG.
17	12-21890		1	"L" WASHER, SEALING-WATER PUMP CARTRIDGE
18	25-21891		1	SEAL, RUBBER-WATER PUMP CARTRIDGE
19	46-89316A1		1	WATER PUMP HOUSING ASSEMBLY
-	26-87647		1	OIL SEAL
20	47-21893		1	IMPELLER, WATER PUMP
21	17-20946		1	KEY, IMPELLER DRIVE
22	46-21587A1		1	WATER PUMP COVER ASSEMBLY
23	31-22640		2	ROLLER BEARING
24	26-21589		2	OIL SEAL
25	21591		1	PLATE, COVER
26	21590		1	COVER, GEAR HOUSING
27	12-20262		1	WASHER, GEAR HOUSING VENT SCREW
28	10-28653		1	SCREW, GEAR HOUSING VENT
29	12-20260		1	WASHER, GREASE FILLER HOLE SCREW
30	10-79953		1	SCREW, GREASE FILLER HOLE
33	12-34931		2	WASHER, GEAR HOUSING STUDS
34	11-34932		2	NUT, GEAR HOUSING STUDS
35	17-21898		1	SHEAR PIN
36	12-21901		1	WASHER, PROPELLER NUT
37	11-21899		1	PROPELLER NUT

PARTS INDEX

Part Number	Description	Pg.	Ref. No.	Part Number	Description	Pg.	Ref. No.
14360A24	FUEL PUMP ASSEMBLY . . .	15	1	76056	LINK ROD, SPARK		
14430--3	BASE,FUEL PUMP	15	14		ADVANCE (2-1/2")	9	29
15763A1	PLATE ASSEMBLY, EXHAUST EXTENSION . .	23	2	76559A1	LEVER, SPARK ADVANCE .	9	20
16676	CHOKE CABLE	13	39	76867	COVER, STARTER MOTOR (LOWER)	17	5
16677	SWIVEL	11	33	77013A1	SWIVEL, LINK ROD TO SPARK ADVANCE LEVER	9	31
16678	CHOKE LEVER	11	35	77381	COVER, EXHAUST MANIFOLD	19	24
16681	BRACKET	5	23	79799	HOUSING, WATER INLET TUBE SEAL	23	5
16682	BRACKET, THROTTLE CABLE	19	26	85174A1	HANDLE AND RETAINER ASSEMBLY	5	21
16683	MOUNTING PLATE	19	30	87553A1	COVER ASSEMBLY, TRANSFER PORT	19	12
16762	FRONT SHIELD	3	2	87554	COVER, IGNITION COIL . . .	7	17
16763A2	BOTTOM COWL ASSEMBLY	3	17	87656	SHEAVE SHAFT (WITHOUT HOLE)	5	19
16764	PLATE, BOTTOM COWL . . .	3	14	88322	PLATE, SWITCH BOX	7	28
16931	SWIVEL	9	16	89016--2	STARTER HOUSING	5	3
17652	ARM, THROTTLE	9	12	90421	PLATE, BAFFLE-EXHAUST MANIFOLD	19	22
18044	COWL LATCH	3	20	90901	STRAP, TILT STOP-PORT SIDE	25	22
18044	COWL LATCH	3	5	92880	LEVER,THROTTLE(UPPER CARBURETOR)	11	26
18862A1	STEERING BAR ASSEMBLY	23	16	94962	LEVER	5	17
19059	SHEAVE SHAFT (WITH HOLE)	5	19A	96255-14	THROTTLE LINK	13	38
19682	REST, STARTER HANDLE . .	5	30	96452A1	TRIGGER ASSEMBLY	7	10
21590	COVER, GEAR HOUSING . .	27	26	96773A1	CHOKE SHAFT	11	4
21591	PLATE, COVER	27	25	96965	LEVER, TILT STOP- STARBOARD SIDE	25	17
25788	PLATE	19	34	98775A2	PLATE,FUEL PUMP	15	15
25842A1	PILOT AND OIL SEAL ASSEMBLY	27	4	99690	PLATE, COWL HOLD-DOWN	3	9
26113	RACE, OUTER	21	24	99779	CLIP	3	12
37691	PLATE, CABLE GUIDE	5	8	10-13402	SCREW	23	17
41042	HANDLE, CARRYING	25	32	10-16452	SCREW,FUEL PUMP TO CRANKCASE	15	19
41171	TILT TUBE	25	11	10-20359	SCREW, CENTER MAIN BEARING LOCKING (1") . .	17	17
44508	STARTER PAWL	5	5	10-20619	SCREW, SWITCH BOX AND "J" CLIP TO PLATE (1-3/8")	7	25
48039	CAP, ADJUSTING SCREW . .	9	15	10-20807	SCREW, PINION GEAR TO DRIVE SHAFT	27	-
48039	CAP, ADJUSTING SCREW . .	9	28	10-20847	SCREW,THROTTLE LEVER(UPPER CARBURETOR) . .	11	27
48039	CAP, ADJUSTING SCREW . .	9	40	10-21449	SCREW, BRACKET TO THROTTLE ACTUATOR (2")	9	5
53719A2	PICK-UP BRACKET ASSEMBLY	13	40	10-22476	SCREW	5	27
57440	SWIVEL, LINK ROD TO THROTTLE ACTUATOR . .	9	9	10-25158	SCREW, ADJUSTING - SPARK ADVANCE LEVER (1-3/4")	9	26
57440	SWIVEL, LINK ROD TO THROTTLE ARM	9	11	10-25158	SCREW, ADJUSTING - THROTTLE ARM (1-3/4") .	9	13
61002	PLATE, STARTER REWIND . .	5	10	10-25853	PLUG, HEADLESS	27	-
64677	VENTURI	11	16	10-28635	SCREW, SWITCH BOX PLATE TO CYLINDER BLOCK	7	29
65503A4	EMERGENCY STOP SWITCH ASSEMBLY	3	29				
66778	PLATE, THROTTLE ACTUATOR	9	36				
68413--6	TRIM MOULDING	3	18				
69791	NOZZLE, TELL TALE HOSE TO BOTTOM COWL	3	24				
72032	ACTUATOR, THROTTLE . . .	9	4				
72038	BRACKET, STARTER MOTOR (UPPER)	17	2				
72040	BRACKET, THROTTLE ACTUATOR	9	1				
72043	LINK ROD	9	10				
74897	PIVOT, THREADED - LINK ROD TO TRIGGER	9	30				
75095A2	CAP ASSEMBLY, STOP SWITCH	3	30				

PARTS INDEX

Part Number	Description	Pg.	Ref. No.	Part Number	Description	Pg.	Ref. No.
10-28653	SCREW,SWIVEL	11	34	10-73279	SCREW, COVER TO		
10-28668	SCREW, CYLINDER BLOCK COVER(1")	19	11	10-73286	CRANKCASE (1-7/8")	17	6
10-29256	SCREW, LOWER END CAP (7/8")	19	20	10-73657	SCREW, PLATE TO BRACKET	19	31
10-31716	SCREW, TRANSFER PORT COVER (5/8")	19	14	10-75840	SCREW, CRANKCASE TO CYLINDER BLOCK (1-1/2")	17	15
10-31984	SCREW, CRANKCASE TO CYLINDER BLOCK (1-3/8")	17	15	10-76630	SCREW, STATOR TO UPPER END CAP (7/8")	7	9
10-35881	SCREW, DRIVE-CABLE GUIDE PLATE	5	9	10-76804	SCREW, CENTER MAIN BEARING (1")	21	26
10-37562	SCREW, MANIFOLD COVER TO CYLINDER BLOCK (1")	19	25	10-77280	SCREW, WASHER ATTACHING	25	5
10-38837	SCREW, MANIFOLD COVER TO CYLINDER BLOCK (1-1/8")	19	25	10-79953	SCREW, REED STOP (9/16")	21	10
10-40003-10	SCREW,FUEL PUMP	15	18	10-88856	SCREW, GREASE FILLER HOLE	27	30
10-41523	SCREW, LEVER TO SWIVEL BRACKET	25	18	10-91012	SCREW, COIL COVER (10-32 X 2")	7	18
10-41523	SCREW, STRAP TO SWIVEL BRACKET	25	23	10-92767A1	SCREW, CAP TO ROD	21	16
10-41524	SCREW, LEVER TO CLAMP BRACKET	25	20	10-98260	THUMB SCREW ASSEMBLY	25	3
10-41524	SCREW, STRAP TO CLAMP BRACKET	25	25	11-20110	SCREW, MAIN BEARING LOCKING (5/8")	17	17
10-45775	SCREW, MAIN BEARING (9/16")	21	6	11-20166	NUT, REED STOP SCREW	21	11
10-46420	SCREW, PLATE TO THROTTLE ACTUATOR (1/2")	9	37	11-21899	NUT, SHEAVE SHAFT(LEFT HAND THREAD)	5	1
10-52034	SCREW, HOUSING TO EXHAUST PLATE	23	7	11-22339	PROPELLER NUT	27	37
10-53576	SCREW, THROTTLE ACTUATOR BRACKET (1-1/8")	9	2	11-29250	NUT, FLYWHEEL	7	2
10-54523	SCREW, STARTER HOUSING	5	6	11-29598	NUT, BRACKET SCREW	9	8
10-55337	SCREW, LEVER AND ARM TO CYLINDER BLOCK (1-3/4")	9	21	11-34059	NUT, SWIVEL	9	18
10-55511	SCREW	19	27	11-34932	NUT	19	36
10-55903	SCREW, ADJUSTING - THROTTLE ARM (2-1/4")	9	13	11-35053	NUT, GEAR HOUSING STUDS	27	34
10-64014	SCREW, PLATE	3	15	11-35814	NUT	15	25
10-66104	SCREW,PICK-UP BRACKET	13	41	11-35814	NUT, PLATE STUD	23	10
10-68513	SCREW	9	17	11-36069	NUT, POWERHEAD STUDS	17	25
10-68997	SCREW, RATCHET TO FLYWHEEL	7	7	11-36069	NUT	5	29
10-69011	SCREW, ADJUSTING - PLATE (1")	9	38	11-36069	NUT, PLATE SCREW	3	16
10-69064	BOLT, CLAMP BRACKET TO TRANSOM	25	14	11-36069	NUT, TILT STOP LEVER SCREW	25	19
10-69067	SCREW	5	31	11-36069	NUT, TILT STOP STRAP SCREW	25	24
10-69267	SCREW	5	24	11-40063--5	NUT	23	18
10-69570	SCREW, FRONT SHIELD	3	3	11-40063--5	NUT, CLAMP BRACKET STUD	25	10
10-73274	SCREW, UPPER END CAP (3/4")	19	7	11-45076	NUT, IGNITION COIL TERMINALS	7	15
10-73275	SCREW,CRANKCASE TO CYLINDER BLOCK (2-7/8")	17	15	11-45076	NUT, SWITCH BOX TERMINALS	7	27
				11-45592	NUT	5	35
				11-45774	NUT, LINK ROD SWIVEL	9	35
				11-45774	NUT, MAIN BEARING SCREW	21	7
				11-64809	NUT,CARBURETOR MOUNTING STUD	11	37
				11-67980	NUT, CLAMP BRACKET BOLT	25	16
				11-68219	NUT, ADJUSTING SCREW	9	14
				11-68219	NUT, ADJUSTING SCREW	9	27
				11-68219	NUT, ADJUSTING SCREW	9	39
				11-93164	NUT, TILT TUBE	25	13
				12-12038	WASHER	5	25

PARTS INDEX

Part Number	Description	Pg.	Ref. No.	Part Number	Description	Pg.	Ref. No.
12-12038	WASHER	5	34	13-31030	WAVE WASHER, TILT STOP STRAP SCREW	25	26
12-12038	WASHER	19	28	13-62172	WAVE WASHER, BRACKET SCREW	9	7
12-12038	WASHER, POWERHEAD STUDS	17	24	14-20091	TAB WASHER, CENTER BEARING LOCKING SCREW	17	18
12-16287	WASHER, PLATE STUD	23	9	14-61004	TAB WASHER, SHEAVE SHAFT NUT	5	2
12-20128	WASHER	3	11	15-20085A1	SHIM, LOWER END CAP (.005-10)	19	19
12-20260	WASHER, GREASE FILLER HOLE SCREW	27	29	15-21158A1	SHIM, PROPELLER GEAR BRG. TO SNAP RING	27	14
12-20262	WASHER, GEAR HOUSING VENT SCREW	27	27	15-21884A1	SHIM, PROP SHAFT BRG. TO GEAR HSG.	27	16
12-20546	WASHER	5	32	15-21886A1	SHIM, BALL BRG. TO GEAR HSG. AND PILOT	27	6
12-20684	SEAL, WATER TUBE	23	12	15-25738	SHIM, BALL BEARING TO DRIVE SHAFT	27	-
12-21890	"L" WASHER, SEALING-WATER PUMP CARTRIDGE	27	17	15-72538A1	SHIM, UPPER END CAP (.005-10)	19	6
12-21901	WASHER, PROPELLER NUT	27	36	16-20313	STUD, GEAR HOUSING TO DRIVE SHAFT HOUSING	27	32
12-21904	WASHER, WATER TUBE SEAL	23	13	16-21085	STUD	19	33
12-22887	WASHER	3	4	16-68164	STUD, CARBURATOR (1-1/4")	17	9
12-25893	WASHER, BRACKET SCREW	9	6	16-68166	STUD, CYLINDER BLOCK TO DRIVE SHAFT HOUSING (2-1/8")	17	13
12-30164	WASHER, COIL COVER SCREW	7	19	16-69058	STUD, CYLINDER BLOCK TO DRIVE SHAFT HOUSING	17	14
12-33786	WASHER, LINK ROD SWIVEL	9	34	16-69058	STUD, PLATE	23	8
12-34931	WASHER, GEAR HOUSING STUDS	27	33	16-99928	STUD, CLAMP BRACKET	25	8
12-35462	WASHER	5	28	17-12146	POP RIVET	3	10
12-35559	WASHER, STARTER REWIND	5	16	17-12147	RIVET	3	19
12-38453	WASHER, NYLON - WATER INLET TUBE	23	3	17-20032	DOWEL PIN, CENTER MAIN BEARING	21	22
12-38833	WASHER	19	35	17-20032	DOWEL PIN, MAIN BEARING	21	4
12-47275	WASHER, NEEDLE LOCATING	21	19	17-20032	DOWELPIN, CYLINDER BLOCK TO MAIN BEARING	17	8
12-57238	WASHER	3	22	17-20033	DOWELPIN, CRANKCASE TO CYLINDER BLOCK	17	11
12-57238	WASHER	3	7	17-20937	PROPELLER PIN, GEAR TO SHAFT	27	12
12-67981	WASHER, CLAMP BRACKET BOLT	25	15	17-20946	KEY, IMPELLER DRIVE	27	21
12-68229	WASHER, FLYWHEEL NUT	7	3	17-21898	SHEAR PIN	27	35
12-68410	WASHER, LEVER AND ARM SCREW	9	25	17-65855	DOWEL PIN, REED LOCATING	21	5
12-70132	WASHER, CRANKCASE SCREW	17	16	17-69745	ROLL PIN	11	36
12-71421	WASHER, TILT TUBE	25	27	17-86914	RIVET	3	21
12-73719	WASHER, THUMB SCREW	25	4	17-86914	RIVET	3	6
12-91964	WASHER	15	24	17-99929A1	TILT PIN ASSEMBLY	25	7
12-99456	WASHER WITH HOLD-DOWN HOLE	5	37	21-42867	CHECK VALVE, BLEED HOSE (LOWER)	17	23
13-20160	WAVE WASHER	5	18	21-42990A2	DIAPHRAGM KIT	15	2
13-20202	LOCKWASHER, STARTER HOUSING SCREW	5	7	22-16675	FITTING	15	23
13-26992	LOCKWASHER, PLATE SCREW	19	32	22-32802	PIPE PLUG, CYLINDER BLOCK COVER	19	9
13-26993	LOCKWASHER, BRACKET SCREW	17	4	22-39072	PIPE PLUG	15	17
13-26993	LOCKWASHER, PINION GEAR SCREW	27	-	22-56800	PIPE PLUG	15	16
13-26993	LOCKWASHER, THROTTLE ACTUATOR BRACKET SCREW	9	3				
13-29402	WAVE WASHER, SWIVEL	9	32				

PARTS INDEX

Part Number	Description	Pg.	Ref. No.	Part Number	Description	Pg.	Ref. No.
22-65857	CONNECTOR, BLEED HOSE (UPPER)	17	21	27-85492--1	GASKET, BAFFLE PLATE TO EXHAUST COVER	19	23
22-72218	TEE,FUEL LINE	15	27	27-98769	GASKET,BASE	15	13
22-74036	GREASE FITTING	25	29	28-20094	KEY, CRANKSHAFT	21	2
22-78279	ELBOW, TELL TALE HOSE - CYLINDER BLOCK	3	28	28-89694	KEY,COUPLING	13	42
22-99664	ELBOW, BALANCE TUBE TO CYLINDER BLOCK	17	20	29-20046T	NEEDLE BEARING, CRANKPIN	21	20
23-16679	SPACER	5	33	29-20063	NEEDLE BEARING, PISTON PIN	21	18
23-16680	SPACER	5	26	29-71422	NEEDLE BEARING	21	23
23-16680	SPACER	19	29	30-21776	BALL BEARING, DRIVE SHAFT	27	3
23-17433	SPACER, STARTER ROPE	5	22	30-21889	BALL BEARING, PROPELLER SHAFT	27	13
23-19060	SPACER WITH HOLD-DOWN HOLE	5	36	30-63742	BALL BEARING, LOWER END CAP	19	18
23-26856	BUSHING, LINK ROD SWIVEL	9	33	30-63742	BALL BEARING, UPPER END CAP	19	5
23-41041	SPACER, CLAMP BRACKET STUD	25	9	31-20790	ROLLER BEARING, PROPELLER AND DRIVE SHAFT	27	-
23-55164	BUSHING, LEVER AND ARM SCREW	9	22	31-22640	ROLLER BEARING	27	23
23-55171	BUSHING, LEVER AND ARM SCREW	9	23	32-15958	WATER TUBE	23	11
23-63061	SPACER, SHEAVE SHAFT	5	15	32-99127109	FUEL LINE,CARBURETOR TO TEE TO CARBURETOR(2")	15	26
23-87649	BUSHING, SPRING GUIDE	5	12	32-99127109	HOSE, TELL TALE HOSE TO BOTTOM COWL (14')	3	27
23-90882	SLEEVE, TELL TALE NOZZLE	3	25	32-99127109	TUBE, BALANCE-MAIN BEARING (5-1/2")	17	19
23-99509	SPACER WITH HOLD-DOWN HOLE	5	38	32-99129-76	TUBING	15	20
24-39502A1	SPRING, STARTER REWIND	5	11	32-99387-79	HOSE, CHLINDER BLEED (11")	17	22
24-44581	SPRING, TILT STOP LEVER SCREW	25	21	33-97182	SPARK PLUG (NGK #BUHW-2)	7	23
24-55162	SPRING, RETURN - SPARK ADVANCE LEVER	9	24	34-16684A1	REED SET, MATCHED	21	8
24-87651	SPRING, STARTER PAWL	5	13	34-79014	REED STOP	21	9
25-20081	O-RING, LOWER END CAP	19	16	35-16494	FUEL FILTER	15	21
25-20081	O-RING, UPPER END CAP	19	4	37-17241A87	DECAL SET	1	-
25-21891	SEAL, RUBBER-WATER PUMP CARTRIDGE	27	18	37-17241A87	DECAL SET	3	8
25-56291	GROMMET, BOTTOM COWL	3	23	39-27841A12	PISTON RING (STANDARD)	21	14
25-86993	O-RING	25	31	39-28616A12	PISTON RING (.015 O.S.)	21	14
26-21589	OIL SEAL	27	24	39-89822A12	PISTON RING (.030 O.S.)	21	14
26-38452	SEAL, RUBBER - WATER TUBE	23	4	40-47276	LOCK RING, PISTON PIN	21	13
26-41953	OIL SEAL, LOWER END CAP	19	17	43-25736A1	GEAR ASSEMBLY, PINION AND PROPELLER	27	7&11
26-41953	OIL SEAL, UPPER END CAP	19	3	44-21897	PROPELLER SHAFT	27	10
26-79831	OIL SEAL	27	5	45-15959	DRIVE SHAFT	27	2
26-87647	OIL SEAL	27	-	46-21587A1	WATER PUMP COVER ASSEMBLY	27	22
27-14539	GASKET, DRIVE SHAFT HOUSING	23	15	46-89316A1	WATER PUMP HOUSING ASSEMBLY	27	19
27-27936	GASKET, TRANSFER PORT COVER	19	13	47-21893	IMPELLER, WATER PUMP	27	20
27-43777	GASKET, CYLINDER BLOCK COVER	19	10	50-12066A9	STARTER ROPE ASSEMBLY	5	20
27-43777A87	GASKET SET	1	-	50-44255A1	STARTER SHEAVE	5	4
27-75791	GASKET,CARBURETOR FLANGE	11	32	50-88755	RATCHET, FLYWHEEL	7	6
27-79650	GASKET, POWERHEAD	23	1	53-21159	SNAP RING, BALL BEARING TO PROPELLER GEAR	27	15
27-79797	GASKET, HOUSING	23	6	53-26933	SNAP RING, OUTER RACE	21	25
27-85491--1	GASKET, CYLINDER BLOCK TO BAFFLE PLATE	19	21	53-87706	E-RING, STARTER PAWL	5	14

PARTS INDEX

Part Number	Description	Pg.	Ref. No.	Part Number	Description	Pg.	Ref. No.
54-11139A1	CLAMP ASSEMBLY	25	30	1395-9293	FLOAT	11	7
54-30954	CLIP, SAFETY	25	12	1395-9650	REPAIR PARTS KIT	11	-
54-55098	CLAMP,FUEL LINE	15	29	1395-9651	GASKET SET	11	-
54-63300--1	CLAMP,FUEL FILTER	15	28	1395-9652	SCREW,FUEL BOWL TO		
54-64235--1	"J" CLIP, SWITCH BOX				CARBURETOR	11	11
	LEADS	7	26	1395-9653	COVER,PLATE (UPPER		
54-90077	CLAMP, TELL TALE NOZZLE	3	26		CARBURETOR)	11	22
54-90077	STA-STRAP,FUEL LINE	15	30	1395-9654	COVER,PLATE(LOWER		
54-90077	STA-STRAP,FUEL TUBING	15	22		CARBURETOR)	11	23
84-60466A19	GROUND WIRE, COIL TO			1395-9656	THROTTLE SHAFT(LOWER		
	SWITCH BOX	7	16		CARBURETOR)	11	25
84-88721A1	HARNESS, SWITCH BOX TO			1395-9700	THROTTLE SHUTTER	11	30
	IGNITION COIL	7	13	1399-1457	JET,MAIN FUEL(.057)	11	14
84-88807A6	CABLE ASSEMBLY (BLACK)	3	13	1399-5127	FUEL BOWL	11	9
84-99215A25	LEAD ASSEMBLY, SPARK			1399-5132	SCREW,STRAINER BODY		
	PLUG	7	20		TO CARBURETOR	11	24
85-63709A1	PROTECTOR ASSEMBLY	7	21	1399-7211A1	BAFFLE, FUEL BOWL	11	6
90-17018880	OWNER'S GUIDE	1	-	1399-8665	CHOKE SHUTTER	11	17
90-18174	44XS PARTS LIST	1	-	1399-97	LEVER,THROTTLE(LOWER		
249-6080A27	FLYWHEEL ASSEMBLY	7	4		CARBURETOR)	11	28
332-2854	BOOT, IGNITION COIL	7	22	1487-9543A2	SWIVEL BRACKET	25	28
332-5772A2	SWITCH BOX ASSEMBLY	7	24	1497-8794A1	CLAMP BRACKET (PORT)	25	1
339-7370A13	IGNITION COIL ASSEMBLY	7	14	1497-8796A1	CLAMP BRACKET		
398-5454A56	STATOR	7	8		(STARBOARD)	25	2
459-9075	CRANKSHAFT	21	1	1603-1148A1	GEAR HOUSING ASSEMBLY	27	1
534-3267A25	MAIN BEARING ASSEMBLY			1603-1148A6	GEAR HOUSING ASSEMBLY,		
	(VALVE TYPE)	21	3		COMPLETE	27	-
547-7060A2	CENTER MAIN BEARING			2167-9666A1	TOP COWL ASSEMBLY (W/O		
	ASSEMBLY	21	21		HOLD-DOWN HOLE)	3	1
632-7621A3	CONNECTING ROD AND			2167-9666A2	TOP COWL ASSEMBLY (W/O		
	CAP ASSEMBLY	21	15		HOLD-DOWN HOLE)	3	1
743-3366A2	PISTON AND PISTON PIN			3501-9544A12	HOUSING ASSEMBLY	23	14
	ASSEMBLY (.015 O.S.)	21	12				
743-5172A6	PISTON AND PISTON PIN						
	ASSEMBLY (STANDARD)	21	12				
743-7716A2	PISTON AND PISTON PIN						
	ASSEMBLY (.030 O.S.)	21	12				
863-8981A11	CYLINDER						
	BLOCK/CRANKCASE						
	ASSEMBLY	17	1				
863-8981A11	CYLINDER						
	BLOCK/CRANKCASE						
	ASSEMBLY	19	1				
1017-8360A1	COVER ASSEMBLY,						
	CYLINDER BLOCK	19	8				
1158-6635A1	END CAP ASSEMBLY,						
	LOWER	19	15				
1160-5826A2	END CAP ASSEMBLY,						
	UPPER	19	2				
1367-6517A39	CARBURETOR ASSEMBLY						
	(UPPER)	11	1				
1367-6517A40	CARBURETOR ASSEMBLY(
	LOWER)	11	1				
1395-6027	SCREW,THROTTLE LEVER(
	LOWER CARBURETOR)	11	29				
1395-7335	JET,ECONOMIZER(.098)	11	15				
1395-9020	THROTTLE SHAFT(UPPER						
	CARBURETOR)	11	25				
1395-9022	INLET NEEDLE AND						
	SRPRING	11	13				