

TO: PARTS MANAGER
SERVICE MANAGER

No. 92-5

A. DUAL-STAGE COUPLER KIT

Models

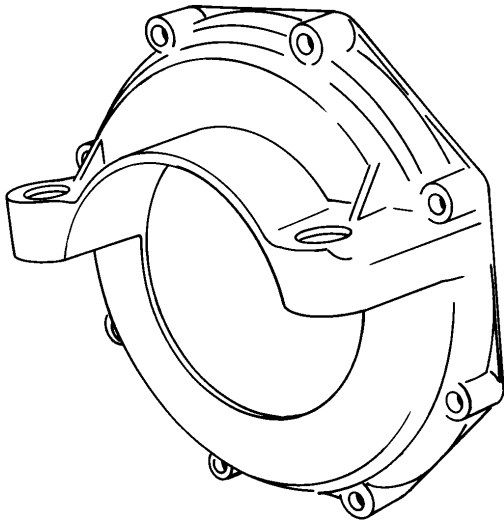
MCM D530, D636, D183, D219, D254 Stern Drive Engines.

Kit Part Numbers

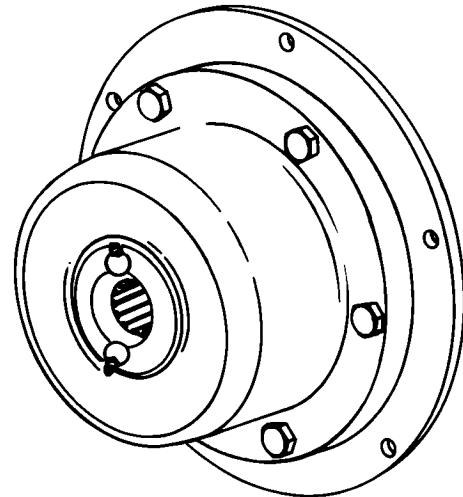
The following kits will let you change from the solid rubber hub engine coupler to the Dual-Stage Engine Coupler. Follow kit instructions for installation.

18311A11 Coupler Kit for MCM D530, D636, D183, D219.

18311A12 Coupler Kit for MCM D254.



71549



71545