



Service Bulletin

Bulletin No. 2011-62
CMD 2011-02

Circulate to: Sales Manager Accounting Service Manager Technician Parts Manager

VesselView Displays Damaged by Voltage Spikes

Scope

Worldwide.

Models Affected

Models Covered	Serial Number Range
Zeus	All
CMD products equipped with VesselView, including Axius	All

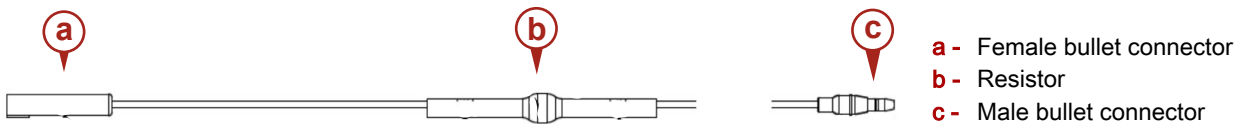
Situation

A voltage spike in the horn circuit could damage the VesselView display and result in a continuous sounding horn.

Correction

Replace the VesselView display if a continuous sounding horn occurs and faults are not present. Install a horn resistor kit in VesselView harnesses with CMD part number 4939813 or Mercury part number 80-898273T01 before connecting the new VesselView display.

Qty.	Description	CMD	Mercury
1	Horn Resistor Harness Kit for VesselView	5287433	8M0054778
1	VesselView display	5266488	8M0044893
		5262430	



47842

Installing the Resistor

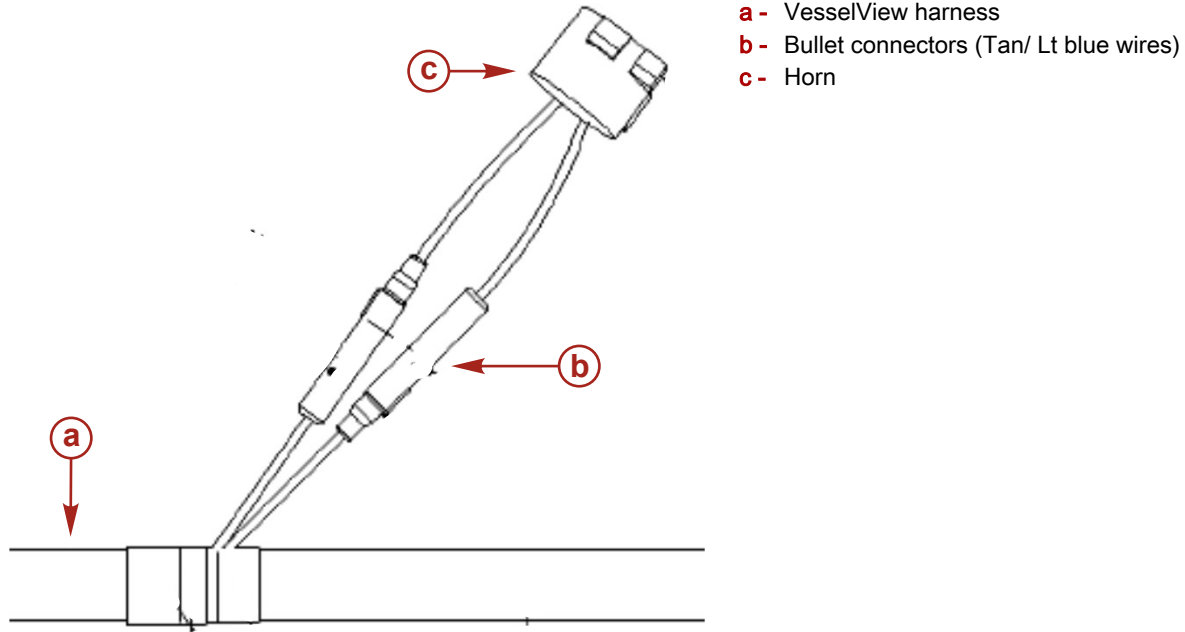
Install the wire with the resistor for the horn between the Tan/ Lt blue wire bullet connectors on the VesselView harness.

THE INFORMATION IN THIS DOCUMENT IS CONFIDENTIAL AND PROTECTED BY COPYRIGHT AND IS THE PROPERTY OF MERCURY MARINE.

This document is provided for the sole and exclusive use of the original recipient as prescribed by Mercury Marine and may not be distributed or copied, digitally or otherwise, without the prior written consent of Mercury Marine.

VesselView Displays Damaged by Voltage Spikes

1. Separate the male and female bullet connectors on the Tan/ Lt blue wire between the horn and the VesselView harness.



47843

2. Connect the resistor wire bullet connectors (male and female) to the corresponding bullet connectors on the Tan/ Lt blue wires.
3. Secure resistor and wire as necessary.

All new VesselView harnesses now include a resistor. Part numbers for complete CMD or Mercury VesselView harnesses and VesselView displays are listed below.

Qty.	Description	CMD	Mercury
1	New VesselView harness with horn resistor	5287432	8M0054864

Warranty

Cummins MerCruiser Diesel will cover the cost of VesselView display replacements and resistor kit installations when verified by a continuous sounding horn indicating a failed display unit.

To file a warranty claim for this repair, file Zeus warranty claims through Cummins RAPIDSERVE. Use the appropriate SRT code. To file a warranty claim on a CMD diesel vessel equipped with Axius or VesselView, file the claim through the Mercury MerCruiser Warranty claims office. Mercury Marine will credit the dealer for the cost of labor. Submit warranty claims through your normal warranty-processing channel, listing:

- Starboard engine serial number
- Port engine serial number
- Part Code 640
- Failure Code 35
- Flat Rate Code and labor: ME88 0.2 hours
- Flat Rate Code and labor: ME87 0.5 hours

THE INFORMATION IN THIS DOCUMENT IS CONFIDENTIAL AND PROTECTED BY COPYRIGHT AND IS THE PROPERTY OF MERCURY MARINE.

This document is provided for the sole and exclusive use of the original recipient as prescribed by Mercury Marine and may not be distributed or copied, digitally or otherwise, without the prior written consent of Mercury Marine.