

Warranty Information

 Service Information

Bulletin No. 2003-09

 Parts Information

OEM No. 2003-03

 Circulate to:
 Sales Manager
 Accounting
 Service Manager
 Technician
 Parts Manager

Official Notification U. S. Federal Boat Safety Act

MCM Shift Plate Cable Attaching Hardware

Models Affected Gas and Diesel

Model	Serial Number or Year
MCM 3.0L	0M660437 through 0M672797
MCM 4.3L	0M660513 through 0M672849
MCM 4.3 MPI	0M660300 through 0M673132
MCM 5.0L	0M660300 through 0M672849
MCM 5.0 MPI	0M660300 through 0M672849
MCM 5.7L	0M660000 through 0M672950
MCM 350 MAG MPI	0M660000 through 0M672950
MCM 350 MAG MPI HORIZON	0M660000 through 0M675950
MCM MX6.2 MPI	0M660300 through 0M672971
MCM 6.2 MPI MAG HORIZON	0M660300 through 0M672971
MCM 496 MAG	0M660000 through 0M672006
MCM 496 MAG 3 in. riser	0M660000 through 0M667294
MCM 496 MAG 6 in. riser	0M660000 through 0M667293
MCM 496 MAG HO	0M660000 through 0M667276
MCM D1.7L DTI	mid-2003
MCM D2.8L	mid-2003
MCM D4.2L	mid-2003
D4.2L 230	mid-2003
D4.2L LD	mid-2003
D4.2L 300	mid-2003

Situation

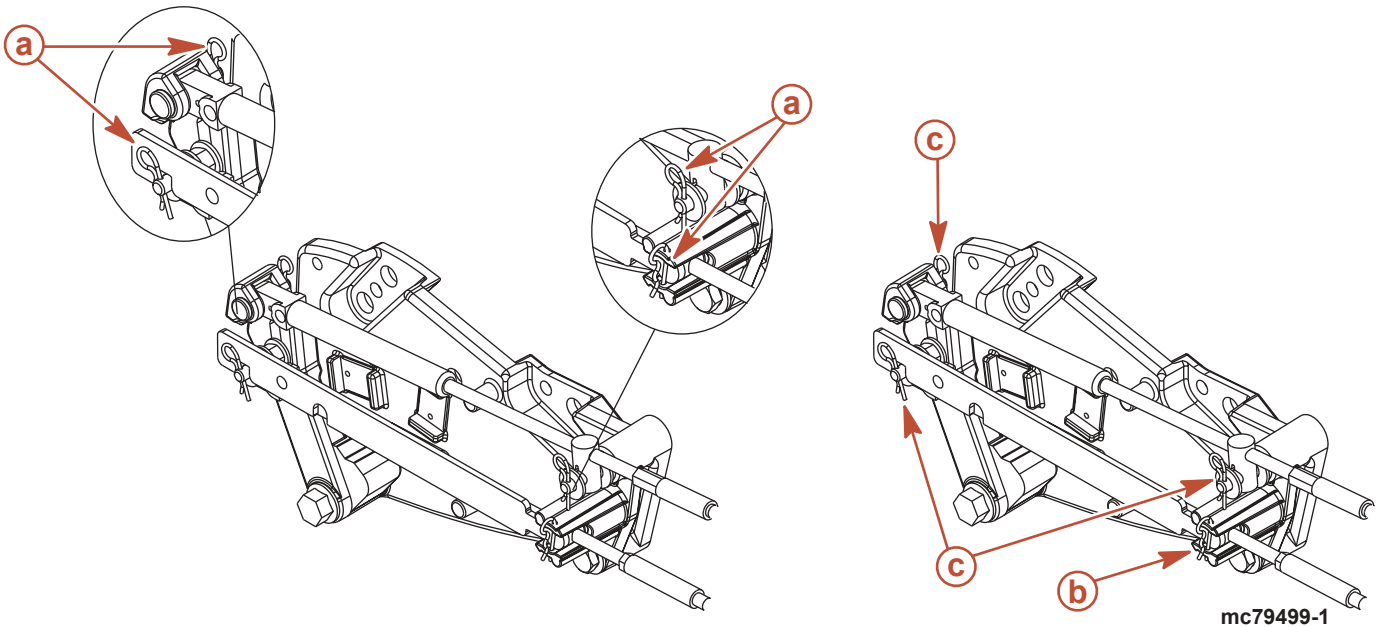
All affected MCM engines have a new shift plate assembly installed. These assemblies have a hairpin cotter for the shift cable attaching hardware that may come loose and fall out. The hairpin cotters that retain the shift cables to the studs and shift lever clevis pin on the shift plate assembly on all affected MCM engines may be bent open and will come loose and fall out. If that occurs, the shift cable will become disconnected from the shift plate, which will cause a loss of shift control.

THE INFORMATION IN THIS DOCUMENT IS CONFIDENTIAL AND PROTECTED BY COPYRIGHT AND IS THE PROPERTY OF MERCURY MARINE.

This document is provided for the sole and exclusive use of the original recipient as prescribed by Mercury Marine and may not be distributed or copied, digitally or otherwise, without the prior written consent of Mercury Marine.

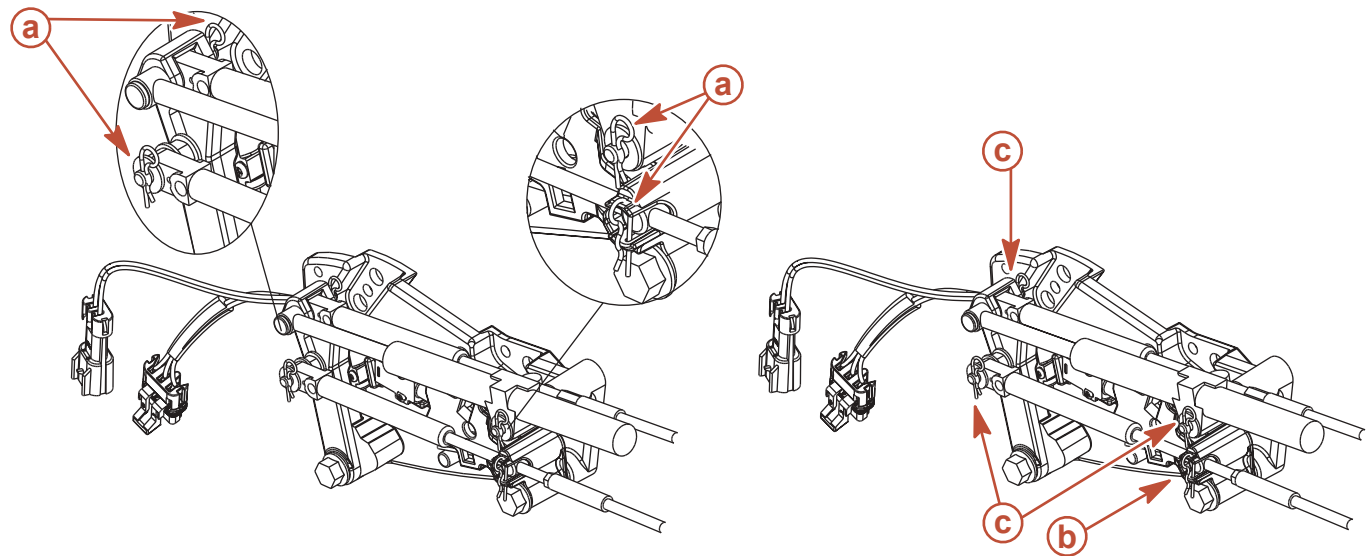
Correction

Remove hairpin cotters (a) 18-859746 from all anchor points on the shift plate, and replace with (1) of 18-32857-1 cotter pin at the shift cable anchor on the Alpha switch actuating arm and Bravo shift cable retainer plus (3) of 18-21071-1 on the two studs and the clevis pin on the shift lever.



Bravo shift plate

- a** - Hairpin cotters
- b** - Location to install 18-32857-1 cotter pin
- c** - Locations to install 18-21071-1 cotter pins



Alpha shift plate

- a** - Hairpin cotters
- b** - Location to install 18-32857-1 cotter pin
- c** - Locations to install 18-21071-1 cotter pins

THE INFORMATION IN THIS DOCUMENT IS CONFIDENTIAL AND PROTECTED BY COPYRIGHT AND IS THE PROPERTY OF MERCURY MARINE.

This document is provided for the sole and exclusive use of the original recipient as prescribed by Mercury Marine and may not be distributed or copied, digitally or otherwise, without the prior written consent of Mercury Marine.

Parts Required

Qty. 1 of 18-32857-1 cotter pin for transom shift cable retention.

Qty. 3 of 18-21071-1 cotter pins for shift lever clevis pin and studs.

Owner Notification

USA and Canada Only: A letter will be sent to the registered owner of the affected Mercury MerCruiser engine. The letter will reference Service Bulletin 2003-09 and will advise the owner to stop operating their boat and return it to the selling dealer, or any authorized Mercury MerCruiser service dealer, for this inspection and replacement of the shift plate cable retention hairpin cotters with cotter pins.

Warranty

Mercury Marine will credit the dealer for the cost of labor.

Submit a warranty claim through your normal warranty-processing channel, listing:

- MerCruiser serial number
- Parts as listed in this bulletin
- 0.5 hour Labor
- Flat Rate Code and Labor - EXCP 0.5
- Part Code - 924
- Failure Code - 40

Old Part or Parts

- **USA and Canada:** Scrap part.
- **International:** Follow instructions issued by your Marine Power International office or by your distributor.

THE INFORMATION IN THIS DOCUMENT IS CONFIDENTIAL AND PROTECTED BY COPYRIGHT AND IS THE PROPERTY OF MERCURY MARINE.

This document is provided for the sole and exclusive use of the original recipient as prescribed by Mercury Marine and may not be distributed or copied, digitally or otherwise, without the prior written consent of Mercury Marine.