

WARRANTY INFORMATION

SERVICE INFORMATION

Official Notification U.S. Federal Boat Safety Act

496 MAG / 8.1S Fuel Line and Fuel Rail Outlet Plug Connections

Models

MCM 496 MAG Sterndrive Engines, S/N 0M025000 - 0M061418

MCM 496 MAG HO Sterndrive Engines, S/N 0M025000 - 0M061418

MIE 8.1S Horizon Inboard Engines, S/N 0M025000 - 0M061418

MIE 8.1S HO Inboard Engines, S/N 0M025000 - 0M061418

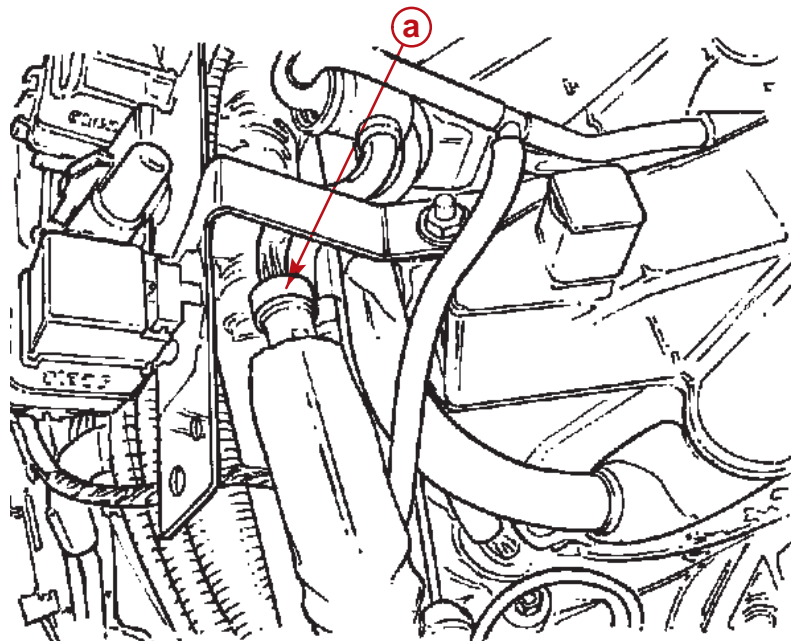
Situation

The possibility exists that the fuel line, p/n 32-862359, and/or fuel rail outlet plug, p/n 22-862360 1, may not be properly connected to the fuel rail.

Inspection

Fuel Line Connection

The fuel line is connected to the fuel rail on the port side of the engine (see following illustration). Follow the steps listed below to check the integrity of this connection:

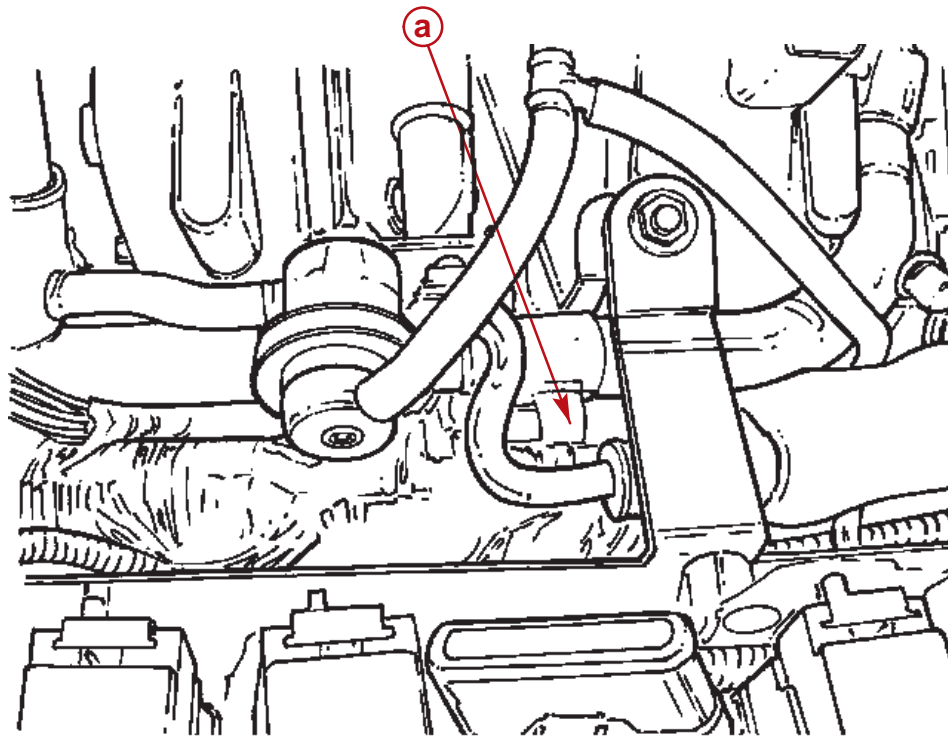


a - Fuel Line Connection

1. Remove the engine cover.
2. Slide protective sleeve back on fuel line.
3. Pull on the fuel line near the connection point with an approximate force of 10 lbf. (44 N). There will be some movement due to the design of the connection. If the fuel line does not become separated from the fuel rail when force is applied, the fuel line is connected and sealed properly.
4. If the fuel line does become separated from the fuel rail, reassemble by pushing the fuel line on the fuel rail until a “click” is heard and the requirements in step 3 above for checking the integrity of the connection are satisfied.
5. When all steps have been completed, check for any leaks at this connection.

Fuel Rail Outlet Plug

The fuel rail outlet plug must also be inspected. This plug is also connected to the fuel rail on the rear port side of the engine, above the intake manifold and below the fuel line connection (see following illustration). Follow the steps listed below to check the integrity of this connection:



a - Fuel Rail Outlet Plug Connection

1. Remove the 3-1/2 in. (89 mm) long protective sleeve from the fuel rail outlet plug.
2. Using pliers on the flat surface of the plug, pull on the outlet plug near the connection point with an approximate force of 10 lbf. (44 N). There will be some movement due to the design of the connection. If the outlet plug does not become separated from the fuel rail when force is applied, the outlet plug is connected and sealed properly.
3. If the outlet plug does become separated from the fuel rail, reassemble by pushing the outlet plug on the fuel rail until a “click” is heard and the requirements in step 2 above for checking the integrity of the connection are satisfied.

4. When the inspection is complete check for any leaks at this connection.
5. The protective sleeve must be replaced on the fuel rail outlet plug.
6. Replace engine cover.

USA and Canada Only: When an engine is registered at Mercury Marine, the serial number will be checked to see if this recall has been done. If our records do not show that the recall was done, the customer will be contacted by mail, telling them to have it done by a dealer.

Warranty

Submit warranty claim through your normal warranty-processing channel.

Warranty Code and Labor: MF15 0.5 Hours.

Uniform Failure Observation (UFO) Code: 736 - 40