

TO: SERVICE MANAGER TECHNICIANS
PARTS MANAGER

No. 96-16

Hurth V-Drive Output Flange Torque

Models

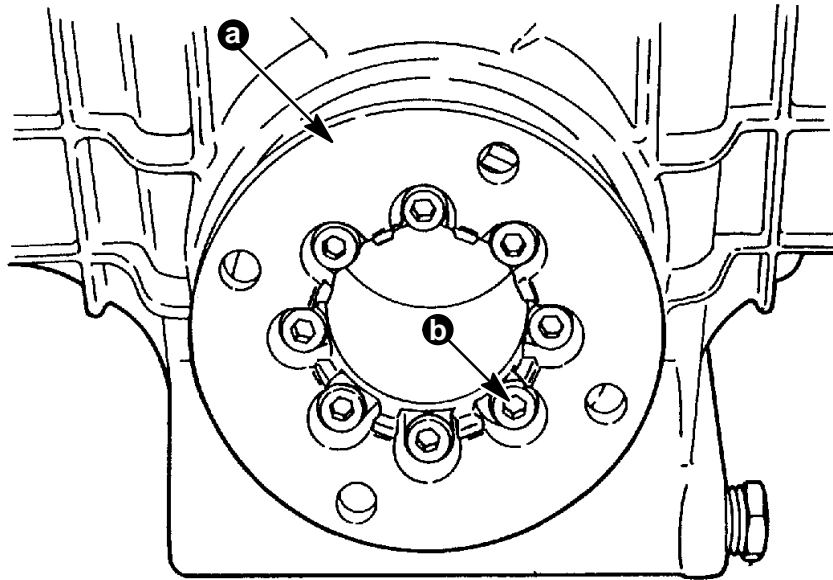
All applications of the Hurth 630 V-Drive Transmission.

Situation

The output flange torque figures listed in #12,#15,#16, #19 and #21 Service Manuals are incorrect. The torque for the output flange is **listed** as 14 lb. ft. (18 N.m).

Correction

The output flange should be installed on the output shaft. Apply Loctite Type A to the threads of the bolts and **torque to 28 lb. ft. (36 N.m)**.



73013

b - Flange
c - Bolts (8)