

TO: SERVICE MANAGER  MECHANICS   
PARTS MANAGER

**No. 93-21**

## A. POSSIBLE WATER LEAKAGE PAST TRANSOM MOUNTING STUDS ON ALPHA AND BRAVO TRANSOM ASSEMBLIES.

### Models Affected

Alpha transoms between 0F053603 and 0F096561.

Bravo transoms between 0F047455 and 0F114007.

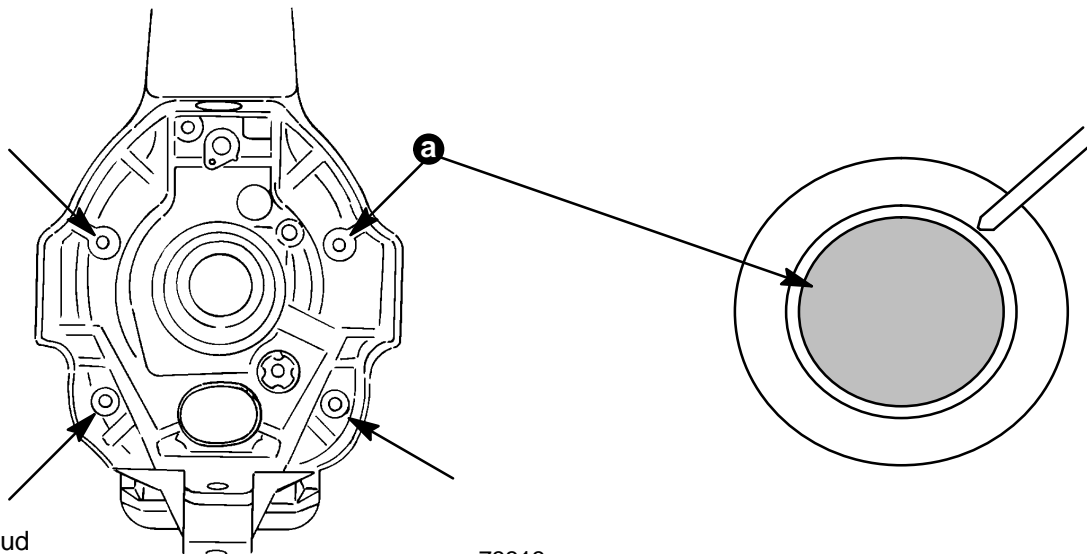
### Description

Some Alpha and Bravo transom assemblies may have been built with insufficient sealant on the threads of one or more of the transom mounting studs. Studs with insufficient sealant on the threads could allow a small amount of water to weep past the threads and enter the boat over time.

### Procedure

In the event that a small amount of water is entering the boat and leakage past the studs is suspected, repairs can be easily accomplished. Obtain Loctite 290 sealant locally or through your normal parts distribution by ordering P/N 92-806495A1.

Turn the drive as far to the starboard as possible and apply approximately two drops of sealant to the two exposed studs on the port side of the transom. Apply the sealant to the top of the threaded area so the sealant can wick around the circumference of the stud. (See figure 1.) Turn the drive to port and apply sealant to the two starboard studs.



a - stud

**Figure -1**

73313

Let the sealant cure for a minimum of three hours before putting the boat back into the water.

If the boat has been in the water for an extended time, clean the ends of the studs with Loctite N Primer obtained locally or through your normal parts distribution by ordering P/N 92-806497A1.

### Labor

Labor Code EXCP .5 Hr.