

TO: SERVICE MANAGER  TECHNICIANS   
PARTS MANAGER

**No. 97-2**

## MerCruiser MCM/MIE Inline Diesel Heat Exchanger End Cover Torque

### Models

MCM/MIE D3.0L Serial Numbers 0D725460, D3.6L Serial Numbers 0F306930 and D4.2L Serial Numbers 0F450250 and above on MerCruiser Diesels.

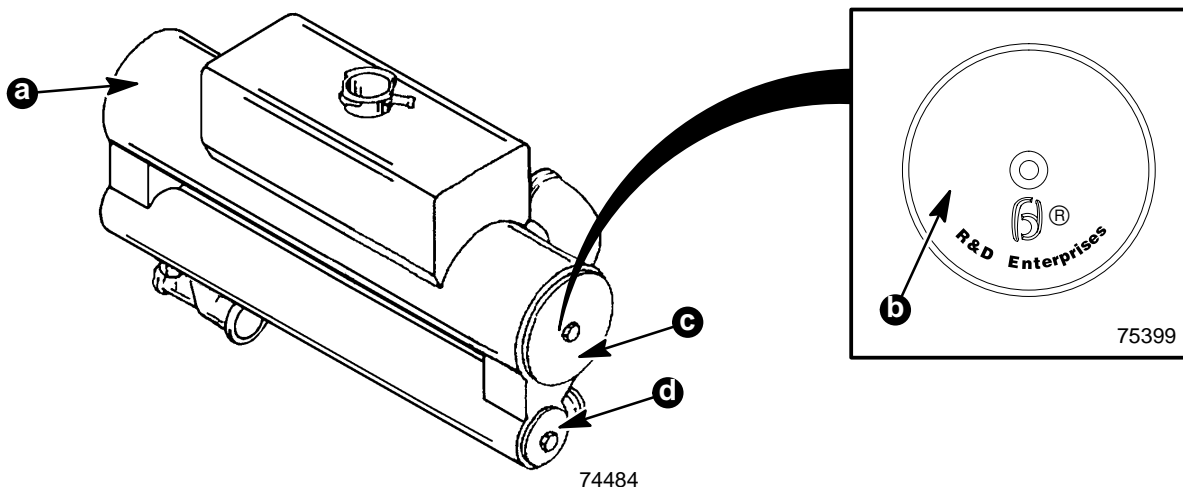
### Situation

The Heat Exchanger has changed to a **P/N 807261**: on the above model engines. This change includes new cast end covers on the main tank, which can be identified by the "R&D Enterprises ©" cast into the end cover. This cast cover uses a lower torque rating than previously required on the stamped end plates that were used on the heat exchanger main tank, **P/N 806830T**. The torque specification for both heat exchangers are as follows:

### Torque Specifications:

DESCRIPTION			TORQUE		
Part Number	Heat Exchanger	Cover/Plate Location	Lb. In.	Lb. Ft.	N-m
807261	New-Style, Cast End Covers	Main Tank (Upper)	120-132		14-15
		Engine Oil Cooler (Lower)	108-120		12-14
806830T	Previous-Style, Stamped End Plates	Main Tank (Upper)		16	22
		Engine Oil Cooler (Lower)	108-120		12-14

**IMPORTANT:** This new heat exchanger P/N 807261 will not backfit on engines below the serial numbers listed above.



- a - Heat Exchanger
- b - Cast End Cover
- c - Stamped End Plate
- d - Engine Oil Cooler End Plate