



Service Bulletin

Bulletin No. 2008-08
OEM No. 2008-07

Circulate to: Sales Manager Accounting Service Manager Technician Parts Manager

Official Recall Notification U.S. Federal Boat Safety Act - Shift Link 2.5 Liter

Models Affected

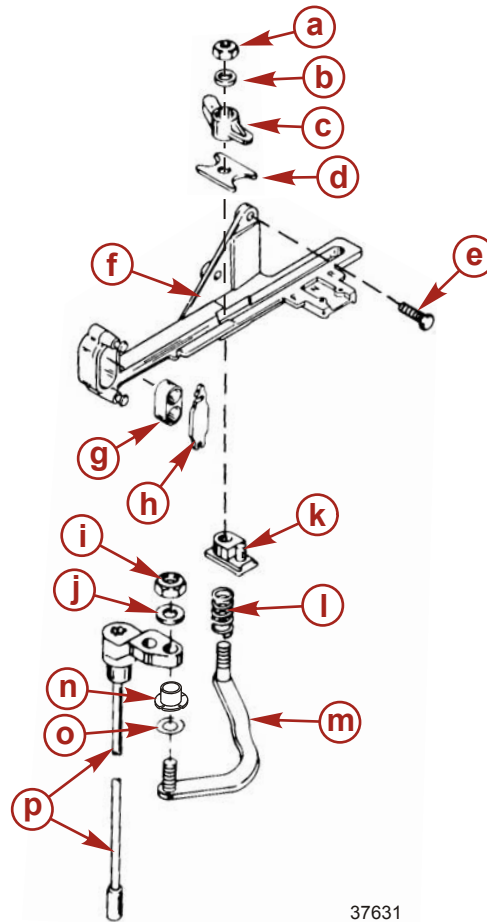
Models Covered	Serial Number
Mercury/Mariner 135/150/175 OptiMax 2.5 Liter 150/200 EFI 2.5 Liter	1B692800-1B719209

THE INFORMATION IN THIS DOCUMENT IS CONFIDENTIAL AND PROTECTED BY COPYRIGHT AND IS THE PROPERTY OF MERCURY MARINE.

This document is provided for the sole and exclusive use of the original recipient as prescribed by Mercury Marine and may not be distributed or copied, digitally or otherwise, without the prior written consent of Mercury Marine.

Situation

Some shift links may have insufficient weld penetration between the link and shift cable and upper shift shaft attaching studs. This could result in possible stud breakage and loss of shift control.



37631

- a** - Shift latch nut - tighten until one thread on shift link stud is exposed above nut
- b** - Shift latch washer
- c** - Shift latch
- d** - Wear plate
- e** - Anchor bracket screw (3)
- f** - Anchor bracket
- g** - Shift and throttle cable barrel cup
- h** - Barrel latch
- i** - Shift link nut to upper shift shaft – tighten and back off 1/4 turn
- j** - Shift link washer to upper shift shaft
- k** - Guide block
- l** - Guide block spring
- m** - Shift link
- n** - Shift link bushing to upper shift shaft
- o** - Wave washer
- p** - Upper shift shaft

Description	Nm	lb-in.	lb-ft
Anchor bracket screw (3)	18	160	

THE INFORMATION IN THIS DOCUMENT IS CONFIDENTIAL AND PROTECTED BY COPYRIGHT AND IS THE PROPERTY OF MERCURY MARINE.

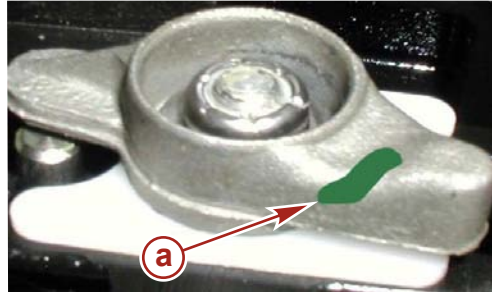
This document is provided for the sole and exclusive use of the original recipient as prescribed by Mercury Marine and may not be distributed or copied, digitally or otherwise, without the prior written consent of Mercury Marine.

Dealer/OEM Inventory

Dealer/OEM inventory of affected engines should be inspected and/or corrected prior to customer delivery.

Rework Identification

If there is a green or white paint dot or mark on the shift cable latch, the engine has already been reworked. No further action is required.



37913

a - Paint dot or mark on shift latch

Inspection

1. Remove the top cowl.
2. Locate the shift cable latch on the anchor bracket on the port side of the engine.
3. Check for a paint mark on the shift latch. If a paint mark is present, the engine has already been reworked and no further action is required.
4. If no paint mark is present on the shift latch, shift the engine into reverse while rotating the propeller shaft. Shifting into reverse will make it easier for inspection and/or removal of the shift link.
5. Using a mirror and flashlight and/or feeling with your fingers, determine if the weld on the shift link directly below the stud is good or bad. See instructions with photo below.
6. If a good weld is found, no further action is required.



37914

a - A good weld will appear, or feel, as a raised bump directly below the stud on the bottom side of the shift link

b - A bad weld will appear, or feel, indented directly below the stud on the bottom side of the shift link

Correction

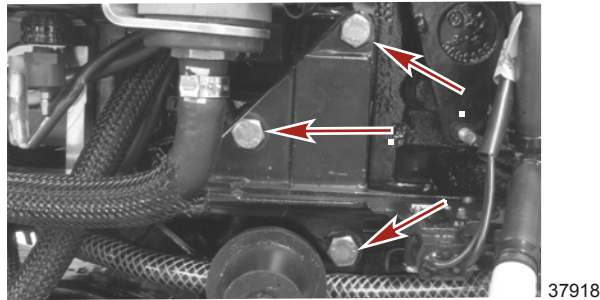
If a bad weld is found, replace the shift link using the following steps:

THE INFORMATION IN THIS DOCUMENT IS CONFIDENTIAL AND PROTECTED BY COPYRIGHT AND IS THE PROPERTY OF MERCURY MARINE.

This document is provided for the sole and exclusive use of the original recipient as prescribed by Mercury Marine and may not be distributed or copied, digitally or otherwise, without the prior written consent of Mercury Marine.

- Remove the port bottom cowl. See the appropriate service manual for details.
- Disconnect the throttle cable from the throttle arm and remove the cable barrel from the anchor bracket.
- Disconnect the shift cable and remove the cable barrel from the anchor bracket.
- Remove the nut and washer that retains the shift latch and remove the latch and wear plate. Retain for reassembly.
- Remove the three screws that retain the shift and throttle anchor bracket to the cylinder block and remove the bracket.

NOTE: The shift switch does not need to be removed or disconnected. Gently hang the bracket by the shift switch wires.



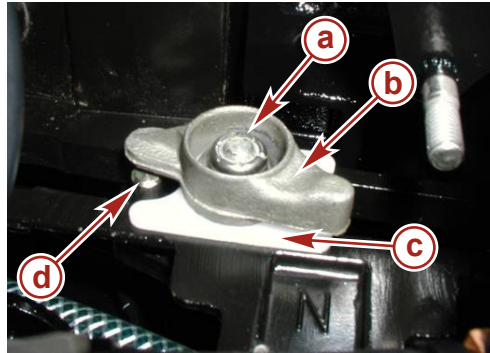
Anchor bracket screws

- Remove the guide block and spring from the shift link and retain for reassembly.
- Remove the nut and washer that retains the shift link to the upper shift shaft and remove the shift link.
- Remove the bushing and wave washer from the shift link and retain for reassembly.
- Reassemble in the order shown on page 2.
- Tighten the locknut that retains the shift link to the upper shift shaft assembly and back off 1/4 turn from snug.
- Place the guide block spring and guide block over the stud on the shift link.
- Fasten the anchor bracket to the cylinder block and tighten to the specified torque. Make sure the guide block is positioned in the anchor bracket slot with the pin facing forward.
- Install the wear plate and shift latch.
- Tighten the shift latch nut until one thread on the shift link stud is exposed above the nut.
- Mark the shift latch with a green or white paint dot to show that it has been reworked.

THE INFORMATION IN THIS DOCUMENT IS CONFIDENTIAL AND PROTECTED BY COPYRIGHT AND IS THE PROPERTY OF MERCURY MARINE.

This document is provided for the sole and exclusive use of the original recipient as prescribed by Mercury Marine and may not be distributed or copied, digitally or otherwise, without the prior written consent of Mercury Marine.

Description	Nm	lb-in.	lb-ft
Anchor bracket screw (3)	18	160	



37921

- a** - Shift latch nut - one thread exposed
- b** - Shift latch

- c** - Wear plate
- d** - Guide block pin

Parts Required

Qty.	Description	Part Number
1	Shift link	67073A03

Owner Notification

All registered owners within the affected serial number range will receive a letter from Mercury Marine. This letter will explain the situation and request that they contact their local dealer to schedule an appointment to have the shift link inspected and/or replaced.

Warranty

Mercury Marine will credit the dealer for the cost of parts and labor. Complete a Parts and Accessories warranty claim listing:

- Outboard engine serial number
 - Labor: 0.2 hours for inspection only
 - Warranty flat rate code: SB02 for inspection of shift link
- or
- Labor: 1.0 hour for inspection and replacement of shift link
 - Warranty flat rate code: SB10 for inspection and replacement
 - Qty. 1, shift link part number 67073A03
 - Part code: 223
 - Failure code: 40

US AND CANADA

Complete and process the claim via MercNET or return a warranty claim form.

International

Follow instructions issued by the Marine Power International office or by an authorized Marine Power Distributor.

THE INFORMATION IN THIS DOCUMENT IS CONFIDENTIAL AND PROTECTED BY COPYRIGHT AND IS THE PROPERTY OF MERCURY MARINE.

This document is provided for the sole and exclusive use of the original recipient as prescribed by Mercury Marine and may not be distributed or copied, digitally or otherwise, without the prior written consent of Mercury Marine.

Official Notification of Federal Boat Safety Act Recall

Dear Mercury Outboard Owner,

Thank you for your purchase of a Mercury 2.5 Liter OptiMax or EFI outboard engine. Mercury Marine is dedicated to providing superior product reliability and customer satisfaction. As part of our commitment to superior customer satisfaction, we have determined that it is necessary to have your engine shift linkage inspected to ensure the reliability of your Mercury Outboard.

What is the condition?

Mercury Marine has identified a potential for insufficient weld penetration between the shift link bracket and shift cable attaching studs. This could result in possible stud breakage and loss of shift control, which could result in personal injury.

What will Mercury Marine do?

Mercury Marine (through an authorized dealer) will inspect, and if necessary, replace the shift link without charge.

What should you do?

Please contact your authorized Mercury Outboard dealer and mention Service Bulletin 2008-08 to schedule an appointment to have your engine shift link inspected and replaced (if necessary). To locate your nearest authorized Mercury Outboard dealer, please use the Dealer Locator in the Mercury Marine website: <http://northamerica.mercurymarine.com/qualifiedservice/>. If you do not have access to the internet, please call Mercury Outboard Customer Service at 1-920-929-5040 to locate your nearest authorized Mercury Outboard dealer.

Please present this notice to your dealer when you bring your boat/engine in for service appointment.

What if you have other questions or if you no longer own this engine?

Please contact your Mercury Outboard dealer or call Mercury Outboard Customer Service at 1-920-929-5040 between 7:30 a.m. and 5:30 p.m., CST.

We have sent this notice in the interest of your continued satisfaction with our product, and we sincerely regret any inconvenience this may cause you.

Thank you for boating with Mercury Marine.

Mercury Marine Service