

Warranty Information

 Service Information

Bulletin No. 2003-15

 Parts Information

OEM No. 2003-06

 Circulate to:
 Sales Manager
 Accounting
 Service Manager
 Technician
 Parts Manager

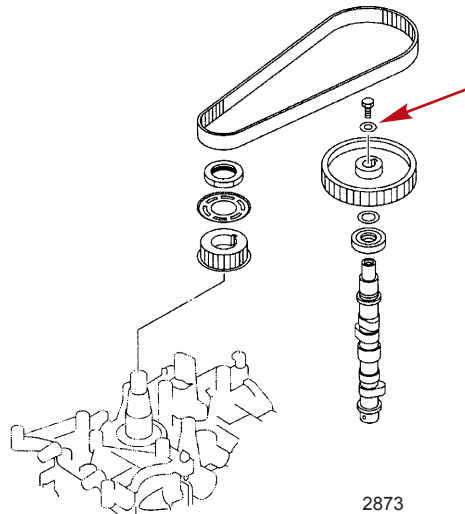
FourStroke 9.9/15HP Camshaft Washer Failure

Models Affected

Model	Serial Number or Year
Mercury/Mariner 9.9/15 HP FourStroke Outboards	2004 Model Year 0T849201 through 0T908966

Situation

The camshaft pulley washer on the affected outboards has the possibility of developing a crack. The failure of this washer could cause the camshaft pulley to become loose and allow the valves to contact the piston.



Owner Notification

A letter will be sent to the registered owner of the affected Mercury Outboard. The letter will reference Service Bulletin 2003-15 and will advise the owner to return their engine to the selling dealer, or any authorized Mercury outboard service dealer, for the replacement of the camshaft pulley washer.

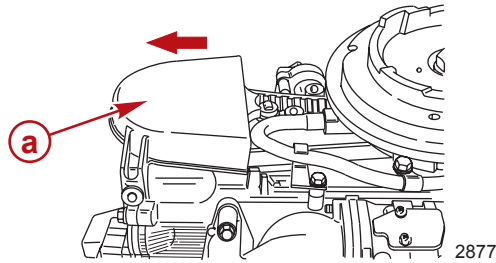
Correction

Installation of a replacement washer (part number 12-825498) is required.

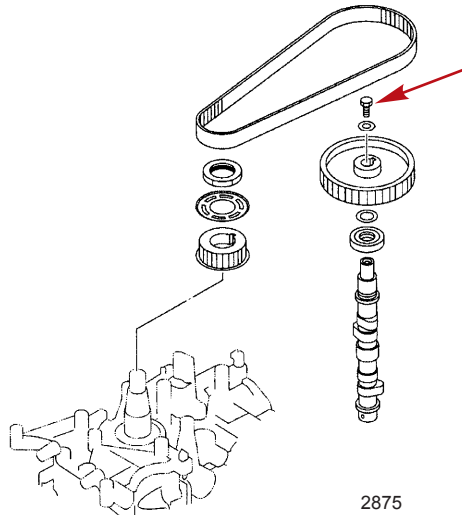
THE INFORMATION IN THIS DOCUMENT IS CONFIDENTIAL AND PROTECTED BY COPYRIGHT AND IS THE PROPERTY OF MERCURY MARINE.

This document is provided for the sole and exclusive use of the original recipient as prescribed by Mercury Marine and may not be distributed or copied, digitally or otherwise, without the prior written consent of Mercury Marine.

1. Remove driven gear cover.



2. Remove camshaft driven gear bolt and washer.



3. Install new washer and torque the driven gear bolt to specification.

Description	Nm	lb. in.	lb. ft.
Driven gear bolt	13	115	

4. Reinstall the driven gear cover.

Parts

Qty.	Description	Part Number
1	Camshaft retaining washer	12-825498

Repair Identification

Units reworked at the factory will be identified by a green dot on the flywheel.

Warranty

Mercury Marine will credit the dealer for the cost of parts and labor until December 1, 2006. Complete warranty claim listing:

- Outboard serial number
- Qty. 1 P/N 12-825498 camshaft retaining washer
- 0.5 hour labor

THE INFORMATION IN THIS DOCUMENT IS CONFIDENTIAL AND PROTECTED BY COPYRIGHT AND IS THE PROPERTY OF MERCURY MARINE.

This document is provided for the sole and exclusive use of the original recipient as prescribed by Mercury Marine and may not be distributed or copied, digitally or otherwise, without the prior written consent of Mercury Marine.

- Warranty Flat Rate Code SB05
- Part Code 328
- Failure Code 00
- US & Canada - Tag and hold parts for 30 days after the warranty credit is received.
- International - Follow instructions issued by Marine Power International office or by your distributor.

THE INFORMATION IN THIS DOCUMENT IS CONFIDENTIAL AND PROTECTED BY COPYRIGHT AND IS THE PROPERTY OF MERCURY MARINE.

This document is provided for the sole and exclusive use of the original recipient as prescribed by Mercury Marine and may not be distributed or copied, digitally or otherwise, without the prior written consent of Mercury Marine.