

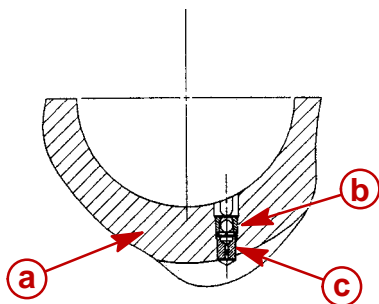
- A. Bleed Check Valve Assembly – 3 Cylinder Models 70–75–80–90 and 4 Cylinder Model 100
- B. Service/Repair of Electrical Test Equipment
- C. New Powerhead Stand – P/N 91–812549 3 Cylinder Models 70–75–80–90 and 4 Cylinder Models 100–115

A. BLEED CHECK VALVE ASSEMBLY – 3 CYLINDER MODELS 70–75–80–90 AND 4 CYLINDER MODEL 100

There have been reports of the nylon ball burning out of crankcase bleed check valves (P/N 21–42657A1) on the above listed outboards. When this occurs, the outboard idles poorly and fouls spark plugs at low RPM. Should it be determined that the bleed check valve is at fault, replace the check valves with Bleed Check Valve Restrictor Kit P/N 22–814204A1. (Figure 1) When installed according to instructions the restrictor will prevent the check valve nylon ball from burning out.

Future production outboards, starting with Serial Number 0C123214, of the above models will have the restrictor installed.

Bleed Check Valve Restrictor Kit P/N 22–814204A1



- a - Crankcase P/N 977-8949-1
- b - Check Valve Assembly P/N 21-42657A1
- c - Valve Restrictor P/N 22-814204

Figure 1. Check Valve/Restrictor Assembly

B. SERVICE/REPAIR OF ELECTRICAL TEST EQUIPMENT

A reminder, ALL electrical test equipment must be returned to the vendor for service repair and/or the vendor must be contacted for replacement parts. The addresses and phone numbers of the vendors are as follows:

Test Equipment

Timing Light (self-contained)	91–99379
Multi-Meter/DVA	91–99750

Vendor: Electro-Specialties, Inc.
3148 South Chrysler
Tucson, AZ 85713
Telephone: (602) 747–2914

Test Equipment

Tach/Dwell Meter	91–59339
Ignition Analyzer	91–76032

Vendor: Merc-O-Tronic Instruments
215 Branch Street
Almont, MI 48003
Telephone: (313) 798–8555

Test Equipment

Merctach Digital Tachometer	79–17391A1
-----------------------------	------------

Vendor: Eder Industries, Inc.
2250 W. Southbranch Blvd.
Oak Creek, WI 53154
Telephone: (414) 761–0400

Any electrical test equipment received in Fond du Lac, shall be returned to the sender.

**Information
Changed
Refer to
Service
Bulletin 95-13**

**C. NEW POWERHEAD STAND – P/N 91-812549
3 CYLINDER MODELS 70-75-80-90 AND 4
CYLINDER MODELS 100-115**

A new powerhead stand (Figure 2) is now available for the above listed outboards. This powerhead stand was designed to hold the powerhead and/or crankshaft assembly in a vise when making service repairs.

Powerhead Stand

P/N 91-812549

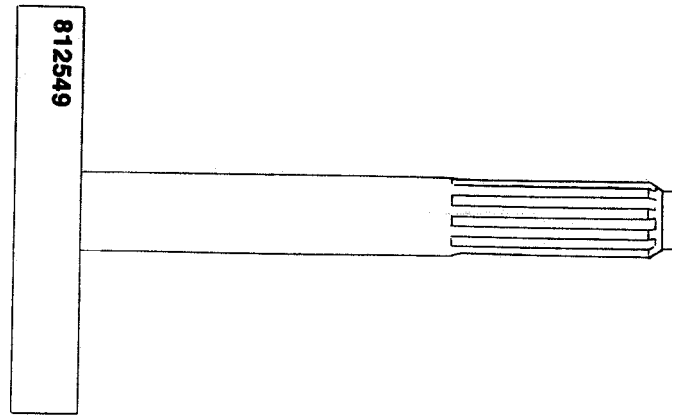


Figure 2.