

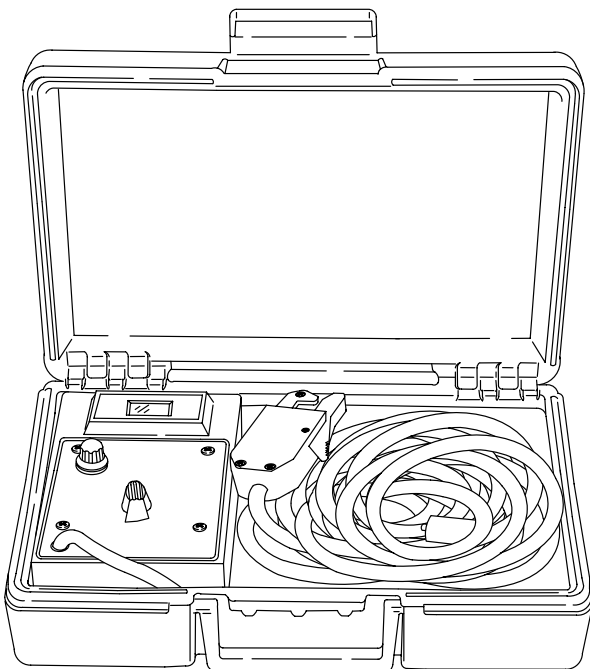
- A. Digital Tachometer - P/N 79-17391A1
- B. Maximum Timing - 1988 Model 70-75-80 HP
- C. Bushing - Oil Pump Driven Shaft - V6 Outboards

A. DIGITAL TACHOMETER - P/N 79-17391A1

A new Digital Tachometer is now available for service. This tachometer can be used on both 2 cycle and 4 cycle engines, battery ignition or CD ignition. Operating instructions are available on the inside of the top cover of the carrying case.

This new digital tachometer (Figure 1) is extremely accurate in comparison to anything Mercury Marine has had as a service tachometer previously. It will be a real asset in accurately setting up engines and also as a trouble-shooting tool.

Digital Tachometer \$199.95



57425

Figure 1.

B. MAXIMUM TIMING - 1988 MODEL 70-75-80 HP

Due to the change incorporating the "top hat" style cylinder heads on the 1988 model 70-75-80 HP outboards, the maximum timing is as follows:

Max. Timing @ 5000 RPM 26° BTDC
@ Cranking Speed 28° BTDC

This change for the 1988 models will be added to the service manual.

C. BUSHING - OIL PUMP DRIVE SHAFT - V6 OUTBOARDS

Numerous requests have been received for a replacement brass bushing for the oil pump driven shaft. This brass bushing is pressed into the V6 cylinder blocks. (Figure 2)

The bushing is now available in stock and can be ordered under part number 23-99448.

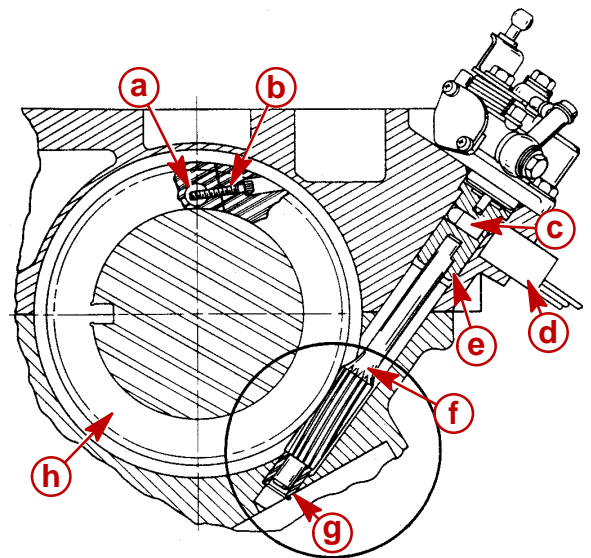


Figure 2.

- a - Lock Barrel
- b - Retaining Screw
- c - Magnet
- d - Motion Sensor
- e - Coupler Bushing
- f - Driven Gear
- g - Bushing P/N 23-99448
- h - Drive Gear