

## High Oil Consumption – 3.0 Litre EFI V6

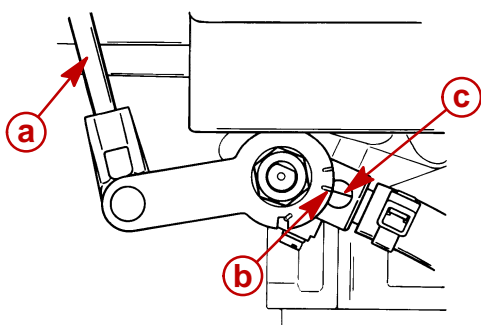
### Models Affected

MERCURY/MARINER  
1995 thru 1998, 3.0 Litre EFI V6  
S/N 0G129222 thru S/N 0G760300

There have been reports of high oil consumption and excessive smoking at lower speeds on 3.0 Litre EFI Models. Incorrect oil link rod geometry between 1200 to 3200 RPM could cause an incorrect oil to fuel ratio.

### INSPECTION/CORRECTION

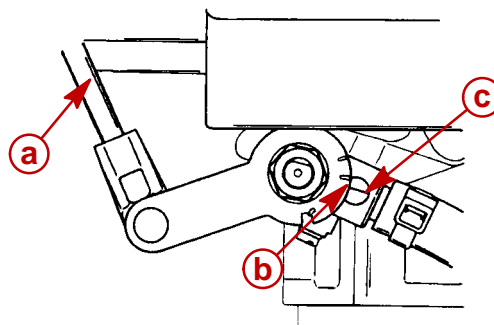
When an engine comes in for service, or before being sold inspect the engine for standard oil link rod adjustment as outlined in section 2C of service manual (P/N 90-822900R3). Removing the port lower cowl and shift anchor assembly will be necessary to check for proper oil pump cam location. Once the standard setting has been made, lengthen the oil link rod 3 full turns. This new setting will correct the oil link rod geometry, and should improve the oil consumption.



51535

#### Standard Setting

- a** - Link Rod
- b** - Alignment Mark
- c** - Casting Mark



51535

#### New Setting

## REPAIR IDENTIFICATION

FACTORY IDENTIFICATION: Engines reworked at the factory will be identified by an oil link rod assembly with blue plastic ends.

DEALER IDENTIFICATION: After adjusting the oil link rod, mark the rod with white paint.

## WARRANTY

The normal warranty applies.

Complete a warranty claim listing:

- Outboard serial number
- One Half (0.5) hour labor
- Flat rate code NJC
- Failure code 418-00

US & CANADA – Complete and process the warranty claim via Midas or return a warranty claim form.

INTERNATIONAL – Follow instructions issued by Marine Power International office or by your distributor.