

Official Notification Federal Boat Safety Act Manual Starter Interlock Lever Replacement 30/40, and 55/60 Marathon/SeaPro

Mariner and Mercury

1994 and 1995 Manual Starter Models 30/40, and 55/60 Marathon/SeaPro.

Serial Number

US 0G059513 thru 0G149879

Outboards listed, require replacement of the starter interlock lever. Due to a defect in material, the spring portion of the interlock lever has the potential to break off and allow the engine to start with the outboard shifted into gear.

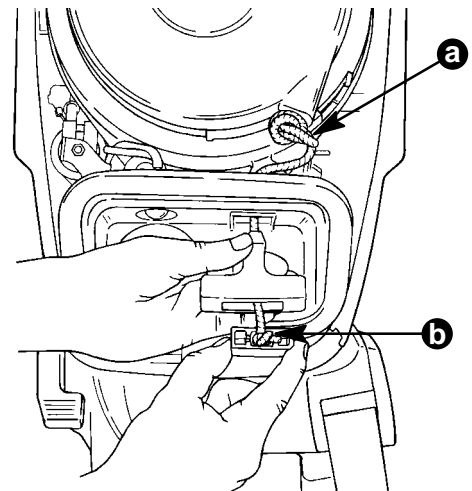
OWNER NOTIFICATION (US AND CANADA):

A combination letter/claim will be sent to every registered owner of an affected outboard. The letter will advise the owner to return their outboard to the selling dealer or to any authorized dealer for warranty replacement of the starter interlock lever. A copy of the letter/claim is attached to this service bulletin.

CORRECTION:

1. Place gear shift lever into NEUTRAL.
2. Set lanyard stop switch to OFF position.
3. Slowly pull the starter rope out from the handle rest approximately 2 feet (60 cm) and tie an overhand knot between the rewind housing and the handle rest (Figure 1).
4. Remove retainer from rope handle and untie the rope handle knot.

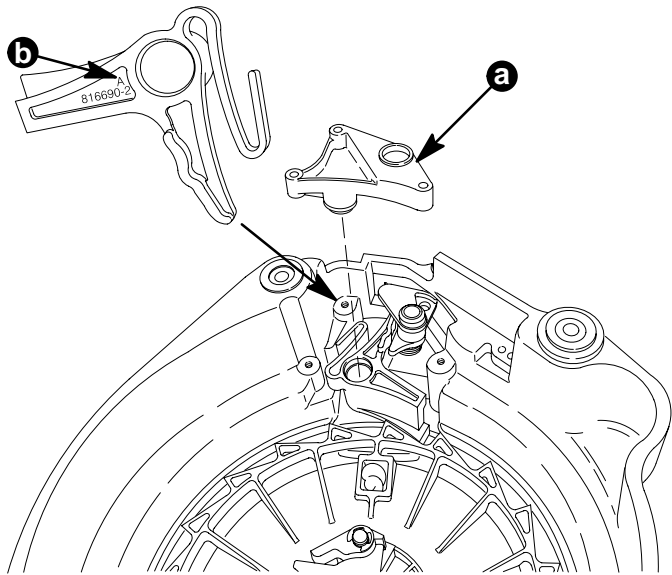
5. Remove the rewind starter.



- a - Overhand Knot
- b - Retainer

Figure 1. Rewind Starter Removal.

6. Remove cam retainer (Figure 2).
7. Replace Interlock Lever with new lever (p/n 816690--2) marked with a "A".

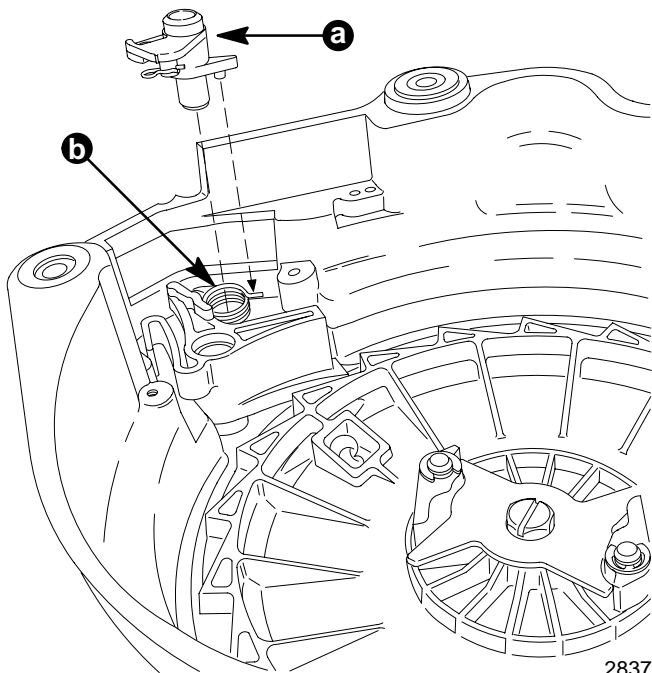


28374

- a - Cam Retainer
- b - Interlock Lever "A" Mark

Figure 2. Interlock Lever Installation.

8. Position cam lever spring into recess of starter housing and re-install cam lever (Figure 3).



28375

- a - Cam Lever
- b - Cam Lever Spring

Figure 3. Cam Lever/Spring Installation

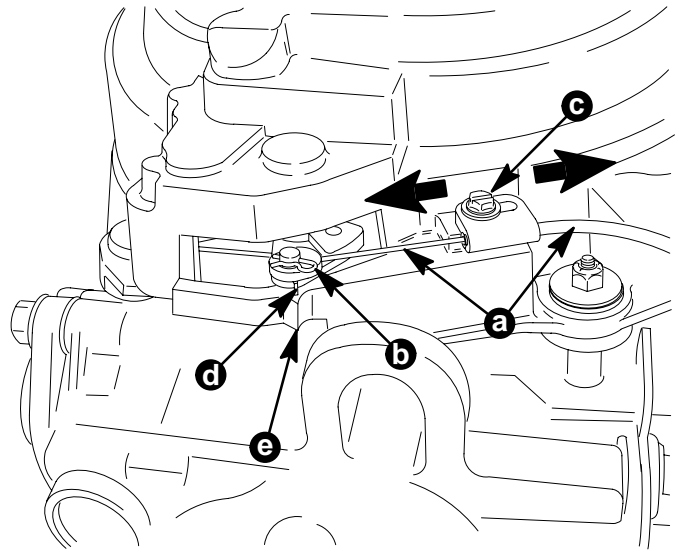
9. Re-install cam retainer and secure with (3) screws.
10. Assemble the rewind starter onto the engine.

11. Thread starter rope thru the hole in the handle rest and install the rope handle. Untie the over-hand knot.

STARTER INTERLOCK CABLE ADJUSTMENT

IMPORTANT: Lubricate core wire of interlock cable with light oil prior to making adjustments.

1. While rotating the propeller shaft, place the gear shift lever into REVERSE.
2. Return the gear shift lever to NEUTRAL without going past neutral detent.
3. Place end of interlock cable over pin of cam lever and secure with hair pin (Figure 4.)
4. Secure interlock cable to starter housing using adjusting screw. Do not tighten screw at this time.
5. Adjust interlock cable to align raised mark of cam lever with pointer of rewind housing.



28376

- a - Interlock Cable
- b - Hair Pin
- c - Adjustment Screw
- d - Raised Mark of Cam Lever
- e - Pointer of Rewind Housing

Figure 4. Starter Interlock Cable Adjustment

6. Tighten cable adjustment screw and check adjustment after 4 or 5 shift cycles.

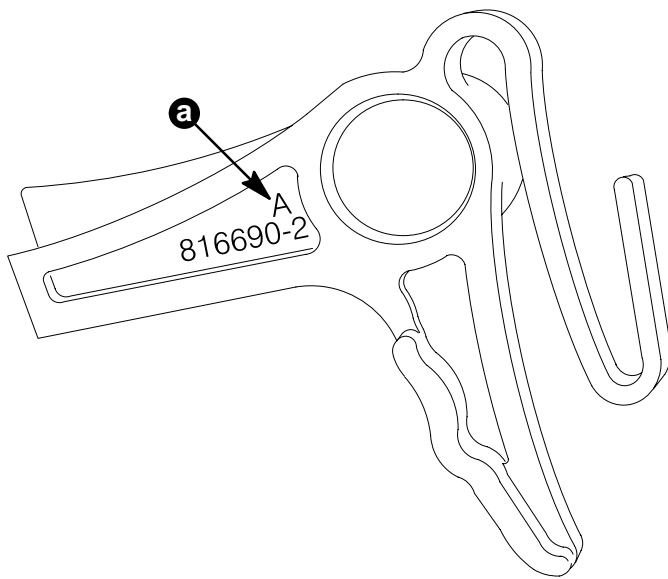
REWORK/PART IDENTIFICATION:

Outboards within the serial number range listed that have been reworked at the factory are identified by:

- A hand written letter “C” applied on the outboard serial number label of the shipping carton.
- A white slash mark painted on the top of manual starter housing.

DEALER SERVICE STOCK:

Inspect all p/n 816690--2 starter interlock levers in your service stock. Return with a warranty claim, any interlock levers that do not have the cast mark “A” above the part number on the lever (Figure 5). Interlock levers in your stock that have the cast mark “A” are good serviceable parts.



28377

a - Interlock Lever “A” Mark

Figure 5. Good Interlock Lever

DEALER OUTBOARD INVENTORY:

Affected outboards in dealer inventory **MUST BE** reworked prior to customer delivery.

WARRANTY:

Complete a warranty claim listing:

- Outboard serial number.
- Qty. 1 p/n 816690--2 Interlock Lever
- One (1) hour labor.
- Labor Rate Code: OS11
- Failure Code: 315 40

USA and Canada: Return interlock levers with the warranty claim.

International: Hold interlock levers for inspection/disposal by a Marine Power International technical representative.

Dear Owner,

Our records indicate that you are the owner of a Mercury Outboard, which is included in a recall being performed in compliance with the Federal Boat Safety Act for your protection.

These outboards potentially could have a starter interlock failure which could allow the engine to start with the outboard shifted into gear.

⚠ WARNING

DO NOT OPERATE YOUR BOAT UNTIL YOUR DEALER HAS EXAMINED AND/OR REPAIRED THE PRODUCT.

What You Should Do

Contact your authorized Mercury or Mariner Outboard dealer, preferably the one who sold you the outboard. Make an appointment to have this work done per Service Bulletin 94-15. Then, deliver your outboard and this letter to your dealer at the appointed time. The reverse side of this letter is a claim form that your dealer needs to send to us for reimbursement for the work done.

What We Will Do

We will reimburse the authorized Mercury or Mariner Outboard dealer for providing the necessary service. You will not be charged for this procedure.

We regret and sincerely apologize for any inconvenience this recall may have caused you. However, we have taken this action to insure your boating enjoyment and continued satisfaction with our product.

Sincerely,
Mercury Marine

Bob Kachelek

Bob Kachelek
Director, Outboard Service