

Improved Manual Tilt Assist - Speed/Effort – 1991-1993 40 thru 60

MARINER AND MERCURY

1991 thru 1993

Manual Tilt Assist Design III

US 0D134537 thru 0D182000

Belgium 9712527 thru 9741000

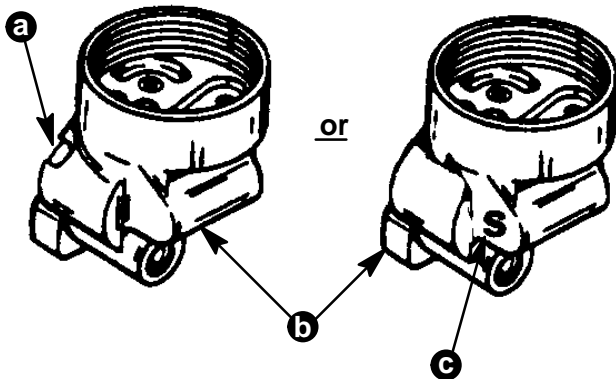
Product improvements have been made to the Design III (Figure 1 and 2) manual tilt assist to improve tilt rate speed/effort for the operator.

PROBLEM:

At temperatures below 50°:

- Unit Tilts at Slower Speed
- Effort needed to Tilt Outboard “Up” Increases

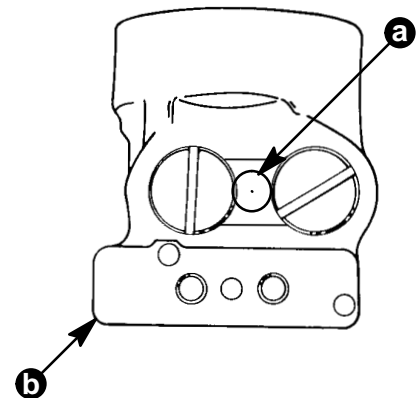
IDENTIFICATION:



- a - Upper Notch
- b - Valve Block Assembly
- c - Stamped “S”

Figure 1. Design III Manual Assist Identification

Design III Valve Body Uses Plug Over Slow Trim Valve



- a - Plug Over Slow Trim Valve
- b - Valve Block Assembly

Figure 2. Design III Manual Assist Identification

CORRECTION:

Installation of Manual Tilt Rate Update Kit P/N 824950 on the (**Design III Only**) manual assist will improve the tilt speed/effort in cold weather climate.

An improved transfer port cover plug, spool assembly and installation instructions are included in the kit.

Also, replace the original 10W-30 oil with Quicksilver Power Trim and Steering Fluid P/N 92-90100A12.

WARRANTY:

NOTE: The Manual Tilt Rate Update Kit is offered as a product improvement and is not covered by warranty to upgrade previous models.