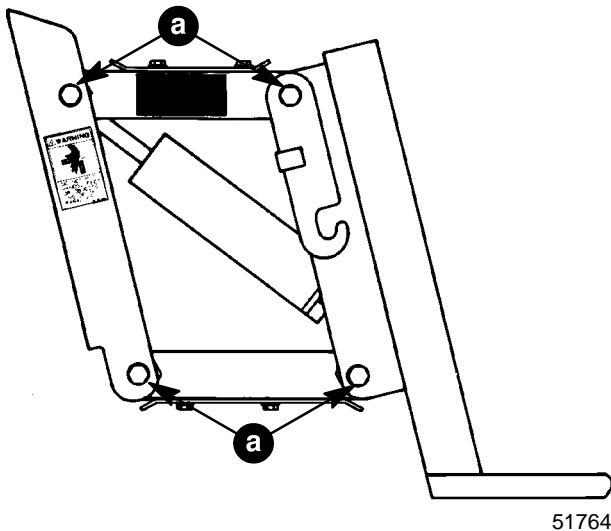


ParaLift P/N 818143A4 Pivot Bushing Replacement

All P/N 818143A-4
Quicksilver ParaLift Kits

All P/N 817698A-1
Replacement Pivot Arm Assembly

The original rubber pivot bushings installed in paraLift kits and replacement pivot arm assembly listed above may fail and cause the paraLift to bind when operated. A more durable solid pivot bushing is available for the early ParaLift kits. The new bushings are contained in the paraLift bushing kit p/n 23-847803A-1.



a - Pivot Bushing Locations

Figure 1. Quicksilver ParaLift

It is necessary to replace all the rubber bushings in any paraLift p/n 818143A-4 and any replacement pivot arm p/n 817698A-1 that is in stock or has been sold.

REPAIR PROCEDURE:

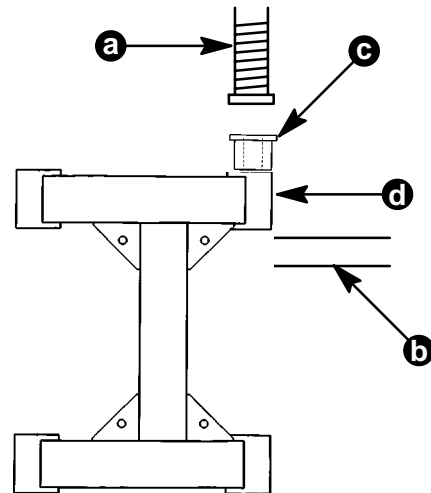
It is not necessary to remove the engine from the paraLift if the engine is suspended.

After the engine is properly suspended, remove one pivot arm assembly, replace the bushings, and reinstall the pivot arm assembly.

Repeat the same for the other pivot arm assembly.

A small press is required.

Instructions for replacing the bushings are included with the kit.



a - Press ram
b - Press Table
c - New Bushing
d - Pivot Arm

Figure 2. Bushing Installation

New ParaLift kit p/n 818143A-6 and replacement pivot arm assembly p/n 817698A-2 have the new bushing installed.

The previous supersedes to the new.

Previous	— SST →	New
818143A-4 ParaLift requires bushing kit		818143A-6 ParaLift with new bushings installed
817698A-1 Pivot Arm requires bushing kit		817698A-2 Pivot Arm with new bushings installed

CONTENTS OF P/N 23-847803A-1 BUSHING KIT:

Qty. 16 Bushings

Qty. 8 Bronze Sleeves

Instruction Sheet

WARRANTY:

Complete warranty claim listing:

Outboard serial number.

Qty. 1 P/N 23-847803A-1 Bushing Kit.

Three (3) hours labor for paraLift kit.

One half (0.5) hour for each replacement pivot arm assembly.

Warranty labor rate code NJC.

Failure code 929 59.

US and Canada - Return rubber bushings with claim.

International - Hold parts for inspection/disposal by a Marine Power International technical representative.