

Service Tools - 40 thru 200

P/N 91-821709	Spanner Kit
P/N 91-13778A1	Bearing Cup Driver
P/N 91-817095	Needle Bearing Installer
P/N 91-818149	Needle Bearing Installer
P/N 91-818773	Piston Ring Compressor

P/N 91-821709 Spanner Kit

APPLICATION

All Outboard (excluding large single ram on V6's) and Mer-Cruiser power trim systems.

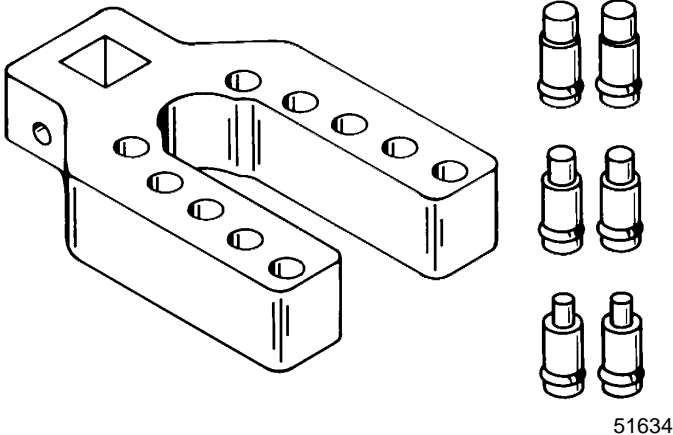
PURPOSE

Removes trim cylinder end caps.

CONTENTS OF KIT

- 1 spanner
- 2 pins - 0.235 in. (5.97 mm) diameter (P/N 91-811907)
- 2 pins - 0.180 in. (4.57 mm) diameter (P/N 91-811908)
- 2 pins - 0.150 in. (3.81 mm) diameter (P/N 91-811909)

Replacement pins are also available separately in quantities of two per package using the part numbers above.



P/N 91-821709 Spanner Kit

P/N 91-13778A1 Bearing Cup Driver

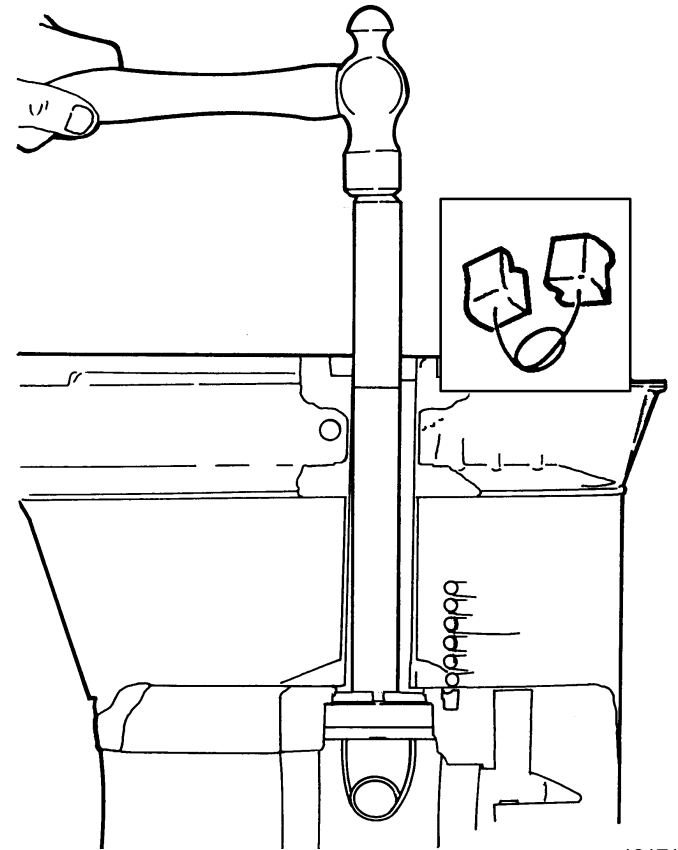
APPLICATION

75 thru 115

PURPOSE

Removes the lower driveshaft bearing cup.

This driver is now available separately from Bearing Race Tool (P/N 91-14308A1).



P/N 91-13778A1 Bearing Cup Driver

P/N 91-817095 Needle Bearing Installer

APPLICATION

135 thru 200 (excluding XR4, XR6, MAG II and MAG III).

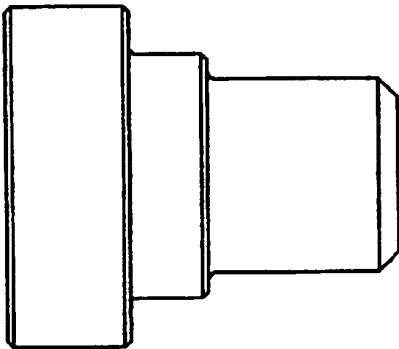
P/N 91-818149 Needle Bearing Installer

APPLICATION

XR4, XR6, MAG II, MAG III

PURPOSE

Both tools install the single forward-gear needle bearing and prevent the bearing from bottoming out and becoming damaged during assembly into forward gear.



P/N 91-817095 Needle Bearing Installer Shown

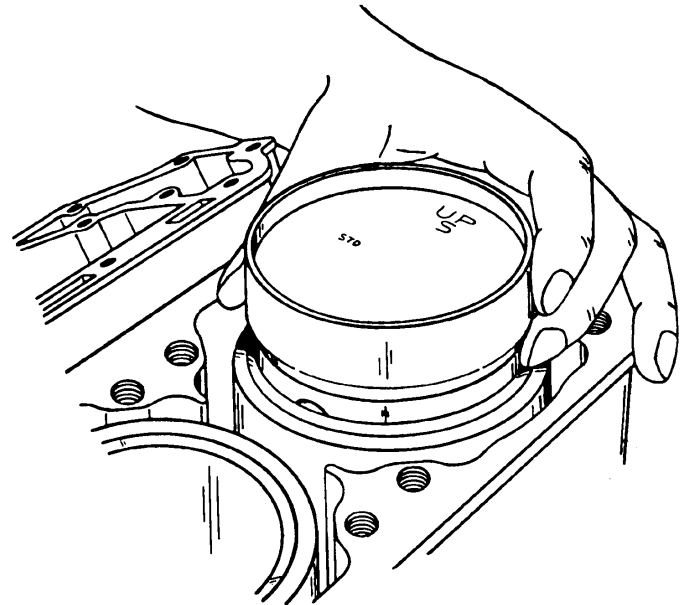
P/N 91-818773 Piston Ring Compressor

APPLICATION

2.5 liter V6 - 3.5 in. (88.5 mm) bore.

PURPOSE

Compresses piston rings for installing pistons in a 2.5 liter cylinder block.



P/N 91-818773 Piston Ring Compressor