

Lean Above Idle RPM – 1990 Mariner/Mercury 135

Early 1990 production 135 outboards with WMH-5 carburetors may hesitate when accelerated from idle and/or drop RPM or quit running when operated between 1000 and 1500 RPM. The cause may be a lean fuel condition and occurs more frequently on light/fast boats. Check the basics first – carburetor adjustment, timing/carburetor synchronization, ignition and fuel system. Next, try to correct by turning all six idle mixture screws counterclockwise (richer) the same amount. This will richen the idle fuel mixture and may correct the lean condition above idle RPM. If this does not correct the hesitation, replace all three carburetors and exhaust extension as listed.

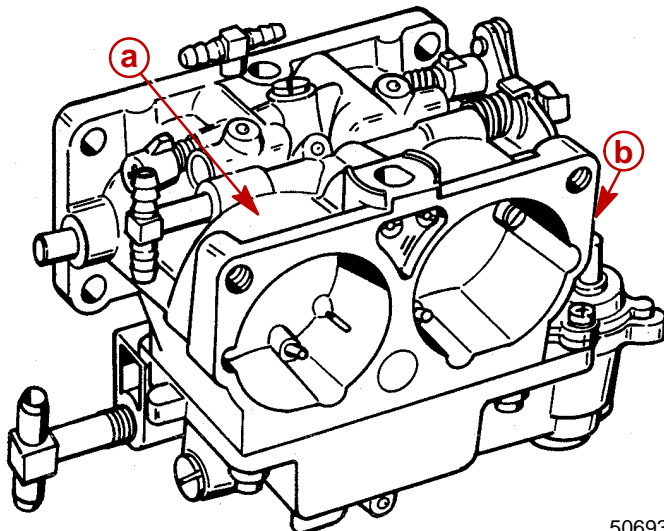
Outboards S/N 0C221500 thru 0C274331 require replacement of:

1. All three carburetors
2. Exhaust extension

Outboards S/N 0C274332 thru 0C284070 require replacement of:

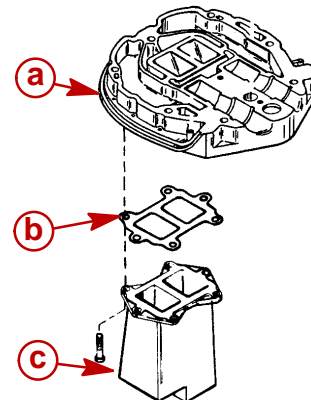
1. All three carburetors

Outboards S/N 0C284071 and above have WMH-8 carburetors and P/N 41924T exhaust extensions installed to correct this lean condition.



50693

- a** - Carburetor Model (WMH)
- b** - Carburetor Number (8-1, 8-2, etc.)



- a** - Drive Shaft Housing Plate
- b** - Gasket
- c** - Exhaust Extension

MODELS

1990	Mariner 135	S/N 0C221500 thru 0C284070
1990	Mercury 135	S/N 0C221500 thru 0C284070

PARTS REQUIRED – S/N 0C221500 thru 0C274331

Qty. 1	P/N 3308-813682A-4	Carburetor WMH 8-1
Qty. 1	P/N 3308-813682A-5	Carburetor WMH 8-2
Qty. 1	P/N 3308-813682A-6	Carburetor WMH 8-3
Qty. 3	P/N 27-67751--1	Gasket, carburetor flange
Qty. 1	P/N 27-78246	Gasket, exhaust extension
Qty. 1	P/N 27-99173--2	Gasket, D.S. housing plate
Qty. 1	P/N 27-18307--1	Gasket, exhaust plate
Qty. 1	P/N 27-99176--3	Gasket powerhead
Qty. 7	P/N 54-90077	Sta-straps
Qty. 1	P/N 41942T	Exhaust extension

PARTS REQUIRED – S/N 0C274332 thru 0C284070

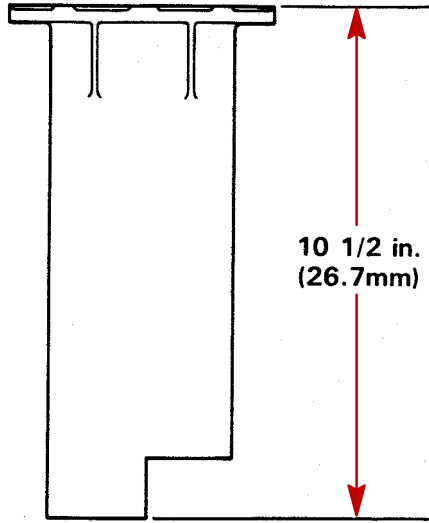
Qty. 1	P/N 3308-813682A-4	Carburetor WMH 8-1
Qty. 1	P/N 3308-813682A-5	Carburetor WMH 8-2
Qty. 1	P/N 3308-813682A-6	Carburetor WMH 8-3
Qty. 3	P/N 27-67751--1	Gasket, carburetor flange

REPAIR:

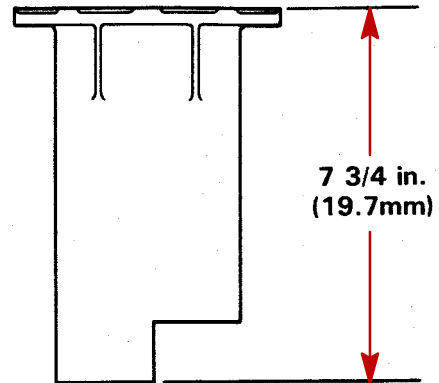
Replace carburetors.

Replace exhaust extension.

Time engine and synchronize carburetors.



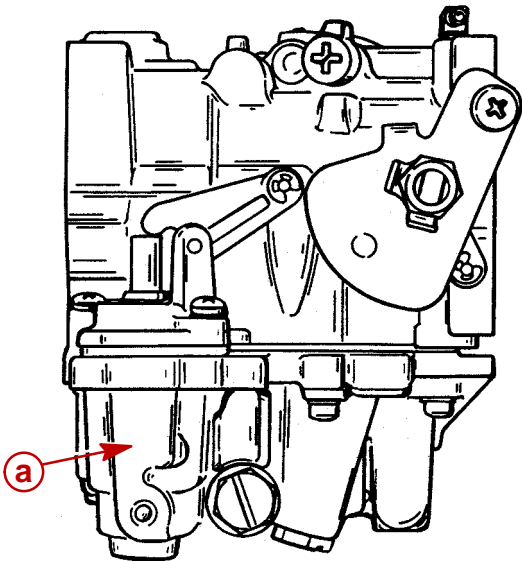
Original P/N 17303 Exhaust Extension



Replacement P/N 41942T Exhaust Extension

IDENTIFY REPAIR:

Scribe an "X" on the side of each carburetor casting by accelerator pump.



a - Identify with "X"

50694

WARRANTY:

Parts listed.

Two (2) hours labor for carburetor replacement.

Five (5) hours labor for carburetor and exhaust extension replacement.

Return all parts with warranty claim.