



# PARTS CATALOG

## MERC 402

### SERIAL NUMBER

402 .....	USA 4117710 THRU 4860102
402 .....	CAN 7047608 THRU 7112422
402 .....	8027440 THRU 8052124
402 .....	BEL 9076839 THRU 9184450

# TABLE OF CONTENTS:

BOTTOM COWL AND EXHAUST PLATE ASSEMBLY .....	48
CARBURETOR ASSEMBLY .....	18
CARBURETOR CHOKE LINKAGE .....	16
CLAMP AND SWIVEL BRACKET ASSEMBLY .....	56
COWLING AND FRONT COVER .....	14
CRANKSHAFT, PISTON AND CONNECTING ROD ASSEMBLY .....	46
CYLINDER BLOCK AND COIL MOUNTING BRACKET .....	42
CYLINDER BLOCK AND CRANKCASE ASSEMBLY .....	38
DRIVE SHAFT HOUSING ASSEMBLY .....	52
FLYWHEEL, IGNITION COIL AND SWITCH BOX .....	22
FUEL PUMP ASSEMBLY AND FUEL LINES .....	36
GEAR HOUSING ASSEMBLY, COMPLETE (PAGE 1) .....	62
GEAR HOUSING ASSEMBLY, COMPLETE (PAGE 2) .....	68
MISCELLANEOUS PARTS/ACCESSORIES .....	1
PARTS INDEX .....	74
SHIFT CONTROL LINKAGE .....	32
STARTER HOUSING .....	8
STARTER MOTOR, RECTIFIER AND WIRING HARNESS .....	26
THROTTLE CONTROL LINKAGE AND SPARK ADVANCE .....	30
TOP COWL ASSEMBLY .....	2

**NOTE:** Indented description indicate that these parts are included in preceeding assembly.

**AR** = As Required

**NSS** = Not Sold Separate

**OPT** = Optional

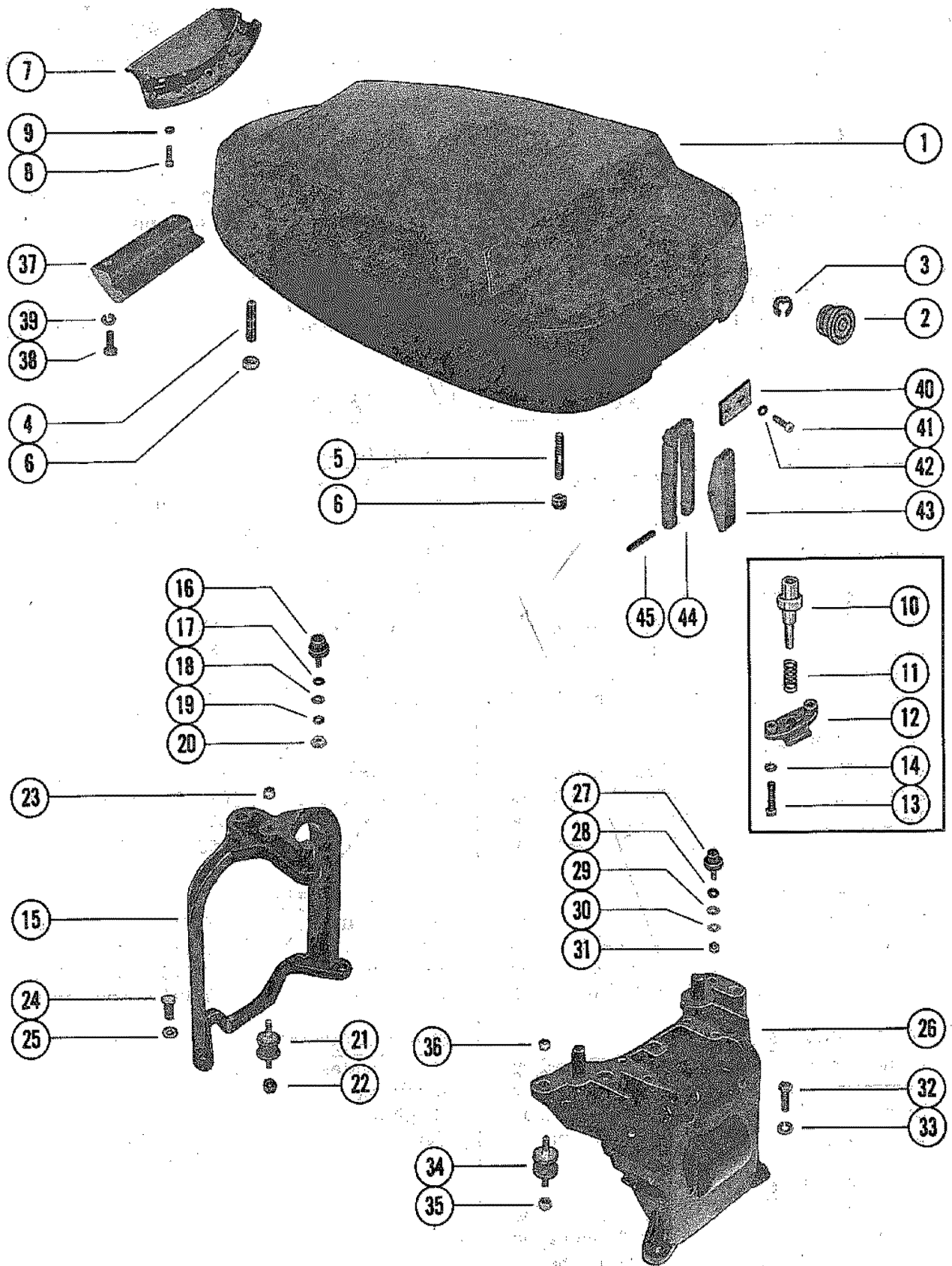
**NS** = Not Shown

**THESE PARTS BOOKS/FICHE CARD ARE COPYRIGHTED AND MAY NOT BE DISTRIBUTED OR REPRODUCED IN ANY OTHER FORMAT BY ANYONE OTHER THAN MERCURY MARINE WITHOUT THE PRIOR WRITTEN CONSENT OF MERCURY MARINE.**

## MISCELLANEOUS PARTS/ACCESSORIES

REF. NO.	PART NO.	SYM.	QTY.	DESCRIPTION
-	27-55306A75		0	GASKET SET
-	90-71706		0	MERC 402 PARTS LIST
-	37-70178A75		0	DECAL SET (MERC 402) UNITED STATES 4362214 AND BELOW AUSTRALIA 8036449 AND BELOW BELGIUM 9108563 AND BELOW CANADA 7070272 AND BELOW
-	37-73904A76		0	DECAL SET (MERC 402) UNITED STATES 4362215 THRU 4564001 AUSTRALIA 8036450 THRU 8041799 BELGIUM 9108564 THRU 9135224 CANADA 7059933 THRU 7086372
-	37-73904A77		0	DECAL SET (MERC 402) UNITED STATES 4564002 AND UP AUSTRALIA 8041800 AND UP BELGIUM 9135225 AND UP CANADA 7086373 AND UP
-	50-55601A1		0	ELECTRIC STARTER KIT
-	79-73370A1		0	TACHOMETER ASSEMBLY
-	332-4811A2		0	MODULE ASSEMBLY

# TOP COWL ASSEMBLY

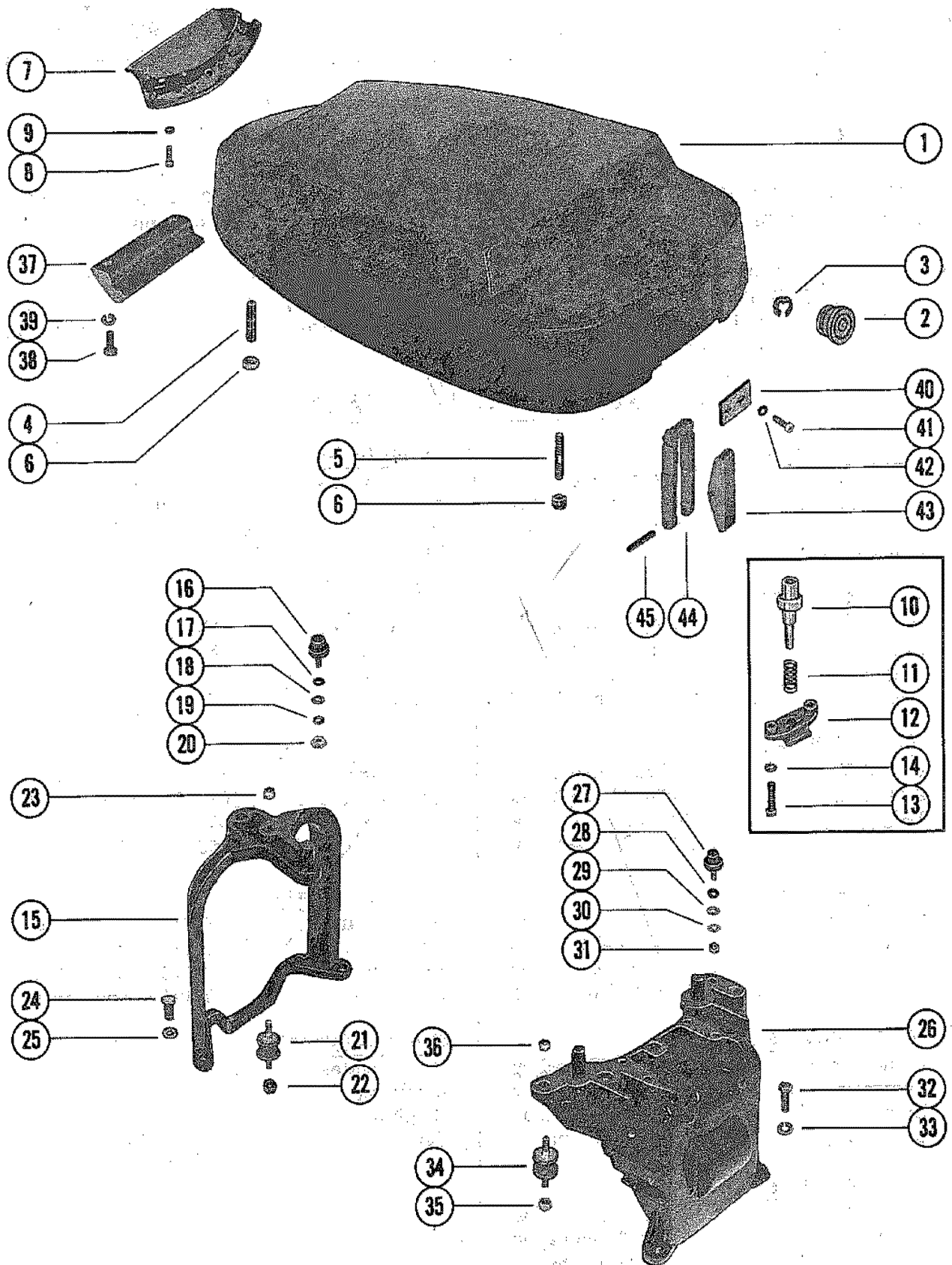


# TOP COWL ASSEMBLY

REF. NO.	PART NO.	SYM.	QTY.	DESCRIPTION
1	2138-4413A2		1	TOP COWL ASSEMBLY UNITED STATES 4726797 AND BELOW AUSTRALIA 8046299 AND BELOW BELGIUM 9163104 AND BELOW CANADA 7059933 AND BELOW
2	73537		1	INSERT, ROPE GUIDE - TOP COWL UNITED STATES 4726797 AND BELOW AUSTRALIA 8046299 AND BELOW BELGIUM 9163104 AND BELOW CANADA 7059933 AND BELOW
3	53-58656		1	RING, RETIANING - ROPE GUIDE INSERT UNITED STATES 4726797 AND BELOW AUSTRALIA 8046299 AND BELOW BELGIUM 9163104 AND BELOW CANADA 7059933 AND BELOW
4	16-21391		1	STUD, TOP COWL TO SUPPORT BRACKER - REAR (1 1/2") UNITED STATES 4726797 AND BELOW AUSTRALIA 8046299 AND BELOW BELGIUM 9163104 AND BELOW CANADA 7059933 AND BELOW
5	16-21553		2	STUD, TOP COWL TO SUPPORT BRACKET - FROTN (1 1/2") UNITED STATES 4726797 AND BELOW AUSTRALIA 8046299 AND BELOW BELGIUM 9163104 AND BELOW CANADA 7059933 AND BELOW
6	11-35814		3	NUT, TOP COWL STUD UNITED STATES 4726797 AND BELOW AUSTRALIA 8046299 AND BELOW BELGIUM 9163104 AND BELOW CANADA 7059933 AND BELOW
1	2138-6341		1	TOP COWL ASSEMBLY UNITED STATES 4726798 AND UP AUSTRALIA 8046300 AND UP BELGIUM 9163105 AND UP CANADA 7101848 AND UP
	2138-6340A2		1	TOP COWL ASSEMBLY UNITED STATES 4726798 AND UP AUSTRALIA 8046300 AND UP BELGIUM 9163105 AND UP CANADA 7101848 AND UP
2	73537		1	INSERT, ROPE GUIDE - TOP COWL UNITED STATES 4726798 AND UP AUSTRALIA 8046300 AND UP BELGIUM 9163105 AND UP CANADA 7101848 AND UP
3	53-58656		1	RING, RETAINING - ROPE GUIDE INSERT UNITED STATES 4726798 AND UP AUSTRALIA 8046300 AND UP BELGIUM 9163105 AND UP CANADA 7101848 AND UP
7	62236		1	SHIELD, REAR - TOP COWL
8	10-20646		3	SCREW, REAR SHIELD TO TOP COWL (5/8")
9	12-26014		3	WASHER, REAR SHIELD SCREW
10	39619		1	BUTTON, FRONT COVER RELEASE - TOP COWL UNITED STATES 4726797 AND BELOW AUSTRALIA 8046299 AND BELOW BELGIUM 9163104 AND BELOW CANADA 7059933 AND BELOW
11	24-37911		1	SPRING, COMPRESSION - FRONT COVER RELEASE BUTTON UNITED STATES 4726797 AND BELOW AUSTRALIA 8046299 AND BELOW BELGIUM 9163104 AND BELOW CANADA 7059933 AND BELOW
12	60865		1	CATCH, FRONT COVER - TOP COWL UNITED STATES 4726797 AND BELOW AUSTRALIA 8046299 AND BELOW BELGIUM 9163104 AND BELOW CANADA 7059933 AND BELOW
13	10-69010		2	SCREW, FRONT COVER CATCH TO TOP COW (7/8") UNITED STATES 4726797 AND BELOW AUSTRALIA 8046299 AND BELOW BELGIUM 9163104 AND BELOW CANADA 7059933 AND BELOW

CONTINUED ON NEXT PAGE ➡

# TOP COWL ASSEMBLY

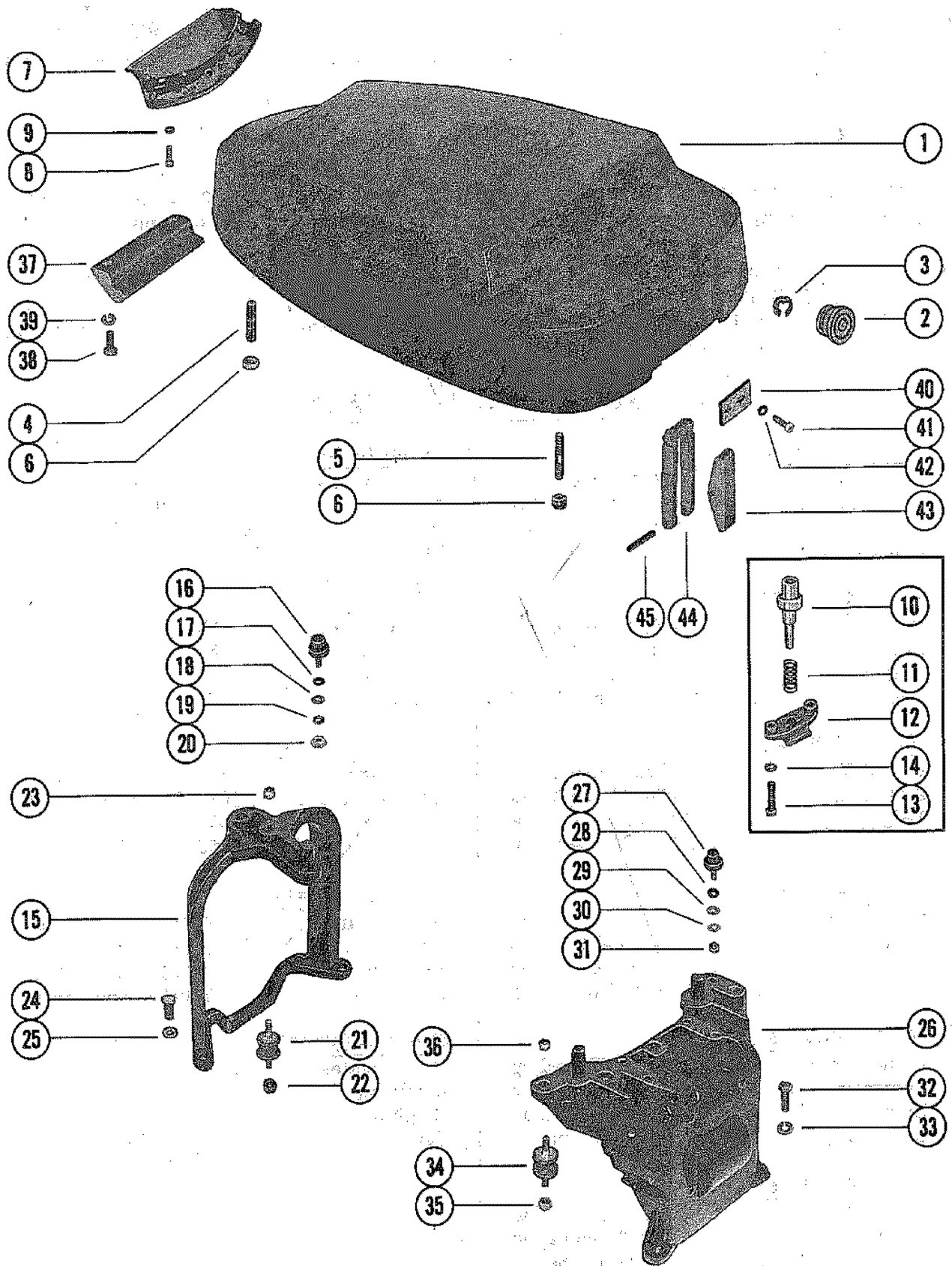


# TOP COWL ASSEMBLY

REF. NO.	PART NO.	SYM.	QTY.	DESCRIPTION
14	13-26996		2	LOCKWASHER, FRONT COVER CATCH SCREW UNITED STATES 4726797 AND BELOW AUSTRALIA 8046299 AND BELOW BELGIUM 9163104 AND BELOW CANADA 7059933 AND BELOW
15	67878		1	BRACKET, SUPPORT - TOP COWL (REAR) UNITED STATES 4726797 AND BELOW AUSTRALIA 8046299 AND BELOW BELGIUM 9163104 AND BELOW CANADA 7059933 AND BELOW
	76132		1	BRACKET, SUPPORT - TOP COWL (REAR) UNITED STATES 4726798 AND UP AUSTRALIA 8046300 AND UP BELGIUM 9163105 AND UP CANADA 7101848 AND UP
16	60577		2	MOUNT, RUBBER - REAR SUPPORT BRACKET UNITED STATES 4726798 AND UP AUSTRALIA 8046300 AND UP BELGIUM 9163105 AND UP CANADA 7101848 AND UP
17	12-20054		2	WASHER, RUBBER MOUNT UNITED STATES 4726798 AND UP AUSTRALIA 8046300 AND UP BELGIUM 9163105 AND UP CANADA 7101848 AND UP
18	12-21631		AR	WASHER, RUBBER MOUNT UNITED STATES 4726798 AND UP AUSTRALIA 8046300 AND UP BELGIUM 9163105 AND UP CANADA 7101848 AND UP
19	13-26992		2	LOCKWASHER, RUBBER MOUNT UNITED STATES 4726798 AND UP AUSTRALIA 8046300 AND UP BELGIUM 9163105 AND UP CANADA 7101848 AND UP
20	11-35045		2	NUT, RUBBER MOUNT UNITED STATES 4726798 AND UP AUSTRALIA 8046300 AND UP BELGIUM 9163105 AND UP CANADA 7101848 AND UP
21	39501		1	MOUNT, RUBBER - REAR SUPPORT BRACKET
22	11-35045		1	NUT, RUBBER MOUNT TO CYLINDER BLOCK COVER (LOWER)
23	11-35045		1	NUT, RUBBER MOUNT OT REAR SUPPORT BRACKET (UPPER)
24	10-37562		4	SCREW, REAR SUPPORT BRACKET TO BOTTOM COW (1")
25	13-26993		4	LOCKWASHER, REAR SUPPORT BRACKET SCREW
26	67323		1	BRACKET, SUPPORT - TOP COWL (FRONT ) UNITED STATES 4726797 AND BELOW AUSTRALIA 8046299 AND BELOW BELGIUM 9163104 AND BELOW CANADA 7059933 AND BELOW
	76133		1	BRACKET, SUPPORT - TOP COWL (FRONT) UNITED STATES 4726798 AND UP AUSTRALIA 8046300 AND UP BELGIUM 9163105 AND UP CANADA 7101848 AND UP
27	31014		2	MOUNT, RUBBER - FRONT SUPPORT BRACKET UNITED STATES 4726798 AND UP AUSTRALIA 8046300 AND UP BELGIUM 9163105 AND UP CANADA 7101848 AND UP
28	12-20054		2	WASHER, RUBBER MOUNT UNITED STATES 4726798 AND UP AUSTRALIA 8046300 AND UP BELGIUM 9163105 AND UP CANADA 7101848 AND UP
29	12-21631		AR	WASHER, RUBBER MOUNT UNITED STATES 4726798 AND UP AUSTRALIA 8046300 AND UP BELGIUM 9163105 AND UP CANADA 7101848 AND UP
30	13-26992		2	LOCKWASHER, RUBBER MOUNT UNITED STATES 4726798 AND UP AUSTRALIA 8046300 AND UP BELGIUM 9163105 AND UP CANADA 7101848 AND UP

CONTINUED ON NEXT PAGE ➡

# TOP COWL ASSEMBLY

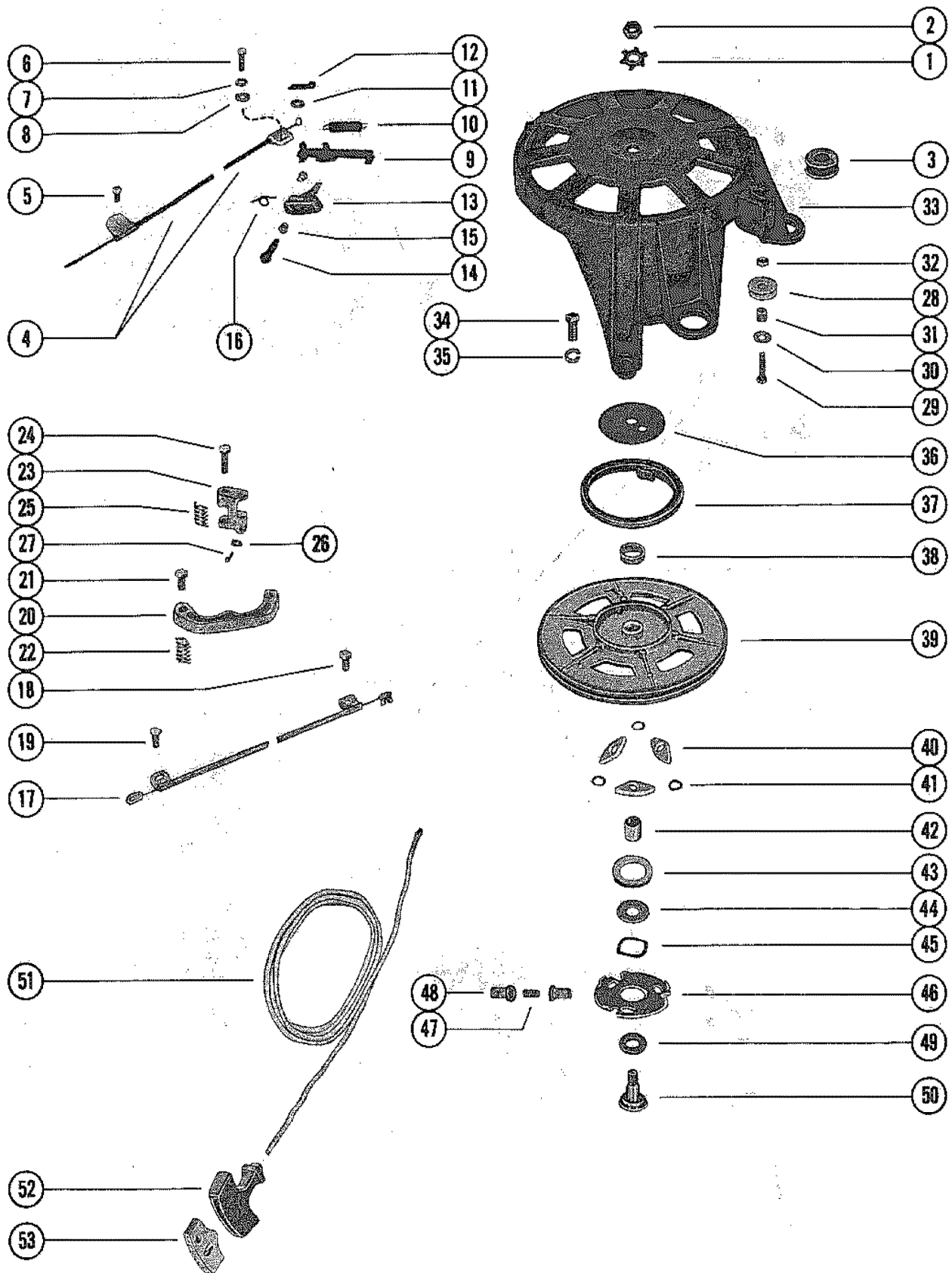




# TOP COWL ASSEMBLY

REF. NO.	PART NO.	SYM.	QTY.	DESCRIPTION
31	11-35045		2	NUT, RUBBER MOUNT <b>UNITED STATES 4726798 AND UP AUSTRALIA 8046300 AND UP BELGIUM 9163105 AND UP CANADA 7101848 AND UP</b>
32	10-37562		2	SCREW, FRONT SUPPORT BRACKET TO BOTTOM COW (1")
33	13-26993		2	LOCKWASHER, FRONT SUPPORT BRACKET SCREW
34	39501		2	MOUNT, RUBBER - FRONT SUPPORT BRACKET
35	11-35045		2	NUT, RUBBER MOUNT TO CRANKCASE (LOWER)
36	11-35045		2	NUT, RUBBER MOUNT TO FRONT SUPPORT BRACKET (UPPER)
37	55455		1	HOOK, TOP COWL LATCH - REAR <b>UNITED STATES 4726798 AND UP AUSTRALIA 8046300 AND UP BELGIUM 9163105 AND UP CANADA 7101848 AND UP</b>
38	10-22956		2	SCREW, REAR HOOK TO TOP COW (7/8") <b>UNITED STATES 4726798 AND UP AUSTRALIA 8046300 AND UP BELGIUM 9163105 AND UP CANADA 7101848 AND UP</b>
39	13-26992		2	LOCKWASHER, REAR HOOK SCREW <b>UNITED STATES 4726798 AND UP AUSTRALIA 8046300 AND UP BELGIUM 9163105 AND UP CANADA 7101848 AND UP</b>
40	75973		1	PLATE, HINGE <b>UNITED STATES 4726798 AND UP AUSTRALIA 8046300 AND UP BELGIUM 9163105 AND UP CANADA 7101848 AND UP</b>
41	10-32228		2	SCREW, HINGE PLATE (5/8") <b>UNITED STATES 4726798 AND UP AUSTRALIA 8046300 AND UP BELGIUM 9163105 AND UP CANADA 7101848 AND UP</b>
42	13-26996		2	LOCKWASHER, HINGE PLATE XCREW <b>UNITED STATES 4726798 AND UP AUSTRALIA 8046300 AND UP BELGIUM 9163105 AND UP CANADA 7101848 AND UP</b>
43	52737		1	LEVER, COWL LATCH <b>UNITED STATES 4726798 AND UP AUSTRALIA 8046300 AND UP BELGIUM 9163105 AND UP CANADA 7101848 AND UP</b>
44	52739		1	HINGE, COWL LATCH LEVER <b>UNITED STATES 4726798 AND UP AUSTRALIA 8046300 AND UP BELGIUM 9163105 AND UP CANADA 7101848 AND UP</b>
45	17-58998		1	ROL PIN, HINGE TO LEVER <b>UNITED STATES 4726798 AND UP AUSTRALIA 8046300 AND UP BELGIUM 9163105 AND UP CANADA 7101848 AND UP</b>

# STARTER HOUSING

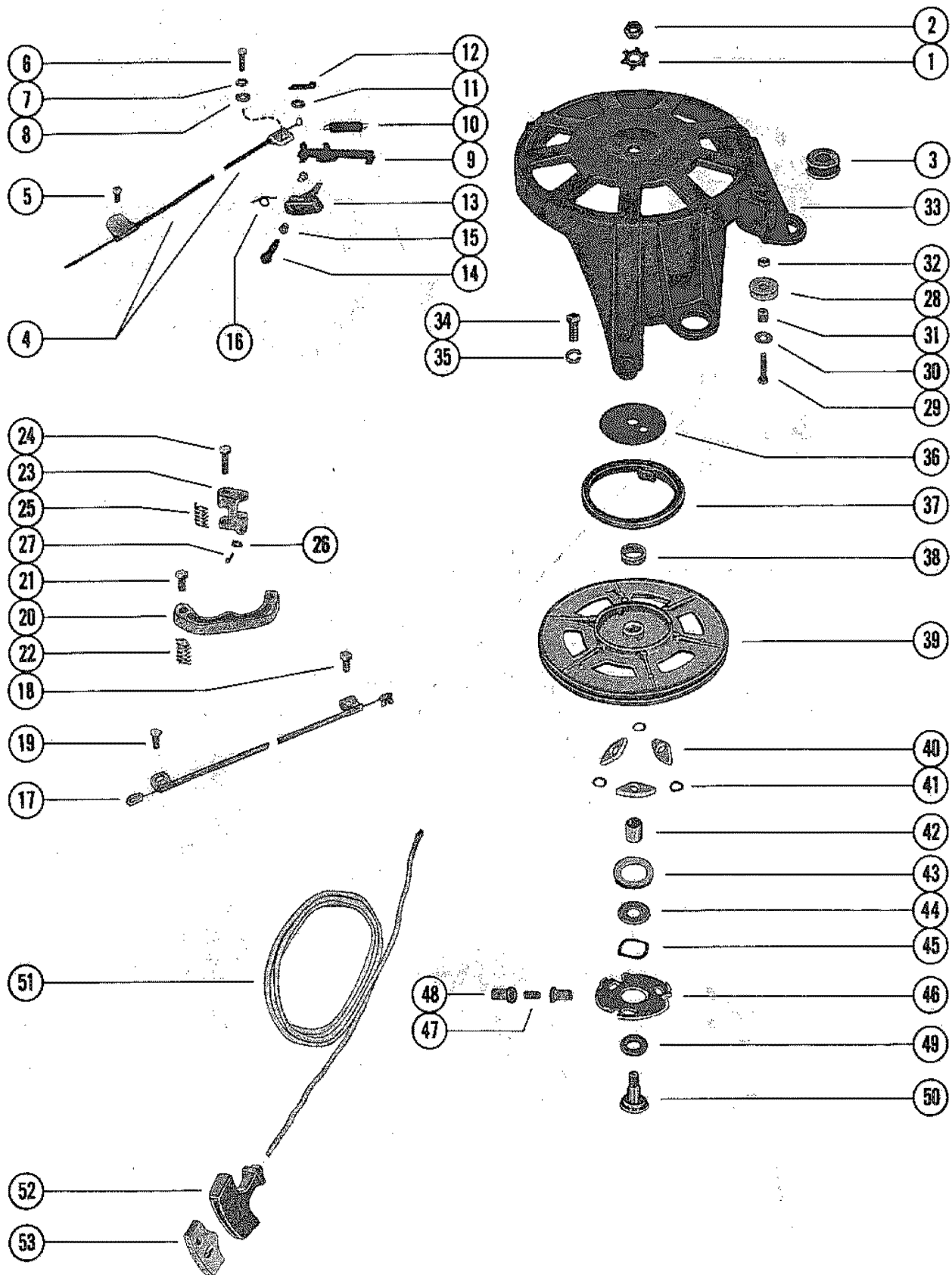


# STARTER HOUSING

REF. NO.	PART NO.	SYM.	QTY.	DESCRIPTION
1	14-61004		1	TAB WASHER, SHEAVE SHAFT NUT
2	11-20166		1	NUT, SHEAVE SHAFT (LEFT HAND THREAD)
3	25-39597		2	GROMMET, STARTER HOUSING
4	70970		1	CABLE ASSEMBLY, INTERLOCK MANUAL UNITED STATES 4726797 AND BELOW AUSTRALIA 8046299 AND BELOW BELGIUM 9163104 AND BELOW CANADA 7059933 AND BELOW
5	10-32228		1	SCREW, INTERLOCK CABLE OT EXHUAST PLATE (5/8") MANUAL UNITED STATES 4726797 AND BELOW AUSTRALIA 8046299 AND BELOW BELGIUM 9163104 AND BELOW CANADA 7059933 AND BELOW
6	10-20100		1	SCREW, INTERLOCK CABLE TO STARTE HOUSING (1/2") MANUAL UNITED STATES 4726797 AND BELOW AUSTRALIA 8046299 AND BELOW BELGIUM 9163104 AND BELOW CANADA 7059933 AND BELOW
7	13-27660		1	LOCKWASHER, INTERLOCK CABLE SCREW MANUAL UNITED STATES 4726797 AND BELOW AUSTRALIA 8046299 AND BELOW BELGIUM 9163104 AND BELOW CANADA 7059933 AND BELOW
8	12-26013		2	WASHER, INTERLOCK CABLE SCRE MANUAL UNITED STATES 4726797 AND BELOW AUSTRALIA 8046299 AND BELOW BELGIUM 9163104 AND BELOW CANADA 7059933 AND BELOW
9	57236		1	CAM, SLIDING - STARTER HOUSING MANUAL UNITED STATES 4726797 AND BELOW AUSTRALIA 8046299 AND BELOW BELGIUM 9163104 AND BELOW CANADA 7059933 AND BELOW
10	24-70086		1	SPRING, SLIDING CAM MANUAL UNITED STATES 4726797 AND BELOW AUSTRALIA 8046299 AND BELOW BELGIUM 9163104 AND BELOW CANADA 7059933 AND BELOW
11	12-37998		1	WASHER, INTERLOCK CABLE MANUAL UNITED STATES 4726797 AND BELOW AUSTRALIA 8046299 AND BELOW BELGIUM 9163104 AND BELOW CANADA 7059933 AND BELOW
12	18-26953		1	COTTER PIN, INTERLOCK CABLE TO SLIDING CAM MANUAL UNITED STATES 4726797 AND BELOW AUSTRALIA 8046299 AND BELOW BELGIUM 9163104 AND BELOW CANADA 7059933 AND BELOW
13	65757A1		1	TOGGLE ASSEMBLY, STARTER INTERLOCK MANUAL UNITED STATES 4726797 AND BELOW AUSTRALIA 8046299 AND BELOW BELGIUM 9163104 AND BELOW CANADA 7059933 AND BELOW
14	10-57249		1	SCREW, TOGGLE TO STARTER HOUSING MANUAL UNITED STATES 4726797 AND BELOW AUSTRALIA 8046299 AND BELOW BELGIUM 9163104 AND BELOW CANADA 7059933 AND BELOW
15	23-26856		2	BUSHING, TOGGLE SCREW MANUAL UNITED STATES 4726797 AND BELOW AUSTRALIA 8046299 AND BELOW BELGIUM 9163104 AND BELOW CANADA 7059933 AND BELOW
16	24-57279		1	SPRING, TOGGLE SCREW MANUAL UNITED STATES 4726797 AND BELOW AUSTRALIA 8046299 AND BELOW BELGIUM 9163104 AND BELOW CANADA 7059933 AND BELOW

CONTINUED ON NEXT PAGE ➡

# STARTER HOUSING

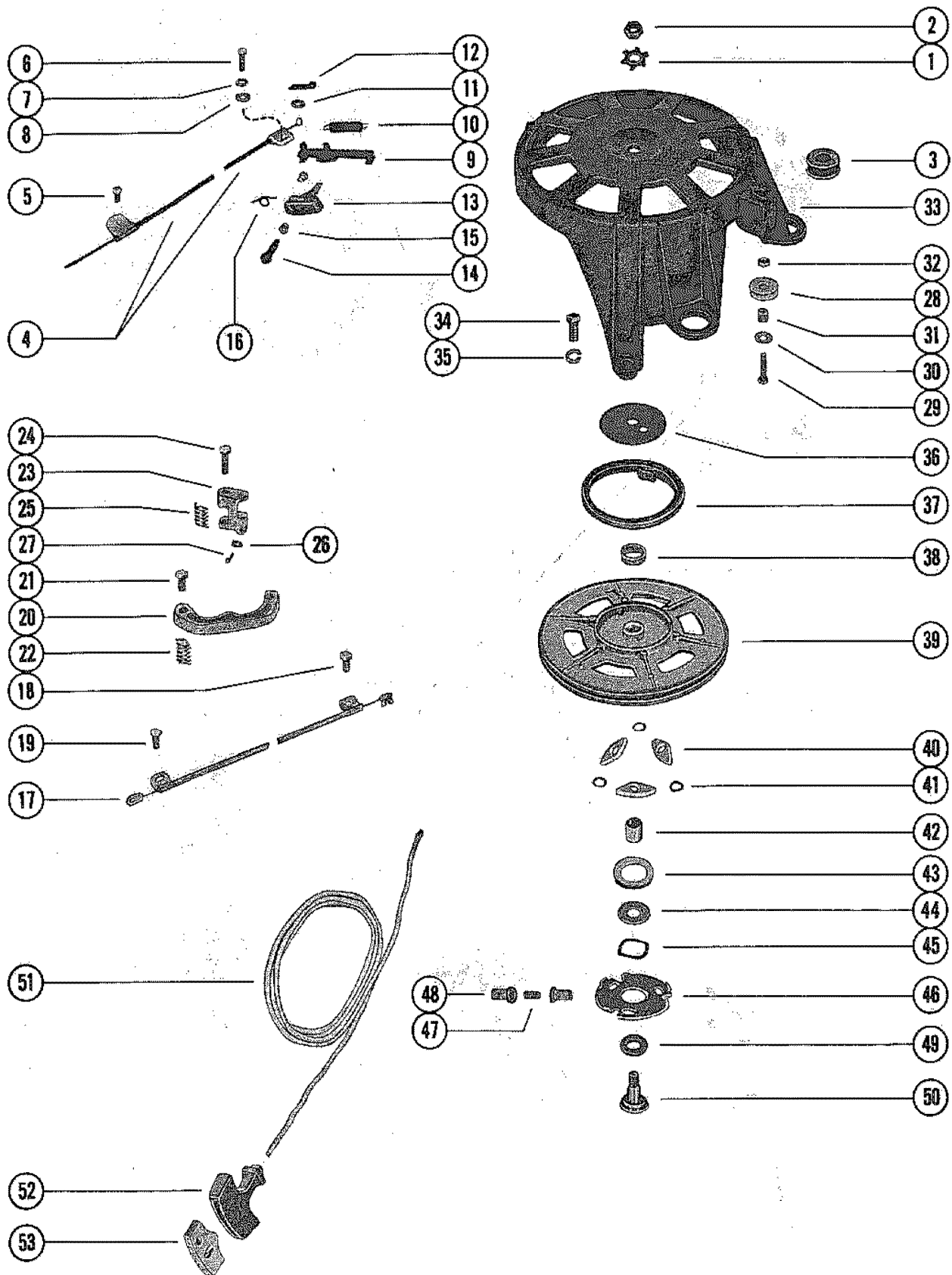


# STARTER HOUSING

REF. NO.	PART NO.	SYM.	QTY.	DESCRIPTION
17	76141		1	CABLE ASSEMBLY, INTERLOCK MANUAL UNITED STATES 4726798 AND UP AUSTRALIA 8046300 AND UP BELGIUM 9163105 AND UP CANADA 7101848 AND UP
18	10-32228		1	SCREW, INTELROCK CABLE TO EXHAUST PLATE (5/8") MANUAL UNITED STATES 4726798 AND UP AUSTRALIA 8046300 AND UP BELGIUM 9163105 AND UP CANADA 7101848 AND UP
19	10-20100		1	SCREW, INTERLOCK CABLE TO STARTE RHOUSING (1/2") MANUAL UNITED STATES 4726798 AND UP AUSTRALIA 8046300 AND UP BELGIUM 9163105 AND UP CANADA 7101848 AND UP
20	77864		1	CAM, INTERLOCK MANUAL UNITED STATES 4726798 AND UP AUSTRALIA 8046300 AND UP BELGIUM 9163105 AND UP CANADA 7101848 AND UP
21	10-76138		1	SCREW, INTERLOCK CAM ATTACHING (1 1/8") MANUAL UNITED STATES 4726798 AND UP AUSTRALIA 8046300 AND UP BELGIUM 9163105 AND UP CANADA 7101848 AND UP
22	24-76140		1	SPRING, INTERLOCK CAM SCREW MANUAL UNITED STATES 4726798 AND UP AUSTRALIA 8046300 AND UP BELGIUM 9163105 AND UP CANADA 7101848 AND UP
23	76136		1	ACTUATOR, INTERLOCK MANUAL UNITED STATES 4726798 AND UP AUSTRALIA 8046300 AND UP BELGIUM 9163105 AND UP CANADA 7101848 AND UP
24	10-76137		1	SCREW, INTERLOCK ACTUATOR ATTACHING (1 5/8") MANUAL UNITED STATES 4726798 AND UP AUSTRALIA 8046300 AND UP BELGIUM 9163105 AND UP CANADA 7101848 AND UP
25	24-76139		1	SPRING, INTERLOCK ACTUATOR SCREW MANUAL UNITED STATES 4726798 AND UP AUSTRALIA 8046300 AND UP BELGIUM 9163105 AND UP CANADA 7101848 AND UP
26	12-30191		1	WASHER, INTERLOCK CABLE MANUAL UNITED STATES 4726798 AND UP AUSTRALIA 8046300 AND UP BELGIUM 9163105 AND UP CANADA 7101848 AND UP
27	18-27769		1	COTTER PIN, INTERLOCK CABLE TO ACTUATOR MANUAL UNITED STATES 4726798 AND UP AUSTRALIA 8046300 AND UP BELGIUM 9163105 AND UP CANADA 7101848 AND UP
28	55860		1	PULLEY, STARTER SCREW
29	10-45210		1	SCREW, PULLEY TO STARTER HOUSING (1 1/4")
30	12-22887		2	WASHER, PULLEY SCREW
31	23-30977		1	SPACER, PULLEY SCREW
32	11-24656		1	NUT, PULLEY SCREW
33	2140-4415		1	HOUSING, STARTER UNITED STATES 4726797 AND BELOW AUSTRALIA 8046299 AND BELOW BELGIUM 9163104 AND BELOW CANADA 7059933 AND BELOW
	76080		1	HOUSING, STARTER UNITED STATES 4726798 AND UP AUSTRALIA 8046300 AND UP BELGIUM 9163105 AND UP CANADA 7101848 AND UP
34	10-37562		2	SCREW, STARTER HOUSING TO CRANKCASE (1")
35	13-26993		2	LOCKWASHER, STARTER HOUSING SCREW
36	61002		1	RETAINER, STARTER REWIND
37	24-39502A1		1	SPRING, STARTER REWIND

CONTINUED ON NEXT PAGE ➡

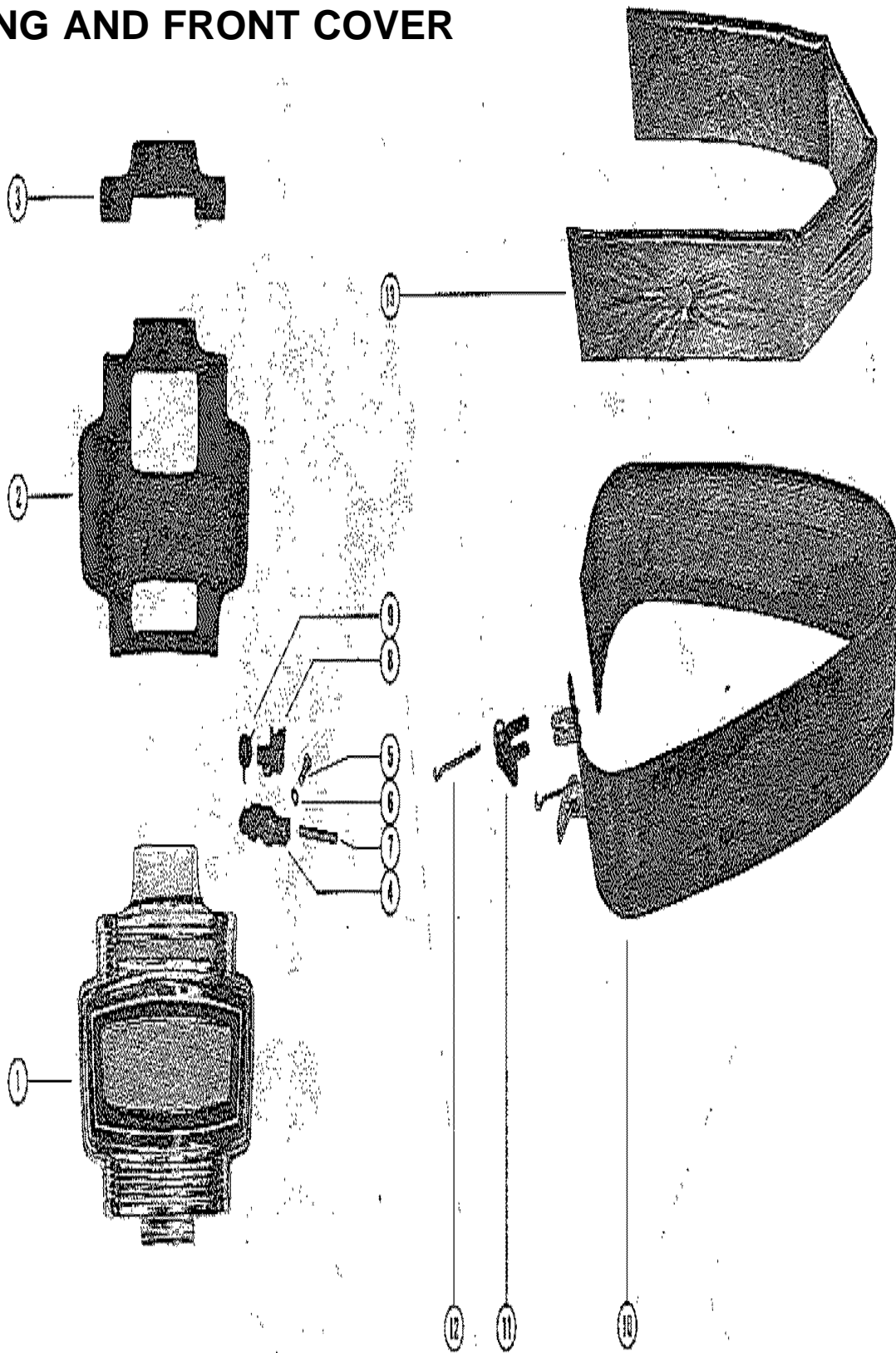
# STARTER HOUSING



# STARTER HOUSING

REF. NO.	PART NO.	SYM.	QTY.	DESCRIPTION
38	23-63100		1	BUSHING
39	50-66855A1		1	STARTER SHEAVE ASSEMBLY UNITED STATES 4726797 AND BELOW AUSTRALIA 8046299 AND BELOW BELGIUM 9163104 AND BELOW CANADA 7059933 AND BELOW
	76053A1		1	STARTER SHEAVE ASSEMBLY UNITED STATES 4726798 AND UP AUSTRALIA 8046300 AND UP BELGIUM 9163105 AND UP CANADA 7101848 AND UP
40	30596		3	PAWL, STARTER
41	13-36206		3	WASHER, WAVE - STARTER PAWL
42	23-63061		1	SPACER, SHEAVE SHAFT
43	39840		1	RETAINER, WAVE WASHER
44	12-57837		1	WASHER, WAVE WASHER RETAINER
45	13-20160		1	WASHER, WAVE - RETAINER TENSION
46	66845		1	PLATE, RETAINER - STARTER PAWL
47	24-66853		1	SPRING, RETAINER TO STARTER SHEAVE
48	66848		2	RETAINER, SPRING
49	12-57860		1	WASHER, SHEAVE SHAFT
50	61003		1	SHAFT, SHEAVE
51	50-28985A1		1	STARTER CABLE ASSEMBLY
52	30782		1	HANDLE, STARTER CABLE
53	28748		1	RETAINER, STARTER CABLE AND HANDLE

# COWLING AND FRONT COVER

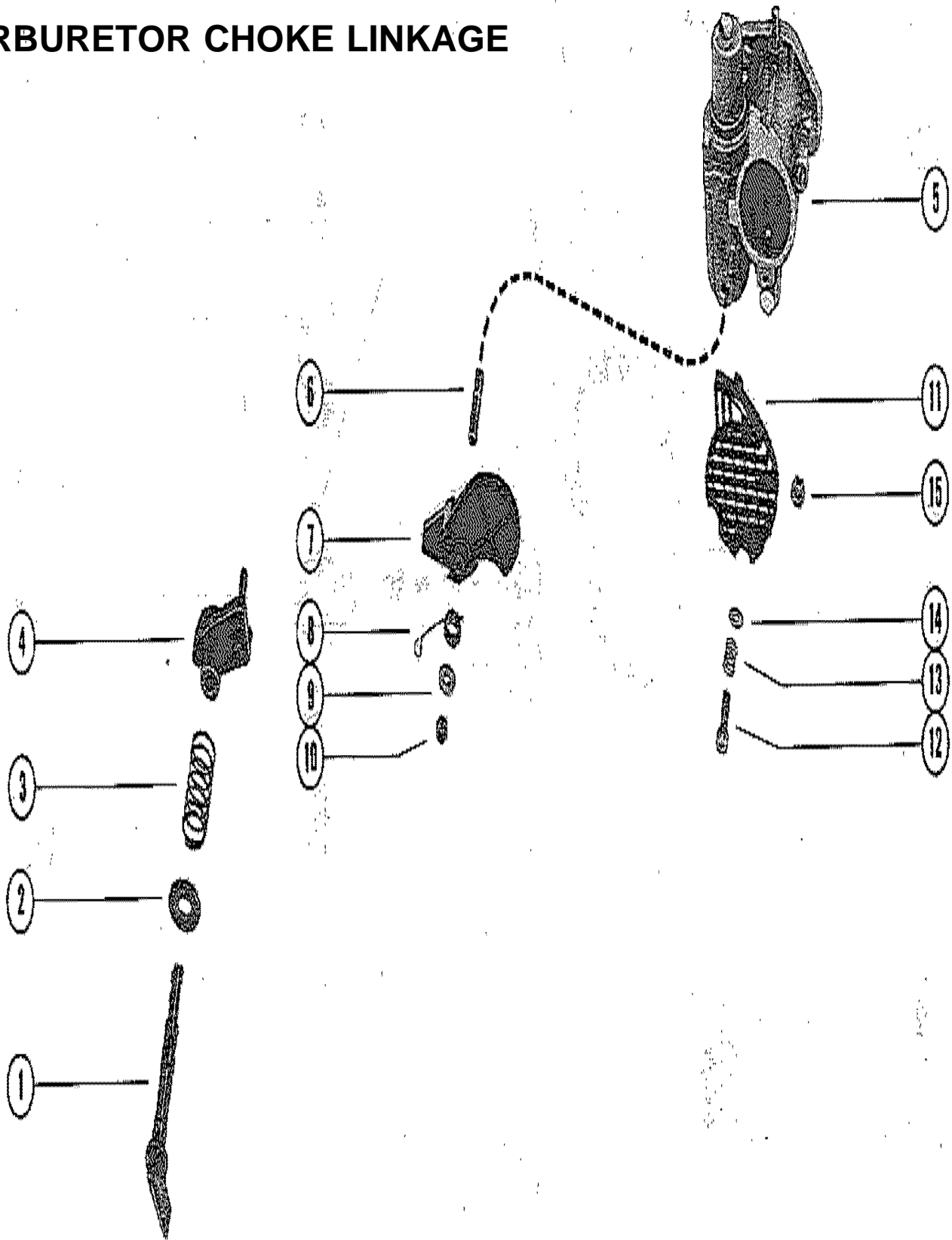




## COWLING AND FRONT COVER

REF. NO.	PART NO.	SYM.	QTY.	DESCRIPTION
1	2135-5683A3		1	COWL FRONT COVER ASSEMBLY UNITED STATES 4726797 AND BELOW AUSTRALIA 8046299 AND BELOW BELGIUM 9163104 AND BELOW CANADA 7059933 AND BELOW
	2161-6347A1		1	COWL FRONT COVER ASSEMBLY UNITED STATES 4726798 AND UP AUSTRALIA 8046300 AND UP BELGIUM 9163105 AND UP CANADA 7101848 AND UP
2	63324		1	BLANKET, COWL FRONT COVER UNITED STATES 4726797 AND BELOW AUSTRALIA 8046299 AND BELOW BELGIUM 9163104 AND BELOW CANADA 7059933 AND BELOW
	76450		1	BLANKET, COWL FRONT COVER UNITED STATES 4726798 AND UP AUSTRALIA 8046300 AND UP BELGIUM 9163105 AND UP CANADA 7101848 AND UP
3	63323		1	SPACER, SOUND ABSORBING - FRONT COVER UNITED STATES 4726797 AND BELOW AUSTRALIA 8046299 AND BELOW BELGIUM 9163104 AND BELOW CANADA 7059933 AND BELOW
4	60867A1		1	BASE, COWL FRONG COVER LATCH UNITED STATES 4726797 AND BELOW AUSTRALIA 8046299 AND BELOW BELGIUM 9163104 AND BELOW CANADA 7059933 AND BELOW
5	10-48409		2	SCREW, LATCH BASE TO FRONT COVER (3/4") UNITED STATES 4726797 AND BELOW AUSTRALIA 8046299 AND BELOW BELGIUM 9163104 AND BELOW CANADA 7059933 AND BELOW
6	12-26014		1	WASHER, LATCH BASE SCREW UNITED STATES 4726797 AND BELOW AUSTRALIA 8046299 AND BELOW BELGIUM 9163104 AND BELOW CANADA 7059933 AND BELOW
7	17-39599		1	PIN PIVOT - FRONT COVER LATCH HOOK UNITED STATES 4726797 AND BELOW AUSTRALIA 8046299 AND BELOW BELGIUM 9163104 AND BELOW CANADA 7059933 AND BELOW
8	60866		1	HOOK, FRONT COVER LATCH UNITED STATES 4726797 AND BELOW AUSTRALIA 8046299 AND BELOW BELGIUM 9163104 AND BELOW CANADA 7059933 AND BELOW
9	24-39598		1	SPRING, TORSION - FRONT COVER LATCH HOOK UNITED STATES 4726797 AND BELOW AUSTRALIA 8046299 AND BELOW BELGIUM 9163104 AND BELOW CANADA 7059933 AND BELOW
10	2137-3878A6		1	WRAP AROUND COWL ASSEMBLY
11	46785A1		2	COWL ASSEMBLY ASSEMBLY
12	30413		2	HOOK, COWL LATCH FASTENING
13	76259		1	BLANKET, SOUND ABSORBING - WRAP AROUND COWL
-	92-25234--1		1	GLUE, ADHESIVE - BLANKET FASTENING

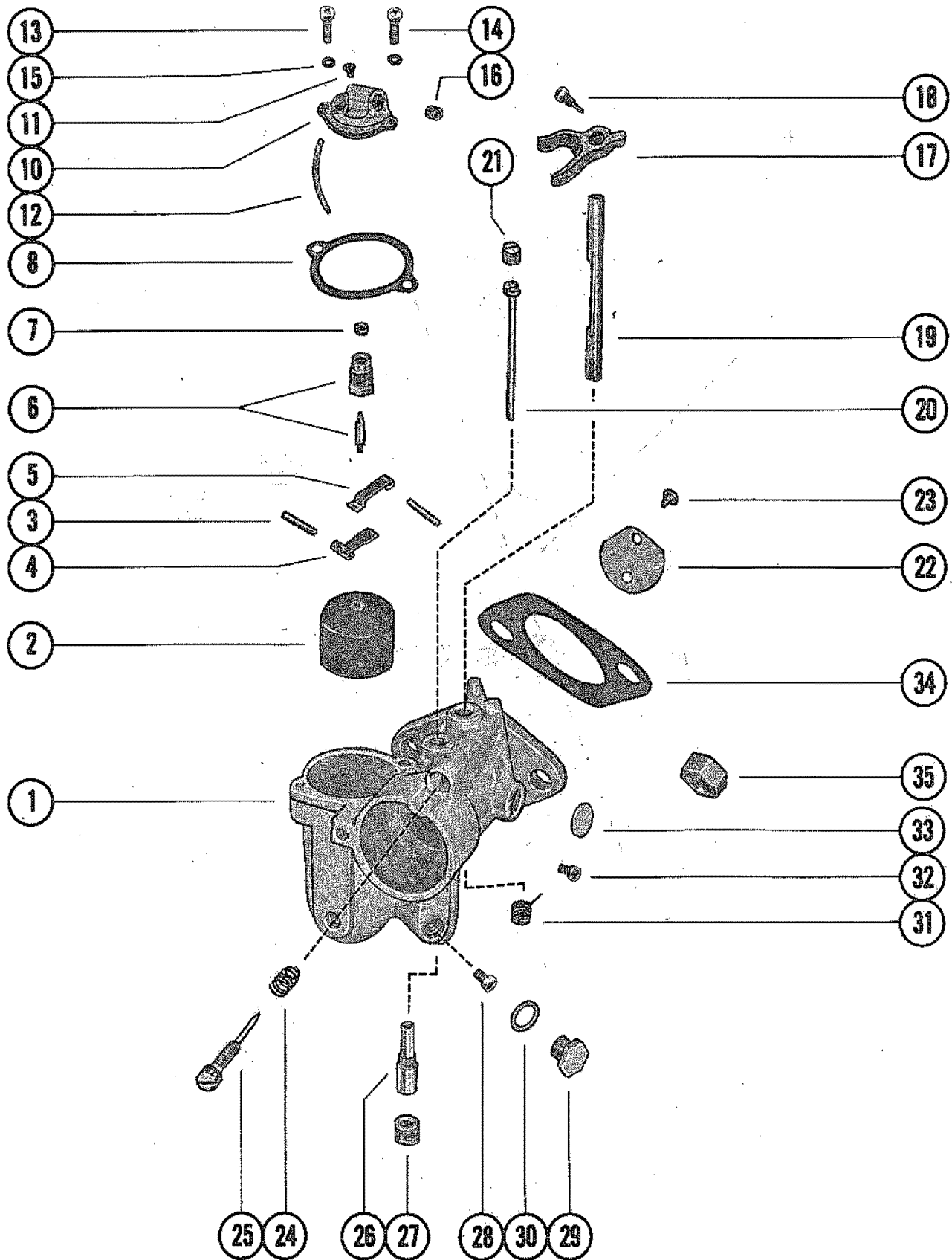
# CARBURETOR CHOKE LINKAGE



## CARBURETOR CHOKE LINKAGE

REF. NO.	PART NO.	SYM.	QTY.	DESCRIPTION
1	47969		1	KNOB AND SHAFT, CHOKE
2	12-30314		1	WASHER, CHOKE SHAFT
3	21-47968		1	SPRING, COMPRESION - CHOKE SHAFT
4	55180		1	LEVER, CHOKE
5	1368-5805A1		1	CARBURETOR ASSEMBLY (SEE PAGE 7 FOR BREAKDOWN)
6	16-69016		1	STUD, CHOKE SHUTTE PIVOT (CARBURETOR)
7	55179		1	SHUTTER, CHOKE - CARBURETOR
8	24-55163		1	SPRING, TENSION - CHOKE SHUTTER
9	12-47960		1	WASHER, CHOKE SHUTTER CARBURETOR STUD
10	11-20110		1	NUT, CHOKE SHUTTER TO CARBURETOR STUD
11	35-57819		1	SCREEN, CARBURETOR
12	10-58185		1	SCREW, SCREEN TO CARBURETOR (1")
13	24-57818		1	SPRING, TENSION - SCREEN SCREW
14	12-46101		1	WASHER, SCREEN SCREW
15	11-20110		1	NUT, SCREEN SCREW

# CARBURETOR ASSEMBLY

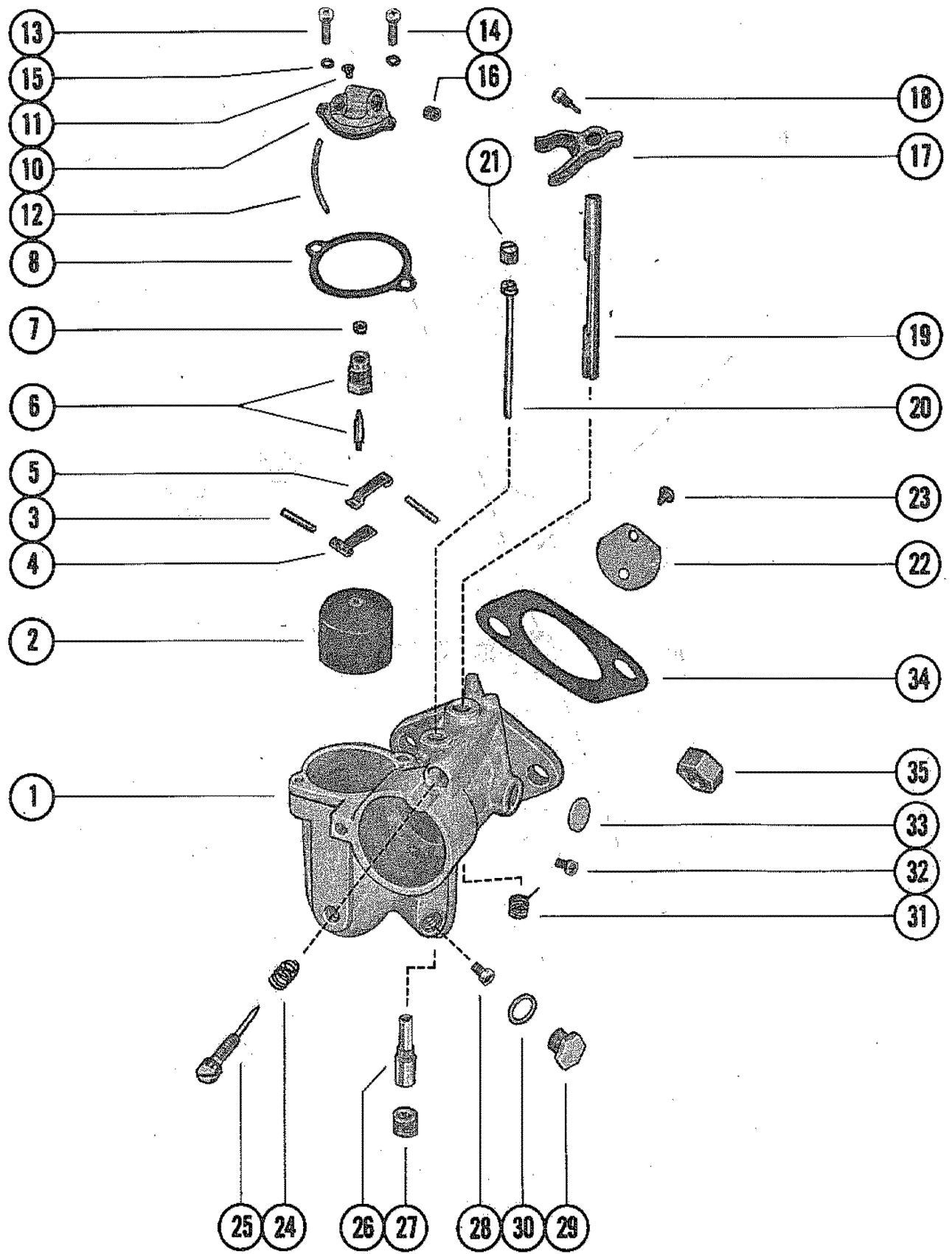


# CARBURETOR ASSEMBLY

REF. NO.	PART NO.	SYM.	QTY.	DESCRIPTION
1	1368-5805A1		1	CARBURETOR ASSEMBLY
2	1395-5353		1	FLOAT ASSEMBLY
3			2	PIN,FLOAT LEVER PINION
4			1	KEVERM FKAT (LOWER)
5			1	LEVER, FLOAT (UPPER)
6	1395-4555		1	INLET NEEDLE, SEAT AND GASKET
7			1	GASKET, INLET SEAT
8			1	GASEKT, FLOAT BOWL COVER
10	1395-5680		1	COVER, FLOAT BOWL
11	1395-5733		1	JET, BOWL VENT
12	1395-5734		1	HOSE, ECONOMIZER
13	10-52195		1	SCREW, FLOAT BOWL COVER
14	1395-4804		1	SCREW, FLOAT BOWL COVER
15	13-26995		2	LOCKWASHER, FLOAT BOWL COVER SCREW
16	1395-4805		1	SCREEN,FILTER
17	56498		1	CLUSTER, THROTTLE UNITED STATES 4362214 AND BELOW AUSTRALIA 8036449 AND BELOW BELGIUM 9108563 AND BELOW CANADA 7070272 AND BELOW
	74371		1	CLUSTER, THROTTLE UNITED STATES 4362215 AND UP AUSTRALIA 8036450 AND UP BELGIUM 9108564 AND UP CANADA 7070273 AND UP
18	10-20847		1	SCREW, THROTTLE STOP LEVER
19	1399-3527		1	SHAFT, THROTTLE
20			1	TUBE, IDLE
21	1395-4540		1	SCREW, BOD (IDLE TUBE)
22	1399-3528		1	SHUTTER, THROTTLE
23			2	SCREW AND LOCKWASHER, THROTTLE SHUTTER
24			1	SPRING, IDLE ADJUSTMENT SCREW
25	1399-5315		1	SCREW, IDLE ADJUSTMENT
26			1	NOZZLE MAIN
27	1395-4542		1	SCREW, PLUG - MAIN NOZZLE
28	1399-3519		OPT.	JET MAIN FULE (.080)
	1399-3520		1	JET, MAIN (.0785) - STANDARD
	1399-3796		OPT.	JET, MAIN FUEL (.076)
	1399-3794		OPT.	JET, MAIN FUEL (.074)
29	1395-4541		1	SCREW, PLUG - MAIN FUEL JET CHANNEL
30			1	GASKET, JET CHANNEL PLUG SCREW
31			1	SPRING, THROTTLE SHAFT RETURN
32	1395-4543		1	SCREW, BODY CHANNEL

CONTINUED ON NEXT PAGE ➡

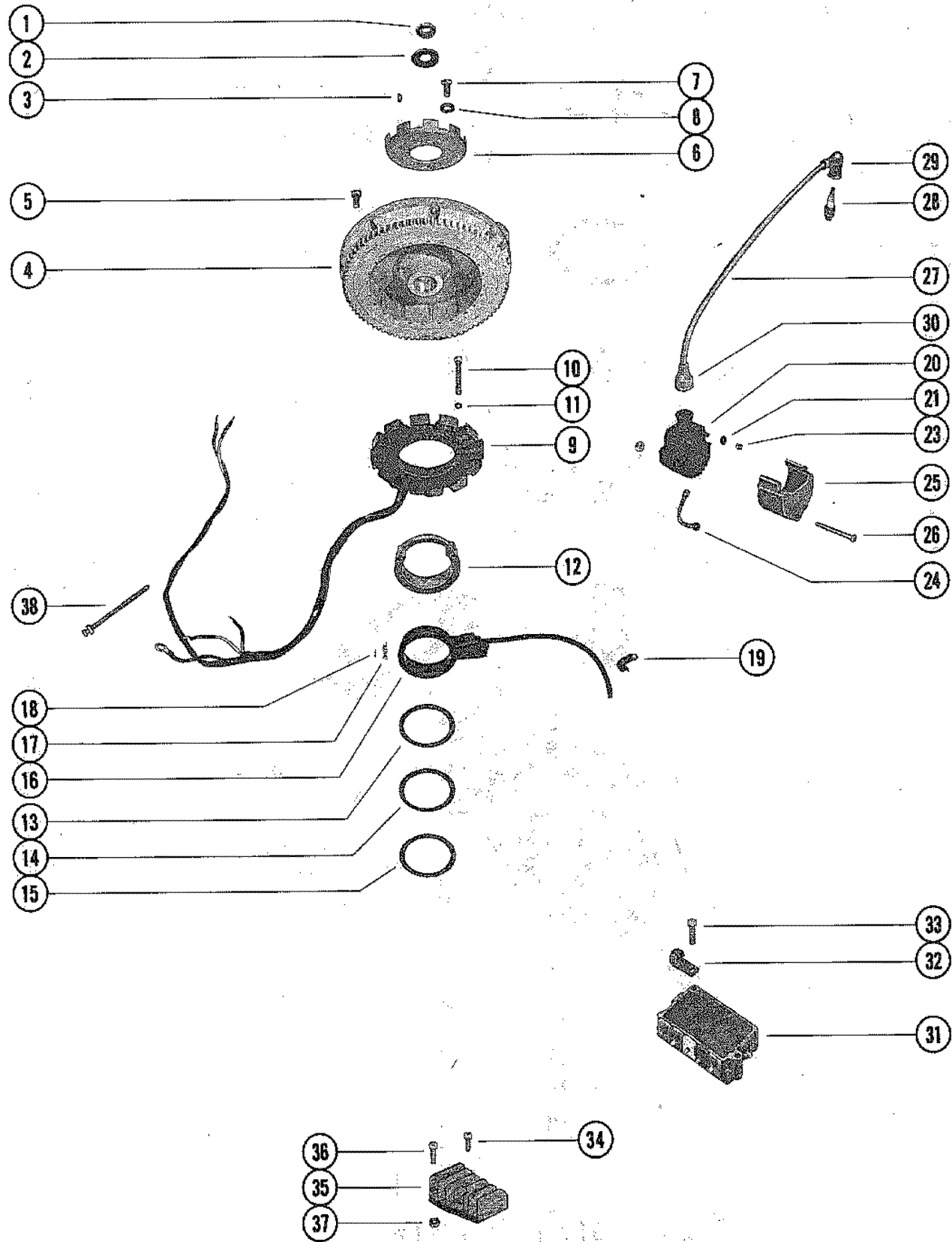
# CARBURETOR ASSEMBLY



# CARBURETOR ASSEMBLY

REF. NO.	PART NO.	SYM.	QTY.	DESCRIPTION
33			1	WELCH PLUG, BODY CHANNEL
-	<b>1395-4808</b>		<b>1</b>	<b>GASKET, PACKING SET (1 PER CARBURETOR)</b>
-	<b>1395-5816</b>		<b>1</b>	<b>REPAIR PARTS KIT (1 PER CARBURETOR)</b>
34	27-48164		1	GASKET, CARUBRETOR FLANGE
35	11-64809		2	NUT, CARBURETOR MOUNTING STUD

# FLYWHEEL, IGNITION COIL AND SWITCH BOX



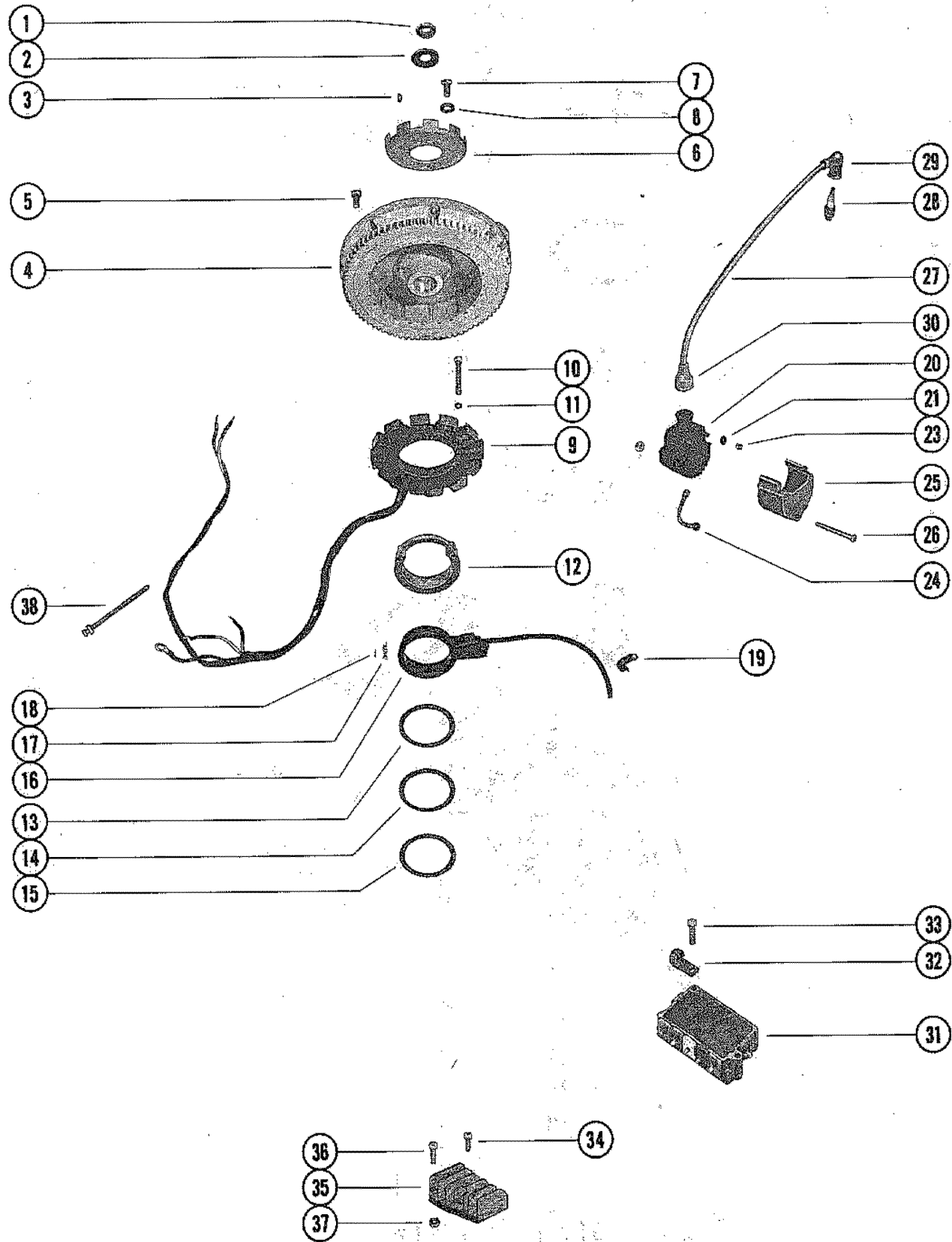


# FLYWHEEL, IGNITION COIL AND SWITCH BOX

REF. NO.	PART NO.	SYM.	QTY.	DESCRIPTION
1	11-22339		1	NUT, FLYWHEEL
2	12-36258		1	WASHER, FLYWHEEL NUT
3	28-45554		1	KEY, FLYWHEEL DRIVE
4	242-4764A7		1	FLYWHEEL ASSEMBLY UNITED STATES 4726797 AND BELOW AUSTRALIA 8046299 AND BELOW BELGIUM 9163104 AND BELOW CANADA 7059933 AND BELOW
	242-4764A16		1	FLYWHEEL ASSEMBLY (MANUAL) UNITED STATES 4726798 AND UP AUSTRALIA 8046300 AND UP BELGIUM 9163105 AND UP CANADA 7101848 AND UP
	242-4764A15		1	FLYWHEEL ASSEMBLY (ELECTRIC) UNITED STATES 4726798 AND UP AUSTRALIA 8046300 AND UP BELGIUM 9163105 AND UP CANADA 7101848 AND UP
5	10-32417		8	SCREW, FLEXIBLE PLATE TO FLYWHEEL (9/16")
6	50-65213		1	RATCHET, FLYWHEEL
7	10-69088		8	SCREW, RATCHET TO FLYWHEEL (7/8") UNITED STATES 4362214 AND BELOW AUSTRALIA 8036449 AND BELOW BELGIUM 9108563 AND BELOW CANADA 7070272 AND BELOW
	10-38398		8	SCREW, RATCHET TO FLYWHEEL (7/8") UNITED STATES 4362215 AND UP AUSTRALIA 8036450 AND UP BELGIUM 9108564 AND UP CANADA 7070273 AND UP
8	13-20202		2	LOCKWASHER, RATCHET SCREW
9	398-5256		1	STATOR, IGNITION (MANUAL)
	398-5255		1	STATOR, ALTERNATOR (ELECTRIC)
10	10-56787		4	SCREW, STATOR TO UPPER END CAPT (2")
11	13-26996		4	LOCKWASHER, STATOR SCREW
12	61830		1	STATOR SUPPORT
13	12-62133		1	WASHER, TRIGGER TO STATOR SUPPORT (UPPER)
14	13-61983		1	WASHER, WAVE - TRIGGER TO STATOR SUPPORT (CENTER)
15	12-61982		1	WASHER, TRIGGER TO STATOR SUPPORT (LOWER)
16	338-4731A6		1	TRIGGER PLATE ASSEMBLY
17	24-62095		1	SPRING, COMPRESSION
18	17-62768		1	PIN, SPRING RETENTION
19	54-54457		1	"J" CLIP, TRIGGER LEADS TO RUBBER SUPPORT MOUNT
20	339-5288A2		2	IGNITION COIL ASSEMBLY, COMPLETE UNITED STATES 4362214 AND BELOW AUSTRALIA 8036449 AND BELOW BELGIUM 9108563 AND BELOW CANADA 7070272 AND BELOW
	339-5748A2		2	IGNITION COIL ASSEMBLY, COMPLETE UNITED STATES 4362215 AND UP AUSTRALIA 8036450 AND UP BELGIUM 9108564 AND UP CANADA 7070273 AND UP
21	23-62769		2	SPACER, COIL SWITCH BOX LEAD TERMINAL
23	11-45076		4	NUT, COIL TERMINALS
24	84-60466A1		2	GROUND WIRE, COIL GROUND TO COIL COVER SCREW
25	76254		2	COVER, IGNITION COIL
26	10-69002		2	SCREW, COIL COVER TO COIL BRACKET (1 2/4")
	10-60194		4	SCREW, COIL COVER TO COIL BRACKET (2 1/8")

CONTINUED ON NEXT PAGE ➡

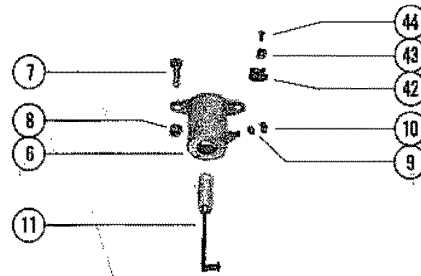
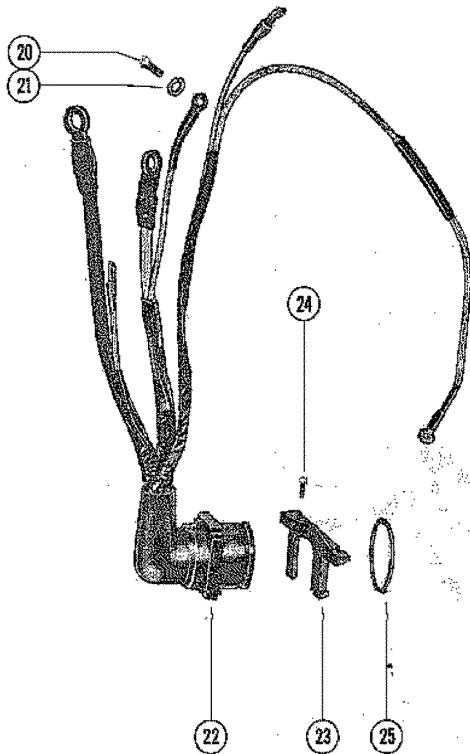
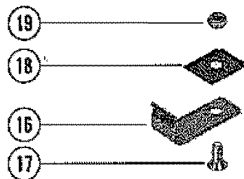
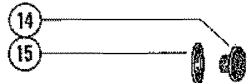
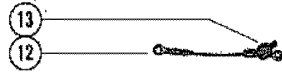
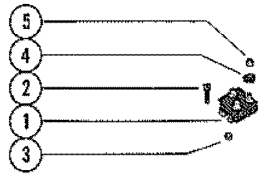
# FLYWHEEL, IGNITION COIL AND SWITCH BOX



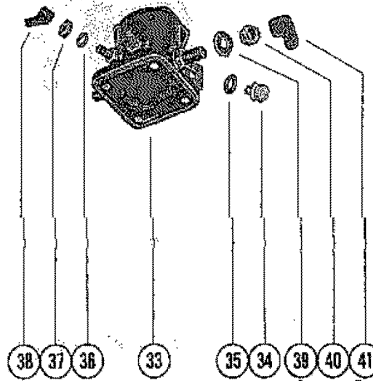
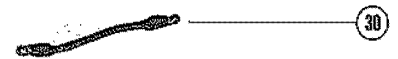
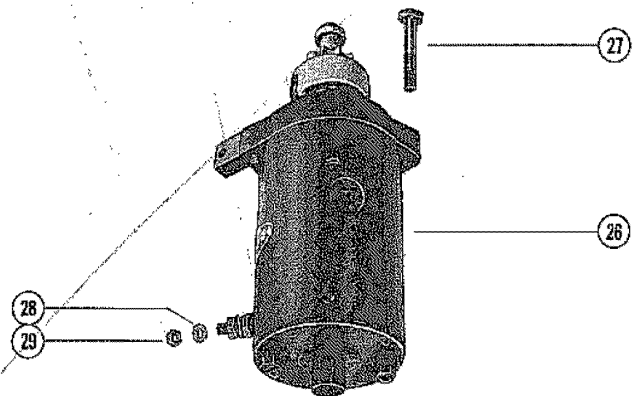
## FLYWHEEL, IGNITION COIL AND SWITCH BOX

REF. NO.	PART NO.	SYM.	QTY.	DESCRIPTION
27	84-63212A2		2	LEAD ASSEMBLY, SPARK PLUG (HIGH TENSION)
28	33-57451		2	SPARK PLUG (AC#V40FFM)
29	85-71006A1		2	PROTECTOR ASSEMBLY, SPARK PLUG
30	332-2854		2	BOOT, LEAD TO IGNITION COIL
31	332-4911A5		1	SWITCH BOX ASSEMBLY, COMPLETE
32	54-54457		2	"J" CLIP, SWITCH BOX LEADS
33	10-69067		2	SCREW, SWITCH BOX "J" CLIP TO BRACKET
34	10-45218		6	SCREW, TERMINAL BLOCK AND SWITCH BOX (3/8")
35	86-66754		1	TERMINAL BLOCK, SWITCH BOX LEAD
36	10-20646		2	SCREW, TERMINAL BLOCK ATTACHING
37	11-20190		2	NUT, TERMINAL BLOCK ATTACHING SCREWS
38	30660		1	STA-STRAP, STATOR LEADS

# STARTER MOTOR, RECTIFIER AND WIRING HARNESS



**ELECTRIC ONLY**

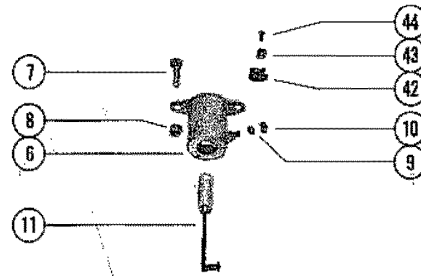
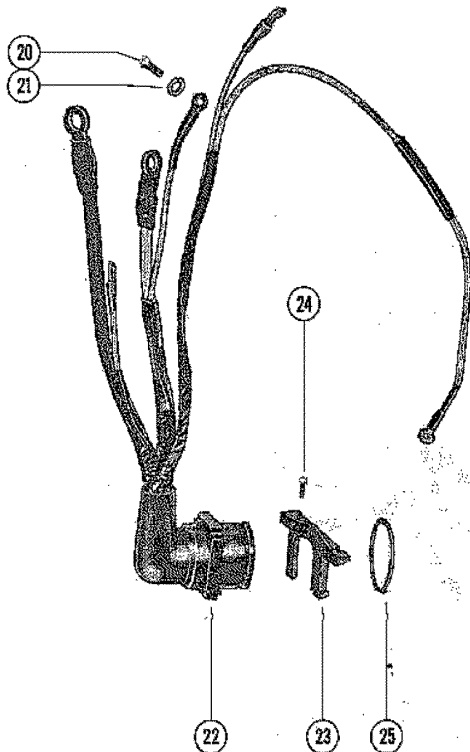
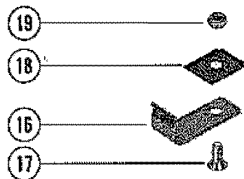
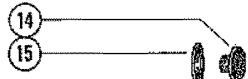
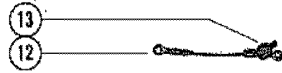
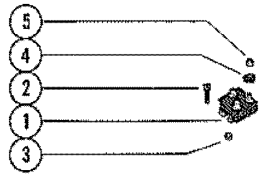


# STARTER MOTOR, RECTIFIER AND WIRING HARNESS

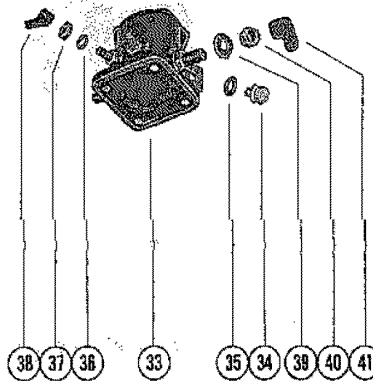
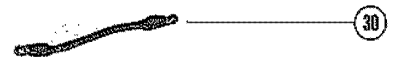
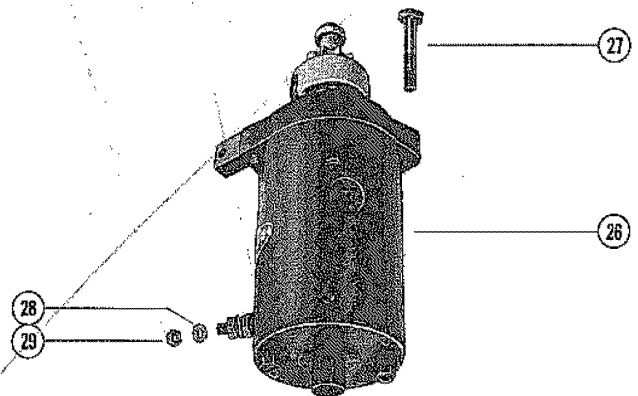
REF. NO.	PART NO.	SYM.	QTY.	DESCRIPTION
1	62351A2		1	RECTIFIER ASSEMBLY UNITED STATES 4362214 AND BELOW AUSTRALIA 8036449 AND BELOW BELGIUM 9108563 AND BELOW CANADA 7070272 AND BELOW
	62351A1		1	RECTIFIER ASSEMBLY UNITED STATES 4362215 AND UP AUSTRALIA 8036450 AND UP BELGIUM 9108564 AND UP CANADA 7070273 AND UP
2	10-25764		2	SCREW, RECTIFIER TO FRONT SUPPORT BRACKER (1/2")
3	11-73231		2	NUT, RECTIFIER FASTENING SCREW
4	23-62769		1	SPACER, RECTIFIER TERMINAL - BATTERY LEAD
5	11-45076		3	NUT, RECTIFIER TEMRINAL (10-32)
6	54293A5		1	CHOKE SOLENOID ASSEMBLY
7	10-65263		2	SCREW, CHOKE SOLENOID FRONT SUPPORT BRACKET (1")
8	11-46793		2	NUT, CHOKE SOLENOID SCREW
9	13-26996		1	LOCKWASHER, CHOKE SOLENOID TERMINAL
10	11-45076		1	NUT, CHOKE SOLENOID TERMINAL
11	56074A2		1	PLUNGER ASSEMBLY, CHOKE SOLENOID
12	84-61393A1		1	LEAD ASSEMBLY, RECTIFIER TO STARTER SOLENOID (4 7/8")
13	85-62453		1	BOOT, LEAD WIRE
14	19-35827		1	PLUG, BOTTOM COWL PART OF BOTTOM COWL ASSEMBLY
15	53-30428		1	FASTENER, PLUG TO BOTTOM COWL PART OF BOTTOM COWL ASSEMBLY
16	34228		1	SUPPORT, EXTERNAL WIRING HARNESS
17	10-67917		1	SCREW, SUPPORT TO BOTTOM COWL (5/8")
18	52907		1	INSULATOR, SUPPORT TO BOTTOM COWL
19	11-69431		1	NUT, SUPPORT FASTENING SCREW
20	10-69052		1	SCREW, WIRING HARNESS GROUND TO BOTTOM COWL (1/2")
21	13-24669		1	LOCKWASHER, WIRING HARNESS GROUND SCREW
22	84-66297		1	WIRING HARNESS (INTERNAL) UNITED STATES 4362214 AND BELOW AUSTRALIA 8036449 AND BELOW BELGIUM 9108563 AND BELOW CANADA 7070272 AND BELOW
	84-73826		1	WIRING HARNESS (INTERNAL) UNITED STATES 4362215 AND UP AUSTRALIA 8036450 AND UP BELGIUM 9108564 AND UP CANADA 7070273 AND UP
23	54-76368		1	CLAMP, WIRING HARNESS ATTACHING
24	10-69013		2	SCREW, WIRING HARNESS CLAMP TO BOTTOM COWL (7/8")
25	24-28975		1	SPRING, GARTER - INTERNAL WIRING HARNESS
26	50-55601		1	STARTER MOTOR ASSEMBLY
27	10-35213		2	SCREW, STARTER MOTOR TO CRANKCASE (5/8")
28	13-26993		1	LOCKWASHER, CABLE TO STARTER MOTOR NUT
29	11-20890		1	NUT, CABLE TO STARTER MOTOR
30	56466		1	CABLE, STARTER MOTOR TO STARTE RSOLENOID
31	32107		1	GROUND WIRE, STARTER MOTOR TO FRONT SUPPORT BRACKET
32	10-29197		1	SCREW, GROUND WIRE TO STARTER MOTOR (5/8")
33	25661		1	SOLENOID, STARTER

CONTINUED ON NEXT PAGE ➡

# STARTER MOTOR, RECTIFIER AND WIRING HARNESS



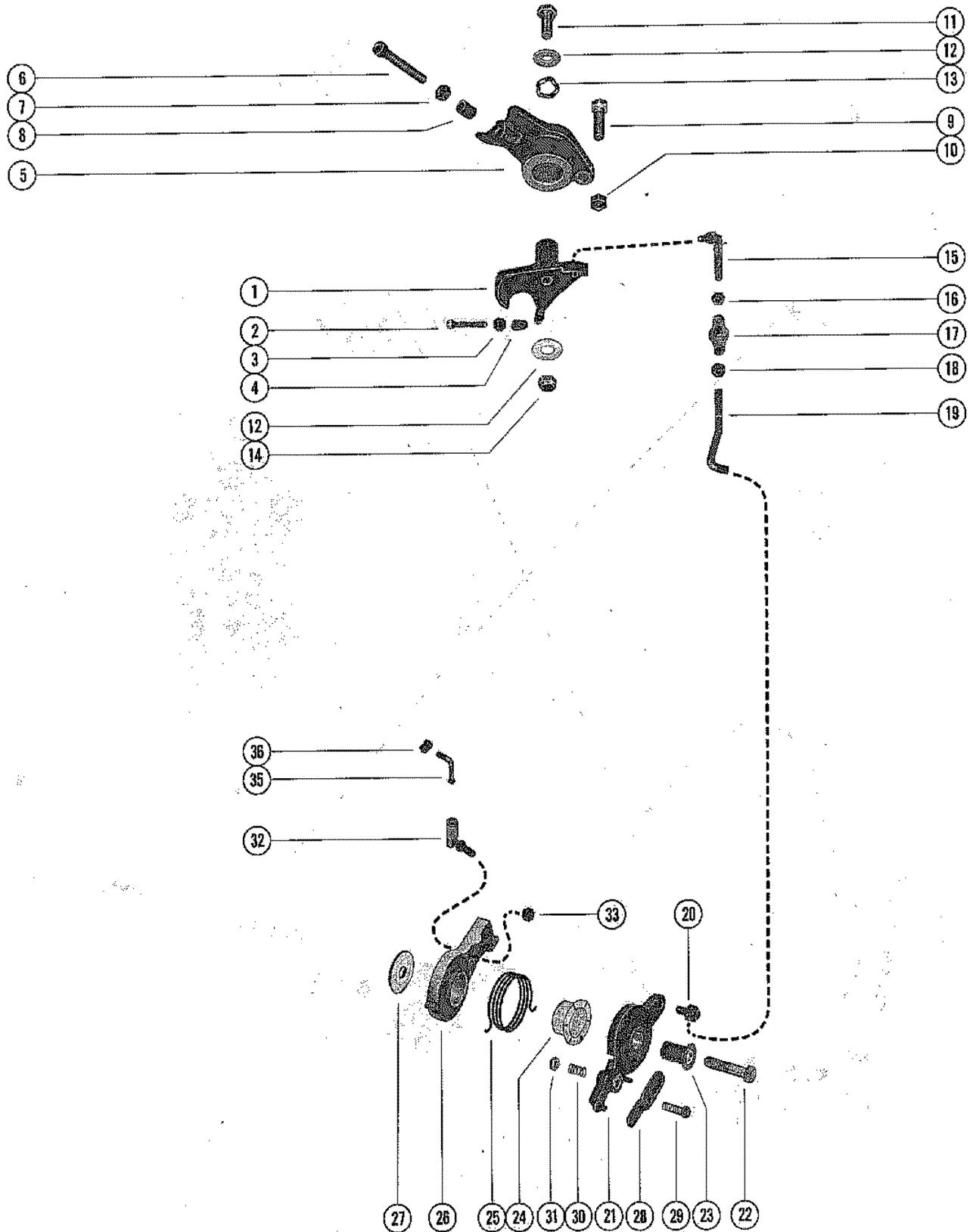
**ELECTRIC ONLY**



# STARTER MOTOR, RECTIFIER AND WIRING HARNESS

REF. NO.	PART NO.	SYM.	QTY.	DESCRIPTION
34	10-21625		2	SCREW, STARTER SOLENOID TO FRONT SUPPORT BRACKET (3/4")
35	13-26992		2	WASHER, STARTER SOLENOID SCREW
36	13-26996		2	LOCKWASHER, STARTER SOLENOID TERMINAL (#10)
37	11-20645		2	NUT, STARTER SOLENOID TERMINAL (#10)
38	38938		2	BOTT, RUBBER - STARTER SOLENOID TERMINAL (SMALL)
39	13-26993		2	LOCKWASHER, STARTER SOLENOID TERMINAL (5/16")
40	77-829		2	NUT, STARTER SOLENOID TERMINAL (5/16")
41	46265		1	BOOT, RUBBER - STARTER SOLENOID TERMINAL (LARGE)
42	54-24871		1	CLAMP, CHOKE SOLENOID LEAD WIRE
43	22789		1	"C" WASHER, LEAD WIRE CLAMP
44	10-62568		1	SCREW, CLAMP ATTACHING (3/8")

# THROTTLE CONTROL LINKAGE AND SPARK ADVANCE

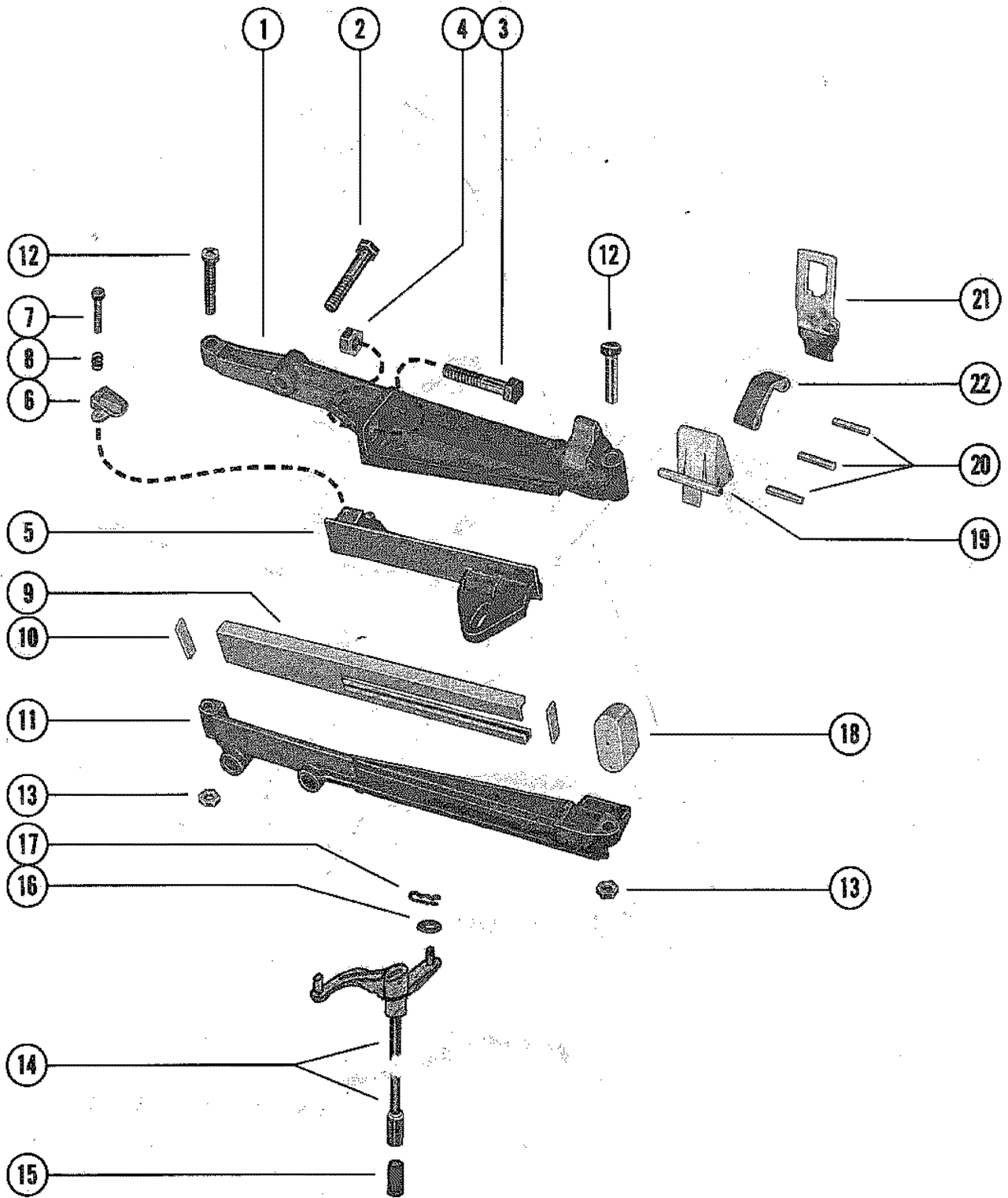




# THROTTLE CONTROL LINKAGE AND SPARK ADVANCE

REF. NO.	PART NO.	SYM.	QTY.	DESCRIPTION
1	63123		1	THROTTLE CAM ACTUATOR
2	10-63102		1	SCREW,ADJUSTING-THROTTLE CAM
3	11-64015		1	NUT,JAM-ADJUSTING SCREW
4	26852		1	CAP,NYLON-ADJUSTING SCREW
5	39522		1	BRACKET, THROTTLE CONTROL SHAFT(NOT AS SHOWN)
6	10-64021		1	SCREW,ADJUSTING-THROTTLE CONTROL BRACKET (1 7/8")
7	11-64015		1	NUT,JAM-ADJUSTING SCREW
8	26852		1	CAP,NYLON-ADJUSTING SCREW
9	10-20639		2	SCREW,THROTTLE CONTROL BRACKET (1 1/8")
10	11-46793		2	NUT,THROTTLE CONTROL BRACKET SCREW
11	10-69047		1	SCREW,THROTTLE CONTROL BRACKET TO THROTTLE CAM(2 3/8")
12	12-25893		2	WASHER,THROTTLE CONTROL BRACKET TO THROTTLE CAM SCREW
13	13-62172		1	WAVE WASHER,THROTTLE BRACKET/THROTTLE CAM SCREW
14	11-46793		1	NUT,THROTTLE CONTROL BRACKET TO THROTTLE CAM SCREW
15	62171		1	BALL JOINT,THROTTLE CAM
16	11-20013		1	NUT,JAM-BALL JOINT TO TURNBUCKLE
17	62174		1	TURNBUCKLE,SPARK ADVANCE LINKAGE
18	11-20754		1	NUT,JAM-UPPER LINK ROD TO TURNBUCKLE
19	62173		1	ROD,LINK UPPER
20	57440		1	SWIVEL,UPPER LINK ROD TO THROTTLE CONTROL LEVER
21	55187		1	LEVER,THROTTLE CONTROL
22	10-55337		1	SCREW,THROTTLE CONTROL LEVER TO CYLINDER BLOCK(1 3/4")
23	23-55164		1	BUSHING,THROTTLE CONTROL LEVER SCREW
24	23-55171		1	BUSHING,THROTTLE CONTROL LEVER SCREW
25	24-55162		1	SPRING,RETURN-SPARK ADVANCE LEVER
26	61831		1	LEVER,SPARK ADVANCE
27	12-28008		1	WASHER,THROTTLE CONTROL LEVER SCREW
28	39483		1	LATCH,THROTTLE CONTROL LEVER (THROTTLE CABLE)
29	10-22486		1	SCREW,LATCH TO THROTTLE CONTROL LEVER (7/8")
30	24-20099		1	SPRING,COMPRESSION-LATCH SCREW
31	11-20586		1	NUT,LATCH SCREW
32	62459		1	BALL JOINT,SPARK ADVANCE LEVER
33	11-46438		1	NUT,BALL JOINT TO SPARK ADVANCE LEVER
35	61940		1	LINK ROD
36	61939		1	PIVOT,THREADED-TRIGGER PLATE TO LINK ROD

# SHIFT CONTROL LINKAGE

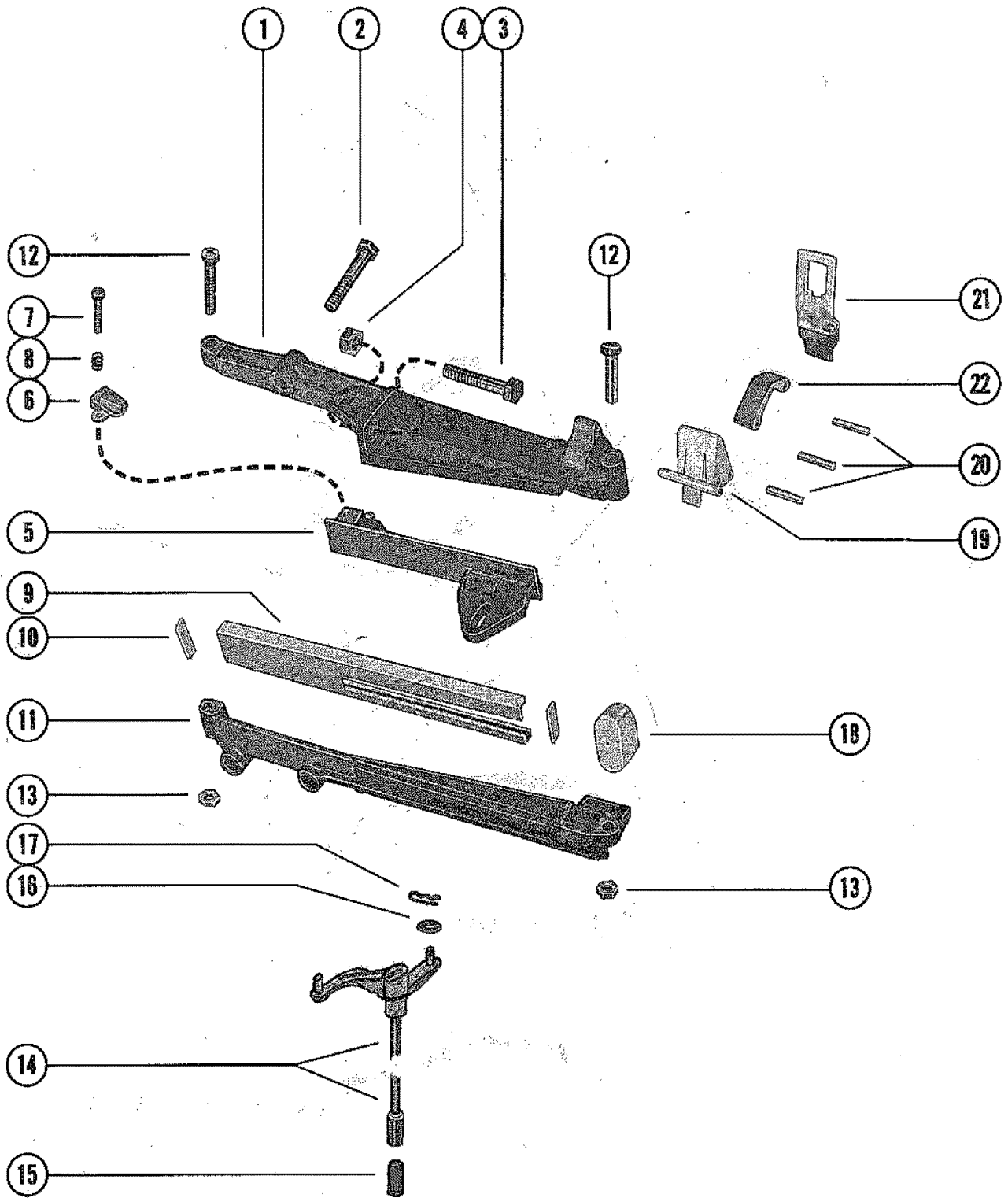


# SHIFT CONTROL LINKAGE

REF. NO.	PART NO.	SYM.	QTY.	DESCRIPTION
1	55334		1	BRACKET,SHIFT ANCHOR-UPPER UNITED STATES 4564001 AND BELOW AUSTRALIA 8041799AND BELOW BELGIUM 9135224 AND BELOW CANADA 7086372 AND BELOW
	75716		1	BRACKET,SHIFT ANCHOR-UPPER UNITED STATES 4564002 AND UP AUSTRALIA 8041800 AND UP BELGIUM 9135225 AND UP CANADA 7086373 AND UP
2	10-73657		2	SCREW, ANCHOR BRACKET TO CYLINDER BLOCK (1 1/2")
	10-52447		1	SCREW, ANCHOR BRACKET TO CYLINDER BLOCK (2 1/8")
3	10-69096		1	SCREW,BRACKET TO CRANKCASE (1 3/4") UNITED STATES 4564001 AND BELOW AUSTRALIA 8041799AND BELOW BELGIUM 9135224 AND BELOW CANADA 7086372 AND BELOW
4	11-46793		1	NUT, BRACKET SCREW UNITED STATES 4564001 AND BELOW AUSTRALIA 8041799AND BELOW BELGIUM 9135224 AND BELOW CANADA 7086372 AND BELOW
3	10-35385		1	SCREW, BRACKET TO CRANKCASE (1 3/4") UNITED STATES 4564002 AND UP AUSTRALIA 8041800 AND UP BELGIUM 9135225 AND UP CANADA 7086373 AND UP
5	39472		1	SLIDE, SHIFT ACTUATING UNITED STATES 4362214 AND BELOW AUSTRALIA 8036449 AND BELOW BELGIUM 9108563 AND BELOW CANADA 7070272 AND BELOW
	72851		1	SLIDE,SHIFT ACTUATING UNITED STATES 4362215 THRU 4564001 AUSTRALIA 8036450 THRU 8041799 BELGIUM 9108564 THRU 9135224 CANADA 7059933 THRU 7086372
	75713		1	SLIDE, SHIFT ACTUATING UNITED STATES 4564002 AND UP AUSTRALIA 8041800 AND UP BELGIUM 9135225 AND UP CANADA 7086373 AND UP
6	56193		1	LATCH, SHIFT ACTUATING SLIDE (SHIFT CABLE)
7	10-39620		1	SCREW, LATCH TO SHIFT ACTUATING SLIDE
8	24-27087		1	SPRING,COMPRESSION-LATCH SCREW
9	39516		1	SLIDE, NYLON-ANCHOR BRACKET UNITED STATES 4564001 AND BELOW AUSTRALIA 8041799AND BELOW BELGIUM 9135224 AND BELOW CANADA 7086372 AND BELOW
	75717		1	SLIDE, NYLON- ANCHOR BRACKET UNITED STATES 4564002 AND UP AUSTRALIA 8041800 AND UP BELGIUM 9135225 AND UP CANADA 7086373 AND UP
10	39515		2	END CAP,NYLON- ANCHOR BRACKET SLIDE
11	39448		1	BRACKET, SHIFT ANCHOR-LOWER UNITED STATES 4564001 AND BELOW AUSTRALIA 8041799AND BELOW BELGIUM 9135224 AND BELOW CANADA 7086372 AND BELOW
	75715		1	BRACKET, SHIFT ANCHOR-LOWER UNITED STATES 4564002 AND UP AUSTRALIA 8041800 AND UP BELGIUM 9135225 AND UP CANADA 7086373 AND UP
12	10-20012		2	SCREW,UPPER BRACKET TO LOWER BRACKET (1 5/8")
13	11-20586		2	NUT, UPPER ANCHOR BRACKET SCREW
14	59110A2		1	SHIFT SHAFT ASSEMBLY (SHORT SHAFT) UNITED STATES 4275244 AND BELOW AUSTRALIA 8033704 AND BELOW BELGIUM 9099813 AND BELOW CANADA 7059932 AND BELOW

CONTINUED ON NEXT PAGE ➡

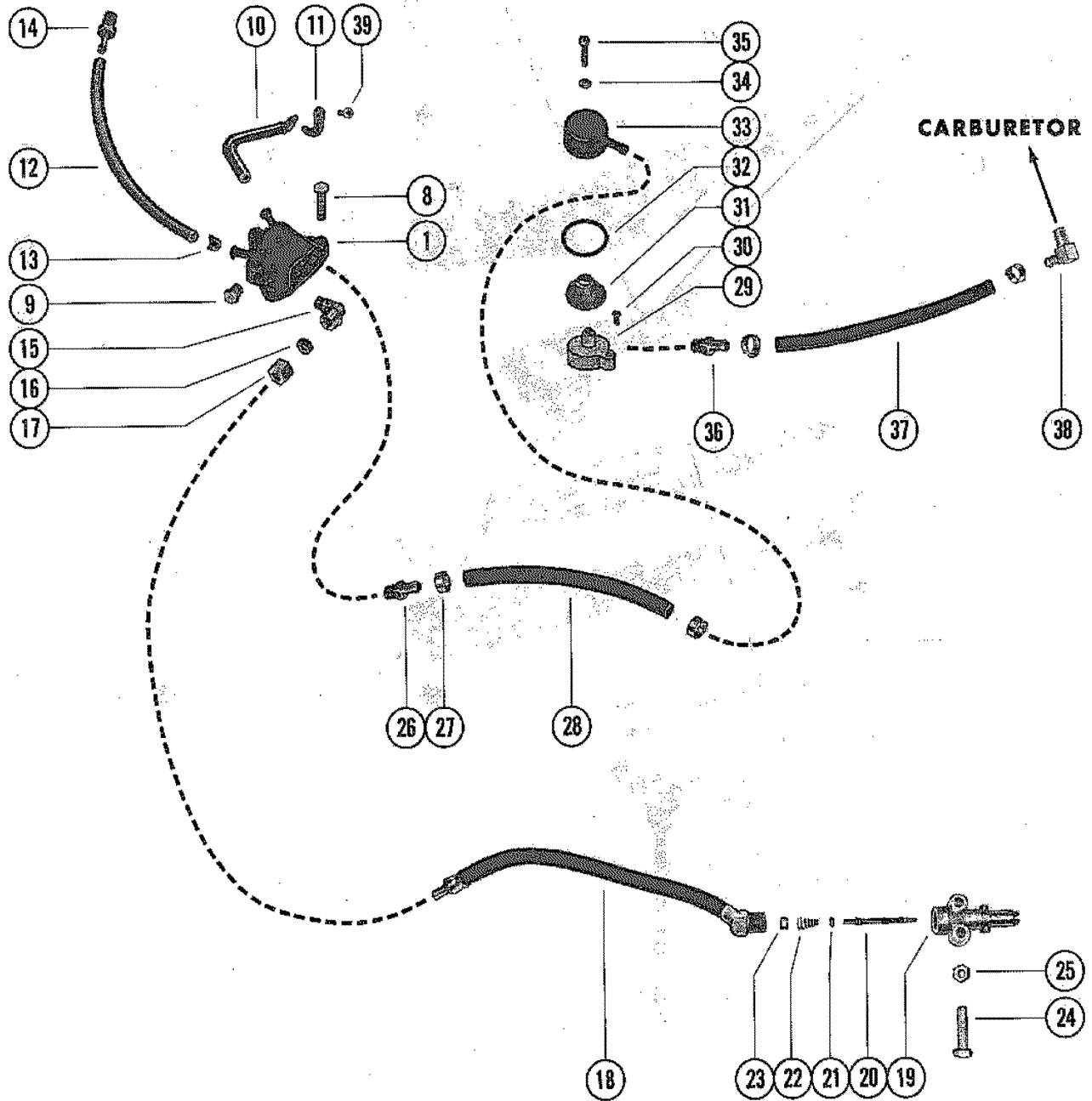
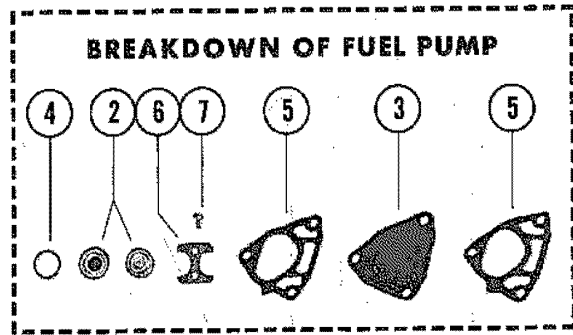
# SHIFT CONTROL LINKAGE



# SHIFT CONTROL LINKAGE

REF. NO.	PART NO.	SYM.	QTY.	DESCRIPTION
14	59110A1		1	SHIFT SHAFT ASSEMBLY (LONG SHAFT) UNITED STATES 4275244 AND BELOW AUSTRALIA 8033704 AND BELOW BELGIUM 9099813 AND BELOW CANADA 7059932 AND BELOW
15	55692		1	COUPLING,UPPER SHIFT SHAFT UNITED STATES 4275244 AND BELOW AUSTRALIA 8033704 AND BELOW BELGIUM 9099813 AND BELOW CANADA 7059932 AND BELOW
14	69782A1		1	SHIFT SHAFT ASSEMBLY(MANUAL-SHORT SHAFT) UNITED STATES 4275245 THRU 4564001 AUSTRALIA 8033705 THRU 8041799 BELGIUM 9099814 THRU 9135224 CANADA 7059933 THRU 7086372
	74273A1		1	SHIFT SHAFT ASSEMBLY (ELECTRIC-SHORT SHAFT) UNITED STATES 4275245 THRU 4564001 AUSTRALIA 8033705 THRU 8041799 BELGIUM 9099814 THRU 9135224 CANADA 7059933 THRU 7086372
	69782A2		1	SHIFT SHAFT ASSEMBLY (MANUAL-LONG SHAFT) UNITED STATES 4275245 THRU 4564001 AUSTRALIA 8033705 THRU 8041799 BELGIUM 9099814 THRU 9135224 CANADA 7059933 THRU 7086372
	74273A2		1	SHIFT SHAFT ASSEMBLY (ELECTRIC-LONG SHAFT) UNITED STATES 4275245 THRU 4564001 AUSTRALIA 8033705 THRU 8041799 BELGIUM 9099814 THRU 9135224 CANADA 7059933 THRU 7086372
	75104A3		1	SHIFT SHAFT ASSEMBLY(SHORT SHAFT) UNITED STATES 4564002 AND UP AUSTRALIA 8041800 AND UP BELGIUM 9135225 AND UP CANADA 7086373 AND UP
	75104A4		1	SHIFT SHAFT ASSEMBLY (LONG SHAFT) UNITED STATES 4564002 AND UP AUSTRALIA 8041800 AND UP BELGIUM 9135225 AND UP CANADA 7086373 AND UP
16	12-37998		1	WASHER,UPPER SHIFT SHAFT-MANUAL
17	18-26953		1	COTTER PIN, UPPER SHIFT SHAFT -MANUAL
18	39519		1	CUP, RETAINER-ANCHOR BRACKET (SHIFT CABLE BARREL)
19	39618		1	LEVER, NYLON-SHIFT CABLE LOCKING (UPPER BRACKET)
20	17-47175		3	PIN,LOCKING LEVER AND COVER FASTENING
21	39667		1	COVER,NYLON-SHIFT CABLE
22	65799		1	LINK, LOCKING LEVER TO COVER

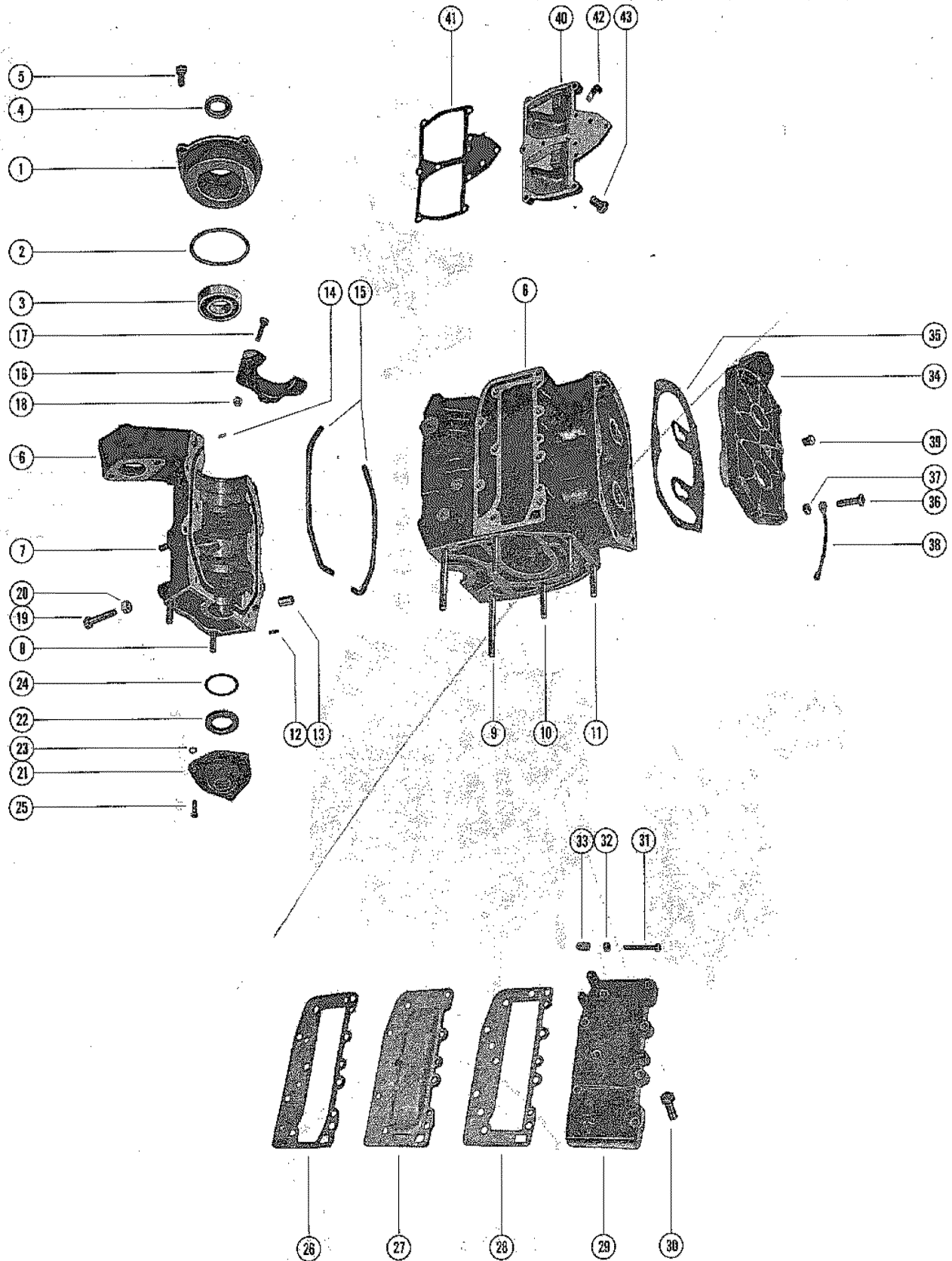
# FUEL PUMP ASSEMBLY AND FUEL LINES



## FUEL PUMP ASSEMBLY AND FUEL LINES

REF. NO.	PART NO.	SYM.	QTY.	DESCRIPTION
1	62973A4		1	FUEL PUMP ASSEMBLY
2	21-30430A3		1	CHECK VALVE ASSEMBLY
3	55278A1		1	DIAPHRAGM KIT
4			2	GASKET, CHECK VALVE TO HOUSING
5			2	GASKET,FUEL PUMP
6	23004		1	RETAINER,CHECK VALVE
7	10-98789		2	SCREW,RETAINER TO HOUSING
8	10-69093		3	SCREW,FUEL PUMP MOUNTING(1 1/2")
9	22-32802		1	PLUG,PIPE-FUEL PUMP
10	69791A2		1	HOSE AND NOZZLE, TELL TALE-PART OF BOTTOM COWL ASSEMBLY
11	66849		1	CLAMP,TELL TALE HOSE AND NOZZLE-PART OF BOTTOM COWL ASSEMBLY
12	32-34395A1		1	HOSE ASSEMBLY,CYLINDER BLOCK TO FUEL PUMP (11")
13	54-20386		3	CLAMP,HOSE
14	22-29111		1	FITTING,BLOCK TO FUEL PUMP HOSE
15	22-70800		1	ELBOW,PUMP INLET TO FUEL LINE (90)
16	22-30175		1	SLEEVE,RUBBER-ELBOW
17	22-30177		1	,NUT,ELBOW TO FUEL LINE
18	32-56367		1	FUEL LINE, FUEL PUMP TO ADAPTOR
19	22833		1	ADAPTOR, CHECK UNIT (FUEL PUMP)
20	23069		1	STEM,CHECK UNIT ADAPTOR
21	25-20415		1	"O" RING,ADAPTOR STEM
22	24-23067		1	SPRING,ADAPTOR STEM
23	30188		1	CUP WASHER,ADAPTOR
24	10-56500		2	SCREW,ADAPTOR TO BOTTOM COWL(1 1/4")
25	11-35045		2	NUT,ADAPTOR SCREW
26	22-70007		1	FITTING,FUEL
27	54-68424		4	CLAMP,FUEL LINE ATTACHING
28	32-63146		1	FUEL LINE, FUEL PUMP TO FILTER COVER (4 1/2")
29	70929		1	BASE,FUEL PUMP
30	10-71913		1	SCREW,BASE TO TRANSFER PORT COVER
31	35-59072		1	SCREEN, FILTER-INLET
32	25-47386		1	"O" RING, COVER TO HOUSING
33	59071		1	COVER, FUEL INLET
34	27-25848		1	GASKET, NYLON-FILTER COVER SCREW
35	10-37370		1	SCREW,COVER TO FUEL PUMP (5/8")
36	22-64705		1	FITTING,FILTER BASE
37	32-63146		1	FUEL LINE,FILTER COVER TO BASE PUMP(6")
38	22-64704		1	FITTING,ELBOW-CARBURETOR
39	10-48408		1	SCREW,CLAMP TO BOTTOM COWL

# CYLINDER BLOCK AND CRANKCASE ASSEMBLY



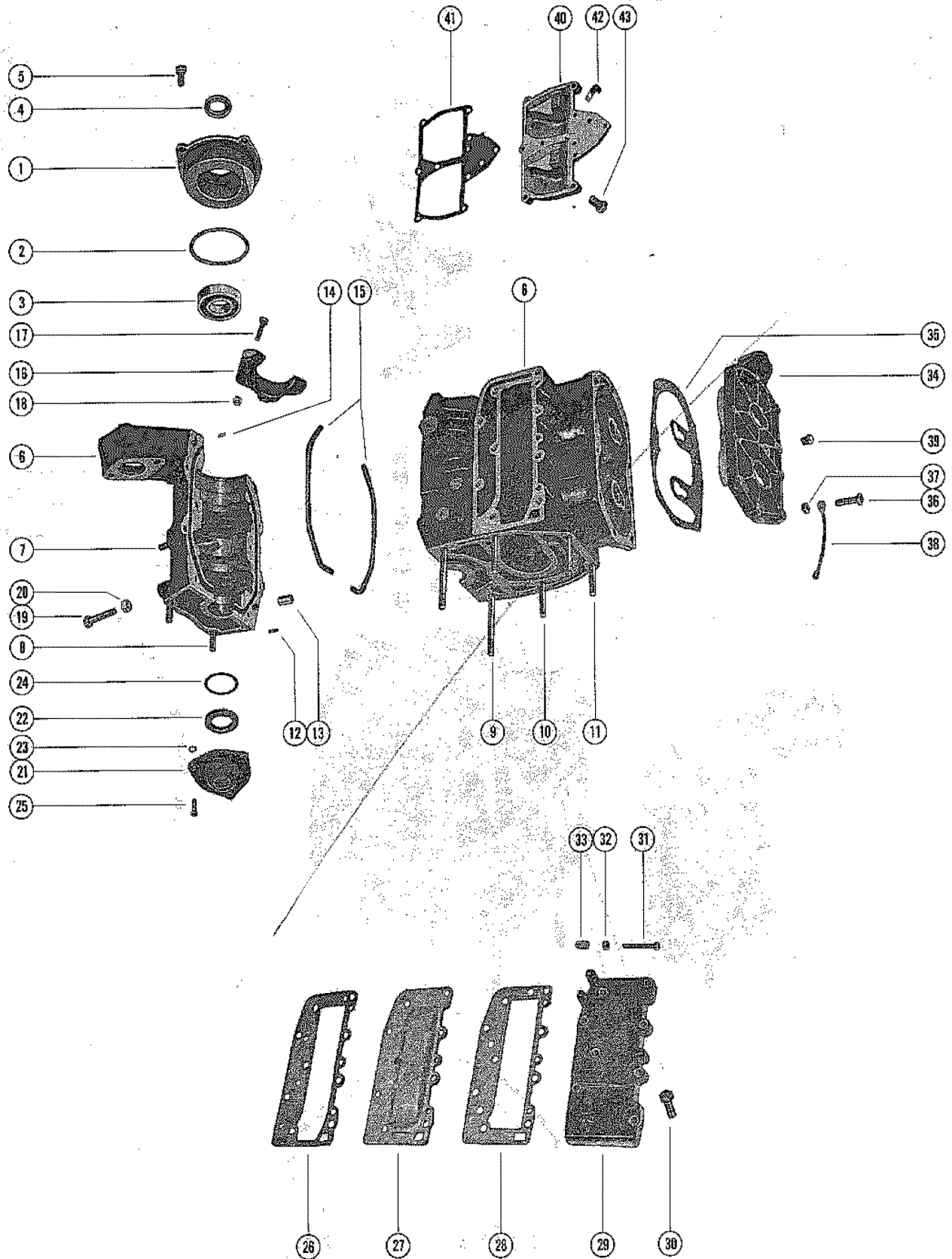


# CYLINDER BLOCK AND CRANKCASE ASSEMBLY

REF. NO.	PART NO.	SYM.	QTY.	DESCRIPTION
1	1151-4732A1		1	END CAP ASSEMBLY, UPPER
2	25-47254		1	"O" RING, UPPER END CAP
3	31-62066		1	BALL BEARING, UPPER END CAP
5	10-30225		4	SCREW,UPPER END CAP MOUNTING (1")
6	851-5350A3		1	CYLINDER BLOCK AND CRANKCASE ASS"Y UNITED STATES 4564001 AND BELOW AUSTRALIA 8041799AND BELOW BELGIUM 9135224 AND BELOW CANADA 7086372 AND BELOW
	851-6297A3		1	CYLINDER BLOCK AND CRANKCASE ASS"Y UNITED STATES 4564002 AND UP AUSTRALIA 8041800 AND UP BELGIUM 9135225 AND UP CANADA 7086373 AND UP
7	16-68164		2	STUD,CARBURETOR MOUNTING (1 1/4")
8	16-68165		2	STUD,CRANKCASE TO DRIVE SHAFT HOUSING (1 5/8")
9	16-68168		2	STUD, CYLINDER BLOCK TO DRIBE SHAFT HOUSING (3 11/16")
10	16-68166		2	STUD, CYLINDER BLOCK TO DRIVE SHAFT HOUSING (2 7/64")
11	16-68167		2	STUD,CYLINDER BLOCK TO DRIVE SHAFT HOUSING (2 9/16")
12	17-57211		1	DOWEL PIN, RETAINER TO CYLINDER BLOCK
13	17-23784		2	DOWEL PIN, CRANKCASE TO CYLINDER BLOCK
14	17-20323		1	DOWEL PIN, CYLINDER BLOCK TO MAIN BEARING
15	27-55158		2	GASKET,SEALING-CYLINDER BLOCK
16	62064		1	BRACKET, STARTER MOTOR
17	10-35213		2	SCREW,BLOCK BRACKET TO STARTER MOTOR (1 5/8")-ELECTRIC
	10-21339		2	SCREW,STARTER MOTOR BRACKET TO BLOCK (1 3/8") -MANUAL
18	11-46793		2	NUT,STARTER MOTOR BRACKET SCREW - MANUAL
19	10-69096		6	SCREW, CRANKCASE TO CYLINDER BLOCK (1 1/2")0 UNITED STATES 4564001 AND BELOW AUSTRALIA 8041799AND BELOW BELGIUM 9135224 AND BELOW CANADA 7086372 AND BELOW
	10-69098		2	SCREW, CRANKCASE TO CYLINDER BLOCK (3 1/2") UNITED STATES 4564001 AND BELOW AUSTRALIA 8041799AND BELOW BELGIUM 9135224 AND BELOW CANADA 7086372 AND BELOW
	10-69090		1	SCREW, CRANKCASE TO CYLINDER BLOCK (2 1/4") UNITED STATES 4564001 AND BELOW AUSTRALIA 8041799AND BELOW BELGIUM 9135224 AND BELOW CANADA 7086372 AND BELOW
20	11-46793		9	NUT,CRANKCSAE FASTENING SCREW UNITED STATES 4564001 AND BELOW AUSTRALIA 8041799AND BELOW BELGIUM 9135224 AND BELOW CANADA 7086372 AND BELOW
19	10-73657		7	SCREW, CRANKCASE TO CYLINDER BLOCK (1 1/2") UNITED STATES 4564002 AND UP AUSTRALIA 8041800 AND UP BELGIUM 9135225 AND UP CANADA 7086373 AND UP
	10-63328		2	SCREW, CRANKCASE TO CYLINDER BLOCK (3") UNITED STATES 4564002 AND UP AUSTRALIA 8041800 AND UP BELGIUM 9135225 AND UP CANADA 7086373 AND UP

CONTINUED ON NEXT PAGE ➡

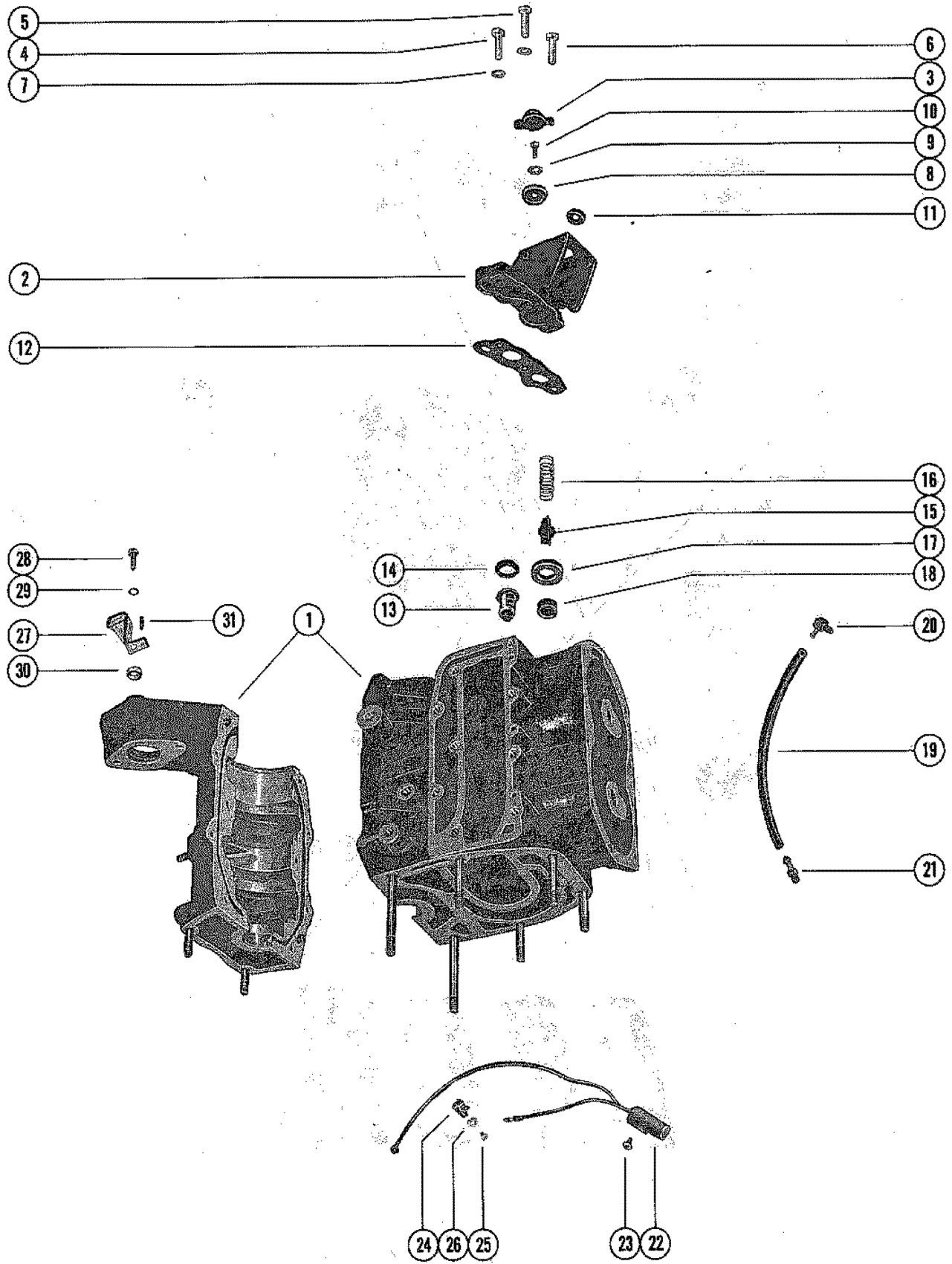
# CYLINDER BLOCK AND CRANKCASE ASSEMBLY



# CYLINDER BLOCK AND CRANKCASE ASSEMBLY

REF. NO.	PART NO.	SYM.	QTY.	DESCRIPTION
21	1152-4966A1		1	END CAP ASSEMBLY,LOWER
22	26-29476		2	OIL SEAL,LOWER END CAP
23	25-64068		3	"O" RING,LOWER END CAP SCREW
24	25-64067		1	"O" RING,LOWER END CAP
25	10-63365		3	SCREW,LOWER END CAP TO CYLINDER BLOCK AND CRANKCASE (1 1/2")
26	27-55306		1	GASKET,CYLINDER BLOCK TO BAFFLE PLATE
27	55190		1	PLATE,DIVIDER-EXHAUST MANIFOLD
28	27-55308		1	GASKET,BAFFLE PLATE TO EXHAUST COVER
29	55157		1	COVER,EXHAUST MANIFOLD
30	10-69092		1	SCREW,MANIFOLD COVER TO CYLINDER BLOCK (1 1/4")
	10-69099		7	SCREW, MANIFOLD COVER TO CYLINDER BLOCK (1 3/8")
31	10-64021		2	SCREW,ADJUSTING-EXHAUST COVER (1 7/8")
32	11-64015		2	NUT,ADJUSTING SCREW
33	26852		2	CAP, NYLON-ADJUSTING SCREW
34	1024-3869		1	COVER,CYLINDER BLOCK <b>UNITED STATES 4362214 AND BELOW AUSTRALIA 8036449 AND BELOW BELGIUM 9108563 AND BELOW CANADA 7070272 AND BELOW</b>
35	27-55307		1	GASKET, CYLINDER BLOCK COVER <b>UNITED STATES 4362214 AND BELOW AUSTRALIA 8036449 AND BELOW BELGIUM 9108563 AND BELOW CANADA 7070272 AND BELOW</b>
34	1024-6137		1	COVER,CYLINDER BLOCK <b>UNITED STATES 4362215 AND UP AUSTRALIA 8036450 AND UP BELGIUM 9108564 AND UP CANADA 7070273 AND UP</b>
35	27-74708		1	GASKET, CYLINDER BLOCK COVER <b>UNITED STATES 4362215 AND UP AUSTRALIA 8036450 AND UP BELGIUM 9108564 AND UP CANADA 7070273 AND UP</b>
36	10-56500		10	SCREW,CYLINDER BLOCK COVER MOUNTING (1 1/4") <b>UNITED STATES 4564001 AND BELOW AUSTRALIA 8041799AND BELOW BELGIUM 9135224 AND BELOW CANADA 7086372 AND BELOW</b>
37	11-46887		10	NUT, COVER MOUNTING SCREW <b>UNITED STATES 4564001 AND BELOW AUSTRALIA 8041799AND BELOW BELGIUM 9135224 AND BELOW CANADA 7086372 AND BELOW</b>
36	10-76213		10	SCREW,CYLINDER BLOCK COVER MOUNTING (1 1/8") <b>UNITED STATES 4564002 AND UP AUSTRALIA 8041800 AND UP BELGIUM 9135225 AND UP CANADA 7086373 AND UP</b>
38	46933A3		2	GROUND STRAP,POWERHEAD TO BOTTOM COWL
39	22-32802		1	PLUG,PIPE-CYLINDER BLOCK COVER
40	63970		1	COVER,TRANSFER PORT
41	27-55279		1	GASKET,TRANSFER PORT COVER
42	54-54457		1	"J" CLIP, COIL HARNESS
43	10-69100		5	SCREW,TRANSFER PORT COVER MOUNTING (1")

# CYLINDER BLOCK AND COIL MOUNTING BRACKET

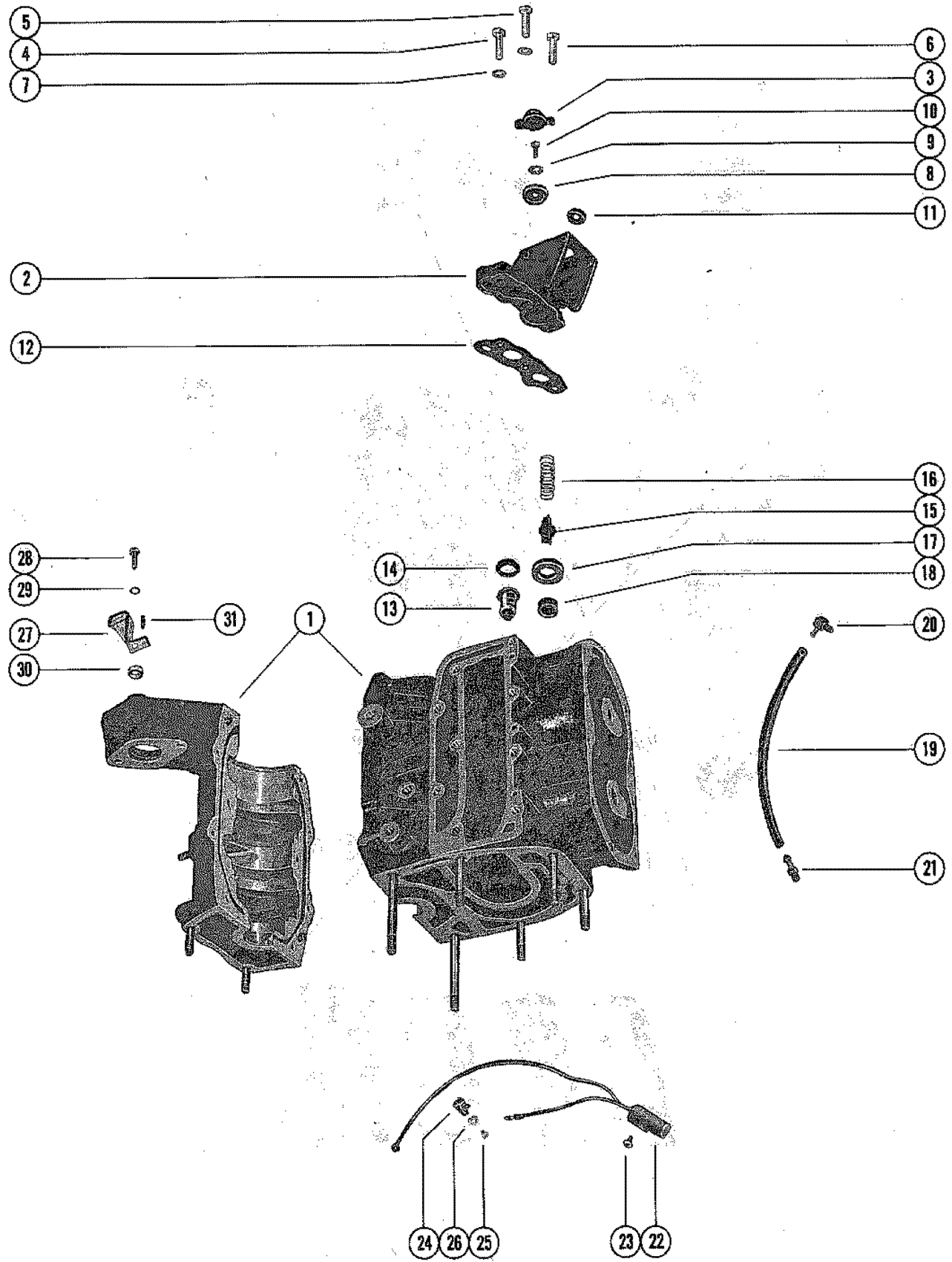


# CYLINDER BLOCK AND COIL MOUNTING BRACKET

REF. NO.	PART NO.	SYM.	QTY.	DESCRIPTION
1	851-5350A3		1	CYLINDER BLOCK AND CRANKCASE ASS"Y UNITED STATES 4564001 AND BELOW AUSTRALIA 8041799AND BELOW BELGIUM 9135224 AND BELOW CANADA 7086372 AND BELOW
	851-6297A3		1	CYLINDER BLOCK AND CRANKCASE ASS"Y UNITED STATES 4564002 AND UP AUSTRALIA 8041800 AND UP BELGIUM 9135225 AND UP CANADA 7086373 AND UP
2	66843		1	BRACKET, COIL MOUNTING
3	66844		1	COVER, DIAPHRAGM
4	10-31984		1	SCREW, COIL MOUNTING BRACKET TO BLOCK (1 3/8")
5	10-63327		1	SCREW,STARTER BRACKET AND COVER TO BLOCK (1 3/8")
6	10-58414		1	SCREW, COVER AND COIL BRACKET TO BLOCK (2 1/2")
7	13-26993		3	LOCKWASHER,COIL MOUNTING BRACKET SCREW
8	64877		1	DIAPHRAGM, POPPET VALVE
9	12-76451		1	WASHER,DIAPHRAGM
10	10-69570		1	SCREW, WASHER AND DIAPHRAGM TO POPPET VALVE
11	25-39597		1	GROMMET,COIL MOUNTING BRACKET
12	27-66847		1	GASKET,COIL MOUNTING BRACKET TO BLOCK
13	66850		1	THERMOSTAT
14	27-62386		1	GASKET, THERMOSTAT
15	65409		1	POPPET, RELIEF VALVE
16	24-66852		1	SPRING, COMPRESSION-POPPET RELIEF VALVE
17	65848		1	CARRIER, POPPET VALVE
18	25-64872		1	GROMMET,POPPET VALVE
19	32-54936		1	HOSE, CYLINDER BLEED (8")
20	21-64871A3		1	ELBOW ASSEMBLY,CYLINDER BLEED
21	22-65857		1	FITTING CYLINDER BLEED
22	58124A17		1	SWITCH ASSEMBLY, MERCURY
23	10-48409		1	SCREW, MERCURY SWITCH TO EXHAUST COVER (5/8")
24	54-26550		1	CLIP, MERCURY SWITCH LEAD
25	10-30663		1	SCREW, MERCURY SWITCH CLIP (3/8")
26	22789		1	"D" WASHER, CLIP SCREW

CONTINUED ON NEXT PAGE ➡

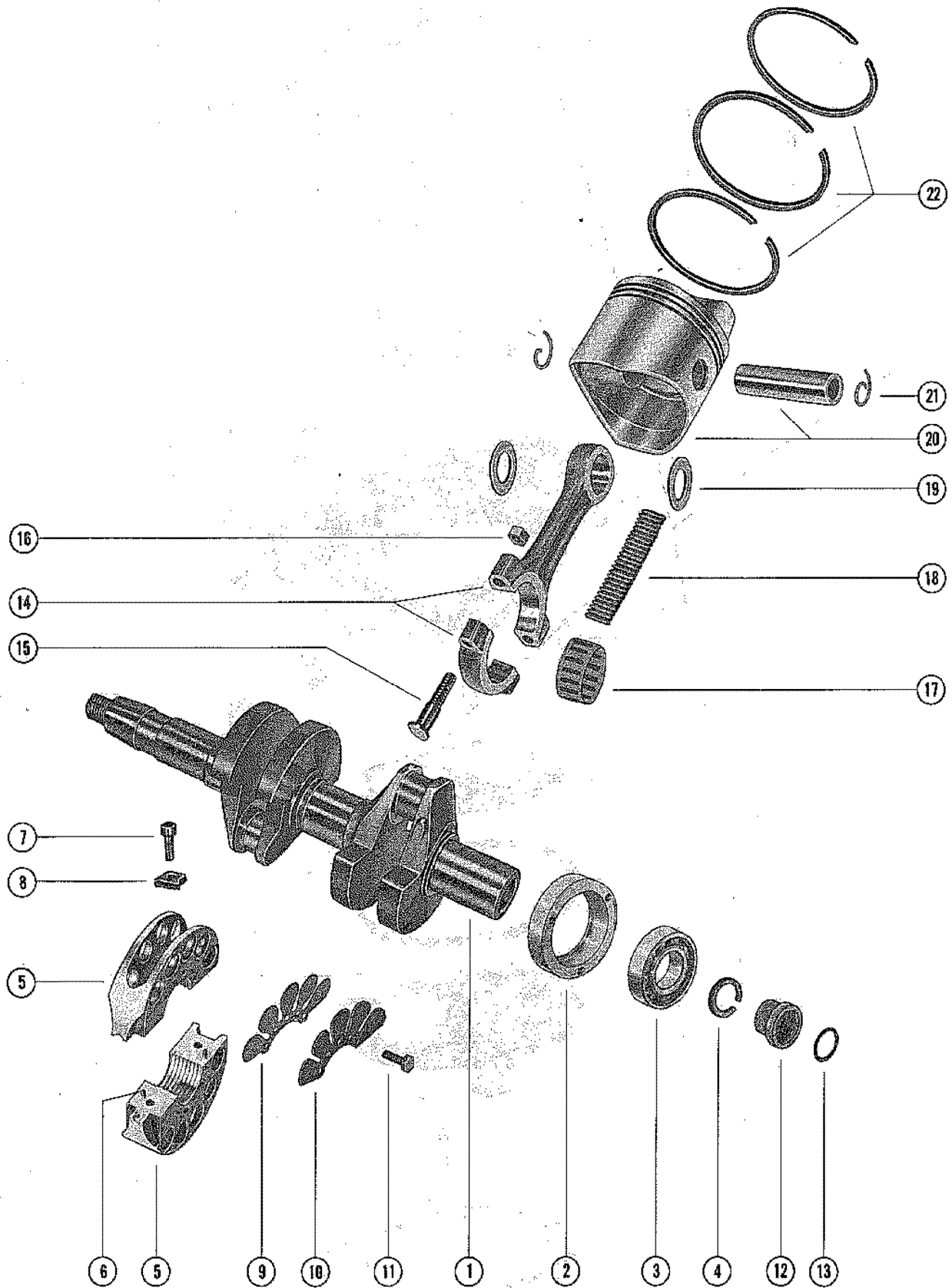
# CYLINDER BLOCK AND COIL MOUNTING BRACKET



# CYLINDER BLOCK AND COIL MOUNTING BRACKET

REF. NO.	PART NO.	SYM.	QTY.	DESCRIPTION
27	76184		1	INDICATOR, TIMING UNITED STATES 4726798 AND UP AUSTRALIA 8046300 AND UP BELGIUM 9163105 AND UP CANADA 7101848 AND UP
28	10-25299		1	SCREW, INDICATOR ATTACHING (3/4") UNITED STATES 4726798 AND UP AUSTRALIA 8046300 AND UP BELGIUM 9163105 AND UP CANADA 7101848 AND UP
29	12-20084		1	WASHER, INDICATOR ATTACHING SCREW UNITED STATES 4726798 AND UP AUSTRALIA 8046300 AND UP BELGIUM 9163105 AND UP CANADA 7101848 AND UP
30	23-62769		1	SPACER, INDICATOR ATTACHING SCREW UNITED STATES 4726798 AND UP AUSTRALIA 8046300 AND UP BELGIUM 9163105 AND UP CANADA 7101848 AND UP
31	17-29908		1	ROLL PIN, INDICATOR LOCATING UNITED STATES 4726798 AND UP AUSTRALIA 8046300 AND UP BELGIUM 9163105 AND UP CANADA 7101848 AND UP

# CRANKSHAFT, PISTON AND CONNECTING ROD ASSEMBLY

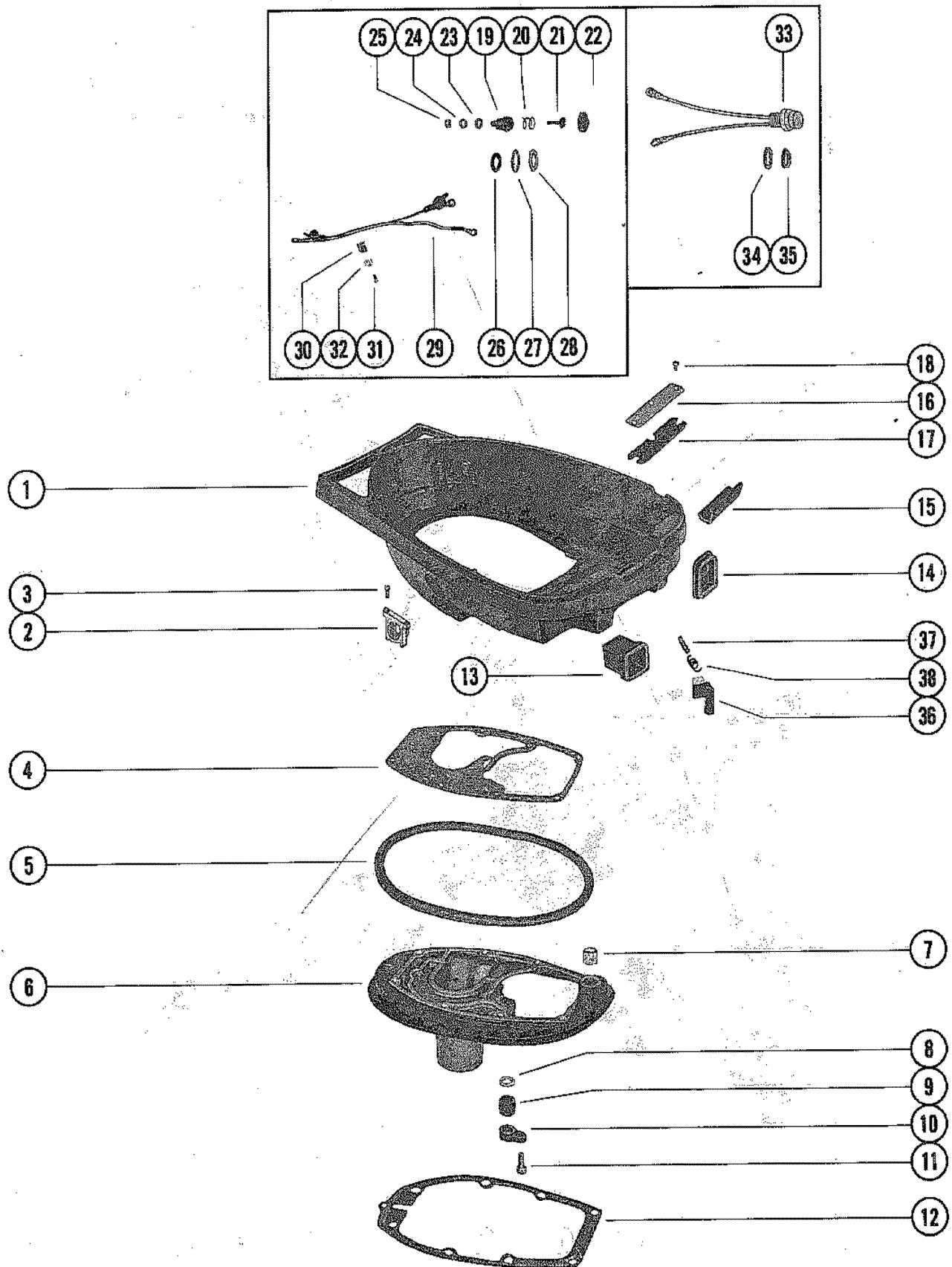




# CRANKSHAFT, PISTON AND CONNECTING ROD ASSEMBLY

REF. NO.	PART NO.	SYM.	QTY.	DESCRIPTION
1	454-5628A3		1	CRANKSHAFT ASESMBLY
2	64069A1		1	RETAINER ASSEMBLY, BALL BEARING
3	30-63742		1	BALL BEARING,RETAINER (CRANKSHAFT)
4	53-63634		1	RETAINING RING, BALL BEARING
5	540-3943A1		1	MAIN BEARING ASSEMBLY, VALVE TYPE
6	17-20032		2	DOWEL PIN,MAIN BEARING
7	10-45775		2	SCREW,MAIN BEARING CLAMPING (9/16")
8	11-45774		2	NUT,MAIN BEARING CLAMPING SCREW
9	34-56007A1		1	REED SET, MAIN BEARING (MATCHED)
10	34-56008		4	REED STOP,MAIN BEARING REED VALVES
11	10-20055		12	SCREW,REED STOP MOUNTING (3/8")
12	60834A3		1	<b>CARRIER ASSEMBLY,SEAL PART OF A-454-5628A3 CRANKSHAFT ASSEMBLY</b>
13	64254		1	SEAL,CARRIER
14	622-4850A3		2	CONNECTING ROD ASSEMBLY
15	10-54803		4	SCRWE, CONNECTING ROD
16	11-49091		4	NUT, CONNECTING ROD SCREW
17	31-62596A1		2	BEARING ASSEMBLY,CRANKPIN
18	29-47270		58	BEARING, NEEDLE-PISTON PIN
19	12-47247		4	WASHER, NEEDLE BEARING RETAINING
20	745-5220A2		2	PISTON AND PISTON PIN ASSEMBLY
21	40-52035		4	LOCK RING,PISTON PIN
22	39-45155A12		1	RING,PISTON
-	<b>745-5306A2</b>		<b>2</b>	<b>PISTON AND PISTON PIN ASSEMBLY .015 OVERSIZE PISTONS AND RINGS</b>
-	<b>39-45204A12</b>		<b>1</b>	<b>RING,PISTON(.015 OVERSIZE) .015 OVERSIZE PISTONS AND RINGS</b>

# BOTTOM COWL AND EXHAUST PLATE ASSEMBLY

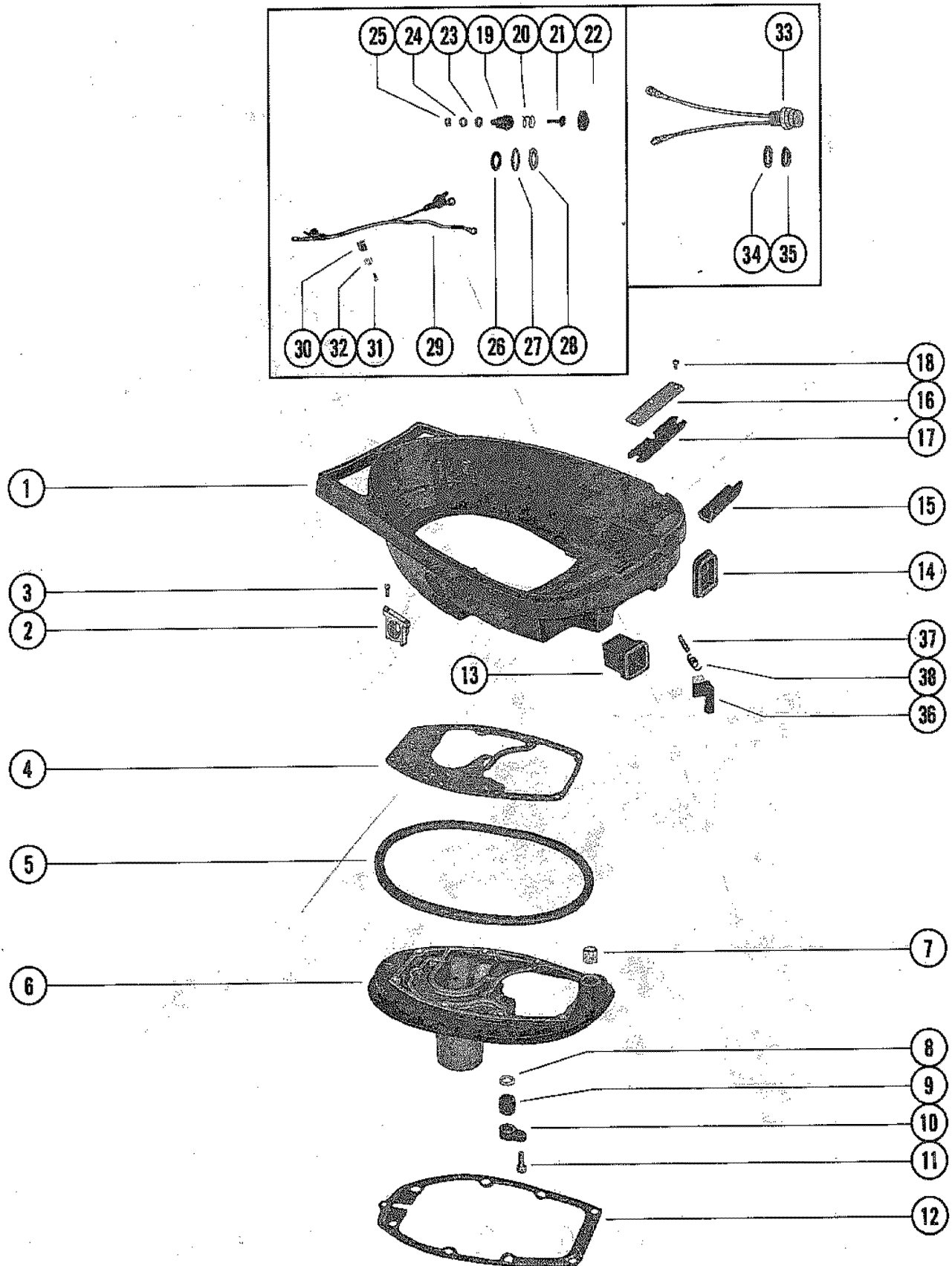


# BOTTOM COWL AND EXHAUST PLATE ASSEMBLY

REF. NO.	PART NO.	SYM.	QTY.	DESCRIPTION
1	2139-5351A2		1	BOTTOM COWL UNITED STATES 4726797 AND BELOW AUSTRALIA 8046299 AND BELOW BELGIUM 9163104 AND BELOW CANADA 7059933 AND BELOW
	2139-6424A1		1	BOTTOM COWL UNITED STATES 4726798 AND UP AUSTRALIA 8046300 AND UP BELGIUM 9163105 AND UP CANADA 7101848 AND UP
2	48472		1	COVER, PLUG-BOTTOM COWL HARNESS HOLE-MANUAL
3	10-61802		2	SCREW, PLUG COVER TO BOTTOM COWL (7/8") -MANUAL
4	27-62860		1	GASKET,POWERHEAD TO EXHAUST EXTENSION PLATE
5	39622		1	SEAL, RUBBER-EXHAUST PLATE TO BOTTOM COWL
6	72014A2		1	PLATE ASSEMBLY, EXHAUST EXTENSION
7	23-71980		1	BUSHING, FLANGE EXHAUST PLATE
8	12-38453		1	WASHER, NYLON-WATER OUTLET TUBE
9	26-38452		1	SEAL, RUBBER-WATER OUTLET TUBE
10	38500		1	RETAINER, WATER OUTLET TUBE SEAL
11	10-74035		1	SCREW, RETAINER TO EXHAUST PLAE (3/4")
12	27-38501		1	GASKET, EXHAUST PLATE TO DRIVE SHAFT HOUSING
13	37637		1	BOOT, FUEL CONNECTOR-BOTTOM COWL
14	39616		1	BOOT,CONTROL CABLE-BOTTOM COWL
15	39630		1	CUSHION,RUBBER-BOTTOM COWL
16	3955A1		1	COVER PLATE ASSEMBLY
17	39556		1	PAD,SOUND-COVER PLATE
18	10-69014		3	SCREW,COVER PLATE TO BOTTOM COWL
19	59065A4		1	STOP SWITCH ASSEMBLY- MANUAL UNITED STATES 4362214 AND BELOW AUSTRALIA 8036449 AND BELOW BELGIUM 9108563 AND BELOW CANADA 7070272 AND BELOW
20	24-60239		1	SPRING,STOP SWITCH - MANUAL UNITED STATES 4362214 AND BELOW AUSTRALIA 8036449 AND BELOW BELGIUM 9108563 AND BELOW CANADA 7070272 AND BELOW
21	87-61577A1		1	CONTACT ASSEMBLY, STOP SWITCH - MANUAL UNITED STATES 4362214 AND BELOW AUSTRALIA 8036449 AND BELOW BELGIUM 9108563 AND BELOW CANADA 7070272 AND BELOW
22	38950A1		1	COVER ASSEMBLY,STOP SWITCH - MANUAL UNITED STATES 4362214 AND BELOW AUSTRALIA 8036449 AND BELOW BELGIUM 9108563 AND BELOW CANADA 7070272 AND BELOW
23	12-59061		1	WASHER,STOP SWITCH - MANUAL UNITED STATES 4362214 AND BELOW AUSTRALIA 8036449 AND BELOW BELGIUM 9108563 AND BELOW CANADA 7070272 AND BELOW
24	13-26996		1	LOCKWASHER, STOP SWITCH - MANUAL UNITED STATES 4362214 AND BELOW AUSTRALIA 8036449 AND BELOW BELGIUM 9108563 AND BELOW CANADA 7070272 AND BELOW
25	11-20645		1	NUT,GROUND LEAD TO STOP SWITCH - MANUAL UNITED STATES 4362214 AND BELOW AUSTRALIA 8036449 AND BELOW BELGIUM 9108563 AND BELOW CANADA 7070272 AND BELOW

CONTINUED ON NEXT PAGE ➡

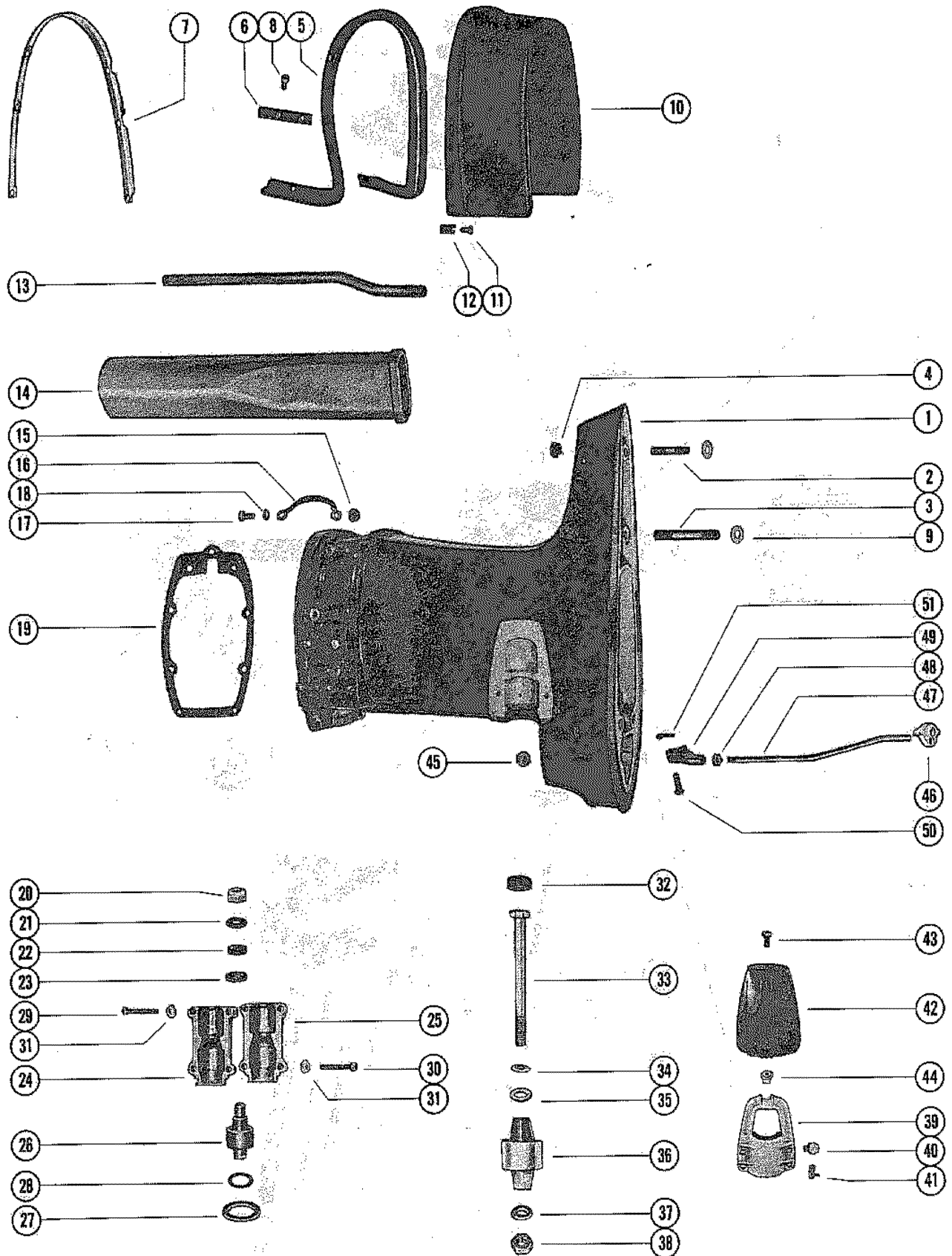
# BOTTOM COWL AND EXHAUST PLATE ASSEMBLY



## BOTTOM COWL AND EXHAUST PLATE ASSEMBLY

REF. NO.	PART NO.	SYM.	QTY.	DESCRIPTION
26	12-64275		1	WASHER,CONNECTOR BASE - MANUAL UNITED STATES 4362214 AND BELOW AUSTRALIA 8036449 AND BELOW BELGIUM 9108563 AND BELOW CANADA 7070272 AND BELOW
27	13-21972		1	LOCKWASHER, CONNECTOR BASE - MANUAL UNITED STATES 4362214 AND BELOW AUSTRALIA 8036449 AND BELOW BELGIUM 9108563 AND BELOW CANADA 7070272 AND BELOW
28	11-21971		1	NUT, CONNECTOR BASE TO BOTTOM COWL -MANUAL UNITED STATES 4362214 AND BELOW AUSTRALIA 8036449 AND BELOW BELGIUM 9108563 AND BELOW CANADA 7070272 AND BELOW
29	84-63086A2		1	WIRE ASSEMBLY, STOP SWITCH - MANUAL UNITED STATES 4362214 AND BELOW AUSTRALIA 8036449 AND BELOW BELGIUM 9108563 AND BELOW CANADA 7070272 AND BELOW
30	54-26550		1	CLAMP, STOP SWITCH LEAD - MANUAL UNITED STATES 4362214 AND BELOW AUSTRALIA 8036449 AND BELOW BELGIUM 9108563 AND BELOW CANADA 7070272 AND BELOW
31	10-30663		1	SCREW, STOP SWITCH LEAD CLAMP - MANUAL UNITED STATES 4362214 AND BELOW AUSTRALIA 8036449 AND BELOW BELGIUM 9108563 AND BELOW CANADA 7070272 AND BELOW
32	22789		1	"C" WASHER, STOP SWITCH LEAD SCREW-MANUAL UNITED STATES 4362214 AND BELOW AUSTRALIA 8036449 AND BELOW BELGIUM 9108563 AND BELOW CANADA 7070272 AND BELOW
33	87-69508A5		1	STOP SWITCH ASSEMBLY-MANUAL UNITED STATES 4362215 AND UP AUSTRALIA 8036450 AND UP BELGIUM 9108564 AND UP CANADA 7070273 AND UP
34	13-69845		1	LOCKWASHER,STOP SWITCH -MANUAL UNITED STATES 4362215 AND UP AUSTRALIA 8036450 AND UP BELGIUM 9108564 AND UP CANADA 7070273 AND UP
35	11-69844		1	NUT,STOP SWITCH -MANUAL UNITED STATES 4362215 AND UP AUSTRALIA 8036450 AND UP BELGIUM 9108564 AND UP CANADA 7070273 AND UP
36	76176		1	LEVER. FRONT COVER UNITED STATES 4726798 AND UP AUSTRALIA 8046300 AND UP BELGIUM 9163105 AND UP CANADA 7101848 AND UP
37	17-26541		1	ROLL PIN, LEVER TO BOTTOM COWL UNITED STATES 4726798 AND UP AUSTRALIA 8046300 AND UP BELGIUM 9163105 AND UP CANADA 7101848 AND UP
38	24-76177		1	SPRING,FRONT COVER LEVER UNITED STATES 4726798 AND UP AUSTRALIA 8046300 AND UP BELGIUM 9163105 AND UP CANADA 7101848 AND UP

# DRIVE SHAFT HOUSING ASSEMBLY

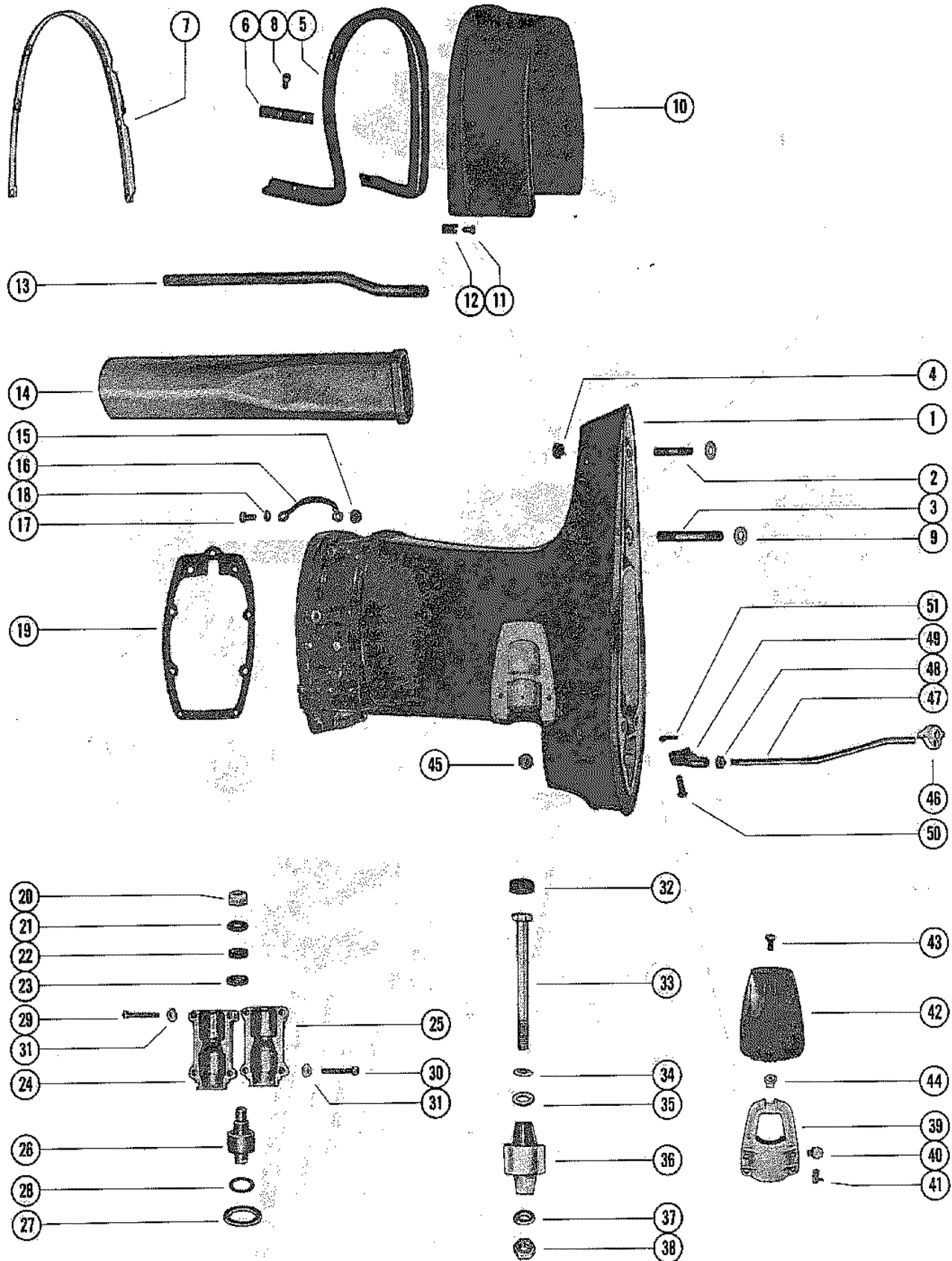


# DRIVE SHAFT HOUSING ASSEMBLY

REF. NO.	PART NO.	SYM.	QTY.	DESCRIPTION
1	1554-4892A3		1	DRIVE SHAFT HOUSING ASSEMBLY(SHORT SHAFT) UNITED STATES 4564001 AND BELOW AUSTRALIA 8041799AND BELOW BELGIUM 9135224 AND BELOW CANADA 7086372 AND BELOW
	1564-4893A3		1	DRIVE SHAFT HOUSING ASSEMBLY(LONG SHAFT) UNITED STATES 4564001 AND BELOW AUSTRALIA 8041799AND BELOW BELGIUM 9135224 AND BELOW CANADA 7086372 AND BELOW
	1554-6350A2		1	DRIVE SHAFT HOUSING ASSEMBLY(SHORT SHAFT) UNITED STATES 4564002 AND UP AUSTRALIA 8041800 AND UP BELGIUM 9135225 AND UP CANADA 7086373 AND UP
	1564-6351A2		1	DRIVE SHAFT HOUSING ASSEMBLY (LONG SHAFT) UNITED STATES 4564002 AND UP AUSTRALIA 8041800 AND UP BELGIUM 9135225 AND UP CANADA 7086373 AND UP
2	16-57932		1	STUD, DRIVE SHAFT HOUSING TO GEAR HOUSING (1 3/4")
3	16-57935		1	STUD, DRIVE SHAFT HOUSING TO GEAR HOUSING (3")
4	19-64649		1	PLUG,PLASTIC-WATER PICK-UP HOLE
5	63139		1	SEAL, TRIM COVER TO DRIVE SHAFT HOUSING UNITED STATES 4564001 AND BELOW AUSTRALIA 8041799AND BELOW BELGIUM 9135224 AND BELOW CANADA 7086372 AND BELOW
6	63177		2	STRIP, RETAINING-TRIM COVER SEAL(SIDE) UNITED STATES 4564001 AND BELOW AUSTRALIA 8041799AND BELOW BELGIUM 9135224 AND BELOW CANADA 7086372 AND BELOW
7	38158		1	STRIP, RETAINING-TRIM COVER SEAL (REAR) UNITED STATES 4564001 AND BELOW AUSTRALIA 8041799AND BELOW BELGIUM 9135224 AND BELOW CANADA 7086372 AND BELOW
8	10-48408		8	SCREW, STRIP AND SEAL TO DRIVE SHAFT HOUSING (1/2") UNITED STATES 4564001 AND BELOW AUSTRALIA 8041799AND BELOW BELGIUM 9135224 AND BELOW CANADA 7086372 AND BELOW
9	12-65791		2	WASHER, DRIVE SHAFT HOUSING TO GEAR HOUSING STUDS
10	60769		1	COVER, TRIM-DRIVE SHAFT HOUSING
11	10-57807		4	SCREW, TRIM COVER TO DRIVE SHAFT HOUSING
12	25-57806		4	GROMMET, TRIM COVER SCREW
13	32-37727		1	TUBE, WATER OUTLET(SHORT SHAFT)
	32-45679		1	TUBE, WATER OUTLET(LONG SHAFT)
14	69543		1	TUBE, EXHAUST(SHORT SHAFT)
	69544		1	TUBE, EXHAUST(LONG SHAFT)
15	11-64809		8	NUT, POWERHEAD STUDS
16	46933A2		2	GROUND STRAP,BOTTOM COWL TO DRIVE SHAFT HOUSING
17	10-62568		2	SCREW, GROUND STRAP ATTACHING (3/8")
18	13-69432		2	LOCKWASHER, GROUND STRAP SCREW
19	27-38501		1	GASKET, EXHAUST PLATE TO DRIVE SHAFT HOUSING
20	11-23161		2	NUT, UPPER MOUNT BOLT
21	12-30519		2	WASHER, UPPER MOUNT BOLT (3/8 ID)

CONTINUED ON NEXT PAGE ➡

# DRIVE SHAFT HOUSING ASSEMBLY

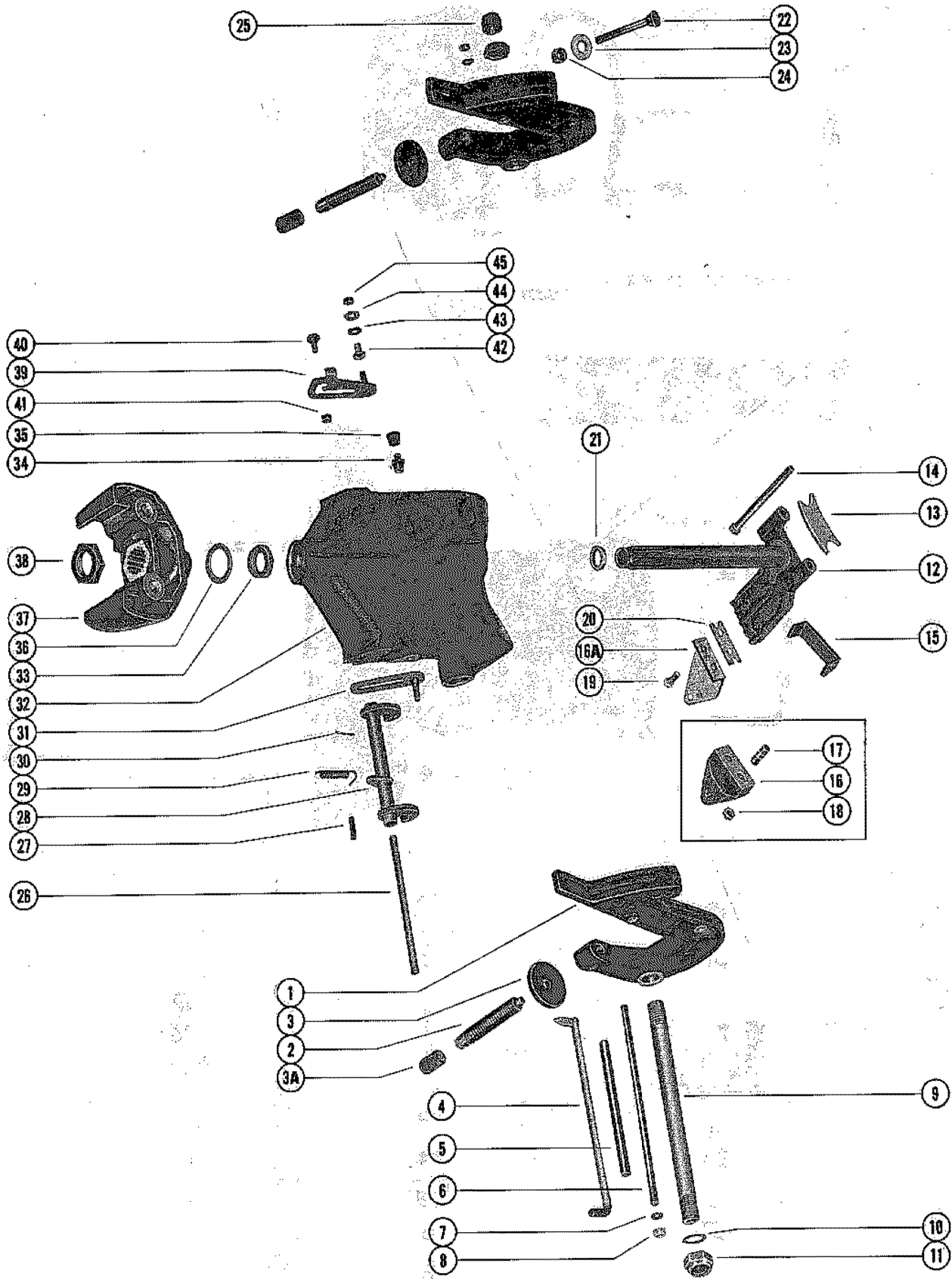




# DRIVE SHAFT HOUSING ASSEMBLY

REF. NO.	PART NO.	SYM.	QTY.	DESCRIPTION
22	12-66966		2	WASHER, RUBBER- UPPER MOUNT BOLT
23	12-27727		2	WASHER, UPPER MOUNT BOLT (37/64 ID)
24	24935		2	COVER, UPPER MOUNT- OUTSIDE HALF
25	31120		2	COVER, UPPER MOUNT- INSIDE HALF
26	75301		2	MOUNT, RUBBER- UPPER
27	24929		2	PACKING, "U" CUP- UPPER MOUNT COVERS
28	25-65936		2	"O" RING,UPPER MOUNT BOLT
29	10-49988		4	SCREW, UPPER MOUNT COVER-REAR (1 3/4")
30	10-49987		4	SCRWE, UPPER MOUNT COVER -FRONT (1 1/2")
31	11-69431		8	NUT, UPPER MOUNT COVER FASTENING SCREW
32	25067		2	BUMPER, RUBBER- LOWER MOUNT SCREW
33	10-49318		2	SCREW, LOWER MOUNT (5 1/2")
34	12-28051		2	WASHER, LOWER MOUNT SCREW
35	12-28053		2	WASHER, RUBBER- LOWER MOUNT SCREW
36	75302		2	MOUNT, RUBBER- LOWER
37	12-30119		2	WASHER, LOWER MOUNT SCREW
38	11-25096		2	NUT, LOWER MOUNT SCREW
39	69592		2	CLAMP, LOWER MOUNT TO DRIVE SHAFT HOUSING
40	10-29256		4	SCREW, LOWER MOUNT CLAMP TO DRIVE SHAFT HOUSING (7/8")
41	24-35522		4	SPRING, TENSION- LOWER MOUNT CLAMP
42	35474		2	COVER,LOWER MOUNT CLAMP
43	10-29722		2	SCREW,COVER TO LOWER CLAMP(5/8")
44	11-35521		2	NUT,LOWER MOUNT CLAMP COVER
45	11-34933		2	NUT,GEAR HOUSING TO DRIVE SHAFT HOUSING STUDS
46	52917		1	GUIDE, PUSH ROD <b>UNITED STATES 4275244 AND BELOW AUSTRALIA 8033704 AND BELOW BELGIUM 9099813 AND BELOW CANADA 7059932 AND BELOW</b>
	69786		1	GUIDE, PUSH ROD <b>UNITED STATES 4275245 THRU 4564001 AUSTRALIA 8033705 THRU 8041799 BELGIUM 9099814 THRU 9135224 CANADA 7059933 THRU 7086372</b>
	75105		1	GUIDE, PUSH ROD <b>UNITED STATES 4564002 AND UP AUSTRALIA 8041800 AND UP BELGIUM 9135225 AND UP CANADA 7086373 AND UP</b>
47	59721		1	ROD, PUSH-REVERSE LOCK(SHORT SHAFT)
	59720		1	ROD, PUSH-REVERSE LOCK (LONG SHAFT)
48	11-28770		1	NUT, JAM-PUSH ROD
49	59722		1	ROD END, PUSH ROD
50	17-72524		1	PIN, REVERSE LOCK LEVER
51	18-25191		1	COTTER PIN, PUSH ROD TO REVERSE LOCK

# CLAMP AND SWIVEL BRACKET ASSEMBLY

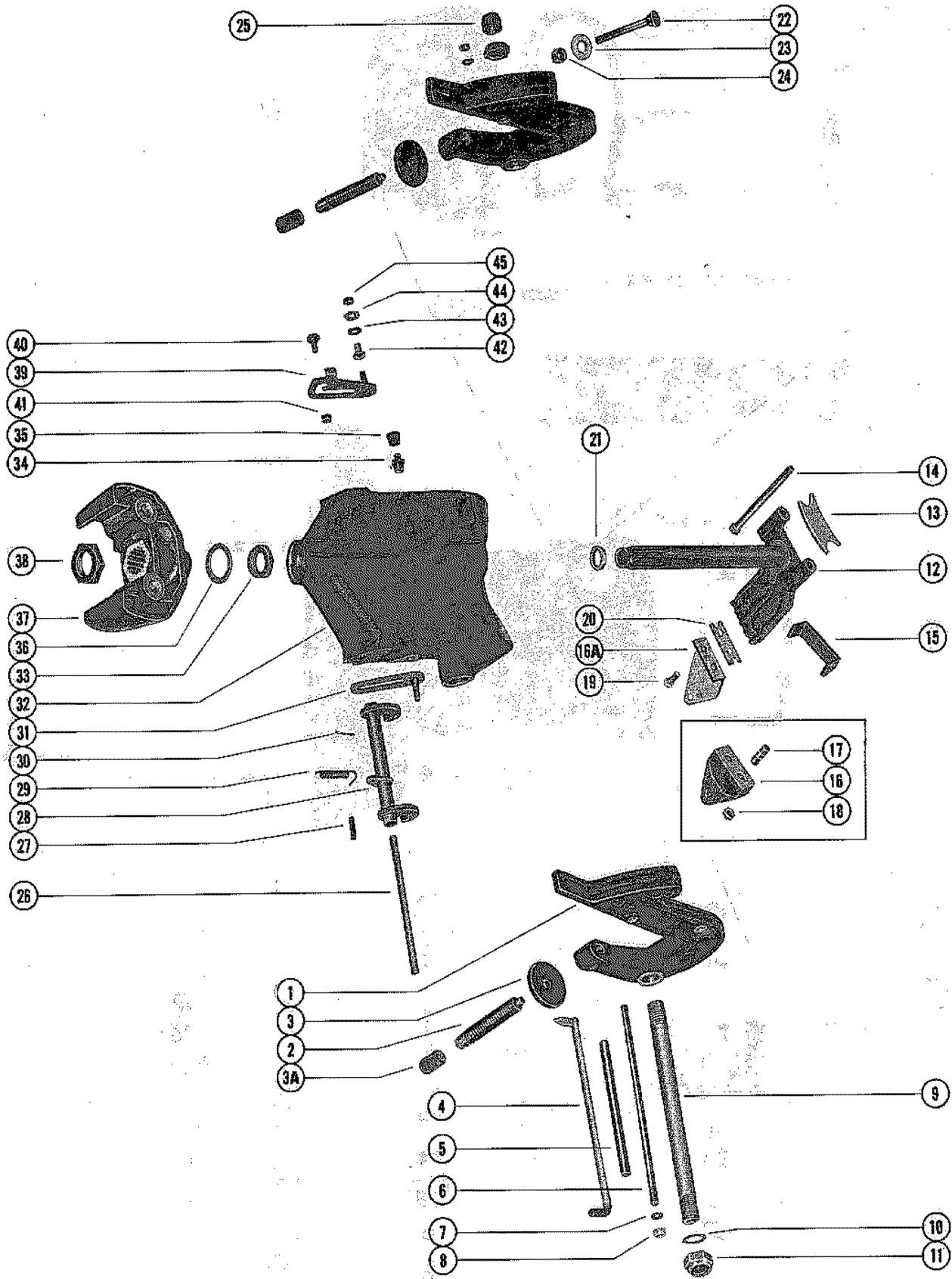


# CLAMP AND SWIVEL BRACKET ASSEMBLY

REF. NO.	PART NO.	SYM.	QTY.	DESCRIPTION
1	1427-5611A1		2	CLAMP BRACKET ASSEMBLY UNITED STATES 4362214 AND BELOW AUSTRALIA 8036449 AND BELOW BELGIUM 9108563 AND BELOW CANADA 7070272 AND BELOW
2	69214A1		2	THUMB SCREW ASSEMBLY UNITED STATES 4362214 AND BELOW AUSTRALIA 8036449 AND BELOW BELGIUM 9108563 AND BELOW CANADA 7070272 AND BELOW
3	12-70988		2	WASHER, THUMB SCREW UNITED STATES 4362214 AND BELOW AUSTRALIA 8036449 AND BELOW BELGIUM 9108563 AND BELOW CANADA 7070272 AND BELOW
1	1427-5611A2		2	CLAMP BRACKET ASSEMBLY UNITED STATES 4362215 AND UP AUSTRALIA 8036450 AND UP BELGIUM 9108564 AND UP CANADA 7070273 AND UP
2	10-73649A1		2	THUMB SCREW ASSEMBLY UNITED STATES 4362215 AND UP AUSTRALIA 8036450 AND UP BELGIUM 9108564 AND UP CANADA 7070273 AND UP
3A	75043		2	CAP, THUMB SCREW UNITED STATES 4362215 AND UP AUSTRALIA 8036450 AND UP BELGIUM 9108564 AND UP CANADA 7070273 AND UP
4	17-49930A1		1	TILT LOCK PIN ASSEMBLY
5	23-59623		1	SPACER, CLAMP BRACKET STUD
6	16-59625		1	STUD, CLAMP BRACKET
7	13-26993		2	LOCKWASHER, CLAMP BRACKET STUD
8	11-28770		2	NUT,CLAMP BRACKET STUD
9	30664		1	TUBE,TILT-CLAMP BRACKET TO SWIVEL BRACKET
10	12-52864		6	WASHER, CLAMP BRACKET TO SWIVEL BRACKET
11	11-30499		2	NUT, TILT TUBE
12	52882A13		1	SWIVEL PIN ASSEMBLY(SHORT SHAFT) UNITED STATES 4362214 AND BELOW AUSTRALIA 8036449 AND BELOW BELGIUM 9108563 AND BELOW CANADA 7070272 AND BELOW
	52882A9		1	SWIVEL PIN ASSEMBLY(LONG SHAFT) UNITED STATES 4362214 AND BELOW AUSTRALIA 8036449 AND BELOW BELGIUM 9108563 AND BELOW CANADA 7070272 AND BELOW
	74316A2		1	SWIVEL PIN ASSEMBLY(SHORT SHAFT) UNITED STATES 4362215 AND UP AUSTRALIA 8036450 AND UP BELGIUM 9108564 AND UP CANADA 7070273 AND UP
	74316A1		1	SWIVEL PIN ASSEMBLY(LONG SHAFT) UNITED STATES 4362215 AND UP AUSTRALIA 8036450 AND UP BELGIUM 9108564 AND UP CANADA 7070273 AND UP
13	30711		1	BUMPER,STEERING ARM
14	10-33986		2	SCREW, UPPER MOUNT TO STEERING ARM
15	62297		1	BUMPER, STEERING ARM
16	39503		1	BRACKET, RIDE-GUIDE ATTACHING
17	16-39781		2	STUD, BRACKET TO STEERING ARM(1 1/4") UNITED STATES 4564001 AND BELOW AUSTRALIA 8041799AND BELOW BELGIUM 9135224 AND BELOW CANADA 7086372 AND BELOW

CONTINUED ON NEXT PAGE ➡

# CLAMP AND SWIVEL BRACKET ASSEMBLY

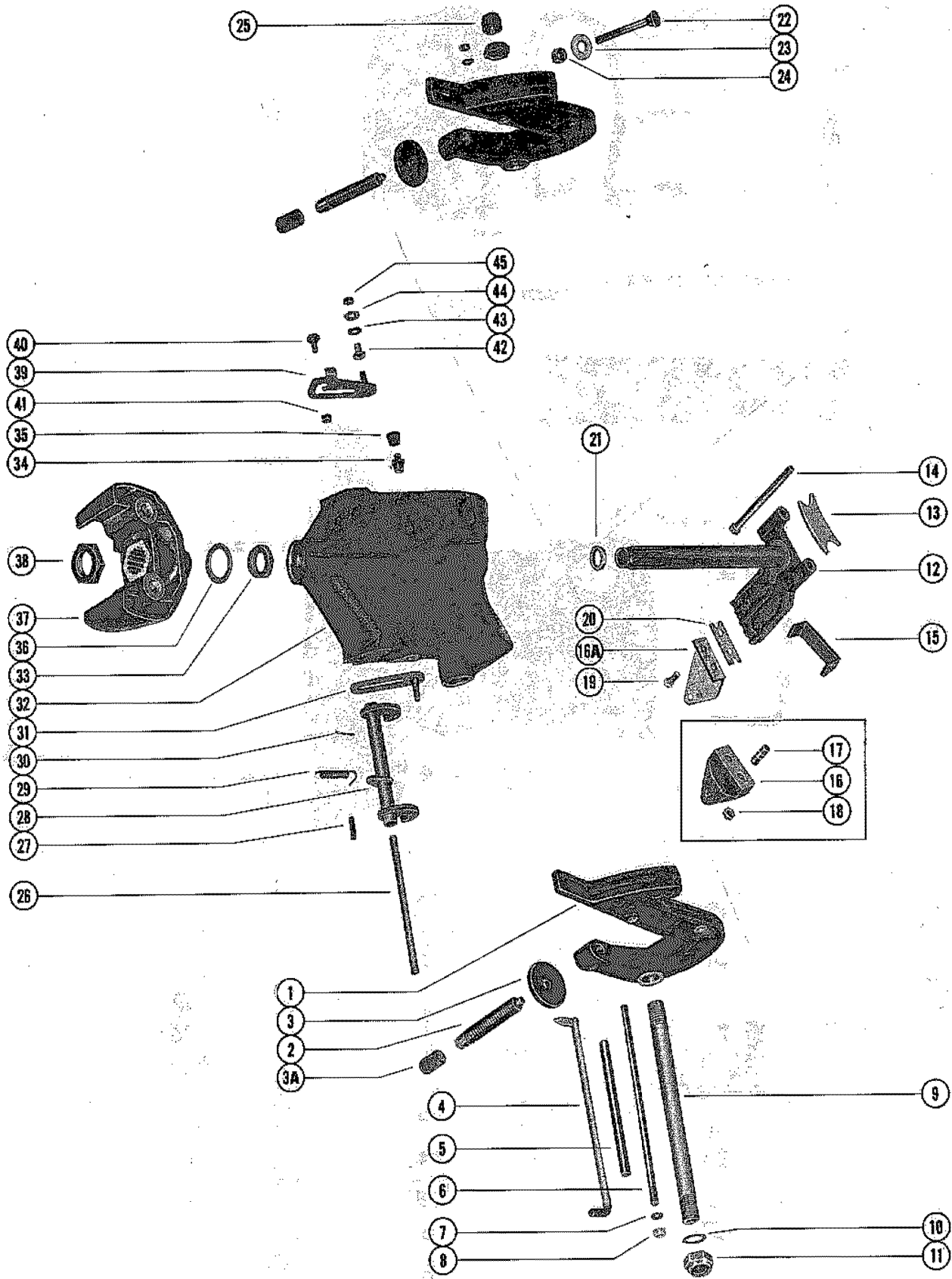


# CLAMP AND SWIVEL BRACKET ASSEMBLY

REF. NO.	PART NO.	SYM.	QTY.	DESCRIPTION
18	11-20509		2	NUT, BRACKET STUD UNITED STATES 4564001 AND BELOW AUSTRALIA 8041799 AND BELOW BELGIUM 9135224 AND BELOW CANADA 7086372 AND BELOW
16A	76535		1	BRACKET, RIDE-GUIDE ATTACHING UNITED STATES 4564002 AND UP AUSTRALIA 8041800 AND UP BELGIUM 9135225 AND UP CANADA 7086373 AND UP
19	10-34352		2	SCREW, BRACKET TO STEERING ARM (7/8") UNITED STATES 4564002 AND UP AUSTRALIA 8041800 AND UP BELGIUM 9135225 AND UP CANADA 7086373 AND UP
20	76533		1	STRAP, BRACKET SCREW
21	12-52865		1	WASHER, SWIVEL PIN
22	10-68298		2	BOLT, CLAMP BRACKET TO BOAT TRANSOM (LOWER)
	10-68299		2	BOLT, CLAMP BRACKET TO BOAT TRANSOM (UPPER)
23	12-68410		2	WASHER, CLAMP BRACKET BOLT (LOWER)
	12-68300		2	WASHER, CLAMP BRACKET BOLT (UPPER)
24	11-68411		4	NUT, CLAMP BRACKET BOLT
25	53078		2	CAP, PLASTIC-TILT TUBE
26	56349		1	SHAFT, REVERSE LOCK TO SWIVEL BRACKET
27	17-25598		1	ROLL PIN, REVERSE LOCK SPRING ATTACHING
28	70690		1	REVERSE LOCK ASSEMBLY
29	24-29821		1	SPRING, REVERSE LOCK TENSION
30	18-45882		1	COTTER PIN, REVERSE LOCK TO SHAFT
31	47912A2		1	LEVER ASSEMBLY, TILT STOP-STARBOARD SIDE
32	1481-5663A1		1	SWIVEL BRACKET ASSEMBLY (SHORT SHAFT) UNITED STATES 4362214 AND BELOW AUSTRALIA 8036449 AND BELOW BELGIUM 9108563 AND BELOW CANADA 7070272 AND BELOW
	1480-5661A1		1	SWIVEL BRACKET ASSEMBLY (LONG SHAFT) UNITED STATES 4362214 AND BELOW AUSTRALIA 8036449 AND BELOW BELGIUM 9108563 AND BELOW CANADA 7070272 AND BELOW
	1481-6095A1		1	SWIVEL BRACKET ASSEMBLY (SHORT SHAFT) UNITED STATES 4362215 AND UP AUSTRALIA 8036450 AND UP BELGIUM 9108564 AND UP CANADA 7070273 AND UP
	1480-6094A1		1	SWIVEL BRACKET ASSEMBLY (LONG SHAFT) UNITED STATES 4362215 AND UP AUSTRALIA 8036450 AND UP BELGIUM 9108564 AND UP CANADA 7070273 AND UP
33	26-32911		3	OIL SEAL BRACKET
34	22-69059		1	FITTING, GREASE-SWIVEL BRACKET UNITED STATES 4362214 AND BELOW AUSTRALIA 8036449 AND BELOW BELGIUM 9108563 AND BELOW CANADA 7070272 AND BELOW
	22-74036		3	FITTING GREASE-SWIVEL BRACKET UNITED STATES 4362215 AND UP AUSTRALIA 8036450 AND UP BELGIUM 9108564 AND UP CANADA 7070273 AND UP
35	29359		1	LUBRICAP, SWIVEL BRACKET GREASE FITTING
36	12-25176		1	WASHER, SWIVEL PIN TO BOTTOM YOKE (.060)
	12-26837		AR	WASHER, SWIVEL PIN TO BOTTOM YOKE (.065)

CONTINUED ON NEXT PAGE ➡

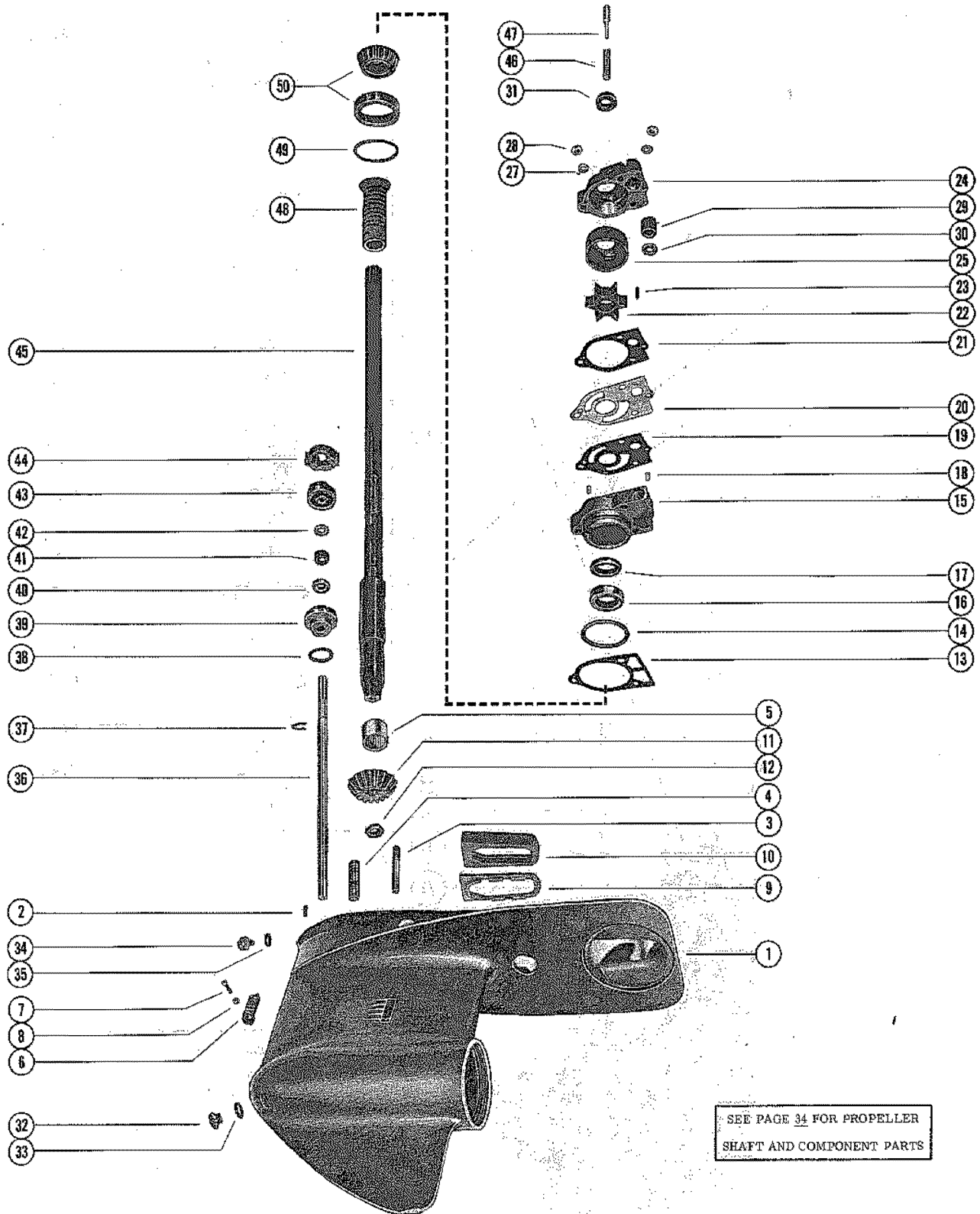
# CLAMP AND SWIVEL BRACKET ASSEMBLY



## CLAMP AND SWIVEL BRACKET ASSEMBLY

REF. NO.	PART NO.	SYM.	QTY.	DESCRIPTION
37	69654		1	YOKE, BOTTOM UNITED STATES 4564001 AND BELOW AUSTRALIA 8041799 AND BELOW BELGIUM 9135224 AND BELOW CANADA 7086372 AND BELOW
	76430		1	YOKE, BOTTOM UNITED STATES 4564002 AND UP AUSTRALIA 8041800 AND UP BELGIUM 9135225 AND UP CANADA 7086373 AND UP
38	11-71956		1	NUT, RETAINING-SWIVEL PIN
39	47913A2		1	LEVER ASSEMBLY, TILT LOCK-PORT SIDE
40	10-69087		2	SCREW, TILT LOCK AND STOP LEVER TO SWIVEL BRACKET
41	11-46793		2	NUT, TILT LOCK AND STOP LEVER SCREW
42	23-47911		2	BUSHING, TILT LOCK AND STOP LEVER
43	13-34632		2	WASHER, WAVE-TILT LOCK AND STOP LEVER
44	12-56720		2	WASHER, TILT LOCK AND STOP LEVER
45	11-46793		2	NUT, TILT LOCK AND STOP LEVER TO CLAMP BRACKET

# GEAR HOUSING ASSEMBLY, COMPLETE (PAGE 1)



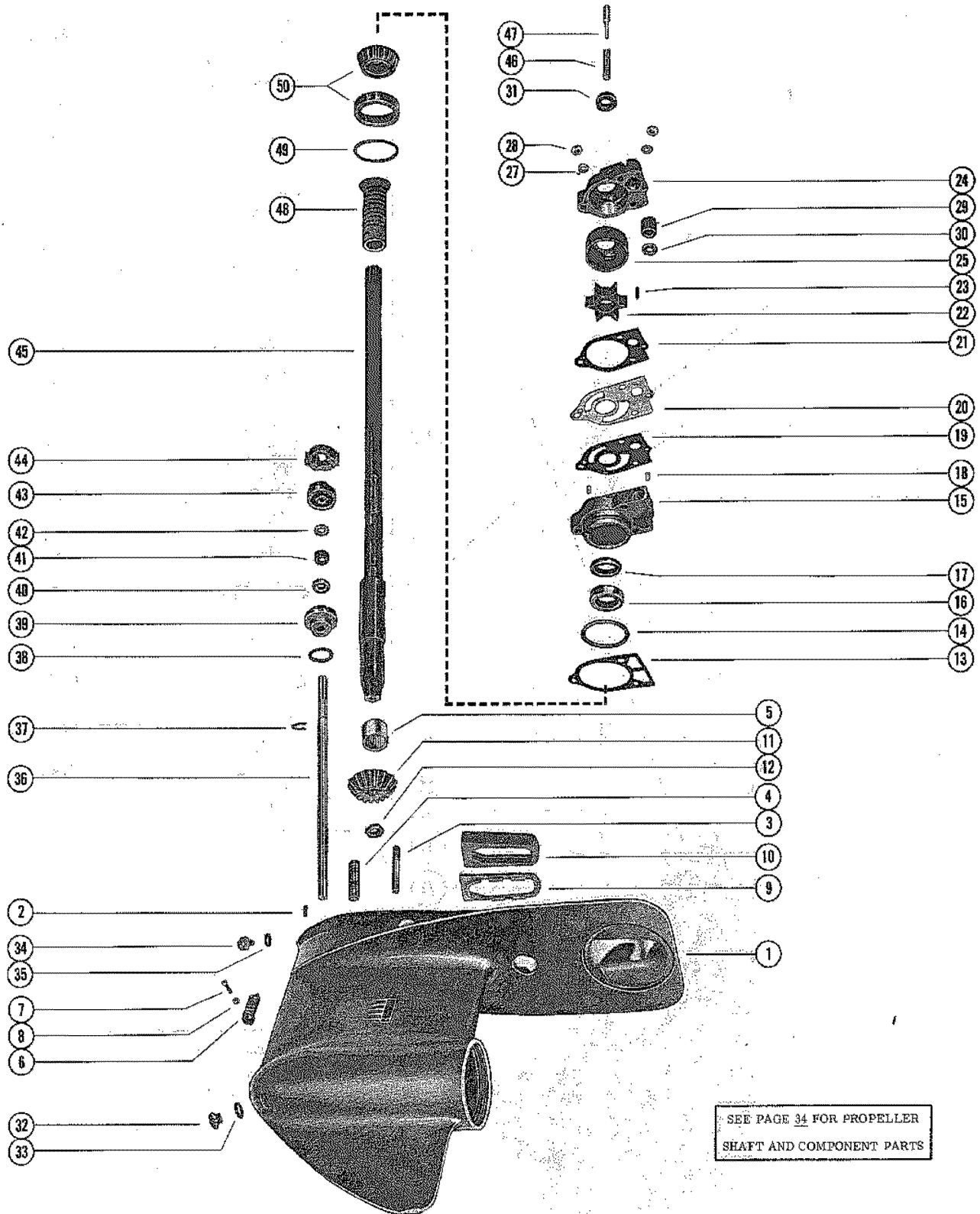


# GEAR HOUSING ASSEMBLY, COMPLETE (PAGE 1)

REF. NO.	PART NO.	SYM.	QTY.	DESCRIPTION
-	1643-4931A9		1	GEAR HOUSING ASSEMBLY, COMPLETE (SHORT SHAFT) THE ENCLOSED GEAR HOUSINGS INCLUDE ALL PARTS FROM REF. #1 THRU #76 AS LISTED ON PAGES 31 AND 34. U.S. 4275244 AND BELOW AUSTRALIA 8033704 AND BELOW BELGIUM 9099813 AND BELOW CANADA 7059932 AND BELOW
-	1643-4931A10		1	GEAR HOUSING ASSEMBLY, COMPLETE (LONG SHAFT) THE ENCLOSED GEAR HOUSINGS INCLUDE ALL PARTS FROM REF. #1 THRU #76 AS LISTED ON PAGES 31 AND 34. U.S. 4275244 AND BELOW AUSTRALIA 8033704 AND BELOW BELGIUM 9099813 AND BELOW CANADA 7059932 AND BELOW
-	1643-4931A29		1	GEAR HOUSING ASSEMBLY, COMPLETE (SHORT SHAFT) THE ENCLOSED GEAR HOUSINGS INCLUDE ALL PARTS FROM REF. #1 THRU #76 AS LISTED ON PAGES 31 AND 34. U.S. 4275245-4362214 AUSTRALIA 8033705-8036449 BELGIUM 9099814-9108563 CANADA 7059933-7070272
-	1643-4931A30		1	GEAR HOUSING ASSEMBLY, COMPLETE (LONG SHAFT) THE ENCLOSED GEAR HOUSINGS INCLUDE ALL PARTS FROM REF. #1 THRU #76 AS LISTED ON PAGES 31 AND 34. U.S. 4275245-4362214 AUSTRALIA 8033705-8036449 BELGIUM 9099814-9108563 CANADA 7059933-7070272
-	1643-6038A5		1	GEAR HOUSING ASSEMBLY, COMPLETE (SHORT SHAFT) THE ENCLOSED GEAR HOUSINGS INCLUDE ALL PARTS FROM REF. #1 THRU #76 AS LISTED ON PAGES 31 AND 34. U.S. 4362215-4564001 AUSTRALIA 8036450-8041799 BELGIUM 9108564-9135224 CANADA 7059933-7086372
-	1643-6038A7		1	GEAR HOUSING ASSEMBLY, COMPLETE (LONG SHAFT) THE ENCLOSED GEAR HOUSINGS INCLUDE ALL PARTS FROM REF. #1 THRU #76 AS LISTED ON PAGES 31 AND 34. U.S. 4362215-4564001 AUSTRALIA 8036450-8041799 BELGIUM 9108564-9135224 CANADA 7059933-7086372
-	1643-6038A17		1	GEAR HOUSING ASSEMBLY, COMPLETE (SHORT SHAFT) THE ENCLOSED GEAR HOUSINGS INCLUDE ALL PARTS FROM REF. #1 THRU #76 AS LISTED ON PAGES 31 AND 34. U.S. 4564002 AND UP AUSTRALIA 8041800 AND UP BELGIUM 9135225 AND UP CANADA 7086373 AND UP
-	1643-6038A18		1	GEAR HOUSING ASSEMBLY, COMPLETE (LONG SHAFT) THE ENCLOSED GEAR HOUSINGS INCLUDE ALL PARTS FROM REF. #1 THRU #76 AS LISTED ON PAGES 31 AND 34. U.S. 4564002 AND UP AUSTRALIA 8041800 AND UP BELGIUM 9135225 AND UP CANADA 7086373 AND UP
1	1643-4931A6		1	GEAR HOUSING ASSEMBLY UNITED STATES 4362214 AND BELOW AUSTRALIA 8036449 AND BELOW BELGIUM 9108563 AND BELOW CANADA 7070272 AND BELOW
	1643-6038A6		1	GEAR ASSEMBLY UNITED STATES 4362215 AND UP AUSTRALIA 8036450 AND UP BELGIUM 9108564 AND UP CANADA 7070273 AND UP
2	17-46912		2	PIN, DOWEL-GEAR HOUSING
3	16-33778		3	STUD, WATER PUMP BODY/BASE TO GEAR HSG (2 5/8")
4	16-57933		2	STUD, GEAR HOUSING TO DRIVE SHAFT HOUSING
5	31-62091		1	BEARING, ROLLER-DRIVE SHAFT

CONTINUED ON NEXT PAGE ➡

# GEAR HOUSING ASSEMBLY, COMPLETE (PAGE 1)



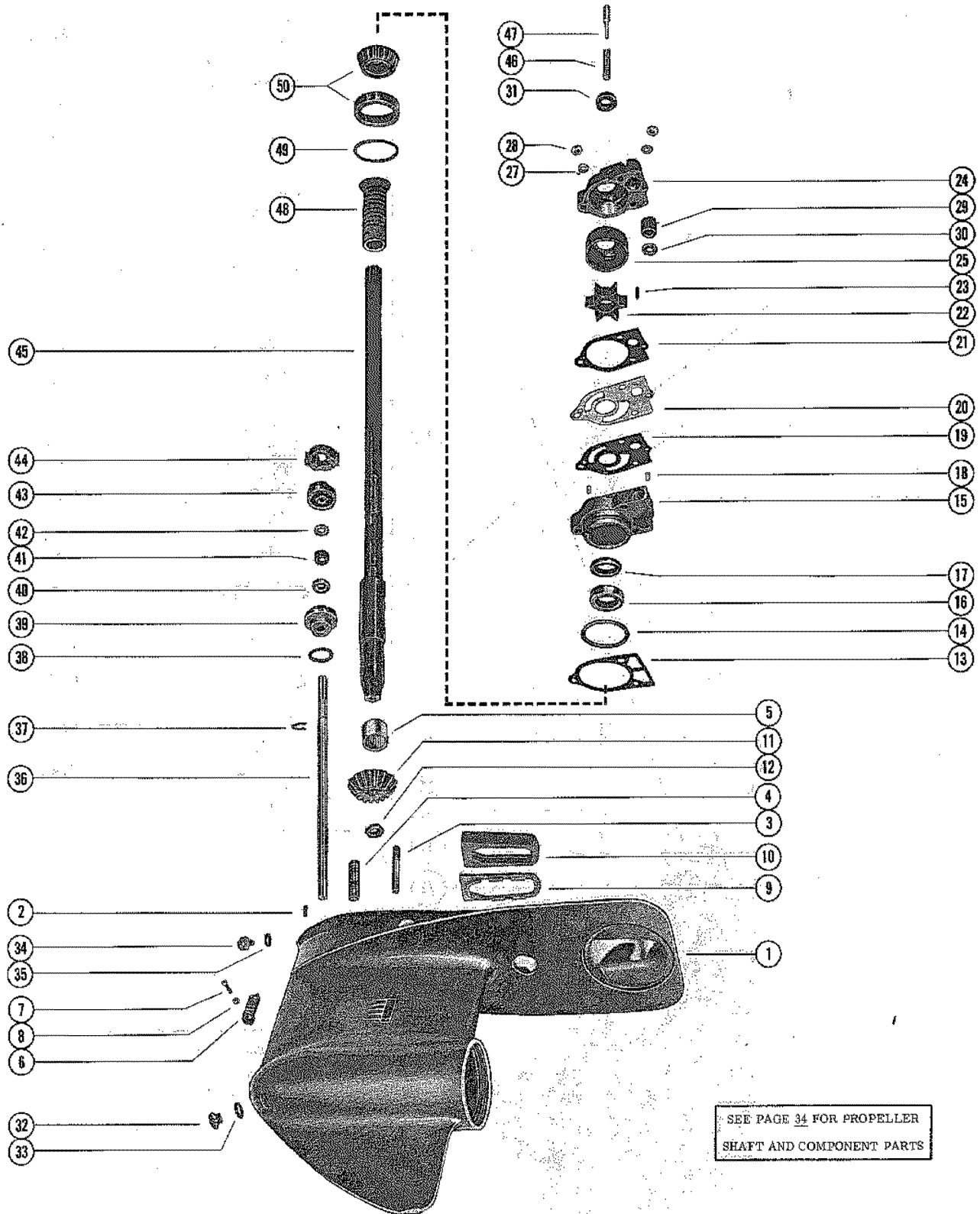
SEE PAGE 34 FOR PROPELLER  
SHAFT AND COMPONENT PARTS

# GEAR HOUSING ASSEMBLY, COMPLETE (PAGE 1)

REF. NO.	PART NO.	SYM.	QTY.	DESCRIPTION
6	63850		1	SCREEN, WATER INTAKE-STARBOARD
	63851		1	SCREEN, WATER INTAKE-PORT
7	10-36070		1	SCREW,WATER INTAKE SCREEN TO GEAR HOUSING
8	11-45812		1	NUT,WATER INTAKE SCREEN SCREW
9	38071		1	PLATE, SUPPORT- EXHAUST TUBE
10	37721		1	SEAL, EXHAUST TUBE
11	43-55607		1	GEAR, PINION-DRIVE SHAFT
12	11-55910		1	NUT, PINION GEAR TO DRIVE SHAFT
13	27-32771		1	GASKET, WATER PUMP BASE TO GEAR HOUSING
14	25-26855		1	"O" RING, WATER PUMP BASE
15	46-73842A2		1	WATER PUMP BASE ASSEMBLY <b>UNITED STATES 4362214 AND BELOW AUSTRALIA 8036449 AND BELOW BELGIUM 9108563 AND BELOW CANADA 7070272 AND BELOW</b>
	46-73640A1		1	WATER PUMP BASE ASSEMBLY <b>UNITED STATES 4362215 AND UP AUSTRALIA 8036450 AND UP BELGIUM 9108564 AND UP CANADA 7070273 AND UP</b>
16	26-26782		1	OIL SEAL, WATER PUMP BASE
17	26-23300		1	OIL SEAL, WATER PUMP BASE
18	17-35973		2	DOWEL PIN, WATER PUMP BASE TO WATER PUMP BODY
19	27-32769		1	GASKET,LOWER-WATER PUMP BASE TO FACE PLATE
20	54705		1	PLATE, FACE-WATER PUMP BASE TO WATER PUMP BODY
21	27-32770		1	GASKET,UPPER-FACE PLATE TO WATER PUMP BODY
22	47-65959		1	IMPELLER, WATER PUMP
23	28-56662		1	KEY,IMPELLER DRIVE
24	46-48746A1		1	WATER PUMP BODY ASSEMBLY
25	48753		1	INSERT,WATER PUMP BODY
27	12-29245		3	WASHER, WATER PUMP BODY AND BASE STUDS
28	11-36069		3	NUT, WATER PUMP BODY AND BASE STUDS
29	26-38452		1	SEAL, RUBBER-WATER INLET TUBE(WATER PUMP BODY)
30	12-38453		1	WASHER, NYLON-WATER PUMP BODY
31	25-20273		1	RING, RUBBER-CENTRIFUGAL SLINGER(DRIVE SHAFT)
32	10-28634		2	SCREW, GREASE FILLER AND VENT HOLE
33	12-20260		2	WASHER, GREASE FILLER AND VENT HOLE SCREW
34	19-48750		1	PLUG, GEAR HOUSING FLUSHING HOLE <b>UNITED STATES 4362214 AND BELOW AUSTRALIA 8036449 AND BELOW BELGIUM 9108563 AND BELOW CANADA 7070272 AND BELOW</b>
35	12-49221		1	WASHER, GEAR HOUSING FLUSHING HOLE <b>UNITED STATES 4362214 AND BELOW AUSTRALIA 8036449 AND BELOW BELGIUM 9108563 AND BELOW CANADA 7070272 AND BELOW</b>
36	60241A1		1	SHAFT ASSEMBLY, SHIFT-LOWER <b>UNITED STATES 4275244 AND BELOW AUSTRALIA 8033704 AND BELOW BELGIUM 9099813 AND BELOW CANADA 7059932 AND BELOW</b>

CONTINUED ON NEXT PAGE ➡

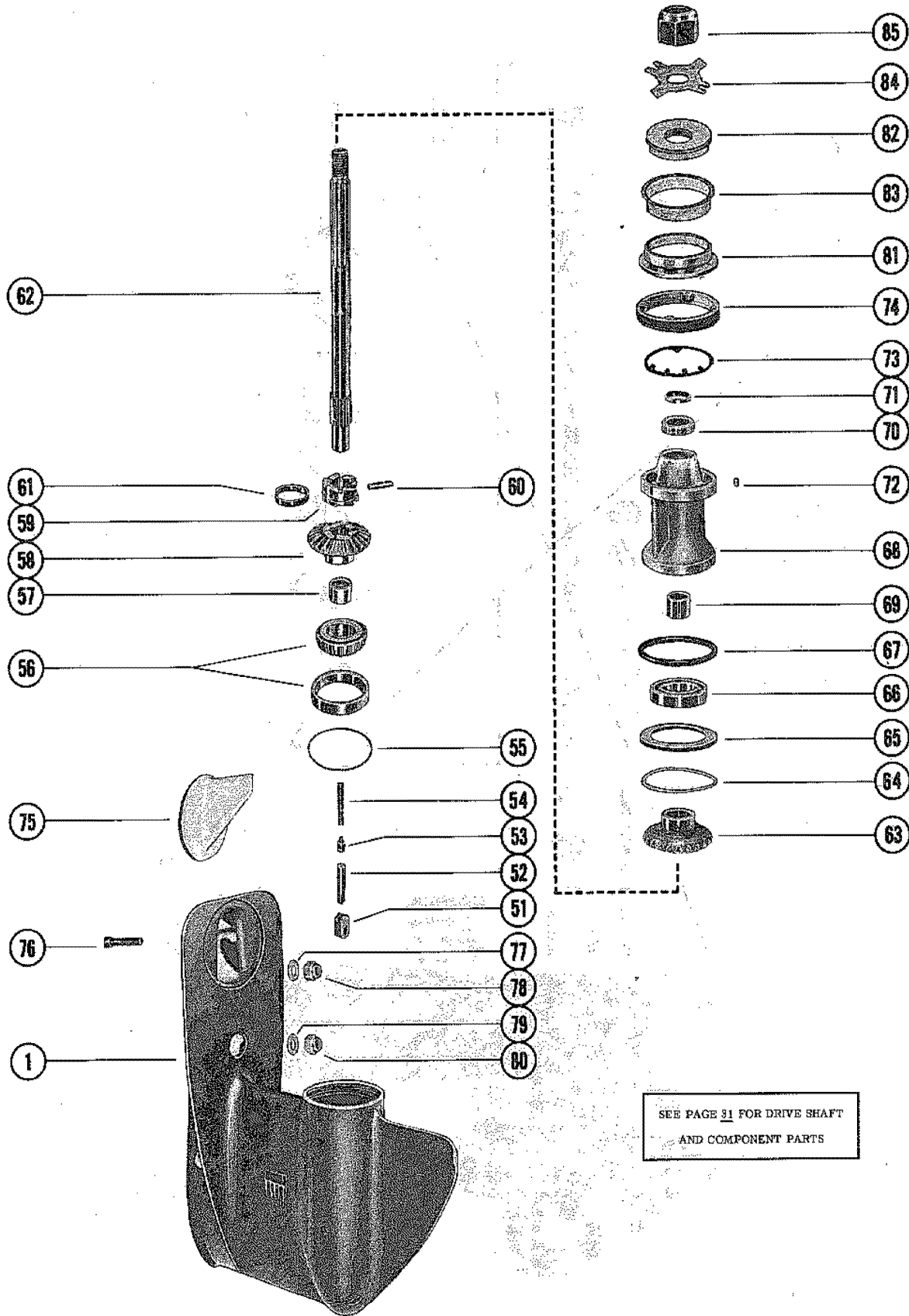
# GEAR HOUSING ASSEMBLY, COMPLETE (PAGE 1)



## GEAR HOUSING ASSEMBLY, COMPLETE (PAGE 1)

REF. NO.	PART NO.	SYM.	QTY.	DESCRIPTION
36	69787A1		1	SHAFT ASSEMBLY, SHIFT-LOWER UNITED STATES 4275245 THRU 4564001 AUSTRALIA 8033705 THRU 8041799 BELGIUM 9099814 THRU 9135224 CANADA 7059933 THRU 7086372
	76063A1		1	SHAFT ASSEMBLY, SHIFT-LOWER UNITED STATES 4564002 AND UP AUSTRALIA 8041800 AND UP BELGIUM 9135225 AND UP CANADA 7086373 AND UP
37	53-29641		1	CLIP, RETAINING-SHIFT SHAFT
38	25-25439		1	"O" RING, SHIFT SHAFT BUSHING
39	23-55419A1		1	BUSHING ASSEMBLY, SHIFT SHAFT
40	26-24590		1	OIL SEAL, SHIFT SHAFT BUSHING(UPPER)
41	26-31249		1	OIL SEAL, SHIFT SHAFT BUSHING(LOWER)
42	12-31266		1	WASHER, RUBBER-SHIFT SHAFT BUSHING
43	39021		1	CAM, REVERSE LOCKING- AND U.S. 4564002 AND UP AUSTRALIA 8041800 AND UP BELGIUM 9135225 AND UP CANADA 7086373 AND UP U.S. 4275244 AND BELOW AUSTRALIA 8033704 AND BELOW BELGIUM 9099813 AND BELOW CANADA 7059932 AND BELOW
	69542		1	CAM, REVERSE LOCKING UNITED STATES 4275245 THRU 4564001 AUSTRALIA 8033705 THRU 8041799 BELGIUM 9099814 THRU 9135224 CANADA 7059933 THRU 7086372
44	39019		1	BASE, REVERSE LOCKING
45	45-69164A2		1	DRIVE SHAFT ASSEMBLY(SHORT SHAFT) UNITED STATES 4564001 AND BELOW AUSTRALIA 8041799AND BELOW BELGIUM 9135224 AND BELOW CANADA 7086372 AND BELOW
	45-69165A2		1	DRIVE SHAFT ASSEMBLY(LONG SHAFT) UNITED STATES 4564001 AND BELOW AUSTRALIA 8041799AND BELOW BELGIUM 9135224 AND BELOW CANADA 7086372 AND BELOW
	45-74855A1		1	DRIVE SHAFT ASSEMBLY (SHORT SHAFT) UNITED STATES 4564002 AND UP AUSTRALIA 8041800 AND UP BELGIUM 9135225 AND UP CANADA 7086373 AND UP
	45-74854A1		1	DRIVE SHAFT ASSEMBLY(LONG SHAFT) UNITED STATES 4564002 AND UP AUSTRALIA 8041800 AND UP BELGIUM 9135225 AND UP CANADA 7086373 AND UP
46	24-20254		1	SPRING, COMPRESSION- DRIVE SHAFT
47	17-30545		1	PIN, DRIVE SHAFT
48	23-60242		1	SLEEVE, LUBRICATION-DRIVE SHAFT
49	15-20929A1		AR	SHIM, BEARING TO GEAR HOUSING(.002-3-5-10)
50	31-38146A1		1	ROLLER BEARING ASSEMBLY,TAPERED-DRIVE SHAFT

# GEAR HOUSING ASSEMBLY, COMPLETE (PAGE 2)

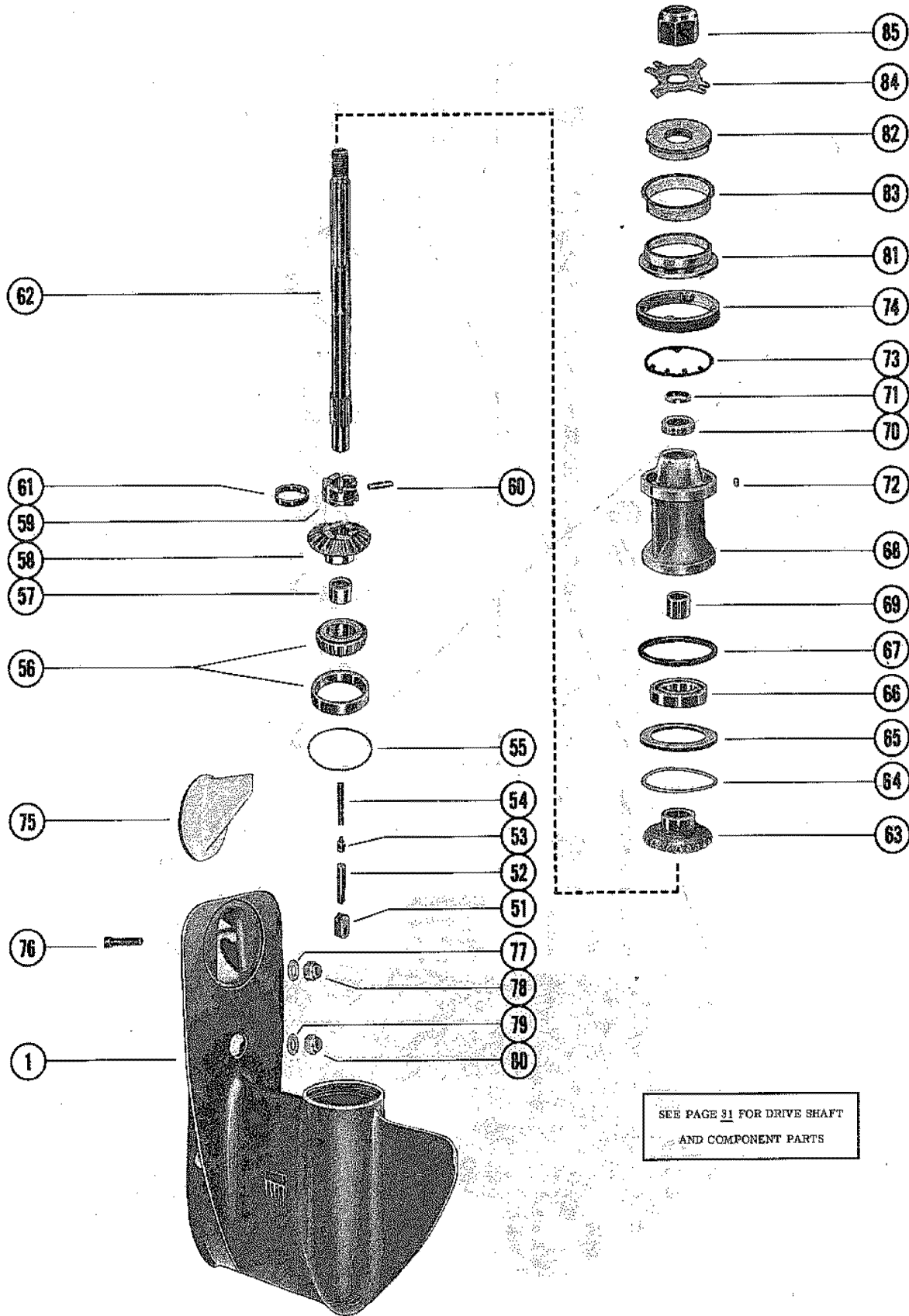


## GEAR HOUSING ASSEMBLY, COMPLETE (PAGE 2)

REF. NO.	PART NO.	SYM.	QTY.	DESCRIPTION
-	1643-4931A9		1	GEAR HOUSING ASSEMBLY, COMPLETE(SHORT SHAFT) THE ENCLOSED GEAR HOUSINGS INCLUDE ALL PARTS FROM REF. #1 THRU #76 AS LISTED ON PAGES 31 AND 34. U.S. 4275244 AND BELOW AUSTRALIA 8033704 AND BELOW BELGIUM 9099813 AND BELOW CANADA 7059932 AND BELOW
-	1643-4931A10		1	GEAR HOUSING ASSEMBLY, COMPLETE(LONG SHAFT) THE ENCLOSED GEAR HOUSINGS INCLUDE ALL PARTS FROM REF. #1 THRU #76 AS LISTED ON PAGES 31 AND 34. U.S. 4275244 AND BELOW AUSTRALIA 8033704 AND BELOW BELGIUM 9099813 AND BELOW CANADA 7059932 AND BELOW
-	1643-4931A29		1	GEAR HOUSING ASSEMBLY, COMPLETE(SHORT SHAFT) THE ENCLOSED GEAR HOUSINGS INCLUDE ALL PARTS FROM REF. #1 THRU #76 AS LISTED ON PAGES 31 AND 34. U.S. 4275245-4362214 AUSTRALIA 8033705-8036449 BELGIUM 9099814-9108563 CANADA 7059933-7070272
-	1643-4931A30		1	GEAR HOUSING ASSEMBLY, COMPLETE (LONG SHAFT) THE ENCLOSED GEAR HOUSINGS INCLUDE ALL PARTS FROM REF. #1 THRU #76 AS LISTED ON PAGES 31 AND 34. U.S. 4275245-4362214 AUSTRALIA 8033705-8036449 BELGIUM 9099814-9108563 CANADA 7059933-7070272
-	1643-6038A5		1	GEAR HOUSING ASSEMBLY, COMPLETE(SHORT SHAFT) THE ENCLOSED GEAR HOUSINGS INCLUDE ALL PARTS FROM REF. #1 THRU #76 AS LISTED ON PAGES 31 AND 34. U.S. 4362215-4564001 AUSTRALIA 8036450-8041799 BELGIUM 9108564-9135224 CANADA 7059933-7086372
-	1643-6038A7		1	GEAR HOUSING ASSEMBLY, COMPLETE(LONG SHAFT) THE ENCLOSED GEAR HOUSINGS INCLUDE ALL PARTS FROM REF. #1 THRU #76 AS LISTED ON PAGES 31 AND 34. U.S. 4362215-4564001 AUSTRALIA 8036450-8041799 BELGIUM 9108564-9135224 CANADA 7059933-7086372
-	1643-6038A17		1	GEAR HOUSING ASSEMBLY, COMPLETE(SHORT SHAFT) THE ENCLOSED GEAR HOUSINGS INCLUDE ALL PARTS FROM REF. #1 THRU #76 AS LISTED ON PAGES 31 AND 34. U.S. 4564002 AND UP AUSTRALIA 8041800 AND UP BELGIUM 9135225 AND UP CANADA 7086373 AND UP
-	1643-6038A18		1	GEAR HOUSING ASSEMBLY, COMPLETE(LONG SHAFT) THE ENCLOSED GEAR HOUSINGS INCLUDE ALL PARTS FROM REF. #1 THRU #76 AS LISTED ON PAGES 31 AND 34. U.S. 4564002 AND UP AUSTRALIA 8041800 AND UP BELGIUM 9135225 AND UP CANADA 7086373 AND UP
1	1643-4931A6		1	GEAR HOUSING ASSEMBLY SEE PAGE 31 FOR BREAKDOWN U.S. 4362214 AND BELOW AUSTRALIA 8036449 AND BELOW BELGIUM 9108563 AND BELOW CANADA 7070272 AND BELOW
	1643-6038A6		1	GEAR HOUSING ASSEMBLY SEE PAGE 31 FOR BREAKDOWN U.S. 4362215 AND UP AUSTRALIA 8036450 AND UP BELGIUM 9108564 AND UP CANADA 7070273 AND UP
51	54346		1	CAM, SHIFT- AND U.S. 4564002 AND UP AUSTRALIA 8041800 AND UP BELGIUM 9135225 AND UP CANADA 7086373 AND UP U.S. 4275244 AND BELOW AUSTRALIA 8033704 AND BELOW BELGIUM 9099813 AND BELOW CANADA 7059932 AND BELOW

CONTINUED ON NEXT PAGE ➡

# GEAR HOUSING ASSEMBLY, COMPLETE (PAGE 2)



SEE PAGE 31 FOR DRIVE SHAFT  
AND COMPONENT PARTS

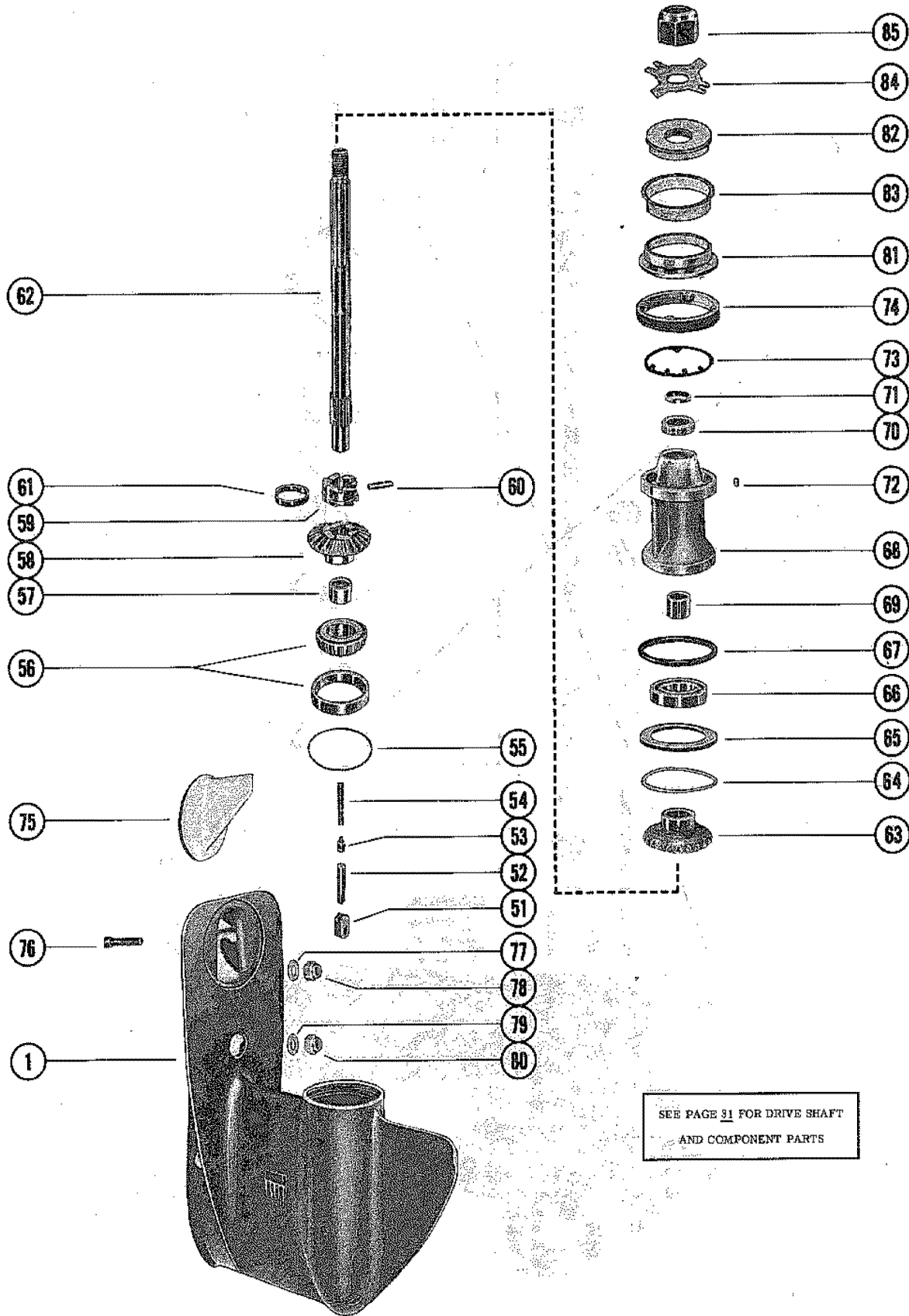


## GEAR HOUSING ASSEMBLY, COMPLETE (PAGE 2)

REF. NO.	PART NO.	SYM.	QTY.	DESCRIPTION
51	69792		1	CAM, SHIFT U.S. 4275245 THRU 4564001 AUSTRALIA 8033705 THRU 8041799 BELGIUM 9099814 THRU 9135224 CANADA 7059933 THRU 7086372
52	38441		1	FOLLOWER, CAM
53	20843		1	SLIDE, CROSS PIN
54	24-39845		1	SPRING, COMPRESSION-CAM FOLLOWER
55	15-38374A1		AR	SHIM, BEARING CUP TO GEAR HOUSING (.002-3-5-10)
56	31-38356A1		1	TAPERED ROLLER BEARING ASSEMBLY
57	31-21739		1	BEARING, ROLLER-FORWARD GEAR
58	43-55608		1	FORWARD GEAR ASSEMBLY
59	52-47586		1	RATCHET, SLIDING CLUTCH
60	17-38113		1	PIN, CROSS-RATCHET TO PROPELLER SHAFT
61	24-38114		1	SPRING, RETAINING- CROSS PIN
62	44-55911		1	SHAFT, PROPELLER UNITED STATES 4564001 AND BELOW AUSTRALIA 8041799AND BELOW BELGIUM 9135224 AND BELOW CANADA 7086372 AND BELOW
	44-75365		1	SHAFT, PROPELLER UNITED STATES 4564002 AND UP AUSTRALIA 8041800 AND UP BELGIUM 9135225 AND UP CANADA 7086373 AND UP
63	43-66554		1	REVERSE GEAR ASSEMBLY
64	15-20927A1		AR	SHIM, THRUST WASHER TO GEAR HOUSING(.002-3-5-10)
65	12-32004		1	WASHER, THRUST-REVERSE GEAR
66	30-20839		1	BEARING, BALL- REVERSE GEAR
67	25-31986		1	"O" RING, BEARING CARRIER
68	69386A1		1	BEARING CARRIER ASSEMBLY
69	31-21700		1	BEARING, ROLLER-BEARING CARRIER
70	26-69188		1	OIL SEAL, BEARING CARRIER
71	26-69189		1	OIL SEAL, BEARING CARRIER
72	28-30281		1	KEY, LOCATING-BEARING CARRIER
73	14-53012		1	TAB WASHER, GEAR HOUSING COVER
74	53013		1	COVER, GEAR HOUSING
75	31640A1		1	TRIM TAB ASSEMBLY, GEAR HOUSING
76	10-66024		1	SCREW, TRIM TAB TO GEAR HOUSING
77	12-45175		1	WASHER, DRIVE SHAFT HOUSING STUD (3/8")
78	11-34863		1	NUT, DRIVE SHAFT HOUSING STUD(3/8")
79	12-65791		1	WASEHR, DRIVE SHAFT HOUSING TO GEAR HOUSING STUD( 7/16")
80	11-34933		1	NUT, DRIVE SHAFT HOUSING TO GEAR HOUSING STUD(7/16")
81	65758		1	THRUST HUB, FRONT UNITED STATES 4564001 AND BELOW AUSTRALIA 8041799AND BELOW BELGIUM 9135224 AND BELOW CANADA 7086372 AND BELOW
82	62124A1		1	THRUST HUB ASSEMBLY, REAR UNITED STATES 4564001 AND BELOW AUSTRALIA 8041799AND BELOW BELGIUM 9135224 AND BELOW CANADA 7086372 AND BELOW
83	12-31992		1	WASHER, CUPPED-THRUST HUB UNITED STATES 4564001 AND BELOW AUSTRALIA 8041799AND BELOW BELGIUM 9135224 AND BELOW CANADA 7086372 AND BELOW

CONTINUED ON NEXT PAGE ➡

# GEAR HOUSING ASSEMBLY, COMPLETE (PAGE 2)



SEE PAGE 31 FOR DRIVE SHAFT  
AND COMPONENT PARTS

## GEAR HOUSING ASSEMBLY, COMPLETE (PAGE 2)

REF. NO.	PART NO.	SYM.	QTY.	DESCRIPTION
81	73345		1	THRUST HUB,FRONT UNITED STATES 4564002 AND UP AUSTRALIA 8041800 AND UP BELGIUM 9135225 AND UP CANADA 7086373 AND UP
84	14-76281		1	TAB WASHER,PROPELLER UNITED STATES 4564002 AND UP AUSTRALIA 8041800 AND UP BELGIUM 9135225 AND UP CANADA 7086373 AND UP
85	11-69578		1	NUT,PROPELLER

# PARTS INDEX

Part Number	Description	Pg.	Ref. No.	Part Number	Description	Pg.	Ref. No.
20843	SLIDE, CROSS PIN . . . . .	71	53	38938	BOTT, RUBBER - STARTER SOLENOID TERMINAL (SMALL) . . . . .	29	38
22789	"C" WASHER, LEAD WIRE CLAMP . . . . .	29	43	38950A1	COVER ASSEMBLY, STOP SWITCH - MANUAL . . . . .	49	22
22789	"C" WASHER, STOP SWITCH LEAD SCREW-MANUAL . . . . .	51	32	39019	BASE, REVERSE LOCKING . . . . .	67	44
22789	"D" WASHER, CLIP SCREW . . . . .	43	26	39021	CAM, REVERSE LOCKING- AND . . . . .	67	43
22833	ADAPTOR, CHECK UNIT (FUEL PUMP) . . . . .	37	19	39448	BRACKET, SHIFT ANCHOR- LOWER . . . . .	33	11
23004	RETAINER, CHECK VALVE . . . . .	37	6	39472	SLIDE, SHIFT ACTUATING . . . . .	33	5
23069	STEM, CHECK UNIT ADAPTOR . . . . .	37	20	39483	LATCH, THROTTLE CONTROL LEVER (THROTTLE CABLE) . . . . .	31	28
24929	PACKING, "U" CUP- UPPER MOUNT COVERS . . . . .	55	27	39501	MOUNT, RUBBER - FRONT SUPPORT BRACKET . . . . .	7	34
24935	COVER, UPPER MOUNT- OUTSIDE HALF . . . . .	55	24	39501	MOUNT, RUBBER - REAR SUPPORT BRACKET . . . . .	5	21
25067	BUMPER, RUBBER- LOWER MOUNT SCREW . . . . .	55	32	39503	BRACKET, RIDE-GUIDE ATTACHING . . . . .	57	16
25661	SOLENOID, STARTER . . . . .	27	33	39515	END CAP, NYLON- ANCHOR BRACKET SLIDE . . . . .	33	10
26852	CAP, NYLON-ADJUSTING SCREW . . . . .	41	33	39516	SLIDE, NYLON-ANCHOR BRACKET . . . . .	33	9
26852	CAP, NYLON-ADJUSTING SCREW . . . . .	31	4	39519	CUP, RETAINER-ANCHOR BRACKET (SHIFT CABLE BARREL) . . . . .	35	18
26852	CAP, NYLON-ADJUSTING SCREW . . . . .	31	8	39522	BRACKET, THROTTLE CONTROL SHAFT (NOT AS SHOWN) . . . . .	31	5
28748	RETAINER, STARTER CABLE AND HANDLE . . . . .	13	53	39556	PAD, SOUND-COVER PLATE . . . . .	49	17
29359	LUBRICAP, SWIVEL BRACKET GREASE FITTING . . . . .	59	35	3955A1	COVER PLATE ASSEMBLY . . . . .	49	16
30188	CUP WASHER, ADAPTOR . . . . .	37	23	39616	BOOT, CONTROL CABLE- BOTTOM COWL . . . . .	49	14
30413	HOOK, COWL LATCH FASTENING . . . . .	15	12	39618	LEVER, NYLON-SHIFT CABLE LOCKING (UPPER BRACKET) . . . . .	35	19
30596	PAWL, STARTER . . . . .	13	40	39619	BUTTON, FRONT COVER RELEASE - TOP COWL . . . . .	3	10
30660	STA-STRAP, STATOR LEADS . . . . .	25	38	39622	SEAL, RUBBER-EXHAUST PLATE TO BOTTOM COWL . . . . .	49	5
30664	TUBE, TILT-CLAMP BRACKET TO SWIVEL BRACKET . . . . .	57	9	39630	CUSHION, RUBBER-BOTTOM COWL . . . . .	49	15
30711	BUMPER, STEERING ARM . . . . .	57	13	39667	COVER, NYLON-SHIFT CABLE . . . . .	35	21
30782	HANDLE, STARTER CABLE . . . . .	13	52	39840	RETAINER, WAVE WASHER . . . . .	13	43
31014	MOUNT, RUBBER - FRONT SUPPORT BRACKET . . . . .	5	27	46265	BOOT, RUBBER - STARTER SOLENOID TERMINAL (LARGE) . . . . .	29	41
31120	COVER, UPPER MOUNT- INSIDE HALF . . . . .	55	25	46785A1	COWL ASSEMBLY ASSEMBLY . . . . .	15	11
31640A1	TRIM TAB ASSEMBLY, GEAR HOUSING . . . . .	71	75	46933A2	GROUND STRAP, BOTTOM COWL TO DRIVE SHAFT HOUSING . . . . .	53	16
32107	GROUND WIRE, STARTER MOTOR TO FRONT SUPPORT BRACKET . . . . .	27	31	46933A3	GROUND STRAP, POWERHEAD TO BOTTOM COWL . . . . .	41	38
34228	SUPPORT, EXTERNAL WIRING HARNESS . . . . .	27	16	47912A2	LEVER ASSEMBLY, TILT STOP-STARBOARD SIDE . . . . .	59	31
35474	COVER, LOWER MOUNT CLAMP . . . . .	55	42				
37637	BOOT, FUEL CONNECTOR- BOTTOM COWL . . . . .	49	13				
37721	SEAL, EXHAUST TUBE . . . . .	65	10				
38071	PLATE, SUPPORT- EXHAUST TUBE . . . . .	65	9				
38158	STRIP, RETAINING-TRIM COVER SEAL (REAR) . . . . .	53	7				
38441	FOLLOWER, CAM . . . . .	71	52				

# PARTS INDEX

Part Number	Description	Pg.	Ref. No.	Part Number	Description	Pg.	Ref. No.
47913A2	LEVER ASSEMBLY, TILT LOCK-PORT SIDE . . . . .	61	39	59071	COVER, FUEL INLET . . . . .	37	33
47969	KNOB AND SHAFT, CHOKE	17	1	59110A1	SHIFT SHAFT ASSEMBLY (LONG SHAFT) . . . . .	35	14
48472	COVER, PLUG-BOTTOM COWL HARNESS HOLE- MANUAL . . . . .	49	2	59110A2	SHIFT SHAFT ASSEMBLY (SHORT SHAFT) . . . . .	33	14
48753	INSERT,WATER PUMP BODY . . . . .	65	25	59720	ROD, PUSH-REVERSE LOCK (LONG SHAFT) . . . . .	55	47
52737	LEVER, COWL LATCH . . . . .	7	43	59721	ROD, PUSH-REVERSE LOCK(SHORT SHAFT) . . . . .	55	47
52739	HINGE, COWL LATCH LEVER . . . . .	7	44	59722	ROD END, PUSH ROD . . . . .	55	49
52882A13	SWIVEL PIN ASSEMBLY( SHORT SHAFT) . . . . .	57	12	60241A1	SHAFT ASSEMBLY, SHIFT- LOWER . . . . .	65	36
52882A9	SWIVEL PIN ASSEMBLY( LONG SHAFT) . . . . .	57	12	60577	MOUNT, RUBBER - REAR SUPPORT BRACKET . . . . .	5	16
52907	INSULATOR, SUPPORT TO BOTTOM COWL . . . . .	27	18	60769	COVER, TRIM-DRIVE SHAFT HOUSING . . . . .	53	10
52917	GUIDE, PUSH ROD . . . . .	55	46	60834A3	CARRIER ASSEMBLY,SEAL	47	12
53013	COVER, GEAR HOUSING . . . . .	71	74	60865	CATCH, FRONT COVER - TOP COWL . . . . .	3	12
53078	CAP, PLASTIC-TILT TUBE . . . . .	59	25	60866	HOOK, FRONT COVER LATCH . . . . .	15	8
54293A5	CHOKE SOLENOID ASSEMBLY . . . . .	27	6	60867A1	BASE, COWL FRONG COVER LATCH . . . . .	15	4
54346	CAM, SHIFT- AND . . . . .	69	51	61002	RETAINER, STARTER REWIND . . . . .	11	36
54705	PLATE, FACE-WATER PUMP BASE TO WATER PUMP BODY . . . . .	65	20	61003	SHAFT, SHEAVE . . . . .	13	50
55157	COVER,EXHAUST MANIFOLD . . . . .	41	29	61830	STATOR SUPPORT . . . . .	23	12
55179	SHUTTER, CHOKE - CARBURETOR . . . . .	17	7	61831	LEVER,SPARK ADVANCE . . . . .	31	26
55180	LEVER, CHOKE . . . . .	17	4	61939	PIVOT,THREADED-TRIGGER PLATE TO LINK ROD . . . . .	31	36
55187	LEVER,THROTTLE CONTROL . . . . .	31	21	61940	LINK ROD . . . . .	31	35
55190	PLATE,DIVIDER-EXHAUST MANIFOLD . . . . .	41	27	62064	BRACKET, STARTER MOTOR . . . . .	39	16
55278A1	DIAPHRAGM KIT . . . . .	37	3	62124A1	THRUST HUB ASSEMBLY, REAR . . . . .	71	82
55334	BRACKET,SHIFT ANCHOR- UPPER . . . . .	33	1	62171	BALL JOINT,THROTTLE CAM	31	15
55455	HOOK, TOP COWL LATCH - REAR . . . . .	7	37	62173	ROD,LINK UPPER . . . . .	31	19
55692	COUPLING,UPPER SHIFT SHAFT . . . . .	35	15	62174	TURNBUCKLE,SPARK ADVANCE LINKAGE . . . . .	31	17
55860	PULLEY, STARTER SCREW	11	28	62236	SHIELD, REAR - TOP COWL	3	7
56074A2	PLUNGER ASSEMBLY, CHOKE SOLENOID . . . . .	27	11	62297	BUMPER, STEERING ARM . . . . .	57	15
56193	LATCH, SHIFT ACTUATING SLIDE (SHIFT CABLE) . . . . .	33	6	62351A1	RECTIFIER ASSEMBLY . . . . .	27	1
56349	SHAFT,REVERSE LOCK TO SWIVEL BRACKET . . . . .	59	26	62351A2	RECTIFIER ASSEMBLY . . . . .	27	1
56466	CABLE, STARTER MOTOR TO STARTE RSOLENOID	27	30	62459	BALL JOINT,SPARK ADVANCE LEVER . . . . .	31	32
56498	CLUSTER, THROTTLE . . . . .	19	17	62973A4	FUEL PUMP ASSEMBLY . . . . .	37	1
57236	CAM, SLIDING - STARTER HOUSING . . . . .	9	9	63123	THROTTLE CAM ACTUATOR	31	1
57440	SWIVEL,UPPER LINK ROD TO THROTTLE CONTROL LEVER . . . . .	31	20	63139	SEAL, TRIM COVER TO DRIVE SHAFT HOUSING . . . . .	53	5
58124A17	SWITCH ASSEMBLY, MERCURY . . . . .	43	22	63177	STRIP, RETAINING-TRIM COVER SEAL(SIDE) . . . . .	53	6
				63323	SPACER, SOUND ABSORBING - FRONT COVER . . . . .	15	3
				63324	BLANKET, COWL FRONT COVER . . . . .	15	2
				63850	SCREEN, WATER INTAKE- STARBOARD . . . . .	65	6
				63851	SCREEN, WATER INTAKE- PORT . . . . .	65	6

# PARTS INDEX

Part Number	Description	Pg.	Ref. No.	Part Number	Description	Pg.	Ref. No.
63970	COVER,TRANSFER PORT ..	41	40	74273A1	SHIFT SHAFT ASSEMBLY (ELECTRIC-SHORT SHAFT) .....	35	14
64069A1	RETAINER ASSEMBLY, BALL BEARING .....	47	2	74273A2	SHIFT SHAFT ASSEMBLY (ELECTRIC-LONG SHAFT)	35	14
64254	SEAL,CARRIER .....	47	13	74316A1	SWIVEL PIN ASSEMBLY(LONG SHAFT) .....	57	12
64877	DIAPHRAGM, POPPET VALVE .....	43	8	74316A2	SWIVEL PIN ASSEMBLY(SHORT SHAFT) .....	57	12
65409	POPPET, RELIEF VALVE ...	43	15	74371	CLUSTER, THROTTLE .....	19	17
65757A1	TOGGLE ASSEMBLY, STARTER INTERLOCK ..	9	13	75043	CAP, THUMB SCREW .....	57	3A
65758	THRUST HUB, FRONT .....	71	81	75104A3	SHIFT SHAFT ASSEMBLY(SHORT SHAFT) .....	35	14
65799	LINK, LOCKING LEVER TO COVER .....	35	22	75104A4	SHIFT SHAFT ASSEMBLY (LONG SHAFT) .....	35	14
65848	CARRIER, POPPET VALVE .	43	17	75105	GUIDE, PUSH ROD .....	55	46
66843	BRACKET, COIL MOUNTING	43	2	75301	MOUNT, RUBBER- UPPER .	55	26
66844	COVER, DIAPHRAGM .....	43	3	75302	MOUNT, RUBBER- LOWER .	55	36
66845	PLATE, RETAINER - STARTER PAWL .....	13	46	75713	SLIDE, SHIFT ACTUATING .	33	5
66848	RETAINER, SPRING .....	13	48	75715	BRACKET, SHIFT ANCHOR- LOWER .....	33	11
66849	CLAMP,TELL TALE HOSE AND NOZZLE-PART OF BOTTOM COWL ASSEMBLY .....	37	11	75716	BRACKET,SHIFT ANCHOR- UPPER .....	33	1
66850	THERMOSTAT .....	43	13	75717	SLIDE, NYLON- ANCHOR BRACKET .....	33	9
67323	BRACKET, SUPPORT - TOP COWL (FRONT ) .....	5	26	75973	PLATE, HINGE .....	7	40
67878	BRACKET, SUPPORT - TOP COWL (REAR) .....	5	15	76053A1	STARTER SHEAVE ASSEMBLY .....	13	39
69214A1	THUMB SCREW ASSEMBLY	57	2	76063A1	SHAFT ASSEMBLY, SHIFT- LOWER .....	67	36
69386A1	BEARING CARRIER ASSEMBLY .....	71	68	76080	HOUSING, STARTER .....	11	33
69542	CAM, REVERSE LOCKING .	67	43	76132	BRACKET, SUPPORT - TOP COWL (REAR) .....	5	15
69543	TUBE, EXHAUST(SHORT SHAFT) .....	53	14	76133	BRACKET, SUPPORT - TOP COWL (FRONT) .....	5	26
69544	TUBE, EXHAUST(LONG SHAFT) .....	53	14	76136	ACTUATOR, INTERLOCK ..	11	23
69592	CLAMP, LOWER MOUNT TO DRIVE SHAFT HOUSING .	55	39	76141	CABLE ASSEMBLY, INTERLOCK .....	11	17
69654	YOKE, BOTTOM .....	61	37	76176	LEVER. FRONT COVER ...	51	36
69782A1	SHIFT SHAFT ASSEMBLY(MANUAL-SHORT SHAFT)	35	14	76184	INDICATOR, TIMING .....	45	27
69782A2	SHIFT SHAFT ASSEMBLY (MANUAL-LONG SHAFT) .	35	14	76254	COVER, IGNITION COIL ...	23	25
69786	GUIDE, PUSH ROD .....	55	46	76259	BLANKET, SOUND ABSORBING - WRAP AROUND COWL .....	15	13
69787A1	SHAFT ASSEMBLY, SHIFT- LOWER .....	67	36	76430	YOKE, BOTTOM .....	61	37
69791A2	HOSE AND NOZZLE, TELL TALE-PART OF BOTTOM COWL ASSEMBLY .....	37	10	76450	BLANKET, COWL FRONT COVER .....	15	2
69792	CAM, SHIFT .....	71	51	76533	STRAP, BRACKET SCREW .	59	20
70690	REVERSE LOCK ASSEMBLY	59	28	76535	BRACKET,RIDE-GUIDE ATTACHING .....	59	16A
70929	BASE,FUEL PUMP .....	37	29	77864	CAM, INTERLOCK .....	11	20
70970	CABLE ASSEMBLY, INTERLOCK .....	9	4	10-20012	SCREW,UPPER BRACKET TO LOWER BRACKET (1 5/8") .....	33	12
72014A2	PLATE ASSEMBLY, EXHAUST EXTENSION ..	49	6	10-20055	SCREW,REED STOP MOUNTING (3/8") .....	47	11
72851	SLIDE,SHIFT ACTUATING ..	33	5	10-20100	SCREW, INTERLOCK CABLE TO STARTE HOUSING (1/2") .....	9	6
73345	THRUST HUB,FRONT .....	73	81				
73537	INSERT, ROPE GUIDE - TOP COWL .....	3	2				

# PARTS INDEX

Part Number	Description	Pg.	Ref. No.	Part Number	Description	Pg.	Ref. No.
10-20639	SCREW, THROTTLE CONTROL BRACKET (1 1/8")	31	9	10-36070	SCREW, WATER INTAKE SCREEN TO GEAR HOUSING	65	7
10-20646	SCREW, REAR SHIELD TO TOP COWL (5/8")	3	8	10-37370	SCREW, COVER TO FUEL PUMP (5/8")	37	35
10-20646	SCREW, TERMINAL BLOCK ATTACHING	25	36	10-37562	SCREW, FRONT SUPPORT BRACKET TO BOTTOM COW (1")	7	32
10-20847	SCREW, THROTTLE STOP LEVER	19	18	10-37562	SCREW, REAR SUPPORT BRACKET TO BOTTOM COW (1")	5	24
10-21339	SCREW, STARTER MOTOR BRACKET TO BLOCK (1 3/8") - MANUAL	39	17	10-37562	SCREW, STARTER HOUSING TO CRANKCASE (1")	11	34
10-21625	SCREW, STARTER SOLENOID TO FRONT SUPPORT BRACKET (3/4")	29	34	10-38398	SCREW, RATCHET TO FLYWHEEL (7/8")	23	7
10-22486	SCREW, LATCH TO THROTTLE CONTROL LEVER (7/8")	31	29	10-39620	SCREW, LATCH TO SHIFT ACTUATING SLIDE	33	7
10-22956	SCREW, REAR HOOK TO TOP COW (7/8")	7	38	10-45210	SCREW, PULLEY TO STARTER HOUSING (1 1/4")	11	29
10-25299	SCREW, INDICATOR ATTACHING (3/4")	45	28	10-45218	SCREW, TERMINAL BLOCK AND SWITCH BOX (3/8")	25	34
10-25764	SCREW, RECTIFIER TO FRONT SUPPORT BRACKET (1/2")	27	2	10-45775	SCREW, MAIN BEARING CLAMPING (9/16")	47	7
10-28634	SCREW, GREASE FILLER AND VENT HOLE	65	32	10-48408	SCREW, STRIP AND SEAL TO DRIVE SHAFT HOUSING (1/2")	53	8
10-29197	SCREW, GROUND WIRE TO STARTER MOTOR (5/8")	27	32	10-48408	SCREW, CLAMP TO BOTTOM COWL	37	39
10-29256	SCREW, LOWER MOUNT CLAMP TO DRIVE SHAFT HOUSING (7/8")	55	40	10-48409	SCREW, LATCH BASE TO FRONT COVER (3/4")	15	5
10-29722	SCREW, COVER TO LOWER CLAMP (5/8")	55	43	10-48409	SCREW, MERCURY SWITCH TO EXHAUST COVER (5/8")	43	23
10-30225	SCREW, UPPER END CAP MOUNTING (1")	39	5	10-49318	SCREW, LOWER MOUNT (5 1/2")	55	33
10-30663	SCREW, MERCURY SWITCH CLIP (3/8")	43	25	10-49987	SCREW, UPPER MOUNT COVER - FRONT (1 1/2")	55	30
10-30663	SCREW, STOP SWITCH LEAD CLAMP - MANUAL	51	31	10-49988	SCREW, UPPER MOUNT COVER - REAR (1 3/4")	55	29
10-31984	SCREW, COIL MOUNTING BRACKET TO BLOCK (1 3/8")	43	4	10-52195	SCREW, FLOAT BOWL COVER	19	13
10-32228	SCREW, HINGE PLATE (5/8")	7	41	10-52447	SCREW, ANCHOR BRACKET TO CYLINDER BLOCK (2 1/8")	33	2
10-32228	SCREW, INTELROCK CABLE TO EXHAUST PLATE (5/8")	11	18	10-54803	SCREW, CONNECTING ROD	47	15
10-32228	SCREW, INTERLOCK CABLE TO EXHAUST PLATE (5/8")	9	5	10-55337	SCREW, THROTTLE CONTROL LEVER TO CYLINDER BLOCK (1 3/4")	31	22
10-32417	SCREW, FLEXIBLE PLATE TO FLYWHEEL (9/16")	23	5	10-56500	SCREW, ADAPTOR TO BOTTOM COWL (1 1/4")	37	24
10-33986	SCREW, UPPER MOUNT TO STEERING ARM	57	14	10-56500	SCREW, CYLINDER BLOCK COVER MOUNTING (1 1/4")	41	36
10-34352	SCREW, BRACKET TO STEERING ARM (7/8")	59	19	10-56787	SCREW, STATOR TO UPPER END CAPT (2")	23	10
10-35213	SCREW, STARTER MOTOR TO CRANKCASE (5/8")	27	27	10-57249	SCREW, TOGGLE TO STARTER HOUSING	9	14
10-35213	SCREW, BLOCK BRACKET TO STARTER MOTOR (1 5/8") - ELECTRIC	39	17				

# PARTS INDEX

Part Number	Description	Pg.	Ref. No.	Part Number	Description	Pg.	Ref. No.
10-58185	SCREW, SCREEN TO CARBURETOR (1")	17	12	10-69088	SCREW, RATCHET TO FLYWHEEL (7/8")	23	7
10-58414	SCREW, COVER AND COIL BRACKET TO BLOCK (2 1/2")	43	6	10-69090	SCREW, CRANKCASE TO CYLINDER BLOCK (2 1/4")	39	19
10-60194	SCREW, COIL COVER TO COIL BRACKET (2 1/8")	23	26	10-69092	SCREW, MANIFOLD COVER TO CYLINDER BLOCK (1 1/4")	41	30
10-61802	SCREW, PLUG COVER TO BOTTOM COWL (7/8")	49	3	10-69093	SCREW, FUEL PUMP MOUNTING (1 1/2")	37	8
10-62568	SCREW, CLAMP ATTACHING (3/8")	29	44	10-69096	SCREW, CRANKCASE TO CYLINDER BLOCK (1 1/2")	39	19
10-62568	SCREW, GROUND STRAP ATTACHING (3/8")	53	17	10-69096	SCREW, BRACKET TO CRANKCASE (1 3/4")	33	3
10-63102	SCREW, ADJUSTING-THROTTLE CAM	31	2	10-69098	SCREW, CRANKCASE TO CYLINDER BLOCK (3 1/2")	39	19
10-63327	SCREW, STARTER BRACKET AND COVER TO BLOCK (1 3/8")	43	5	10-69099	SCREW, MANIFOLD COVER TO CYLINDER BLOCK (1 3/8")	41	30
10-63328	SCREW, CRANKCASE TO CYLINDER BLOCK (3")	39	19	10-69100	SCREW, TRANSFER PORT COVER MOUNTING (1")	41	43
10-63365	SCREW, LOWER END CAP TO CYLINDER BLOCK AND CRANKCASE (1 1/2")	41	25	10-69570	SCREW, WASHER AND DIAPHRAGM TO POPPET VALVE	43	10
10-64021	SCREW, ADJUSTING-EXHAUST COVER (1 7/8")	41	31	10-71913	SCREW, BASE TO TRANSFER PORT COVER	37	30
10-64021	SCREW, ADJUSTING-THROTTLE CONTROL BRACKET (1 7/8")	31	6	10-73649A1	THUMB SCREW ASSEMBLY	57	2
10-65263	SCREW, CHOKE SOLENOID FRONT SUPPORT BRACKET (1")	27	7	10-73657	SCREW, ANCHOR BRACKET TO CYLINDER BLOCK (1 1/2")	33	2
10-66024	SCREW, TRIM TAB TO GEAR HOUSING	71	76	10-73657	SCREW, CRANKCASE TO CYLINDER BLOCK (1 1/2")	39	19
10-67917	SCREW, SUPPORT TO BOTTOM COWL (5/8")	27	17	10-74035	SCREW, RETAINER TO EXHAUST PLAE (3/4")	49	11
10-68298	BOLT, CLAMP BRACKET TO BOAT TRANSOM (LOWER)	59	22	10-76137	SCREW, INTERLOCK ACTUATOR ATTACHING (1 5/8")	11	24
10-68299	BOLT, CLAMP BRACKET TO BOAT TRANSOM (UPPER)	59	22	10-76138	SCREW, INTERLOCK CAM ATTACHING (1 1/8")	11	21
10-69002	SCREW, COIL COVER TO COIL BRACKET (1 2/4")	23	26	10-76213	SCREW, CYLINDER BLOCK COVER MOUNTING (1 1/8")	41	36
10-69010	SCREW, FRONT COVER CATCH TO TOP COW (7/8")	3	13	10-98789	SCREW, RETAINER TO HOUSING	37	7
10-69013	SCREW, WIRING HARNESS CLAMP TO BOTTOM COWL (7/8")	27	24	11-20013	NUT, JAM-BALL JOINT TO TURNBUCKLE	31	16
10-69014	SCREW, COVER PLATE TO BOTTOM COWL	49	18	11-20110	NUT, CHOKE SHUTTER TO CARBURETOR STUD	17	10
10-69047	SCREW, THROTTLE CONTROL BRACKET TO THROTTLE CAM (2 3/8")	31	11	11-20110	NUT, SCREEN SCREW	17	15
10-69052	SCREW, WIRING HARNESS GROUND TO BOTTOM COWL (1/2")	27	20	11-20166	NUT, SHEAVE SHAFT (LEFT HAND THREAD)	9	2
10-69067	SCREW, SWITCH BOX "J" CLIP TO BRACKET	25	33	11-20190	NUT, TERMINAL BLOCK ATTACHING SCREWS	25	37
				11-20509	NUT, BRACKET STUD	59	18
				11-20586	NUT, UPPER ANCHOR BRACKET SCREW	33	13
				11-20586	NUT, LATCH SCREW	31	31
				11-20645	NUT, STARTER SOLENOID TERMINAL (#10)	29	37



# PARTS INDEX

Part Number	Description	Pg.	Ref. No.	Part Number	Description	Pg.	Ref. No.
11-20754	NUT,JAM-UPPER LINK ROD TO TURNBUCKLE . . . . .	31	18	11-46793	NUT,CRANKCSAE FASTENING SCREW . . . .	39	20
11-20890	NUT, CABLE TO STARTER MOTOR . . . . .	27	29	11-46793	NUT,STARTER MOTOR BRACKET SCREW - MANUAL . . . . .	39	18
11-21971	NUT, CONNECTOR BASE TO BOTTOM COWL -MANUAL	51	28	11-46793	NUT,THROTTLE CONTROL BRACKET SCREW . . . . .	31	10
11-22339	NUT, FLYWHEEL . . . . .	23	1	11-46793	NUT,THROTTLE CONTROL BRACKET TO THROTTLE CAM SCREW . . . . .	31	14
11-23161	NUT, UPPER MOUNT BOLT	53	20	11-46887	NUT, COVER MOUNTING SCREW . . . . .	41	37
11-24656	NUT, PULLEY SCREW . . . . .	11	32	11-49091	NUT, CONNECTING ROD SCREW . . . . .	47	16
11-25096	NUT, LOWER MOUNT SCREW . . . . .	55	38	11-55910	NUT, PINION GEAR TO DRIVE SHAFT . . . . .	65	12
11-28770	NUT, JAM-PUSH ROD . . . . .	55	48	11-64015	NUT,ADJUSTING SCREW . .	41	32
11-28770	NUT,CLAMP BRACKET STUD	57	8	11-64015	NUT,JAM-ADJUSTING SCREW . . . . .	31	3
11-30499	NUT, TILT TUBE . . . . .	57	11	11-64015	NUT,JAM-ADJUSTING SCREW . . . . .	31	7
11-34863	NUT, DRIVE SHAFT HOUSING STUD(3/8") . . .	71	78	11-64809	NUT, CARBURETOR MOUNTING STUD . . . . .	21	35
11-34933	NUT, DRIVE SHAFT HOUSING TO GEAR HOUSING STUD(7/16") . .	71	80	11-64809	NUT, POWERHEAD STUDS .	53	15
11-34933	NUT,GEAR HOUSING TO DRIVE SHAFT HOUSING STUDS . . . . .	55	45	11-68411	NUT,CLAMP BRACKET BOLT	59	24
11-35045	NUT, RUBBER MOUNT . . . . .	5	20	11-69431	NUT, SUPPORT FASTENING SCREW . . . . .	27	19
11-35045	NUT, RUBBER MOUNT . . . . .	7	31	11-69431	NUT, UPPER MOUNT COVER FASTENING SCREW . . . . .	55	31
11-35045	NUT, RUBBER MOUNT OT REAR SUPPORT BRACKET (UPPER) . . . . .	5	23	11-69578	NUT,PROPELLER . . . . .	73	85
11-35045	NUT, RUBBER MOUNT TO CRANKCASE (LOWER) . .	7	35	11-69844	NUT,STOP SWITCH -MANUAL . . . . .	51	35
11-35045	NUT, RUBBER MOUNT TO CYLINDER BLOCK COVER (LOWER) . . . . .	5	22	11-71956	NUT, RETAINING-SWIVEL PIN . . . . .	61	38
11-35045	NUT, RUBBER MOUNT TO FRONT SUPPORT BRACKET (UPPER) . . . . .	7	36	11-73231	NUT, RECTIFIER FASTENING SCREW . . . .	27	3
11-35045	NUT,ADAPTOR SCREW . . .	37	25	12-20054	WASHER, RUBBER MOUNT	5	17
11-35521	NUT,LOWER MOUNT CLAMP COVER . . . . .	55	44	12-20054	WASHER, RUBBER MOUNT	5	28
11-35814	NUT, TOP COWL STUD . . . .	3	6	12-20084	WASHER, INDICATOR ATTACHING SCREW . . . .	45	29
11-36069	NUT, WATER PUMP BODY AND BASE STUDS . . . . .	65	28	12-20260	WASHER, GREASE FILLER AND VENT HOLE SCREW	65	33
11-45076	NUT, CHOKE SOLENOID TERMINAL . . . . .	27	10	12-21631	WASHER, RUBBER MOUNT	5	18
11-45076	NUT, COIL TERMINALS . . . .	23	23	12-21631	WASHER, RUBBER MOUNT	5	29
11-45076	NUT, RECTIFIER TEMRINAL (10-32) . . . . .	27	5	12-22887	WASHER, PULLEY SCREW .	11	30
11-45774	NUT,MAIN BEARING CLAMPING SCREW . . . . .	47	8	12-25176	WASHER, SWIVEL PIN TO BOTTOM YOKE(.060) . . . .	59	36
11-45812	NUT,WATER INTAKE SCREEN SCREW . . . . .	65	8	12-25893	WASHER,THROTTLE CONTROL BRACKET TO THROTTLE CAM SCREW	31	12
11-46438	NUT,BALL JOINT TO SPARK ADVANCE LEVER . . . . .	31	33	12-26013	WASHER, INTERLOCK CABLE SCRE . . . . .	9	8
11-46793	NUT, BRACKET SCREW . . .	33	4	12-26014	WASHER, LATCH BASE SCREW . . . . .	15	6
11-46793	NUT, CHOKE SOLENOID SCREW . . . . .	27	8	12-26014	WASHER, REAR SHIELD SCREW . . . . .	3	9
11-46793	NUT, TILT LOCK AND STOP LEVER SCREW . . . . .	61	41	12-26837	WASHER,SWIVEL PIN TO BOTTOM YOKE (.065) . . .	59	36
11-46793	NUT, TILT LOCK AND STOP LEVER TO CLAMP BRACKET . . . . .	61	45				

# PARTS INDEX

Part Number	Description	Pg.	Ref. No.	Part Number	Description	Pg.	Ref. No.
12-28008	WASHER, THROTTLE CONTROL LEVER SCREW	31	27	12-65791	WASHER, DRIVE SHAFT HOUSING TO GEAR HOUSING STUDS	53	9
12-28051	WASHER, LOWER MOUNT SCREW	55	34	12-66966	WASHER, RUBBER- UPPER MOUNT BOLT	55	22
12-28053	WASHER, RUBBER- LOWER MOUNT SCREW	55	35	12-68300	WASHER, CLAMP BRACKET BOLT(UPPER)	59	23
12-29245	WASHER, WATER PUMP BODY AND BASE STUDS	65	27	12-68410	WASHER, CLAMP BRACKET BOLT(LOWER)	59	23
12-30119	WASHER, LOWER MOUNT SCREW	55	37	12-70988	WASHER, THUMB SCREW	57	3
12-30191	WASHER, INTERLOCK CABLE	11	26	12-76451	WASHER, DIAPHRAGM	43	9
12-30314	WASHER, CHOKE SHAFT	17	2	13-20160	WASHER, WAVE - RETAINER TENSION	13	45
12-30519	WASHER, UPPER MOUNT BOLT (3/8 ID)	53	21	13-20202	LOCKWASHER, RATCHET SCREW	23	8
12-31266	WASHER, RUBBER-SHIFT SHAFT BUSHING	67	42	13-21972	LOCKWASHER, CONNECTOR BASE - MANUAL	51	27
12-31992	WASHER, CUPPED-THRUST HUB	71	83	13-24669	LOCKWASHER, WIRING HARNESS GROUND SCREW	27	21
12-32004	WASHER, THRUST- REVERSE GEAR	71	65	13-26992	LOCKWASHER, REAR HOOK SCREW	7	39
12-36258	WASHER, FLYWHEEL NUT	23	2	13-26992	LOCKWASHER, RUBBER MOUNT	5	19
12-37998	WASHER, INTERLOCK CABLE	9	11	13-26992	LOCKWASHER, RUBBER MOUNT	5	30
12-37998	WASHER, UPPER SHIFT SHAFT-MANUAL	35	16	13-26992	WASHER, STARTER SOLENOID SCREW	29	35
12-38453	WASHER, NYLON-WATER OUTLET TUBE	49	8	13-26993	LOCKWASHER, CABLE TO STARTER MOTOR NUT	27	28
12-38453	WASHER, NYLON-WATER PUMP BODY	65	30	13-26993	LOCKWASHER, CLAMP BRACKET STUD	57	7
12-45175	WASHER, DRIVE SHAFT HOUSING STUD (3/8")	71	77	13-26993	LOCKWASHER, FRONT SUPPORT BRACKET SCREW	7	33
12-46101	WASHER, SCREEN SCREW	17	14	13-26993	LOCKWASHER, REAR SUPPORT BRACKET SCREW	5	25
12-47247	WASHER, NEEDLE BEARING RETAINING	47	19	13-26993	LOCKWASHER, STARTER HOUSING SCREW	11	35
12-47960	WASHER, CHOKE SHUTTER CARBURETOR STUD	17	9	13-26993	LOCKWASHER, STARTER SOLENOID TERMINAL (5/16")	29	39
12-49221	WASHER, GEAR HOUSING FLUSHING HOLE	65	35	13-26993	LOCKWASHER, COIL MOUNTING BRACKET SCREW	43	7
12-52864	WASHER, CLAMP BRACKET TO SWIVEL BRACKET	57	10	13-26995	LOCKWASHER, FLOAT BOWL COVER SCREW	19	15
12-52865	WASHER, SWIVEL PIN	59	21	13-26996	LOCKWASHER, CHOKE SOLENOID TERMINAL	27	9
12-56720	WASHER, TILT LOCK AND STOP LEVER	61	44	13-26996	LOCKWASHER, FRONT COVER CATCH SCREW	5	14
12-57837	WASHER, WAVE WASHER RETAINER	13	44	13-26996	LOCKWASHER, HINGE PLATE XCREW	7	42
12-57860	WASHER, SHEAVE SHAFT	13	49	13-26996	LOCKWASHER, STARTER SOLENOID TERMINAL (#10)	29	36
12-59061	WASHER, STOP SWITCH - MANUAL	49	23	13-26996	LOCKWASHER, STATOR SCREW	23	11
12-61982	WASHER, TRIGGER TO STATOR SUPPORT (LOWER)	23	15				
12-62133	WASHER, TRIGGER TO STATOR SUPPORT (UPPER)	23	13				
12-64275	WASHER, CONNECTOR BASE - MANUAL	51	26				
12-65791	WASEHR, DRIVE SHAFT HOUSING TO GEAR HOUSING STUD(7/16")	71	79				

# PARTS INDEX

Part Number	Description	Pg.	Ref. No.	Part Number	Description	Pg.	Ref. No.
13-26996	LOCKWASHER, STOP SWITCH - MANUAL . . . . .	49	24	16-68168	STUD, CYLINDER BLOCK TO DRIVE SHAFT HOUSING (3 11/16") . . . . .	39	9
13-27660	LOCKWASHER, INTERLOCK CABLE SCREW . . . . .	9	7	16-69016	STUD, CHOKE SHUTTE PIVOT (CARBURETOR) . . . . .	17	6
13-34632	WASHER, WAVE-TILT LOCK AND STOP LEVER . . . . .	61	43	17-20032	DOWEL PIN, MAIN BEARING	47	6
13-36206	WASHER, WAVE - STARTER PAWL . . . . .	13	41	17-20323	DOWEL PIN, CYLINDER BLOCK TO MAIN BEARING	39	14
13-61983	WASHER, WAVE - TRIGGER TO STATOR SUPPORT (CENTER) . . . . .	23	14	17-23784	DOWEL PIN, CRANKCASE TO CYLINDER BLOCK . . . . .	39	13
13-62172	WAVE WASHER, THROTTLE BRACKET/THROTTLE CAM SCREW . . . . .	31	13	17-25598	ROLL PIN, REVERSE LOCK SPRING ATTACHING . . . . .	59	27
13-69432	LOCKWASHER, GROUND STRAP SCREW . . . . .	53	18	17-26541	ROLL PIN, LEVER TO BOTTOM COWL . . . . .	51	37
13-69845	LOCKWASHER, STOP SWITCH -MANUAL . . . . .	51	34	17-29908	ROLL PIN, INDICATOR LOCATING . . . . .	45	31
14-53012	TAB WASHER, GEAR HOUSING COVER . . . . .	71	73	17-30545	PIN, DRIVE SHAFT . . . . .	67	47
14-61004	TAB WASHER, SHEAVE SHAFT NUT . . . . .	9	1	17-35973	DOWEL PIN, WATER PUMP BASE TO WATER PUMP BODY . . . . .	65	18
14-76281	TAB WASHER, PROPELLER . . . . .	73	84	17-38113	PIN, CROSS-RATCHET TO PROPELLER SHAFT . . . . .	71	60
15-20927A1	SHIM, THRUST WASHER TO GEAR HOUSING(.002-3-5-10) . . . . .	71	64	17-39599	PIN PIVOT - FRONT COVER LATCH HOOK . . . . .	15	7
15-20929A1	SHIM, BEARING TO GEAR HOUSING(.002-3-5-10) . . . . .	67	49	17-46912	PIN, DOWEL-GEAR HOUSING . . . . .	63	2
15-38374A1	SHIM, BEARING CUP TO GEAR HOUSING (.002-3-5-10) . . . . .	71	55	17-47175	PIN, LOCKING LEVER AND COVER FASTENING . . . . .	35	20
16-21391	STUD, TOP COWL TO SUPPORT BRACKET - REAR (1 1/2") . . . . .	3	4	17-49930A1	TILT LOCK PIN ASSEMBLY . . . . .	57	4
16-21553	STUD, TOP COWL TO SUPPORT BRACKET - FRONT (1 1/2") . . . . .	3	5	17-57211	DOWEL PIN, RETAINER TO CYLINDER BLOCK . . . . .	39	12
16-33778	STUD, WATER PUMP BODY/BASE TO GEAR HSG (2 5/8") . . . . .	63	3	17-58998	ROL PIN, HINGE TO LEVER	7	45
16-39781	STUD, BRACKET TO STEERING ARM(1 1/4") . . . . .	57	17	17-62768	PIN, SPRING RETENTION . . . . .	23	18
16-57932	STUD, DRIVE SHAFT HOUSING TO GEAR HOUSING (1 3/4") . . . . .	53	2	17-72524	PIN, REVERSE LOCK LEVER	55	50
16-57933	STUD, GEAR HOUSING TO DRIVE SHAFT HOUSING . . . . .	63	4	18-25191	COTTER PIN, PUSH ROD TO REVERSE LOCK . . . . .	55	51
16-57935	STUD, DRIVE SHAFT HOUSING TO GEAR HOUSING (3") . . . . .	53	3	18-26953	COTTER PIN, INTERLOCK CABLE TO SLIDING CAM	9	12
16-59625	STUD, CLAMP BRACKET . . . . .	57	6	18-26953	COTTER PIN, UPPER SHIFT SHAFT -MANUAL . . . . .	35	17
16-68164	STUD, CARBURETOR MOUNTING (1 1/4") . . . . .	39	7	18-27769	COTTER PIN, INTERLOCK CABLE TO ACTUATOR . . . . .	11	27
16-68165	STUD, CRANKCASE TO DRIVE SHAFT HOUSING (1 5/8") . . . . .	39	8	18-45882	COTTER PIN, REVERSE LOCK TO SHAFT . . . . .	59	30
16-68166	STUD, CYLINDER BLOCK TO DRIVE SHAFT HOUSING (2 7/64") . . . . .	39	10	19-35827	PLUG, BOTTOM COWL PART OF BOTTOM COWL ASSEMBLY . . . . .	27	14
				19-48750	PLUG, GEAR HOUSING FLUSHING HOLE . . . . .	65	34
				19-64649	PLUG, PLASTIC-WATER PICK-UP HOLE . . . . .	53	4
				21-30430A3	CHECK VALVE ASSEMBLY . . . . .	37	2
				21-47968	SPRING, COMPRESION - CHOKE SHAFT . . . . .	17	3
				21-64871A3	ELBOW ASSEMBLY, CYLINDER BLEED . . . . .	43	20
				22-29111	FITTING, BLOCK TO FUEL PUMP HOSE . . . . .	37	14
				22-30175	SLEEVE, RUBBER-ELBOW . . . . .	37	16

# PARTS INDEX

Part Number	Description	Pg.	Ref. No.	Part Number	Description	Pg.	Ref. No.
22-30177	,NUT,ELBOW TO FUEL LINE	37	17	24-39598	SPRING, TORSION - FRONT		
22-32802	PLUG,PIPE-CYLINDER				COVER LATCH HOOK . . .	15	9
	BLOCK COVER . . . . .	41	39	24-39845	SPRING, COMPRESSION-		
22-32802	PLUG,PIPE-FUEL PUMP . . .	37	9		CAM FOLLOWER . . . . .	71	54
22-64704	FITTING,ELBOW-			24-55162	SPRING,RETURN-SPARK		
	CARBURETOR . . . . .	37	38		ADVANCE LEVER . . . . .	31	25
22-64705	FITTING,FILTER BASE . . . .	37	36	24-55163	SPRING, TENSION - CHOKE		
22-65857	FITTING CYLINDER BLEED .	43	21		SHUTTER . . . . .	17	8
22-69059	FITTING,GREASE-SWIVEL			24-57279	SPRING, TOGGLE SCREW .	9	16
	BRACKET . . . . .	59	34	24-57818	SPRING, TENSION -		
22-70007	FITTING,FUEL . . . . .	37	26		SCREEN SCREW . . . . .	17	13
22-70800	ELBOW,PUMP INLET TO			24-60239	SPRING,STOP SWITCH -		
	FUEL LINE (90) . . . . .	37	15		MANUAL . . . . .	49	20
22-74036	FITTING GREASE-SWIVEL			24-62095	SPRING, COMPRESSION . .	23	17
	BRACKET . . . . .	59	34	24-66852	SPRING, COMPRESSION-		
23-26856	BUSHING, TOGGLE SCREW	9	15		POPPET RELIEF VALVE .	43	16
23-30977	SPACER, PULLEY SCREW .	11	31	24-66853	SPRING, RETAINER TO		
23-47911	BUSHING, TILT LOCK AND				STARTER SHEAVE . . . . .	13	47
	STOP LEVER . . . . .	61	42	24-70086	SPRING, SLIDING CAM . . . .	9	10
23-55164	BUSHING,THROTTLE			24-76139	SPRING, INTERLOCK		
	CONTROL LEVER SCREW	31	23		ACTUATOR SCREW . . . . .	11	25
23-55171	BUSHING,THROTTLE			24-76140	SPRING, INTERLOCK CAM		
	CONTROL LEVER SCREW	31	24		SCREW . . . . .	11	22
23-55419A1	BUSHING ASSEMBLY, SHIFT			24-76177	SPRING,FRONT COVER		
	SHAFT . . . . .	67	39		LEVER . . . . .	51	38
23-59623	SPACER, CLAMP BRACKET			25-20273	RING, RUBBER-		
	STUD . . . . .	57	5		CENTRIFUGAL SLINGER(		
23-60242	SLEEVE, LUBRICATION-				DRIVE SHAFT) . . . . .	65	31
	DRIVE SHAFT . . . . .	67	48	25-20415	"O" RING,ADAPTOR STEM .	37	21
23-62769	SPACER, COIL SWITCH BOX			25-25439	"O" RING, SHIFT SHAFT		
	LEAD TERMINAL . . . . .	23	21		BUSHING . . . . .	67	38
23-62769	SPACER, INDICATOR			25-26855	"O" RING, WATER PUMP		
	ATTACHING SCREW . . . . .	45	30		BASE . . . . .	65	14
23-62769	SPACER, RECTIFIER			25-31986	"O" RING, BEARING		
	TERMINAL - BATTERY				CARRIER . . . . .	71	67
	LEAD . . . . .	27	4	25-39597	GROMMET, STARTER		
23-63061	SPACER, SHEAVE SHAFT .	13	42		HOUSING . . . . .	9	3
23-63100	BUSHING . . . . .	13	38	25-39597	GROMMET,COIL MOUNTING		
23-71980	BUSHING, FLANGE				BRACKET . . . . .	43	11
	EXHAUST PLATE . . . . .	49	7	25-47254	"O" RING, UPPER END CAP	39	2
24-20099	SPRING,COMPRESSION-			25-47386	"O" RING, COVER TO		
	LATCH SCREW . . . . .	31	30		HOUSING . . . . .	37	32
24-20254	SPRING, COMPRESSION-			25-57806	GROMMET, TRIM COVER		
	DRIVE SHAFT . . . . .	67	46		SCREW . . . . .	53	12
24-23067	SPRING,ADAPTOR STEM . .	37	22	25-64067	"O" RING,LOWER END CAP	41	24
24-27087	SPRING,COMPRESSION-			25-64068	"O" RING,LOWER END CAP		
	LATCH SCREW . . . . .	33	8		SCREW . . . . .	41	23
24-28975	SPRING, GARTER -			25-64872	GROMMET,POPPET VALVE	43	18
	INTERNAL WIRING			25-65936	"O" RING,UPPER MOUNT		
	HARNESS . . . . .	27	25		BOLT . . . . .	55	28
24-29821	SPRING, REVERSE LOCK			26-23300	OIL SEAL, WATER PUMP		
	TENSION . . . . .	59	29		BASE . . . . .	65	17
24-35522	SPRING, TENSION- LOWER			26-24590	OIL SEAL, SHIFT SHAFT		
	MOUNT CLAMP . . . . .	55	41		BUSHING(UPPER) . . . . .	67	40
24-37911	SPRING, COMPRESSION -			26-26782	OIL SEAL, WATER PUMP		
	FRONT COVER RELEASE				BASE . . . . .	65	16
	BUTTON . . . . .	3	11	26-29476	OIL SEAL,LOWER END CAP	41	22
24-38114	SPRING, RETAINING-			26-31249	OIL SEAL, SHIFT SHAFT		
	CROSS PIN . . . . .	71	61		BUSHING(LOWER) . . . . .	67	41
24-39502A1	SPRING, STARTER REWIND	11	37	26-32911	OIL SEAL BRACKET . . . . .	59	33

# PARTS INDEX

Part Number	Description	Pg.	Ref. No.	Part Number	Description	Pg.	Ref. No.
26-38452	SEAL, RUBBER-WATER INLET TUBE(WATER PUMP BODY) . . . . .	65	29	31-38146A1	ROLLER BEARING ASSEMBLY,TAPERED-DRIVE SHAFT . . . . .	67	50
26-38452	SEAL, RUBBER-WATER OUTLET TUBE . . . . .	49	9	31-38356A1	TAPERED ROLLER BEARING ASSEMBLY . . . . .	71	56
26-69188	OIL SEAL, BEARING CARRIER . . . . .	71	70	31-62066	BALL BEARING, UPPER END CAP . . . . .	39	3
26-69189	OIL SEAL, BEARING CARRIER . . . . .	71	71	31-62091	BEARING, ROLLER-DRIVE SHAFT . . . . .	63	5
27-25848	GASKET, NYLON-FILTER COVER SCREW . . . . .	37	34	31-62596A1	BEARING ASSEMBLY,CRANKPIN . . . . .	47	17
27-32769	GASKET,LOWER-WATER PUMP BASE TO FACE PLATE . . . . .	65	19	32-34395A1	HOSE ASSEMBLY,CYLINDER BLOCK TO FUEL PUMP (11") . . . . .	37	12
27-32770	GASKET,UPPER-FACE PLATE TO WATER PUMP BODY . . . . .	65	21	32-37727	TUBE, WATER OUTLET( SHORT SHAFT) . . . . .	53	13
27-32771	GASKET, WATER PUMP BASE TO GEAR HOUSING . . . . .	65	13	32-45679	TUBE, WATER OUTLET( LONG SHAFT) . . . . .	53	13
27-38501	GASKET, EXHAUST PLATE TO DRIVE SHAFT HOUSING . . . . .	49	12	32-54936	HOSE, CYLINDER BLEED (8") . . . . .	43	19
27-38501	GASKET, EXHAUST PLATE TO DRIVE SHAFT HOUSING . . . . .	53	19	32-56367	FUEL LINE, FUEL PUMP TO ADAPTOR . . . . .	37	18
27-48164	GASKET, CARUBRETOR FLANGE . . . . .	21	34	32-63146	FUEL LINE, FUEL PUMP TO FILTER COVER (4 1/2") . . . . .	37	28
27-55158	GASKET,SEALING-CYLINDER BLOCK . . . . .	39	15	32-63146	FUEL LINE,FILTER COVER TO BASE PUMP(6") . . . . .	37	37
27-55279	GASKET,TRANSFER PORT COVER . . . . .	41	41	33-57451	SPARK PLUG (AC#V40FFM) . . . . .	25	28
27-55306	GASKET,CYLINDER BLOCK TO BAFFLE PLATE . . . . .	41	26	34-56007A1	REED SET, MAIN BEARING (MATCHED) . . . . .	47	9
27-55306A75	GASKET SET . . . . .	1	-	34-56008	REED STOP,MAIN BEARING REED VALVES . . . . .	47	10
27-55307	GASKET, CYLINDER BLOCK COVER . . . . .	41	35	35-57819	SCREEN, CARBURETOR . . . . .	17	11
27-55308	GASKET,BAFFLE PLATE TO EXHAUST COVER . . . . .	41	28	35-59072	SCREEN, FILTER-INLET . . . . .	37	31
27-62386	GASKET, THERMOSTAT . . . . .	43	14	37-70178A75	DECAL SET (MERC 402)_ . . . . .	1	-
27-62860	GASKET,POWERHEAD TO EXHAST EXTENSION PLATE . . . . .	49	4	37-73904A76	DECAL SET (MERC 402) . . . . .	1	-
27-66847	GASKET,COIL MOUNTING BRACKET TO BLOCK . . . . .	43	12	37-73904A77	DECAL SET (MERC 402) . . . . .	1	-
27-74708	GASKET, CYLINDER BLOCK COVER . . . . .	41	35	39-45155A12	RING,PISTON . . . . .	47	22
28-30281	KEY, LOCATING-BEARING CARRIER . . . . .	71	72	39-45204A12	RING,PISTON(.015 OVERSIZE) . . . . .	47	-
28-45554	KEY, FLYWHEEL DRIVE . . . . .	23	3	40-52035	LOCK RING,PISTON PIN . . . . .	47	21
28-56662	KEY,IMPELLER DRIVE . . . . .	65	23	43-55607	GEAR, PINION-DRIVE SHAFT . . . . .	65	11
29-47270	BEARING, NEEDLE-PISTON PIN . . . . .	47	18	43-55608	FORWARD GEAR ASSEMBLY . . . . .	71	58
30-20839	BEARING, BALL- REVERSE GEAR . . . . .	71	66	43-66554	REVERSE GEAR ASSEMBLY . . . . .	71	63
30-63742	BALL BEARING,RETAINER (CRANKSHAFT) . . . . .	47	3	44-55911	SHAFT, PROPELLER . . . . .	71	62
31-21700	BEARING, ROLLER-BEARING CARRIER . . . . .	71	69	44-75365	SHAFT, PROPELLER . . . . .	71	62
31-21739	BEARING, ROLLER-FORWARD GEAR . . . . .	71	57	45-69164A2	DRIVE SHAFT ASSEMBLY( SHORT SHAFT) . . . . .	67	45
				45-69165A2	DRIVE SHAFT ASSEMBLY( LONG SHAFT) . . . . .	67	45
				45-74854A1	DRIVE SHAFT ASSEMBLY( LONG SHAFT) . . . . .	67	45
				45-74855A1	DRIVE SHAFT ASSEMBLY (SHORT SHAFT) . . . . .	67	45
				46-48746A1	WATER PUMP BODY ASSEMBLY . . . . .	65	24
				46-73640A1	WATER PUMP BASE ASSEMBLY . . . . .	65	15
				46-73842A2	WATER PUMP BASE ASSEMBLY . . . . .	65	15

# PARTS INDEX

Part Number	Description	Pg.	Ref. No.	Part Number	Description	Pg.	Ref. No.
47-65959	IMPELLER, WATER PUMP	65	22	87-61577A1	CONTACT ASSEMBLY, STOP SWITCH - MANUAL	49	21
50-28985A1	STARTER CABLE ASSEMBLY	13	51	87-69508A5	STOP SWITCH ASSEMBLY-MANUAL	51	33
50-55601	STARTER MOTOR ASSEMBLY	27	26	90-71706	MERC 402 PARTS LIST	1	-
50-55601A1	ELECTRIC STARTER KIT	1	-	92-25234--1	GLUE, ADHESIVE - BLANKET FASTENING	15	--
50-65213	RATCHET, FLYWHEEL	23	6	242-4764A15	FLYWHEEL ASSEMBLY (ELECTRIC)	23	4
50-66855A1	STARTER SHEAVE ASSEMBLY	13	39	242-4764A16	FLYWHEEL ASSEMBLY (MANUAL)	23	4
52-47586	RATCHET, SLIDING CLUTCH	71	59	242-4764A7	FLYWHEEL ASSEMBLY	23	4
53-29641	CLIP, RETAINING-SHIFT SHAFT	67	37	332-2854	BOOT, LEAD TO IGNITION COIL	25	30
53-30428	FASTENER, PLUG TO BOTTOM COWL PART OF BOTTOM COWL ASSEMBLY	27	15	332-4811A2	MODULE ASSEMBLY	1	-
53-58656	RING, RETAINING - ROPE GUIDE INSERT	3	3	332-4911A5	SWITCH BOX ASSEMBLY, COMPLETE	25	31
53-58656	RING, RETIANING - ROPE GUIDE INSERT	3	3	338-4731A6	TRIGGER PLATE ASSEMBLY	23	16
53-63634	RETAINING RING, BALL BEARING	47	4	339-5288A2	IGNITION COIL ASSEMBLY, COMPLETE	23	20
54-20386	CLAMP,HOSE	37	13	339-5748A2	IGNITION COIL ASSEMBLY, COMPLETE	23	20
54-24871	CLAMP, CHOKE SOLENOID LEAD WIRE	29	42	398-5255	STATOR, ALTERNATOR (ELECTRIC)	23	9
54-26550	CLAMP, STOP SWITCH LEAD - MANUAL	51	30	398-5256	STATOR, IGNITION (MANUAL)	23	9
54-26550	CLIP, MERCURY SWITCH LEAD	43	24	454-5628A3	CRANKSHAFT ASESEMBLY	47	1
54-54457	"J" CLIP, COIL HARNESS	41	42	540-3943A1	MAIN BEARING ASSEMBLY, VALVE TYPE	47	5
54-54457	"J" CLIP, SWITCH BOX LEADS	25	32	622-4850A3	CONNECTING ROD ASSEMBLY	47	14
54-54457	"J" CLIP, TRIGGER LEADS TO RUBBER SUPPORT MOUNT	23	19	745-5220A2	PISTON AND PISTON PIN ASSEMBLY	47	20
54-68424	CLAMP,FUEL LINE ATTACHING	37	27	745-5306A2	PISTON AND PISTON PIN ASSEMBLY	47	-
54-76368	CLAMP, WIRING HARNESS ATTACHING	27	23	851-5350A3	CYLINDER BLOCK AND CRANKCASE ASS"Y	39	6
77-829	NUT, STARTER SOLENOID TERMINAL (5/16")	29	40	851-5350A3	CYLINDER BLOCK AND CRANKCASE ASS"Y	43	1
79-73370A1	TACHOMETER ASSEMBLY	1	-	851-6297A3	CYLINDER BLOCK AND CRANKCASE ASS"Y	39	6
84-60466A1	GROUNG WIRE, COIL GROUND TO COIL COVER SCREW	23	24	851-6297A3	CYLINDER BLOCK AND CRANKCASE ASS"Y	43	1
84-61393A1	LEAD ASSEMBLY, RECTIFIER TO STARTER SOLENOID (4 7/8")	27	12	1024-3869	COVER,CYLINDER BLOCK	41	34
84-63086A2	WIRE ASSEMBLY, STOP SWITCH - MANUAL	51	29	1024-6137	COVER,CYLINDER BLOCK	41	34
84-63212A2	LEAD ASSEMBLY, SPARK PLUG (HIGH TENSION)	25	27	1151-4732A1	END CAP ASSEMBLY, UPPER	39	1
84-66297	WIRING HARNESS (INTERNAL)	27	22	1152-4966A1	END CAP ASSEMBLY,LOWER	41	21
84-73826	WIRING HARNESS (INTERNAL)	27	22	1368-5805A1	CARBURETOR ASSEMBLY	19	1
85-62453	BOOT, LEAD WIRE	27	13	1368-5805A1	CARBURETOR ASSEMBLY (SEE PAGE 7 FOR BREAKDOWN)	17	5
85-71006A1	PROTECTOR ASSEMBLY, SPARK PLUG	25	29	1395-4540	SCREW, BOD (IDLE TUBE)	19	21
				1395-4541	SCREW, PLUG - MAIN FUEL JET CHANNEL	19	29
				1395-4542	SCREW, PLUG - MAIN NOZZLE	19	27
				1395-4543	SCREW, BODY CHANNEL	19	32

# PARTS INDEX

Part Number	Description	Pg.	Ref. No.	Part Number	Description	Pg.	Ref. No.
1395-4804	SCREW, FLOAT BOWL COVER .....	19	14	1643-4931A6	GEAR HOUSING ASSEMBLY	69	1
1395-4805	SCREEN, FILTER .....	19	16	1643-4931A9	GEAR HOUSING ASSEMBLY, COMPLETE(SHORT SHAFT) .....	69	-
1395-4808	GASKET, PACKING SET (1 PER CARBURETOR) ....	21	--	1643-4931A9	GEAR HOUSING ASSEMBLY, COMPLETE(SHORT SHAFT) .....	63	-
1395-5353	FLOAT ASSEMBLY .....	19	2	1643-6038A17	GEAR HOUSING ASSEMBLY, COMPLETE(SHORT SHAFT) .....	63	-
1395-5680	COVER, FLOAT BOWL ....	19	10	1643-6038A17	GEAR HOUSING ASSEMBLY, COMPLETE(SHORT SHAFT) .....	63	-
1395-5733	JET, BOWL VENT .....	19	11	1643-6038A17	GEAR HOUSING ASSEMBLY, COMPLETE(SHORT SHAFT) .....	69	-
1395-5734	HOSE, ECONOMIZER .....	19	12	1643-6038A17	GEAR HOUSING ASSEMBLY, COMPLETE(SHORT SHAFT) .....	69	-
1395-5816	REPAIR PARTS KIT (1 PER CARBURETOR) .....	21	--	1643-6038A18	GEAR HOUSING ASSEMBLY, COMPLETE(LONG SHAFT) .....	63	-
1399-3519	JET MAIN FULE (.080) ....	19	28	1643-6038A18	GEAR HOUSING ASSEMBLY, COMPLETE(LONG SHAFT) .....	69	-
1399-3520	JET, MAIN (.0785) - STANDARD .....	19	28	1643-6038A18	GEAR HOUSING ASSEMBLY, COMPLETE(LONG SHAFT) .....	69	-
1399-3527	SHAFT, THROTTLE .....	19	19	1643-6038A18	GEAR HOUSING ASSEMBLY, COMPLETE(LONG SHAFT) .....	69	-
1399-3528	SHUTTER, THROTTLE ....	19	22	1643-6038A5	GEAR HOUSING ASSEMBLY, COMPLETE(SHORT SHAFT) .....	63	-
1399-3794	JET, MAIN FUEL (.074) ....	19	28	1643-6038A5	GEAR HOUSING ASSEMBLY, COMPLETE(SHORT SHAFT) .....	63	-
1399-3796	JET, MAIN FUEL (.076) ....	19	28	1643-6038A5	GEAR HOUSING ASSEMBLY, COMPLETE(SHORT SHAFT) .....	63	-
1399-5315	SCREW, IDLE ADJUSTMENT	19	25	1643-6038A5	GEAR HOUSING ASSEMBLY, COMPLETE(SHORT SHAFT) .....	63	-
1427-5611A1	CLAMP BRACKET ASSEMBLY .....	57	1	1643-6038A6	GEAR ASSEMBLY .....	63	1
1427-5611A2	CLAMP BRACKET ASSEMBLY .....	57	1	1643-6038A6	GEAR HOUSING ASSEMBLY	69	1
1480-5661A1	SWIVEL BRACKET ASSEMBLY(LONG SHAFT)	59	32	1643-6038A7	GEAR HOUSING ASSEMBLY, COMPLETE(LONG SHAFT)	63	-
1480-6094A1	SWIVEL BRACKET ASSEMBLY(LONG SHAFT)	59	32	1643-6038A7	GEAR HOUSING ASSEMBLY, COMPLETE(LONG SHAFT)	69	-
1481-5663A1	SWIVEL BRACKET ASSEMBLY(SHORT SHAFT) .....	59	32	2135-5683A3	COWL FRONT COVER ASSEMBLY .....	15	1
1481-6095A1	SWIVEL BRACKET ASSEMBLY(SHORT SHAFT) .....	59	32	2137-3878A6	WRAP AROUND COWL ASSEMBLY .....	15	10
1554-4892A3	DRIVE SHAFT HOUSING ASSEMBLY(SHORT SHAFT) .....	53	1	2138-4413A2	TOP COWL ASSEMBLY ....	3	1
1554-6350A2	DRIVE SHAFT HOUSING ASSEMBLY(SHORT SHAFT) .....	53	1	2138-6340A2	TOP COWL ASSEMBLY ....	3	1
1564-4893A3	DRIVE SHAFT HOUSING ASSEMBLY(LONG SHAFT)	53	1	2138-6341	TOP COWL ASSEMBLY ....	3	1
1564-6351A2	DRIVE SHAFT HOUSING ASSEMBLY (LONG SHAFT) .....	53	1	2139-5351A2	BOTTOM COWL .....	49	1
1643-4931A10	GEAR HOUSING ASSEMBLY, COMPLETE(LONG SHAFT)	69	-	2139-6424A1	BOTTOM COWL .....	49	1
1643-4931A10	GEAR HOUSING ASSEMBLY, COMPLETE(LONG SHAFT)	63	-	2140-4415	HOUSING, STARTER .....	11	33
1643-4931A29	GEAR HOUSING ASSEMBLY, COMPLETE(SHORT SHAFT) .....	63	-	2161-6347A1	COWL FRONT COVER ASSEMBLY .....	15	1
1643-4931A29	GEAR HOUSING ASSEMBLY, COMPLETE(SHORT SHAFT) .....	69	-				
1643-4931A30	GEAR HOUSING ASSEMBLY, COMPLETE (LONG SHAFT) .....	69	-				
1643-4931A30	GEAR HOUSING ASSEMBLY, COMPLETE(LONG SHAFT)	63	-				
1643-4931A6	GEAR HOUSING ASSEMBLY	63	1				