



PARTS CATALOG

228 ENGINE (G.M.)

SERIAL NUMBER

228 (4 BBL.) GM 305 V-8 1977-1978	4765100 THRU 5170008
228 MIE (4 BBL.) GM 305 V-8 1977-1978	4765100 THRU 5170008

TABLE OF CONTENTS:

CARBURETOR AND AUTOMATIC CHOKE	14
CARBURETOR ASSEMBLY, COMPLETE	18
CRANKSHAFT AND PISTONS	44
CYLINDER BLOCK AND CAMSHAFT	42
DISTRIBUTOR ASSEMBLY (MALLORY)	10
ENGINE MOUNTING	36
EXHAUST MANIFOLD AND EXHAUST ELBOW	22
FLYWHEEL HOUSING	88
FLYWHEEL HOUSING AND OIL COOLER	72
FUEL PUMP AND FUEL FILTER	12
INTAKE MANIFOLD	48
OIL PAN AND OIL PUMP	52
PARTS INDEX	90
POWER STEERING COMPONENTS	54
REMOTE OIL FILTER	74
REVERSE LOCK VALVE AND SHIFT ACTUATOR (MCM 228 TR)	68
ROCKER COVER AND CYLINDER HEAD	40
SHIFT ACTUATOR ASSEMBLY (MCM 228 TR)	70
SHIFT BRACKET AND REVERSE LOCK VALVE	56
STARTER MOTOR AND ALTERNATOR	2
THERMOSTAT HOUSING, COVER AND EXHAUST ELBOW	26
TRANSMISSION AND ENGINE MOUNTING (INBOARD)	80
TRANSMISSION AND ENGINE MOUNTING (V-DRIVE)	86
TRANSMISSION AND RELATED PARTS (INBOARD)	76
TRANSMISSION AND RELATED PARTS (V-DRIVE)	82
TRANSMISSION ASSEMBLY (STERN DRIVE) PAGE 1	60
TRANSMISSION ASSEMBLY (STERN DRIVE) PAGE 2	64
WATER DISTRIBUTION HOSES	38
WATER PUMP ASSEMBLY (MCM 228 TR)	28
WATER PUMP ASSEMBLY (MIE 228)	32
WATER PUMP ASSEMBLY (MIE)	34
WIRING HARNESS, CIRCUIT BREAKER AND STARTER SOLENOID	6

NOTE: Indented description indicate that these parts are included in preceeding assembly.

AR = As Required

NSS = Not Sold Separate

OPT = Optional

NS = Not Shown

THESE PARTS BOOKS/FICHE CARD ARE COPYRIGHTED AND MAY NOT BE DISTRIBUTED OR REPRODUCED IN ANY OTHER FORMAT BY ANYONE OTHER THAN MERCURY MARINE WITHOUT THE PRIOR WRITTEN CONSENT OF MERCURY MARINE.

REPLACEMENT PARTS ! WARNING !

Electrical, ignition and fuel system components on MerCruiser Engines and Stern Drives are designed and manufactured to comply with U.S. Coast Guard Rules and Regulations to minimize risks of fire or explosion. Use of replacement electrical, ignition or fuel system components, which do not comply to these rules and regulations, could result in a fire or explosion hazard and should be voided.

When servicing the electrical, ignition and fuel systems, it is extremely important that all components are properly installed and tightened. If not, any electrical or ignition component opening would permit sparks to ignite fuel vapors from fuel system leaks, if they existed.

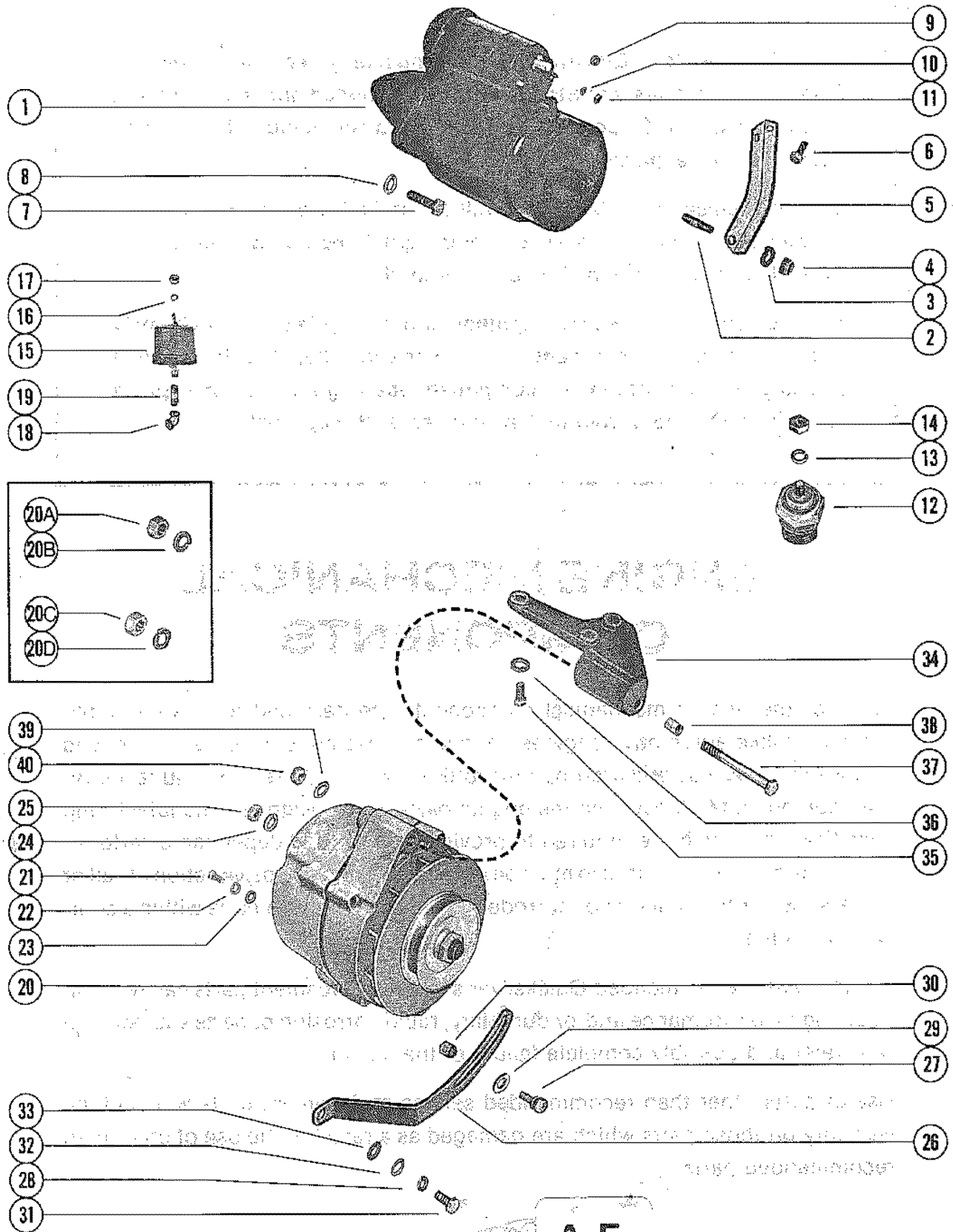
ENGINE MECHANICAL COMPONENTS

Many of the engine mechanical components are designed for marine applications. Unlike automotive engines, marine engines are subjected to extended periods of heavy load and wide- open-throttle operation, therefore, require heavy-duty components. Special marine engine parts have design and manufacturing specifications, which are required to provide long life and dependable performance. Marine engine parts also must be able to resist the corrosive action of salt or brackish water that will rust or corrode standard automotive parts within a short period of time.

Failure to use recommended Mercury Precision Parts OR Quicksilver service replacement parts can result in poor engine performance and/or durability, rapid corrosion of parts subjected to salt water and possibly complete failure of the engine.

Use of parts other than recommended service replacement parts will void the warranty on those parts which are damaged as a result of the use of other than recommended parts.

STARTER MOTOR AND ALTERNATOR

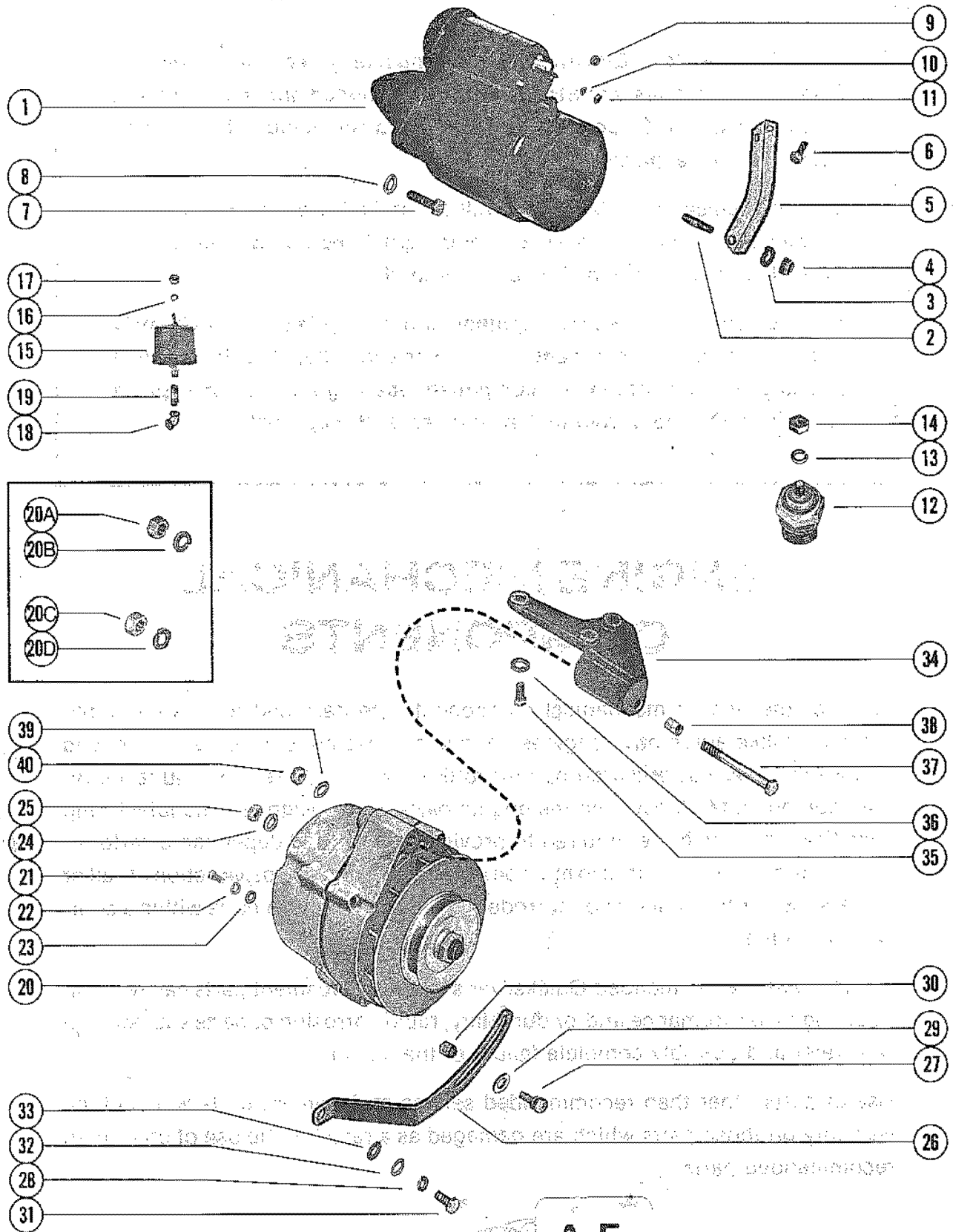


STARTER MOTOR AND ALTERNATOR

REF. NO.	PART NO.	SYM.	QTY.	DESCRIPTION
1	50-79822A2		1	STARTER MOTOR ASS'Y (DELCO REMY #1108755)
	50-76965A1		1	STARTER MOTOR ASS'Y (DELCO REMY #1109485) STANDARD ROTATION MIE 228
	50-79604A1		1	STARTER MOTOR ASS'Y (DELCO REMY #1109484) OPPOSITE ROTATION MIE 228
2	16-52387		1	STUD, STARTER MOTOR STUD MCM 228 AND MCM 228 TR
3	12-29245		1	WASHER, STARTER MOTOR STUD MCM 228 AND MCM 228 TR
4	11-29031		1	STARTER MOTOR STUD MCM 228 AND MCM 228 TR
5	35363		1	BRACE, STARTER MOTOR MCM 228 AND MCM 228 TR
6	10-35765		1	SCREW, BRACE TO ENGINE (5/8") MCM 228 AND MCM 228 TR
7	10-34545		1	SCREW, STARTER MOTOR TO CYLINDER BLOCK (4 21/32") MCM 228 AND MCM 228 TR
	10-34544		1	SCREW, STARTER MOTOR TO CYLINDER BLOCK (1 15/16") MCM 228 AND MCM 228 TR
	10-47462		2	SCREW, STARTER MOTOR TO CYLINDER BLOCK (1 1/4") MIE 228
8	13-32993		1	LOCKWASHER, STARTER MOTOR SCREW MIE 228
9	11-32219		1	NUT, STARTER TERMINAL (3/8")
10	13-26995		2	LOCKWASHER, STARTER TERMINAL (#8)
11	11-26419		2	NUT, STARTER TERMINAL (#8)
12	34625		1	WATER TEMPERATURE SENDER ASSEMBLY
13	13-26996		1	LOCKWASHER, WATER TEMPERATURE SENDER TERMINAL (#10)
14	11-20645		1	NUT, WATER TEMPERATURE SENDER TERMINAL (#10)
15	34623		1	OIL PRESSURE SENDER ASSEMBLY
16	13-26996		1	LOCKWASHER, OIL PRESSURE SENDER TERMINAL (#10)
17	11-20645		1	NUT, OIL PRESSURE SENDER TERMINAL (#10)
18	22-46932		1	ELBOW, OIL PRESSURE SENDER
19	22-73676		1	NIPPLE, OIL PRESSURE SENDER
20	69729		1	ALTERNATOR ASSEMBLY (DELCO REMY #1102496) SERIAL 00000000-04929029
21	10-20055		1	SCREW, GROUND CABLE TO ALTERNATOR SERIAL 00000000-04929029
22	13-26996		1	LOCKWASHER, GROUND CABLE SCREW SERIAL 00000000-04929029
23	12-30164		1	WASHER, GROUND CABLE SCREW SERIAL 00000000-04929029
24	13-26991		1	LOCKWASHER, ALTERNATOR TERMINAL SERIAL 00000000-04929029
25	11-68531		1	NUT, ALTERNATOR TERMINAL SERIAL 00000000-04929029
20	78403A1		1	ALTERNATOR ASSEMBLY (MOTOROLA #8MR2023F SERIAL 04765100-09999999
20A	11-30968		1	NUT, GROUND CABLE TO ALTERNATOR ATTACHING SERIAL 04765100-09999999

CONTINUED ON NEXT PAGE ➡

STARTER MOTOR AND ALTERNATOR

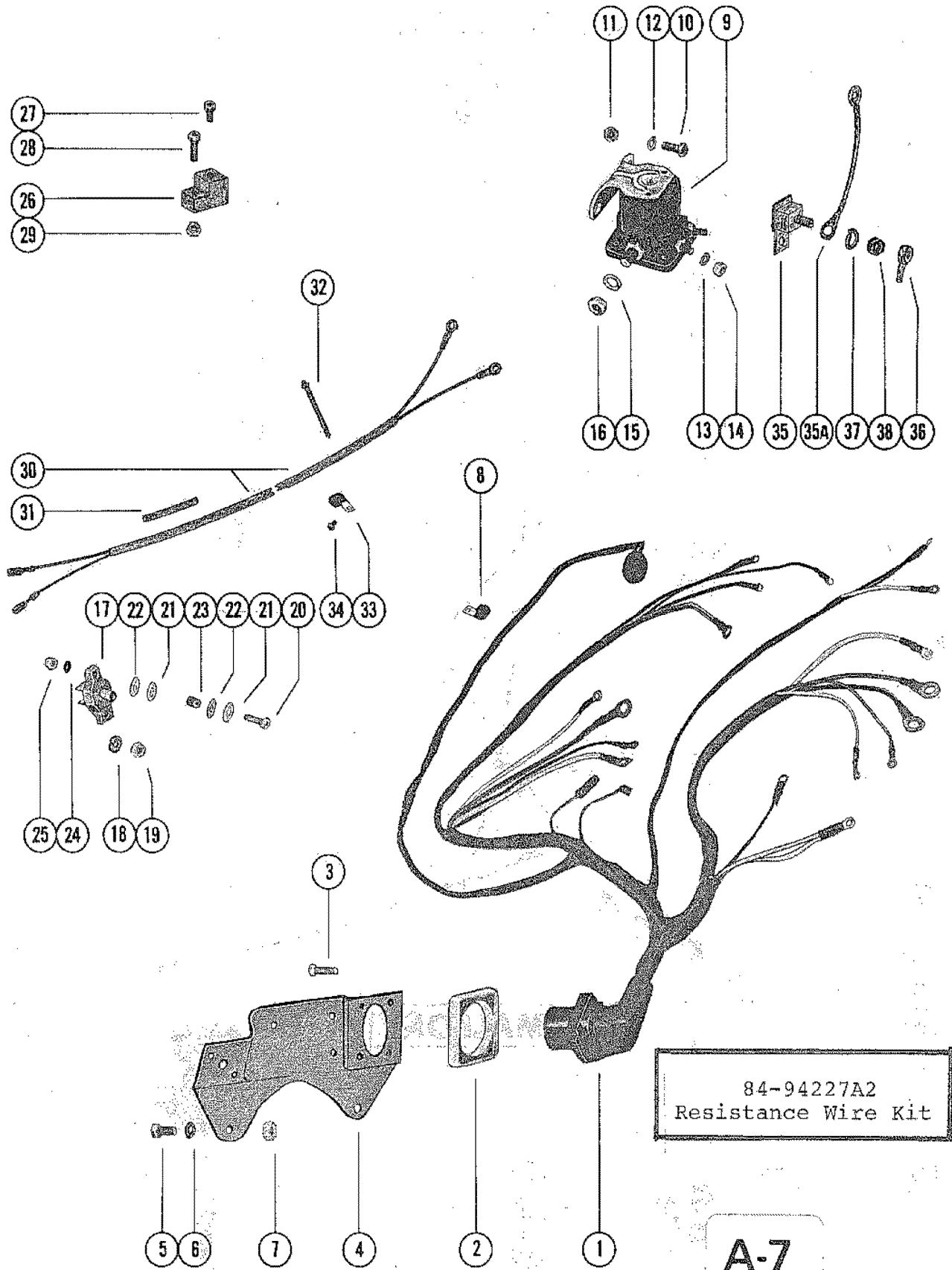


A-5

STARTER MOTOR AND ALTERNATOR

REF. NO.	PART NO.	SYM.	QTY.	DESCRIPTION
20B	13-26996		1	LOCKWASHER, GROUND CABLE ATTACHING NUT SERIAL 04765100-09999999
20C	11-20890		1	NUT, ALTERNATOR TERMINAL SERIAL 04765100-09999999
20D	13-26992		1	LOCKWASHER, ALTERNATOR TERMINAL NUT SERIAL 04765100-09999999
26	85013		1	BRACE, ALTERNATOR ADJUSTING
27	10-74824		1	SCREW, ALTERNATOR BRACE TO ALTERNATOR (1 1/4")-MCM 228 TR
	10-29198		1	SCREW, ALTERNATOR BRACE TO ALTERNATOR(7/8")MCM 228 TR MIE228
28	13-39107		1	LOCKWASHER, ALTERNATOR BRACE SCREW (MCM 228 TR)
29	12-26168		1	WASHER, ALTERNATOR BRACE SCREW
30	23-36534		1	SPACER, ALTERNATOR BRACE SCREW (MCM 229 TR)
31	10-27165		1	SCREW, ALTERNATOR BRACE TO CYLINDER BLOCK (3/4") MCM 228 TR AND MIE 228
32	13-35048		1	LOCKWASHER, ALTERNATOR MCM 228 TR AND MIE 228
33	12-20553		1	WASHER, ALTERNATOR BRACE SCREW MCM 228 TR AND MIE 228
34	48104		1	BRACKET, ALTERNATOR MOUNTING
35	10-76926		3	SCREW, ALTERNATOR BRACKET TO EXHAUST MANIFOLD (7/8")
36	13-35048		3	LOCKWASHER, ALTERNATOR BRACKET SCREW
37	10-48308		1	SCREW, ALTERNATOR TO ALTERNATOR BRACKET (3 3/4")
38	23-33186		1	BUSHING, ALTERNATOR TO BRACKET SCREW
39	12-20553		2	WASHER, ALTERNATOR BRACKET SCREW
40	11-23161		1	NUT, ALTERNATOR BRACKET SCREW

WIRING HARNESS, CIRCUIT BREAKER AND STARTER SOLENOID

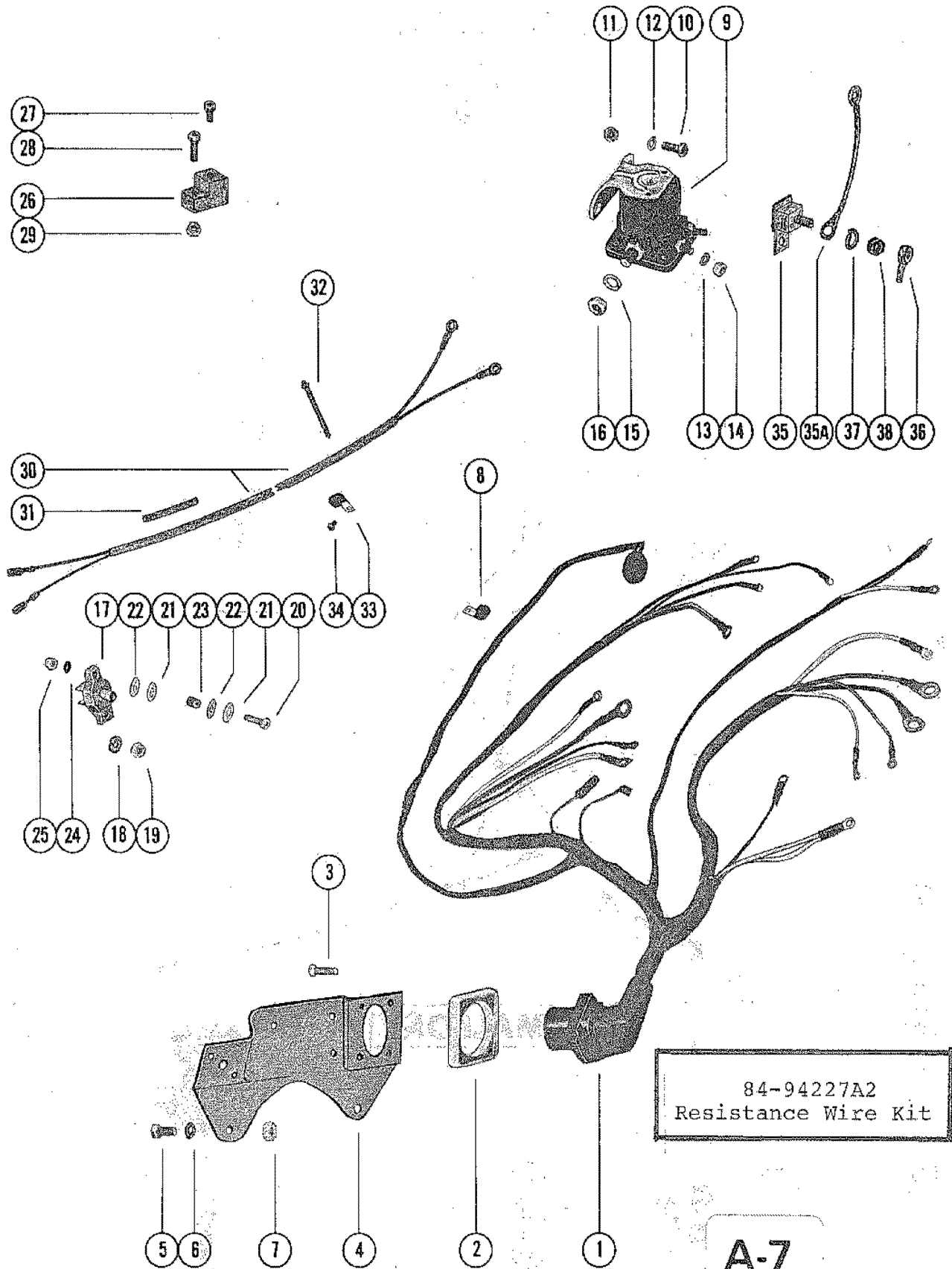


WIRING HARNESS, CIRCUIT BREAKER AND STARTER SOLENOID

REF. NO.	PART NO.	SYM.	QTY.	DESCRIPTION
1	84-77441		1	WIRING HARNESS (MCM 228)
	84-70959		1	WIRING HARNESS (MCM 229 TR AND MIE 228)
2	26079		1	PLATE, WIRING HARNESS TO MOUNTING BRACKET
3	10-46718		4	SCREW, WIRING HARNESS PLATE TO MOUNTING BRACKET (3/4")
4	77440		1	BRACKET, MOUNTING MCM 228
5	10-34354		2	SCREW, MOUNTING BRACKET ATTACHING (1 1/2") MCM 228
4	64709		1	BRACKET MOUNTING MCM 228 TR AND MIE 228
5	10-52498		2	SCREW, MOUNTING BRACKET ATTACHING (1 1/4") MCM 228 TR AND MIE 228
6	13-35048		2	LOCKWASHER, MOUNTING BRACKET SCREW MCM 228 TR AND MIE 228
7	11-20696		2	NUT< MOUNTING BRACKET SCREW MCM 228 TR AND MIE 228
8	64884		1	TAB, WIRING HARNESS
9	89-76416A1		1	STARTER SOLENOID MCM 228
10	10-69028		2	SCREW, STARTER SOLENOID TO BRACKET (3/4") MCM 228
11	11-20361		2	NUT, STARTER SOLENOID SCREW MCM 228
9	89-76416A1		1	STARTER SOLENOID MCM 228 TR AND MIE 228
10	10-28063		2	SCREW, STARTER SOLENOID TO BRACKET (5/8") MCM 228 TR AND MIE 228
12	13-26992		2	LOCKWASHER, STARTER SOLENOID SCREW MCM 228 TR AND MIE 228
13	13-26996		2	LOCKWASHER, STARTER SOLENOID TERMINAL (#10)
14	11-68219		2	NUT, STARTER SOLENOID TERMINAL (10-32)
15	13-26993		2	LOCKWASHER, STARTER SOLENOID TERMINAL (5/16")
16	11-68292		2	NUT, STARTER SOLENOID TERMINAL (5/16")
17	88-78813		1	CIRCUIT BRADKER (40 AMP) SERIAL 00000000-04929029
18	13-26996		2	LOCKWASHER, CIRCUIT BREAKER TERMINAL SERIAL 00000000-04929029
19	11-20645		2	NUT, CIRCUIT BREAKER TERMINAL SERIAL 00000000-04929029
17	88-78813		1	CIRCUIT BREAKER (50 AMP) SERIAL 04929030-09999999
18	12-30164		1	WASHER, CIRCUIT BREAKER TERMINAL SERIAL 04929030-09999999
19	11-46438		1	NUT, CIRCUIT BREAKER TERMINAL SERIAL 04929030-09999999
20	10-24637		2	SCREW, CIRCUIT BREAKER TO BRACKET (7/8")-MCM 228
	10-47618		2	SCREW, CIRCUIT BREAKER TO BRACKET (1") MCM 228 TR AND MIE 228
21	25-61999		4	GROMMET, CIRCUIT BREAKER SCREW MCM 228 TR AND MIE 228
22	12-47960		4	WASHER, CORCIOT BREALER SCREW MCM 228 TR AND MIE 228
23	23-61998		2	SPACER, CIRCUIT BREAKER GROMMET MCM 228 TR AND MIE 228
24	12-30164		2	WASHER, CIRCUIT BREAKER SCREW

CONTINUED ON NEXT PAGE ➡

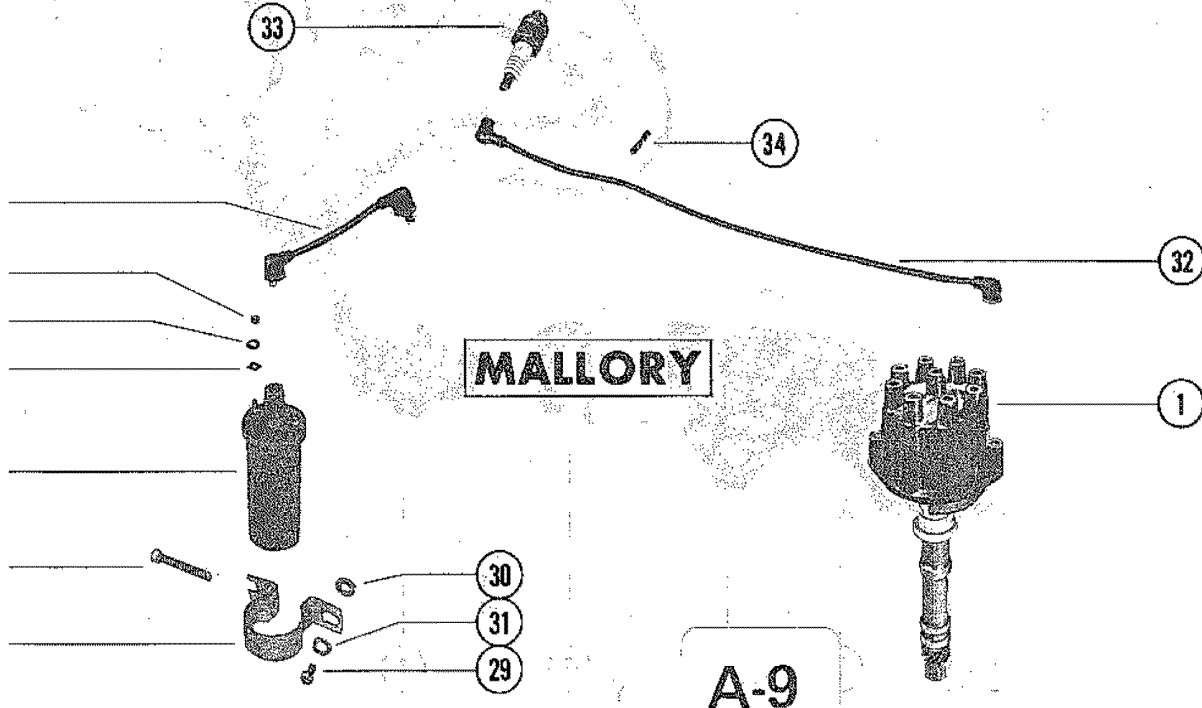
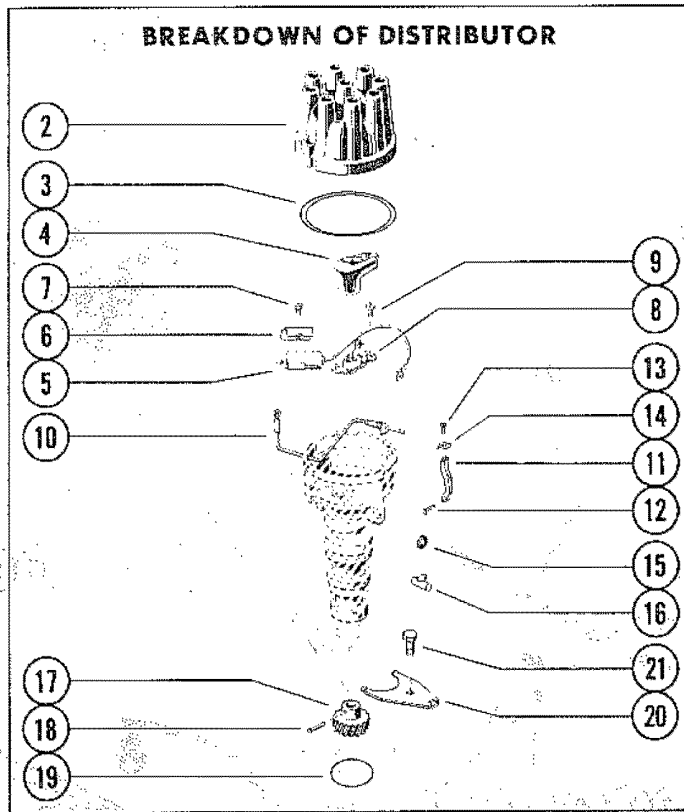
WIRING HARNESS, CIRCUIT BREAKER AND STARTER SOLENOID



WIRING HARNESS, CIRCUIT BREAKER AND STARTER SOLENOID

REF. NO.	PART NO.	SYM.	QTY.	DESCRIPTION
25	11-46438		2	NUT, CIRCUIT BREAKER SCREW
26	45915		1	TERMINAL BLOCK, ROTARY TRIM SENDER MCM 228
27	10-62568		2	SCREW, ROTARTY TRIM SENDER LEADS MCM 228
28	10-29240		1	SCREW, TERMINAL BLOCK (5/8") MCM 228
29	11-46438		1	NUT, TERMINAL BLOCK SCREW MCM 228
30	84-78581A2		1	WIRING HARNESS, ALTERNATOR (MCM 228) SERIAL 04929030-09999999
	84-78581A3		1	WIRING HARNESS, ALTERNATOR (MCM 228 TR AND MIE 228) SERIAL 04929030-09999999
31	57908--2		2	SLEEVE, WIRING HARNESS SERIAL 04929030-09999999
32	61990		3	STA-STRAP, WIRING HARNESS SERIAL 04929030-09999999
33	54-78945		1	"J" CLIP, IGNITION LEADS SERIAL 04929030-09999999
	54-78944		1	"J" CLIP, MAIN HARNESS LEADS SERIAL 04929030-09999999
	54-54178		1	"J" CLIP, TEMPERATURE SENDER LEADS SERIAL 04929030-09999999
34	10-25703		1	SCREW, "J" CLIP ATTACHING (1/2") SERIAL 04929030-09999999
35	88-79023A55		1	FUSE ASSEMBLY, 55 AMP SERIAL 04929030-05064352
	88-79023A90		1	FUSE ASSEMBLY, 90 AMP SERIAL 04929030-09999999
35A	84-79139A3		1	JUMPER WIRE, 90 AMP FUSE TO CIRCUIT BREAKER (MCM 228) SERIAL 04929030-09999999
	84-79139A7		1	JUMPER WIRE, 90 AMP FUSE TO CIRCUIT BREAKER (MIE 228) SERIAL 04929030-09999999
36	85-79695		1	BOOT, INSULATOR - FUSE SERIAL 04929030-09999999
37	13-24669		1	LOCKWASHER, FUSE STUD NUT SERIAL 04929030-09999999
38	11-21825		1	NUT, FUSE STUD SERIAL 04929030-09999999

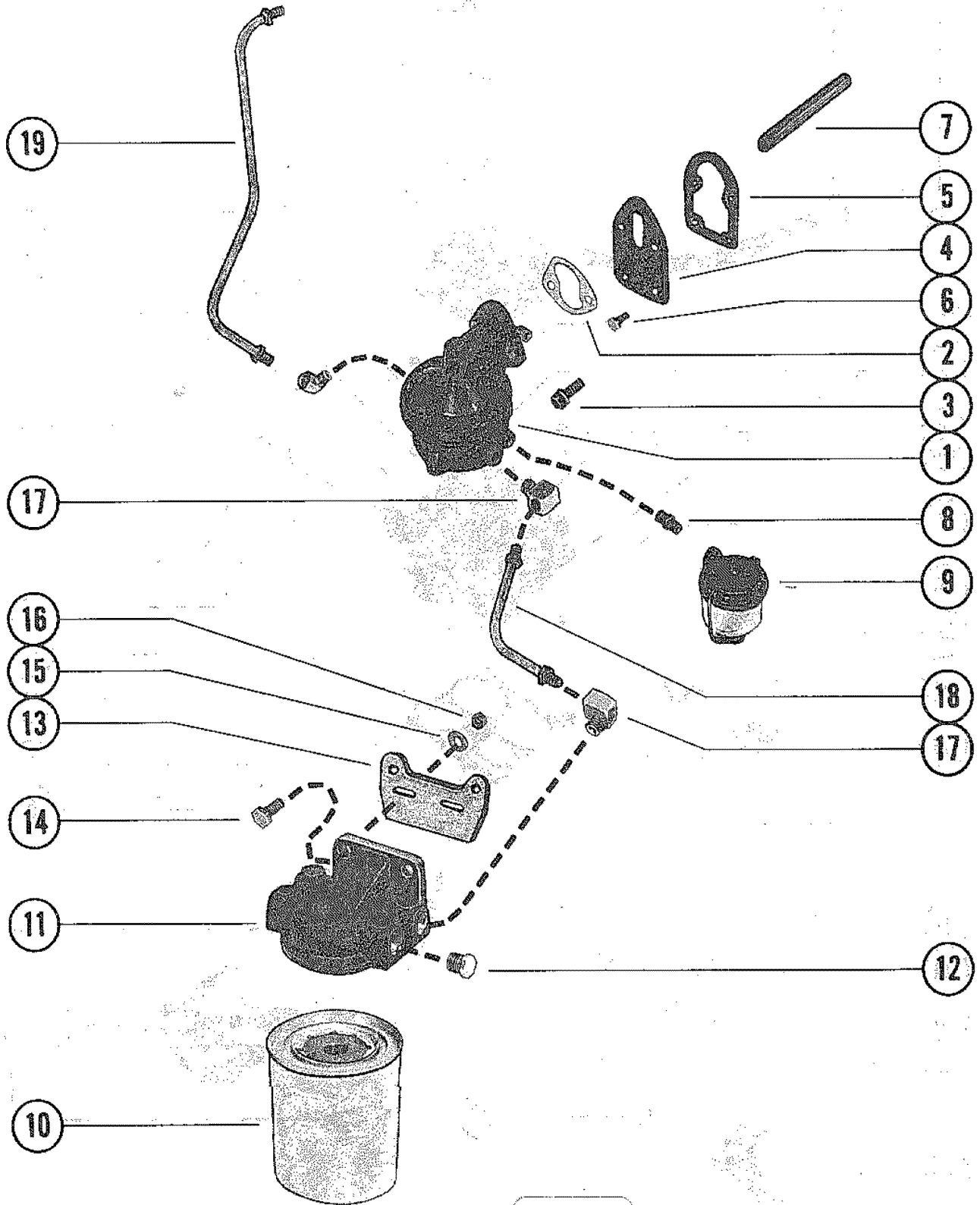
DISTRIBUTOR ASSEMBLY (MALLORY)



DISTRIBUTOR ASSEMBLY (MALLORY)

REF. NO.	PART NO.	SYM.	QTY.	DESCRIPTION
1	74905A3		1	DISTRIBUTOR ASSEMBLY, COMPLETE
2	391-5075		1	CAP, DISTRIBUTOR
3	391-5076		1	GASKET, DISTRIBUTOR CAP
4	391-7057		1	ROTOR
5	391-5092		1	CONDENSER
6	391-5093		1	BRACKET, CONDENSER ATTACHING
7	391-5091		1	SCREW, CONDENSER BRACKET ATTACHING
8	391-5090		1	BREAKER ASSEMBLY
9	391-5089		1	SCREW, BREAKER ATTACHING
10	84-65773A6		1	LEAD ASSEMBLY, PRIMARY TERMINAL
11	391-5085		2	CLAMP, DISTRIBUTOR CAP ATTACHING
12	391-5084		2	PIN CLAMP TO DISTRIBUTOR
13	391-5087		2	SCREW, DISTRIBUTOR CAP ATTACHING
14	391-5086		2	WASHER, DISTRIBUTOR CAP SCREW
15	391-5083		2	VENT, SCREEN
16	391-5080		1	OILER
17	391-6390		1	GEAR, DRIVE
18	391-6391		1	PIN, DRIVE GEAR
19	27-52184		1	GASLET, DISTRIBUTOR
20	52185		1	CLAMP, DISTRIBUTOR TO INTAKE MANIFOLD
21	10-54528		1	SCREW, DISTRIBUTOR CLAMP ATTACHING (7/8")
22	84-75901		1	LEAD ASSEMBLY, DISTRIBUTOR TO COIL (5")
23	32193		1	COIL, IGNITION
24	77294		1	BRACKET, IGNITION COIL MOUNTING
25	10-66652		1	SCREW, BRACKET TO IGNITION COIL (1 1/2")
26	12-30164		2	WASHER, IGNITION COIL TERMINAL
27	13-26996		2	LOCKWASHER, IGNITION COIL TERMINAL
28	11-68219		2	NUT, IGNITION COIL TERMINAL
29	10-25299		2	SCREW, IGNITION COIL ATTACHING (3/4")
30	12-20084		2	WASHER, IGNITION COIL ATTACHING SCREW
31	13-26993		2	LOCKWASHER, IGNITION COIL ATTACHING SCREW
32	84-67957--5		1	LEAD ASSEMBLY, HIGH TENSION (38 1/2")
	84-67957--8		1	LEAD ASSEMBLY, HIGH TENSION (37")
	84-67957--4		1	LEAD ASSEMBLY, HIGH TENSION (34")
	84-67957--1		1	LEAD ASSEMBLY, HIGH TENSION (31")
	84-67957--7		2	LEAD ASSEMBLY, HIGH TENSION (29 1/2")
	84-67957--7		1	LEAD ASSEMBLY, HIGH TENSION (24")
	84-67957-11		1	LEAD ASSEMBLY, HIGH TENSION (42")
33	33-59571		8	SPARK PLUG (AC#MR43T)
34	54676		2	RETAINER, HIGH TENSION LEADS (2 WIRE)
	32783		2	RETAINER, HIGH TENSION LEADS (3 WIRE)
	32784		2	RETAINER, HIGH TENSION LEADS (4 WIRE)

FUEL PUMP AND FUEL FILTER

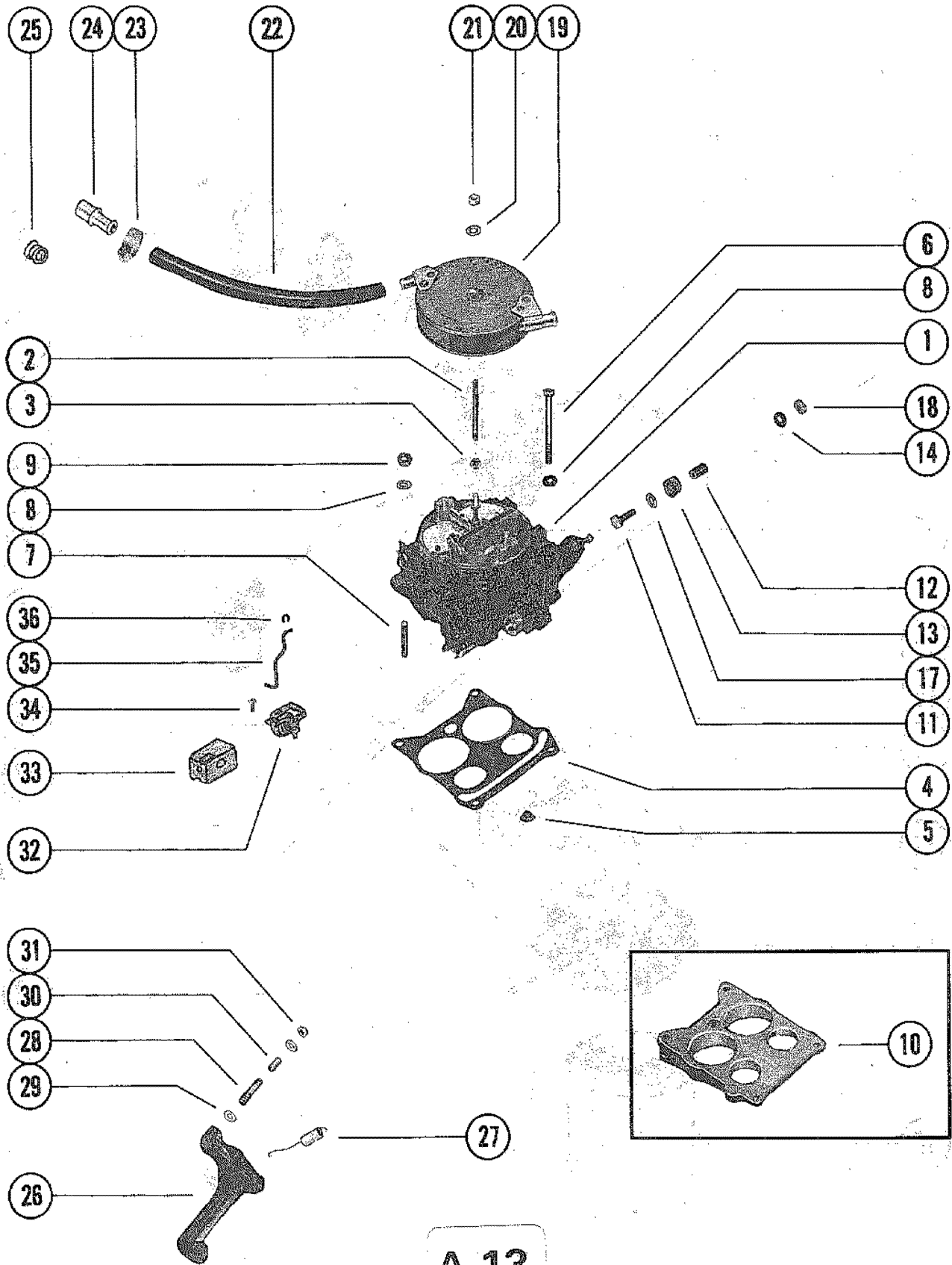


A-11

FUEL PUMP AND FUEL FILTER

REF. NO.	PART NO.	SYM.	QTY.	DESCRIPTION
1	86246		1	FULE PUMP ASSEMBLY
2	27-34213		1	GASKET, FUEL PUMP TO CYLINDER BLOCK
3	10-35374		2	SCREW, FUEL PUMP TO MOUNTING PLATE (1 1/8")
4	35373		1	PLATE, FUEL PUMP MOUNTING
5	27-34898		1	GASKET, FUEL PUMP MOUNTING PLATE
6	10-34277		2	SCREW, FUEL PUMP MOUNTING PLATE
7	35377		1	ROD, PUSH - FUEL PUMP
8	22-32876		1	NIPPLE, SIGHT GLASS TO FUEL PUMP
9	47816		1	SIGHT GLASS
10	35-60494		1	FUEL FILTER
11	55481		1	BASE, FUEL FILTER
12	22-36382		1	PLUG, PIPE - FUEL FILTER
	22-20025		1	PLUG, PIPE - FUEL FILTER (SLOTTED)
13	77453		1	BRACKET, MOUNTING - FUEL FILTER
14	10-26066		2	SCREW, FUEL FILTER TO MOUNTING BRACKET (1 1/4")
15	12-20084		2	WASHER, FUEL FILTER SCREW
16	11-35814		2	NUT, FUEL FILTER SCREW
17	22-33821		3	ELBOW, FUEL LINE TO FUEL PUMP AND FUEL FILTER
18	32-71325		1	FUEL LINE, FUEL FILTER TO FUEL PUMP (STEEL TUBING)
19	32-71326		1	FUEL LINE, FUEL PUMP TO CARBURETOR
	32-62874		1	FUEL LINE, FUEL PUMP TO CARBURETOR (V-DRIVE ONLY)

CARBURETOR AND AUTOMATIC CHOKE



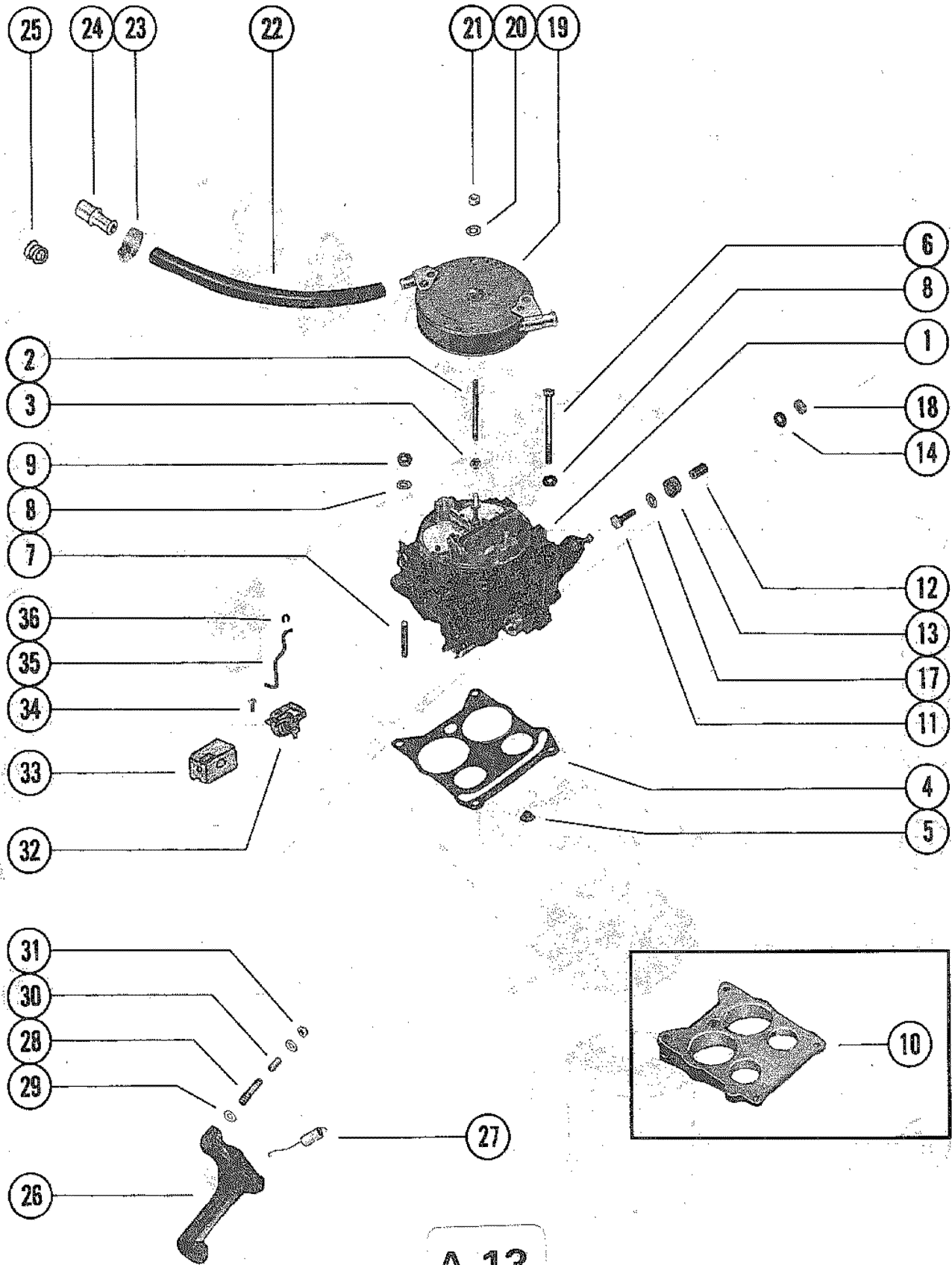
A-13

CARBURETOR AND AUTOMATIC CHOKE

REF. NO.	PART NO.	SYM.	QTY.	DESCRIPTION
1	1347-7361A1		1	CARBURETOR ASSEMBLY (MCM 228)
	1347-7364A1		1	CARBURETOR ASSEMBLY (MCM 228 TR ADN MIE 228)
2	16-33213		1	STUD, FLAME ARRESTOR MOUNTING - CARBURETOR
3	11-28941		1	NUT, JAM - FLAME ARRESTOR
4	27-52457		1	GASKET, CARBURETOR (QUAN. OF 2 PER INBOARDS)
5	22-48358		1	PLUG, INTAKE MANIFOLD VACUUM HOLE
6	10-28701		2	SCREW, CARBURETOR MOUNTING (1 9/32") MCM 228 AND MCM 228 TR
7	16-46857		2	STUD, CARBURETOR MOUNTING (1 7/8") MCM 228 AND MCM 228 TR
8	12-20084		4	WASHER, CARBURETOR MOUNTING STUD AND SCREW MCM 228 AND MCM 228 TR
9	11-46793		2	NUT, CARBURETOR MOUNTING STUD MCM 228 AND MCM 228 TR
7	16-63332		2	STUD, CARBURETOR MOUNTING (1 9/32") MIE 228
	16-53724		2	STUD, CARBURETOR MOUNTING (1 3/4") MIE 228
	16-53722		2	STUD, CARBURETOR MOUNTING (4 3/8") MIE 228
8	12-20084		6	WASHER, CARBURETOR STUDS MIE 228
9	11-46793		6	NUT, CARBURETOR STUDS MIE 228
10	53513		1	WEDGE, CARBURETOR MIE 228
11	10-22958		1	SCREW, THROTTLE CABEL TO CARBURETOR (1 1/8")
12	23-57938		1	BUSHING, THROTTLE CABLE SCREW
13	23-34948		1	BUSHING, THROTTLE LEVER
14	12-56681		1	WASHER, THROTTLE CABLE SCREW
17	12-20128		1	WASHER, THROTTLE CABLE SCREW
18	11-20190		1	NUT, THROTTLE CABLE SCREW
19	79565		1	FALME ARRESTOR, CARBURETOR
20	12-22937		1	WASHER, FLAME ARRESTOR STUD (METAL)
	12-86400		1	WASHER, FLAME ARRESTOR STUD (RUBBERIZED)
21	11-20586		1	NUT, FLAME ARRESTOR STUD
22	32-47996		2	HOSE, VENT - CARBURETOR (12 1/2")
23	54-53101		4	CLAMP, VENT HOSE ATTACHING
24	47957		2	CONNECTOR, VENT HOSE TO ROCKER COVER
25	25-52188		2	GROMMET, ROCKER COVER TO VENT HOSE CONNECTOR
26	77580		1	BRACKET, MOUNTING - THROTTLE CABLE (MCM 228)
	47502		1	BRACKET, MOUNTING - THROTTLE CABLE (MCM 228 TR)
	49929		1	BRACKET, MOUNTING - THROTTLE CABLE (MIE 228)
27	24-32817		1	SPRING, THROTTLE RETURN
28	16-35897		1	STUD, THROTTLE CABLE TO MOUNTING BRACKET (1 11/16")
29	12-21631		2	WASHER, THROTTLE CABLE STUD
30	23-31866		1	SPACER, THROTTLE CABLE STUD
31	11-20586		1	NUT, THROTTLE CABLE STUD
32	72625		1	CHOKE, AUTOMATIC - CARBURETOR
36	66198		1	COVER, AUTOMATIC CHOKE

CONTINUED ON NEXT PAGE ➡

CARBURETOR AND AUTOMATIC CHOKE

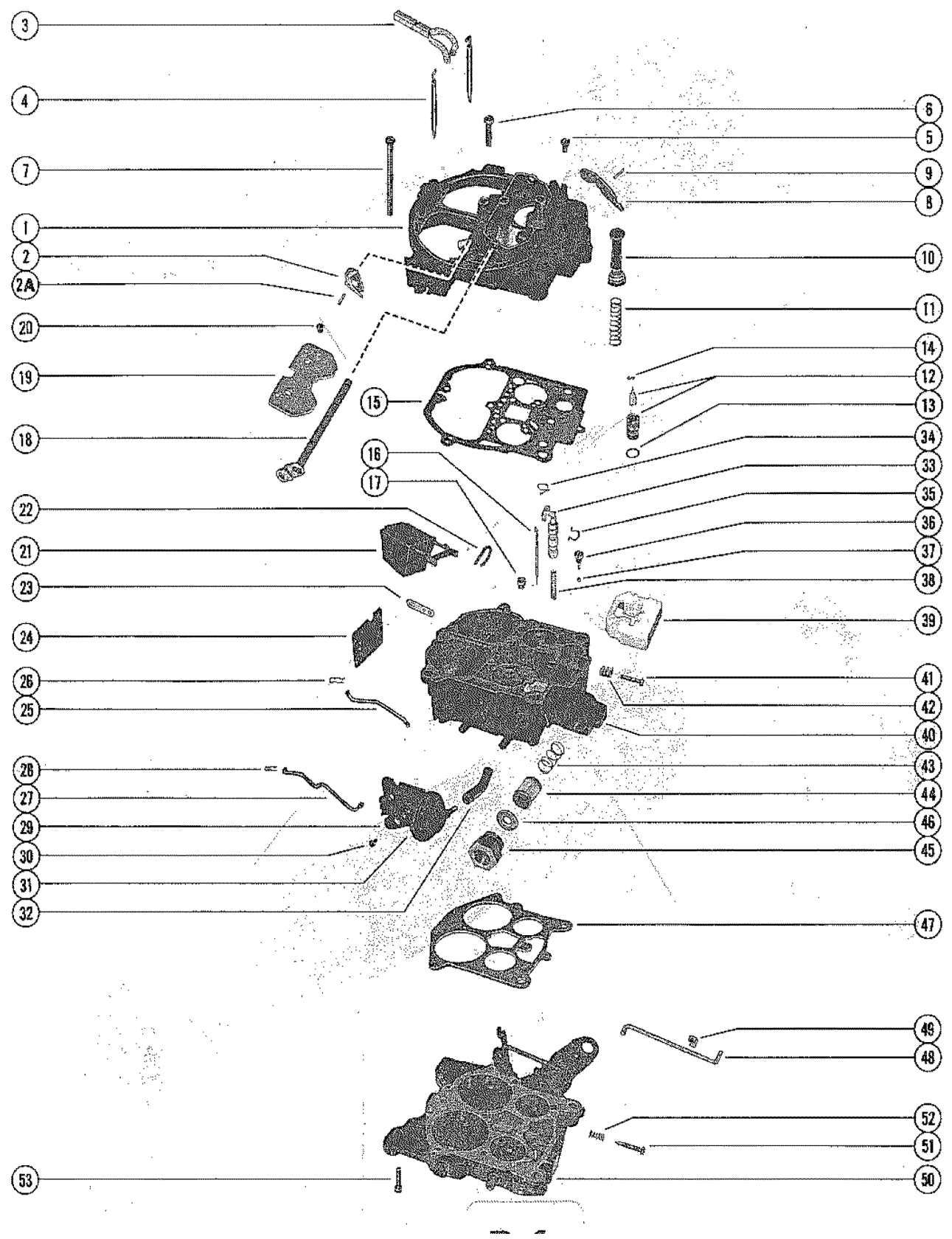


A-13

CARBURETOR AND AUTOMATIC CHOKE

REF. NO.	PART NO.	SYM.	QTY.	DESCRIPTION
34	10-59994		1	SCREW, AUTOMATIC CHOKE THERMOSTAT (5/8")
35	61112		1	ROD, AUTOMATIC CHOKE MCM 228 AND MCM 228 TR
36	54-59989		1	CLIP, AUTOMATIC CHOKE ROD MCM 228 AND MCM 228 TR
35	60915		1	ROD, AUTOMATIC CHOKE MIE 228
36	54-48376		1	CLIP, AUTOMATIC CHOKE ROD MIE 228

CARBURETOR ASSEMBLY, COMPLETE

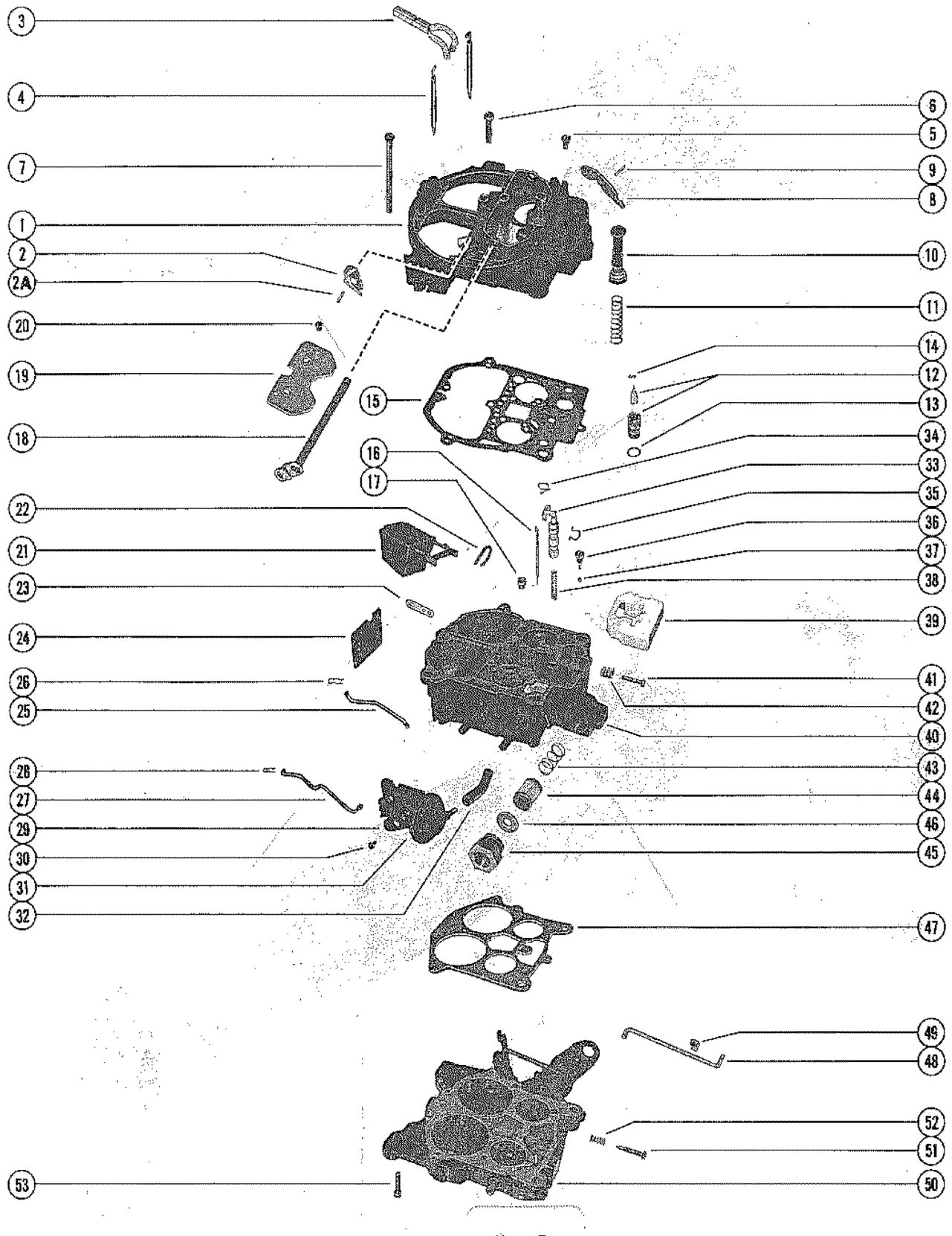


CARBURETOR ASSEMBLY, COMPLETE

REF. NO.	PART NO.	SYM.	QTY.	DESCRIPTION
-	1347-7361A1		1	CARBURETOR ASSEMBLY, COMPLETE (MCM 228)
-	1347-7364A1		1	CARBURETOR ASSEMBLY, COMPLETE (MCM 228 TR AND MIE 228)
1	N.S.S.		1	AIR HORN ASSEMBLY
2	N.S.S.		1	LEVER, AIR VALVE LOCKOUT (ROCHESTER #7048169)
2A			1	ROLL PIN, LOCKOUT LEVER
3	N.S.S.		1	HOLDER KIT, SECONDARY METERING ROD (ROCHESTER #7034522)
4	N.S.S.		2	METERING ROD, SECONDARY (MCM 228)-ROCHESTER #0748092)
	N.S.S.		2	METERING ROD, SECONDARY (MCM 228 TR AND MIE 228) ROCHESTER #17053531
5	N.S.S.		2	SCREW, AIR HORN TO FLOAT BOWL (3/9")-ROCHESTER #7031105
6	N.S.S.		5	SCREW, AIR HORN TO FLOAT BOWL (1")-ROCHESTER #7014699
7	N.S.S.		2	SCREW, AIR HORN TO FLOAT BOWL (3")-ROCHESTER #7029912
8	N.S.S.		1	LEVER, ACTUATING-PUMP (ROCHESTER #7048169)
9			1	ROLL PIN, HINGE - PUMP LEVER
10			1	PUMP ASSEMBLY
11			1	SPRING, PUMP RETURN
12			1	NEEDLE AND SEAT ASSEMBLY
13			1	GASKET, NEEDLE AND SEAT
14			1	PULL CLIP, FLOAT NEEDLE
15			1	GASKET, AIR HORN
16			2	METERING ROD, PRIMARY
17			2	JET, PRIMARY
18	N.S.S.		1	CHOKE SHAFT AND LEVER ASSEMBLY (ROCHESTER #17053531)
19	N.S.S.		1	VALVE, CHOKE - CHOKE SHAFT (ROCHESTER #7036021)
20	N.S.S.		2	SCREW, CHOKE VALVE TO CHOKE SHAFT (ROCHESTER #7029866)
21	1397-3327		1	FLOAT ASSEMBLY
22	17-48140		1	PIN HINGE - FLOAT
23	N.S.S.		1	LEVER, INTERMEDIATE CHOKE (ROCHESTER #7031231)
24	N.S.S.		1	BAFFLE, FLOAT BOWL (ROCHESTER #7031365)
25	N.S.S.		1	ROD, CHOKE (ROCHESTER #7031394)
26			1	CLIP, CHOKE ROD
27	N.S.S.		1	ROD, VACUUM CONTROL (ROCHESTER #7038167)
28			1	CLIP, VACUUM CONTROL ROD
29	N.S.S.		1	BRACKET ASSEMBLY, VACUUM CONTROL
30	N.S.S.		2	SCREW, VACUUM CONTROL BRACKET TO FLOAT BOWL ROCHESTER #7031925
31	1397-3317		1	CONTROL ASSEMBLY, VACUUM
32	N.S.S.		1	HOSE, VACUUM (ROCHESTER #7026339)

CONTINUED ON NEXT PAGE ➡

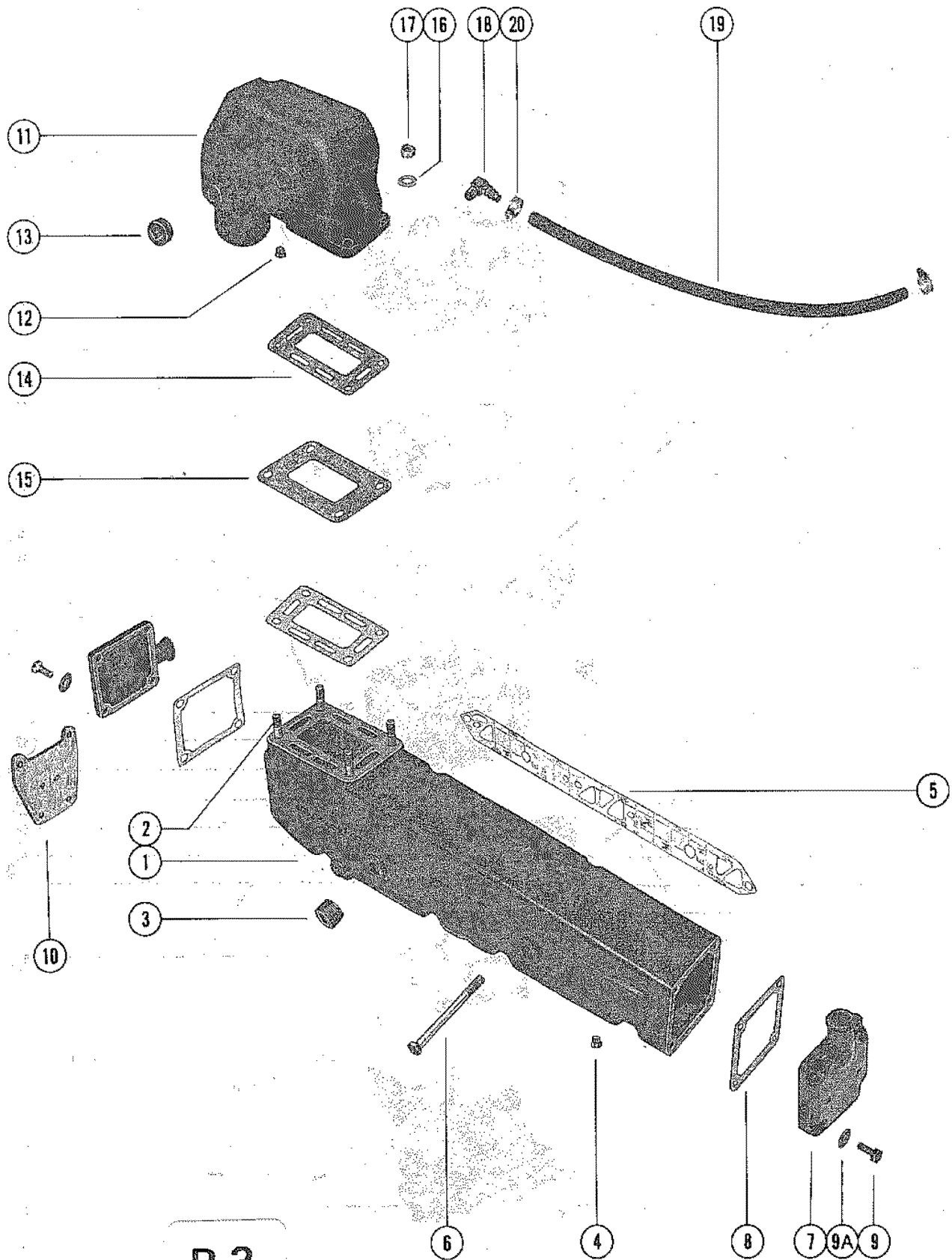
CARBURETOR ASSEMBLY, COMPLETE



CARBURETOR ASSEMBLY, COMPLETE

REF. NO.	PART NO.	SYM.	QTY.	DESCRIPTION
33	N.S.S.		1	POWER PISTON ASSEMBLY (ROCHESTER #7034637)
34	N.S.S.		1	SPRING, METERING ROD - PRIMARY (ROCHESTER #7029862)
35	N.S.S.		1	REATER, POWER PISTON (ROCHESTER #7034339)
36	N.S.S.		1	RETAINER, PUMP DISCHARGE BALL (ROCHESTER #7029849)
37			1	BALL, PUMP DISCHARGE
38	N.S.S.		1	SPRING, POWER PISTON (ROCHESTER #7029529)
39	N.S.S.		1	INSERT, FLOAT BOWL (ROCHESTER #7034361)
40	N.S.S.		1	FLOAT BOWL ASSEMBLY(ROCHESTER #7035358)
41	N.S.S.		1	SCREW, IDLE STOP(ROCHESTER #7002121)
42	N.S.S.		1	SPRING, IDLE STOP SCREW (ROCHESTER #7003176)
43	24-48143		1	SPRING, FILTER NUT
44	35-53336		1	FILTER, FUEL INLET
46			1	GASKET, FILTER NUT
47			1	GASKET, THROTTLE BODY (ROCHESTER #70626138)
48	N.S.S.		1	ROD, PUMP
49			1	CLIP, PUMP ROD
50	N.S.S.		1	THROTTLE BODY ASSEMBLY (MCM 228)-ROCHESTER #17058973
	N.S.S.		1	THROTTLE BODY ASSEMBLY (MCM 228 TR AND MIE 228) ROCHESTER #17053531
51			2	IDLE NEEDLE, THROTTLE BODY
52	24-33050		2	SPRING, IDLE NEEDLE
53	N.S.S.		3	SCREW, THROTTLE BODY TO FLOAT BOWL (ROCHESTER #7035790)
-	1397-3315		1	SPRING AND CAM KIT, AIR VALVE
-	1397-6638		1	OVERHAUL KIT (SERIAL#5069430 AND BELOW)
-	1397-7539		1	OVERHAUL KIT MCM 228 SERIAL 05069431-09999999
-	1397-7541		1	OVERHAUL KIT (MIE 228) SERIAL 05069431-09999999
-	1397-3309		1	GASKET SET

EXHAUST MANIFOLD AND EXHAUST ELBOW



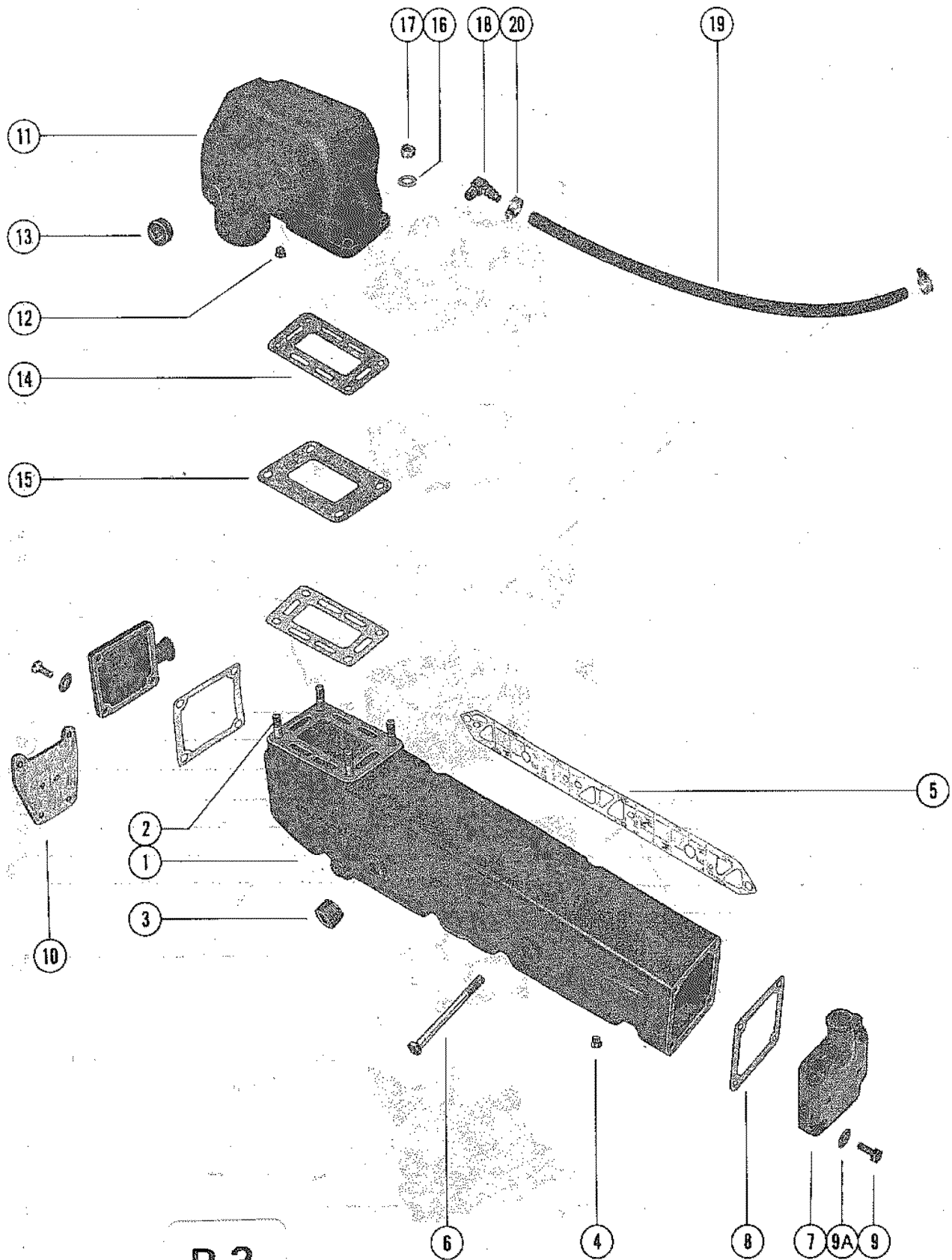
B-3

EXHAUST MANIFOLD AND EXHAUST ELBOW

REF. NO.	PART NO.	SYM.	QTY.	DESCRIPTION
1	47737A1		1	MANIFOLD, PORT (MCM 228) SERIAL 04888929 AND BELOW
	47738A1		1	MANIFOLD, STARBOARD (MCM 228) SERIAL 04888929 AND BELOW
	77234A2		1	MANIFOLD, PORT (MCM 228) SERIAL 04888930 AND UP
	77235A2		1	MANIFOLD, STARBOARD (MCM 228) SERIAL 04888930 AND UP
2	16-49545		8	STUD, EXHAUST MANIFOLD TO ELBOW (1 3/4")
3	22-48118		4	PLUG, EXHAUST MANIFOLD
4	22-32802		2	PLUG, PIPE - EXHAUST MANIFOLD
5	27-33395		2	GASKET, EXHAUST MANIFOLD TO CYLINDER HEAD
6	10-53728		8	SCREW, EXHAUST MANIFOLD TO CYLINDER HEAD (4 5/8")
7	60252		4	END CAP/CONNECTOR, EXHAUST MANIFOLD
8	27-48043		4	GASKET, END CAP/CONNECTOR TO EXHAUST MANIFOLD
9	10-24234		12	SCREW, END CAP TO MANIFOLD (1") MCM 228 AND MCM 228 TR
	10-73657		4	SCREW, END CAP TO MANIFOLD (1 1/2") MCM 228 AND MCM 228 TR
	10-24234		14	SCREW, END CAP TO MANIFOLD (1") MIE 228
	10-73657		2	SCREW, END CAP AND FUEL FILTER BRACKET (1 1/2") MIE 228
9A	12-53705		2	WASHER, END CAP SCREW MCM 228
10	54869		1	BRACKET, SOLENOID MOUNTING (STARBOARD SIDE) MCM 228
11	76351A1		2	EXHAUST ELBOW ASSEMBLY (MCM 228)
	76668A1		2	EXHAUST ELBOW ASSEMBLY (MCM 228 TR) SERIAL 00000000-04888929
	76351A1		2	EXHAUST ELBOW ASSEMBLY (MCM 228 TR) SERIAL 00000000-01888929
	76351A1		2	EXHAUST ELBOW ASSEMBLY (MCM 228 TR) SERIAL 00000000-04888929
	76351A1		1	EXHAUST ELBOW ASSEMBLY (MCM 228 TR) SERIAL 04888930-09999999
	76771A2		2	EXHAUST ELBOW ASSEMBLY (MIE 228)
12	22-32802		2	PLUG, PIPE - EXHAUST ELBOW
13	22-33198		8	PLUG, EXHAUST ELBOW
14	27-52076		4	GASKET, ELBOW TO MANIFOLD (MCM 228 AND MIE 228)
	27-48042		4	GASKET, ELBOW TO MAN.(MCM 228 TR) SERIAL 00000000-04888929
	27-52076		2	GASKET, ELBOW TO MAN.(MCM 228 TR) SERIAL 04888930-09999999
15	60207		2	PLATE, EXHAUST ELBOW TO MANIFOLD
	73782		2	PLATE, ELBOW TO MAN.(MCM 228 TR) SERIAL 00000000-04888929
	60207		2	PLATE, ELBOW TO MAN.(MCM 228 TR) SERIAL 04888930-09999999
	555730		2	PLATE, EXHAUST ELBOW TO MANIFOLD (MIE 228)

CONTINUED ON NEXT PAGE ➡

EXHAUST MANIFOLD AND EXHAUST ELBOW

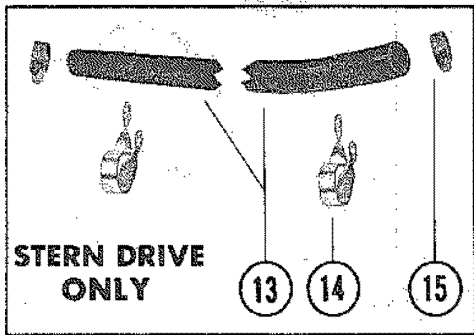
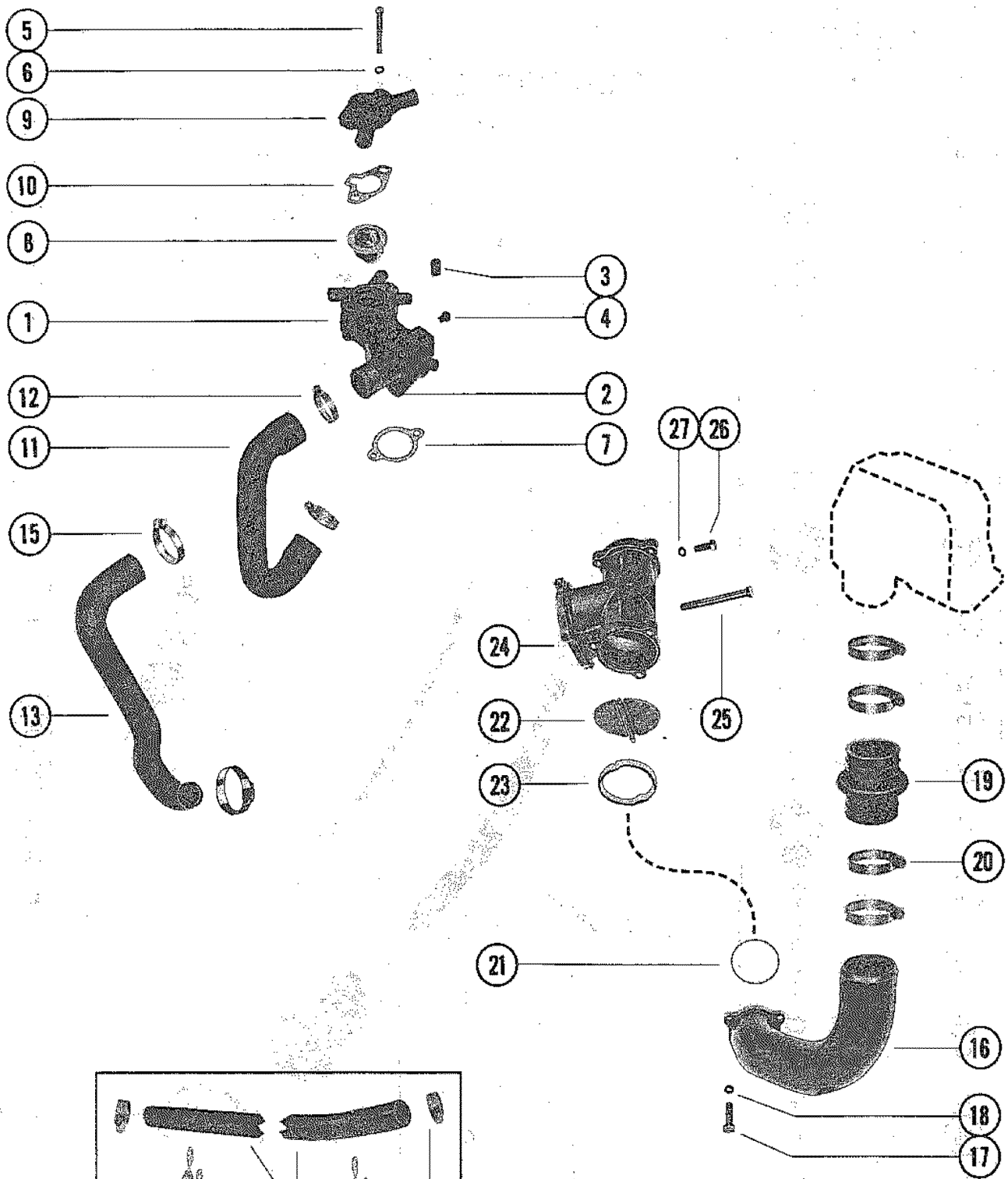


B-3

EXHAUST MANIFOLD AND EXHAUST ELBOW

REF. NO.	PART NO.	SYM.	QTY.	DESCRIPTION
16	13-35048		8	LOCKWASHER, EXHAUST ELBOW TO EXHAUST MANIFOLD STUD
17	11-49838		8	NUT, EXHAUST ELBOW TO EXHAUST MANIFOLD STUD
18	22-45084		2	FITTING, EXHAUST ELBOW
	22-62910		1	FITTING, EXHAUST ELBOW MCM 228 TR
19	32-62987--2		1	HOSE, STARBOARD ELBOW TO TRANSMISSION COOLER MCM 228 TR
20	54-32523		2	CLAMP, HOSE ATTACHING MCM 228 TR

THERMOSTAT HOUSING, COVER AND EXHAUST ELBOW

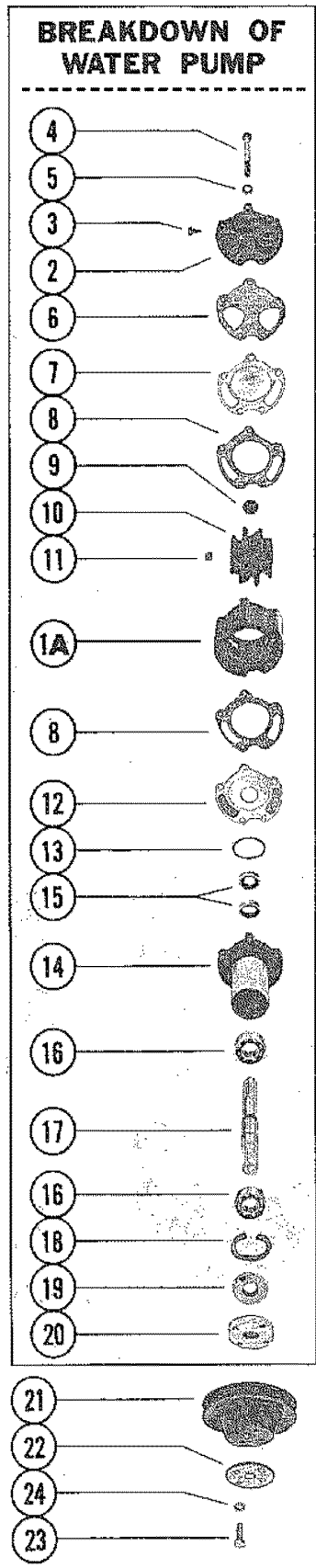


B-5

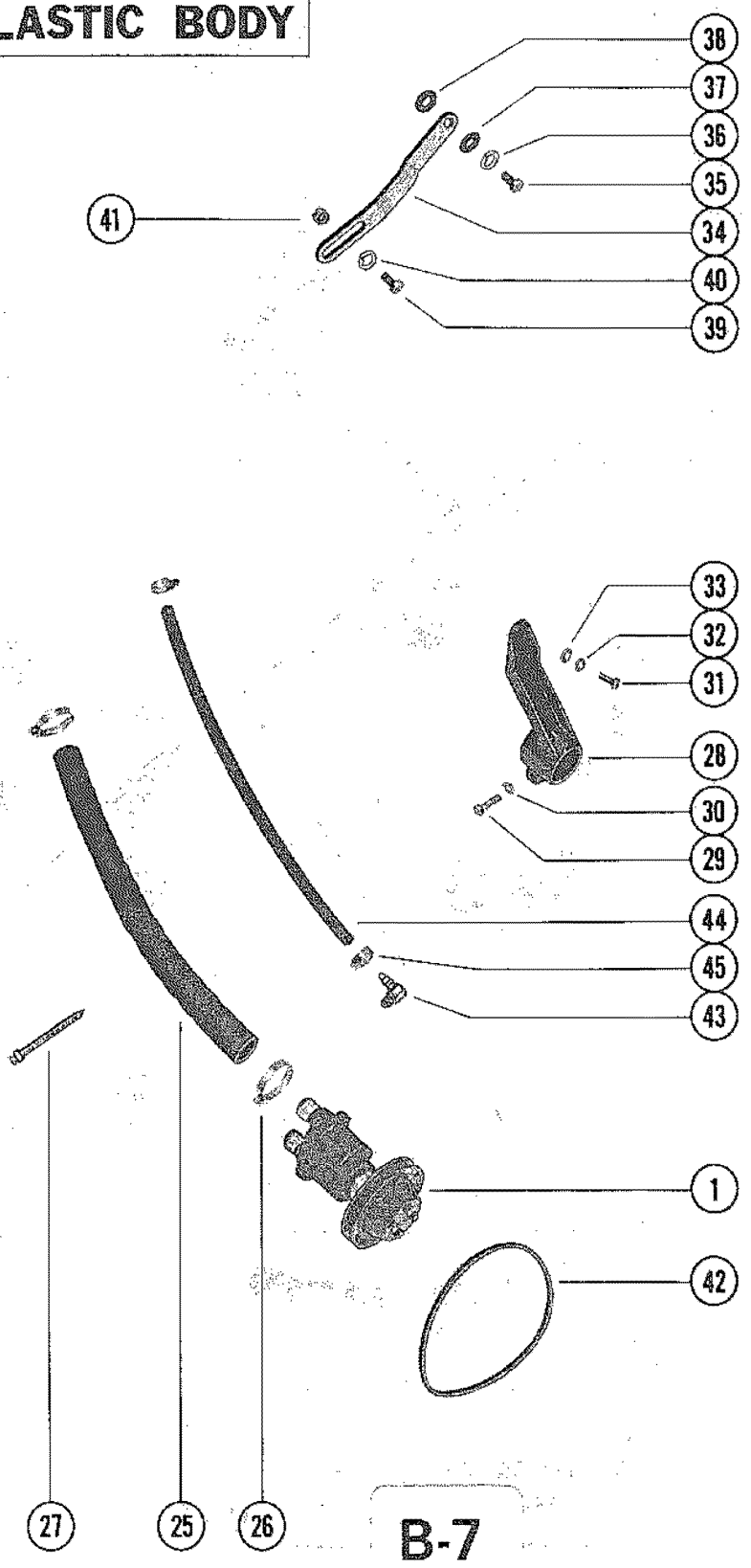
THERMOSTAT HOUSING, COVER AND EXHAUST ELBOW

REF. NO.	PART NO.	SYM.	QTY.	DESCRIPTION
1	78984A1		1	THERMOSTATE HOUSING ASSEMBLY
2	23-47511		1	SLEEVE, THERMOSTAT HOUSING
3	22-47540		2	PLUG, ALLEN HEAD
4	22-33198		1	PLUG, PIPE
5	10-33389		2	SCREW, HOUSING TO INTAKE MANIFOLD (1")
6	13-37459		2	LOCKWASHER, THERMOSTATE HOUSING SCREW
7	27-53045		1	GASKET, THERMOSTAT HOUSING
8	59137		1	THERMOSTAT (143)
9	47441		1	COVER, THERMOSTAT
10	27-48818		1	GASKET, THERMOSTAT COVER
11	32-33189		1	HOSE, THERMOSTAT HOUSING TO WATER PUMP (MOLDED)
12	54-32781		2	CLAMP, HOSE TO THERMOSTAT HOSUING AND WATER PUMP
13	32-76847A1		1	HOSE ASS'Y HSG. TO TRANSOM (W/O POWER STEERING) MCM 228
	32-77479A1		1	HOSE ASS'Y HSG. TO COOLER (W/POWER STEERING) MCM 228
14	54-47715		1	CLAMP, HOSE ATTACHING MCM 228
	5-64489		2	CLAMP, HOSE ATTACHING MCM 228
15	54-32780		2	CLAMP, HOSE ATTACHING MCM 228
16	73738		2	ELBOW, EXHAUST (MCM 228)
	73660		1	ELBOW, EXHAUST - PORT MCM 228 TR
	73659		1	ELBOW, EXHAUST - STARBOARD MCM 228 TR
17	10-60992		6	SCREW EXHUAST ELBOW (1 1/4")-MCM 228
	10-58640		6	SCREW, EXHUAST ELBOW (1 1/4")-MCM 228 TR
18	13-35048		6	LOCKWASHER, ELBOW SCREW MCM 228 AND MCM 228 TR
19	70981		2	BELLOWS, EXHUAST ELBOW MCM 228 AND MCM 228 TR
20	54-33683		4	CLAMP, BELLOW TO EXHUAST ELBOW (UPPER) MCM 228 AND MCM 228 TR
	54-31765		4	CLAMP, BELLOW TO EXHAUST ELBOW (LOWER) MCM 228 AND MCM 228 TR
21	25-35029		2	"O" RING, EXHUAST ELBOW TO TRANSOM PLATE MCM 228 AND MCM 228 TR
22	60930		2	SHUTTER, WATER EXHAUST SEPARATOR MCM 228 AND MCM 228 TR
23	60931		2	RETAINER, WATER SHUTTER (MCM 228)
	63151		2	RETAINER, WATER SHUTTER (MCM 228 TR)
24	59825		1	SEPARATOR, EXHAUST MCM 228
25	10-60835		1	SCREW, SPEARATOR TO HOUSING (5") MCM 228
26	10-60992		6	SCREW, SEPARATOR TO HOUSING (1 1/4") MCM 228
27	13-35048		6	LOCKWASHER, SEPARATOR SCREW MCM 228

WATER PUMP ASSEMBLY (MCM 228 TR)



PLASTIC BODY

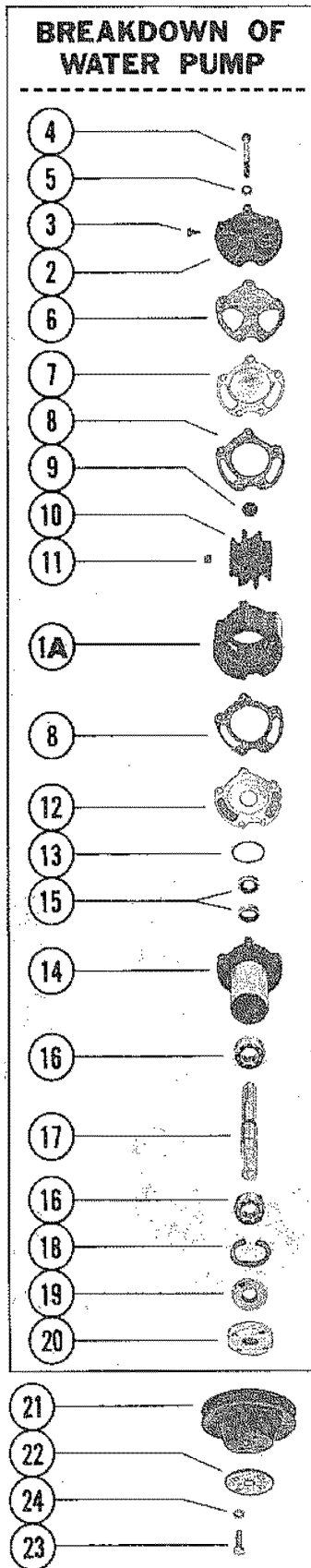


WATER PUMP ASSEMBLY (MCM 228 TR)

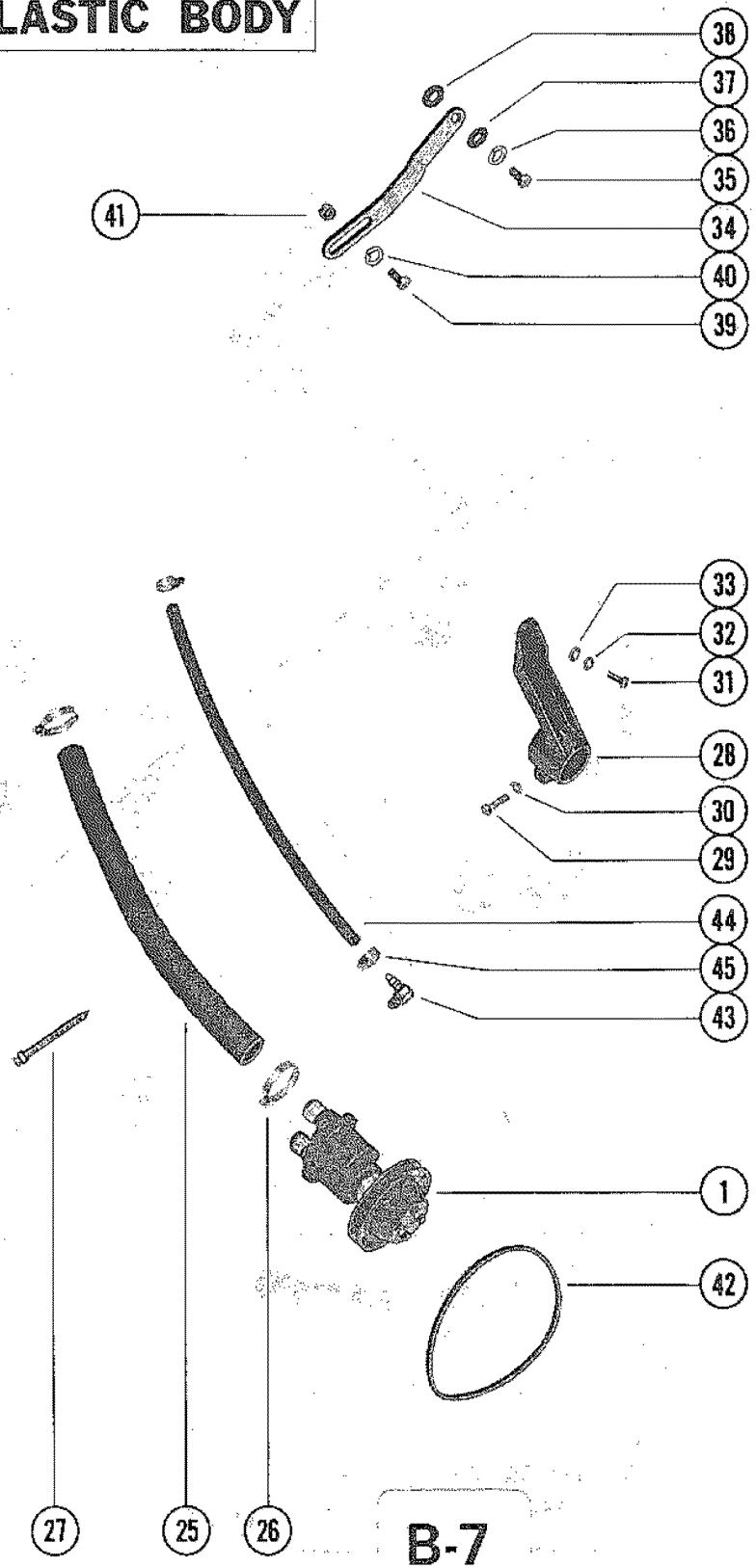
REF. NO.	PART NO.	SYM.	QTY.	DESCRIPTION
1	46-72774A11		1	WATER PUMP ASSEMBLY
1A	46-7525774		1	WATER PUMP BODY
2	72776		1	COVER, WATER PUMP
3	10-28642		4	SCREW, WATER PUMP SLEEVE (1/4")
4	10-63328		5	SCREW, COVER TO BODY (3")
5	12-20084		5	WASHER, CPVER TP BPDU SCREW
6	27-72779		1	GASKET, COVER TO OUTER WEAR PLATE
7	72777		1	WEAR PLATE
8	27-72780		2	GASKET, BODY TO WEAR PLATE
9	19-59504		1	PLUG, IMPELLER
11	28-56662		1	KEY, IMPELLER DRIVE
12	72778		1	WEAR PLATE
13	25-37340		1	"O" RING, PUMP HOUSING TO INNER WEAR PLATE
14	46-71497A2		1	PUMP HOUSING
15	26-23300		2	OIL SEAL, WATER PUMP SHAFT
16	30-72961		2	BALL BEARING, WATER PUMP SHAFT
17	59501		1	SHAFT, WATER PUMP
18	53-23720		1	RING, SNAP - BALL BEARING RETAINING
19	26-72785		1	OIL SEAL, WATER PUMP SHAFT
20	47530		1	HUB, WATER PUMP SHAFT
	47530		1	HUB, WATER PUMP PULLEY
21	73798		1	PULLEY, WATER PUMP
22	58265		1	BLAMPING RING, PUMP PULLEY
23	10-47277		4	SCREW, PULLEY TO WATER PUMP (3/4")
24	13-39107		4	LOCKWASHER, WATER PUMP PULLEY SCREW
25	32-72837		1	HOSE, WATER PUMP TO OIL COLLER (WITH POWER STEERING)
	32-49044		1	HOSE, PUMP TO THERMOSTAT HOUSING (WITHOUT POWER STEERING)
26	54-32780		2	CLAMP, WATER PUMP HOSE
27	62711		1	STA-STRAP, HOSE ATTACHING
28	47488		1	BRACKET, WATER PUMP
29	10-34354		1	SCREW, WATER PUMP BRACKET ATTACHING (1 1/2")
30	13-35048		1	LOCKWASHER, WATER PUMP BRACKET SCREW
31	10-34353		2	SCREW< WATER PUMP BRACKET TO ENGINE (1")
32	13-35048		2	LOCKWASHER, WATER PUMP BRACKET SCREW
33	12-34714		1	WASHER, WATER PUMP BRACKET SCREW
34	76739		1	BRACE, WATER PUMP ADJUSTING (WITH POWER STEERING)
	71648		1	BRACE, WATER PUMP ADJUSTING (WITHOUT POWER STEERING)
35	10-34353		1	SCREW, BRACE TO STEERING PUMP (1")-WOTJ {PWER STEERING
	10-76926		1	SCREW, BRACE TO STEERING PUMP (7/8")-WITHOUT POWER STEERING

CONTINUED ON NEXT PAGE ➡

WATER PUMP ASSEMBLY (MCM 228 TR)



PLASTIC BODY

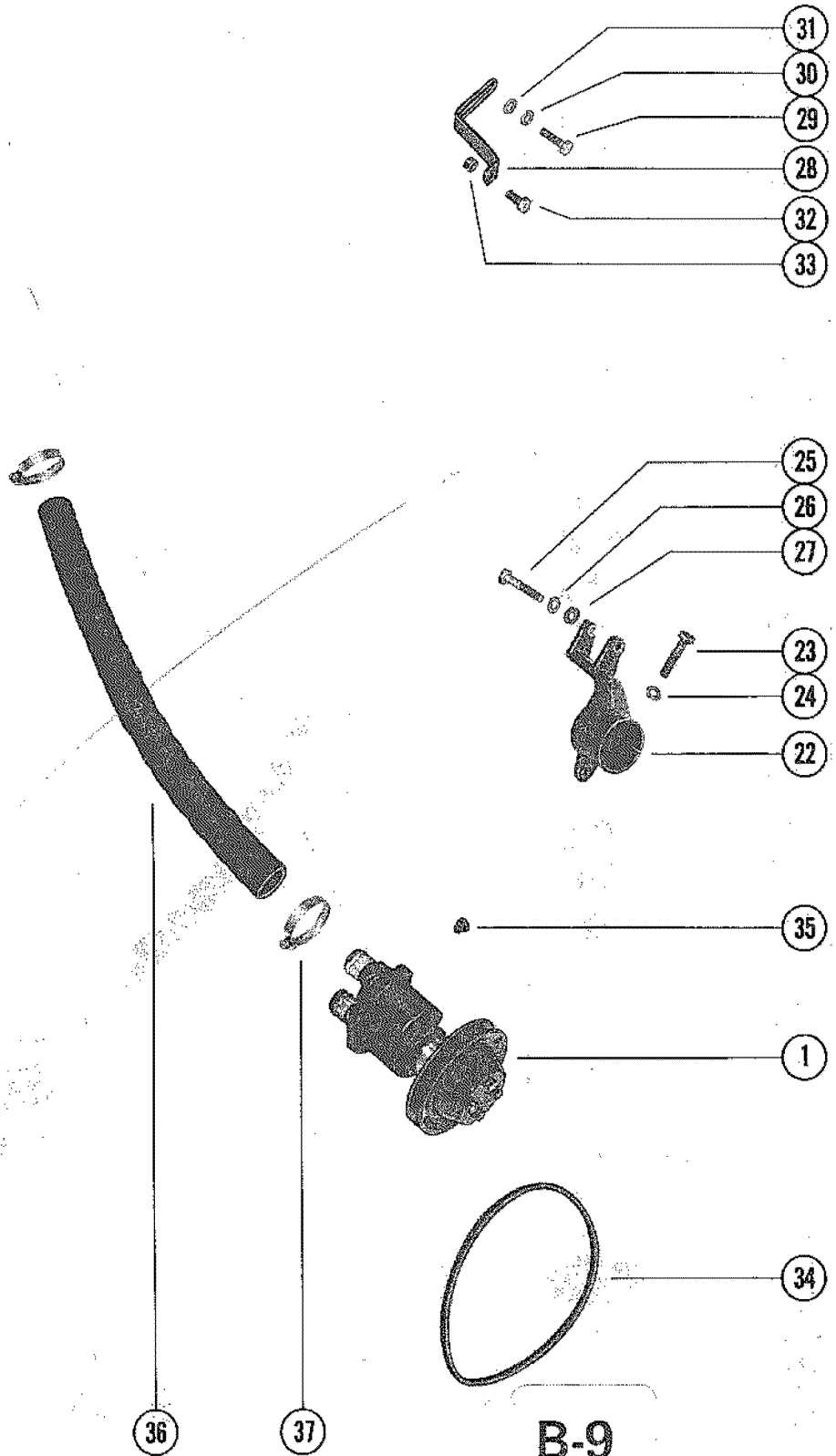
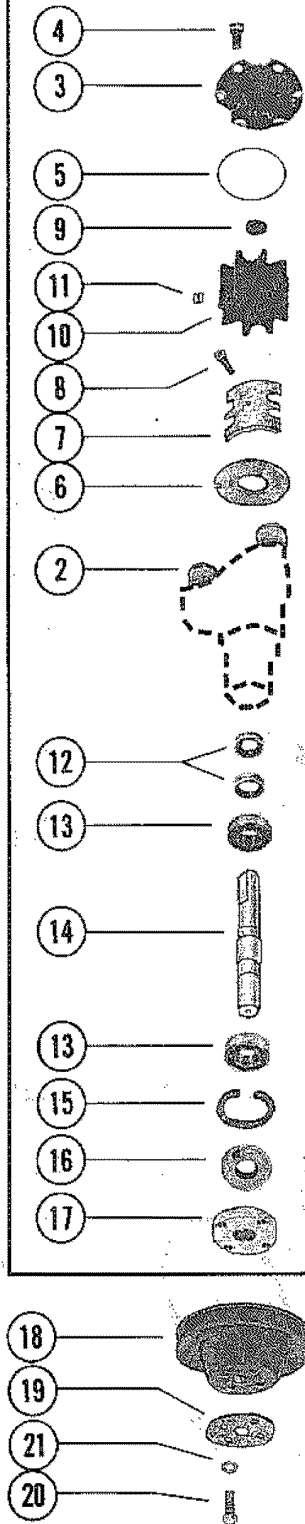


WATER PUMP ASSEMBLY (MCM 228 TR)

REF. NO.	PART NO.	SYM.	QTY.	DESCRIPTION
36	13-35048		1	LOCKWASHER, ADJUSTING BRACE SCREW
37	12-34714		1	WASHER, ADJUSTING BRACE SCREW
38	23-72057		1	SPACER, ADJUSTING BRACE SCREW (WITH POWER STEERING)
39	10-35786		1	SCREW, ADJUSTING BRACE TO BRACKET SCREW (1")
40	13-37459		1	LOCKWASHER, ADJUSTING BRACE SCREW
41	11-24883		1	NUT, ADJUSTING BRACE SCREW
42	57-74271		1	BELT, WATER PUMP
43	22-62910		1	FITTING, WATER PUMP BODY
44	32-62987--2		1	HOSE, WATER PUMP TO TRANSMISSION COOLER (34 1/2")
45	54-32523		2	CLAMP, HOSE ATTACHING

WATER PUMP ASSEMBLY (MIE 228)

BREAKDOWN OF WATER PUMP

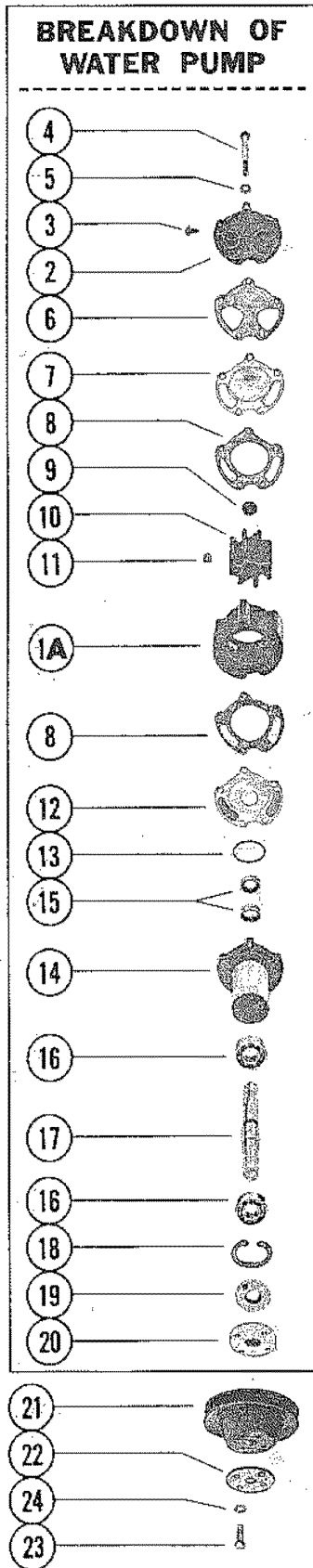


B-9

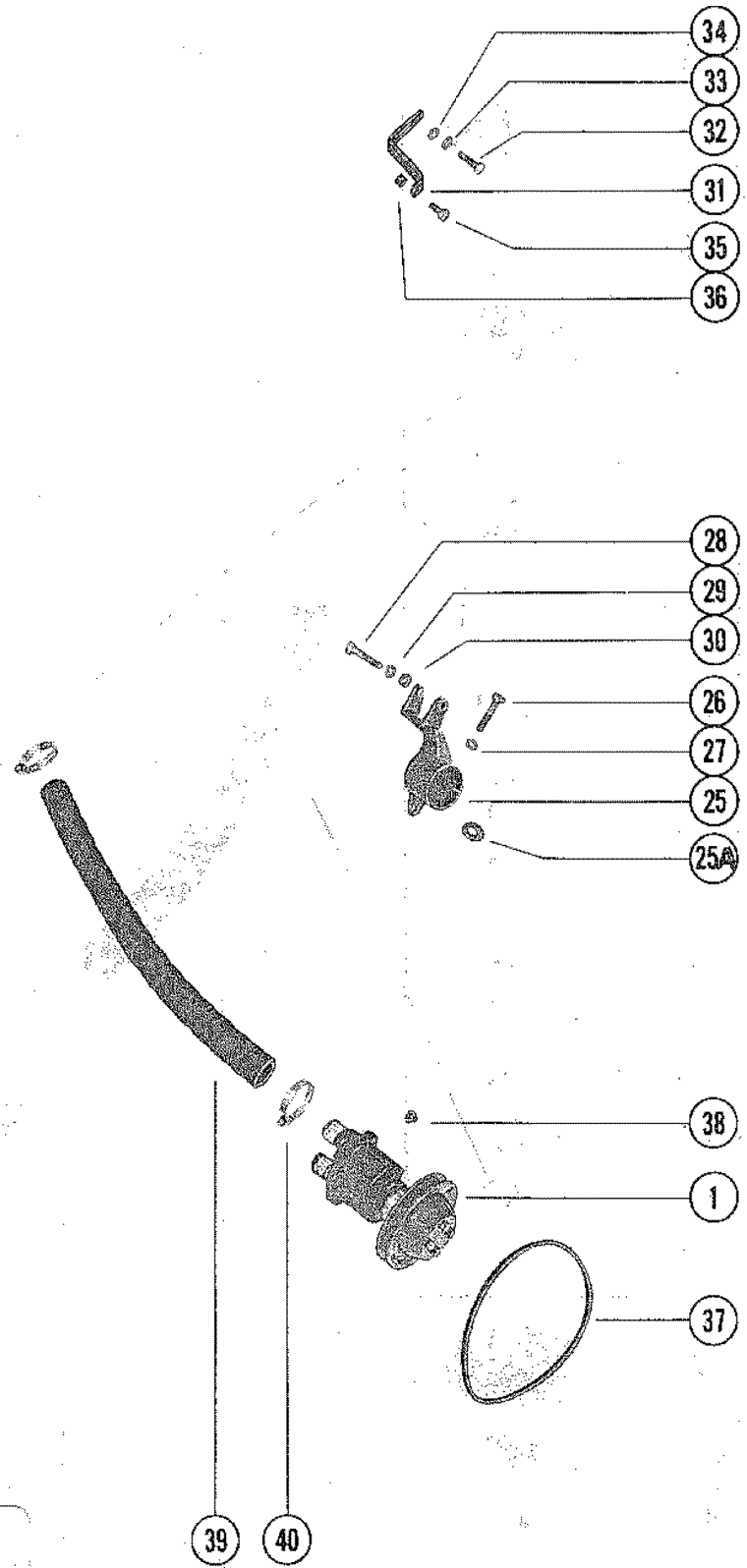
WATER PUMP ASSEMBLY (MIE 228)

REF. NO.	PART NO.	SYM.	QTY.	DESCRIPTION
1	46-73823A7		1	WATER PUMP ASSEMBLY
2	23-47511		2	SLEEVE, WATER (OUTLET AND INLET)
3	59155		1	COVER, WATER PUMP
4	10-28635		6	SCREW, COVER TO BODY
5	25-59712		1	"O" RING, WATER PUMP BODY COVER
6	59503		1	WEAR PLATE
7	59363A1		1	CAM SEGMENT ASSEMBLY
8	10-60777		1	SCREW, CAM SEGMENT
9	19-59504		1	PLUG, IMPELLER
10	47-59362A1		1	IMPELLER ASSEMBLY
11	28-56662		1	KEY, IMPELLER DRIVE
12	26-23300		2	OIL SEAL, WATER PUMP SHAFT
13	30-72961		2	BALL BEARING, WATER PUMP SHAFT
14	59501		1	SHAFT, WATER PUMP
15	53-23720		1	RING, SNAP - BALL BEARING RETAINER
16	26-72785		1	OIL SEAL, WATER PUMP SHAFT
17	47530		1	HUB, WATER PUMP PULLEY
18	73798		1	PULLEY, WATER PUMP
19	58265		1	CLAMPING RING, PUMP PULLEY
20	10-47277		1	SCREW, PULLEY TO WATER PUMP
21	13-39107		4	LOCKWASHER, WATER PUMP PULLEY SCREW
22	47488		1	BRACKET, WATER PUMP
23	10-34354		1	SCREW, WATER PUMP BRACKET CLAMPING
24	13-3548		1	LOCKWASHER WATER PUMP BRACKET SCREW
25	10-34353		1	SCREW, WATER PUMP BRACKET TO ENGINE (1")
26	13-35048		1	LOCKWAHSER, WATER PUMP BRACKET SCREW
27	12-20553		1	WASHER, WATER PUMP BRACKET SCREW
28	47544		1	BRACE, WATER PUMP ADJUSTING
29	10-34353		1	SCRW, BRACE TO STEERING PUMP
30	13-35048		1	LOCKWASHER, ADJUSTING BRACE SCREW
31	12-34714		1	WASHER, ADJUSTING BRACE SCREW
32	10-35786		1	SCREW, ADJUSTING BRACE TO BRACKET SCREW (1")
33	11-24883		1	NUT, ADJUSTING BRACE SCREW
34	57-74271		1	BELT, WATER PUMP
35	22-32802		1	PLUG, PIPE (FOR WATER PUMP BODY)
	22-32802		1	PLUG, PIPE (FOR WATER PUMP BODY)
36	32-57230		1	HOSE, MOLDED - WATER PUMP TO TRANSMISSION COOLER
37	54-32780		2	CLAMP, HOSE ATTACHING

WATER PUMP ASSEMBLY (MIE)



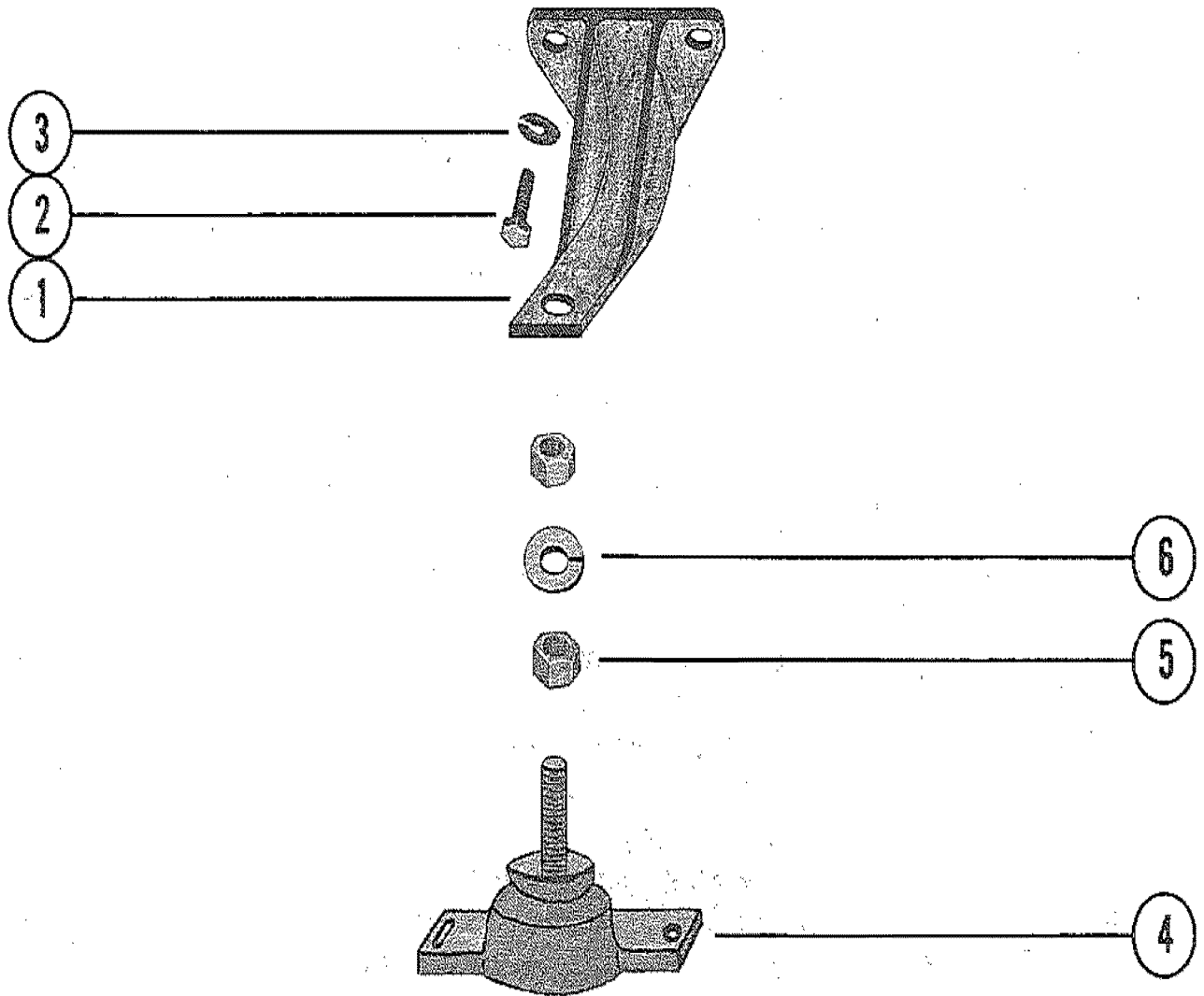
B-11



WATER PUMP ASSEMBLY (MIE)

REF. NO.	PART NO.	SYM.	QTY.	DESCRIPTION
1	46-72774A11		1	WATER PUMP ASSEMBLY SERIAL 04775785-09999999
1A	46-72774		1	BODY, WATER PUMP (PLASTIC BODY)
2	72776		1	COVER, WATER PUMP
3	10-28642		4	SCREW, WATER PUMP SLEEVE (1/4")
4	10-63328		5	SCREW, COVER TO BODY (3")
5	11-20739		5	WASHER, COVER TO BODY SCREW
6	27-72779		1	GASKET, COVER TO OUTER WEAR PLATE
7	72777		1	WEAR PLATE
8	27-72780		2	GASKET, BODY TO WEAR PLATE
9	19-59504		1	PLUG, IMPELLER
10	47-59362A1		1	IMPELLER ASSEMBLY
11	28-56662		1	KEY, IMPELLER DRIVE
12	72778		1	WEAR PLATE
13	25-37340		1	"O" RING, PUMP HOUSING TO INNER WEAR PLATE
14	46-71497A2		1	PUMP HOUSING
15	26-23300		2	OIL SEAL, WATER PUMP SHAFT
16	30-72961		2	BALL BEARING, WATER PUMP SHAFT
17	59501		1	SHAFT, WATER PUMP
18	53-23720		1	RING, SNAP - BALL BEARING RETAINING
19	26-72785		1	OIL SEAL, WATER PUMP SHAFT
20	47530		1	HUB, WATER PUMP PULLEY
21	73798		1	PULLEY, WATER PUMP
22	58265		1	CLAMPING RING, PUMP PULLEY
23	10-47277		4	SCREW, PULLEY TO WATER PUMP (3/4")
24	13-39107		4	LOCKWASHER, WATER PUMP PULLEY SCREW
25	47488		1	BRACKET, WATER PUMP
25A	12-79643		1	WASHER, BRACE SCREW (FOR SLOT)
26	10-34354		1	SCREW, WATER PUMP BRACKET CLAMPING
27	13-35048		1	LOCKWASHER, WATER PUMP BRACKET SCREW
28	10-34353		1	SCREW, WATER PUMP BRACKET TO ENGINE (1")
29	13-35048		1	LOCKWASHER, WATER PUMP BRACKET SCREW
30	12-34714		1	WASHER, WATER PUMP BRACKET SCREW
31	47544		1	BRACE, WATER PUMP ADJUSTING
32	10-34353		1	SCREW, BRACE TO STEERING PUMP
33	13-35048		1	LOCKWASHER, ADJUSTING BRACE SCREW
34	12-34714		1	WASHER, ADJUSTING BRACE SCREW
35	10-35786		1	SCREW, ADJUSTING BRACE TO BRACKET SCREW (1")
36	11-24883		1	NUT, ADJUSTING BRACE SCREW
37	57-74271		1	BELT, WATER PUMP
38	22-32802		1	PLUG, PIPE (FOR WATER PUMP BODY)
39	32-86216		1	HOSE, MOLDED - WATER PUMP TO TRANSMISSION COOLER
40	54-32780		2	CLAMP, HOSE ATTACHING

ENGINE MOUNTING

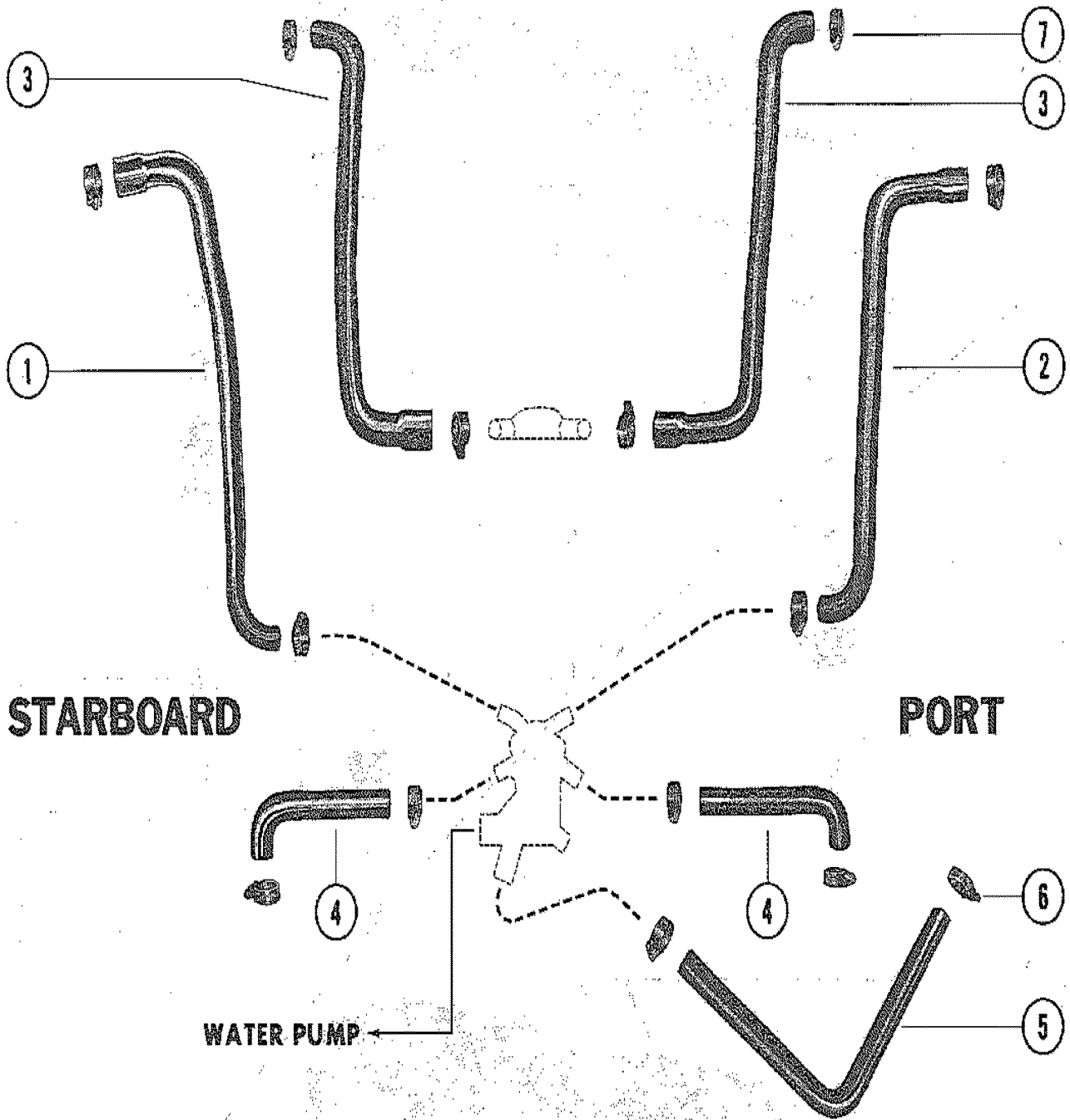


MCM 228 and MCM 228 TR

ENGINE MOUNTING

REF. NO.	PART NO.	SYM.	QTY.	DESCRIPTION
1	70938		2	BRACKET, MOUNTING - ENGINE MCM 228 : MCM 228TR SERIAL 00000000-9290290:
	79550		2	BRACKET, MOUNTING - ENGINE MCM 228 SERIAL 04929030-09999999
2	10-37612		6	SCREW, MOUNTING BRACKET TO ENGINE (1 1/4")
3	13-35048		6	LOCKWASHER, MOUNTING BRACKET SCREW
4	66284		2	BRACKET, MOUNTING
5	11-20739		4	NUT, JAM - MOUNTING BRACKET
6	13-68102		2	LOCKWASHER, MOUNTING BRACKET

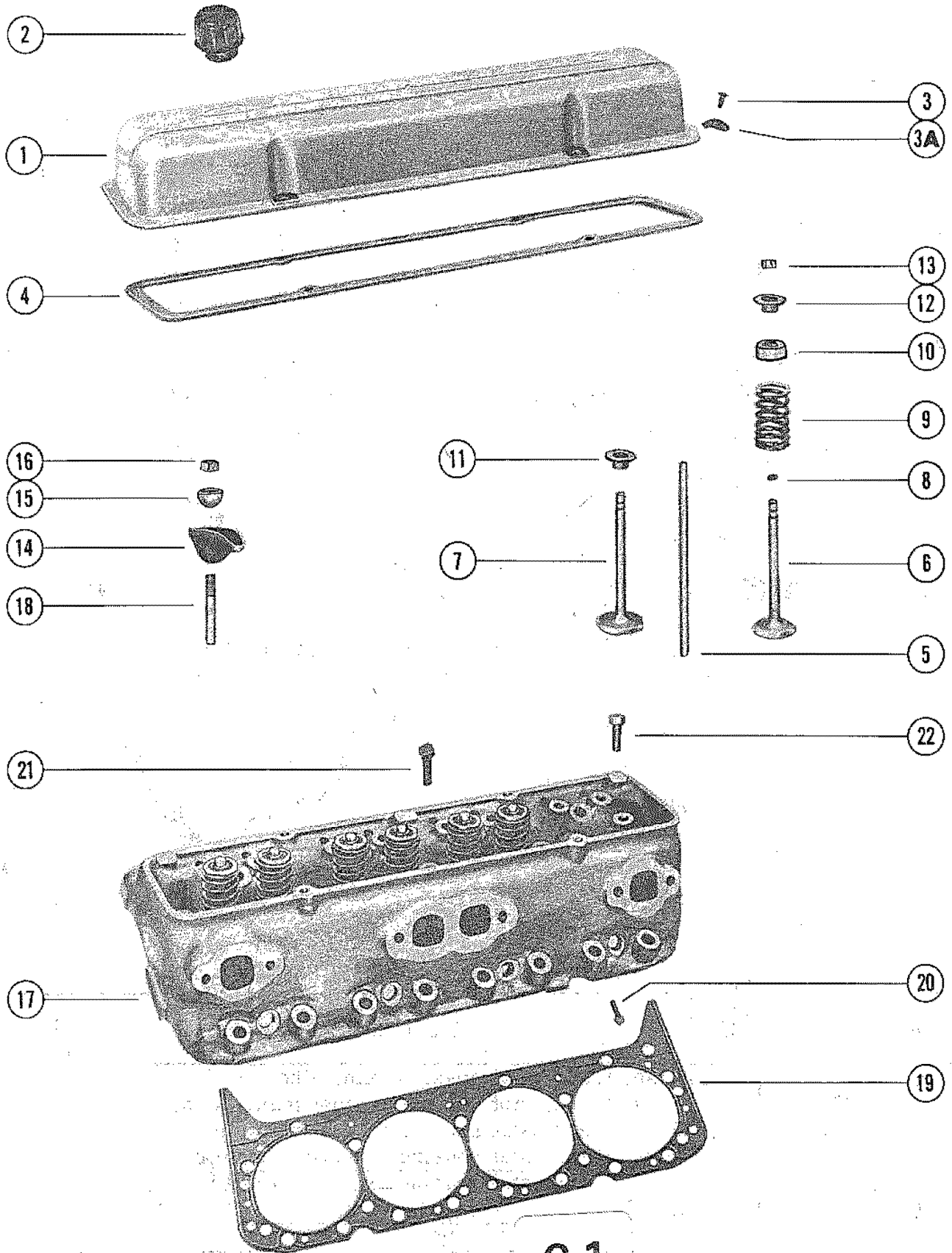
WATER DISTRIBUTION HOSES



WATER DISTRIBUTION HOSES

REF. NO.	PART NO.	SYM.	QTY.	DESCRIPTION
1 & 2	32-73796		2	HOSE, THERMOSTATE COVER TO EXH. ELBOW
3	32-73794		1	HOSE, THERMOSTATE HSG. TO EXHAUST MAN. (STBD.)
	32-73795		1	HOSE, THERMOSTATE HSG. TO EXHAUST MAN. (PORT)
4	32-48132		2	HOSE, THERMOSTATE HOUSING TO EXHAUST MANIFOLD (FRONT)
5	32-71613		1	HOSE, THERMOSTATE HOUSING TO OIL COOLER MCM 228 TR AND MIE 228
6	54-32780		2	CLAMP, HOSE ATTACHING MCM 228 TR AND MIE 2
7	54-32880		12	CLAMP, HOSE ATTACHING

ROCKER COVER AND CYLINDER HEAD

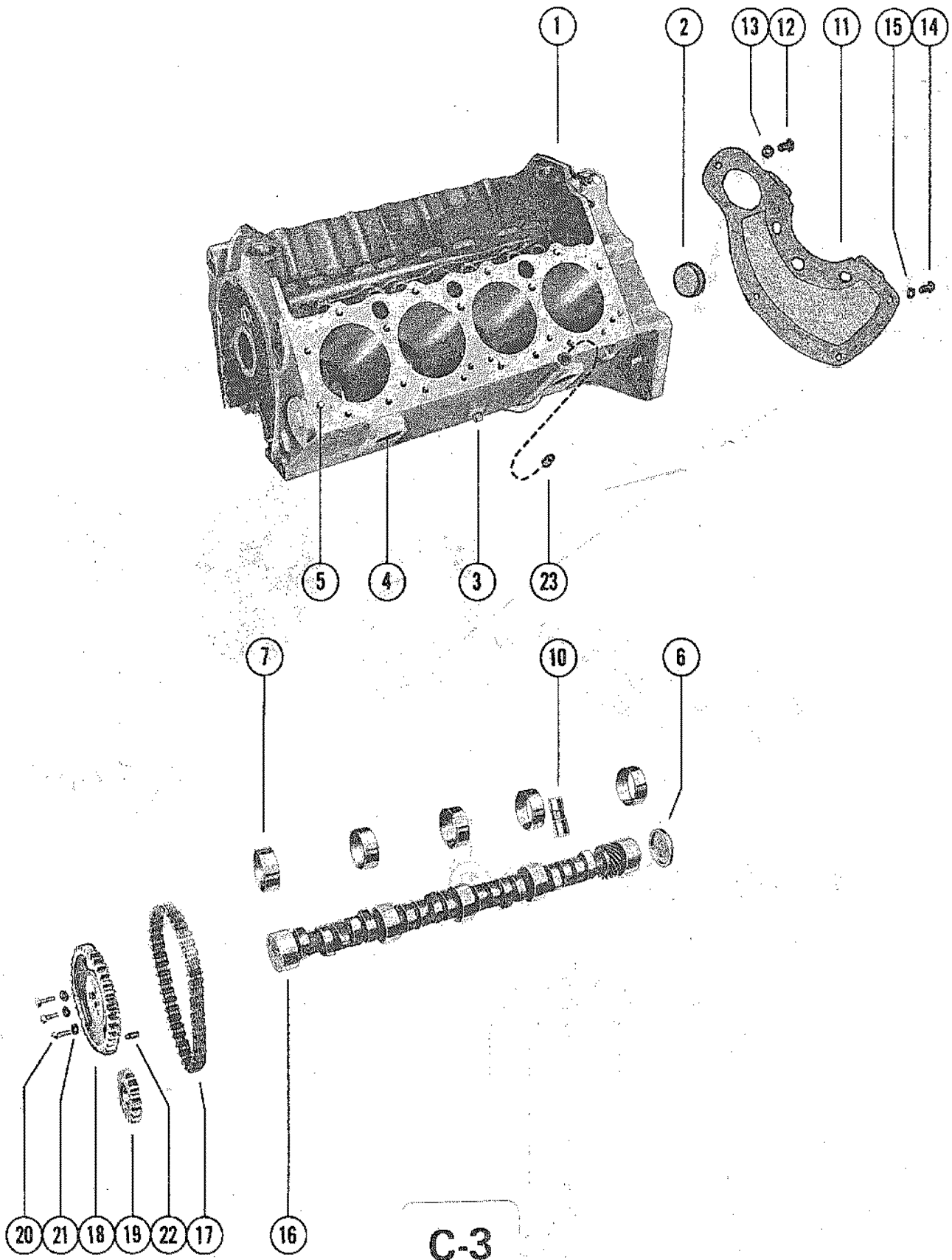


C-1

ROCKER COVER AND CYLINDER HEAD

REF. NO.	PART NO.	SYM.	QTY.	DESCRIPTION
1	79961		2	COVER, ROCKER
-	37-77553		2	DECAL, HORSEPOWER (228 H. P.)-MCM 228
-	37-77254		1	DECAL, ROCKER COVER (WAVES)-MCM 228 AND MCM 228 TR
-	37-77554		2	DECAL, HORSEPOWER (228 H.P.)-MCM 228 TR
-	37-79126		2	DECAL, HORSEPOWER (228 H.P.) MIE 228
-	37-77255		1	DECAL, ROCKER COVER (WAVES) MIE 228
2	49288		1	CAP, OIL FILLER
3	10-35366		8	SCREW, ROCKER VALVE COVER TO CYLINDER HEAD (1/2")
3A	49174		8	REINFORCEMENT, VALVE ROCKER COVER
4	27-52202		2	GASKET, ROCKER VALVE COVER
5	35330		16	ROD, VALVE PUSH
6	35323		8	VALVE, EXHAUST (STANDARD)
	85803		8	VALVE, EXHAUST (STANDARD)
	87284		8	VALVE, EXHAUST (STANDARD)
	49076		AR	VALVE, EXHAUST (.015 O.S.)
	87301		AR	VALVE, EXHAUST (.015 O.S.)
7	34458		8	VALVE, INLET (STANDARD)
	34525		AR	VALVE, INLET (.015 O.S.)
8	26-34217		16	SEAL, VALVE
9	24-48347		8	SPRING, VALVE (INLET)
	24-72642		8	SPRING, VALVE (EXHAUST)
	24-48347		16	SPRING, VALVE (INLET AND EXHAUST)
10	34518		16	SHIELD, VALVE SPRING CAP
11	48348		8	CAP, INLET VALVE
12	35328		8	ROTATOR ASSEMBLY, VALVE SPRING - EXHAUST VALVE
13	28-54797		32	KEY, VALVE STEM
14	35329		16	ARM, ROCKER VALVE
15	35331		16	BALL UNIT, ROCKER VALVE ARM
16	11-34516		16	NUT, ROCKER VALVE ARM STUD
17	938-6536		2	CYLINDER HEAD ASSEMBLY
	938-7357		2	CYLINDER HEAD ASSEMBLY
18	16-34522		AR	STUD, ROCKER VALVE ARM (.003 O.S.)
	16-34521		AR	STUD, ROCKER VALVE ARM (.013 O.S.)
19	27-75611		2	GASKET, CYLINDER HEAD
20	10-35317		16	BOLT, CYLINDER HEAD TO CYLINDER BLOCK (1 3/4")
21	10-35318		4	BOLT, CYLINDER HEAD TO CYLINDER BLOCK (3")
22	10-35316		14	BOLT, CYLINDER HEAD TO CYLINDER BLOCK (3 3/4")

CYLINDER BLOCK AND CAMSHAFT

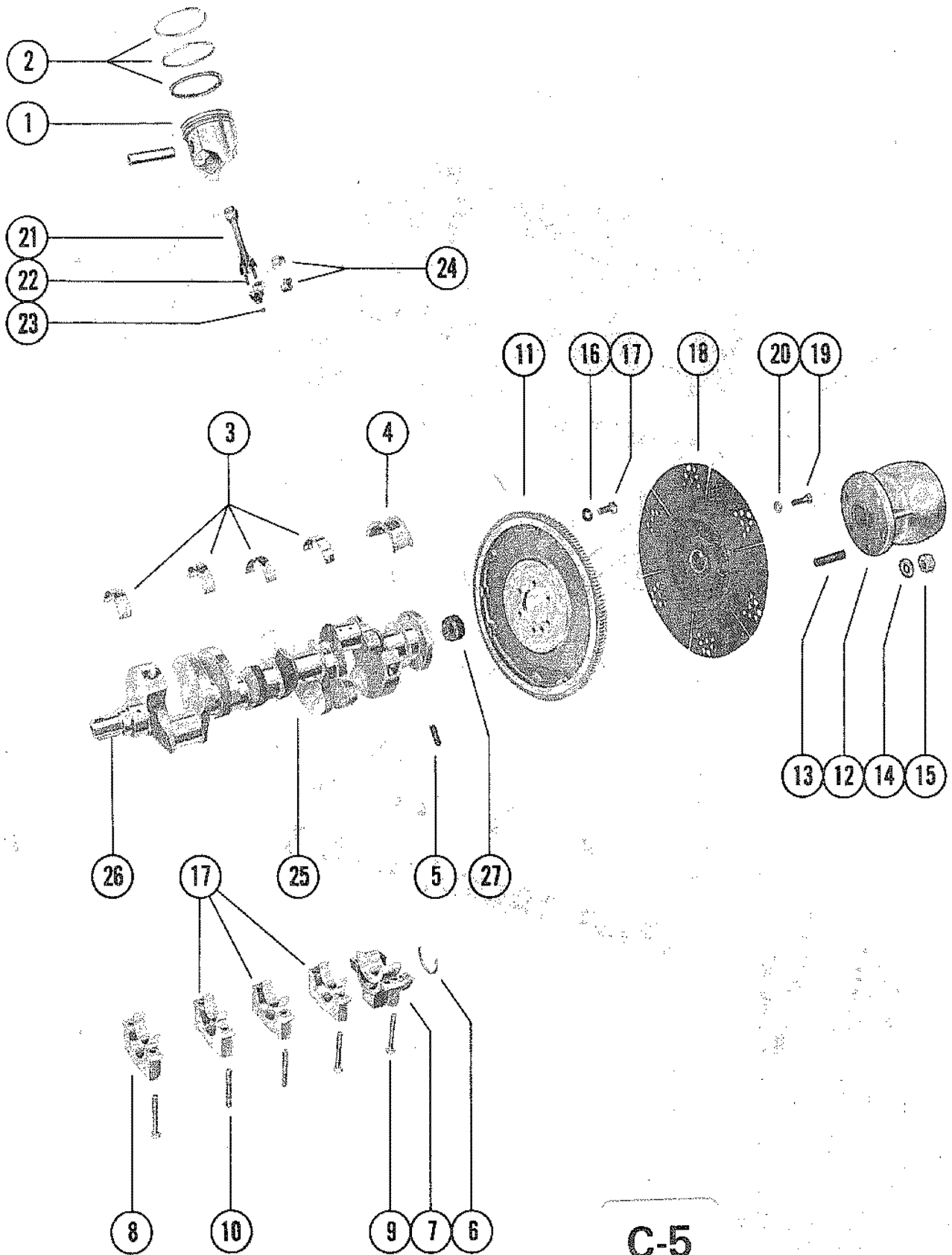


C-3

CYLINDER BLOCK AND CAMSHAFT

REF. NO.	PART NO.	SYM.	QTY.	DESCRIPTION
1	841-6535		1	CYLINDER BLOCK
2	19-35308		2	PLUG, EXPANSION - CYLINDER BLOCK (1 1/4")
3	22-64426		2	DRAIN COCK, CYLINDER BLOCK
4	19-34270		8	PLUG, EXPANSION - CYLINDER BLOCK (1 5/8" DIA.)
-	22-48340		10	PLUG, PIPE - CYLINDER BLOCK (1/4" DIA.)
5	17-35465		4	PIN, DOWEL - CYLINDER BLOCK TO CYL. HEAD (5/16" DIA.)
6	22-72640		1	PLUG, EXPANSION - CAMSHAFT BEARING HOLE
7	23-85674		1	BEARING UNIT, CAMSHAFT (SET)
10	72638		16	LIFTER, HYDRAULIC VALVE - TAPPET
11	71995		1	COVER, TRANSMISSION HOUSING MCM 228 AND MCM 228 TR
12	10-20031		1	SCREW, COVER ATTACHING (1/2") MCM 228 AND MCM 228 TR
13	13-26992		1	LOCKWASHER, COVER SCREW MCM 228 AND MCM 228 TR
14	10-33231		3	SCREW, COVER ATTACHING (1/2") MCM 228 AND MCM 228 TR
15	13-39107		3	LOCKWASHER, COVER SCREW MCM 228 AND MCM 228 TR
16	431-5943		1	CAMSHAFT(STANDARD ROTATION)
	431-3357		1	CAMSHAFT(OPPOSITE ROTATION)
17	35378		1	CHAIN, CAMSHAFT TIMING STANDARD ROTATION
18	43-35338		1	SPROCKET, CAMSHAFT TIMING (44 TEETH) STANDARD ROTATION
19	13-48338		1	SPROCKET, CRANKSHAFT TIMING STANDARD ROTATION
18	43-48356		1	GEAR, TIMING - CAMSHAFT OPPOSITE ROTATION
19	43-48334		1	GEAR, TIMING - CRANKSHAFT OPPOSITE ROTATION
20	10-34505		3	BOLT, CAMSHAFT TIMING SPROCKETS (3/4")
21	12-39167		3	WASHER, CAMSHAFT TIMING SPROCKET BOLT
22	17-24813		1	PIN, DOWEL - CAMSHAFT TIMING SPROCKET (1/4" DIA.)
23	19-71900		1	PLUG, OIL LEVEL GAUGE HOLE - CYLINDER BLOCK(MIE 228)

CRANKSHAFT AND PISTONS



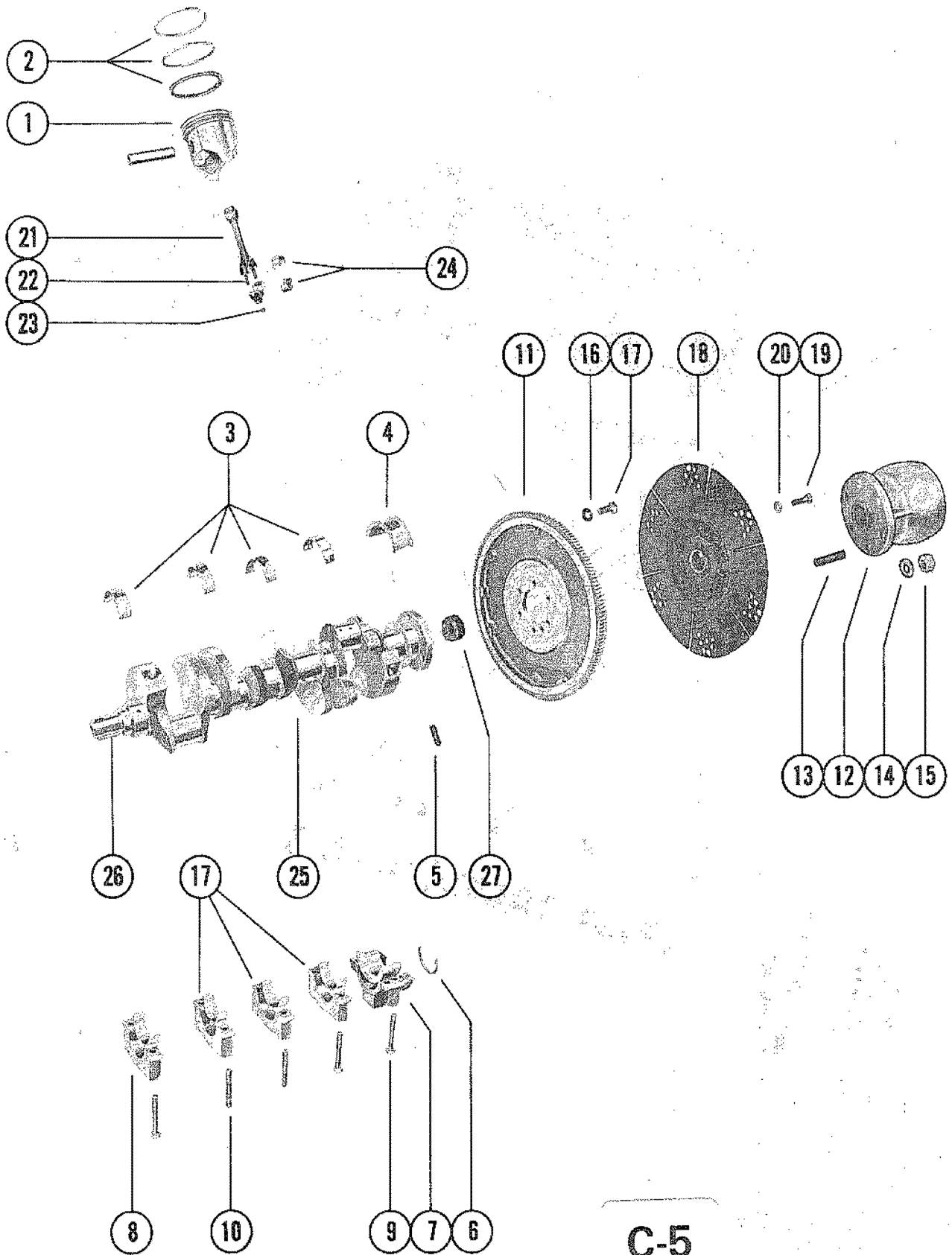
C-5

CRANKSHAFT AND PISTONS

REF. NO.	PART NO.	SYM.	QTY.	DESCRIPTION
1	735-6538		AR	PISTON AND PISTON PIN ASSEMBLY (.001 O.S.)
	735-6616		AR	PISTON AND PISTON PIN ASSEMBLY (.010 O.S.)
	735-6617		AR	PISTON AND PISTON PIN ASSEMBLY (.030 O.S.)
2	39-75609		8	RING, PISTON - 8 SETS (STANDARD)
	39-75981		AR	RING, PISTON - 8 SETS (.030 O.S.)
3	23-52205		4	BEARING UNIT, CRANKSHAFT (STANDARD)
	23-52206		AR	BEARING UNIT, CRANKSHAFT MAIN (.001 U.S.)
	23-52207		AR	BEARING UNIT, CRANKSHAFT MAIN (.002 U.S.)
	23-52209		AR	BEARING UNIT, CRANKSHAFT MAIN (.010 U.S.)
	23-52210		AR	BEARING UNIT, CRANKSHAFT MAIN (.020 U.S.)
4	23-52211		1	BEARING UNIT, CRANKSHAFT MAIN - REAR (STANDARD)
	23-52212		AR	BEARING UNIT, CRANKSHAFT MAIN - REAR (.001 U.S.)
	23-52213		AR	BEARING UNIT, CRANKSHAFT MAIN - REAR (.002 U.S.)
	23-52215		AR	BEARING UNIT, CRANKSHAFT MAIN - REAR (.010 U.S.)
	23-52216		AR	BEARING UNIT, CRANKSHAFT MAIN - REAR (.020 U.S.)
5	17-24813		1	PIN, DOWEL - REAR CRANKSHAFT BEARING CAP (1/4" DIA.)
6	26-58203		2	OIL SEAL, REAR CRANKSHAFT BEARING CAP(STANDARD ROTATION)
	26-35313		2	OIL SEAL, REAR CRANKSHAFT BEARING CAP(OPPOSITE ROTATION)
7	52217		1	CAP, REAR - CRANKSHAFT BEARING
8	54789		4	CAP, FRONT AND INTERMEDIATE - CRANKSHAFT BEARING
9	10-54788		5	BOLT, CRANKSHAFT BEARING CAP TO CYLINDER BLOCK (2 31/32")
10	16-54790		5	STUD, OIL PAN BAFFLE ATTACHING
-	17-35312		1	PIN, DOWEL - CRANKCASE FRONT END COVER AND OIL PUMP
11	222-4521		4	FLYWHEEL ASSEMBLY(STERN DRIVE)
	230-4614		1	FLYWHEEL ASSEMBLY(INBOARD)
12	76850A2		1	COUPLING ASSEMBLY MCM 228
13	16-32808		6	STUD, COUPLER TO FLYWHEEL MCM 228
14	12-34567		6	WASHER, COUPLER TO FLYWHEEL STUD MCM 228
15	11-34933		6	NUT, COUPLER STUDS TO FLYWHEEL MCM 228
16	13-39131		6	LOCKWASHER, FLYWHEEL SCREW
17	10-49845		6	SCREW, FLYWHEEL TO CRANKSHAFT
18	70637		1	DRIVE PLATE, FLYWHEEL(MCM 228 TR)
	47608		1	DRIVE PLATE, FLYWHEEL(MIE 228)
19	10-35091		6	SCREW, DRIVE PLATE TO FLYWHEEL
20	13-35048		6	LOCKWASHER, DRIVE PLATE SCREW
21	614-3595		8	CONNECTING ROD ASSEMBLY
22	10-52220		16	BOLT, CONNECTING ROD CAP
23	11-37493		16	NUT, CONNECTING ROD CAP BOLT
24	23-52221		1	BEARING SET (4 PAIR), CONNECTING ROD (STANDARD)
	23-52222		AR	BEARING UNIT (PAIR), CONNECTING ROD (.001 U.S.)

CONTINUED ON NEXT PAGE ➡

CRANKSHAFT AND PISTONS

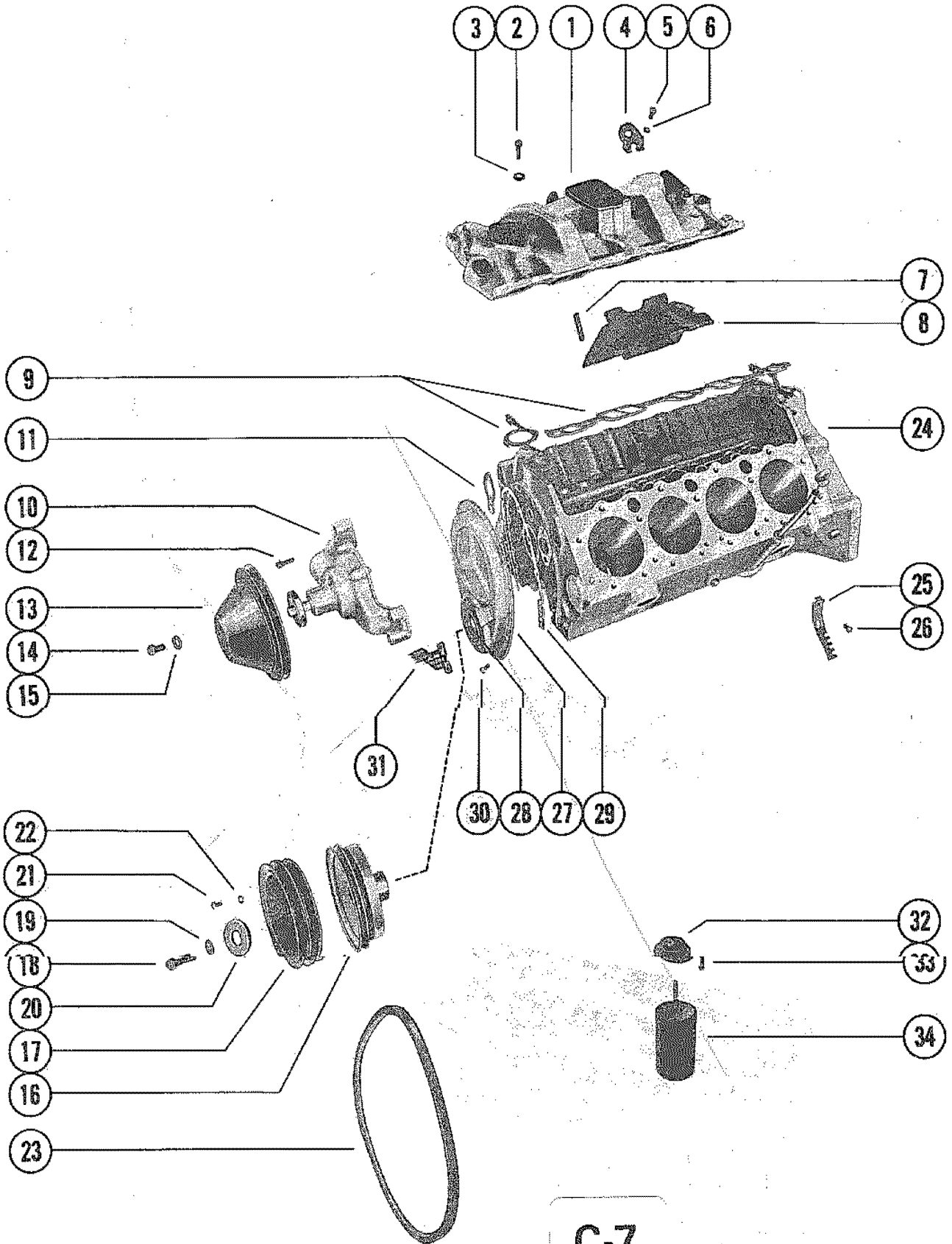


C-5

CRANKSHAFT AND PISTONS

REF. NO.	PART NO.	SYM.	QTY.	DESCRIPTION
24	23-52223		AR	BEARING UNIT (PAIR), CONNECTING ROD (.002 U.S.)
	23-52224		AR	BEARING UNIT (PAIR), CONNECTING ROD (.010 U.S.)
	23-52225		AR	BEARING UNIT (PAIR), CONNECTING ROD (.020 U.S.)
25	429-6537		1	CRANKSHAFT
26	28-34466		2	KEY, CRANKSHAFT PULLEY AND BALANCER
27	23-71647		1	BUSHING, PILOT - CRANKSHAFT (MCM 228 AND MCM 228 TR)

INTAKE MANIFOLD



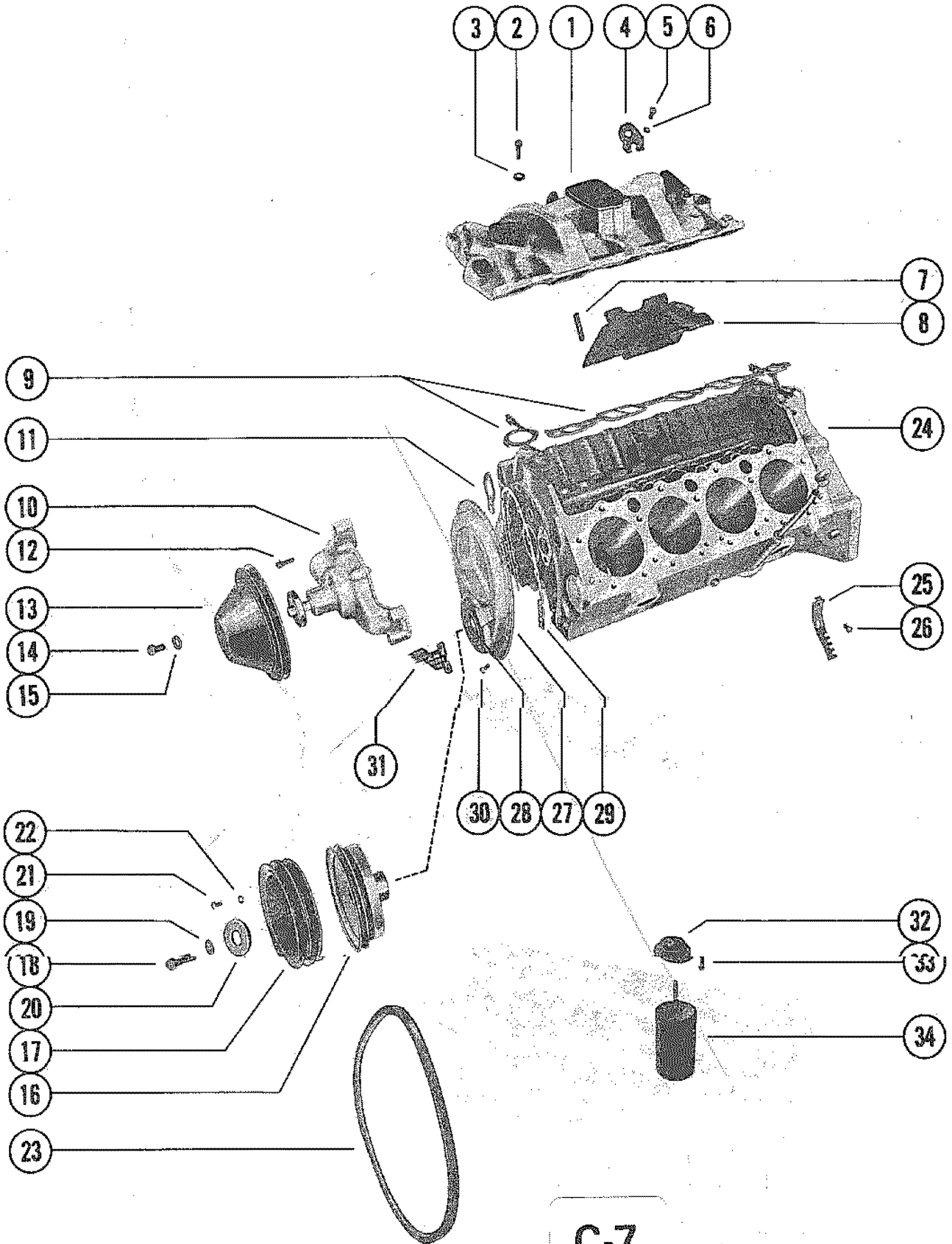
C-7

INTAKE MANIFOLD

REF. NO.	PART NO.	SYM.	QTY.	DESCRIPTION
1	72646		1	INTAKE MANIFOLD
2	10-26487		9	BOLT, INTAKE MANIFOLD TO CYLINDER BLOCK (1 1/8")
	10-37510		3	BOLT, INTAKE MANIFOLD TO CYLINDER BLOCK (1 1/2")
3	12-49112		3	WASHER, INTAK MANIFOLD BOLT
4	54-47512		1	EYE, LIFTING MCM 228 TR AND MIE 228
5	10-34354		2	SCREW, LIFTING EYE ATTACHING (1 1/2") MCM 228 TR AND MIE 228
6	13-35048		2	LOCKWASHER, LIFTING EYE SCREW MCM 228 TR AND MIE 228
7	16-66203		4	STUD, GUARD TO INTAKE MANIFOLD
8	72647		4	GUARD, INTAKE MANIFOLD
9	27-72637		1	GASKET SET, INTAKE MANIFOLD
10	60658		1	WATER PUMP ASSEMBLY
11	27-34897		2	GASKET, WATER PUMP MOUNTING
12	10-32132		1	SCREW, WATER PUMP TO CYLINDER BLOCK (1 3/4")
	10-35346		1	SCREW, WATER PUMP TO CYLINDER BLOCK (2 3/4")
	10-52200		1	SCREW, WATER PUMP TO CYLINDER BLOCK (1 1/2")
	16-35342		1	STUD, WATER PUMP TO CYLINDER BLOCK
13	52349		1	PULLEY, WATER PUMP
14	10-47277		4	SCREW, PULLEY TO WATER PUMP (3/4")
15	13-39107		4	LOCKWASHER, WATER PUMP PULLEY SCREW
16	75420		1	BALANCER, HARMONIC - CRANKSHAFT
17	33863		1	PULLEY, HARMONIC BALANCER
	75040		1	PULLEY, HARMONIC BALANCER(WITH POWER STEERING)
18	10-72626		1	BOLT, PULLEY AND HARMONIC BALANCER TO CRANKSHAFT (2")
19	13-39131		1	LOCKWASHER, PULLEY AND HARMONIC BALANCER BOLT
20	12-35332		1	WASHER, PULLEY AND HARMONIC BALANCER BOLT
21	10-35786		3	BOLT, PULLEY TO BALANCER (1 1/4") WITH POWER STEERING)
	10-34352		3	BOLT, PULLEY TO BALANCER (7/8") WITHOUT POWER STEERING
22	13-35048		3	LOCKWASHER, CRANKSHAFT PULLEY BOLT
23	57-48120		1	BELT, ALTERNATOR DRIVE (46")- MCM 228/228TR - #4765100 AND UP MIE 228- #4929029 AND BELOW
	57-49213		1	BELT, ALTERNATOR DRIVE (44") MIE 228 - SERIAL#4929030 AND UP
24	841-6535		1	CYLINDER BLOCK ASSEMBLY
25	35365		2	SUPPORT, SPARK PLUG LEAD WIRE
26	10-35366		2	SCREW, LEAD WIRE SUPPORT TO CYLINDER (2 1/2")
27	75612		1	COVER ASSEMBLY, CRANKCASE FRONT(STANDARD ROTATION)
	60656		1	COVER ASSEMBLY, CRANKCASE FRONT(OPPOSITE ROTATION)
28	26-59342		1	OIL SEAL, CRANKCASE FRONT COVER(STANDARD ROTATION) 1

CONTINUED ON NEXT PAGE ➡

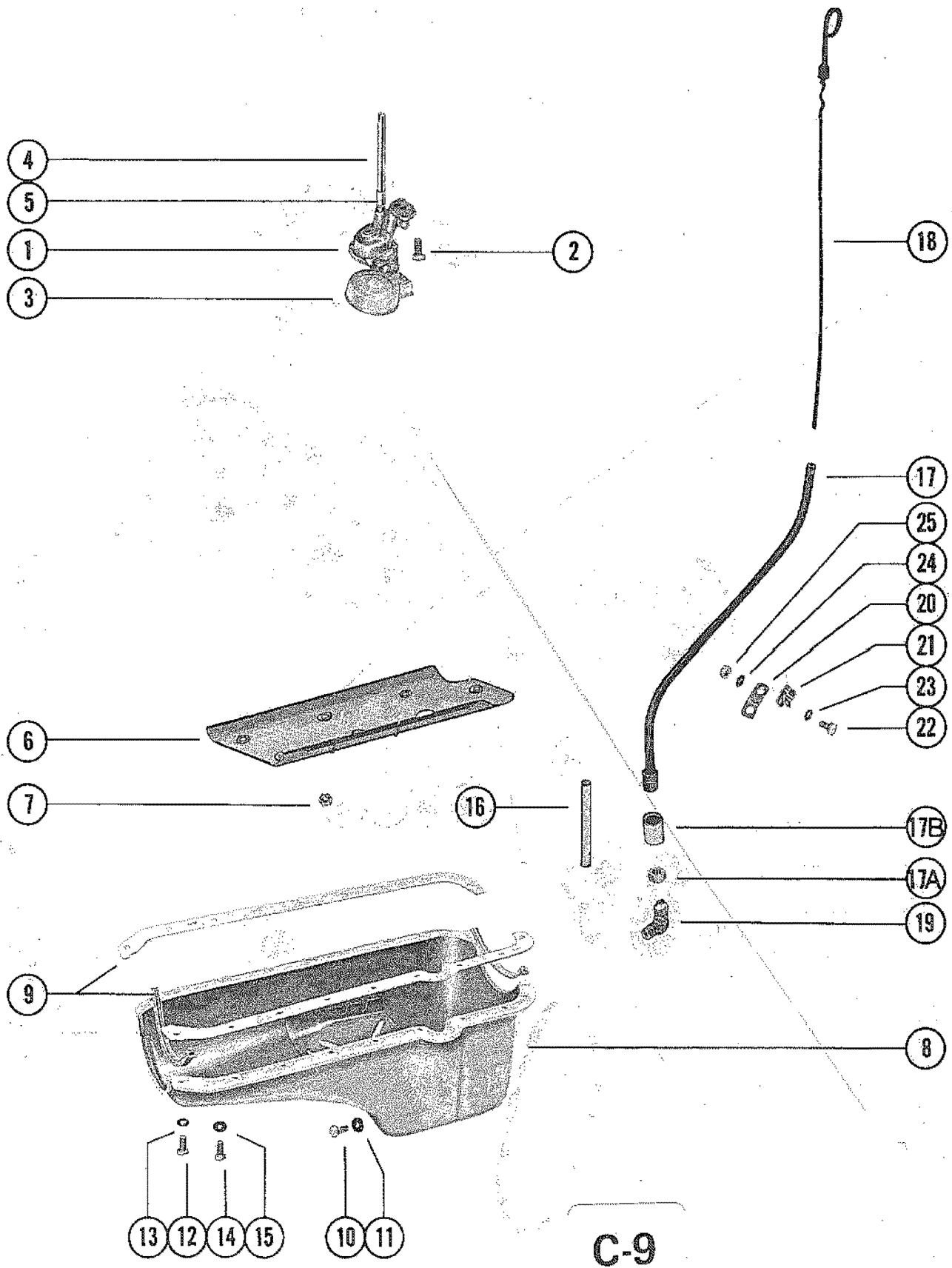
INTAKE MANIFOLD



INTAKE MANIFOLD

REF. NO.	PART NO.	SYM.	QTY.	DESCRIPTION
28	26-34218		1	OIL SEAL, CRANKCASE FRONT COVER(OPPOSITE ROTATION)
29	27-34895		1	GASKET, CRANKCASE FRONT END COVER
30	10-34277		10	SCREW, CRANKCASE FRONT END COVER TO BLOCK (7/16")
31	75435A1		1	POINTER, TIMING
32	53338		1	FILTER VALVE ASSEMBLY MCM 228 AND MCM 228 TR
33	10-54786		2	SCREW, FILTER VALVE TO CYLINDER BLOCK MCM 228 AND MCM 228 TR
34	52731		1	OIL FILTER ASSEMBLY MCM 228 AND MCM 228 TR

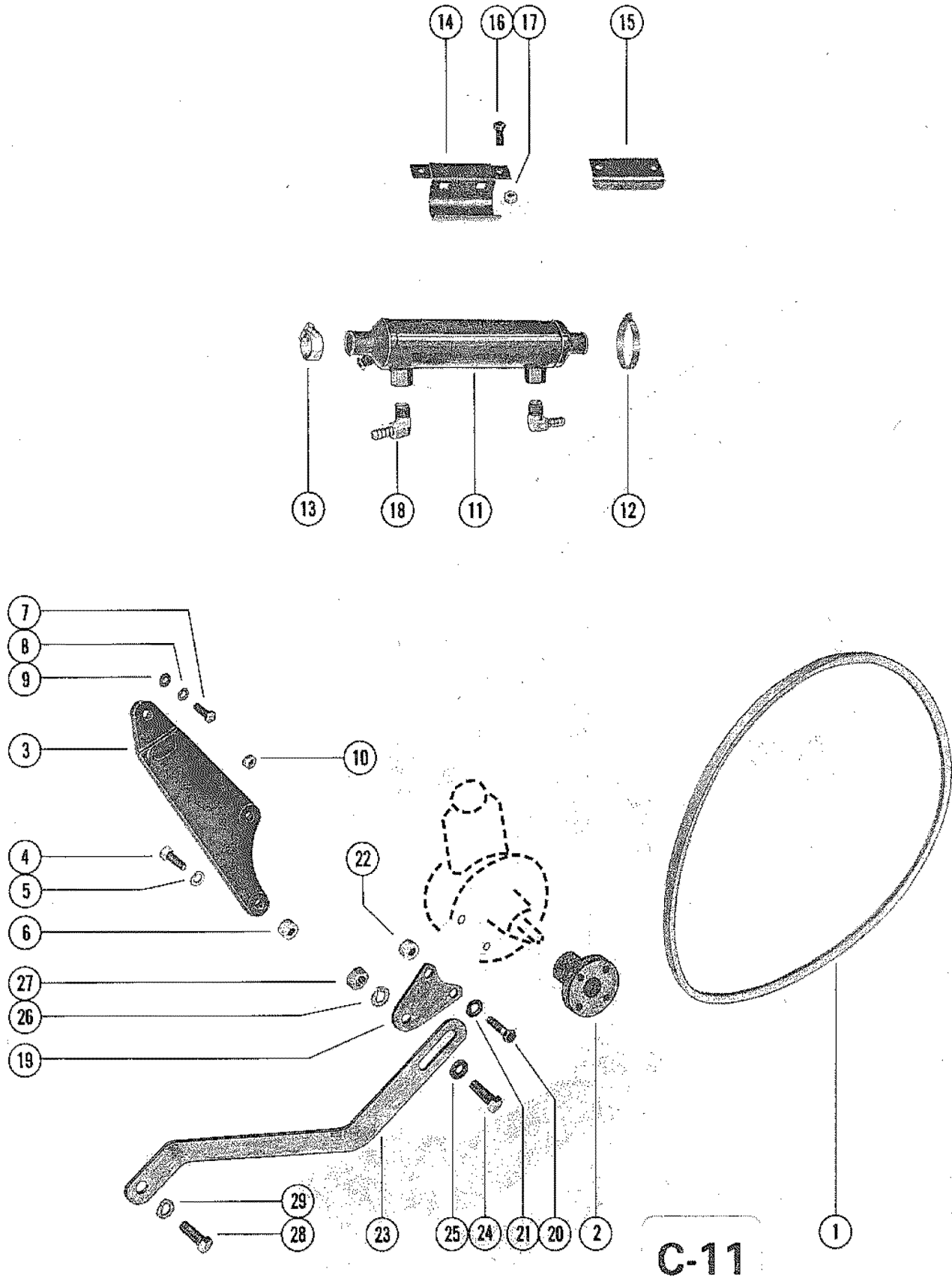
OIL PAN AND OIL PUMP



OIL PAN AND OIL PUMP

REF. NO.	PART NO.	SYM.	QTY.	DESCRIPTION
1	35352		1	OIL PUMP ASSEMBLY
2	10-48333		1	BOLT, OIL PUMP TO CYLINDER BLOCK (2")
3	72645		1	SCREEN ASSEMBLY, OIL PUMP
4	36184		1	SHAFT, OIL PUMP TO DISTRIBUTOR
5	23-36183		1	RETAINER, OIL PUMP SHAFT
6	52198		1	BAFFLE, OIL PAN (CYLINDER BLOCK)
7	11-37500		5	NUT, BAFFLE TO CYLINDER BLOCK STUD
8	72643		1	OIL PAN (MCM 228 AND MCM 228 TR)
	71872A1		1	OIL PAN (MIE 228)
9	27-72627		1	GASKET SET, OIL PAN
10	10-49956		1	SCREW, OIL PAN DRAIN MCM 228 AND MCM 228 TR
11	27-49955		1	GASKET, OIL PAN DRAIN SCREW MCM 228 AND MCM 228 TR
12	10-72644		4	SCREW, OIL PAN TO CYL. BLOCK (5/16 - 18 X 7/8") MCM 228 AND MCM 228 TR
13	13-39107		4	WASHER, OIL PAN SCREW MCM 228 AND MCM 228 TR
14	10-34277		14	SCREW, OIL PAN TO CYL. BLOCK (1/4 - 20 X 7/8") MCM 228 AND MCM 228 TR
10	22-36373		1	PLUG, PIPE - OIL PAN DRAIN MIE 228
12	10-55714		4	SCREW, OIL PAN TO BLOCK (5/16 - 18 X 7/8") MIE 228
13	13-26992		4	LOCKWASHER, OIL PAN SCREW MIE 228
14	10-55715		6	SCREW, OIL PAN TO BLOCK (1/4 - 20 X 7/8") MIE 228
15	13-26993		6	LOCKWASHER, OIL PAN SCREW MIE 228
16	72950		1	TUBE, OIL LEVEL (LOWER) MCM 228 AND MCM228 TR
17	32-72539		1	TUBE, OIL LEVEL GAUGE (UPPER) MCM 228 AND MCM228 TR
18	72938		1	GAUGE, OIL LEVEL (DIPSTICK) MCM 228 AND MCM228 TR
17	47492A3		1	TUBE, OIL LEVEL GAUGE MIE 228
17A	11-47626		1	NUT, OIL LEVEL GAUGE TUBE MIE 228
17B	22-78039		1	COUPLING, OIL LEVEL GAUGE TUBE MIE 228
18	57403		1	GAUGE, OIL LEVEL (DIPSTICK) MIE 228
19	22-47625		1	ELBOW, OIL LEVEL GAUGE TO OIL PAN MIE 228
20	48133		1	BRACKET, OIL LEVEL GAUGE MIE 228 SERIAL 00000000-04931219
	79995		1	BRACKET, OIL LEVEL GAUGE MIE 228 SERIAL 04931220-09999999
21	54-47545		1	CLIP, OIL LEVEL TUBE MIE 228
22	10-33524		1	SCREW, CLIP TO BRACKET (5/8") MIE 228
23	13-39107		1	LOCKWASHER, CLIP SCREW MIE 228
24	12-20553		1	WASHER, OIL LEVEL TUBE BRACKET MIE 228
25	11-22053		1	NUT, CLIP SCREW MIE 228

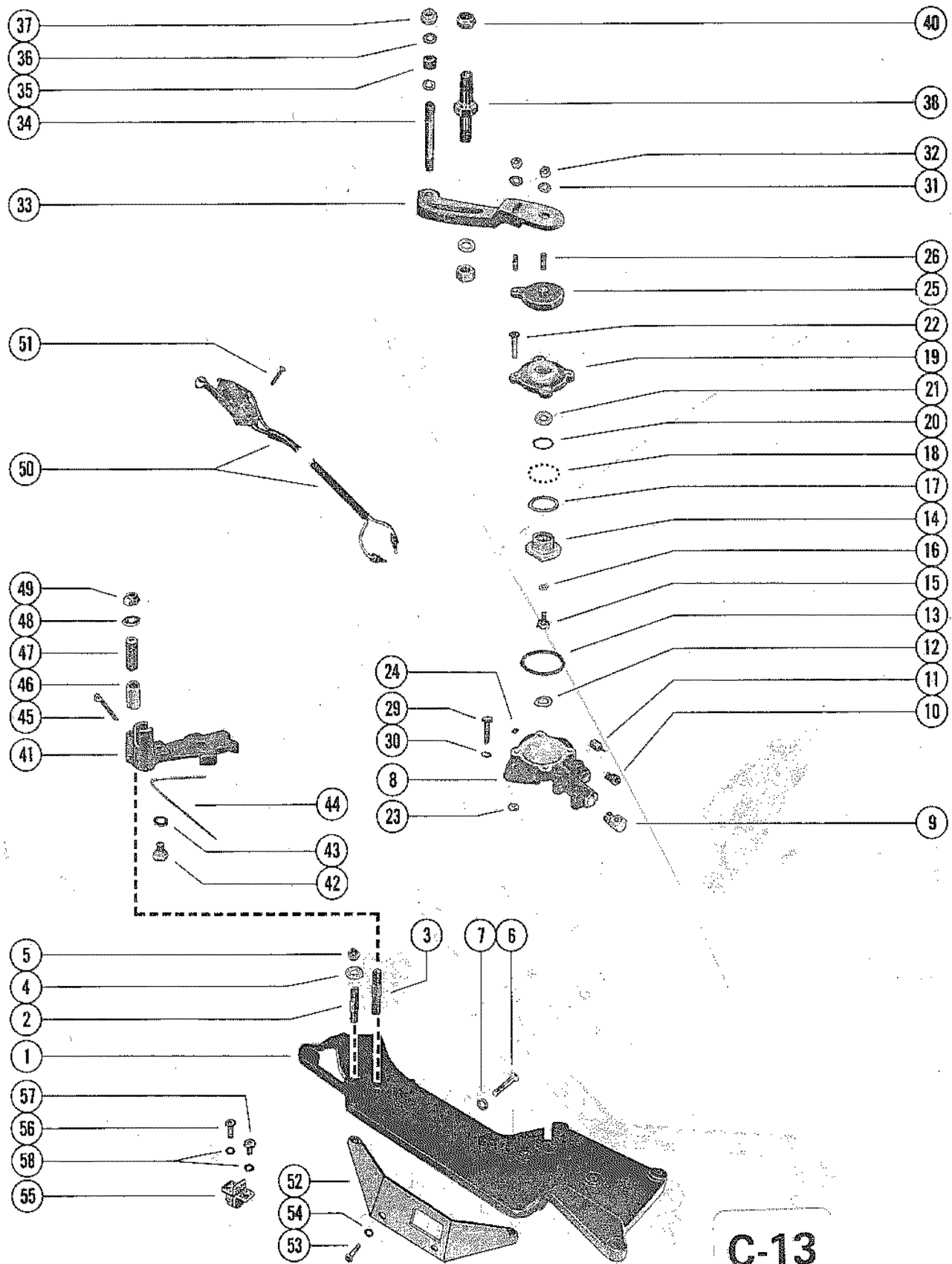
POWER STEERING COMPONENTS



POWER STEERING COMPONENTS

REF. NO.	PART NO.	SYM.	QTY.	DESCRIPTION
1	57-77274		1	V-BELT, STEERING PUMP (32 1/2")
2	73873		1	PULLEY, STEERING PUMP
3	57611		1	BRACKET, PUMP MOUNTING
4	10-32132		1	SCREW, STEERING PUMP TO BRACKET (1 3/4")
5	13-35048		1	LOCKWASHER, STEERING PUMP SCREW
6	23-36534		1	SPACER, STEERING PUMP SCREW
7	10-34354		2	SCREW, BRACKET TO CYLINDER BLOCK (1 1/2")
8	13-35048		2	LOCKWASHER, BRACKET SCREW
9	12-38622		1	WASHER, BRACKET SCREW (FOR SLOT)
10	11-86317		1	NUT, STEERING PUMP STUD
11	49770		1	OIL COOLER SERIAL 00000000-05022276
	77912		1	OIL COOLER SERIAL 05022277-09999999
12	54-32781		2	CLAMP, OIL COOLER TO BRACKET
13	54-64324		2	CLAMP, HOSE ATTACHING TO OIL COOLER
14	49748A1		1	BRACKET ASSEMBLY, OIL COOLER
15	49735		1	BRACKET, OIL COOLER MOUNT
16	10-20359		1	SCREW, OIL COOLER MOUNT BRACKET
17	11-52412		1	NUT, MOUNT BRACKET SCREW
18	22-37760		2	ELBOW, OIL COOLER
19	85011A1		1	BRACKET, HYDRAULIC PUMP
20	10-26487		2	SCREW, BRACKET TO HYDRAULIC PUMP
21	13-35048		2	LOCKWASHER, BRACKET SCREW
22	23-36365		2	SPACER, BRACKET SCREW
23	77570		1	BRACE, POWER STEERING PUMP
24	10-37612		1	SCREW, BRACE TO BRACKET (1 1/4")
25	12-34714		1	WASHER, BRACE SCREW
26	13-35048		1	LOCKWASHER, BRACE SCREW
27	11-32219		1	NUT, BRACE SCREW(EARLY STYLE ENGINES)
28	10-76926		1	SCREW, BRACE TO ENGINE (7/8")
29	13-35048		1	LOCKWASHER, BRACE SCREW

SHIFT BRACKET AND REVERSE LOCK VALVE



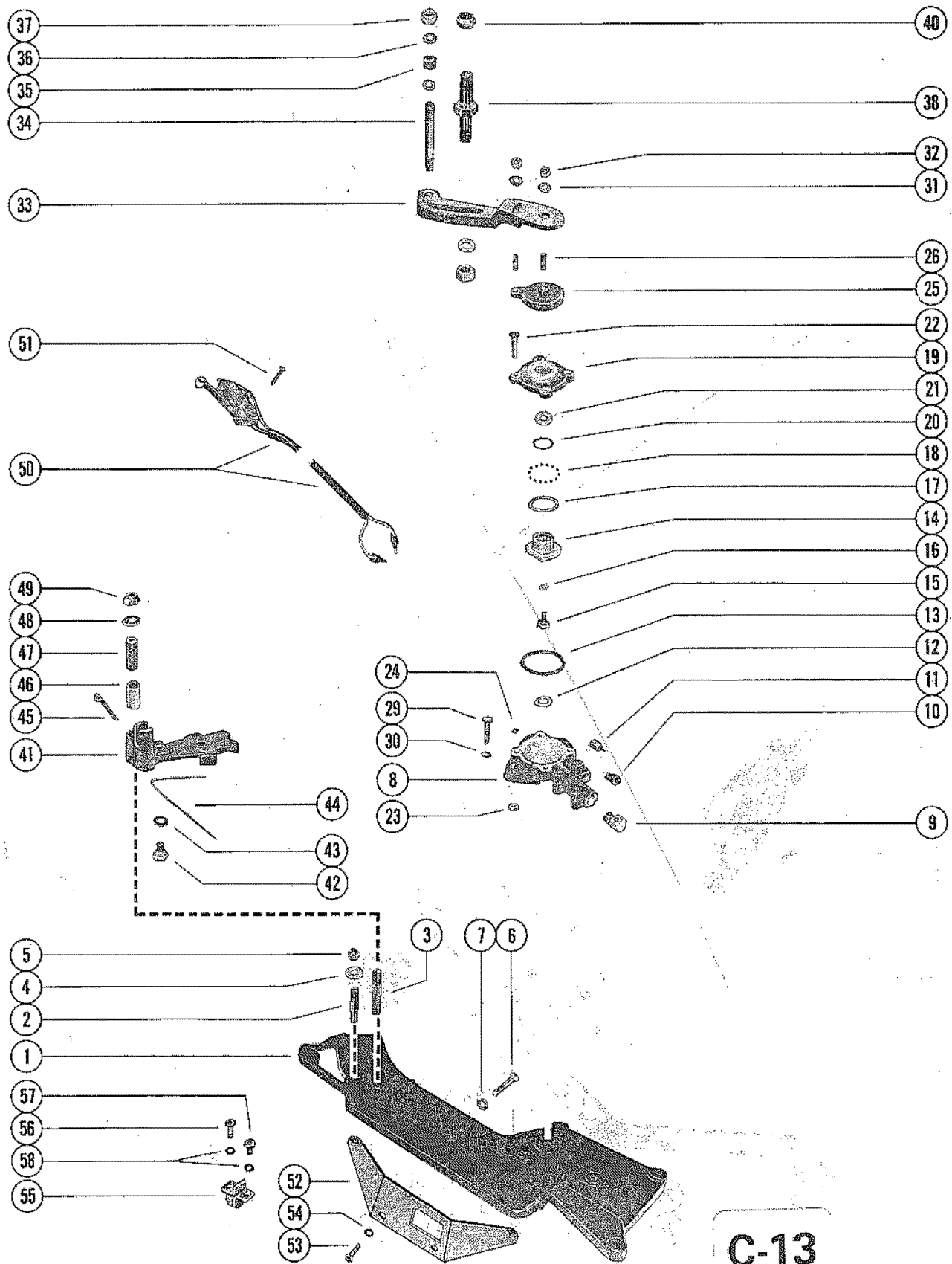
C-13

SHIFT BRACKET AND REVERSE LOCK VALVE

REF. NO.	PART NO.	SYM.	QTY.	DESCRIPTION
1	66057A3		1	SHIFT BRACKET ASSEMBLY
2	16-79661		1	STUD, SHIFT CABLE TO BRACKET (1 3/4")
3	16-73563		1	STUD, SWITCH ACTUATING ARM TO SHIFT BRACKET (2 5/16")
4	12-39143		2	WASHER, SHIFT CABLE TO LEVER STUD
5	11-20361		2	NUT, SHIFT BRACKET STUD
6	10-52498		2	SCREW, SHIFT BRACKET TO FLYWHEEL HOUSING (1 1/2")
7	12-22248		2	WASHER, SHIFT BRACKET ATTACHING SCREW
8	76812A4		1	REVERSE LOCK VALVE ASSEMBLY
9	22-45794		1	ELBOW, HYDRAULIC TRIM HOSE TO REVERSE LOCK VALVE
10	22-48167		1	CONNECTOR, ELBOW
11	45709		1	FOLLOWER, CAM
12	13-25906		1	WASHER, WAVE - REVERSE LOCK VALVE
13	25-45710		1	"O" RING, REVERSE LOCK VALVE
14	45526		1	CAM, REVERSE LOCK VALVE
15	10-46736		1	SCREW, CAM TO CAM LEVER (1/2")
16	13-26996		1	LOCKWASHER, CAM SCREW
17	12-45713		1	WASHER, RETAINING - BALL TO VALVE COVER
18	30-45712		30	BALL, VALVE COVER
19	45528A2		1	COVER ASSEMBLY, REVERSE LOCK VALVE
20	25-45711		1	"O" RING, VALUE COVER
21	12-59570		1	WASHER, VALVE COVER
22	10-45716		4	SCREW, COVER TO REVERSE LOCK VALVE (15/16")
23	11-20110		4	NUT, COVER SCREW
24	22-52644		1	PLUG, PIPE - REVERSE LOCK VALVE
25	46732A1		1	LEVER ASSEMBLY, CAM
26	16-45715		2	STUD, SHIFT CONTROL LEVER TO CAM LEVER (23/32")
29	10-25299		2	SCREW, REVERSE LOCK VALVE TO SHIFT SUPPORT BRACKET (3/4")
30	13-21804		2	LOCKWASHER, REVERSE LOCK VALVE SCREW
31	12-21273		2	WASHER, CAM LEVER STUD
32	11-20110		2	NUT, SHIFT CONTROL LEVER TO CAM LEVER STUD
33	66397A1		1	LEVER ASSEMBLY, SHIFT CONTROL - CAM LEVER
34	16-63081		1	STUD, SHIFT CABLE TO LEVER
35	23-31866		1	SPACER, SHIFT LEVER STUD
36	12-39143		2	WASHER, SHIFT LEVER STUD
37	11-20361		1	NUT, SHIFT CABLE TO LEVER STUD
38	16-63335		1	STUD, SHIFT CABLE TO SHIFT LEVER
40	11-63341		1	TEE NUT, SHIFT CABLE STUD
41	45517A2		1	ARM ASSEMBLY, SWITCH ACTUATING
42	10-33231		1	SCREW, TENSION SPRING TO ARM
43	12-26825		1	WASHER, TENSION SPRING SCREW
44	24-45599		1	SPRING, TENSION - SWITCH ACTUATING ARM

CONTINUED ON NEXT PAGE ➡

SHIFT BRACKET AND REVERSE LOCK VALVE

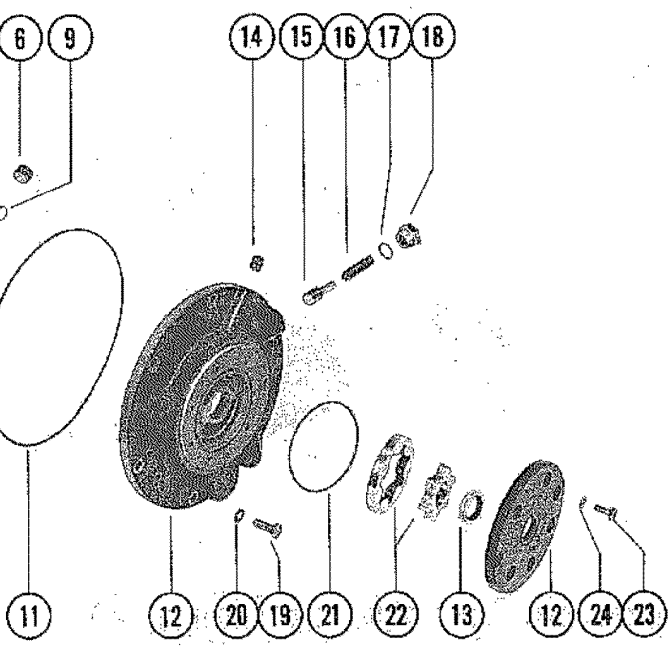
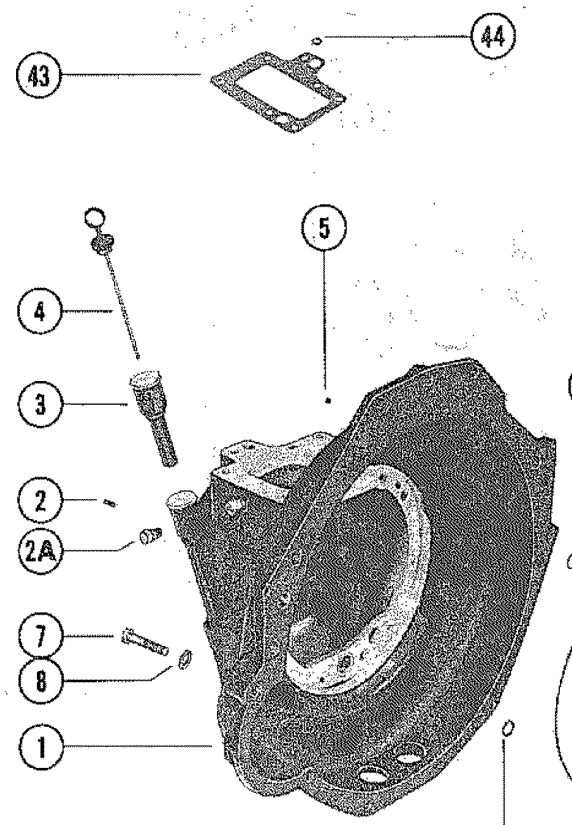
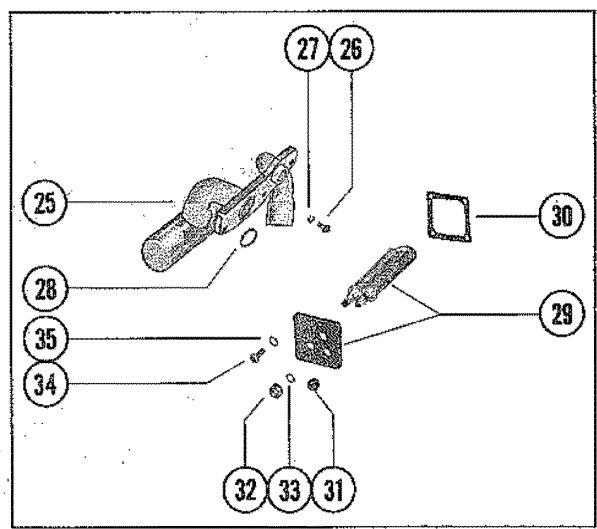
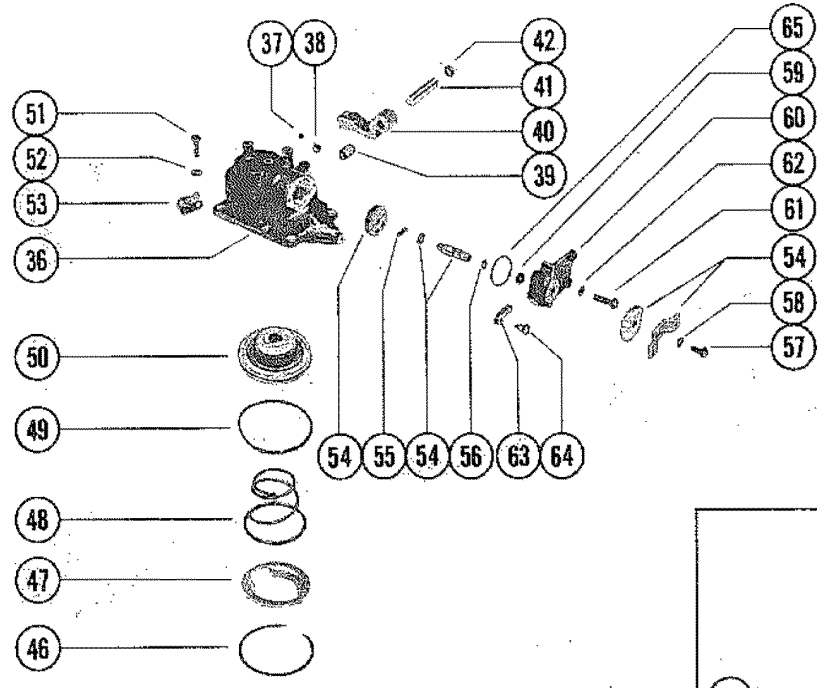


C-13

SHIFT BRACKET AND REVERSE LOCK VALVE

REF. NO.	PART NO.	SYM.	QTY.	DESCRIPTION
45	18-32857		1	COTTER PIN, SHIFT ACTUATING CABLE TO ACTUATING ARM
46	23-45600		1	SLEEVE, SWITCH ACTUATING ARM STUD
47	23-37981		1	SPACER, SWITCH ACUATING ARM TO TRANSOM PLATE
48	12-26825		2	WASHER, SWITCH ACTUATING ARM STUD
49	11-35814		1	NUT, SWITCH ACTUATING ARM STUD
50	39670A22		1	SWITCH ASSEMBLY, CUT-OUT - TRANSOM PLATE(MCM 228)
	39670A23		1	SWITCH ASSEMBLY, CUT-OUT - TRANSOM PLATE(MCM 228 TR)
51	10-30902		2	SCREW, SWITCH ASSEMBLY TO TRANSOM PLATE (3/4")
52	66059		1	BRACKET, MOUNTING - SHIFT
53	10-35386		3	SCREW, SHIFT BRACKET ATTACHING
54	13-39107		3	LOCKWASHER, SHIFT BRACKET ATTACHING SCREW
55	76-66986		1	TERMINAL BLOCK, SHIFT BRACKET
56	10-24637		1	SCREW, TERMINAL BLOCK (7/8")
57	10-45218		1	SCREW, TERMINAL BLOCK (3/8")
58	13-26996		2	LOCKWASHER, TERMINAL BLOCK SCREW

TRANSMISSION ASSEMBLY (STERN DRIVE) PAGE 1



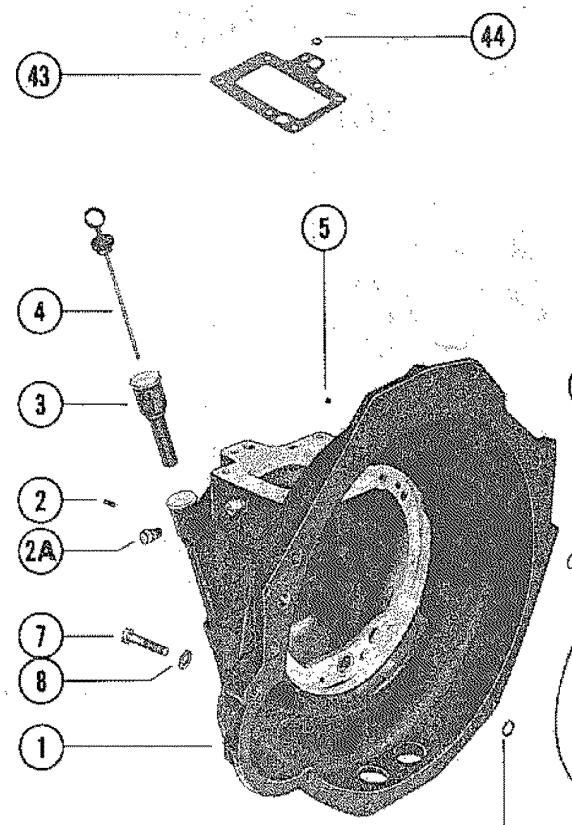
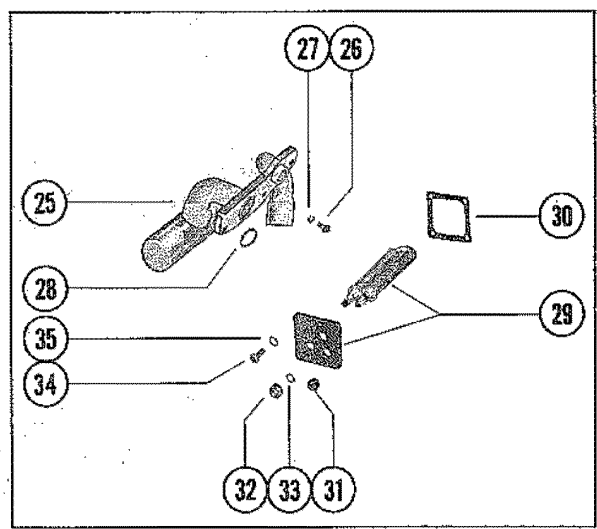
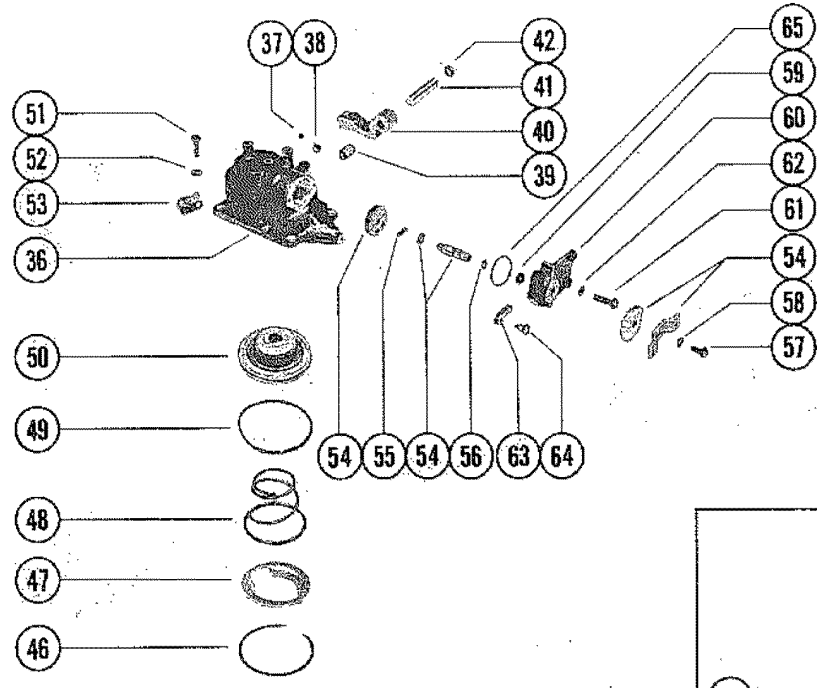
D-1

TRANSMISSION ASSEMBLY (STERN DRIVE) PAGE 1

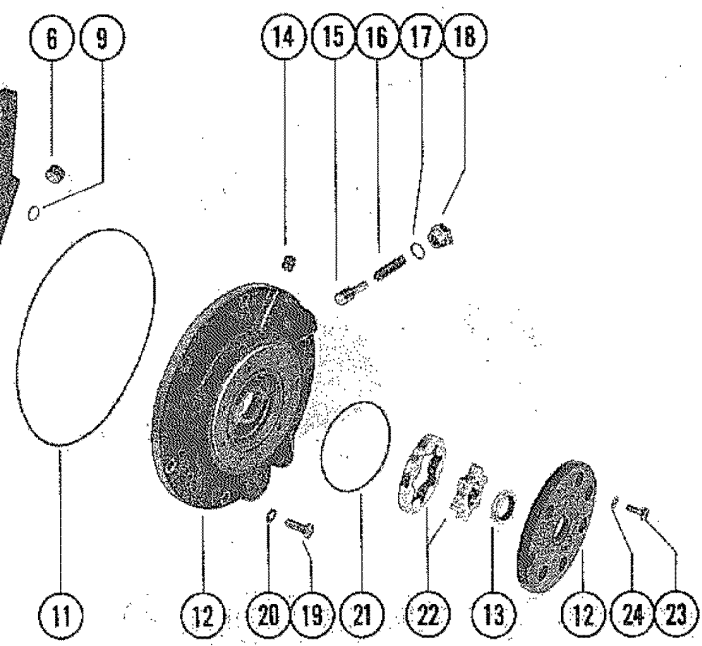
REF. NO.	PART NO.	SYM.	QTY.	DESCRIPTION
-	76925A3		1	TRANSMISSION ASSEMBLY, COMPLETE (B-76925A3 TRANSMISSION ASSEMBLY INCLUDES ALL PARTTS FROM REFERENCE #1 THRU #109 AS LISTED ON PAGES 39 AND 42.)
1	76925A4		1	HOUSING ASSEMBLY, TRANSMISSION
2			1	PIN, SPRING - TRANSMISSION HOUSING
2A	22-47902		1	VENT, TRANSMISSION HOUSING
3	64090A1		1	TUBE ASSEMBLY, DIPSTICK
4	63037		1	DIPSTICK
5			1	BALL, TRANSMISSION HOUSING (1/4")
6	22-36373		1	PLUG, PIPE - TRANSMISSION HOUSING
7	10-34354		4	SCREW, TRANSMISSION HOUSING TO ENGINE (1 1/2") NOT INCLUDED WITH TRANSMISSION ASSEMBLY
	10-32132		2	SCREW, TRANSMISSION HOUSING TO ENGINE (1 3/4") NOT INCLUDED WITH TRANSMISSION ASSEMBLY
	10-35787		1	SCREW, TRANSMISSION HOUSING TO ENGINE (2 1/4") NOT INCLUDED WITH TRANSMISSION ASSEMBLY
8	13-35048		7	LOCKWASHER, TRANSMISSION HOUSING SCREW
9			2	"O" RING, PUMP TO TRANSMISSION HOUSING (7?16" O.D.)
10			1	"O" RING, PUMP TO TRANSMISSION HOUSING (1" O.D.)
11			1	"O" RING, PUMP TO TRANSMISSION HOUSING (8 15?16" O.D.)
12	87813A1		1	PUMP ASSEMBLY
13			1	SEAL, PUMP COVER
14	22-20025		2	PLUG, PUMP
15	62722		1	PISTON, RELIEF VALVE
16	24-62790		1	SPRING, RELIEF VALVE PISTON
17			2	"O" RING, PUMP PLUG (3/4" O.D.)
18	19-62753		2	PLUG, PUMP
19	10-35386		5	SCREW, PUMP TO TRANSMISSION HOUSING (1")
	10-31984		2	SCREW, PUMP TO TRANSMISSION HOUSING (1 3/8")
20	12-45728		7	WASHER, SEALING - PUMP SCREW
21	25-62700		1	"O" RING, PUMP PLUG (3/4" O.D.)
22	87814A2		1	PUMP ASSEMBLY, GEROTOR(ALSO INCLUDES REF. #12)
23	10-60300		7	SCREW, PUMP ATTACHING (3/4")
24	13-26992		7	LOCKWASHER, PUMP SCREW
25	63127A1		1	FLANGE ASSEMBLY, OIL COOLER
26	10-66137		1	SCREW, FLANGE TO TRANSMISSION HOUSING (1/2")
27	13-26992		1	LOCKWASHER, FLANGE SCREW
28			1	"O" RING, FLANGE TO TRANSMISSION HOUSING (1" O.D.)
29	66515A2		1	COVER ASSEMBLY, OIL COOLER
30	27-62724		1	GASKET, OIL COOLER COVER
31	22-36373		1	PLUG, PIPE - COVER
32	11-21612		2	NUT, JAM - OIL COOLER
33			2	"O" RING, OIL COOLER JAM NUT (9/16" O.D.)

CONTINUED ON NEXT PAGE ➡

TRANSMISSION ASSEMBLY (STERN DRIVE) PAGE 1



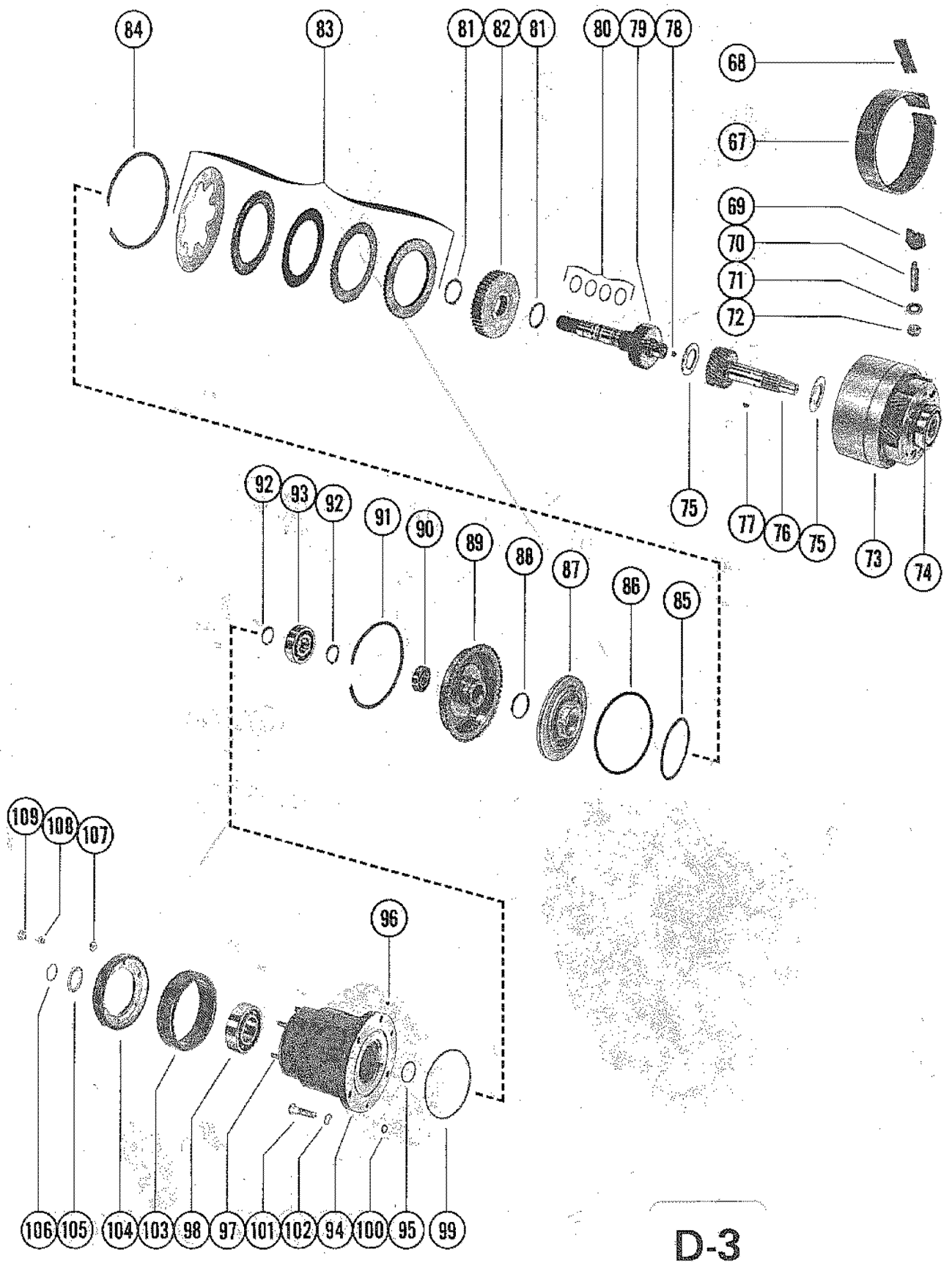
D-1



TRANSMISSION ASSEMBLY (STERN DRIVE) PAGE 1

REF. NO.	PART NO.	SYM.	QTY.	DESCRIPTION
34	10-60300		4	SCREW, COVER TO TRANSMISSION HOUSING (3/4")
35	13-26992		4	LOCKWASHER, COVER SCREW
36	62740A2		1	CONTROL VALVE ASSEMBLY
37			1	BALL, CONTROL VALVE (1/4")
38	22-39072		1	PLUG, CONTROL VALVE
39	23-47797		1	BUSHING, REVERSE CLUTCH LEVER
40	62735		1	LEVER, REVERSE CLUTCH
41	17-62730		1	PIN, LEVER TO CONTROL VALVE
42			1	PLUG, EXPANSION - CONTROL VALVE (9/16")
43			1	GASKET, CONTROL VALVE
44			2	"O" RING, CONTROL VALVE (9/16" O.D.) 2
46			1	SNAP RING
47	62665		1	RETAINER, SPRING
48	24-62677		1	SPRING, SERVO PISTON
49			1	"O" RING, ACCUMULATOR PISTON
50	66981A2		1	PISTON, SERVO
51	10-35386		7	SCREW, CONTROL VALVE TO TRANSMISSION HOUSING (1")
52	13-39107		7	LOCKWASHER, CONTROL VALVE SCREW
53	54-47483		1	"J" CLAMP, CONTROL VALVE SCREW
54	65080A1		1	SHAFT ASSEMBLY, CONTROL VALVE
55	17-24800		1	ROLL PIN, CONTROL SHAFT
56			1	"O" RING, CONTROL SHAFT (7/16" O.D.)
57	10-32417		1	SCREW, LINK AND CAM TO CONTROL SHAFT (5/8")
58	13-26992		1	LOCKWASHER, LINK AND CAM SCREW
59	12-71836		1	WASHER, CONTROL VALVE SHAFT
60	62747		1	CAP, CONTROL VALVE
61	10-65027		2	SCREW, CAP TO CONTROL VALVE (1")
62	13-26992		2	LOCKWASHER, CAM SCREW
63	62742		1	CAM FOLLOWER
64	10-53192		1	SCREW, CAM FOLLOWER TO CAP (1/2")
65			1	"O" RING, CONTROL VALVE CAP (1 9/16" O.D.)

TRANSMISSION ASSEMBLY (STERN DRIVE) PAGE 2



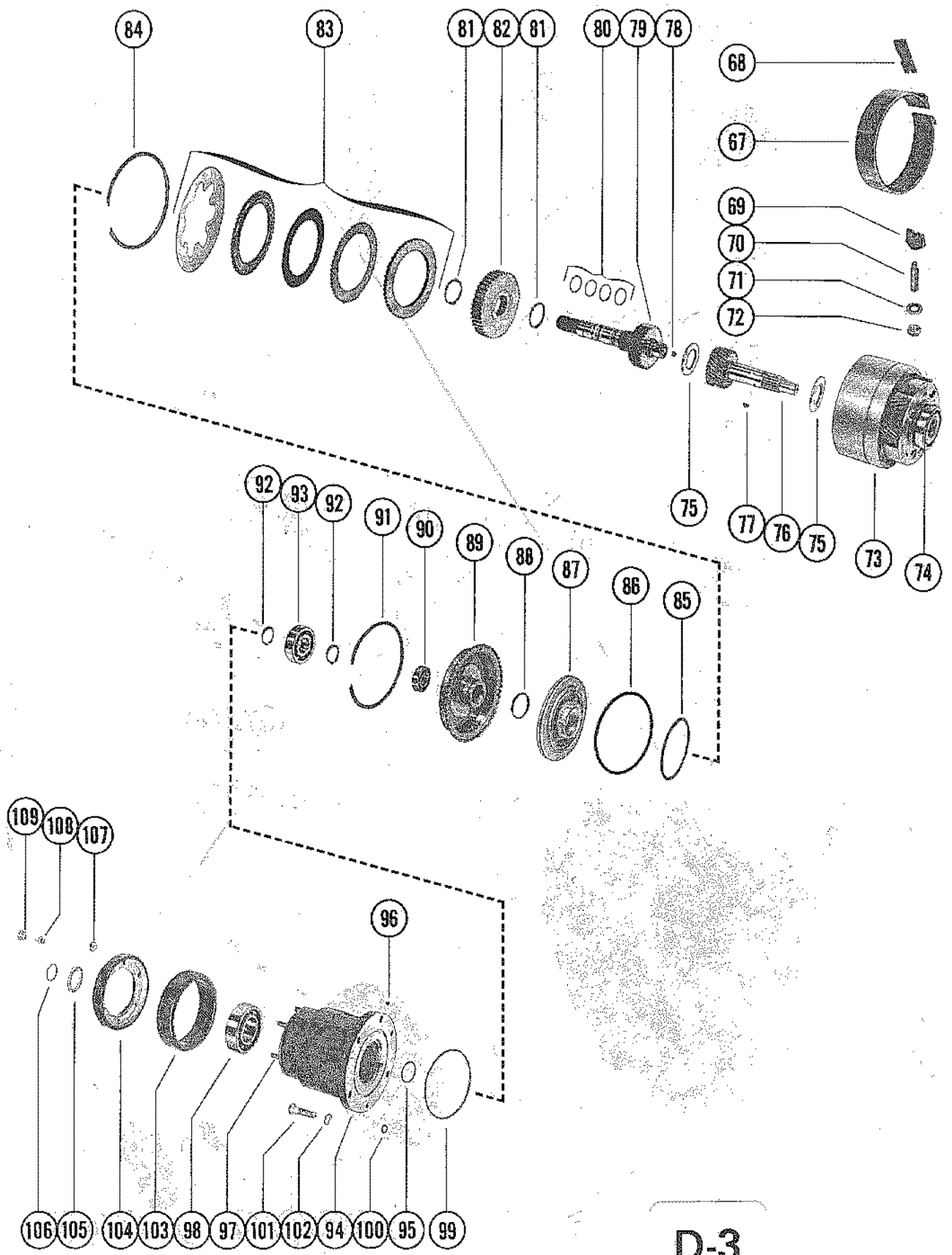
D-3

TRANSMISSION ASSEMBLY (STERN DRIVE) PAGE 2

REF. NO.	PART NO.	SYM.	QTY.	DESCRIPTION
-	76925A3		1	TRANSMISSION ASSEMBLY, COMPLETE
67	62687		1	BAND, CLUTCH
68	62723		1	LINK, CLUTCH BAND
69	62666		1	STRUT, CLUTCH CAND ANCHOR
70	10-62679		1	SCREW, ADJUSTING - CLUTCH BAND
71	12-62781		1	WASHER, SEALING - ADJUSTING SCREW
72	11-21612		1	NUT, JAM - ADJUSTING SCREW
73	62694A3		1	PLANETARY AND CLUTCH DRUM ASSEMBLY
74	30-62699		1	BALL BEARING, PLANETARY AND CLUTCH DRUM
75	31-66723		2	BEARING, THRUST - INPUT SHAFT
76	77448A1		1	SHAFT ASSEMBLY, INPUT
77			1	KEY, INPUT SHAFT
78	22-39072		1	PLUG, PIPE - OUTPUT SHAFT
79	67993A2		1	SHAFT, OUTPUT
80			4	RING SEAL, OUTPUT SHAFT
81			2	SNAP RING, CLUTCH HUB TO OUTPUT SHAFT
82	62693		1	HUB, CLUTCH
83	62691A1		1	CLUTCH PLATE KIT
84			1	SNAP RING, CLUTCH PACK KIT RETAINING
85	62686		1	RING, PRESSURE - CLUTCH SPRING
86			1	SEAL, PISTON - OUTER
87	62667		1	PISTON, CLUTCH
88			1	"O" RING, PISTON - INNER
89	67282A1		1	HOUSING ASSEMBLY, PISTON
90	30-62697		1	BALL BEARING, PISTON HOUSING
91			1	SNAP RING, PISTON HOUSING TO OUTPUT SHAFT
92			2	SNAP RING, BALL BEARING TO OUTPUT SHAFT
93	30-62698		1	BALL BEARING, OUTPUT SHAFT
94	62739A2		1	HOUSING ASSEMBLY, OUTPUT
95			1	SEAL, OUTPUT HOUSING
96			1	BALL, OUTPUT HOUSING (3/16")
97	16-32027		6	STUD, RETAINER TO OUTPUT HOUSING
98	30-62780		1	BALL BEARING, OUTPUT HOUSING
99			1	"O" RING, OUTPUT HSG./TRANSMISSION HSG. (3 7/16" O.D.)
100			1	"O" RING, OIL PRESSURE - OUTPUT HOUSING (7/16" O.D.)
101	10-53016		6	SCREW, OUTPUT HOUSING TO TRANSMISSION HOUSING (1 1/4")
102	13-39107		6	LOCKWASHER, OUTPUT HOUSING SCREW
103	62734		1	MOUNT, RUBBER - OUTPUT HOUSING (REAR)
104	65989		1	RETAINER, BALL BEARING

CONTINUED ON NEXT PAGE ➡

TRANSMISSION ASSEMBLY (STERN DRIVE) PAGE 2

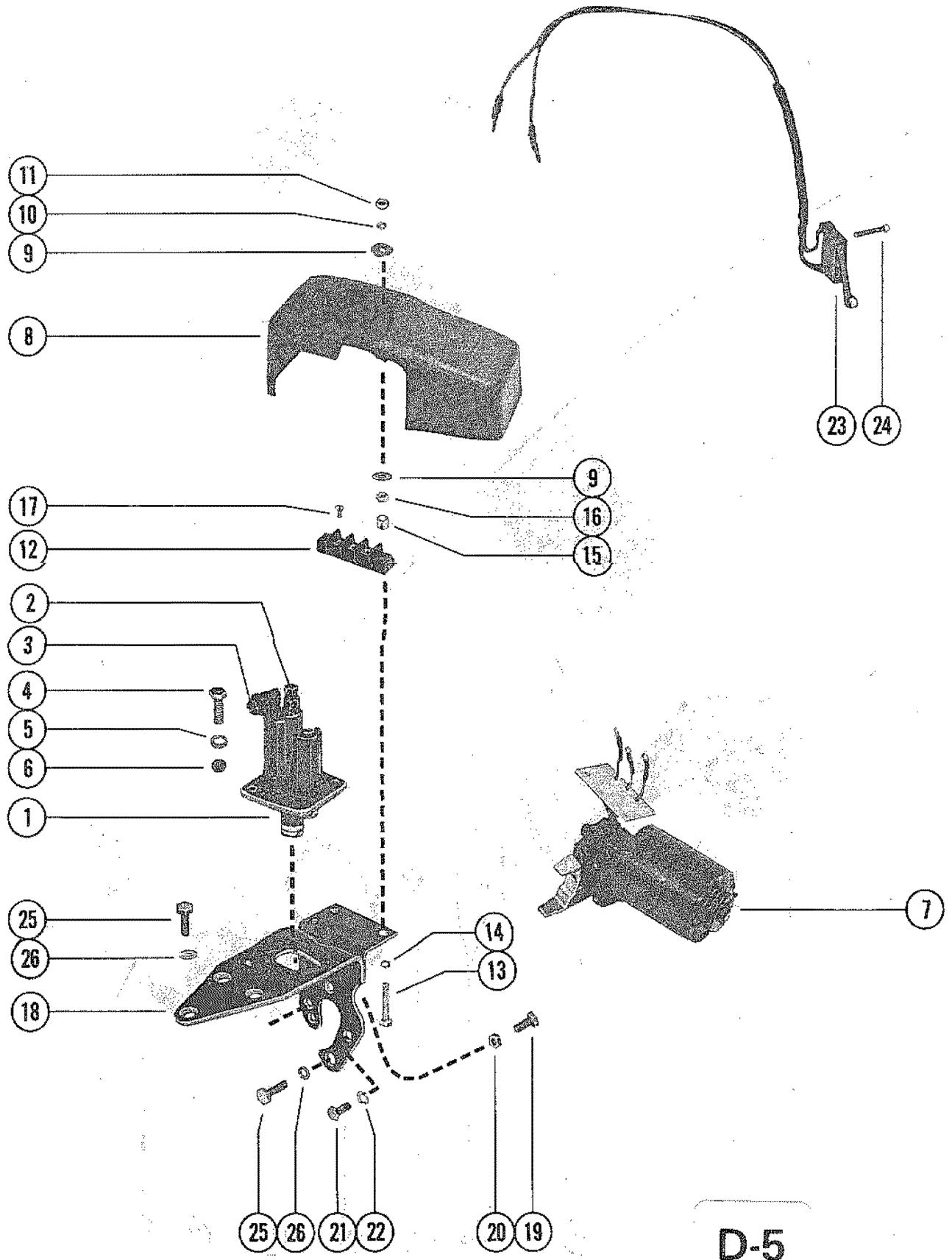


D-3

TRANSMISSION ASSEMBLY (STERN DRIVE) PAGE 2

REF. NO.	PART NO.	SYM.	QTY.	DESCRIPTION
105	12-62684		1	WASHER, THRUST - OUTPUT HOUSING
106			1	"O" RING, OUTPUT HOUSING (7/8" O.D.)
107	11-24652		6	NUT, RETAINER STUD
108	22-31345		1	FITTING, GREASE - RETAINER
109	29359		1	LUBRICAP, GREASE FITTING

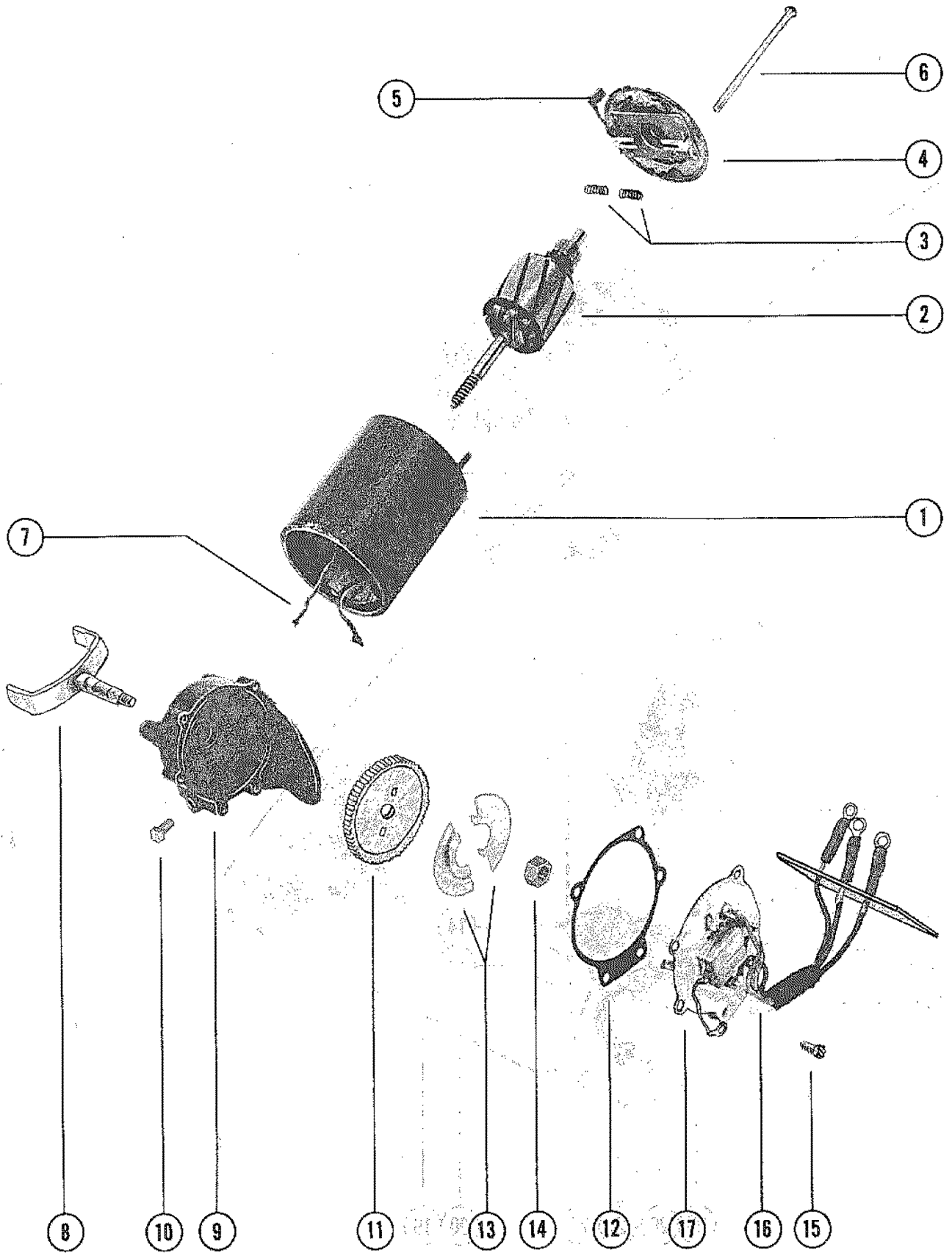
REVERSE LOCK VALVE AND SHIFT ACTUATOR (MCM 228 TR)



REVERSE LOCK VALVE AND SHIFT ACTUATOR (MCM 228 TR)

REF. NO.	PART NO.	SYM.	QTY.	DESCRIPTION
1	54951A2		1	REVERSE LOCK VALVE ASSEMBLY
2	22-48166		1	FITTING, STRAIGHT - REVERSE LOCK VALVE
3	22-52666		1	ELBOW, REVERSE LOCK VALVE
4	10-22485		2	SCREW, REVERSE LOCK VALVE TO CONTROL VALVE (3/4")
5	12-20583		2	WASHER, REVERSE LOCK VALVE
6	11-46887		2	NUT, REVERSE LOCK VALVE SCREW
7	69392		1	SHIFT ACTUATOR ASSEMBLY(SEE PAGE 44 FOR BREAKDOWN)
8	63038		1	COVER, SHIFT ACTUATOR
9	12-22887		4	WASHER, TERMINAL BLOCK AND COVER SCREW
10	13-26996		2	LOCKWASHER, TERMINAL BLOCK AND COVER SCREW
11	11-20645		2	NUT, TERMINAL BLOCK AND COVER SCREW
12	86-62993		1	TERMINAL BLOCK, MOUNTING BRACKET
13	10-24233		2	SCREW, TERMINAL BLOCK AND COVER TO BRACKET (1 3/8")
14	13-26996		2	LOCKWASHER, TERMINAL BLOCK AND COVER SCREW
15	23-61526		2	SPACER, TERMINAL BLOCK AND COVER SCREW
16	11-24656		2	NUT, TERMINAL BLOCK AND COVER SCREW
17	10-36046		3	SCREW, HARNESS TO TERMINAL BLOCK (1/4")
18	62745A1		1	BRACKET ASSEMBLY, MOUNTING - SHIFT ACTUATOR
19	10-69028		1	SCREW, STOP (3/4")
20	11-46887		1	NUT, STOP SCREW
21	10-34290		3	SCREW, SHIFT ACTUATOR TO MOUNTING BRACKET (5/8")
22	13-26992		3	LOCKWASHER, SHIFT ACTUATOR SCREW
23	84-70958A1		1	SWITCH ASSEMBLY, CUT-OUT
24	10-30902		2	SCREW, SWITCH TO CONTROL VALVE CAP (3/4")
25	10-25299		4	SCREW, MOUNTIN BRACKET TO CONTROL VALVE (3/4")
26	13-39107		4	LOCKWASHER, CONTROL VALVE BRACKET SCREW

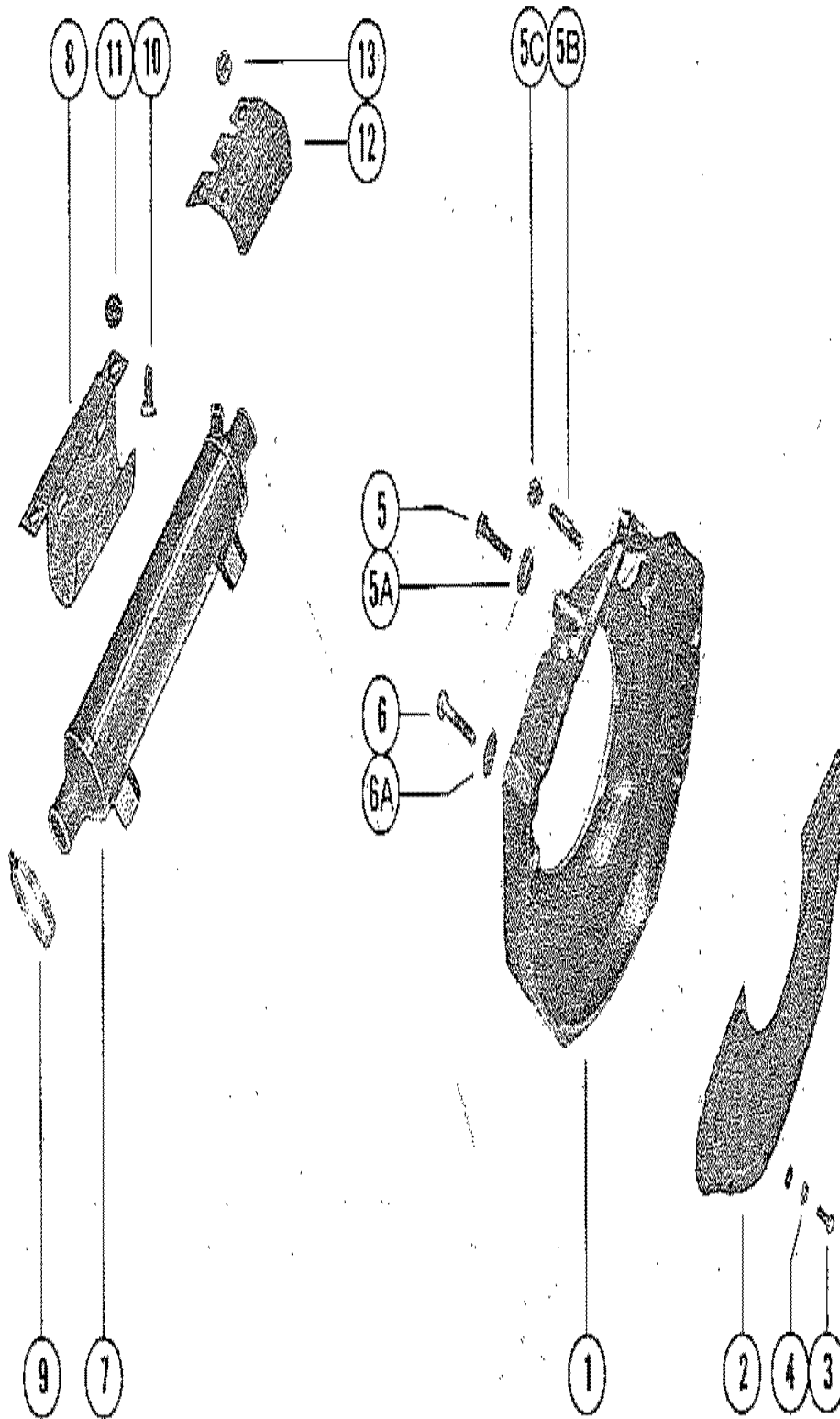
SHIFT ACTUATOR ASSEMBLY (MCM 228 TR)



SHIFT ACTUATOR ASSEMBLY (MCM 228 TR)

REF. NO.	PART NO.	SYM.	QTY.	DESCRIPTION
1	69392		1	SHIFT ACTUATOR ASSEMBLY, COMPLETE(SEE NOTE BELOW)
2	392-4949		1	ARMATURE
3	392-4960		1	SPRING SET, BRUSH
4	392-4955		1	HEAD ASSEMBLY, COMMUTATOR END
5	392-4956		1	BRUSH SET
6	392-4962		2	THRU BOLT
7	392-5928		1	FIELD COIL ASSEMBLY
8	392-4951		1	CRANK ARM ASSEMBLY
9	392-4957		1	HEA ASSEMBLY, DRIVE END
10	392-4959		1	SCREW AND DISC PACKAGE
11	392-4952		1	GEAR AND GASKET PACKAGE
12	392-4953		1	GASKET, COVER
13	392-4958		2	PLATE, CAM
14	11-20890		1	NUT, CRANK ARM
15	10-47220		4	SCREW, COVER ATTACHING (3/8")
16	392-5699		1	HARNESS ASSEMBLY (3 WIRE LEAD)
17	392-6375		1	SWITCH PLATE (INCLUDES 1 PIECE OF REF. NO. 12)

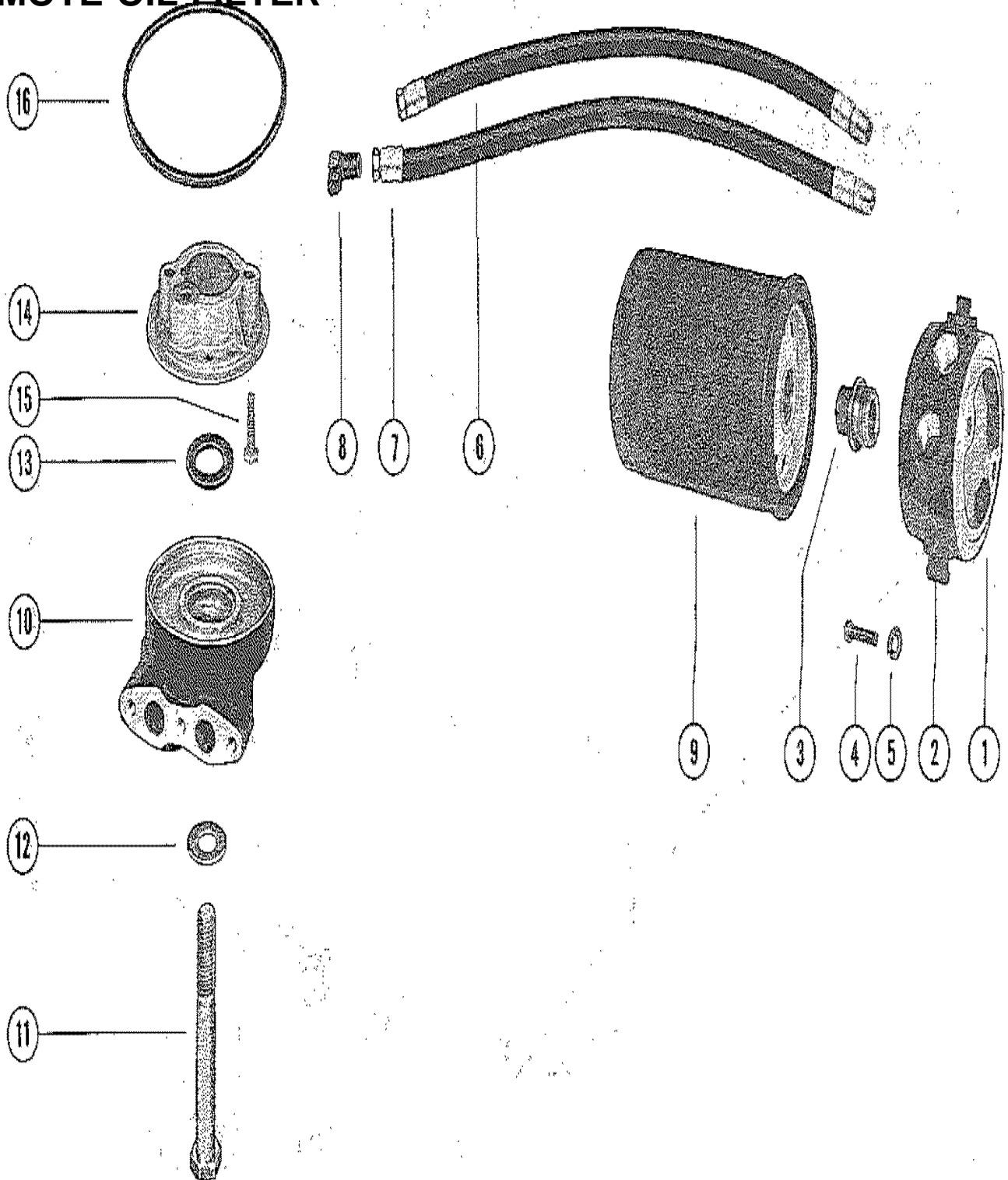
FLYWHEEL HOUSING AND OIL COOLER



FLYWHEEL HOUSING AND OIL COOLER

REF. NO.	PART NO.	SYM.	QTY.	DESCRIPTION
1	63828		1	HOUSING, FLYWHEEL SERIAL 00000000-04929029
	77383		1	HOUSING, FLYWHEEL SERIAL 04929030-09999999
2	63833		1	COVER, FLYWHEEL HOUSING
3	10-20031		4	SCREW, COVER TO FLYWHEEL HOUSING (1/2")
4	13-26992		4	LOCKWASHER, COVER SCREW
5	10-34353		2	SCREW, FLYWHEEL HOUSING TO ENGINE (1")
	10-48424		2	SCREW, FLYWHEEL HOUSING TO ENGINE (1 5/8")
5A	13-37459		5	LOCKWASHER, FLYWHEEL HOUSING SCREW
5B	16-64066		1	STUD, FLYWHEEL HOUSING TO ENGINE SERIAL 04929030-09999999
5C	11-32219		1	NUT, FLYWHEEL HOUSING TO ENGINE STUD SERIAL 04929030-09999999
6	10-63826		2	SCREW, FLYWHEEL HOUSING TO ENGINE (2 1/2")
6A	12-20572		1	WASHER, FLYWHEEL HOUSING TO ENGINE SCREW
7	63832--1		1	COOLER, OIL (9")
	63832--2		1	COOLER, OIL (12") - V-DRIVE ONLY
8	49748A1		1	BRACKET ASEMBLY, OIL COOLER
9	54-32781		2	CLAMP, OIL COOLER TO BRACKET
10	10-27165		1	SCREW, OIL COOLER BRACKET (3/4")
11	11-52412		1	NUT, OIL COOLER BRACKET SCREW
12	49735		1	BRACKET, OIL COOLER
13	23-36365		2	SPACER, OIL COOLER BRACKET

REMOTE OIL FILTER



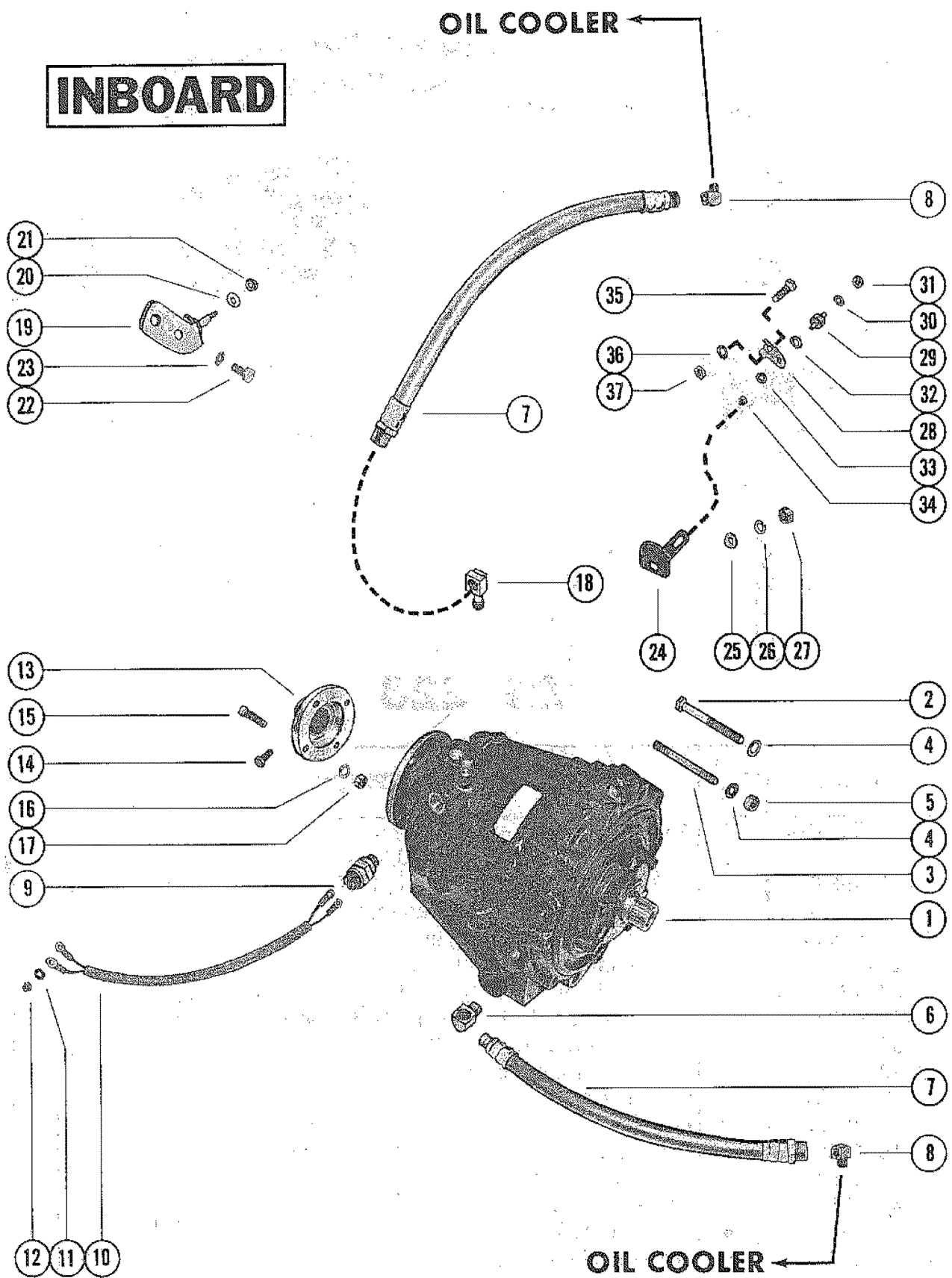
MIE 228

REMOTE OIL FILTER

REF. NO.	PART NO.	SYM.	QTY.	DESCRIPTION
1	78610A1		1	ADAPTOR, OIL FILTER(NOT AS SHOWN)
2	22-36373		1	PLUG, PIPE - ADAPTOR (3/8-18)
	22-36382		1	PLUG, PIPE - ADAPTOR (1/4-18) SERIAL 04929030-09999999
3	32720		1	FITTING, OIL FILTER TO ADAPTOR
4	10-48424		2	SCREW, BRACKET TO ENGINE (1 5/8")
5	13-37459		3	LOCKWASHER, BRACKET SCREW
6	32-48944--8		1	HOSE, OIL INLET (14") SERIAL 00000000-04929029
	32-48944-11		1	HOSE, OIL INLET (16 1/2") SERIAL 04929030-09999999
7	32-48944--9		1	HOSE, OIL INLET (15 1/2")
8	22-63825		2	ELBOW, OIL ADAPTOR (90 DEGREES)
9	52731		1	OIL FILTER
10	76792		1	ADAPTOR, OIL
11	10-47409		1	SCREW, OIL ADAPTOR TO CYLINDER BLOCK (5")
12	12-47523		1	WASHER, OIL ADAPTOR SCREW
13	26-73522		1	SEAL, OIL ADAPTOR
14	54785		1	ADAPTOR ASSEMBLY, OILL FILTER BY-PASS
15	10-54786		2	SCREW, ADAPTOR TO CYLINDER BLOCK
16	25-33756		1	RING, SEALING-ADAPTOR AND VALVE

TRANSMISSION AND RELATED PARTS (INBOARD)

INBOARD



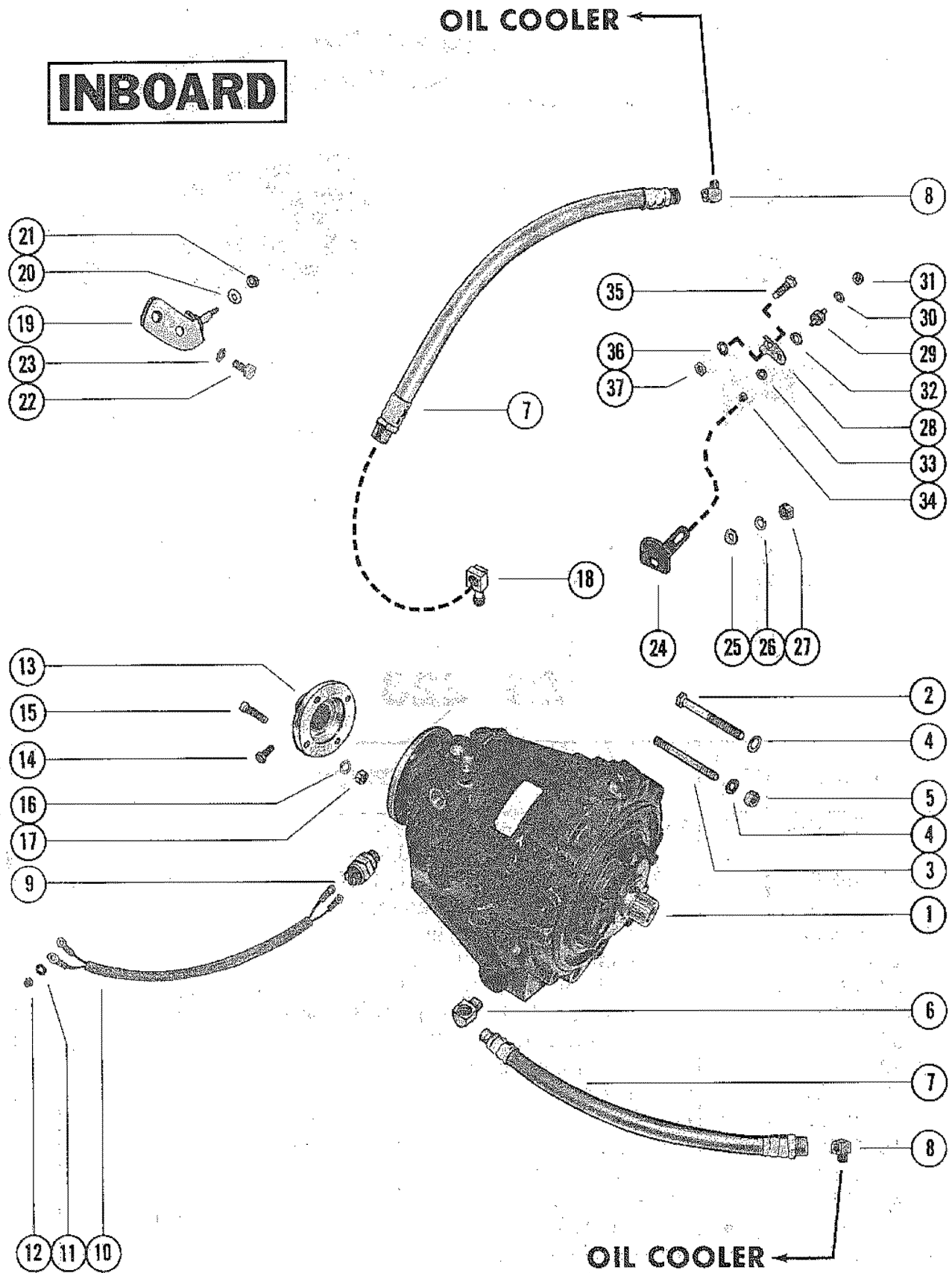
TRANSMISSION AND RELATED PARTS (INBOARD)

REF. NO.	PART NO.	SYM.	QTY.	DESCRIPTION
1	47805		1,,,	TRANSMISSION (DIRECT DRIVE)
	47806		,1,,,	TRANSMISSION (1.523:1 REDUCTION)
	47807		,,1,,	TRANSMISSION 1.523:1 REDUCTION
	47808		,,,1,	TRANSMISSION (2.57:1 REDUCTION)
	47809		,,,,1	TRANSMISSION (2.909:1 REDUCTION)
2	10-47724		4,,,	SCREW, TRANSMISSION TO ENGINE (3")
	10-60179		,6,6,6,6	SCREW, TRANSMISSION TO ENGINE (3 1/2")
3	16-57921		2,,,	STUD, TRANSMISSION TO ENGINE (4")
4	13-32993		,6,6,6,6,6	LOCKWASHER, TRANSMISSION SCREW AND STUD
5	11-22024		2,,,	NUT, TRANSMISSION STUD
6	22-47629		,1,1,1,1	ELBOW, HOSE TO TRANSMISSION (90 DEGREES)
	22-63835		,1,1,1,1	ELBOW, HOSE TO TRANSMISSION (45 DEGREES)
7	32-47516-11		1,,,	HOSE, TRANSMISSION TO OIL COOLER (28")
	32-47516-12		,1,1,1,1	HOSE, TRANSMISSION TO OIL COOLER (20")
	32-47516--6		1,1,1,1,1	HOSE, TRANSMISSION TO OIL COOLER (30")
8	22-47629		2,2,2,2,2	ELBOW, HOSE TO OIL COOLER
9	47613		1,1,1,1,1	SWITCH, NEUTRALL SAFTEY
10	84-73125A1		1,1,1,1,1	HARNESS NEUTRAL SAFTEY SWITCH
11	13-26996		2,2,2,2,2	LOCKWASHER, HARNESS ATTACHING
12	11-68219		2,2,2,2,2	NUT, HARNESS ATTACHING
13	48381A1		OPT,,,,	FLANGE ASSEMBLY (1") SEE NOTE A
	48382A1		OPT,,,,	FLANGE ASSEMBLY (1 1/8") SEE NOTE A
	48383A1		OPT,,,,	FLANGE ASSEMBLY (1 1/4") SEE NOTE A
	48384A1		OPT,,,,	FLANGE ASSEMBLY (1 3/8") SEE NOTE A
	48385A1		OPT,,,,	FLANGE ASSEMBLY (1 1/2") SEE NOTE A
	48386A1		OPT,OPT,0	FLANGE ASSEMBLY (1") SEE NOTE B
	48387A1		OPT,OPT,0	FLANGE ASSEMBLY (1 1/8") SEE NOTE B
	48388A1		OPT,OPT,0	FLANGE ASSEMBLY (1 1/4") SEE NOTE B
	48389A1		OPT,OPT,0	FLANGE ASSEMBLY (1 3/8") SEE NOTE B
48390A1		OPT,OPT,0	FLANGE ASSEMBLY (1 1/2") SEE NOTE B	
14	10-60168		2,,,	SCREW, FLANGE TO PROPELLER SHAFT (1 1/2") SEE NOTE A AND B
	10-60171		,2,2,2,2	SCREW, FLANGE TO PROPELLER SHAFT (1 1/4") SEE NOTE A AND B
	10-60170		,2,2,2,2	SCREW, FLANGE TO PROPELLER SHAFT (1") SEE NOTE A AND B
	10-60169		2,,,	SCREW, FLANGE TO PROPELLER SHAFT (3/4") SEE NOTE A AND B
15	10-37909		4,,,	SCREW, FLANGE TO PROPELLER SHAFT (1 1/8")
16	13-35048		4,,,	LOCKWASHER, TRANSMISSION FLANGE SCREW
17	11-24883		4,,,	NUT, TRANSMISSION FLANGE SCREW
15	10-60106		,4,4,4,4	SCREW, FLANGE TO PROPELLER FLANGE (1 1/4")
16	13-32993		,4,4,4,4	LOCKWASHER, FLANGE SCREW
17	11-22024		,4,4,4,4	NUT, FLANGE SCREW

CONTINUED ON NEXT PAGE ➡

TRANSMISSION AND RELATED PARTS (INBOARD)

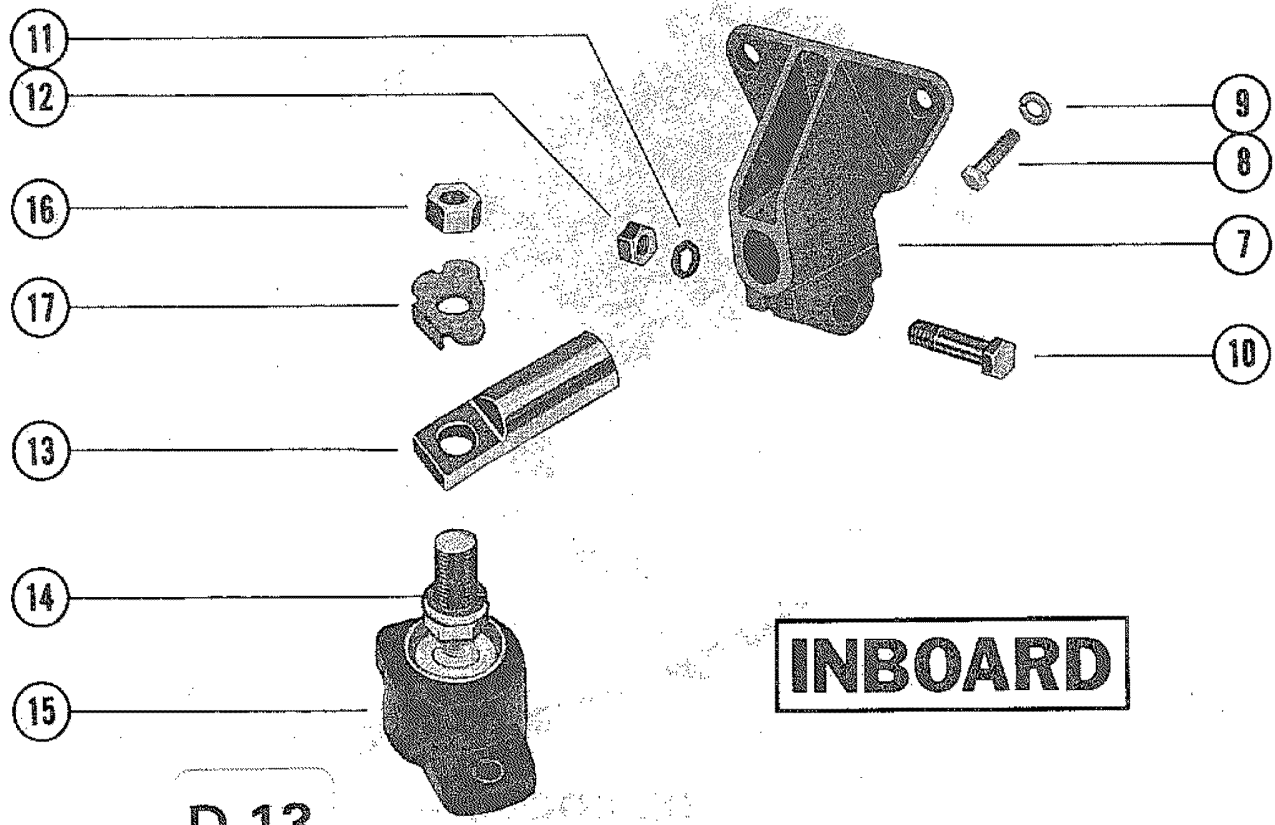
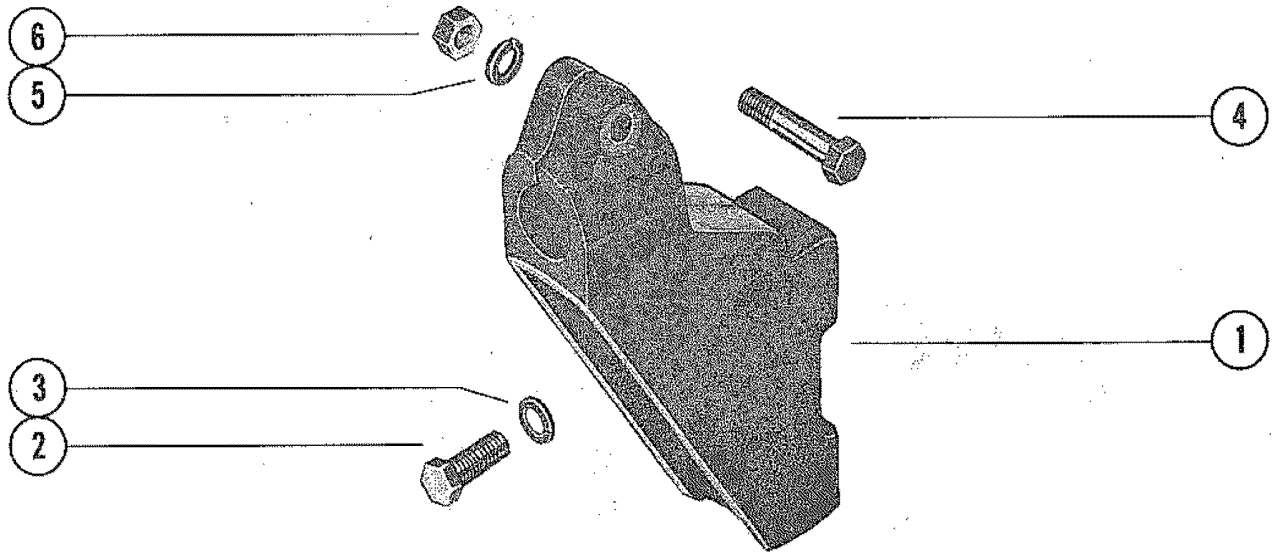
INBOARD



TRANSMISSION AND RELATED PARTS (INBOARD)

REF. NO.	PART NO.	SYM.	QTY.	DESCRIPTION
18	22-47629		1,,,	ELBOW, HOSE TO TRANSMISSION (90 DEGREES)
	22-63824		,1,1,1,1	ELBOW, HOSE TO TRANSMISSION (90 DEGREES)
19	63815A1		1,1,1,1,1	BRACKET, SHIFT CABLE
20	12-37407		1,1,1,1,1	WASHER, SHIFT CABLE TO BRACKET STUD
21	11-46438		1,1,1,1,1	NUT, SHAFT CABLE TO BRACKET STUD (10-32)
22	10-35585		2,2,2,2,2	SCREW, BRACKET TO TRANSMISSION (3/4")
23	13-26992		2,2,2,2,2	LOCKWASHER, BRACKET SCREW
24	48515		1,1,1,1,1	LEVER, SHIFT SHIFT-TRANSMISSION
25	12-20722		1,1,1,1,1	WASHER, SHIFT LEVER TO TRANSMISSION
26	13-26993		1,1,1,1,1	LOCKWASHER, SHIFT LEVER TO TRANSMISSION
27	11-20083		1,1,1,1,1	NUT, SHIFT LEVER TO TRANSMISSION
28	48652		1,1,1,1,1	ADAPTOR, SHIFT CABLE TO SHIFT LEVER
29	16-48680		1,1,1,1,1	STUD, SHIFT CABLE ADAPTOR TO SHIFT LEVER (1 1/4")
30	12-20533		1,1,1,1,1	WASHER, SHIFT CABLE ADAPTOR STUD
31	11-46887		1,1,1,1,1	NUT, SHIFT CABLE ADAPTOR STUD (1/4-28)
32	13-29402		1,1,1,1,1	WAVE WASHER, SHIFT CABLE ADAPTOR STUD
33	12-56681		1,1,1,1,1	WASHER, SHIFT CABLE ADAPTOR STUD
34	11-46438		1,1,1,1,1	NUT, SHIFT CABLE ADAPTOR STUD (10-32)
35	10-20639		1,1,1,1,1	SCREW, SHIFT CABLE TO ADAPTOR (1 1/8")
36	12-22753		1,1,1,1,1	WASHER, SHIFT CABLE SCREW
37	11-46793		1,1,1,1,1	NUT, SHIFT CABLE SCREW (5/16-24)

TRANSMISSION AND ENGINE MOUNTING (INBOARD)



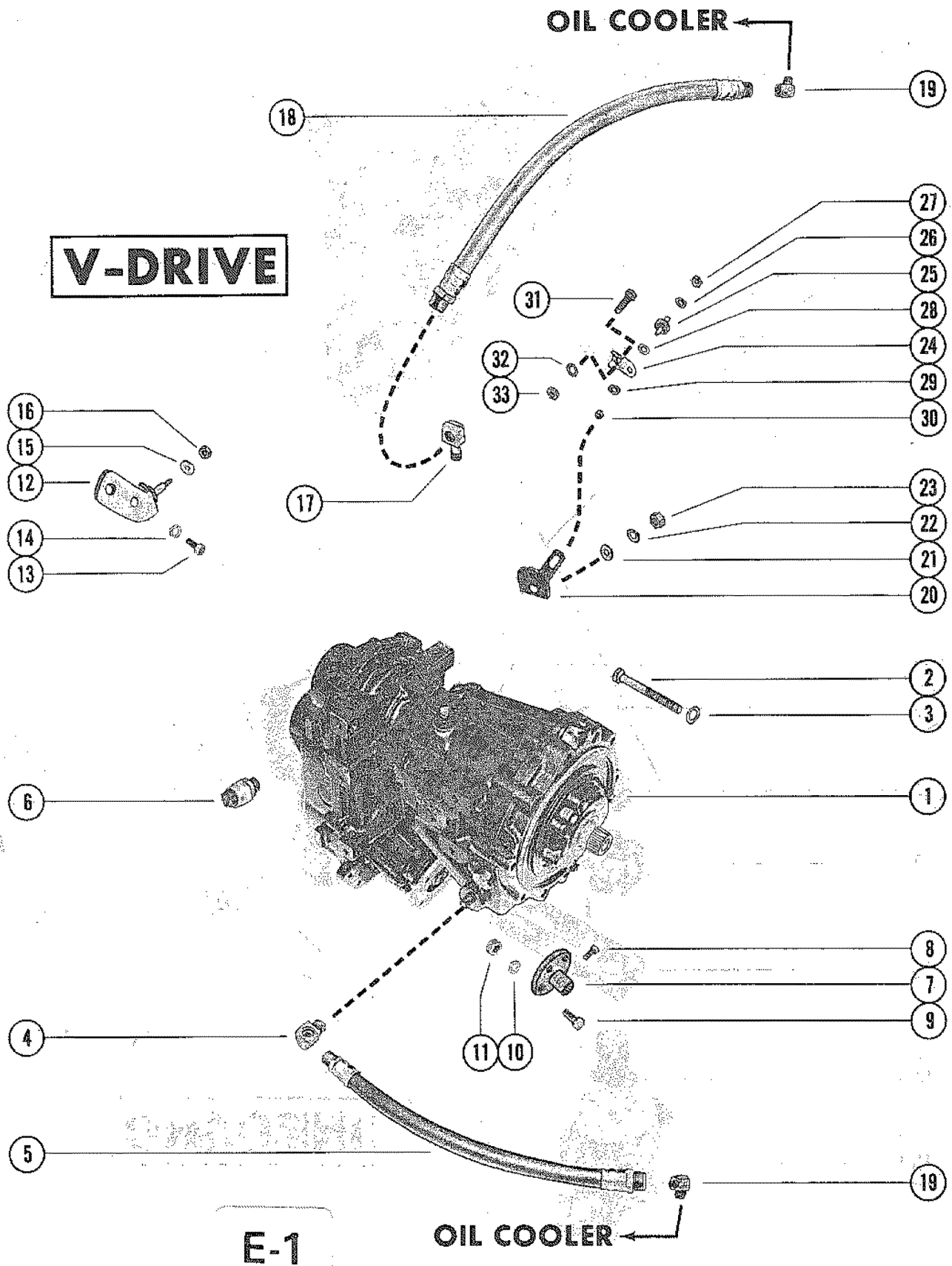
D-13

INBOARD

TRANSMISSION AND ENGINE MOUNTING (INBOARD)

REF. NO.	PART NO.	SYM.	QTY.	DESCRIPTION
1	66417		2	BRACKET, MOUNTING-TRANSMISSION (REAR)
2	10-37269		4	SCREW, BRACKET TO TRANSMISSION (2")
3	13-32993		4	LOCKWASHER, BRACKET SCREW
4	10-57357		2	SCREW, CLAMPING-MOUNTING BRACKET (2 1/4")
5	13-32993		2	LOCKWASHER, CLAMPING SCREW
6	11-29553		2	NUT, CLAMPING SCREW
7	71128		2	BRACKET, MOUNTING-ENGINE (FRONT)
8	10-37612		4	SCREW, MOUNTING BRACKET TO ENGINE (1 1/4")
9	13-35048		4	LOCKWASHER, MOUNTING BRACKET SCREW
8	10-48424		2	SCREW, MOUNTING BRACKET TO ENGINE (1 5/8")
9	13-35048		2	LOCKWASHER, MOUNTING BRACKET SCREW
10	10-37269		2	SCREW, CLAMPING-MOUNTING BRACKET (2")
11	13-32993		2	LOCKWASHER, CLAMPING SCREW
12	11-29553		2	NUT, CLAMPING SCREW
13	66166		4	TRUNNION, ADJUSTING-MOUNTING BRACKET
14	13-68102		4	LOCKWASHER, MOUNTING BRACKET
15	66284		4	BASE, ENGINE MOUNT
16	11-20739		8	NUT, JAM-ENGINE MOUNT BASE
17	14-66658		2	TAB WASHER, BASE NUT

TRANSMISSION AND RELATED PARTS (V-DRIVE)

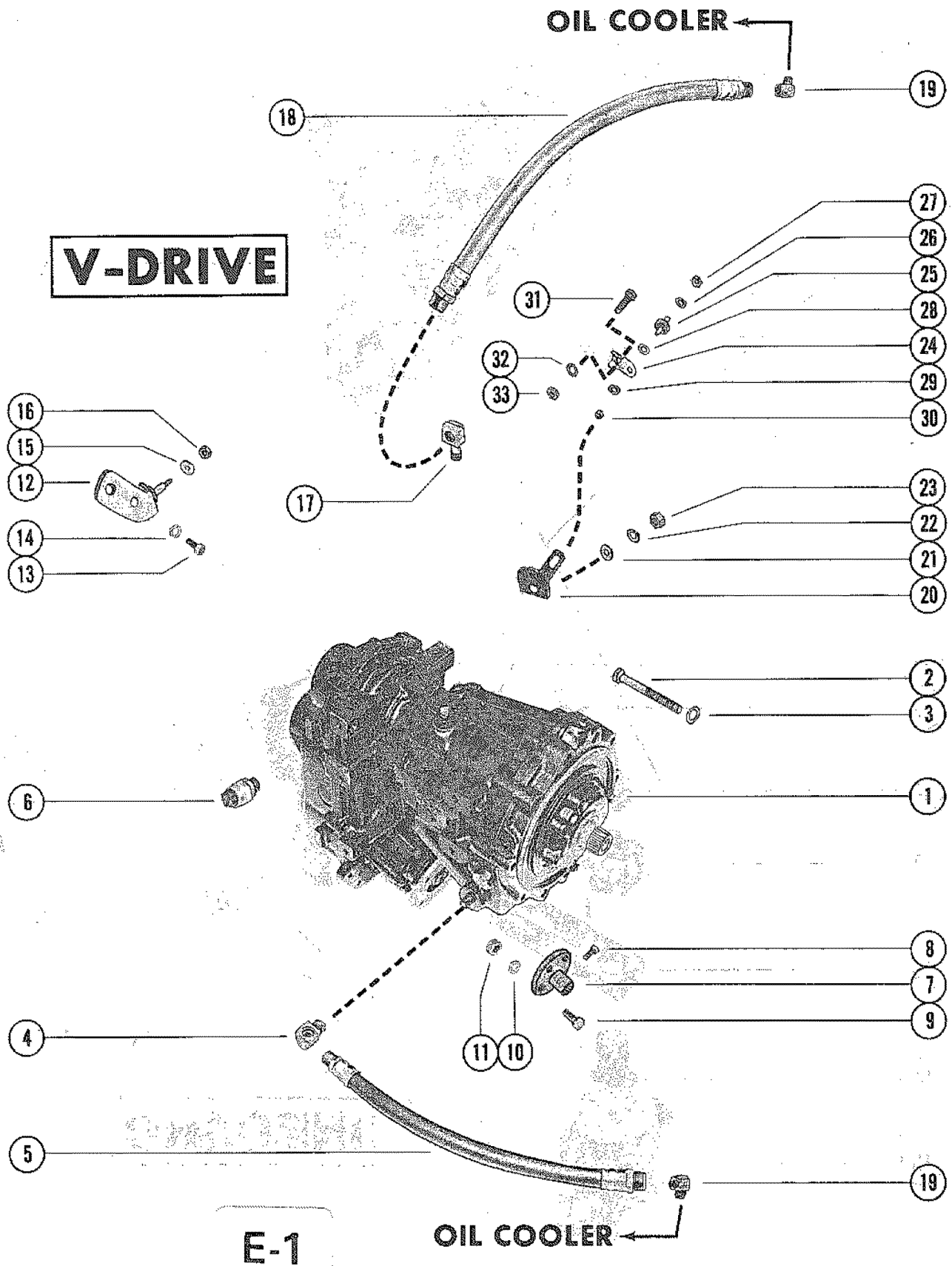


TRANSMISSION AND RELATED PARTS (V-DRIVE)

REF. NO.	PART NO.	SYM.	QTY.	DESCRIPTION
1	60953		1	TRANSMISSION, V-DRIVE (DIRECT DRIVE)
	60588		1	TRANSMISSION, V-DRIVE (1.51:1 REDUCTION)
	60954		1	TRANSMISSION, V-DRIVE (1.99:1 REDUCTION)
	60955		1	TRANSMISSION, V-DRIVE (2.49:1 REDUCTION)
	60956		1	TRANSMISSION, V-DRIVE (3.14:1 REDUCTION)
2	10-47724		6	SCREW, TRANSMISSION TO ENGINE (3")
3	13-32993		6	LOCKWASHER, TRANSMISSION SCREW
4	22-63824		1	ELBOW, HOSE TO TRANSMISSION (90 DEGREES)
5	32-47516--9		1	HOSE, OIL COOLER TO TRANSMISSION (37")
6	47613		1	SWITCH, NEUTRAL SAFTEY
7	48386A1		OPT	FLANGE ASSEMBLY (1")
	48387A1		OPT	FLANGE ASSEMBLY (1 1/8")
	48388A1		OPT	FLANGE ASSEMBLY (1 1/4")
	48389A1		OPT	FLANGE ASSEMBLY (1 3/8")
	48390A1		OPT	FLANGE ASSEMBLY (1 1/2")
	57295A1		OPT	FLANGE ASSEMBLY (1 3/4")
	57296A1		OPT	FLANGE ASSEMBLY (2")
8	10-60171		2	SCREW, FLANGE TO PROPELLER SHAFT (1 1/4") SEE NOTE
	10-60170		2	SCREW, FLANGE TO PROPELLER SHAFT (1") SEE NOTE
	10-60169		2	SCREW, FLANGE TO PROPELLER SHAFT (3/4") SEE NOTE
9	10-60106		4	SCREW, TRANSMISSION FLANGE TO PROPELLER FLANGE (1 1/4")
10	13-32993		4	LOCKWASHER, FLANGE SCREW
11	11-22024		4	NUT, FLANGE SCREW
12	63815A1		1	BRACKET, SHIFT CABLE
13	10-35585		2	SCREW, BRACKET TO FLYWHEEL HOUSING
14	13-26992		2	LOCKWASHER, BRACKET TO TRANSMISSION SCREW
15	12-37407		1	WASHER, SHIFT CABLE TO BRACKET STUD
16	11-46438		1	NUT, SHIFT CABLE TO BRACKET STUD (10-32)
17	22-47629		1	ELBOW, HOSE TO TRANSMISSION (90 DEGREES)
18	32-475166-10		1	HOSE, TRANSMISSION TO OIL COOLER (33")
19	22-47629		2	ELBOW, HOSE TO OIL COOLER (90 DEGREES)
20	48515		1	LEVER, SHIFT-TRANSMISSION
21	12-20722		1	WASHER, SHIFT LEVER TO TRANSMISSION
22	13-26993		1	LOCKWASHER, SHIFT LEVER TO TRANSMISSION
23	11-20083		1	NUT, SHIFT LEVER TO TRANSMISSION
24	48652		1	ADAPTOR, SHIFT CABLE TO SHIFT LEVER
25	16-48680		1	STUD, SHIFT CABLE ADAPTOR TO SHIFT LEVER (1 1/4")
26	12-20533		1	WASHER, SHIFT CABLE ADAPTOR STUD
27	11-46887		1	NUT, SHIFT CABLE ADAPTOR STUD (1/4-28)
28	13-29402		1	WAVE WASHER, SHIFT CABLE ADAPTOR STUD

CONTINUED ON NEXT PAGE ➡

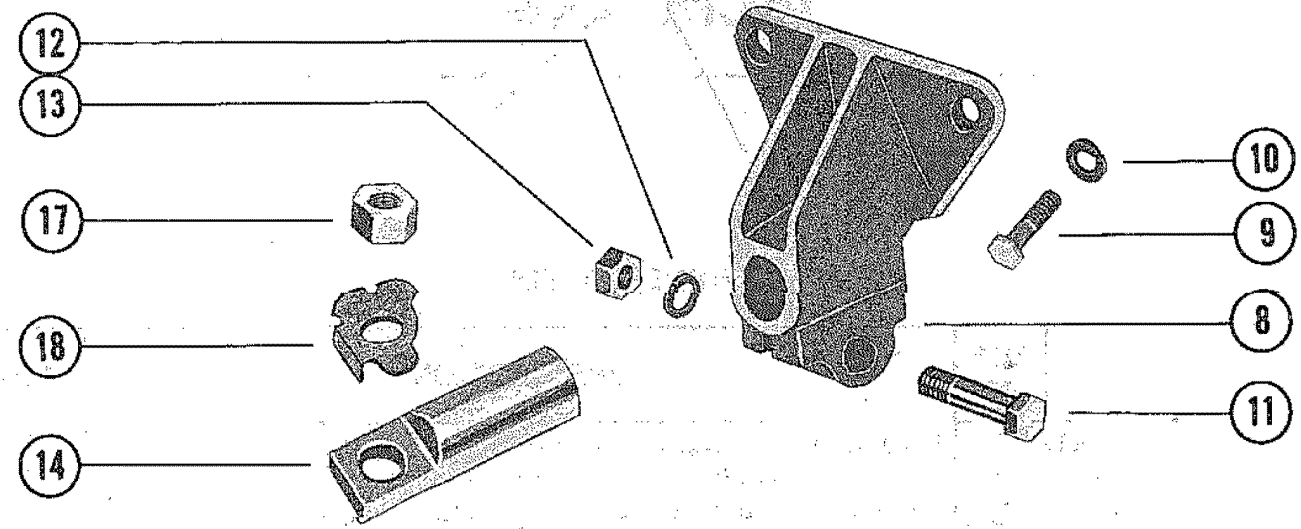
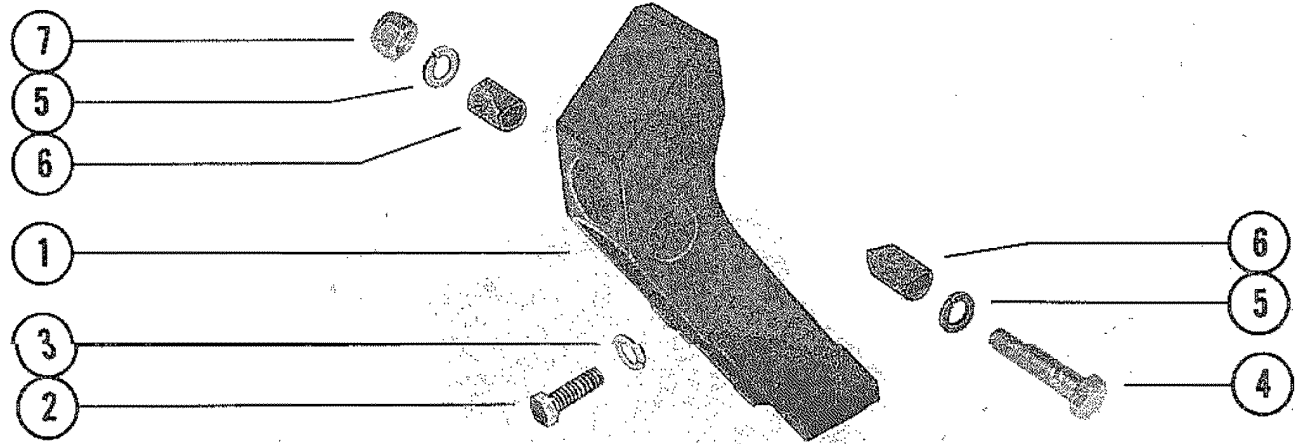
TRANSMISSION AND RELATED PARTS (V-DRIVE)



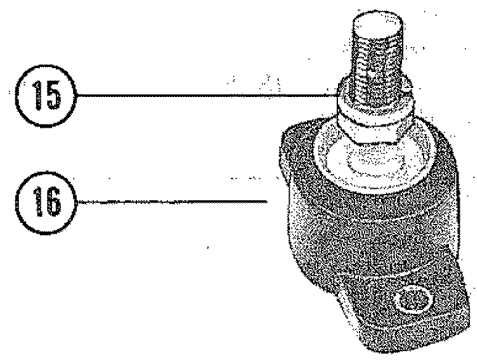
TRANSMISSION AND RELATED PARTS (V-DRIVE)

REF. NO.	PART NO.	SYM.	QTY.	DESCRIPTION
29	12-37407		1	WASHER, SHIFT CABLE ADAPTOR STUD
30	11-46438		1	NUT, SHIFT CABLE ADAPTOR STUD (10-32)
31	10-20639		1	SCREW, SHIFT CABLE TO ADAPTOR (1 1/8")
32	12-22753		1	WASHER, SHIFT CABLE SCREW
33	11-46793		1	NUT, SHIFT CABLE SCREW (5/16-24)

TRANSMISSION AND ENGINE MOUNTING (V-DRIVE)



V-DRIVE

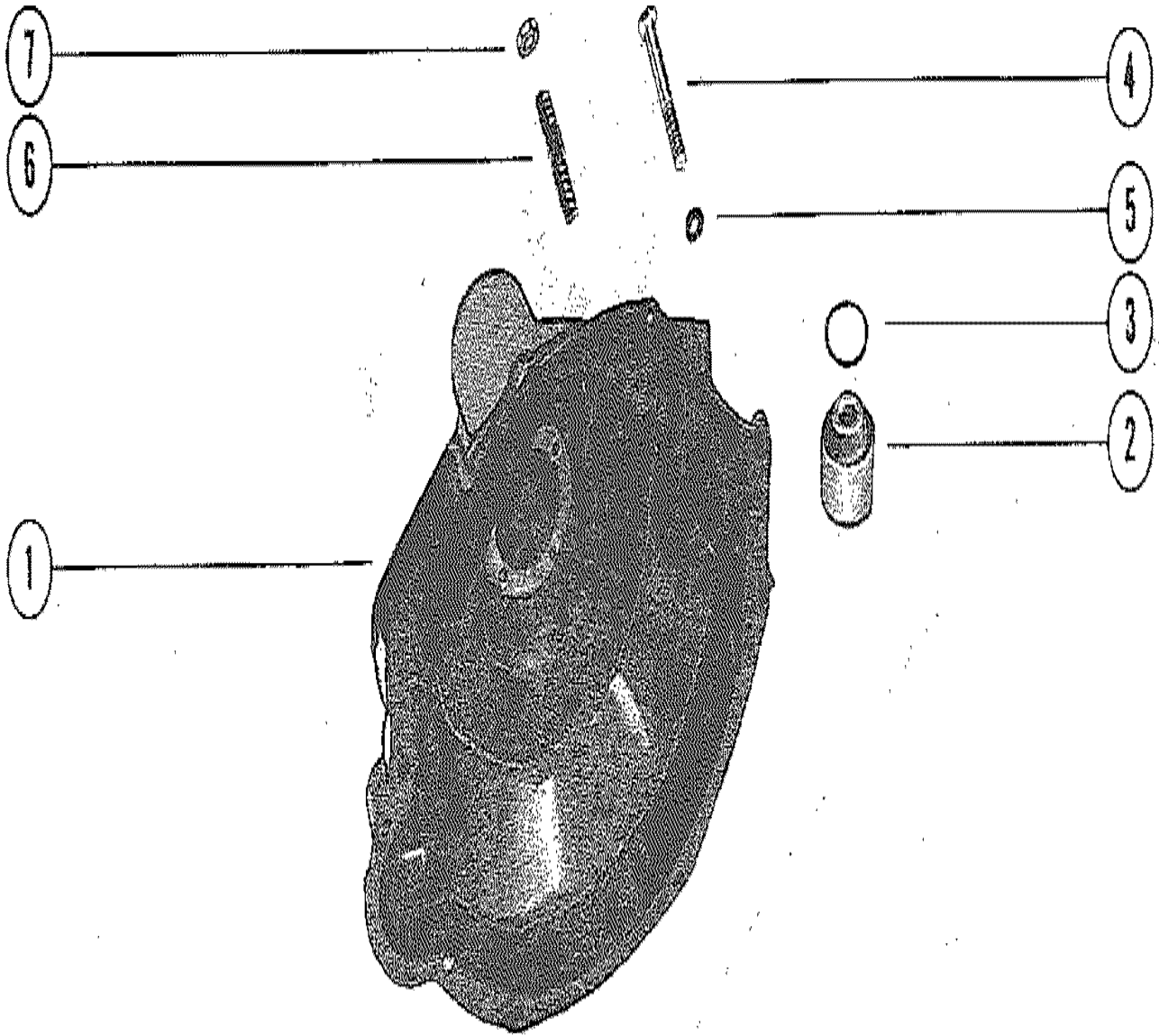


E-3

TRANSMISSION AND ENGINE MOUNTING (V-DRIVE)

REF. NO.	PART NO.	SYM.	QTY.	DESCRIPTION
1	62285		2	BRACKET, MOUNTING (REAR)
2	10-47462		4	SCREW, MOUNTING BRACKET TO TRANSMISSION (1 1/4")
3	13-32993		4	LOCKWASHER, MOUNTING BRACKET SCREW
4	10-47654		2	SCREW, CLAMPING-MOUNTING BRACKET (2 3/4")
5	13-32993		2	LOCKWASHER, CLAMPING SCREW
6	54-47528		4	CLAMP, ADJUSTING TRUNNION SCREW
7	11-29553		2	NUT, SCREW CLAMPING
8	71128		2	BRACKET, MOUNTING - ENGINE (FRONT)
9	10-37612		4	SCREW, MOUNTING BRACKET TO ENGINE (1 1/4")
10	13-35048		4	LOCKWASHER, MOUNTING BRACKET SCREW
11	10-37269		2	SCREW, CLAMPING - MOUNTING BRACKET (2")
12	13-32993		2	LOCKWASHER, SCREW CLAMPING
13	11-29553		2	NUT, SCREW CLAMPING
14	66166		4	TRUNNION, ADJUSTING - MOUNTING BRACKET
15	13-68102		4	LOCKWASHER, MOUNTING BRACKET
16	66284		4	BASE, ENGINE MOUNT
17	11-20739		8	NUT, JAM - ENGINE MOUNT BASE
18	14-66658		2	TAB WASHER, ENGINE MOUNT BASE
-	16-46857		2	STUD, CARBURETOR MOUNTING (1 7/8")
-	10-28701		2	SCREW, CARBURETOR MOUNTING (3 1/2")
-	13-39107		2	LOCKWASHER, CARBURETOR MOUNTING SCREW
-	49457		1	GAUGE, OIL LEVEL (DIPSTICK)
-	60212A1		2	EXHAUST, ELBOW RISER
-	16-49545		8	STUD, EXHAUST ELBOW TO RISER (1 3/4")
-	22-32802		2	PLUG, EXHAUST ELBOW TO RISER
-	22-36305		2	ELBOW, EXHAUST RISER
-	16-60607		4	STUD, MANIFOLD TO RISER (2 1/4")
-	11-49838		8	NUT, RISER TO EXHAUST ELBOW STUD
-	13-37459		8	LOCKWASHER, RISER TO EXHAUST ELBOW STUD
-	27-52076		6	GASKET, ELBOW TO RISER
-	73813A1		2	END CAP, REAR
-	27-73814		2	GASKET, END CAP TO EXHAUST MANIFOLD
-	10-25299		8	SCREW, END CAP ATTACHING (3/4")

FLYWHEEL HOUSING



MCM 228

FLYWHEEL HOUSING

REF. NO.	PART NO.	SYM.	QTY.	DESCRIPTION
1	76773A1		1	FLYWHEEL HOUSING ASSEMBLY
2	33149		2	MONT, RUBBER - FLYWHEEL HOUSING
3	23-46742		2	SPACER, RUBBER MOUNT - FLYWHEEL HOUSING
4	10-26632		5	SCREW, FLYWHEEL HOUSING ATTACHING (1 1/4")
	10-45754		1	SCREW, FLYWHEEL HOUSING ATTACHING (2")
5	13-37459		6	LOCKWASHER, FLYWHEEL HOUSING SCREW (3/8")
	12-20572		1	WASHER, FLYWHEEL HOUSING SCREW - SPECIAL (3/8")
6	16-64066		1	STUD, FLYWHEEL HOUSING ATTACHING (2 1/4")
7	11-32219		1	NUT, FLYWHEEL HOUSING STUD

PARTS INDEX

Part Number	Description	Pg.	Ref. No.	Part Number	Description	Pg.	Ref. No.
26079	PLATE, WIRING HARNESS TO MOUNTING BRACKET	7	2	47488	BRACKET, WATER PUMP	33	22
29359	LUBRICAP, GREASE FITTING	67	109	47488	BRACKET, WATER PUMP	35	25
32193	COIL, IGNITION	11	23	47492A3	TUBE, OIL LEVEL GAUGE	53	17
32720	FITTING, OIL FILTER TO ADAPTOR	75	3	47502	BRACKET, MOUNTING - THROTTLE CABLE (MCM 228 TR)	15	26
32783	RETAINER, HIGH TENSION LEADS (3 WIRE)	11	34	47530	HUB, WATER PUMP PULLEY	29	20
32784	RETAINER, HIGH TENSION LEADS (4 WIRE)	11	34	47530	HUB, WATER PUMP PULLEY	33	17
33149	MONT, RUBBER - FLYWHEEL HOUSING	89	2	47530	HUB, WATER PUMP PULLEY	35	20
33863	PULLEY, HARMONIC BALANCER	49	17	47530	HUB, WATER PUMP SHAFT	29	20
34458	VALVE, INLET (STANDARD)	41	7	47544	BRACE, WATER PUMP ADJUSTING	33	28
34518	SHIELD, VALVE SPRING CAP	41	10	47544	BRACE, WATER PUMP ADJUSTING	35	31
34525	VALVE, INLET (.015 O.S.)	41	7	47608	DRIVE PLATE, FLYWHEEL(MIE 228)	45	18
34623	OIL PRESSURE SENDER ASSEMBLY	3	15	47613	SWITCH, NEUTRAL SAFTEY	83	6
34625	WATER TEMPERATURE SENDER ASSEMBLY	3	12	47613	SWITCH, NEUTRALL SAFTEY	77	9
35323	VALVE, EXHAUST (STANDARD)	41	6	47737A1	MANIFOLD, PORT (MCM 228)	23	1
35328	ROTATOR ASSEMBLY, VALVE SPRING - EXHAUST VALVE	41	12	47738A1	MANIFOLD, STARBOARD (MCM 228)	23	1
35329	ARM, ROCKER VALVE	41	14	47805	TRANSMISSION (DIRECT DRIVE)	77	1
35330	ROD, VALVE PUSH	41	5	47806	TRANSMISSION (1.523:1 REDUCTION)	77	1
35331	BALL UNIT, ROCKER VALVE ARM	41	15	47807	TRANSMISSION 1.523:1 REDUCTION	77	1
35352	OIL PUMP ASSEMBLY	53	1	47808	TRANSMISSION (2.57:1 REDUCTION)	77	1
35363	BRACE, STARTER MOTOR	3	5	47809	TRANSMISSION (2.909:1 REDUCTION)	77	1
35365	SUPPORT, SPARK PLUG LEAD WIRE	49	25	47816	SIGHT GLASS	13	9
35373	PLATE, FUEL PUMP MOUNTING	13	4	47957	CONNECTOR, VENT HOSE TO ROCKER COVER	15	24
35377	ROD, PUSH - FUEL PUMP	13	7	48104	BRACKET, ALTERNATOR MOUNTING	5	34
35378	CHAIN, CAMSHAFT TIMING	43	17	48133	BRACKET, OIL LEVEL GAUGE	53	20
36184	SHAFT, OIL PUMP TO DISTRIBUTOR	53	4	48348	CAP, INLET VALVE	41	11
39670A22	SWITCH ASSEMBLY, CUT-OUT - TRANSOM PLATE(MCM 228)	59	50	48381A1	FLANGE ASSEMBLY (1")	77	13
39670A23	SWITCH ASSEMBLY, CUT-OUT - TRANSOM PLATE(MCM 228 TR)	59	50	48382A1	FLANGE ASSEMBLY (1 1/8")	77	13
45517A2	ARM ASSEMBLY, SWITCH ACTUATING	57	41	48383A1	FLANGE ASSEMBLY (1 1/4")	77	13
45526	CAM, REVERSE LOCK VALVE	57	14	48384A1	FLANGE ASSEMBLY (1 3/8")	77	13
45528A2	COVER ASSEMBLY, REVERSE LOCK VALVE	57	19	48385A1	FLANGE ASSEMBLY (1 1/2")	77	13
45709	FOLLOWER, CAM	57	11	48386A1	FLANGE ASSEMBLY (1")	83	7
45915	TERMINAL BLOCK, ROTARY TRIM SENDER MCM 228	9	26	48386A1	FLANGE ASSEMBLY (1")	77	13
46732A1	LEVER ASSEMBLY, CAM	57	25	48387A1	FLANGE ASSEMBLY (1 1/8")	83	7
47441	COVER, THERMOSTAT	27	9	48387A1	FLANGE ASSEMBLY (1 1/8")	77	13
47488	BRACKET, WATER PUMP	29	28	48388A1	FLANGE ASSEMBLY (1 1/4")	83	7
				48388A1	FLANGE ASSEMBLY (1 1/4")	77	13

PARTS INDEX

Part Number	Description	Pg.	Ref. No.	Part Number	Description	Pg.	Ref. No.
48389A1	FLANGE ASSEMBLY (1 3/8")	83	7	57611	BRACKET, PUMP		
48389A1	FLANGE ASSEMBLY (1 3/8")				MOUNTING	55	3
	SEE NOTE B	77	13	57908--2	SLEEVE, WIRING HARNESS	9	31
48390A1	FLANGE ASSEMBLY (1 1/2")	83	7	58265	BLAMPING RING, PUMP		
48390A1	FLANGE ASSEMBLY (1 1/2")				PULLEY	29	22
	SEE NOTE B	77	13	58265	CLAMPING RING, PUMP		
48515	LEVER, SHIFT SHIFT-				PULLEY	33	19
	TRANSMISSION	79	24	58265	CLAMPING RING, PUMP		
48515	LEVER, SHIFT-				PULLEY	35	22
	TRANSMISSION	83	20	59137	THERMOSTAT (143)	27	8
48652	ADAPTOR, SHIFT CABLE TO			59155	COVER, WATER PUMP	33	3
	SHIFT LEVER	79	28	59363A1	CAM SEGMENT ASSEMBLY	33	7
48652	ADAPTOR, SHIFT CABLE TO			59501	SHAFT, WATER PUMP	29	17
	SHIFT LEVER	83	24	59501	SHAFT, WATER PUMP	33	14
49076	VALVE, EXHAUST (.015 O.S.)	41	6	59501	SHAFT, WATER PUMP	35	17
49174	REINFORCEMENT, VALVE			59503	WEAR PLATE	33	6
	ROCKER COVER	41	3A	59825	SEPARATOR, EXHAUST		
49288	CAP, OIL FILLER	41	2		MCM 228	27	24
49457	GAUGE, OIL LEVEL			60207	PLATE, ELBOW TO MAN .(
	(DIPSTICK)	87	--		MCM 228 TR)	23	15
49735	BRACKET, OIL COOLER ...	73	12	60207	PLATE, EXHAUST ELBOW		
49735	BRACKET, OIL COOLER				TO MANIFOLD	23	15
	MOUNT	55	15	60212A1	EXHAUST, ELBOW RISER ..	87	--
49748A1	BRACKET ASEMBLY, OIL			60252	END CAP/CONNECTOR,		
	COOLER	73	8		EXHAUST MANIFOLD ...	23	7
49748A1	BRACKET ASSEMBLY, OIL			60588	TRANSMISSION, V-DRIVE		
	COOLER	55	14		(1.51:1 REDUCTION)	83	1
49770	OIL COOLER	55	11	60656	COVER ASSEMBLY,		
49929	BRACKET, MOUNTING -				CRANKCASE FRONT(
	THROTTLE CABLE (MIE				OPPOSITE ROTATION) ..	49	27
	228)	15	26	60658	WATER PUMP ASSEMBLY .	49	10
52185	CLAMP, DISTRIBUTOR TO			60915	ROD, AUTOMATIC CHOKE		
	INTAKE MANIFOLD	11	20		MIE 228	17	35
52198	BAFFLE, OIL PAN			60930	SHUTTER, WATER		
	(CYLINDER BLOCK)	53	6		EXHAUST SEPARATOR ..	27	22
52217	CAP, REAR - CRANKSHAFT			60931	RETAINER, WATER		
	BEARING	45	7		SHUTTER (MCM 228) ...	27	23
52349	PULLEY, WATER PUMP ...	49	13	60953	TRANSMISSION, V-DRIVE		
52731	OIL FILTER	75	9		(DIRECT DRIVE)	83	1
52731	OIL FILTER ASSEMBLY	51	34	60954	TRANSMISSION, V-DRIVE		
53338	FILTER VALVE ASSEMBLY .	51	32		(1.99:1 REDUCTION)	83	1
53513	WEDGE, CARBURETOR ...	15	10	60955	TRANSMISSION, V-DRIVE		
54676	RETAINER, HIGH TENSION				(2.49:1 REDUCTION)	83	1
	LEADS (2 WIRE)	11	34	60956	TRANSMISSION, V-DRIVE		
54785	ADAPTOR ASSEMBLY, OILL				(3.14:1 REDUCTION)	83	1
	FILTER BY-PASS	75	14	61112	ROD, AUTOMATIC CHOKE		
54789	CAP, FRONT AND				MCM 228 AND MCM 228		
	INTERMEDIATE -				TR	17	35
	CRANKSHAFT BEARING .	45	8	61990	STA-STRAP, WIRING		
54869	BRACKET, SOLENOID				HARNESS	9	32
	MOUNTING (STARBOARD			62285	BRACKET, MOUNTING		
	SIDE) MCM 228	23	10		(REAR)	87	1
54951A2	REVERSE LOCK VALVE			62665	RETAINER, SPRING	63	47
	ASSEMBLY	69	1	62666	STRUT, CLUTCH CAND		
55481	BASE, FUEL FILTER	13	11		ANCHOR	65	69
555730	PLATE, EXHUAST ELBOW			62667	PISTON, CLUTCH	65	87
	TO MANIFOLD (MIE 228) .	23	15	62686	RING, PRESSURE - CLUTCH		
57295A1	FLANGE ASSEMBLY (1 3/4")	83	7		SPRING	65	85
57296A1	FLANGE ASSEMBLY (2") ...	83	7	62687	BAND, CLUTCH	65	67
				62691A1	CLUTCH PLATE KIT	65	83

PARTS INDEX

Part Number	Description	Pg.	Ref. No.	Part Number	Description	Pg.	Ref. No.
62693	HUB, CLUTCH	65	82	67993A2	SHAFT, OUTPUT	65	79
62694A3	PLANETARY AND CLUTCH DRUM ASSEMBLY	65	73	69392	SHIFT ACTUATOR ASSEMBLY(SEE PAGE 44 FOR BREAKDOWN)	69	7
62711	STA-STRAP, HOSE ATTACHING	29	27	69392	SHIFT ACTUATOR ASSEMBLY, COMPLETE(SEE NOTE BELOW)	71	1
62722	PISTON, RELIEF VALVE	61	15	69729	ALTERNATOR ASSEMBLY (DELCO REMY #1102496)	3	20
62723	LINK, CLUTCH BAND	65	68	70637	DRIVE PLATE, FLYWHEEL(MCM 228 TR)	45	18
62734	MOUNT, RUBBER - OUTPUT HOUSING (REAR)	65	103	70938	BRACKET, MOUNTING - ENGINE MCM 228 : MCM 228TR	37	1
62735	LEVER, REVERSE CLUTCH	63	40	70981	BELLOWS, EXHUAUST ELBOW MCM 228 AND MCM 228 TR	27	19
62739A2	HOUSING ASSEMBLY, OUTPUT	65	94	71128	BRACKET, MOUNTING - ENGINE (FRONT)	87	8
62740A2	CONTROL VALVE ASSEMBLY	63	36	71128	BRACKET, MOUNTING- ENGINE (FRONT)	81	7
62742	CAM FOLLOWER	63	63	71648	BRACE, WATER PUMP ADJUSTING (WITHOUT POWER STEERING)	29	34
62745A1	BRACKET ASSEMBLY, MOUNTING - SHIFT ACTUATOR	69	18	71872A1	OIL PAN (MIE 228)	53	8
62747	CAP, CONTROL VALVE	63	60	71995	COVER, TRANSMISSION HOUSING	43	11
63037	DIPSTICK	61	4	72625	CHOKE, AUTOMATIC - CARBURETOR	15	32
63038	COVER, SHIFT ACTUATOR	69	8	72638	LIFTER, HYDRAULIC VALVE - TAPPET	43	10
63127A1	FLANGE ASSEMBLY, OIL COOLER	61	25	72643	OIL PAN (MCM 228 AND MCM 228 TR)	53	8
63151	RETAINER, WATER SHUTTER (MCM 228 TR)	27	23	72645	SCREEN ASSEMBLY, OIL PUMP	53	3
63815A1	BRACKET, SHIFT CABLE	79	19	72646	INTAKE MANIFOLD	49	1
63815A1	BRACKET, SHIFT CABLE	83	12	72647	GUARD, INTAKE MANIFOLD	49	8
63828	HOUSING, FLYWHEEL	73	1	72776	COVER, WATER PUMP	29	2
63832--1	COOLER, OIL (9")	73	7	72776	COVER, WATER PUMP	35	2
63832--2	COOLER, OIL (12") - V- DRIVE ONLY	73	7	72777	WEAR PLATE	29	7
63833	COVER, FLYWHEEL HOUSING	73	2	72777	WEAR PLATE	35	7
64090A1	TUBE ASSEMBLY, DIPSTICK	61	3	72778	WEAR PLATE	29	12
64709	BRACKET MOUNTING	7	4	72778	WEAR PLATE	35	12
64884	TAB, WIRING HARNESS	7	8	72938	GAUGE, OIL LEVEL (DIPSTICK)	53	18
65080A1	SHAFT ASSEMBLY, CONTROL VALVE	63	54	72950	TUBE, OIL LEVEL (LOWER)	53	16
65989	RETAINER, BALL BEARING	65	104	73659	ELBOW, EXHAUST - STARBOARD MCM 228 TR	27	16
66057A3	SHIFT BRACKET ASSEMBLY	57	1	73660	ELBOW, EXHAUST - PORT MCM 228 TR	27	16
66059	BRACKET, MOUNTING - SHIFT	59	52	73738	ELBOW, EXHAUST (MCM 228)	27	16
66166	TRUNNION, ADJUSTING - MOUNTING BRACKET	87	14	73782	PLATE, ELBOW TO MAN.(MCM 228 TR)	23	15
66166	TRUNNION, ADJUSTING- MOUNTING BRACKET	81	13	73798	PULLEY, WATER PUMP	29	21
66198	COVER, AUTOMATIC CHOKE	15	36	73798	PULLEY, WATER PUMP	33	18
66284	BASE, ENGINE MOUNT	81	15	73798	PULLEY, WATER PUMP	35	21
66284	BASE, ENGINE MOUNT	87	16	73813A1	END CAP, REAR	87	--
66284	BRACKET, MOUNTING	37	4	73873	PULLEY, STEERING PUMP	55	2
66397A1	LEVER ASSEMBLY, SHIFT CONTROL - CAM LEVER	57	33				
66417	BRACKET, MOUNTING- TRANSMISSION (REAR)	81	1				
66515A2	COVER ASSEMBLY, OIL COOLER	61	29				
66981A2	PISTON, SERVO	63	50				
67282A1	HOUSING ASSEMBLY, PISTON	65	89				

PARTS INDEX

Part Number	Description	Pg.	Ref. No.	Part Number	Description	Pg.	Ref. No.
75040	PULLEY, HARMONIC BALANCER(WITH POWER STEERING)	49	17	79550	BRACKET, MOUNTING - ENGINE MCM 228	37	1
75420	BALANCER, HARMONIC - CRANKSHAFT	49	16	79565	FALME ARRESTOR, CARBURETOR	15	19
75435A1	POINTER, TIMING	51	31	79961	COVER, ROCKER	41	1
75612	COVER ASSEMBLY, CRANKCASE FRONT(STANDARD ROTATION)	49	27	79995	BRACKET, OIL LEVEL GAUGE	53	20
76351A1	EXHAUST ELBOW ASSEMBLY (MCM 228 TR)	23	11	85011A1	BRACKET, HYDRAULIC PUMP	55	19
76351A1	EXHAUST ELBOW ASSEMBLY (MCM 228 TR)	23	11	85013	BRACE, ALTERNATOR ADJUSTING	5	26
76351A1	EXHAUST ELBOW ASSEMBLY (MCM 228 TR)	23	11	85803	VALVE, EXHAUST (STANDARD)	41	6
76351A1	EXHAUST ELBOW ASSEMBLY (MCM 228)	23	11	86246	FULE PUMP ASSEMBLY	13	1
76668A1	EXHAUST ELBOW ASSEMBLY (MCM 228 TR)	23	11	87284	VALVE, EXHAUST (STANDARD)	41	6
76739	BRACE, WATER PUMP ADJUSTING (WITH POWER STEERING)	29	34	87301	VALVE, EXHAUST (.015 O.S.)	41	6
76771A2	EXHAUST ELBOW ASSEMBLY (MIE 228)	23	11	87813A1	PUMP ASSEMBLY	61	12
76773A1	FLYWHEEL HOUSING ASSEMBLY	89	1	87814A2	PUMP ASSEMBLY, GEROTOR(ALSO INCLUDES REF. #12)	61	22
76792	ADAPTOR, OIL	75	10	N.S.S.	AIR HORN ASSEMBLY	19	1
76812A4	REVERSE LOCK VALVE ASSEMBLY	57	8	N.S.S.	BAFFLE, FLOAT BOWL (ROCHESTER #7031365)	19	24
76850A2	COUPLING ASSEMBLY	45	12	N.S.S.	BRACKET ASSEMBLY, VACUUM CONTROL	19	29
76925A3	TRANSMISSION ASSEMBLY, COMPLETE	61	--	N.S.S.	CHOKE SHAFT AND LEVER ASSEMBLY (ROCHESTER #17053531)	19	18
76925A3	TRANSMISSION ASSEMBLY, COMPLETE	65	-	N.S.S.	FLOAT BOWL ASSEMBLY(ROCHESTER #7035358)	21	40
76925A4	HOUSING ASSEMBLY, TRANSMISSION	61	1	N.S.S.	HOLDER KIT, SECONDARY METERING ROD (ROCHESTER #7034522)	19	3
77234A2	MANIFOLD, PORT (MCM 228)	23	1	N.S.S.	HOSE, VACUUM (ROCHESTER #7026339)	19	32
77235A2	MANIFOLD, STARBOARD (MCM 228)	23	1	N.S.S.	INSERT, FLOAT BOWL (ROCHESTER #7034361)	21	39
77294	BRACKET, IGNITION COIL MOUNTING	11	24	N.S.S.	LEVER, ACTUATING-PUMP (ROCHESTER #7048169)	19	8
77383	HOUSING, FLYWHEEL	73	1	N.S.S.	LEVER, AIR VALVE LOCKOUT (ROCHESTER #7048169)	19	2
77440	BRACKET, MOUNTING MCM 228	7	4	N.S.S.	LEVER, INTERMEDIATE CHOKE (ROCHESTER #7031231)	19	23
77448A1	SHAFT ASSEMBLY, INPUT	65	76	N.S.S.	METERING ROD, SECONDARY (MCM 228 TR AND MIE 228)	19	4
77453	BRACKET, MOUNTING - FUEL FILTER	13	13	N.S.S.	METERING ROD, SECONDARY (MCM 228)- ROCHESTER #0748092)	19	4
77570	BRACE, POWER STEERING PUMP	55	23	N.S.S.	POWER PISTON ASSEMBLY (ROCHESTER #7034637)	21	33
77580	BRACKET, MOUNTING - THROTTLE CABLE (MCM 228)	15	26	N.S.S.	REATINER, POWER PISTON (ROCHESTER #7034339)	21	35
77912	OIL COOLER	55	11	N.S.S.	RETAINER, PUMP DISCHARGE BALL (ROCHESTER #7029849)	21	36
78403A1	ALTERNATOR ASSEMBLY (MOTOROLA #8MR2023F	3	20				
78610A1	ADAPTOR, OIL FILTER(NOT AS SHOWN)	75	1				
78984A1	THERMOSTATE HOUSING ASSEMBLY	27	1				

PARTS INDEX

Part Number	Description	Pg.	Ref. No.	Part Number	Description	Pg.	Ref. No.
N.S.S.	ROD, PUMP	21	48	10-24234	SCREW, END CAP TO		
N.S.S.	ROD, VACUUM CONTROL (ROCHESTER #7038167) .	19	27	10-24234	MANIFOLD (1") MIE 228 . .	23	9
N.S.S.	SCREW, AIR HORN TO FLOAT BOWL (1")- ROCHESTER #7014699 . .	19	6	10-24637	SCREW, END CAP TO MANIFOLD (1")MCM 228 AND MCM 228 TR	23	9
N.S.S.	SCREW, AIR HORN TO FLOAT BOWL (3")- ROCHESTER #7029912 . .	19	7	10-24637	SCREW, CIRCUIT BREAKER TO BRACKET (7/8")-MCM 228	7	20
N.S.S.	SCREW, AIR HORN TO FLOAT BOWL (3/9")- ROCHESTER #7031105 . .	19	5	10-25299	SCREW, TERMINAL BLOCK (7/8")	59	56
N.S.S.	SCREW, CHOKE VALVE TO CHOKE SHAFT (ROCHESTER #7029866) .	19	20	10-25299	SCREW, END CAP ATTACHING (3/4")	87	--
N.S.S.	SCREW, IDLE STOP(ROCHESTER #7002121) .	21	41	10-25299	SCREW, IGNITION COIL ATTACHING (3/4")	11	29
N.S.S.	SCREW, THROTTLE BODY TO FLOAT BOWL (ROCHESTER #7035790) .	21	53	10-25299	SCREW, MOUNTIN BRACKET TO CONTROL VALVE (3/4")	69	25
N.S.S.	SCREW, VACUUM CONTROL BRACKET TO FLOAT BOWL	19	30	10-25703	SCREW, REVERSE LOCK VALVE TO SHIFT SUPPORT BRACKET (3/4")	57	29
N.S.S.	SPRING, IDLE STOP SCREW (ROCHESTER #7003176) .	21	42	10-26066	SCREW, "J" CLIP ATTACHING (1/2")	9	34
N.S.S.	SPRING, METERING ROD - PRIMARY (ROCHESTER #7029862)	21	34	10-26487	SCREW, FUEL FILTER TO MOUNTING BRACKET (1 1/4")	13	14
N.S.S.	SPRING, POWER PISTON (ROCHESTER #7029529) .	21	38	10-26487	BOLT, INTAKE MANIFOLD TO CYLINDER BLOCK (1 1/8")	49	2
N.S.S.	THROTTLE BODY ASSEMBLY (MCM 228 TR AND MIE 228)	21	50	10-26632	SCREW, BRACKET TO HYDRAULIC PUMP	55	20
N.S.S.	THROTTLE BODY ASSEMBLY (MCM 228)- ROCHESTER #17058973 .	21	50	10-27165	SCREW, FLYWHEEL HOUSING ATTACHING (1 1/4")	89	4
N.S.S.	VALVE, CHOKE - CHOKE SHAFT (ROCHESTER #7036021)	19	19	10-27165	SCREW, ALTERNATOR BRACE TO CYLINDER BLOCK (3/4")	5	31
5-64489	CLAMP, HOSE ATTACHING MCM 228	27	14	10-28063	SCREW, OIL COOLER BRACKET (3/4")	73	10
10-20031	SCREW, COVER ATTACHING (1/2")	43	12	10-28635	SCREW, STARTER SOLENOID TO BRACKET (5/8")	7	10
10-20031	SCREW, COVER TO FLYWHEEL HOUSING (1/2")	73	3	10-28642	SCREW, COVER TO BODY .	33	4
10-20055	SCREW, GROUND CABLE TO ALTERNATOR	3	21	10-28642	SCREW, WATER PUMP SLEEVE (1/4")	29	3
10-20359	SCREW, OIL COOLER MOUNT BRACKET	55	16	10-28701	SCREW, WATER PUMP SLEEVE (1/4")	35	3
10-20639	SCREW, SHIFT CABLE TO ADAPTOR (1 1/8")	79	35	10-28701	SCREW, CARBURETOR MOUNTING (1 9/32")	15	6
10-20639	SCREW, SHIFT CABLE TO ADAPTOR (1 1/8")	85	31	10-29198	SCREW, CARBURETOR MOUNTING (3 1/2")	87	--
10-22485	SCREW, REVERSE LOCK VALVE TO CONTROL VALVE (3/4")	69	4	10-29240	SCREW, ALTERNATOR BRACE TO ALTERNATOR(7/8")MCM 228 TR MIE228	5	27
10-22958	SCREW, THROTTLE CABEL TO CARBURETOR (1 1/8")	15	11	10-30902	SCREW, TERMINAL BLOCK (5/8") MCM 228	9	28
					SCREW, SWITCH ASSEMBLY TO TRANSOM PLATE (3/4")	59	51

PARTS INDEX

Part Number	Description	Pg.	Ref. No.	Part Number	Description	Pg.	Ref. No.
10-31984	SCREW, PUMP TO TRANSMISSION HOUSING (1 3/8")	61	19	10-34354	SCREW, WATER PUMP BRACKET CLAMPING	33	23
10-32132	SCREW, STEERING PUMP TO BRACKET (1 3/4")	55	4	10-34354	SCREW, WATER PUMP BRACKET CLAMPING	35	26
10-32132	SCREW, TRANSMISSION HOUSING TO ENGINE (1 3/4")	61	7	10-34505	BOLT, CAMSHAFT TIMING SPROCKETS (3/4")	43	20
10-32132	SCREW, WATER PUMP TO CYLINDER BLOCK (1 3/4")	49	12	10-34544	SCREW, STARTER MOTOR TO CYLINDER BLOCK (1 15/16")	3	7
10-32417	SCREW, LINK AND CAM TO CONTROL SHAFT (5/8")	63	57	10-34545	SCREW, STARTER MOTOR TO CYLINDER BLOCK (4 21/32")	3	7
10-33231	SCREW, COVER ATTACHING (1/2")	43	14	10-35091	SCREW, DRIVE PLATE TO FLYWHEEL	45	19
10-33231	SCREW, TENSION SPRING TO ARM	57	42	10-35316	BOLT, CYLINDER HEAD TO CYLINDER BLOCK (3 3/4")	41	22
10-33389	SCREW, HOUSING TO INTAKE MANIFOLD (1")	27	5	10-35317	BOLT, CYLINDER HEAD TO CYLINDER BLOCK (1 3/4")	41	20
10-33524	SCREW, CLIP TO BRACKET (5/8")	53	22	10-35318	BOLT, CYLINDER HEAD TO CYLINDER BLOCK (3")	41	21
10-34277	SCREW, CRANKCASE FRONT END COVER TO BLOCK (7/16")	51	30	10-35346	SCREW, WATER PUMP TO CYLINDER BLOCK (2 3/4")	49	12
10-34277	SCREW, FUEL PUMP MOUNTING PLATE	13	6	10-35366	SCREW, LEAD WIRE SUPPORT TO CYLINDER (2 1/2")	49	26
10-34277	SCREW, OIL PAN TO CYL. BLOCK (1/4 - 20 X 7/8")	53	14	10-35366	SCREW, ROCKER VALVE COVER TO CYLINDER HEAD (1/2")	41	3
10-34290	SCREW, SHIFT ACTUATOR TO MOUNTING BRACKET (5/8")	69	21	10-35374	SCREW, FUEL PUMP TO MOUNTING PLATE (1 1/8")	13	3
10-34352	BOLT, PULLEY TO BALANCER (7/8") WITHOUT POWER STEERING	49	21	10-35386	SCREW, CONTROL VALVE TO TRANSMISSION HOUSING (1")	63	51
10-34353	SCREW, BRACE TO STEERING PUMP	35	32	10-35386	SCREW, PUMP TO TRANSMISSION HOUSING (1")	61	19
10-34353	SCREW, BRACE TO STEERING PUMP (1")-WOTJ (POWER STEERING	29	35	10-35386	SCREW, SHIFT BRACKET ATTACHING	59	53
10-34353	SCREW, FLYWHEEL HOUSING TO ENGINE (1")	73	5	10-35585	SCREW, BRACKET TO FLYWHEEL HOUSING	83	13
10-34353	SCREW, WATER PUMP BRACKET TO ENGINE (1")	33	25	10-35585	SCREW, BRACKET TO TRANSMISSION (3/4")	79	22
10-34353	SCREW, WATER PUMP BRACKET TO ENGINE (1")	35	28	10-35765	SCREW, BRACE TO ENGINE (5/8")	3	6
10-34353	SCREW, WATER PUMP BRACKET TO ENGINE (1")	29	31	10-35786	BOLT, PULLEY TO BALANCER (1 1/4") WITH POWER STEERING)	49	21
10-34353	SCREW, BRACE TO STEERING PUMP	33	29	10-35786	SCREW, ADJUSTING BRACE TO BRACKET SCREW (1")	31	39
10-34354	SCREW, BRACKET TO CYLINDER BLOCK (1 1/2")	55	7	10-35786	SCREW, ADJUSTING BRACE TO BRACKET SCREW (1")	33	32
10-34354	SCREW, LIFTING EYE ATTACHING (1 1/2")	49	5	10-35786	SCREW, ADJUSTING BRACE TO BRACKET SCREW (1")	35	35
10-34354	SCREW, MOUNTING BRACKET ATTACHING (1 1/2") MCM 228	7	5	10-35787	SCREW, TRANSMISSION HOUSING TO ENGINE (2 1/4")	61	7
10-34354	SCREW, TRANSMISSION HOUSING TO ENGINE (1 1/2")	61	7	10-36046	SCREW, HARNESS TO TERMINAL BLOCK (1/4")	69	17
				10-37269	SCREW, BRACKET TO TRANSMISSION (2")	81	2

PARTS INDEX

Part Number	Description	Pg.	Ref. No.	Part Number	Description	Pg.	Ref. No.
10-37269	SCREW, CLAMPING - MOUNTING BRACKET (2")	87	11	10-48308	SCREW, ALTERNATOR TO ALTERNATOR BRACKET (3 3/4")	5	37
10-37269	SCREW, CLAMPING- MOUNTING BRACKET (2")	81	10	10-48333	BOLT, OIL PUMP TO CYLINDER BLOCK (2")	53	2
10-37510	BOLT, INTAKE MANIFOLD TO CYLINDER BLOCK (1 1/2")	49	2	10-48424	SCREW, BRACKET TO ENGINE (1 5/8")	75	4
10-37612	SCREW, BRACE TO BRACKET (1 1/4")	55	24	10-48424	SCREW, FLYWHEEL HOUSING TO ENGINE (1 5/8")	73	5
10-37612	SCREW, MOUNTING BRACKET TO ENGINE (1 1/4")	37	2	10-48424	SCREW, MOUNTING BRACKET TO ENGINE (1 5/8")	81	8
10-37612	SCREW, MOUNTING BRACKET TO ENGINE (1 1/4")	81	8	10-49845	SCREW, FLYWHEEL TO CRANKSHAFT	45	17
10-37612	SCREW, MOUNTING BRACKET TO ENGINE (1 1/4")	87	9	10-49956	SCREW, OIL PAN DRAIN	53	10
10-37909	SCREW, FLANGE TO PROPELLER SHAFT (1 1/8")	77	15	10-52200	SCREW, WATER PUMP TO CYLINDER BLOCK (1 1/2")	49	12
10-45218	SCREW, TERMINAL BLOCK (3/8")	59	57	10-52220	BOLT, CONNECTING ROD CAP	45	22
10-45716	SCREW, COVER TO REVERSE LOCK VALVE (15/16")	57	22	10-52498	SCREW, MOUNTING BRACKET ATTACHING (1 1/4")	7	5
10-45754	SCREW, FLYWHEEL HOUSING ATTACHING (2")	89	4	10-52498	SCREW, SHIFT BRACKET TO FLYWHEEL HOUSING (1 1/2")	57	6
10-46718	SCREW, WIRING HARNESS PLATE TO MOUNTING BRACKET (3/4")	7	3	10-53016	SCREW, OUTPUT HOUSING TO TRANSMISSION HOUSING (1 1/4")	65	101
10-46736	SCREW, CAM TO CAM LEVER (1/2")	57	15	10-53192	SCREW, CAM FOLLOWER TO CAP (1/2")	63	64
10-47220	SCREW, COVER ATTACHING (3/8")	71	15	10-53728	SCREW, EXHAUST MANIFOLD TO CYLINDER HEAD (4 5/8")	23	6
10-47277	SCREW, PULLEY TO WATER PUMP	33	20	10-54528	SCREW, DISTRIBUTOR CLAMP ATTACHING (7/8")	11	21
10-47277	SCREW, PULLEY TO WATER PUMP (3/4")	29	23	10-54786	SCREW, ADAPTOR TO CYLINDER BLOCK	75	15
10-47277	SCREW, PULLEY TO WATER PUMP (3/4")	35	23	10-54786	SCREW, FILTER VALVE TO CYLINDER BLOCK	51	33
10-47277	SCREW, PULLEY TO WATER PUMP (3/4")	49	14	10-54788	BOLT, CRANKSHAFT BEARING CAP TO CYLINDER BLOCK (2 31/32")	45	9
10-47409	SCREW, OIL ADAPTOR TO CYLINDER BLOCK (5")	75	11	10-55714	SCREW, OIL PAN TO BLOCK (5?16 - 18 X 7/8")	53	12
10-47462	SCREW, MOUNTING BRACKET TO TRANSMISSION (1 1/4")	87	2	10-55715	SCREW, OIL PAN TO BLOCK (1/4 - 20 X 7/8")	53	14
10-47462	SCREW, STARTER MOTOR TO CYLINDER BLOCK (1 1/4")	3	7	10-57357	SCREW, CLAMPING- MOUNTING BRACKET (2 1/4")	81	4
10-47618	SCREW, CIRCUIT BREAKER TO BRACKET (1")	7	20	10-58640	SCREW, EXHUAUST ELBOW (1 1/4")-MCM 228 TR	27	17
10-47654	SCREW, CLAMPING- MOUNTING BRACKET (2 3/4")	87	4	10-59994	SCREW, AUTOMATIC CHOKE THERMOSTAT (5/8")	17	34
10-47724	SCREW, TRANSMISSION TO ENGINE (3")	77	2	10-60106	SCREW, FLANGE TO PROPELLER FLANGE (1 1/4")	77	15
10-47724	SCREW, TRANSMISSION TO ENGINE (3")	83	2				

PARTS INDEX

Part Number	Description	Pg.	Ref. No.	Part Number	Description	Pg.	Ref. No.
10-60168	SCREW, FLANGE TO PROPELLER SHAFT (1 1/2") SEE NOTE A AND B	77	14	10-73657	SCREW, END CAP AND FUEL FILTER BRACKET (1 1/2") MIE 228	23	9
10-60169	SCREW, FLANGE TO PROPELLER SHAFT (3/4")	83	8	10-73657	SCREW, END CAP TO MANIFOLD (1 1/2") MCM 228 AND MCM 228 TR	23	9
10-60169	SCREW, FLANGE TO PROPELLER SHAFT (3/4") SEE NOTE A AND B	77	14	10-74824	SCREW, ALTERNATOR BRACE TO ALTERNATOR (1 1/4")-MCM 228 TR	5	27
10-60170	SCREW, FLANGE TO PROPELLER SHAFT (1")	83	8	10-76926	SCREW, ALTERNATOR BRACKET TO EXHAUST MANIFOLD (7/8")	5	35
10-60170	SCREW, FLANGE TO PROPELLER SHAFT (1") SEE NOTE A AND B	77	14	10-76926	SCREW, BRACE TO ENGINE (7/8")	55	28
10-60171	SCREW, FLANGE TO PROPELLER SHAFT (1 1/4")	83	8	10-76926	SCREW, BRACE TO STEERING PUMP (7/8")-WITHOUT POWER	29	35
10-60171	SCREW, FLANGE TO PROPELLER SHAFT (1 1/4") SEE NOTE A AND B	77	14	11-20083	NUT, SHIFT LEVER TO TRANSMISSION	79	27
10-60179	SCREW, TRANSMISSION TO ENGINE (3 1/2")	77	2	11-20083	NUT, SHIFT LEVER TO TRANSMISSION	83	23
10-60300	SCREW, COVER TO TRANSMISSION HOUSING (3/4")	63	34	11-20110	NUT, COVER SCREW	57	23
10-60300	SCREW, PUMP ATTACHING (3/4")	61	23	11-20110	NUT, SHIFT CONTROL LEVER TO CAM LEVER	57	32
10-60777	SCREW, CAM SEGMENT	33	8	11-20190	NUT, THROTTLE CABLE SCREW	15	18
10-60835	SCREW, SPEARATOR TO HOUSING (5") MCM 228	27	25	11-20361	NUT, SHIFT BRACKET STUD	57	5
10-60992	SCREW EXHUAST ELBOW (1 1/4")-MCM 228	27	17	11-20361	NUT, SHIFT CABLE TO LEVER STUD	57	37
10-60992	SCREW, SEPARATOR TO HOUSING (1 1/4") MCM 228	27	26	11-20361	NUT, STARTER SOLENOID SCREW MCM 228	7	11
10-62568	SCREW, ROTARTY TRIM SENDER LEADS MCM 228	9	27	11-20586	NUT, FLAME ARRESTOR STUD	15	21
10-62679	SCREW, ADJUSTING - CLUTCH BAND	65	70	11-20586	NUT, THROTTLE CABLE STUD	15	31
10-63328	SCREW, COVER TO BODY (3")	29	4	11-20645	NUT, CIRCUIT BREAKER TERMINAL	7	19
10-63328	SCREW, COVER TO BODY (3")	35	4	11-20645	NUT, OIL PRESSURE SENDER TERMINAL (#10)	3	17
10-63826	SCREW, FLYWHEEL HOUSING TO ENGINE (2 1/2")	73	6	11-20645	NUT, TERMINAL BLOCK AND COVER SCREW	69	11
10-65027	SCREW, CAP TO CONTROL VALVE (1")	63	61	11-20645	NUT, WATER TEMPERTURE SENDER TERMINAL (#10)	3	14
10-66137	SCREW, FLANGE TO TRANSMISSION HOUSING (1/2")	61	26	11-20696	NUT< MOUNTING BRACKET SCREW	7	7
10-66652	SCREW, BRACKET TO IGNITION COIL (1 1/2")	11	25	11-20739	NUT, JAM - ENGINE MOUNT BASE	87	17
10-69028	SCREW, STARTER SOLENOID TO BRACKET (3/4") MCM 228	7	10	11-20739	NUT, JAM - MOUNTING BRACKET	37	5
10-69028	SCREW, STOP (3/4")	69	19	11-20739	NUT, JAM-ENGINE MOUNT BASE	81	16
10-72626	BOLT, PULLEY AND HARMONIC BALANCER TO CRANKSHAFT (2")	49	18	11-20739	WASHER, COVER TO BODY SCREW	35	5
				11-20890	NUT, ALTERNATOR TERMINAL	5	20C
				11-20890	NUT, CRANK ARM	71	14
				11-21612	NUT, JAM - ADJUSTING SCREW	65	72

PARTS INDEX

Part Number	Description	Pg.	Ref. No.	Part Number	Description	Pg.	Ref. No.
11-21612	NUT, JAM - OIL COOLER ..	61	32	11-46438	NUT, SHIFT CABLE TO		
11-21825	NUT, FUSE STUD	9	38		BRACKET STUD (10-32) .	83	16
11-22024	NUT, FLANGE SCREW	77	17	11-46438	NUT, TERMINAL BLOCK		
11-22024	NUT, FLANGE SCREW	83	11		SCREW MCM 228	9	29
11-22024	NUT, TRANSMISSION STUD	77	5	11-46793	NUT, CARBURETOR		
11-22053	NUT, CLIP SCREW	53	25		MOUNTING STUD	15	9
11-23161	NUT, ALTERNATOR			11-46793	NUT, CARBURETOR STUDS	15	9
	BRACKET SCREW	5	40	11-46793	NUT, SHIFT CABLE SCREW		
11-24652	NUT, RETAINER STUD	67	107		(5/16-24)	79	37
11-24656	NUT, TERMINAL BLOCK AND			11-46793	NUT, SHIFT CABLE SCREW		
	COVER SCREW	69	16		(5/16-24)	85	33
11-24883	NUT, ADJUSTING BRACE			11-46887	NUT, REVERSE LOCK		
	SCREW	31	41		VALVE SCREW	69	6
11-24883	NUT, ADJUSTING BRACE			11-46887	NUT, SHIFT CABLE		
	SCREW	33	33		ADAPTOR STUD (1/4-28) .	79	31
11-24883	NUT, ADJUSTING BRACE			11-46887	NUT, SHIFT CABLE		
	SCREW	35	36		ADAPTOR STUD (1/4-28) .	83	27
11-24883	NUT, TRANSMISSION			11-46887	NUT, STOP SCREW	69	20
	FLANGE SCREW	77	17	11-47626	NUT, OIL LEVEL GAUGE		
11-26419	NUT, STARTER TERMINAL				TUBE	53	17A
	(#8)	3	11	11-49838	NUT, EXHAUST ELBOW TO		
11-28941	NUT, JAM - FLAME				EXHAUST MANIFOLD		
	ARRESTOR	15	3		STUD	25	17
11-29031	STARTER MOTOR STUD ...	3	4	11-49838	NUT, RISER TO EXHAUST		
11-29553	NUT, CLAMPING SCREW ..	81	12		ELBOW STUD	87	--
11-29553	NUT, CLAMPING SCREW ..	81	6	11-52412	NUT, MOUNT BRACKET		
11-29553	NUT, SCREW CLAMPING ..	87	13		SCREW	55	17
11-29553	NUT, SCREW CLAMPING ..	87	7	11-52412	NUT, OIL COOLER BRACKET		
11-30968	NUT, GROUND CABLE TO				SCREW	73	11
	ALTERNATOR			11-63341	TEE NUT, SHIFT CABLE		
	ATTACHING	3	20A		STUD	57	40
11-32219	NUT, BRACE SCREW(EARLY			11-68219	NUT, HARNESS ATTACHING	77	12
	STYLE ENGINES)	55	27	11-68219	NUT, IGNITION COIL		
11-32219	NUT, FLYWHEEL HOUSING				TERMINAL	11	28
	STUD	89	7	11-68219	NUT, STARTER SOLENOID		
11-32219	NUT, FLYWHEEL HOUSING				TERMINAL (10-32)	7	14
	TO ENGINE STUD	73	5C	11-68292	NUT, STARTER SOLENOID		
11-32219	NUT, STARTER TERMINAL				TERMINAL (5/16")	7	16
	(3/8")	3	9	11-68531	NUT, ALTERNATOR		
11-34516	NUT, ROCKER VALVE ARM				TERMINAL	3	25
	STUD	41	16	11-86317	NUT, STEERING PUMP		
11-34933	NUT, COUPLER STUDS TO				STUD	55	10
	FLYWHEEL	45	15	12-20084	WASHER, CARBURETOR		
11-35814	NUT, FUEL FILTER SCREW	13	16		MOUNTING STUD AND		
11-35814	NUT, SWITCH ACTUATING				SCREW	15	8
	ARM STUD	59	49	12-20084	WASHER, CARBURETOR		
11-37493	NUT, CONNECTING ROD				STUDS	15	8
	CAP BOLT	45	23	12-20084	WASHER, CPVER TP BPDU		
11-37500	NUT, BAFFLE TO CYLINDER				SCREW	29	5
	BLOCK STUD	53	7	12-20084	WASHER, FUEL FILTER		
11-46438	NUT, CIRCUIT BREAKER				SCREW	13	15
	SCREW	9	25	12-20084	WASHER, IGNITION COIL		
11-46438	NUT, CIRCUIT BREAKER				ATTACHING SCREW	11	30
	TERMINAL	7	19	12-20128	WASHER, THROTTLE CABLE		
11-46438	NUT, SHAFT CABLE TO				SCREW	15	17
	BRACKET STUD (10-32) .	79	21	12-20533	WASHER, SHIFT CABLE		
11-46438	NUT, SHIFT CABLE				ADAPTOR STUD	79	30
	ADAPTOR STUD (10-32) .	79	34	12-20533	WASHER, SHIFT CABLE		
11-46438	NUT, SHIFT CABLE				ADAPTOR STUD	83	26
	ADAPTOR STUD (10-32) .	85	30				

PARTS INDEX

Part Number	Description	Pg.	Ref. No.	Part Number	Description	Pg.	Ref. No.
12-20553	WASHER, ALTERNATOR BRACKET SCREW	5	39	12-35332	WASHER, PULLEY AND HARMONIC BALANCER BOLT	49	20
12-20553	WASHER, OIL LEVEL TUBE BRACKET	53	24	12-37407	WASHER, SHIFT CABLE ADAPTOR STUD	85	29
12-20553	WASHER, WATER PUMP BRACKET SCREW	33	27	12-37407	WASHER, SHIFT CABLE TO BRACKET STUD	79	20
12-20572	WASHER, FLYWHEEL HOUSING SCREW - SPECIAL (3/8")	89	5	12-37407	WASHER, SHIFT CABLE TO BRACKET STUD	83	15
12-20572	WASHER, FLYWHEEL HOUSING TO ENGINE SCREW	73	6A	12-38622	WASHER, BRACKET SCREW (FOR SLOT)	55	9
12-20583	WASHER, REVERSE LOCK VALVE	69	5	12-39143	WASHER, SHIFT CABLE TO LEVER STUD	57	4
12-20722	WASHER, SHIFT LEVER TO TRANSMISSION	79	25	12-39143	WASHER, SHIFT LEVER STUD	57	36
12-20722	WASHER, SHIFT LEVER TO TRANSMISSION	83	21	12-39167	WASHER, CAMSHAFT TIMING SPROCKET BOLT	43	21
12-21273	WASHER, CAM LEVER STUD	57	31	12-45713	WASHER, RETAINING - BALL TO VALVE COVER	57	17
12-21631	WASHER, THROTTLE CABLE STUD	15	29	12-45728	WASHER, SEALING - PUMP SCREW	61	20
12-22248	WASHER, SHIFT BRACKET ATTACHING SCREW	57	7	12-47523	WASHER, OIL ADAPTOR SCREW	75	12
12-22753	WASHER, SHIFT CABLE SCREW	79	36	12-47960	WASHER, CORCIOT BREALER SCREW	7	22
12-22753	WASHER, SHIFT CABLE SCREW	85	32	12-49112	WASHER, INTAK MANIFOLD BOLT	49	3
12-22887	WASHER, TERMINAL BLOCK AND COVER SCREW	69	9	12-53705	WASHER, END CAP SCREW MCM 228	23	9A
12-22937	WASHER, FLAME ARRESTOR STUD (METAL)	15	20	12-56681	WASHER, SHIFT CABLE ADAPTOR STUD	79	33
12-26168	WASHER, ALTERNATOR BRACE SCREW	5	29	12-56681	WASHER, THROTTLE CABLE SCREW	15	14
12-26825	WASHER, SWITCH ACTUATING ARM STUD	59	48	12-59570	WASHER, VALVE COVER	57	21
12-26825	WASHER, TENSION SPRING SCREW	57	43	12-62684	WASHER, THRUST - OUTPUT HOUSING	67	105
12-29245	WASHER, STARTER MOTOR STUD	3	3	12-62781	WASHER, SEALING - ADJUSTING SCREW	65	71
12-30164	WASHER, CIRCUIT BREAKER SCREW	7	24	12-71836	WASHER, CONTROL VALVE SHAFT	63	59
12-30164	WASHER, CIRCUIT BREAKER TERMINAL	7	18	12-79643	WASHER, BRACE SCREW (FOR SLOT)	35	25A
12-30164	WASHER, GROUND CABLE SCREW	3	23	12-86400	WASHER, FLAME ARRESTOR STUD (RUBBERIZED)	15	20
12-30164	WASHER, IGNITION COIL TERMINAL	11	26	13-21804	LOCKWASHER, REVERSE LOCK VALVE SCREW	57	30
12-34567	WASHER, COUPLER TO FLYWHEEL STUD	45	14	13-24669	LOCKWASHER, FUSE STUD NUT	9	37
12-34714	WASHER, ADJUSTING BRACE SCREW	31	37	13-25906	WASHER, WAVE - REVERSE LOCK VALVE	57	12
12-34714	WASHER, ADJUSTING BRACE SCREW	33	31	13-26991	LOCKWASHER, ALTERNATOR TERMINAL	3	24
12-34714	WASHER, ADJUSTING BRACE SCREW	35	34	13-26992	LOCKWASHER, ALTERNATOR TERMINAL NUT	5	20D
12-34714	WASHER, BRACE SCREW	55	25	13-26992	LOCKWASHER, BRACKET SCREW	79	23
12-34714	WASHER, WATER PUMP BRACKET SCREW	29	33				

PARTS INDEX

Part Number	Description	Pg.	Ref. No.	Part Number	Description	Pg.	Ref. No.
13-26992	LOCKWASHER, CAM SCREW	63	62	13-26996	LOCKWASHER, WATER TEMPERATURE SENDER TERMINAL (#10)	3	13
13-26992	LOCKWASHER, COVER SCREW	43	13	13-29402	WAVE WASHER, SHIFT CABLE ADAPTOR STUD	79	32
13-26992	LOCKWASHER, COVER SCREW	63	35	13-29402	WAVE WASHER, SHIFT CABLE ADAPTOR STUD	83	28
13-26992	LOCKWASHER, COVER SCREW	73	4	13-32993	LOCKWASHER, BRACKET SCREW	81	3
13-26992	LOCKWASHER, FLANGE SCREW	61	27	13-32993	LOCKWASHER, CLAMPING SCREW	81	11
13-26992	LOCKWASHER, LINK AND CAM SCREW	63	58	13-32993	LOCKWASHER, CLAMPING SCREW	81	5
13-26992	LOCKWASHER, OIL PAN SCREW	53	13	13-32993	LOCKWASHER, CLAMPING SCREW	87	5
13-26992	LOCKWASHER, PUMP SCREW	61	24	13-32993	LOCKWASHER, FLANGE SCREW	77	16
13-26992	LOCKWASHER, SHIFT ACTUATOR SCREW	69	22	13-32993	LOCKWASHER, FLANGE SCREW	83	10
13-26992	LOCKWASHER, STARTER SOLENOID SCREW	7	12	13-32993	LOCKWASHER, MOUNTING BRACKET SCREW	87	3
13-26993	LOCKWASHER, IGNITION COIL ATTACHING SCREW	11	31	13-32993	LOCKWASHER, SCREW CLAMPING	87	12
13-26993	LOCKWASHER, OIL PAN SCREW	53	15	13-32993	LOCKWASHER, STARTER MOTOR SCREW	3	8
13-26993	LOCKWASHER, SHIFT LEVER TO TRANSMISSION	79	26	13-32993	LOCKWASHER, TRANSMISSION SCREW	83	3
13-26993	LOCKWASHER, SHIFT LEVER TO TRANSMISSION	83	22	13-32993	LOCKWASHER, TRANSMISSION SCREW AND STUD	77	4
13-26993	LOCKWASHER, STARTER SOLENOID TERMINAL (5/16")	7	15	13-35048	LOCKWAHSER, WATER PUMP BRACKET SCREW	33	26
13-26995	LOCKWASHER, STARTER TERMINAL (#8)	3	10	13-35048	LOCKWASHER, ADJUSTING BRACE SCREW	31	36
13-26996	LOCKWASHER, CAM SCREW	57	16	13-35048	LOCKWASHER, ADJUSTING BRACE SCREW	33	30
13-26996	LOCKWASHER, CIRCUIT BREAKER TERMINAL	7	18	13-35048	LOCKWASHER, ADJUSTING BRACE SCREW	35	33
13-26996	LOCKWASHER, GROUND CABLE ATTACHING NUT	5	20B	13-35048	LOCKWASHER, ALTERNATOR	5	32
13-26996	LOCKWASHER, GROUND CABLE SCREW	3	22	13-35048	LOCKWASHER, ALTERNATOR BRACKET SCREW	5	36
13-26996	LOCKWASHER, HARNESS ATTACHING	77	11	13-35048	LOCKWASHER, BRACE SCREW	55	26
13-26996	LOCKWASHER, IGNITION COIL TERMINAL	11	27	13-35048	LOCKWASHER, BRACE SCREW	55	29
13-26996	LOCKWASHER, OIL PRESSURE SENDER TERMINAL (#10)	3	16	13-35048	LOCKWASHER, BRACKET SCREW	55	21
13-26996	LOCKWASHER, STARTER SOLENOID TERMINAL (#10)	7	13	13-35048	LOCKWASHER, BRACKET SCREW	55	8
13-26996	LOCKWASHER, TERMINAL BLOCK AND COVER SCREW	69	10	13-35048	LOCKWASHER, CRANKSHAFT PULLEY BOLT	49	22
13-26996	LOCKWASHER, TERMINAL BLOCK AND COVER SCREW	69	14	13-35048	LOCKWASHER, DRIVE PLATE SCREW	45	20
				13-35048	LOCKWASHER, ELBOW SCREW MCM 228 AND MCM 228 TR	27	18

PARTS INDEX

Part Number	Description	Pg.	Ref. No.	Part Number	Description	Pg.	Ref. No.
13-35048	LOCKWASHER, LIFTING EYE SCREW	49	6	13-39107	LOCKWASHER, SHIFT BRACKET ATTACHING SCREW	59	54
13-35048	LOCKWASHER, MOUNTING BRACKET SCREW	7	6	13-39107	LOCKWASHER, WATER PUMP PULLEY SCREW ..	29	24
13-35048	LOCKWASHER, MOUNTING BRACKET SCREW	37	3	13-39107	LOCKWASHER, WATER PUMP PULLEY SCREW ..	33	21
13-35048	LOCKWASHER, MOUNTING BRACKET SCREW	81	9	13-39107	LOCKWASHER, WATER PUMP PULLEY SCREW ..	35	24
13-35048	LOCKWASHER, MOUNTING BRACKET SCREW	81	9	13-39107	LOCKWASHER, WATER PUMP PULLEY SCREW ..	49	15
13-35048	LOCKWASHER, MOUNTING BRACKET SCREW	87	10	13-39107	WASHER, OIL PAN SCREW	53	13
13-35048	LOCKWASHER, SEPARATOR SCREW MCM 228	27	27	13-39131	LOCKWASHER, FLYWHEEL SCREW	45	16
13-35048	LOCKWASHER, STEERING PUMP SCREW	55	5	13-39131	LOCKWASHER, PULLEY AND HARMONIC BALANCER BOLT	49	19
13-35048	LOCKWASHER, TRANSMISSION FLANGE SCREW	77	16	13-48338	SPROCKET, CRANKSHAFT TIMING	43	19
13-35048	LOCKWASHER, TRANSMISSION HOUSING SCREW	61	8	13-68102	LOCKWASHER, MOUNTING BRACKET	37	6
13-35048	LOCKWASHER, WATER PUMP BRACKET SCREW	29	30	13-68102	LOCKWASHER, MOUNTING BRACKET	81	14
13-35048	LOCKWASHER, WATER PUMP BRACKET SCREW	29	32	14-66658	LOCKWASHER, MOUNTING BRACKET	87	15
13-35048	LOCKWASHER, WATER PUMP BRACKET SCREW	35	27	14-66658	TAB WASHER, BASE NUT ..	81	17
13-35048	LOCKWASHER, WATER PUMP BRACKET SCREW	35	29	16-32027	TAB WASHER, ENGINE MOUNT BASE	87	18
13-3548	LOCKWASHER WATER PUMP BRACKET SCREW	33	24	16-32808	STUD, RETAINER TO OUTPUT HOUSING	65	97
13-37459	LOCKWASHER, ADJUSTING BRACE SCREW	31	40	16-33213	STUD, COUPLER TO FLYWHEEL	45	13
13-37459	LOCKWASHER, BRACKET SCREW	75	5	16-34521	STUD, FLAME ARRESTOR MOUNTING - CARBURETOR	15	2
13-37459	LOCKWASHER, FLYWHEEL HOUSING SCREW	73	5A	16-34522	STUD, ROCKER VALVE ARM (.013 O.S.)	41	18
13-37459	LOCKWASHER, FLYWHEEL HOUSING SCREW (3/8") ..	89	5	16-35342	STUD, ROCKER VALVE ARM (.003 O.S.)	41	18
13-37459	LOCKWASHER, RISER TO EXHAUST ELBOW STUD ..	87	--	16-35897	STUD, WATER PUMP TO CYLINDER BLOCK	49	12
13-37459	LOCKWASHER, THERMOSTATE HOUSING SCREW	27	6	16-45715	STUD, THROTTLE CABLE TO MOUNTING BRACKET (1 11/16")	15	28
13-39107	LOCKWASHER, ALTERNATOR BRACE SCREW (MCM 228 TR) ..	5	28	16-46857	STUD, SHIFT CONTROL LEVER TO CAM LEVER (23/32")	57	26
13-39107	LOCKWASHER, CARBURETOR MOUNTING SCREW	87	--	16-46857	STUD, CARBURETOR MOUNTING (1 7/8")	15	7
13-39107	LOCKWASHER, CLIP SCREW	53	23	16-48680	STUD, CARBURETOR MOUNTING (1 7/8")	87	--
13-39107	LOCKWASHER, CONTROL VALVE BRACKET SCREW	69	26	16-48680	STUD, SHIFT CABLE ADAPTOR TO SHIFT LEVER (1 1/4")	79	29
13-39107	LOCKWASHER, CONTROL VALVE SCREW	63	52	16-49545	STUD, SHIFT CABLE ADAPTOR TO SHIFT LEVER (1 1/4")	83	25
13-39107	LOCKWASHER, COVER SCREW	43	15		STUD, EXHAUST ELBOW TO RISER (1 3/4")	87	--

PARTS INDEX

Part Number	Description	Pg.	Ref. No.	Part Number	Description	Pg.	Ref. No.
16-52387	STUD, STARTER MOTOR			22-20025	PLUG, PIPE - FUEL FILTER		
	STUD	3	2		(SLOTTED)	13	12
16-53722	STUD, CARBURETOR			22-20025	PLUG, PUMP	61	14
	MOUNTING (4 3/8")	15	7	22-31345	FITTING, GREASE -		
16-53724	STUD, CARBURETOR				RETAINER	67	108
	MOUNTING (1 3/4")	15	7	22-32802	PLUG, EXHAUST ELBOW TO		
16-54790	STUD, OIL PAN BAFFLE				RISER	87	--
	ATTACHING	45	10	22-32802	PLUG, PIPE (FOR WATER		
16-57921	STUD, TRANSMISSION TO				PUMP BODY)	33	35
	ENGINE (4")	77	3	22-32802	PLUG, PIPE (FOR WATER		
16-60607	STUD, MANIFOLD TO RISER				PUMP BODY)	33	35
	(2 1/4")	87	--	22-32802	PLUG, PIPE (FOR WATER		
16-63081	STUD, SHIFT CABLE TO				PUMP BODY)	35	38
	LEVER	57	34	22-32802	PLUG, PIPE - EXHAUST		
16-63332	STUD, CARBURETOR				ELBOW	23	12
	MOUNTING (1 9/32")	15	7	22-32802	PLUG, PIPE - EXHAUST		
16-63335	STUD, SHIFT CABLE TO				MANIFOLD	23	4
	SHIFT LEVER	57	38	22-32876	NIPPLE, SIGHT GLASS TO		
16-64066	STUD, FLYWHEEL HOUSING				FUEL PUMP	13	8
	ATTACHING (2 1/4")	89	6	22-33198	PLUG, EXHAUST ELBOW	23	13
16-64066	STUD, FLYWHEEL HOUSING			22-33198	PLUG, PIPE	27	4
	TO ENGINE	73	5B	22-33821	ELBOW, FUEL LINE TO		
16-66203	STUD, GUARD TO INTAKE				FUEL PUMP AND FUEL		
	MANIFOLD	49	7		FILTER	13	17
16-73563	STUD, SWITCH ACTUATING			22-36305	ELBOW, EXHAUST RISER	87	--
	ARM TO SHIFT BRACKET			22-36373	PLUG, PIPE - ADAPTOR (3/8-		
	(2 5/16")	57	3		18)	75	2
16-79661	STUD, SHIFT CABLE TO			22-36373	PLUG, PIPE - COVER	61	31
	BRACKET (1 3/4")	57	2	22-36373	PLUG, PIPE - OIL PAN		
17-24800	ROLL PIN, CONTROL SHAFT	63	55		DRAIN	53	10
17-24813	PIN, DOWEL - CAMSHAFT			22-36373	PLUG, PIPE -		
	TIMING SPROCKET (1/4"				TRANSMISSION HOUSING	61	6
	DIA.)	43	22	22-36382	PLUG, PIPE - ADAPTOR (1/4-		
17-24813	PIN, DOWEL - REAR				18)	75	2
	CRANKSHAFT BEARING			22-36382	PLUG, PIPE - FUEL FILTER	13	12
	CAP (1/4" DIA.)	45	5	22-37760	ELBOW, OIL COOLER	55	18
17-35312	PIN, DOWEL - CRANKCASE			22-39072	PLUG, CONTROL VALVE	63	38
	FRONT END COVER AND			22-39072	PLUG, PIPE - OUTPUT		
	OIL PUMP	45	--		SHAFT	65	78
17-35465	PIN, DOWEL - CYLINDER			22-45084	FITTING, EXHAUST ELBOW	25	18
	BLOCK TO CYL. HEAD			22-45794	ELBOW, HYDRAULIC TRIM		
	(5/16" DIA.)	43	5		HOSE TO REVERSE LOCK		
17-48140	PIN HINGE - FLOAT	19	22	22-46932	VALVE	57	9
17-62730	PIN, LEVER TO CONTROL				ELBOW, OIL PRESSURE		
	VALVE	63	41		SENDER	3	18
18-32857	COTTER PIN, SHIFT			22-47540	PLUG, ALLEN HEAD	27	3
	ACTUATING CABLE TO			22-47625	ELBOW, OIL LEVEL GAUGE		
	ACTUATING ARM	59	45		TO OIL PAN	53	19
19-34270	PLUG, EXPANSION -			22-47629	ELBOW, HOSE TO OIL		
	CYLINDER BLOCK (1 5/8"				COOLER	77	8
	DIA.)	43	4	22-47629	ELBOW, HOSE TO OIL		
19-35308	PLUG, EXPANSION -				COOLER (90 DEGREES)	83	19
	CYLINDER BLOCK (1 1/4")	43	2	22-47629	ELBOW, HOSE TO		
19-59504	PLUG, IMPELLER	29	9		TRANSMISSION (90		
19-59504	PLUG, IMPELLER	33	9		DEGREES)	77	6
19-59504	PLUG, IMPELLER	35	9		ELBOW, HOSE TO		
19-62753	PLUG, PUMP	61	18	22-47629	TRANSMISSION (90		
19-71900	PLUG, OIL LEVEL GAUGE				DEGREES)	79	18
	HOLE - CYLINDER				ELBOW, HOSE TO		
	BLOCK(MIE 228)	43	23		TRANSMISSION (90		
					DEGREES)		

PARTS INDEX

Part Number	Description	Pg.	Ref. No.	Part Number	Description	Pg.	Ref. No.
22-47902	VENT, TRANSMISSION HOUSING	61	2A	23-46742	SPACER, RUBBER MOUNT - FLYWHEEL HOUSING	89	3
22-48118	PLUG, EXHAUST MANIFOLD	23	3	23-47511	SLEEVE, THERMOSTAT HOUSING	27	2
22-48166	FITTING, STRAIGHT - REVERSE LOCK VALVE	69	2	23-47511	SLEEVE, WATER (OUTLET AND INLET)	33	2
22-48167	CONNECTOR, ELBOW	57	10	23-47797	BUSHING, REVERSE CLUTCH LEVER	63	39
22-48340	PLUG, PIPE - CYLINDER BLOCK (1/4" DIA.)	43	-	23-52205	BEARING UNIT, CRANKSHAFT (STANDARD)	45	3
22-48358	PLUG, INTAKE MANIFOLD VACUUM HOLE	15	5	23-52206	BEARING UNIT, CRANKSHAFT MAIN (.001 U.S.)	45	3
22-52644	PLUG, PIPE - REVERSE LOCK VALVE	57	24	23-52207	BEARING UNIT, CRANKSHAFT MAIN (.002 U.S.)	45	3
22-52666	ELBOW, REVERSE LOCK VALVE	69	3	23-52209	BEARING UNIT, CRANKSHAFT MAIN (.010 U.S.)	45	3
22-62910	FITTING, EXHUAOST ELBOW MCM 228 TR	25	18	23-52210	BEARING UNIT, CRANKSHAFT MAIN (.020 U.S.)	45	3
22-62910	FITTING, WATER PUMP BODY	31	43	23-52211	BEARING UNIT, CRANKSHAFT MAIN - REAR (STANDARD)	45	4
22-63824	ELBOW, HOSE TO TRANSMISSION (90 DEGREES)	79	18	23-52212	BEARING UNIT, CRANKSHAFT MAIN - REAR (.001 U.S.)	45	4
22-63824	ELBOW, HOSE TO TRANSMISSION (90 DEGREES)	83	4	23-52213	BEARING UNIT, CRANKSHAFT MAIN - REAR (.002 U.S.)	45	4
22-63825	ELBOW, OIL ADAPTOR (90 DEGREES)	75	8	23-52215	BEARING UNIT, CRANKSHAFT MAIN - REAR (.010 U.S.)	45	4
22-63835	ELBOW, HOSE TO TRANSMISSION (45 DEGREES)	77	6	23-52216	BEARING UNIT, CRANKSHAFT MAIN - REAR (.020 U.S.)	45	4
22-64426	DRAIN COCK, CYLINDER BLOCK	43	3	23-52221	BEARING SET (4 PAIR), CONNECTING ROD (STANDARD)	45	24
22-72640	PLUG, EXPANSION - CAMSHAFT BEARING HOLE	43	6	23-52222	BEARING UNIT (PAIR), CONNECTING ROD (.001 U.S.)	45	24
22-73676	NIPPLE, OIL PRESSURE SENDER	3	19	23-52223	BEARING UNIT (PAIR), CONNECTING ROD (.002 U.S.)	47	24
22-78039	COUPLING, OIL LEVEL GAUGE TUBE	53	17B	23-52224	BEARING UNIT (PAIR), CONNECTING ROD (.010 U.S.)	47	24
23-31866	SPACER, SHIFT LEVER STUD	57	35	23-52225	BEARING UNIT (PAIR), CONNECTING ROD (.020 U.S.)	47	24
23-31866	SPACER, THROTTLE CABLE STUD	15	30	23-57938	BUSHING, THROTTLE CABLE SCREW	15	12
23-33186	BUSHING, ALTERNATOR TO BRACKET SCREW	5	38	23-61526	SPACER, TERMINAL BLOCK AND COVER SCREW	69	15
23-34948	BUSHING, THROTTLE LEVER	15	13	23-61998	SPACER, CIRCUIT BREAKER GROMMET	7	23
23-36183	RETAINER, OIL PUMP SHAFT	53	5				
23-36365	SPACER, BRACKET SCREW	55	22				
23-36365	SPACER, OIL COOLER BRACKET	73	13				
23-36534	SPACER, ALTERNATOR BRACE SCREW (MCM 229 TR)	5	30				
23-36534	SPACER, STEERING PUMP SCREW	55	6				
23-37981	SPACER, SWITCH ACUATING ARM TO TRANSOM PLATE	59	47				

PARTS INDEX

Part Number	Description	Pg.	Ref. No.	Part Number	Description	Pg.	Ref. No.
23-72057	SPACER, ADJUSTING BRACE SCREW (WITH POWER STEERING)	31	38	26-72785	OIL SEAL, WATER PUMP SHAFT	33	16
23-85674	BEARING UNIT, CAMSHAFT (SET)	43	7	26-72785	OIL SEAL, WATER PUMP SHAFT	35	19
24-32817	SPRING, THROTTLE RETURN	15	27	26-73522	SEAL, OIL ADAPTOR	75	13
24-33050	SPRING, IDLE NEEDLE	21	52	27-33395	GASKET, EXHAUST MNIFOLD TO CYLINDER HEAD	23	5
24-45599	SPRING, TENSION - SWITCH ACTUATING ARM	57	44	27-34213	GASKET, FUEL PUMP TO CYLINDER BLOCK	13	2
24-48143	SPRING, FILTER NUT	21	43	27-34895	GASKET, CRANKCASE FRONT END COVER	51	29
24-48347	SPRING, VALVE (INLET) . . .	41	9	27-34897	GASKET, WATER PUMP MOUNTING	49	11
24-48347	SPRING, VAVLE (INLET AND EXHAUST)	41	9	27-34898	GASKET, FUEL PUMP MOUNTING PLATE	13	5
24-62677	SPRING, SERVO PISTON . .	63	48	27-48042	GASKET, ELBOW TO MAN.(MCM 228 TR)	23	14
24-62790	SPRING, RELIEF VALVE PISTON	61	16	27-48043	GASKET, END CAP/CONNECTOR TO EXHAUST MANIFOLD . . .	23	8
24-72642	SPRING, VALVE (EXHAUST)	41	9	27-48818	GASKET, THERMOSTAT COVER	27	10
25-33756	RING, SEALING-ADAPTOR AND VALVE	75	16	27-49955	GASKET, OIL PAN DRAIN SCREW	53	11
25-35029	"O" RING, EXHUAST ELBOW TO TRANSOM PLATE . . .	27	21	27-52076	GASKET, ELBOW TO MAN.(MCM 228 TR)	23	14
25-37340	"O" RING, PUMP HOUSING TO INNER WEAR PLATE .	29	13	27-52076	GASKET, ELBOW TO MANIFOLD (MCM 228 AND MIE 228)	23	14
25-37340	"O" RING, PUMP HOUSING TO INNER WEAR PLATE .	35	13	27-52076	GASKET, ELBOW TO RISER	87	--
25-45710	"O" RING, REVERSE LOCK VALVE	57	13	27-52184	GASLET, DISTRIBUTOR . . .	11	19
25-45711	"O" RING, VALUE COVER . .	57	20	27-52202	GASKET, ROCKER VALVE COVER	41	4
25-52188	GROMMET, ROCKER COVER TO VENT HOSE CONNECTOR	15	25	27-52457	GASKET, CARBURETOR (QUAN. OF 2 PER INBOARDS)	15	4
25-59712	"O" RING, WATER PUMP BODY COVER	33	5	27-53045	GASKET, THERMOSTAT HOUSING	27	7
25-61999	GROMMET, CIRCUIT BREAKER SCREW	7	21	27-62724	GASKET, OIL COOLER COVER	61	30
25-62700	"O" RING, PUMP PLUG (3/4" O.D.)	61	21	27-72627	GASKET SET, OIL PAN	53	9
26-23300	OIL SEAL, WATER PUMP SHAFT	29	15	27-72637	GASKET SET, INTAKE MANIFOLD	49	9
26-23300	OIL SEAL, WATER PUMP SHAFT	33	12	27-72779	GASKET, COVER TO OUTER WEAR PLATE	29	6
26-23300	OIL SEAL, WATER PUMP SHAFT	35	15	27-72779	GASKET, COVER TO OUTER WEAR PLATE	35	6
26-34217	SEAL, VALVE	41	8	27-72780	GASKET, BODY TO WEAR PLATE	29	8
26-34218	OIL SEAL, CRANKCASE FRONT COVER(OPPOSITE ROTATION)	51	28	27-72780	GASKET, BODY TO WEAR PLATE	35	8
26-35313	OIL SEAL, REAR CRANKSHAFT BEARING CAP(OPPOSITE ROTATION)	45	6	27-73814	GASKET, END CAP TO EXHAUST MANIFOLD . . .	87	--
26-58203	OIL SEAL, REAR CRANKSHAFT BEARING CAP(STANDARD ROTATION)	45	6	27-75611	GASKET, CYLINDER HEAD .	41	19
26-59342	OIL SEAL, CRANKCASE FRONT COVER(STANDARD ROTATION) 1	49	28	28-34466	KEY, CRANKSHAFT PULLEY AND BALANCER	47	26
				28-54797	KEY, VALVE STEM	41	13
				28-56662	KEY, IMPELLER DRIVE	29	11
				28-56662	KEY, IMPELLER DRIVE	33	11
				28-56662	KEY, IMPELLER DRIVE	35	11

PARTS INDEX

Part Number	Description	Pg.	Ref. No.	Part Number	Description	Pg.	Ref. No.
30-45712	BALL, VALVE COVER	57	18	32-72539	TUBE, OIL LEVEL GAUGE (UPPER)	53	17
30-62697	BALL BEARING, PISTON HOUSING	65	90	32-72837	HOSE, WATER PUMP TO OIL COLLER (WITH POWER STEERING)	29	25
30-62698	BALL BEARING, OUTPUT SHAFT	65	93	32-73794	HOSE, THERMOSTATE HSG. TO EXHAUST MAN. (STBD.)	39	3
30-62699	BALL BEARING, PLANETARY AND CLUTCH DRUM	65	74	32-73795	HOSE, THERMOSTATE HSG. TO EXHAUST MAN. (PORT)	39	3
30-62780	BALL BEARING, OUTPUT HOUSING	65	98	32-73796	HOSE, THERMOSTATE COVER TO EXH. ELBOW	39	1 & 2
30-72961	BALL BEARING, WATER PUMP SHAFT	29	16	32-76847A1	HOSE ASS'Y HSG. TO TRANSOM (W/O POWER STEERING) MCM 228	27	13
30-72961	BALL BEARING, WATER PUMP SHAFT	33	13	32-77479A1	HOSE ASS'Y HSG. TO COOLER (W/POWER STEERING) MCM 228	27	13
30-72961	BALL BEARING, WATER PUMP SHAFT	35	16	32-86216	HOSE, MOLDED - WATER PUMP TO TRANSMISSION COOLER	35	39
31-66723	BEARING, THRUST - INPUT SHAFT	65	75	33-59571	SPARK PLUG (AC#MR43T)	11	33
32-33189	HOSE, THERMOSTAT HOUSING TO WATER PUMP (MOLDED)	27	11	35-53336	FILTER, FUEL INLET	21	44
32-47516--6	HOSE, TRANSMISSION TO OIL COOLER (30")	77	7	35-60494	FUEL FILTER	13	10
32-47516--9	HOSE, OIL COOLER TO TRANSMISSION (37")	83	5	37-77254	DECAL, ROCKER COVER (WAVES)-MCM 228 AND MCM 228 TR	41	-
32-47516-11	HOSE, TRANSMISSION TO OIL COOLER (28")	77	7	37-77255	DECAL, ROCKER COVER (WAVES) MIE 228	41	-
32-47516-12	HOSE, TRANSMISSION TO OIL COOLER (20")	77	7	37-77553	DECAL, HORSEPOWER (228 H. P.)-MCM 228	41	-
32-475166-10	HOSE, TRANSMISSION TO OIL COOLER (33")	83	18	37-77554	DECAL, HORSEPOWER (228 H.P.)-MCM 228 TR	41	-
32-47996	HOSE, VENT - CARBURETOR (12 1/2")	15	22	37-79126	DECAL, HORSEPOWER (228 H.P.) MIE 228	41	-
32-48132	HOSE, THERMOSTATE HOUSING TO EXHAUST MANIFOLD (FRONT)	39	4	39-75609	RING, PISTON - 8 SETS (STANDARD)	45	2
32-48944--8	HOSE, OIL INLET (14")	75	6	39-75981	RING, PISTON - 8 SETS (.030 O.S.)	45	2
32-48944--9	HOSE, OIL INLET (15 1/2")	75	7	43-35338	SPROCKET, CAMSHAFT TIMING (44 TEETH)	43	18
32-48944-11	HOSE, OIL INLET (16 1/2")	75	6	43-48334	GEAR, TIMING - CRANKSHAFT	43	19
32-49044	HOSE, PUMP TO THERMOSTAT HOUSING (WITHOUT POWER STEERING)	29	25	43-48356	GEAR, TIMING - CAMSHAFT	43	18
32-57230	HOSE, MOLDED - WATER PUMP TO TRANSMISSION COOLER	33	36	46-71497A2	PUMP HOUSING	29	14
32-62874	FUEL LINE, FUEL PUMP TO CARBURETOR (V-DRIVE ONLY)	13	19	46-71497A2	PUMP HOUSING	35	14
32-62987--2	HOSE, STARBOARD ELBOW TO TRANSMISSION COOLER	25	19	46-72774	BODY, WATER PUMP (PLASTIC BODY)	35	1A
32-62987--2	HOSE, WATER PUMP TO TRANSMISSION COOLER (34 1/2")	31	44	46-72774A11	WATER PUMP ASSEMBLY	29	1
32-71325	FUEL LINE, FUEL FILTER TO FUEL PUMP (STEEL TUBING)	13	18	46-72774A11	WATER PUMP ASSEMBLY	35	1
32-71326	FUEL LINE, FUEL PUMP TO CARBURETOR	13	19	46-73823A7	WATER PUMP ASSEMBLY	33	1
				47-525774	WATER PUMP BODY	29	1A
				47-59362A1	IMPELLER ASSEMBLY	33	10
				47-59362A1	IMPELLER ASSEMBLY	35	10
				50-76965A1	STARTER MOTOR ASS'Y (DELCO REMY #1109485)	3	1
				50-79604A1	STARTER MOTOR ASS'Y (DELCO REMY #1109484)	3	1

PARTS INDEX

Part Number	Description	Pg.	Ref. No.	Part Number	Description	Pg.	Ref. No.
53-23720	RING, SNAP - BALL BEARING RETAINER	33	15	76-66986	TERMINAL BLOCK, SHIFT BRACKET	59	55
53-23720	RING, SNAP - BALL BEARING RETAINING . . .	29	18	84-65773A6	LEAD ASSEMBLY, PRIMARY TERMINAL	11	10
53-23720	RING, SNAP - BALL BEARING RETAINING . . .	35	18	84-67957--1	LEAD ASSEMBLY, HIGH TENSION (31")	11	32
54-31765	CLAMP, BELLOW TO EXHAUST ELBOW (LOWER)	27	20	84-67957--4	LEAD ASSEMBLY, HIGH TENSION (34")	11	32
54-32523	CLAMP, HOSE ATTACHING	31	45	84-67957--5	LEAD ASSEMBLY, HIGH TENSION (38 1/2")	11	32
54-32523	CLAMP, HOSE ATTACHING MCM 228 TR	25	20	84-67957--7	LEAD ASSEMBLY, HIGH TENSION (24")	11	32
54-32780	CLAMP, HOSE ATTACHING	33	37	84-67957--7	LEAD ASSEMBLY, HIGH TENSION (29 1/2")	11	32
54-32780	CLAMP, HOSE ATTACHING	35	40	84-67957--8	LEAD ASSEMBLY, HIGH TENSION (37")	11	32
54-32780	CLAMP, HOSE ATTACHING MCM 228	27	15	84-67957-11	LEAD ASSEMBLY, HIGH TENSION (42")	11	32
54-32780	CLAMP, WATER PUMP HOSE	29	26	84-70958A1	SWITCH ASSEMBLY, CUT-OUT	69	23
54-32781	CLAMP, HOSE TO THERMOSTAT HOSUING AND WATER PUMP	27	12	84-70959	WIRING HARNESS (MCM 229 TR AND MIE 228) . . .	7	1
54-32781	CLAMP, OIL COOLER TO BRACKET	55	12	84-73125A1	HARNESS NEUTRAL SAFTEY SWITCH	77	10
54-32781	CLAMP, OIL COOLER TO BRACKET	73	9	84-75901	LEAD ASSEMBLY, DISTRIBUTOR TO COIL (5")	11	22
54-32880	CLAMP, HOSE ATTACHING	39	7	84-77441	WIRING HARNESS (MCM 228)	7	1
54-33683	CLAMP, BELLOW TO EXHUAST ELBOW (UPPER)	27	20	84-78581A2	WIRING HARNESS, ALTERNATOR (MCM 228) . . .	9	30
54-47483	"J" CLAMP, CONTROL VALVE SCREW	63	53	84-78581A3	WIRING HARNESS, ALTERNATOR (MCM 228 TR AND MIE 228)	9	30
54-47512	EYE, LIFTING	49	4	84-79139A3	JUMPER WIRE, 90 AMP FUSE TO CIRCUIT BREAKER (MCM 228) . . .	9	35A
54-47528	CLAMP, ADJUSTING TRUNNION SCREW	87	6	84-79139A7	JUMPER WIRE, 90 AMP FUSE TO CIRCUIT BREAKER (MIE 228)	9	35A
54-47545	CLIP, OIL LEVEL TUBE	53	21	85-79695	BOOT, INSULATOR - FUSE . .	9	36
54-47715	CLAMP, HOSE ATTACHING MCM 228	27	14	86-62993	TERMINAL BLOCK, MOUNTING BRACKET . . .	69	12
54-48376	CLIP, AUTOMATIC CHOKE ROD MIE 228	17	36	88-78813	CIRCUIT BRADKER (40 AMP)	7	17
54-53101	CLAMP, VENT HOSE ATTACHING	15	23	88-78813	CIRCUIT BREAKER (50 AMP)	7	17
54-54178	"J" CLIP, TEMPERATURE SENDER LEADS	9	33	88-79023A55	FUSE ASSEMBLY, 55 AMP . .	9	35
54-59989	CLIP, AUTOMATIC CHOKE ROD MCM 228 AND MCM 228 TR	17	36	88-79023A90	FUSE ASSEMBLY, 90 AMP . .	9	35
54-64324	CLAMP, HOSE ATTACHING TO OIL COOLER	55	13	89-76416A1	STARTER SOLENOID	7	9
54-78944	"J" CLIP, MAIN HARNESS LEADS	9	33	89-76416A1	STARTER SOLENOID MCM 228	7	9
54-78945	"J" CLIP, IGNITION LEADS .	9	33	222-4521	FLYWHEEL ASSEMBLY(STERN DRIVE)	45	11
57-48120	BELT, ALTERNATOR DRIVE (46")-	49	23	230-4614	FLYWHEEL ASSEMBLY(INBOARD)	45	11
57-49213	BELT, ALTERNATOR DRIVE (44")	49	23	391-5075	CAP, DISTRIBUTOR	11	2
57-74271	BELT, WATER PUMP	31	42	391-5076	GASKET, DISTRIBUTO CAP	11	3
57-74271	BELT, WATER PUMP	33	34	391-5080	OILER	11	16
57-74271	BELT, WATER PUMP	35	37	391-5083	VENT, SCREEN	11	15
				391-5084	PIN CLAMP TO DISTRIBUTOR	11	12

PARTS INDEX

Part Number	Description	Pg.	Ref. No.	Part Number	Description	Pg.	Ref. No.
391-5085	CLAMP, DISTRIBUTOR CAP			1347-7364A1	CARBURETOR ASSEMBLY,		
	ATTACHING	11	11		COMPLETE (MCM 228 TR		
391-5086	WASHER, DISTRIBUTOR				AND MIE 228)	19	-
	CAP SCREW	11	14	1397-3309	GASKET SET	21	--
391-5087	SCREW, DISTRIBUTOR CAP			1397-3315	SPRING AND CAM KIT, AIR		
	ATTACHING	11	13		VALVE	21	--
391-5089	SCREW, BREAKER			1397-3317	CONTROL ASSEMBLY,		
	ATTACHING	11	9		VACUUM	19	31
391-5090	BREAKER ASSEMBLY	11	8	1397-3327	FLOAT ASSEMBLY	19	21
391-5091	SCREW, CONDENSER			1397-6638	OVERHAUL KIT		
	BRACKET ATTACHING ..	11	7		(SERIAL#5069430 AND		
391-5092	CONDENSER	11	5		BELOW)	21	--
391-5093	BRACKET, CONDENSER			1397-7539	OVERHAUL KIT MCM 228 ..	21	--
	ATTACHING	11	6	1397-7541	OVERHAUL KIT (MIE 228) ..	21	--
391-6390	GEAR, DRIVE	11	17				
391-6391	PIN, DRIVE GEAR	11	18				
391-7057	ROTOR	11	4				
392-4949	ARMATURE	71	2				
392-4951	CRANK ARM ASSEMBLY ...	71	8				
392-4952	GEAR AND GASKET						
	PACKAGE	71	11				
392-4953	GASKET, COVER	71	12				
392-4955	HEAD ASSEMBLY,						
	COMMUTATOR END	71	4				
392-4956	BRUSH SET	71	5				
392-4957	HEA ASSEMBLY, DRIVE END	71	9				
392-4958	PLATE, CAM	71	13				
392-4959	SCREW AND DISC						
	PACKAGE	71	10				
392-4960	SPRING SET, BRUSH	71	3				
392-4962	THRU BOLT	71	6				
392-5699	HARNES ASSEMBLY (3						
	WIRE LEAD)	71	16				
392-5928	FIELD COIL ASSEMBLY ...	71	7				
392-6375	SWITCH PLATE (INCLUDES						
	1 PIECE OF REF. NO. 12)	71	17				
429-6537	CRANKSHAFT	47	25				
431-3357	CAMSHAFT(OPPOSITE						
	ROTATION)	43	16				
431-5943	CAMSHAFT(STANDARD						
	ROTATION)	43	16				
614-3595	CONNECTING ROD						
	ASSEMBLY	45	21				
735-6538	PISTON AND PISTON PIN						
	ASSEMBLY (.001 O.S.) ...	45	1				
735-6616	PISTON AND PISTON PIN						
	ASSEMBLY (.010 O.S.) ...	45	1				
735-6617	PISTON AND PISTON PIN						
	ASSEMBLY (.030 O.S.) ...	45	1				
841-6535	CYLINDER BLOCK	43	1				
841-6535	CYLINDER BLOCK						
	ASSEMBLY	49	24				
938-6536	CYLINDER HEAD ASSEMBLY	41	17				
938-7357	CYLINDER HEAD ASSEMBLY	41	17				
1347-7361A1	CARBURETOR ASSEMBLY						
	(MCM 228)	15	1				
1347-7361A1	CARBURETOR ASSEMBLY,						
	COMPLETE (MCM 228) ..	19	-				