



PARTS CATALOG

MERC 70 (3 CYLINDER)

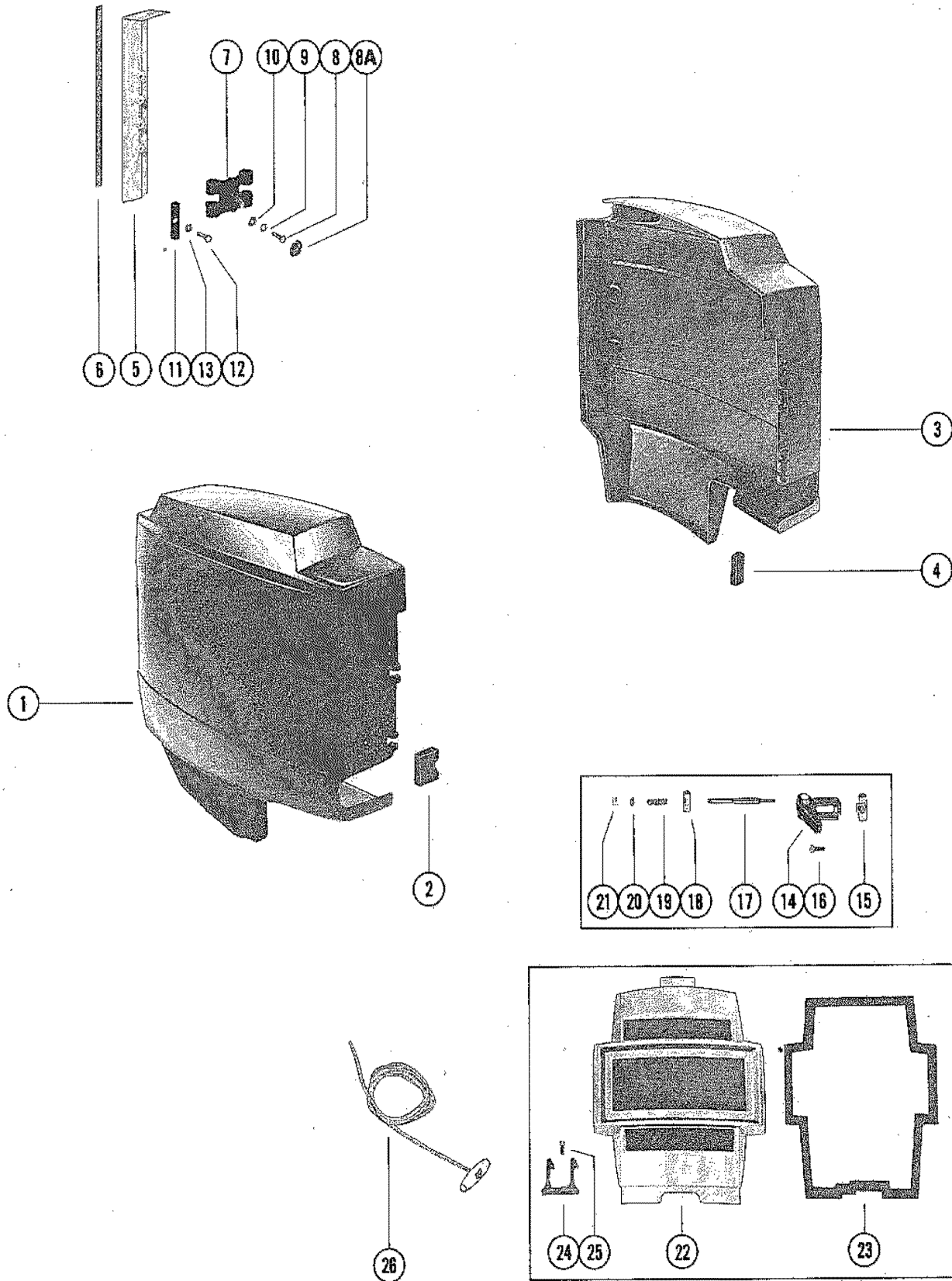
SERIAL NUMBER

70 (3 CYL.)	USA 4571652 THRU 5579016
70 (3 CYL.)	CAN 7087823 THRU 7145937
70 (3 CYL.)	8042350 THRU 8065064
70 (3 CYL.)	BEL 9135825 THRU 9255130

MISCELLANEOUS PARTS/ACCESSORIES

REF. NO.	PART NO.	SYM.	QTY.	DESCRIPTION
-	C-90-75508		0	PARTS CATALOG - Service
-	90-86135--5		0	SERVICE MANUAL
-	A-27-76589A77		0	GASKET SET (MOTOR OVERHAUL) SERIAL GROUP #1
-	A-27-76589A78		0	GASKET SET (MOTOR OVERHAUL) SERIAL GROUP #8
-	A-27-76589A79		0	GASKET SET (MOTOR OVERHAUL) SERIAL GROUP #7
-	A-37-76584A77		0	DECAL SET - SERIAL GROUP #1
-	A-37-78603A78		0	DECAL SET - SERIAL GROUP #8
-	A-37-86427A79		0	DECAL SET - SERIAL GROUP #7

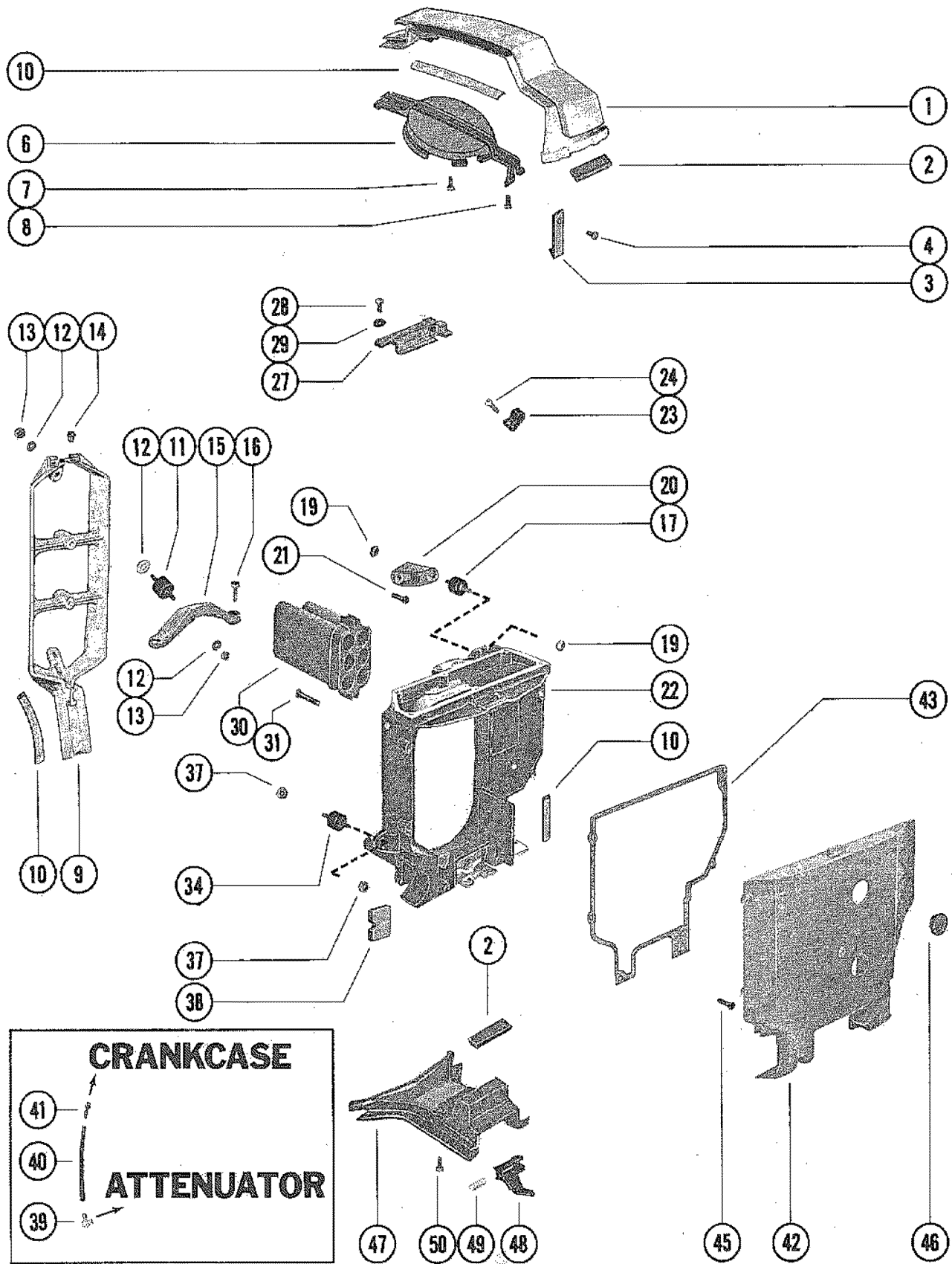
COWLING AND FRONT COVER



COWLING AND FRONT COVER

REF. NO.	PART NO.	SYM.	QTY.	DESCRIPTION
1	2142-6228A1		1	COWL ASSEMBLY (STARBOARD) - WITHOUT DECALS
2	26-60297		1	SEAL, FUEL CONNECTOR-COWL
3	2141-6227A1		1	COWL ASSEMBLY (PORT)-WITHOUT DECALS
4	26-60298		1	SEAL, CONTROL CABLES-COWL
5	69566		1	BRACKET, COWL SEALING-REAR
6	69876--1		2	SEAL, REAR BRACKET
7	69568		2	BRACKET, COWL HINGE
8	10-45561		2	SCREW HINGE BRACKET TO REAR BRACKET-LOWER (1 1/8")
	10-75794		2	SCREW HINGE BRACKET TO REAR BRACKET-UPPER (1 1/8")
8A	75805		2	CAP,HINGE BRACKET SCREW (UPPER)
9	13-26992		4	LOCKWASHER, HINGE BRACKET SCREW
10	12-37998		4	WASHER, HINGE BRACKET SCREW
	12-75806		2	WASHER, HINGE BRACKET SCREW (UPPER)
11	17-60301		4	PIN, COWL HINGE
12	10-28782		4	SCREW, PIN TO COWL (7/8")
13	13-26993		4	LOCKWASHER,PIN ATTACHING SCREW
14	46785A2		2	COWL LATCH ASSEMBLY
15	62628		2	BARRELL, COWL LATCH
16	10-31312		2	SCREW,LATCH ASSEMBLY TO BARREL (7/8")
17	62627		2	BAR, ADJUSTMENT-COWL LATCH
18	62629		2	BARREL, COWL LATCH
19	24-62624		2	SPRING, TENSION - COWL LATCH
20	12-30164		2	WASHER, ADJUSTMENT BAR TO BARREL
21	11-45812		2	NUT, ADJUSTMENT BAR TO BARREL
22	2143-5689A5		1	FRONT COVER ASSEMBLY (WITHOUT DECALS) UNITED STATES 4977156 AND BELOW AUSTRALIA 8050199 AND BELOW BELGIUM 9196960 AND BELOW CANADA 7110997 AND BELOW
	2143-7254A3		1	FRONT COVER ASSEMBLY (WITHOUT DECALS) UNITED STATES 4977157 AND UP AUSTRALIA 8050200 AND UP BELGIUM 9196961 AND UP CANADA 7110998 AND UP
23	75165		1	BLANKET, SOUND ABSORBING UNITED STATES 4977156 AND BELOW AUSTRALIA 8050199 AND BELOW BELGIUM 9196960 AND BELOW CANADA 7110997 AND BELOW
	79551		1	BLANKET, SOUND ABSORBINS UNITED STATES 4977157 AND UP AUSTRALIA 8050200 AND UP BELGIUM 9196961 AND UP CANADA 7110998 AND UP
24	61158		2	HOOK, FRONT COVER FASTENING
25	10-69570		1	SCREW, FASTENING HOOK TO FRONT COVER (3/4")
26	47341A1		1	STARTER ROPE ASSEMBLY (FOR MANUAL STARTING ONLY)

COWL SUPPORT BRACKETS

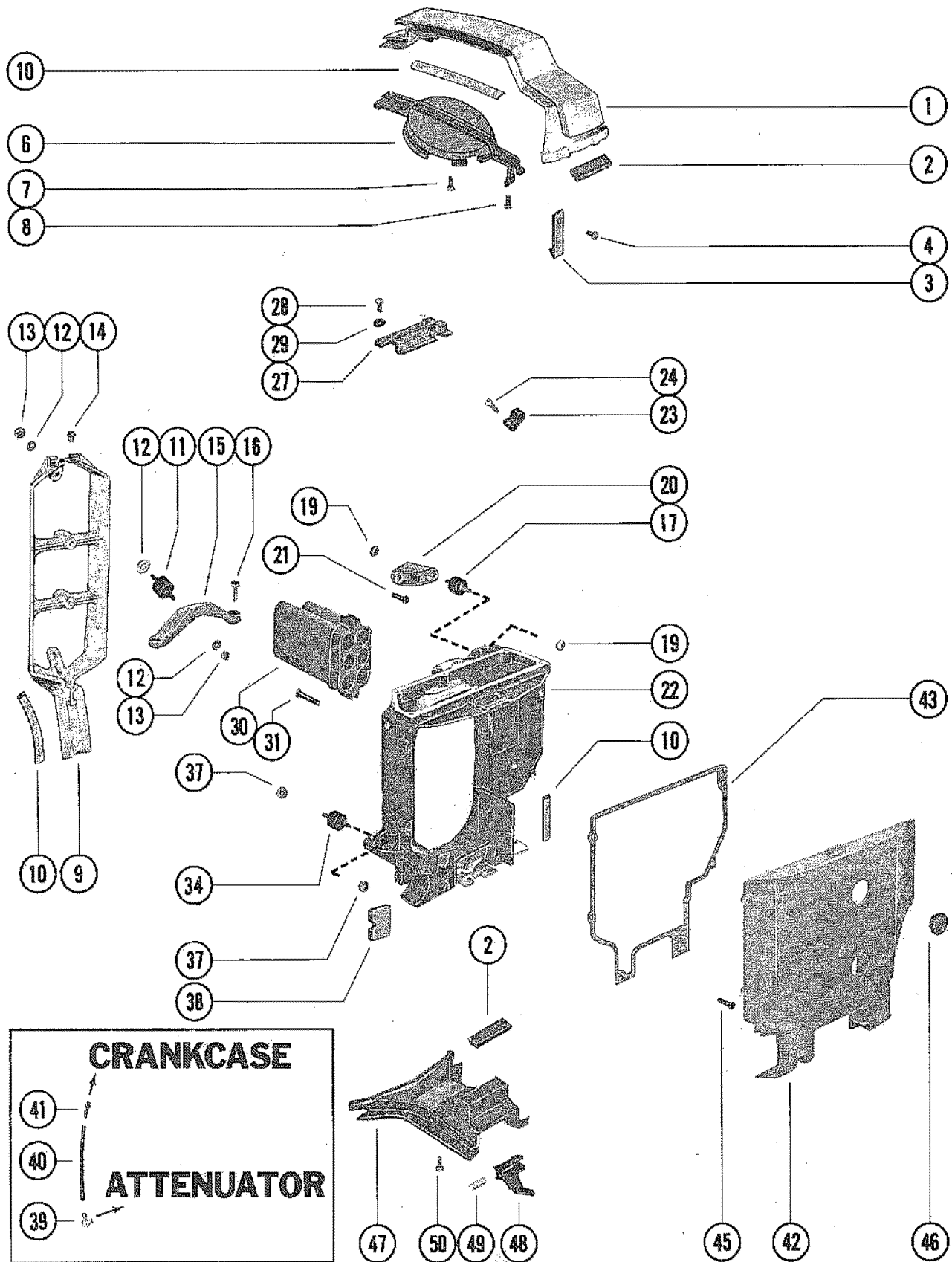


COWL SUPPORT BRACKETS

REF. NO.	PART NO.	SYM.	QTY.	DESCRIPTION
1	73641A1		1	BRACKET, COWL SUPPORT-TOP
2	62444		2	SEAL RUBBER- TOP BRACKET AND COVER MOUNTING PLATE
3	76263		1	CLIP, TOP COWL SUPPORT BRACKET UNITED STATES 4977156 AND BELOW AUSTRALIA 8050199 AND BELOW BELGIUM 9196960 AND BELOW CANADA 7110997 AND BELOW
	79652		1	CLIP, TOP COWL SUPPORT BRACKET UNITED STATES 4977157 AND UP AUSTRALIA 8050200 AND UP BELGIUM 9196961 AND UP CANADA 7110998 AND UP
4	10-48408		1	SCREW, CLIP TO TOP COWL SUPPORT (1/2")
6	76580		1	SHIELD, FLYWHEEL UNITED STATES 4977156 AND BELOW AUSTRALIA 8050199 AND BELOW BELGIUM 9196960 AND BELOW CANADA 7110997 AND BELOW
	79490		1	SHIELD, FLYWHEEL UNITED STATES 4977157 AND UP AUSTRALIA 8050200 AND UP BELGIUM 9196961 AND UP CANADA 7110998 AND UP
7	10-37656		1	SCREW, SHIELD TO TOP SUPPORT BRACKET (5/8")
8	10-48408		3	SCREW, SHIELD TO TOP SUPPORT BRACKET (1/2")
9	74510A2		1	BRACKET, COWL SUPPORT - REAR
10	69876--1		4	SEAL, REAR BRACKET AND TOP BRACKET
11	63007		1	MOUNT RUBBER-BRACE TO REAR TO REAR SUPPORT BRACKET
12	12-20346		2	WASHER RUBBER MOUNT TO REAR SUPPORT BRACKET
13	11-46887		2	NUT RUBBER MOUNT TO REAR SUPPORT BRACKET
14	26901		3	STOP, RUBBER-RAR SUPPORT BRACKET
15	60116		1	BRACE, REAR COWL SUPPORT BRACKET (TOP)
16	10-76596		3	SCREW SUPPORT BRK. BRACE TO CYL. BLOCK COVER (1 1/4")
17	63007		1	MOUNT RUBBER-FRONT SUPPORT BRACKET TO BRACKET
19	11-36069		2	NUT RUBBER MOUNT TO FRONT SUPPORT BRACKET
20	71097		1	BRACKET, RUBBER MOUNT
21	10-59645		1	SCREW, BRACKET TO CRANKCASE (3/4")
22	76577		1	ATTENUATOR, SOUND UNITED STATES 4977156 AND BELOW AUSTRALIA 8050199 AND BELOW BELGIUM 9196960 AND BELOW CANADA 7110997 AND BELOW
	79489		1	ATTENUATOR, SOUND UNITED STATES 4977157 AND UP AUSTRALIA 8050200 AND UP BELGIUM 9196961 AND UP CANADA 7110998 AND UP
23	54-28700		1	CLAMP, WIRES TO SOUND ATTENUATOR
24	10-20031		1	SCREW, CLAMP SCREW
27	75841		1	COVER, MANUAL CHOKE
28	10-38055		4	SCREW, COVER TO TOP COVER
29	12-56681		4	WASHSER, COVER SCREW
30	73986		1	AIR MANIFOLD
31	10-69093		2	SCREW, AIR MANIFOLD TO SOUND ATTENUATOR
34	63007		1	MOUNT, RUBBER-FRONT SUPPORT TO STARTER MOTOR COVER

CONTINUED ON NEXT PAGE ➡

COWL SUPPORT BRACKETS



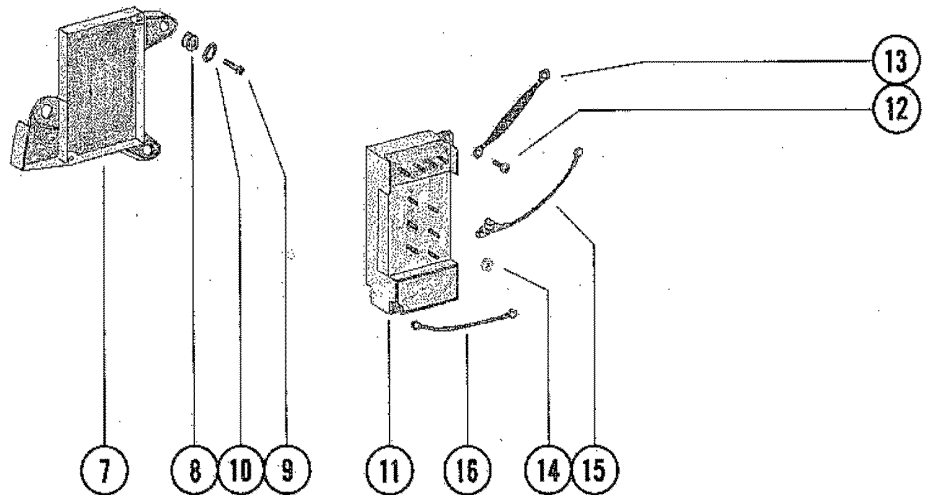
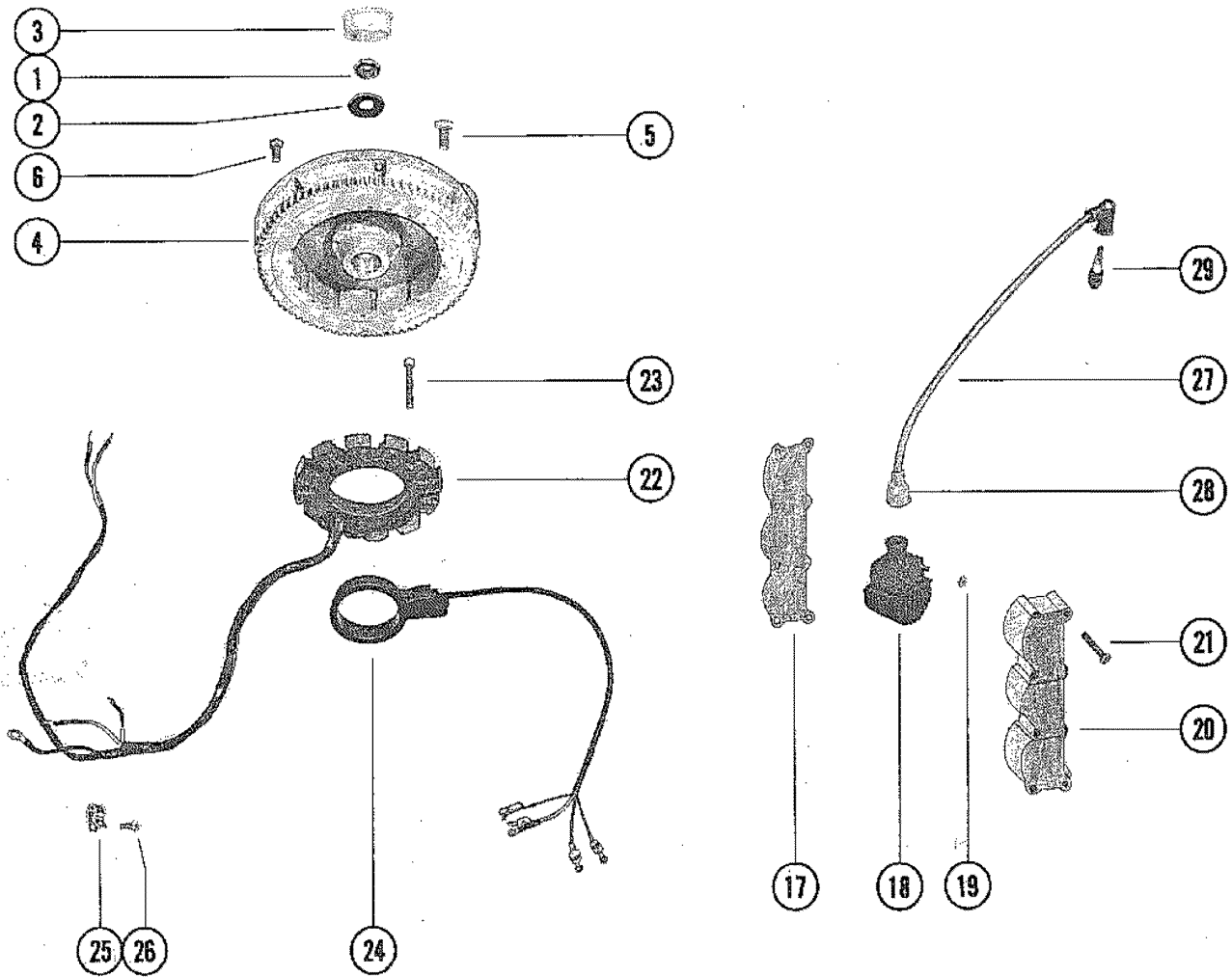
COWL SUPPORT BRACKETS

REF. NO.	PART NO.	SYM.	QTY.	DESCRIPTION
37	11-36069		2	NUT, RUBBER MOUNT ATTACHING
38	76410		1	SEAL, FUEL CONNECTOR-SOUND ATTENUATOR
39	21-77561		1	CONNECTOR, ATTENUATOR
40	32-54936		1	TUBE, VENT (LOWER)
41	22-71191		1	ELBOW, CRANKCASE VENT (PRESS IN)
42	76578		1	COVER, SOUND ATTENUATOR (FRONT)
43	27-76579	●■	1	GASKET, FRONT COVER UNITED STATES 5128279 AND BELOW AUSTRALIA 8056219 AND BELOW BELGIUM 9207525 AND BELOW CANADA 7110997 AND BELOW
45	10-37571		8	SCREW FRONT COVER TO SOUND ATTENUATOR (1/2")
46	19-73336		2	PLUG, FRONT COVER
47	76251A1		1	PLATE ASSEMBLY, FRONT COVER MOUNTING
48	76264		1	LATCH, FRONT COVER ATTACHING
49	24-60295		1	SPRING, FRONT COVER LATCH
50	10-28635		3	SCREW COVER PLATE TO SUPPORT BRACKET (5/8")
-	A-27-76589A77		0	GASKET SET
-	A-27-76589A78		0	GASKET SET

● = COMPONENT OF [27-76589A77] GASKET SET

■ = CONTENTS OF [27-76589A78] GASKET SET

FLYWHEEL, SWITCH BOX, IGNITION COIL AND STATOR ASSEMBLY

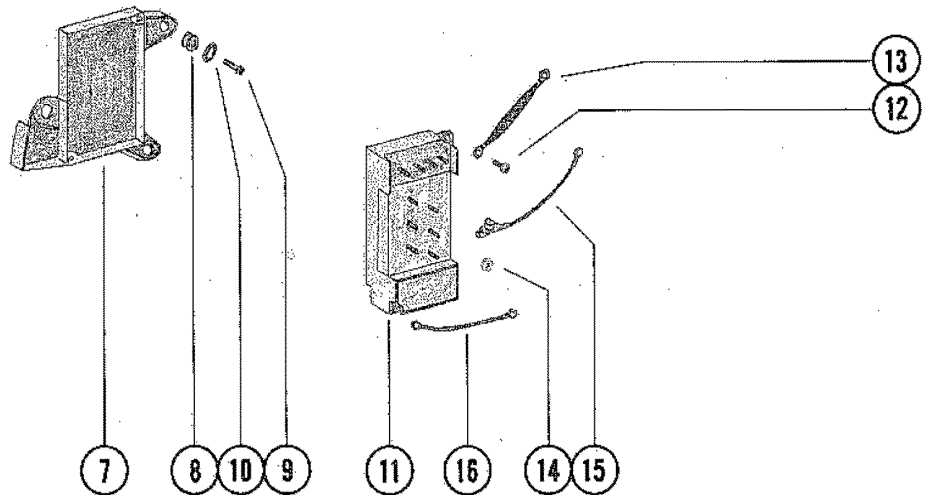
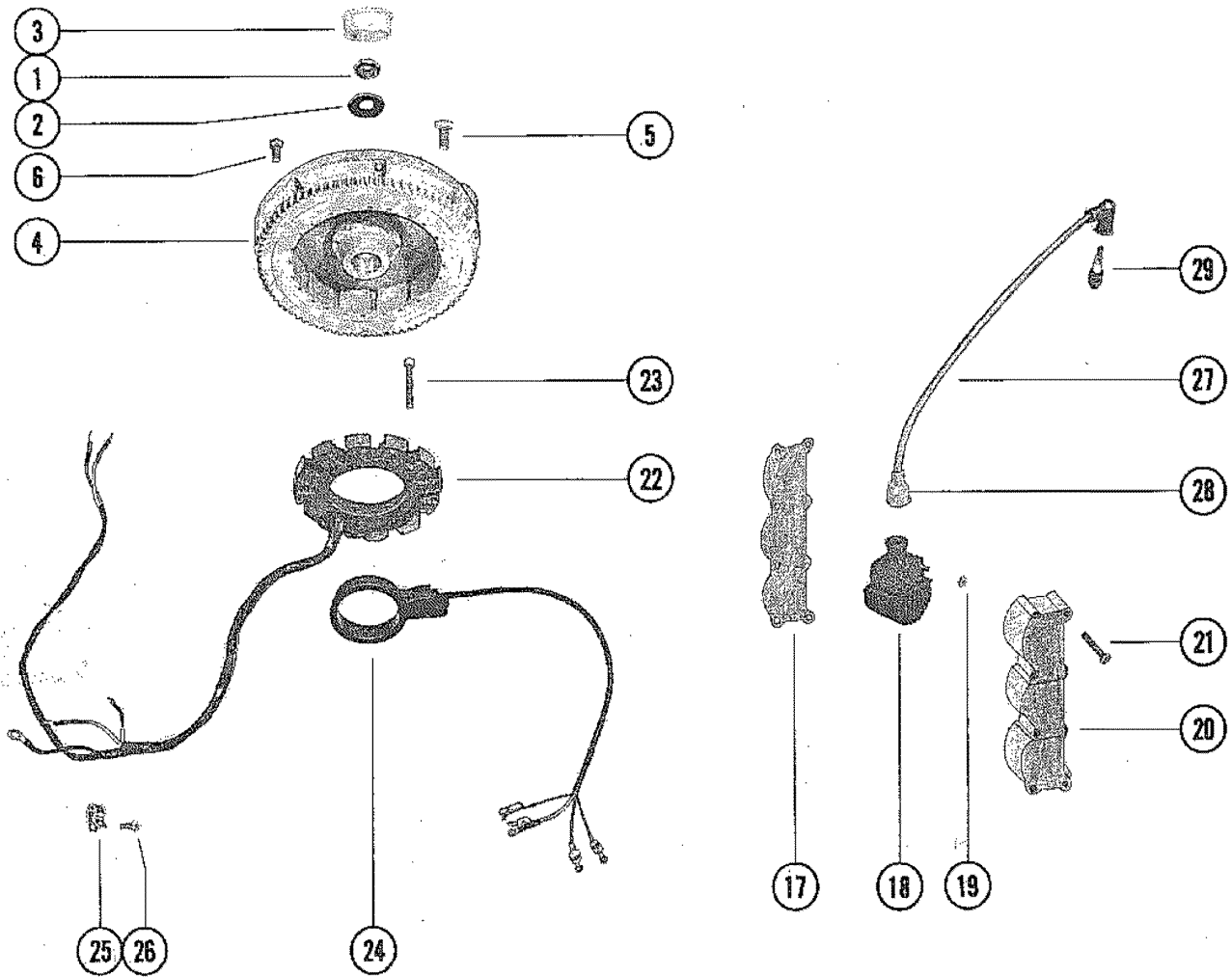


FLYWHEEL, SWITCH BOX, IGNITION COIL AND STATOR ASSEMBLY

REF. NO.	PART NO.	SYM.	QTY.	DESCRIPTION
1	11-52901		1	NUT, FLYWHEEL
2	12-68229		1	WASHER, FLYWHEEL NUT
3	19-45907		1	PLUG, FLYWHEEL PULLER THREADS
4	248-5977A12		1	FLYWHEEL ASSWMBLY UNITED STATES 5128279 AND BELOW AUSTRALIA 8056219 AND BELOW BELGIUM 9207525 AND BELOW CANADA 7110997 AND BELOW
	248-5977A25		1	FLYWHEEL ASSEMBLY UNITED STATES 5128280 AND UP AUSTRALIA 8056220 AND UP BELGIUM 9207526 AND UP CANADA 7129888 AND UP
5	10-68997		8	SCREW, PLATE/HUB TO FLEXIBLE PLATE (3/4")
6	10-32417		8	SCREW, FLEXIBLE PLATE TO FLYWHEEL (5/8")
7	73627		1	PLATE, SWITCH BOX
8	25-57009		3	GROMMET, SWITCH BOX PLATE
9	10-59645		3	SCREW SWITCH BOX PLATE TO CYLINDER BLOCK (3/4")
10	12-56720		3	WASHER, SWITCH BOX PLATE SCREW
11	332-5524A1		1	SWITCH BOX ASSEMBLY
12	10-26251		2	SCREW, SWITCH BOX TO PLATE (13/16")
13	46933A6		2	WIRE ASSEMBLY, SWITCH BOX SCREW
14	11-45076		10	NUT, SWITCH BOX TERMINAL
15	84-60443A3		1	WIRE ASSEMBLY, SWITCH BOX TO COIL (GREEN)
	84-62822A1		1	WIRE ASSEMBLY SWITCH BOX TO COIL (GREEN/WHITE)
	84-68896A1		1	WIRE ASSEMBLY SWITCH BOX TO COIL (GREEN/RED)
16	84-60466A17		3	WIRE ASSEMBLY, SWITCH BOX TO COIL (BLACK)
17	73439		1	PLATE, MOUNTING-IGNITION COIL
18	339-5748A2		3	IGNITION COIL ASSEMBLY UNITED STATES 5128279 AND BELOW AUSTRALIA 8056219 AND BELOW BELGIUM 9207525 AND BELOW CANADA 7110997 AND BELOW
	338-4995A2		3	IGNITION COIL ASSEMBLY UNITED STATES 5128280 AND UP AUSTRALIA 8056220 AND UP BELGIUM 9207526 AND UP CANADA 7129888 AND UP
19	11-45076		6	NUT, IGNITION COIL TERMINAL
20	73218		1	COVER, IGNITION COIL
21	10-66944		6	SCREW, COVER TO MOUNTING PLATE (2")
22	398-5704A2		1	STATOR ASSEMBLY UNITED STATES 5128279 AND BELOW AUSTRALIA 8056219 AND BELOW BELGIUM 9207525 AND BELOW CANADA 7110997 AND BELOW
	398-5704A5		1	STATOR ASSEMBLY UNITED STATES 5128280 AND UP AUSTRALIA 8056220 AND UP BELGIUM 9207526 AND UP CANADA 7129888 AND UP
23	10-63136		4	SCREW, STATOR TO UPPER END CAP (7/8")
24	68162A6		1	TRIGGER PLATE ASSEMBLY
25	54-28700		1	CLAMP, STATOR LEADS ATTACHING

CONTINUED ON NEXT PAGE ➡

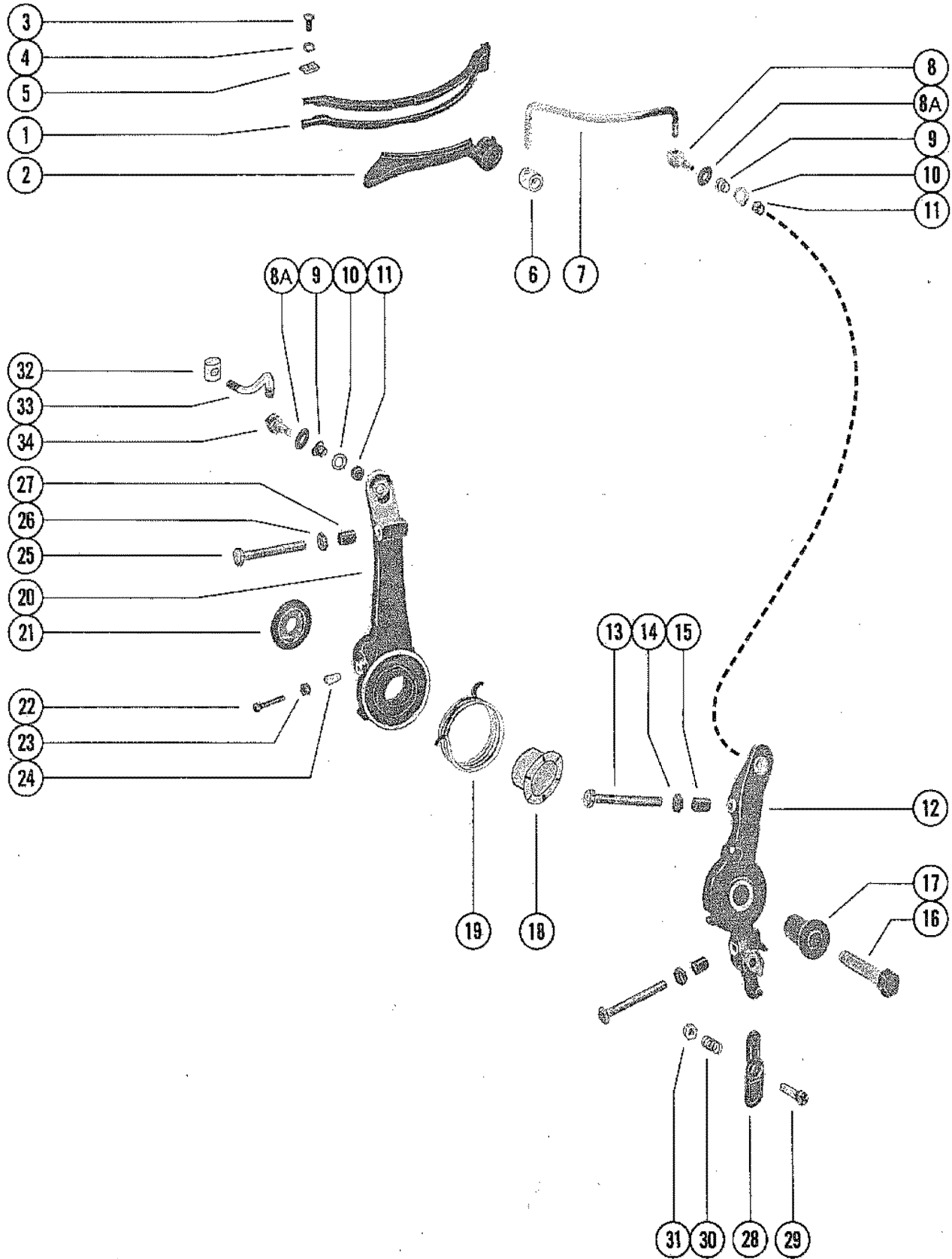
FLYWHEEL, SWITCH BOX, IGNITION COIL AND STATOR ASSEMBLY



FLYWHEEL, SWITCH BOX, IGNITION COIL AND STATOR ASSEMBLY

REF. NO.	PART NO.	SYM.	QTY.	DESCRIPTION
26	10-20031		1	SCREW, CLAMP TO CRANKCASE (1/2")
27	84-73451A8		3	WIRE ASSEMBLY, SPARK PLUG
28	332-2854		3	BOOT, IGNITION COIL END
29	33-57451		3	SPARK PLUG (AC#V40FFM)
	33-68098		3	SPARK PLUG (CHAMPION #QL-76V) - CANADA AND BELGIUM

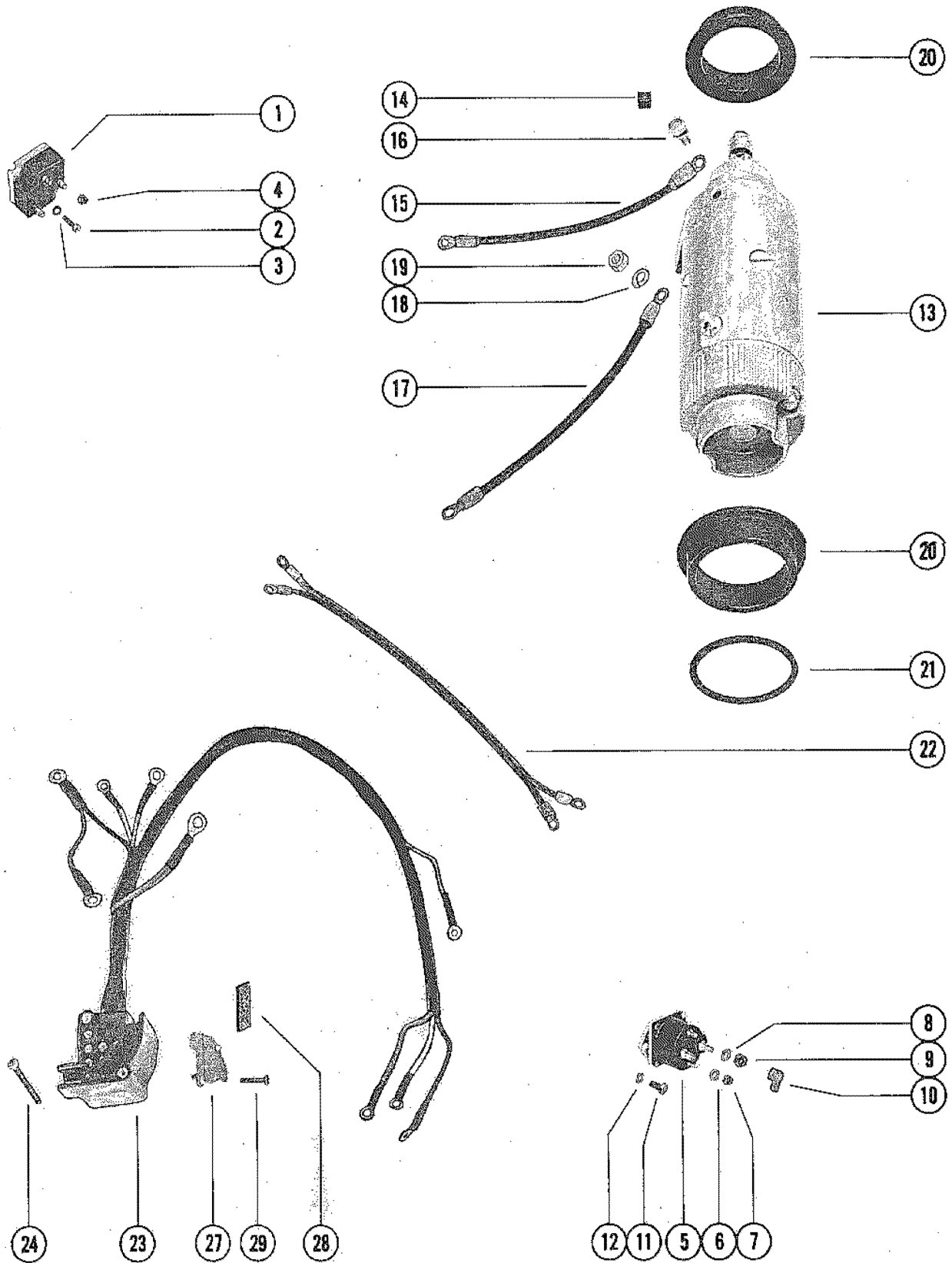
THROTTLE CONTROL LINKAGE AND SPARK ADVANCE



THROTTLE CONTROL LINKAGE AND SPARK ADVANCE

REF. NO.	PART NO.	SYM.	QTY.	DESCRIPTION
1	76864		1	HOUSING, NYLON-THROTTLE ACTUATOR
2	77025		1	CAM, NYLON-THROTTLE ACTUATOR
3	10-37571		1	SCREW, HOUSING TO CRANKCASE (1/2")
4	13-26996		1	LOCKWASHER, HOUSING TO CRANKCASE SCREW
5	60570		1	PLATE, RETAINER-ACTUATOR HOUSING
6	23-74213		1	BARREL, NYLON-THROTTLE LINK ROD
7	74164		1	ROD, LINK-THROTTLE
8	77013A1		1	SWIVEL, LINK ROD TO THROTTLE CONTROL LEVER
8A	13-29402		2	WAVE WASHER, LINK ROD SWIVEL
9	23-26856		2	BUSHING, LINK ROD SWIVEL
10	12-33786		2	WASHER, LINK ROD SWIVEL
11	11-45774		2	NUT, LINK ROD SWIVEL
12	77032A2		1	LEVER ASSEMBLY, THROTTLE CONTROL
13	10-73655		2	SCREW, ADJUSTING-THROTTLE LEVER (2")
14	11-29598		2	NUT, JAM-ADJUSTING SCREW
15	52023		2	CAP, ADJUSTING SCREW
16	10-55337		1	SCREW THROTTLE CONTROL LEVER TO CYLINDER BLOCK (1 3/4")
17	23-55164		1	BUSHING, THROTTLE CONTROL LEVER SCREW
18	23-55171		1	BUSHING, THROTTLE CONTROL LEVER SCREW
19	24-55162		1	SPRING, RETURN-SPARK ADVANCE LEVER
20	77031A2		1	LEVER ASSEMBLY, SPARK ADVANCE
21	12-68410		1	WASHER, THROTTLE CONTROL LEVER SCREW
22	10-73656		1	SCREW, SPARK ADVANCE ADJUSTING (1 1/2")
23	11-68219		1	NUT, SPARK ADVANTAGE ADJUSTING SCREW
24	48039		1	CAP, SPARK ADVANCE ADJUSTING SCREW
25	10-77650		1	SCREW ADJUSTING-SPARK ADVANCE LEVER (2 1/4")
26	11-29598		1	NUT, JAM-ADJUSTING SCREW
27	52023		1	CAP, ADJUSTING SCREW
28	39483		1	LATCH THROTTLE CONTROL LEVER (THROTTLE CABLE)
29	10-22486		1	SCREW LATCH TO THROTTLE CONTROL LEVER (7/8")
30	24-20099		1	SPRING, COMPRESSION-LATCH SCREW
31	11-20586		1	NUT, LATCH ATTACHING SCREW
32	74897		1	BARREL, LINK ROD TO STATOR
33	74212		1	ROD, LINK-SPARK ADVANCE
34	77013A1		1	SWIVEL, LINK ROD TO SPARK ADVANCE LEVER

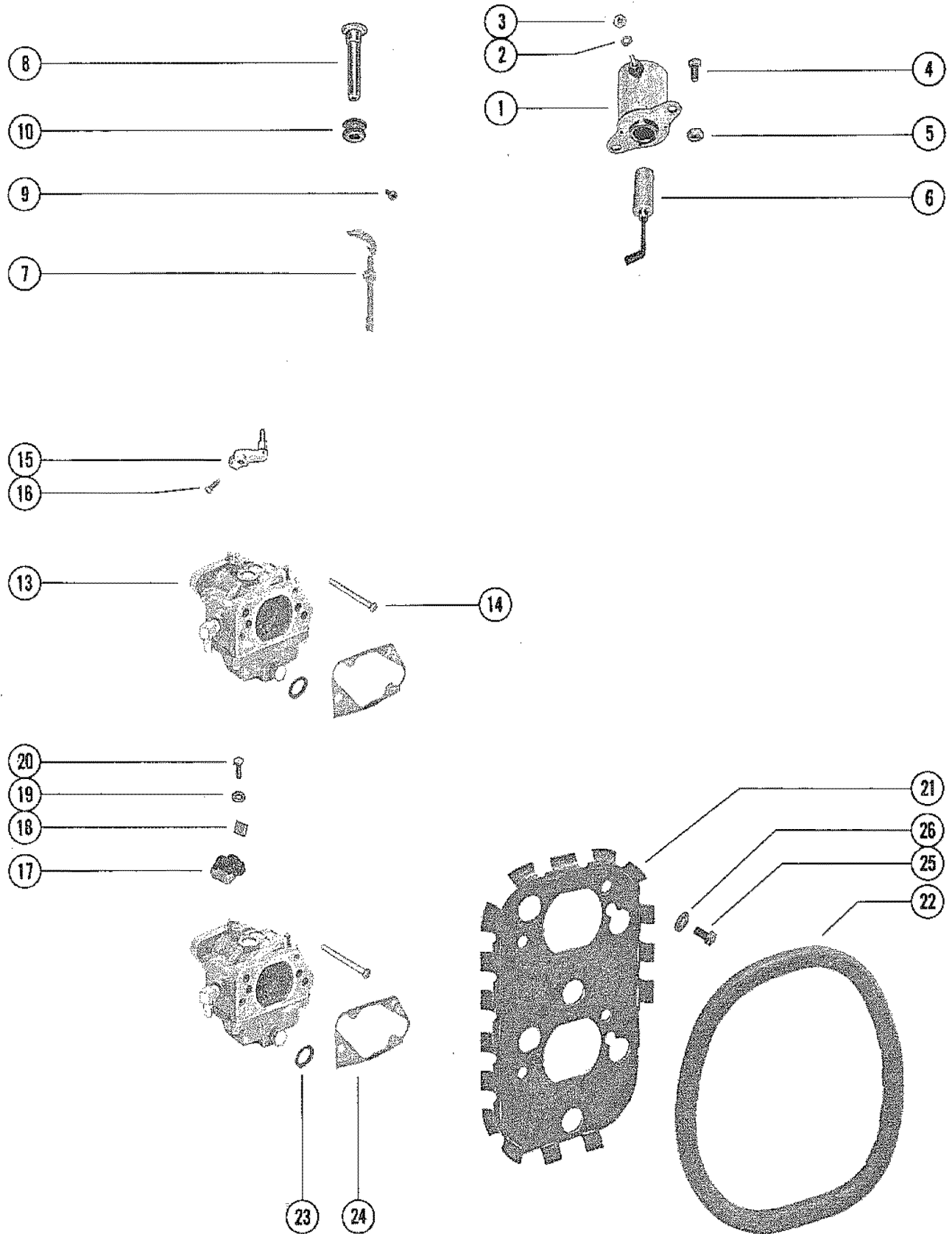
STARTER MOTOR, STARTER SOLENOID AND RECTIFIER ASSEMBLY



STARTER MOTOR, STARTER SOLENOID AND RECTIFIER ASSEMBLY

REF. NO.	PART NO.	SYM.	QTY.	DESCRIPTION
1	62351A1		1	RECTIFIER ASSEMBLY
2	10-38055		2	SCREW, RECTIFIER TO PLATE (5/8")
3	13-26996		2	LOCKWASHER, RECTIFIER SCREW
4	11-45076		3	NUT, RECTIFIER TERMINAL
5	89-68258		1	STARTER SOLENOID
6	13-26996		2	LOCKWASHER, SOLENOID TERMINAL (#10)
7	11-68219		2	NUT, SOLENOID TERMINAL (#10)
8	13-26993		2	LOCKWASHER, SOLENOID TERMINAL (5/16")
9	11-68292		2	NUT, SOLENOID TERMINAL (5/16")
10	46265		1	BOOT, TERMINAL-STARTER SOLENOID
11	10-69054		2	SCREW, SOLENOID TO ATTENUATOR (3/4")
12	13-26992		2	LOCKWAHER, SOLENOID SCREW
13	50-65436		1	STARTER MOTOR ASSEMBLY
14	57247		2	STOP, RUBBER-STARTER MOTOR
15	54-60872		1	CABLE STARTER TO SOUND ATTENUATOR-BLACK (9 1/2")
16	10-69035		1	SCREW, CABLE TO STARTER MOTOR (5/8")
17	84-73453		1	CABLE SOLENOID TO STARTER MOTOR-YELLOW (9 1/2")
18	13-26992		1	LOCKWASHER, STARTER MOTOR TERMINAL
19	11-20890		1	NUT, STARTER MOTOR TERMINAL
20	56703		2	COLLAR, RUBBER-STARTER MOUNT
21	23-56774		AR	SPACER, COLLAR TO MOUNTING BRACKETS
22	84-73452		1	CABLE, BATTERY TO STARTER SOLENOID
23	84-73204		1	WIRING HARNESS (INTERNAL)
24	10-61160		2	SCREW, WIRING HARNESS ATACHING (1 1/8")
27	60114A1		1	BRACKER ASSEMBLY, WIRING HARNESS
28	26-60925		1	SEAL, WIRING HARNESS BRACKET
29	10-55903		2	SCREW WIRING HARNESS BRACKET MOUNTING (2 1/8")

CARBURETOR LINKAGE AND CHOKE SOLENOID



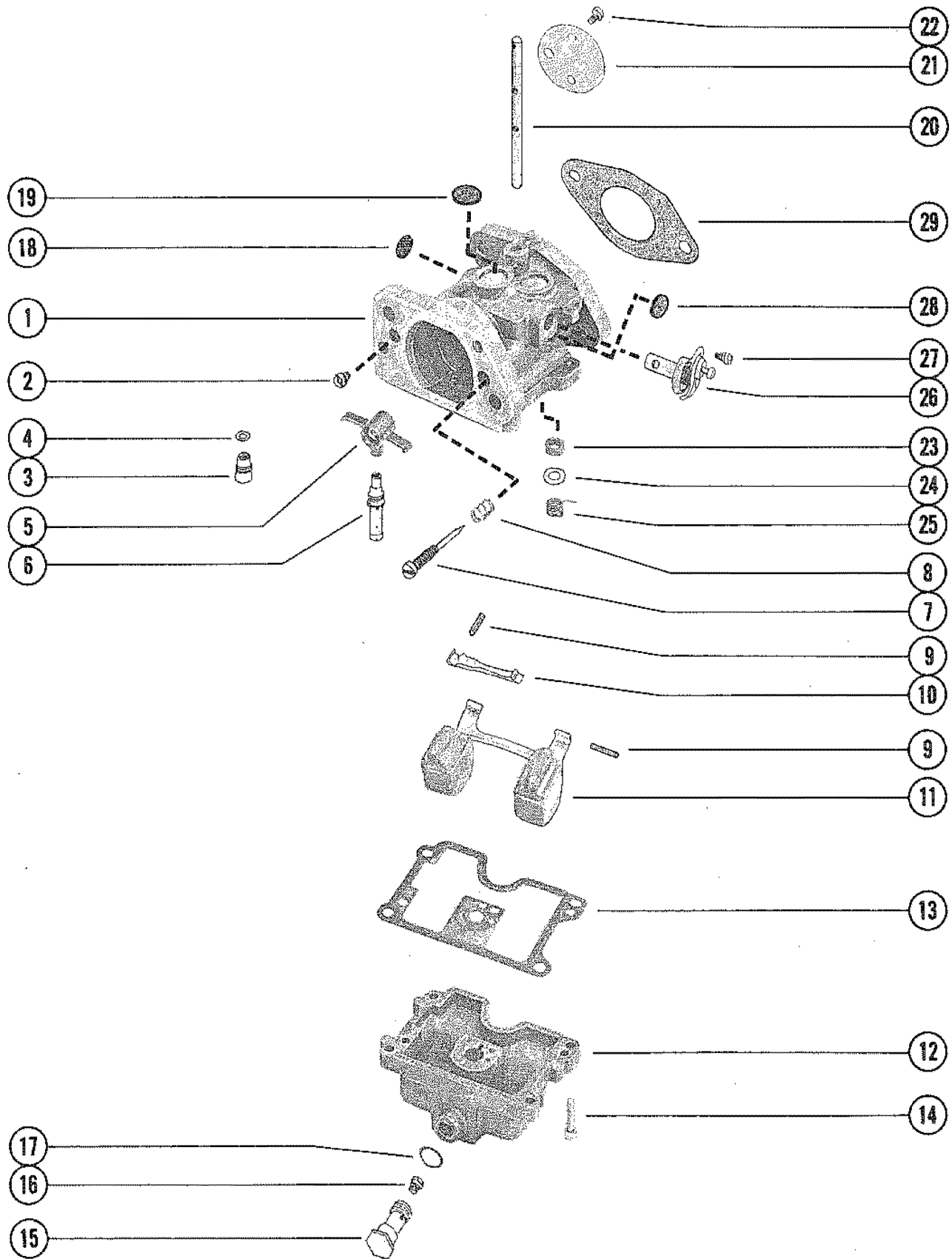
CARBURETOR LINKAGE AND CHOKE SOLENOID

REF. NO.	PART NO.	SYM.	QTY.	DESCRIPTION
1	60549A3		1	CHOKE SOLENOID
2	13-26996		1	LOCKWASHER, HARNESS LEAD TO CHOKE SOLNOID
3	11-68219		1	NUT, HARNESS LEAD TO SOLENOID ATTACHING
4	10-33524		2	SCREW, CHOKE SOLENOID ATTACHING (5/8")
5	11-46793		2	NUT, CHOKE SOLENOID ATTACHING SCREWS
6	56074A2		1	PLUNGER ASSEMBLY, CHOKE SOLENOID
7	76076A1		1	CHOKE ROD
8	73755A1		1	CHOKE KNOB ASSEMBLY
9	10-77137		1	SCREW, WIRE TO CHOKE KNOB
10	25-20116		1	GROMMET, CHOKE KNOB
13	1379-6071A16		2	CARBURETOR ASSEMBLY UNITED STATES 4825248 AND BELOW AUSTRALIA 8049849 AND BELOW BELGIUM 9176875 AND BELOW CANADA 7110247 AND BELOW
	1379-6071A17		2	CARBURETOR ASSEMBLY UNITED STATES 4825249 THRU 5128279 AUSTRALIA 8049850 THRU 8056219 BELGIUM 9176876 THRU 9207525 CANADA 7110248 THRU 7110997
	1379-6071A23		2	CARBURETOR ASSEMBLY UNITED STATES 5128280 AND UP AUSTRALIA 8056220 AND UP BELGIUM 9207526 AND UP CANADA 7129888 AND UP
14	10-52743		4	SCREW, CARBURETOR TO CRANKCASE (3 3/4")
15	77583		1	LEVER, THROTTLE
16	10-60293		1	SCREW, LEVER TO CARBURETOR
17	60292A1		1	COUPLING ASSEMBLY
18	53665		1	INSERT, THROTTLE SHAFT COUPLING
19	12-64444		1	WASHER, ROLLED-COUPLING
20	10-60293		1	SCREW, ROLLED WASHER TO COUPLING
21	76904A1		1	PLATE ASSEMBLY, CARBURETOR
22	71090		1	SEAL, CARBURETOR PLATE
23	27-73398	●■	2	GASKET, CARBURETOR PLATE UNITED STATES 5128279 AND BELOW AUSTRALIA 8056219 AND BELOW BELGIUM 9207525 AND BELOW CANADA 7110997 AND BELOW
24	27-76952	●■	2	GASKET, CARBURETOR PLATE TO CARBURETOR UNITED STATES 5128279 AND BELOW AUSTRALIA 8056219 AND BELOW BELGIUM 9207525 AND BELOW CANADA 7110997 AND BELOW
25	10-20367		4	SCREW, PLATE TO CARBURETOR (7/16")
26	12-38753		4	WASHER, PLATE SCREW

● = COMPONENT OF [27-76589A77] GASKET SET

■ = CONTENTS OF [27-76589A78] GASKET SET

CARBURETOR ASSEMBLY



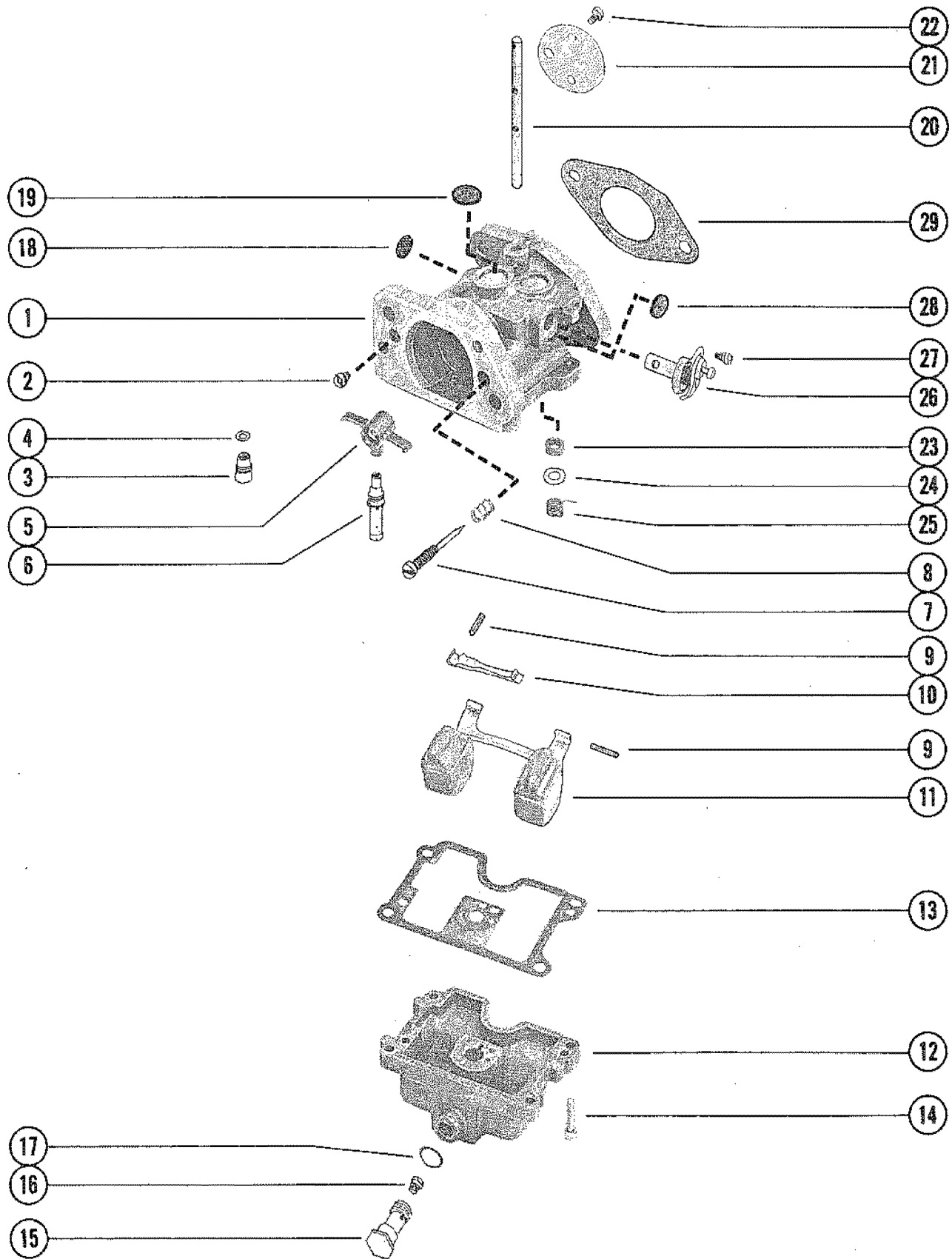
CARBURETOR ASSEMBLY

REF. NO.	PART NO.	SYM.	QTY.	DESCRIPTION
1	1379-6071A16		2	CARBURETOR ASSEMBLY UNITED STATES 4825248 AND BELOW AUSTRALIA 8049849 AND BELOW BELGIUM 9176875 AND BELOW CANADA 7110247 AND BELOW
	1379-6071A17		2	CARBURETOR UNITED STATES 4825249 THRU 5128279 AUSTRALIA 8049850 THRU 8056219 BELGIUM 9176876 THRU 9207525 CANADA 7110248 THRU 7110997
	1379-6071A23		2	CARBURETOR ASSEMBLY UNITED STATES 5128280 AND UP AUSTRALIA 8056220 AND UP BELGIUM 9207526 AND UP CANADA 7129888 AND UP
2	1399-4215		2	JET, VENT BOWL (.066)
3	1395-4555		2	INLET NEEDLE AND SEAT
4		▲	2	GASKET, INLET NEEDLE AND SEAT
5	1395-6685		2	VENTURI
6		▲	2	NOZZLE
7		▲	2	INLET NEEDLE
8		▲	2	SPRING, IDLE MIXTURE
9		▲	2	PIN, FLOAT
10		▲	2	LEVER, FLOAT
11	1395-6197		2	FLAOT
12	1395-6488		2	FUEL BOWL
13		▲+	2	GASKET, FUEL BOWL
14		▲	2	SCREW, FUEL BOWL
15	1395-6199		8	PLUG, MAIN JET
16	1395-5815		2	JET, MAIN (.086)
17		▲+	2	GASKET, MAIN JET PLUG
18		▲	2	SCREEN, FUEL INLET
19		▲	4	WELCH PLUG (9/16")
20	1395-4807		2	SHAFT, THROTTLE
21	1395-6196		2	VALVE, THROTTLE
22		▲	4	SCREW, VALVE TO THROTTLE SHAFT
23	1395-6204		2	SEAL, THROTTLE SHAFT
24	1395-6203		2	WASHER, THROTTLE SHAFT
25		▲	2	SPRING, THROTTLE RETURN
26	1395-6198		2	VALVE ASSEMBLY, ENRICHMENT
27		▲	2	SCREW, ENRICHMENT BRACKET

- = COMPONENT OF [27-76589A77] GASKET SET
- = CONTENTS OF [27-76589A78] GASKET SET
- ▣ = CONTENTS OF [27-76589A79] GASKET SET
- ▲ = COMPONENT OF REPAIR PARTS KIT.
- ⊕ = COMPONENT OF GASKET AND PACKING SET.

CONTINUED ON NEXT PAGE ➡

CARBURETOR ASSEMBLY

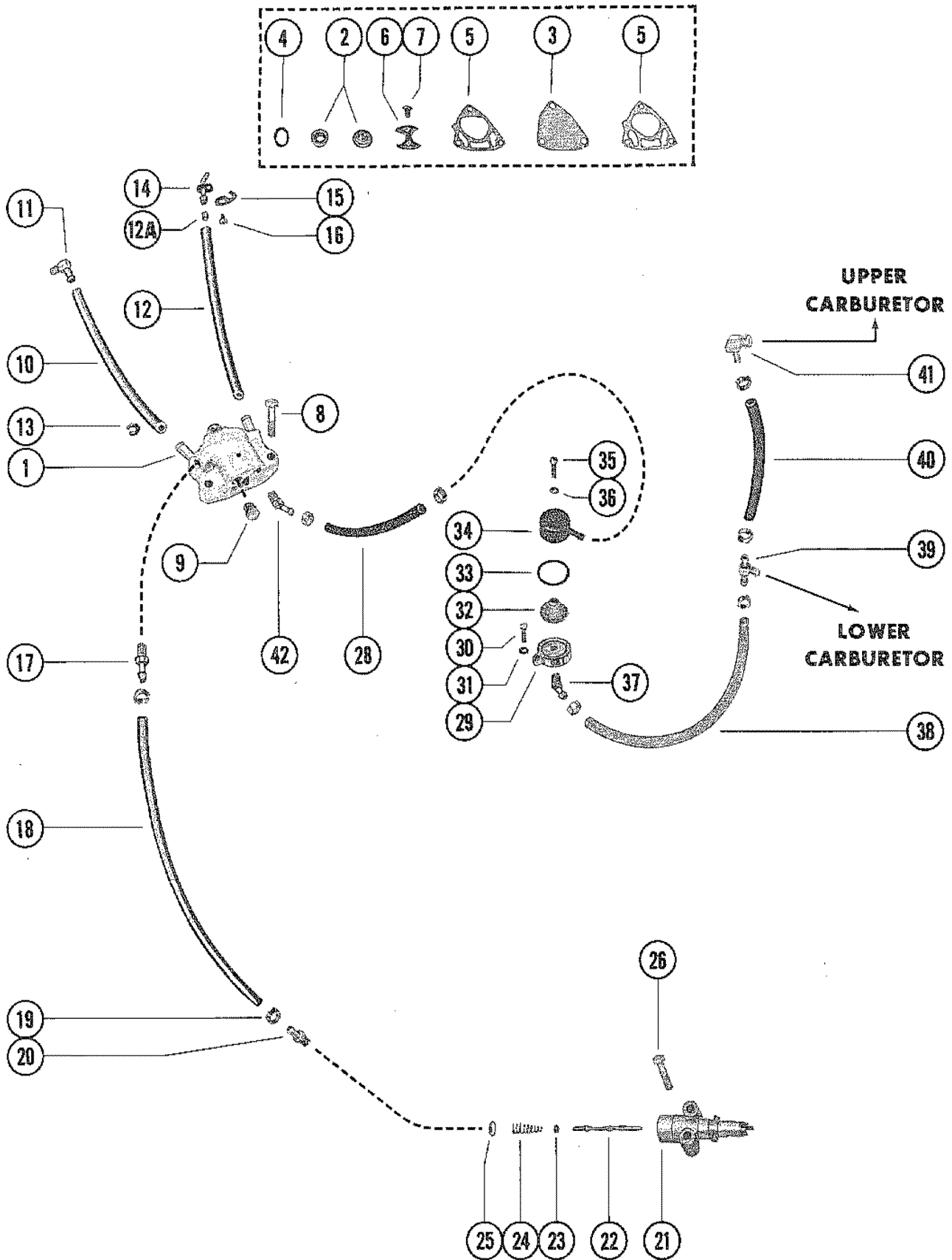


CARBURETOR ASSEMBLY

REF. NO.	PART NO.	SYM.	QTY.	DESCRIPTION
28		▲	2	WELCH PLUG (7/16")
29	27-73377	●■	2	GASKET,CARBURETOR
-	1395-6200	▲	2	GASKET KIT
-	1395-6360		2	REPAIRE PARTS KIT UNITED STATES 4825248 AND BELOW AUSTRALIA 8049849 AND BELOW BELGIUM 9176875 AND BELOW CANADA 7110247 AND BELOW
-	1395-7212		2	REPAIRE PARTS KIT UNITED STATES 4825249 AND UP AUSTRALIA 8049850 AND UP BELGIUM 9176876 AND UP CANADA 7110248 AND UP

- = COMPONENT OF [27-76589A77] GASKET SET
- = CONTENTS OF [27-76589A78] GASKET SET
- = CONTENTS OF [27-76589A79] GASKET SET
- ▲ = COMPONENT OF REPAIR PARTS KIT.

FUEL PUMP, FUEL FILTER AND FUEL LINES



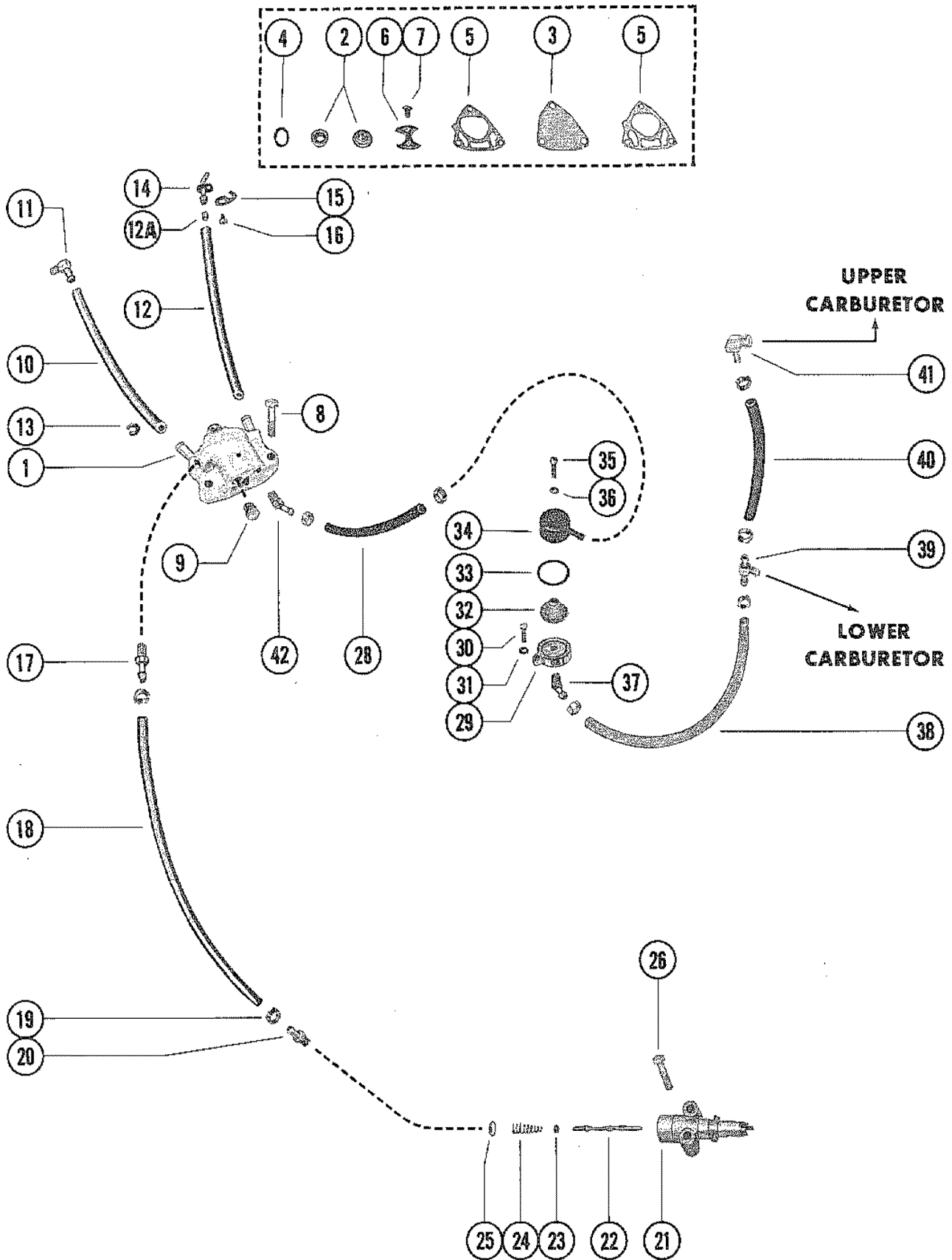
FUEL PUMP, FUEL FILTER AND FUEL LINES

REF. NO.	PART NO.	SYM.	QTY.	DESCRIPTION
1	76575A2		1	FUEL PUMP ASSEMBLY
2	21-30430A9		1	CHECK VALVE ASSEMBLY
3	55278A3	●■I	1	DIAPHRAM KIT
4		●■I	2	GASKET, CHECK VALVE TO HOUSING
5		●■I	2	GASKET, FUEL PUMP
6	23004		1	RETAINER, CHECK VALVE
7	10-68789		2	SCREW, RETAINER TO HOUSING (3/8")
8	10-35581		3	SCREW, PUMP MOUNTING (1 5/8")
9	22-32802		1	PLUG, PIPE-FUEL PUMP
10	32-71121		1	HOSE ASSEMBLY FUEL PUMP TO EXHAUST PLATE (9 1/2")
11	22-25885		2	ELBOW, DRIVE SHAFT HSG. AND EXH. PLATE UNITED STATES 4825249 AND UP AUSTRALIA 8049850 AND UP BELGIUM 9176876 AND UP CANADA 7110248 AND UP
	22-25885		1	ELBOW, HOSE TO EXHAUST PLAT UNITED STATES 4825248 AND BELOW AUSTRALIA 8049849 AND BELOW BELGIUM 9176875 AND BELOW CANADA 7110247 AND BELOW
12	32-71121		1	HOSE ASSEMBLY, GUEL PUMP TO NOZZLE (10") UNITED STATES 4825248 AND BELOW AUSTRALIA 8049849 AND BELOW BELGIUM 9176875 AND BELOW CANADA 7110247 AND BELOW
12A	23-75920		1	SLEEVE, TELL TALE HOSE UNITED STATES 4825248 AND BELOW AUSTRALIA 8049849 AND BELOW BELGIUM 9176875 AND BELOW CANADA 7110247 AND BELOW
13	54-68725		4	CLAMP, HOSE TO FUEL PUMP AND FITTING UNITED STATES 4825248 AND BELOW AUSTRALIA 8049849 AND BELOW BELGIUM 9176875 AND BELOW CANADA 7110247 AND BELOW
14	69555		1	NOZZLE, TELL TALE-REAR SUPPORT BRACKET UNITED STATES 4825248 AND BELOW AUSTRALIA 8049849 AND BELOW BELGIUM 9176875 AND BELOW CANADA 7110247 AND BELOW
15	54-70705		1	CLAMP, TELL TALE NOZZLE UNITED STATES 4825248 AND BELOW AUSTRALIA 8049849 AND BELOW BELGIUM 9176875 AND BELOW CANADA 7110247 AND BELOW
16	10-48408		1	SCREW, TELL TALE CLAMP UNITED STATES 4825248 AND BELOW AUSTRALIA 8049849 AND BELOW BELGIUM 9176875 AND BELOW CANADA 7110247 AND BELOW
17	22-64705		1	FITTING, FUEL PUMP (INLET)
18	32-70432		1	FUEL LINE, ADAPTOR TO FUEL PUMP (12")
19	54-68424		10	CLAMP, FUEL LINE ATTACHING
20	22-63187		1	FITTING, FUEL LINE TO ADDAPTOR
21	22833		1	ADAPTOR, CHECK UNIT (FUEL PUMP)
22	23069		1	STEM, CHECK UNIT ADAPTOR
23	25-20415	●■I	1	"O"RING, ADAPTOR STEM
24	24-23067		1	SPRING, ADAPTOR STEM
25	30188		1	CUP WASHER, ADAPTOR

- = COMPONENT OF [27-76589A77] GASKET SET
- = CONTENTS OF [27-76589A78] GASKET SET
- I = CONTENTS OF [27-76589A79] GASKET SET

CONTINUED ON NEXT PAGE ➡

FUEL PUMP, FUEL FILTER AND FUEL LINES

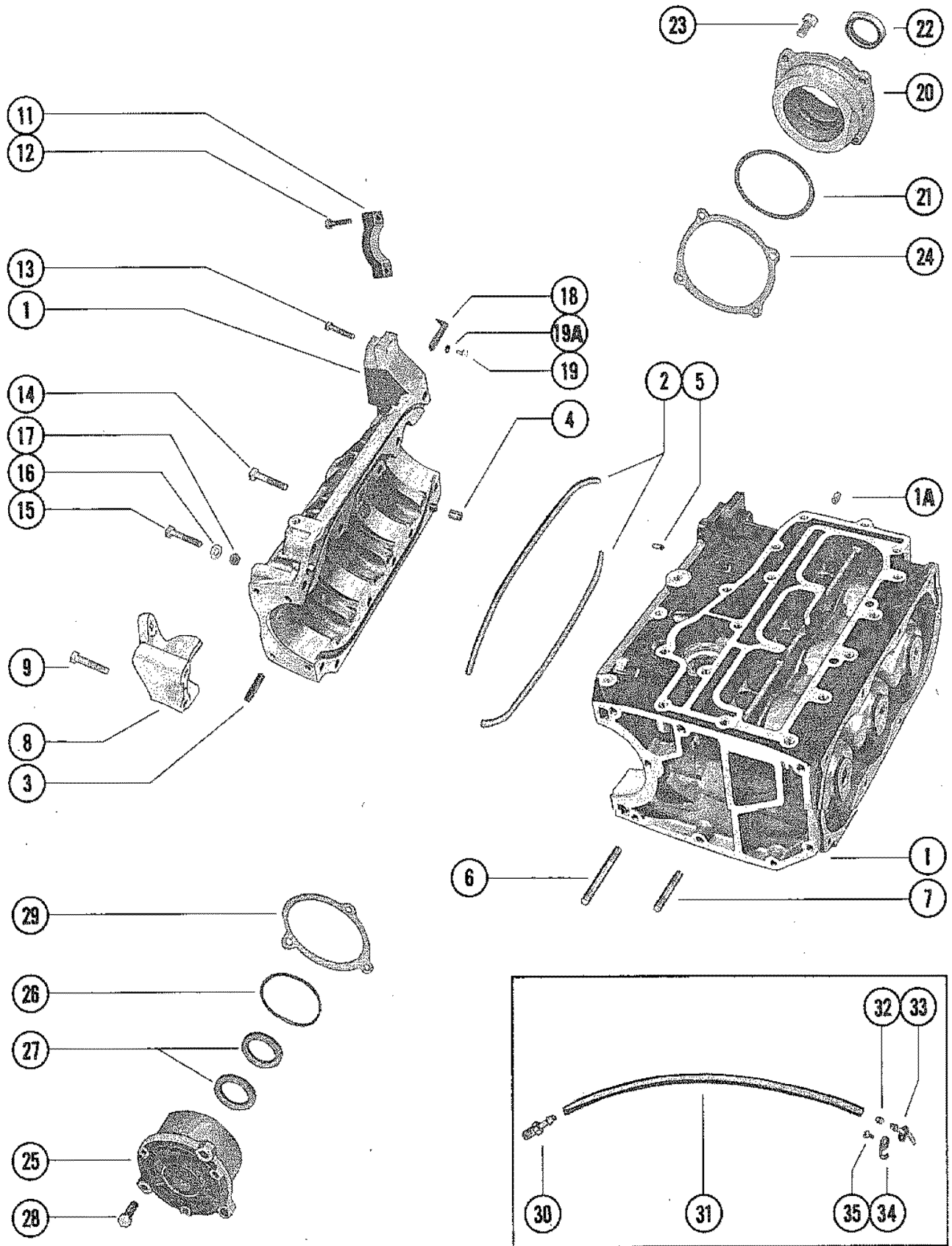


FUEL PUMP, FUEL FILTER AND FUEL LINES

REF. NO.	PART NO.	SYM.	QTY.	DESCRIPTION
26	10-76596		2	SCREW, ADAPTOR TO SUND ATTENUATOR (1 1/4")
28	32-70432		1	FUEL LINE, FUEL PUMP/FUEL FILTER COVER (3 1/2")
29	76221		1	BASE, FUEL FILTER AND COVER
30	10-22698		1	SCREW FILTER BASE TO FRANSFER PASSAGE CAVER (1 3/4")
31	12-34437		1	WASHER, FILTER BASE SCREW
32	35-59072	●■	1	FILTER, FUEL
33	25-47386	●■	1	"O"RING, FILTER COVER
34	59071		1	COVER, FILTER
35	10-37370		1	SCREW, FILTER COVER FASTENING (5/8")
36	27-25848	●■	1	GASKET, FILTER COVER FASTENING SCREW
37	22-64704		1	FITTING, BASE
38	32-70432		1	FULE LINE, BASE TO LOWER CARBURETOR (9 1/2")
39	22-64706		1	TEE, LOWER CARBURETOR
40	32-70432		1	FUEL LINE, CARBURETOT TO CARBURETOR (3")
41	22-64704		1	FITTING, UPPER CARBURETOR
42	22-70007		1	FITTING, FUEL PUMP (OUTLET)

- = COMPONENT OF [27-76589A77] GASKET SET
- = CONTENTS OF [27-76589A78] GASKET SET
- = CONTENTS OF [27-76589A79] GASKET SET

CYLINDER BLOCK AND CRANKCASE ASSEMBLY



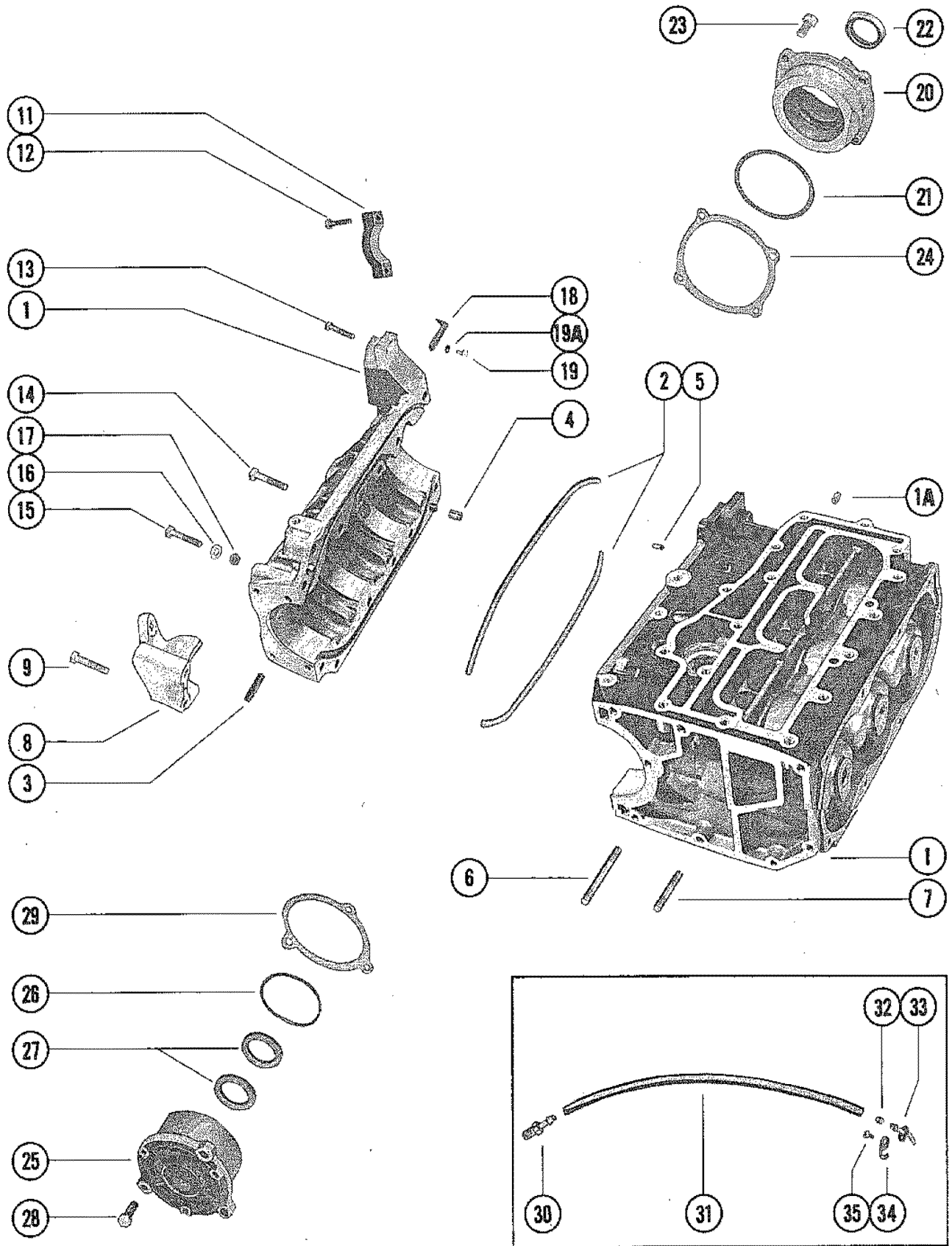
CYLINDER BLOCK AND CRANKCASE ASSEMBLY

REF. NO.	PART NO.	SYM.	QTY.	DESCRIPTION
1	865-6408A3		1	CYLINDER BLOCK AND CRANKCASE ASSEMBLY UNITED STATES 4825248 AND BELOW AUSTRALIA 8049849 AND BELOW BELGIUM 9176875 AND BELOW CANADA 7110247 AND BELOW
	865-6595A3		1	CYLINDER BLOCK AND CRANKCASE ASSEMBLY UNITED STATES 4825249 AND UP AUSTRALIA 8049850 AND UP BELGIUM 9176876 AND UP CANADA 7110248 AND UP
1A	66517		2	RESTRICTOR, CRANKCASE BLEED
2	27-60286	● ■ ■	2	GASKET, CRANKCASE TO CYLINDER BLOCK
3	16-68201		2	STUD CRANKCASE TO DRIVE SHAFT HOUSING (2 1/4")
4	17-20033		2	DOWEL PIN, CRANKCASE TO CYLINDER BLOCK
5	17-20323		2	DOWEL PIN, CYLINDER BLOCK TO MAIN BEARING
6	16-68203		2	STUD BLOCK TO DRIVER SHAFT HOUSING (4")
7	16-68202		1	STUD CLOCK TO DRIVER SHAFT HOUSING (3")-EXHAUST SIDE
	16-68167		1	STUD BLOCK TO DRIVE SHAFT HOUSING (2 9/16")-TRANSFER SIDE
8	76975		1	COVER, STARTER MOTOR TO CRANKCASE (BOTTOM) UNITED STATES 4977156 AND BELOW AUSTRALIA 8050199 AND BELOW BELGIUM 9196960 AND BELOW CANADA 7110997 AND BELOW
	77636		1	COVER, STARTER MOTOR TO CRANKCASE (BOTTOM) UNITED STATES 4977157 AND UP AUSTRALIA 8050200 AND UP BELGIUM 9196961 AND UP CANADA 7110998 AND UP
9	10-77065		2	SCREW, STARTER MOTOR COVER (2")
11	79735A1		1	COVER, STARTER MOTOR TO CRANKCASE (TOP)
12	10-77065		1	SCREW, STARTER MOTOR COVER (2") UNITED STATES 4977156 AND BELOW AUSTRALIA 8050199 AND BELOW BELGIUM 9196960 AND BELOW CANADA 7110997 AND BELOW
	10-73657		1	SCREW, STARTER MOTOR COVER (1 1/2")
	10-58414		1	SCREW, STARTER MOTOR COVER (2 1/2") UNITED STATES 4977157 AND UP AUSTRALIA 8050200 AND UP BELGIUM 9196961 AND UP CANADA 7110998 AND UP
	10-35385		1	SCREW, STARTER MOTOR COVER (1 3/4")
13	10-35385		10	SCREW, CRANKCASE TO CYLINDER BLOCK (1 3/4")
14	10-73657		2	SCREW, CRANKCASE TO CYLINDER BLOCK (1 1/2")
15	10-22039		2	SCREW, CRANKCASE TO CYLINDER BLOCK (2 3/4")
16	12-26020		14	WASHER CRANKCASE TO CYLINDER BLOCK SCREW (BOTTOM)
17	11-29250		2	NUT CRANKCASE TO CYLINDER BLOCK SCREW (BOTTOM)
18	76617		1	INDICATOR, TIMING UNITED STATES 4977156 AND BELOW AUSTRALIA 8050199 AND BELOW BELGIUM 9196960 AND BELOW CANADA 7110997 AND BELOW
19	10-69022		1	SCREW, INDICATOR TO STARTER COVER
19A	12-30164		1	WASHER, INDICATOR SCREW

- = COMPONENT OF [27-76589A77] GASKET SET
- = CONTENTS OF [27-76589A78] GASKET SET
- = CONTENTS OF [27-76589A79] GASKET SET

CONTINUED ON NEXT PAGE ➡

CYLINDER BLOCK AND CRANKCASE ASSEMBLY



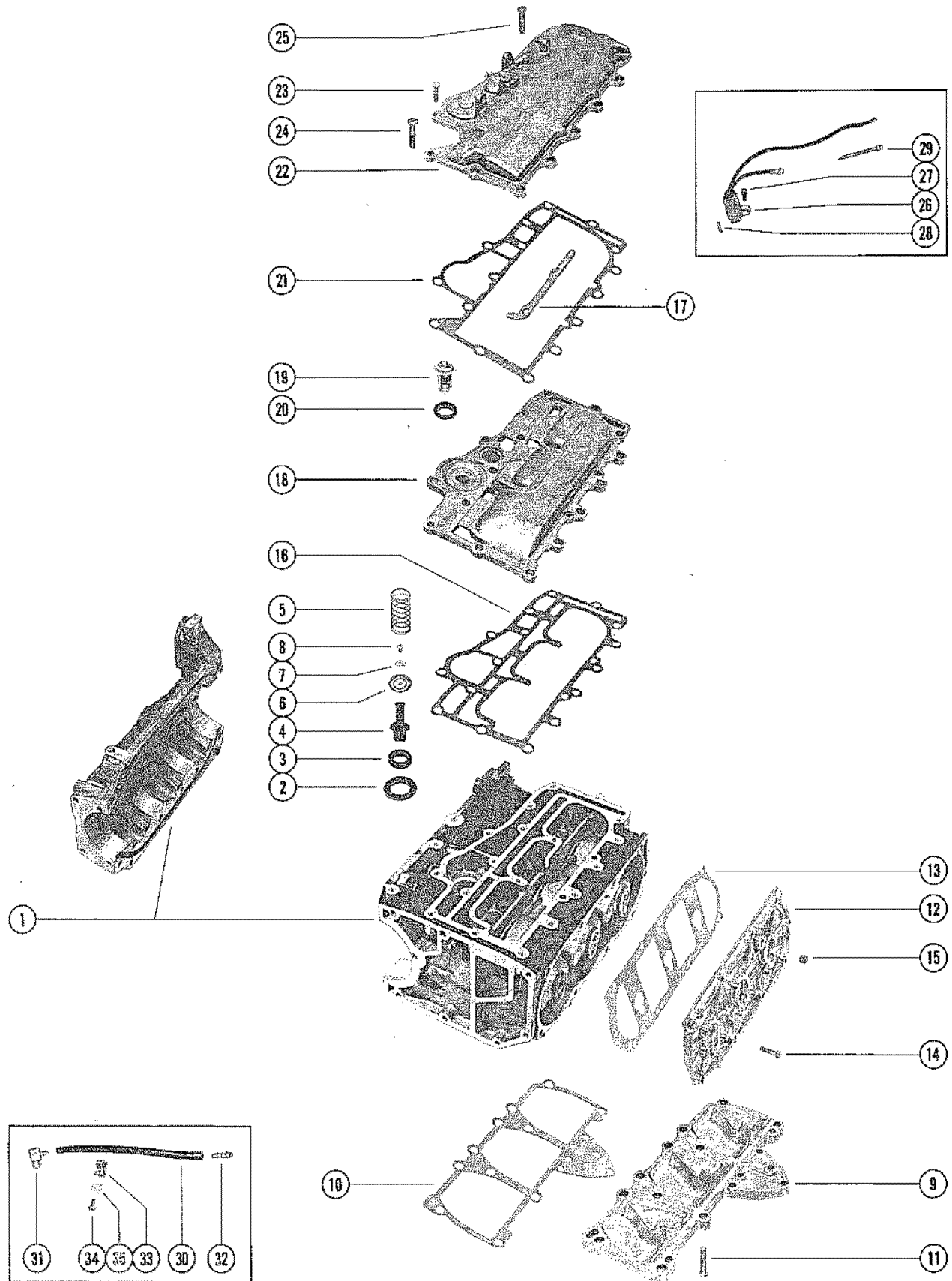
CYLINDER BLOCK AND CRANKCASE ASSEMBLY

REF. NO.	PART NO.	SYM.	QTY.	DESCRIPTION
18	79736		1	INDICATOR, TIMING
19	10-58414		1	SCREW, INDICATOR TO STARTER COVER
19A	12-72232		1	WASHER, INDICATOR SCREW
20	1161-6357A1		1	END CAP ASSEMBLY, UPPER
21	25-64966	●■	1	"O"RING, END CAP
22	26-29476		1	OIL SEAL, END CAP
23	10-73169		4	SCREW, UPPER END CAP MOUNTING (1")
24	15-73644A1		AR	SHIM, UPPER END CAP (.006-8-10)
25	1144-7053A1		1	END CAP ASSEMBLY, LOWER UNITED STATES 4977156 AND BELOW AUSTRALIA 8050199 AND BELOW BELGIUM 9196960 AND BELOW CANADA 7110997 AND BELOW
	1144-6691A1		1	END CAP ASSEMBLY, LOWER UNITED STATES 4977157 AND UP AUSTRALIA 8050200 AND UP BELGIUM 9196961 AND UP CANADA 7110998 AND UP
26	25-32546	●■	1	"O"RING, END CAP
27	26-29476		2	OIL SEAL, END CAP
28	10-69034		3	SCREW, LOWER END CAP MOUNTING (1")
29	15-20085A1		AR	SHIM, LOWER END CAP (.002-3-5-10)
30	22-29111		1	CONECTOR, HOSE CYLINDER BLOCK UNITED STATES 4825249 AND UP AUSTRALIA 8049850 AND UP BELGIUM 9176876 AND UP CANADA 7110248 AND UP
31	32-71121		1	HOSE, TELL TALE (15")
32	23-75920		1	SLEEVE, TELL TALE HOSE
33	69555		1	NOZZLE, TELLTALE-REAR SUPORT BRACKET
34	54-70705		1	CLAMP, TELL TALE NOZZLE
35	10-48408		1	SCREW, TELLTALE CLAMP

FOR REPLACEMENT OF POWERHEAD ASSEMBLY COMPLETE, WHICH INCLUDES CYLINDER BLOCK AND CRANKCASE, PISTONS, CONNECTING RODS, AND BEARINGS, ETC. ORDER [A-76785A77]-SERIAL GROUP #1 OR [A-76785A78]-SERIAL GROUP #2

- = COMPONENT OF [27-76589A77] GASKET SET
- = CONTENTS OF [27-76589A78] GASKET SET
- ▮ = CONTENTS OF [27-76589A79] GASKET SET

EXHAUST AND MANIFOLD COVERS



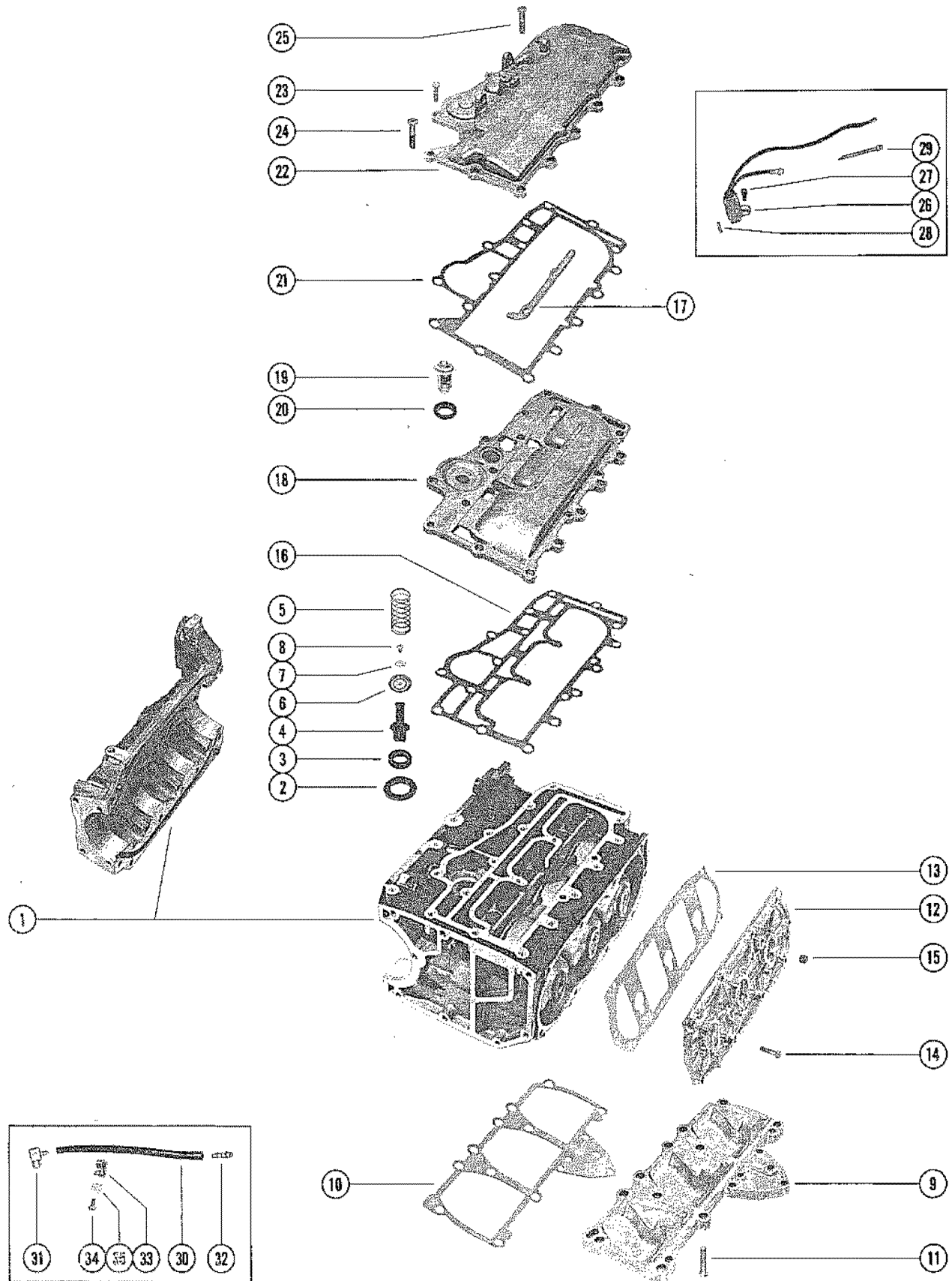
EXHAUST AND MANIFOLD COVERS

REF. NO.	PART NO.	SYM.	QTY.	DESCRIPTION
1	865-6408A3		1	CYLINDER BLOCK AND CRANKCASE ASSEMBLY UNITED STATES 4825248 AND BELOW AUSTRALIA 8049849 AND BELOW BELGIUM 9176875 AND BELOW CANADA 7110247 AND BELOW
	865-6595A3		1	CYLINDER BLOCK AND CRANKCASE ASSEMBLY UNITED STATES 4825249 AND UP AUSTRALIA 8049850 AND UP BELGIUM 9176876 AND UP CANADA 7110248 AND UP
2	65848		1	CARRIER, GROMMET UNITED STATES 4825248 AND BELOW AUSTRALIA 8049849 AND BELOW BELGIUM 9176875 AND BELOW CANADA 7110247 AND BELOW
3	25-64872		1	GROMMET, POPPET RELIEF VALVE UNITED STATES 4825248 AND BELOW AUSTRALIA 8049849 AND BELOW BELGIUM 9176875 AND BELOW CANADA 7110247 AND BELOW
4	65409		1	POPPET, RELIEF VALVE UNITED STATES 4825248 AND BELOW AUSTRALIA 8049849 AND BELOW BELGIUM 9176875 AND BELOW CANADA 7110247 AND BELOW
5	24-64878		1	SPRING COMPRESSION-POPPET RELIEF VALVE UNITED STATES 4825248 AND BELOW AUSTRALIA 8049849 AND BELOW BELGIUM 9176875 AND BELOW CANADA 7110247 AND BELOW
6	64877		1	DIAPHRAM, POPPET RELIEF UNITED STATES 4825248 AND BELOW AUSTRALIA 8049849 AND BELOW BELGIUM 9176875 AND BELOW CANADA 7110247 AND BELOW
7	12-76451		1	WASHER, DIAPHRAM UNITED STATES 4825248 AND BELOW AUSTRALIA 8049849 AND BELOW BELGIUM 9176875 AND BELOW CANADA 7110247 AND BELOW
8	10-69594		1	SCREW WASHER AND DIAPHRAM TO POPPET VALVE
9	76807A1		1	COVER ASSEMBLY, TRANSFER PASSAGE
10	27-76862	●■	1	GASKET, TRANSFER PASSAGE COVER
11	10-38837		10	SCREW TRANSFER PASSAGE COVER MOUNTING (1 1/8")
12	1025-6124A1		1	COVER, CYLINDER BLOCK
13	27-76401	●	1	GASKET, CYLINDER BLOCK COVER UNITED STATES 4825248 AND BELOW AUSTRALIA 8049849 AND BELOW BELGIUM 9176875 AND BELOW CANADA 7110247 AND BELOW
	27-74511	■	1	GASKET, CYLINDER BLOCK COVER UNITED STATES 4825249 AND UP AUSTRALIA 8049850 AND UP BELGIUM 9176876 AND UP CANADA 7110248 AND UP
14	10-28667		6	SCREW, CYLINDER BLOCK COVER MOUNTING (1 1/8")
15	22-32802		1	PLUG, CYLINDER BLOCK COVER
16	27-69525	●■	1	GASKET, BAFFLE PLATE TO CYLINDER BLOCK
17	27-70335	●■	1	GASKET, BAFFLE PLATE TO CYLINDER BLOCK COVER
18	69579		1	PLATE, BAFFLE-EXHAUST MANIFOLD
19	66850		1	THERMOSTAT UNITED STATES 4825248 AND BELOW AUSTRALIA 8049849 AND BELOW BELGIUM 9176875 AND BELOW CANADA 7110247 AND BELOW
20	27-62386	●	1	GASKET, THERMOSTAT
21	27-69524	●■	1	GASKET, PLATE TO EXHAUST MANIFOLD COVER

- = COMPONENT OF [27-76589A77] GASKET SET
- = CONTENTS OF [27-76589A78] GASKET SET
- = CONTENTS OF [27-76589A79] GASKET SET

CONTINUED ON NEXT PAGE ➡

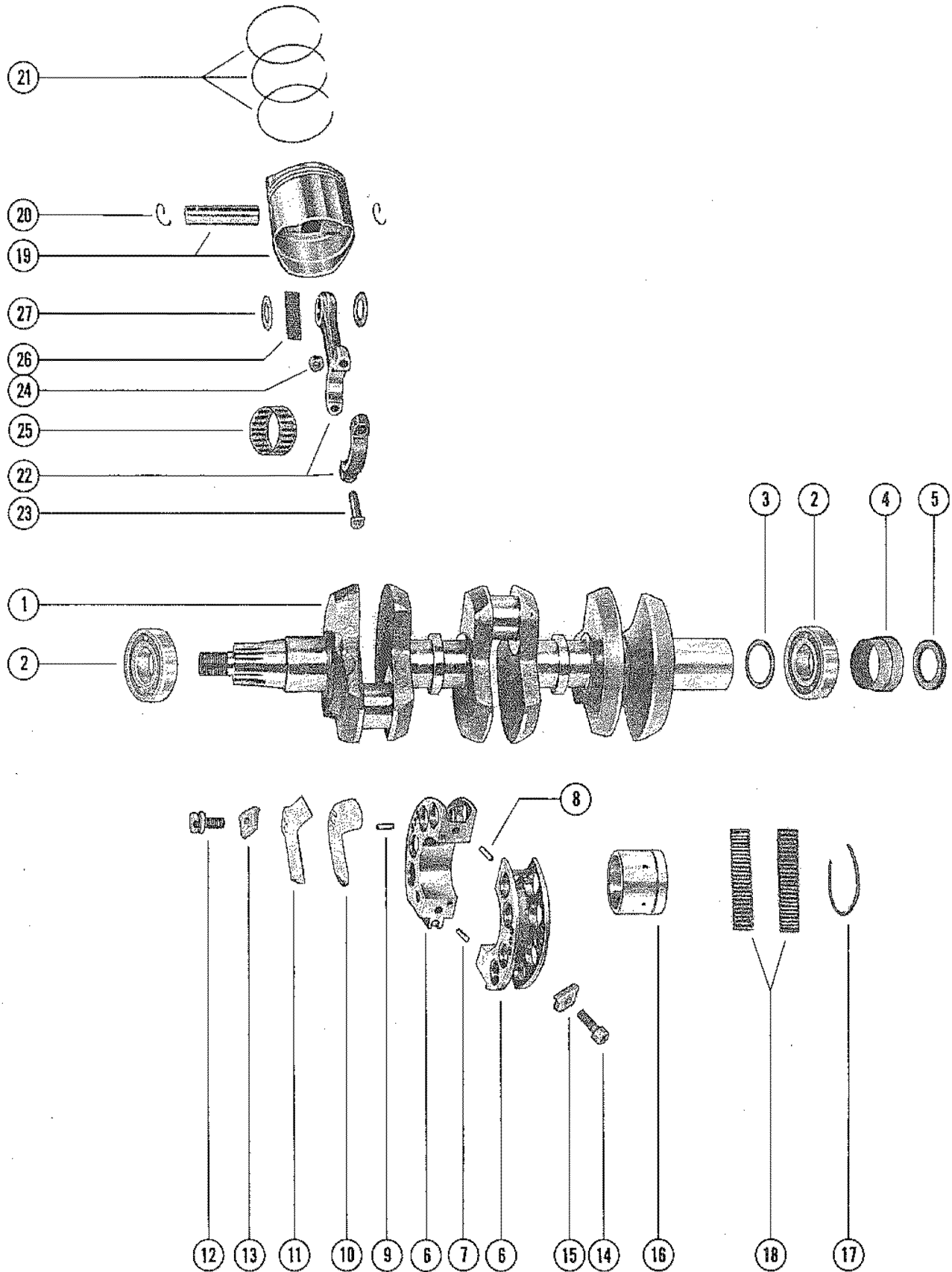
EXHAUST AND MANIFOLD COVERS



EXHAUST AND MANIFOLD COVERS

REF. NO.	PART NO.	SYM.	QTY.	DESCRIPTION
22	74214		1	COVER, EXHAUST MANIFOLD UNITED STATES 4825248 AND BELOW AUSTRALIA 8049849 AND BELOW BELGIUM 9176875 AND BELOW CANADA 7110247 AND BELOW
	78529		1	COVER, EXHAUST MANIFOLD UNITED STATES 4825249 AND UP AUSTRALIA 8049850 AND UP BELGIUM 9176876 AND UP CANADA 7110248 AND UP
23	10-38837		1	SCREW, PLATE AND MANIFOLD COVER MOUNTING (1 1/8")
24	10-53016		15	SCREW, PLATE AND MANIFOLD COVER MOUNTING (1 1/4")
25	10-70602		2	SCREW, PLATE/MANIFOLD COVER MOUNTING (2")
26	87-33386A2		1	SWITCH, MERCURY
27	10-37655		1	SCREW, MERCURY SWITCH TO CRANKCASE (1/2")
28	17-36242		2	PIN, ROLL-MERCURY SWITCH
29	61990		1	STA-STRAP, MERCURY SWITCH LEAD
30	32-54936		1	HOSE, CRANKCASE BLEED (12")
31	21-77207		1	FITTING, CRANKCASE BLEED
32	22-65857		1	FITTING, VCRANKCASE BLEED (PRESS IN)
33	54-64855		1	CLIP, BLEED HOSE
34	10-62568		1	SCREW, BLEED HOSE CLIP
35	69205		1	"C"WASHER, BLEED HOSE CLIP
-	A-27-76589A77		0	GASKET SET
-	A-27-76589A78		0	GASKET SET
-	A-27-76589A79		0	GASKET SET

CRANKSHAFT, PISTONS AND CONNECTING RODS



CRANKSHAFT, PISTONS AND CONNECTING RODS

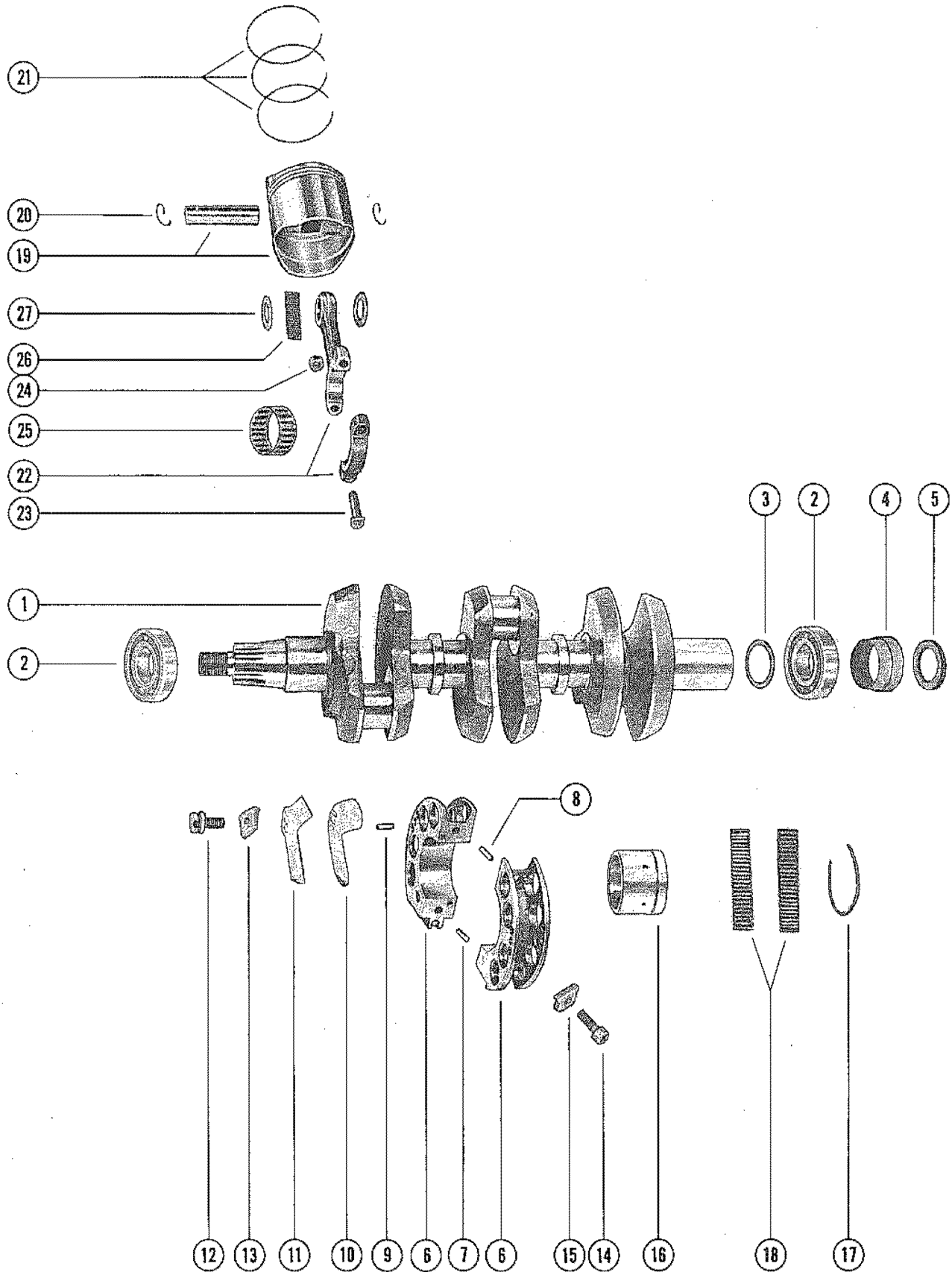
REF. NO.	PART NO.	SYM.	QTY.	DESCRIPTION
1	450-4393A2		1	CRANKSHAFT ASSEMBLY UNITED STATES 4977156 AND BELOW AUSTRALIA 8050199 AND BELOW BELGIUM 9196960 AND BELOW CANADA 7110997 AND BELOW
	450-6642A2		1	CRANKSHAFT ASSEMBLY UNITED STATES 4977157 AND UP AUSTRALIA 8050200 AND UP BELGIUM 9196961 AND UP CANADA 7110998 AND UP
2	30-64424		2	BEARING, BALL-LOWER AND UPPER
3	15-22369A1		AR	SHIM, LOWER BEARING TO CRANKSHAFT
4	60834A3		1	CARRIER ASSEMBLY, "O"RING-METAL SEAL CARRIER PRESSED IN CRANKSHAFT
5	64254	● ■	1	"O"RING, CARRIER METAL SEAL CARRIER PRESSED IN CRANKSHAFT
6	542-4846A7		2	MAIN BEARING ASSEMBLY (VALVE TYPE)
7	17-20032		4	DOWEL PIN, MAIN BEARING
8	17-60282		2	DOWEL PIN (STEPPED)
9	17-65855		16	DOWEL PIN, REED STOP
10	34-66051A1		2	REED SET, MATCHED-MAIN BEARING
11	34-65946		8	REED STOP
12	10-77280		8	SCREW, REED STOP MOUNTING (9/16")
13	11-20110		8	NUT, REED STOP MOUNTING SCREW
14	10-45775		4	SCREW, MAIN BEARING CLAMPING (9/16")
15	11-45774		4	NUT, MAIN BEARING SCREW CLAMPING
16	26113		2	RACE, OUTER(PAIR)
17	53-26933		2	RING, SNAP-OUTER RACE CLAMPING
18	29-52168		112	BEARING, NEEDLE
19	745-5218A3		3	PISTON AND PISTON PIN ASSEMBLY UNITED STATES 4825248 AND BELOW AUSTRALIA 8049849 AND BELOW BELGIUM 9176875 AND BELOW CANADA 7110247 AND BELOW
	745-6614A3		3	PISTON AND PISTON PIN ASSEMBLY UNITED STATES 4825249 AND UP AUSTRALIA 8049850 AND UP BELGIUM 9176876 AND UP CANADA 7110248 AND UP
20	40-52035		6	LOCK RING, PISTON PIN
21	39-78816A12		1	RING PISTON
22	622-4850A3		3	CONNECTING ROD AND CAP ASSEMBLY
23	10-54803		6	SCREW, CAP TO CONNECTING ROD (1 1/2")
24	11-49091		6	NUT, CONNECTING ROD SCREW
25	31-62596A1		3	BEARING ASSEMBLY, CRANKPIN
26	29-47270		87	BEARING, NEEDLE-PISTON PIN
27	12-47247		6	WASHER, NEEDLE LOCATING

● = COMPONENT OF [27-76589A77] GASKET SET

■ = CONTENTS OF [27-76589A78] GASKET SET

CONTINUED ON NEXT PAGE ➡

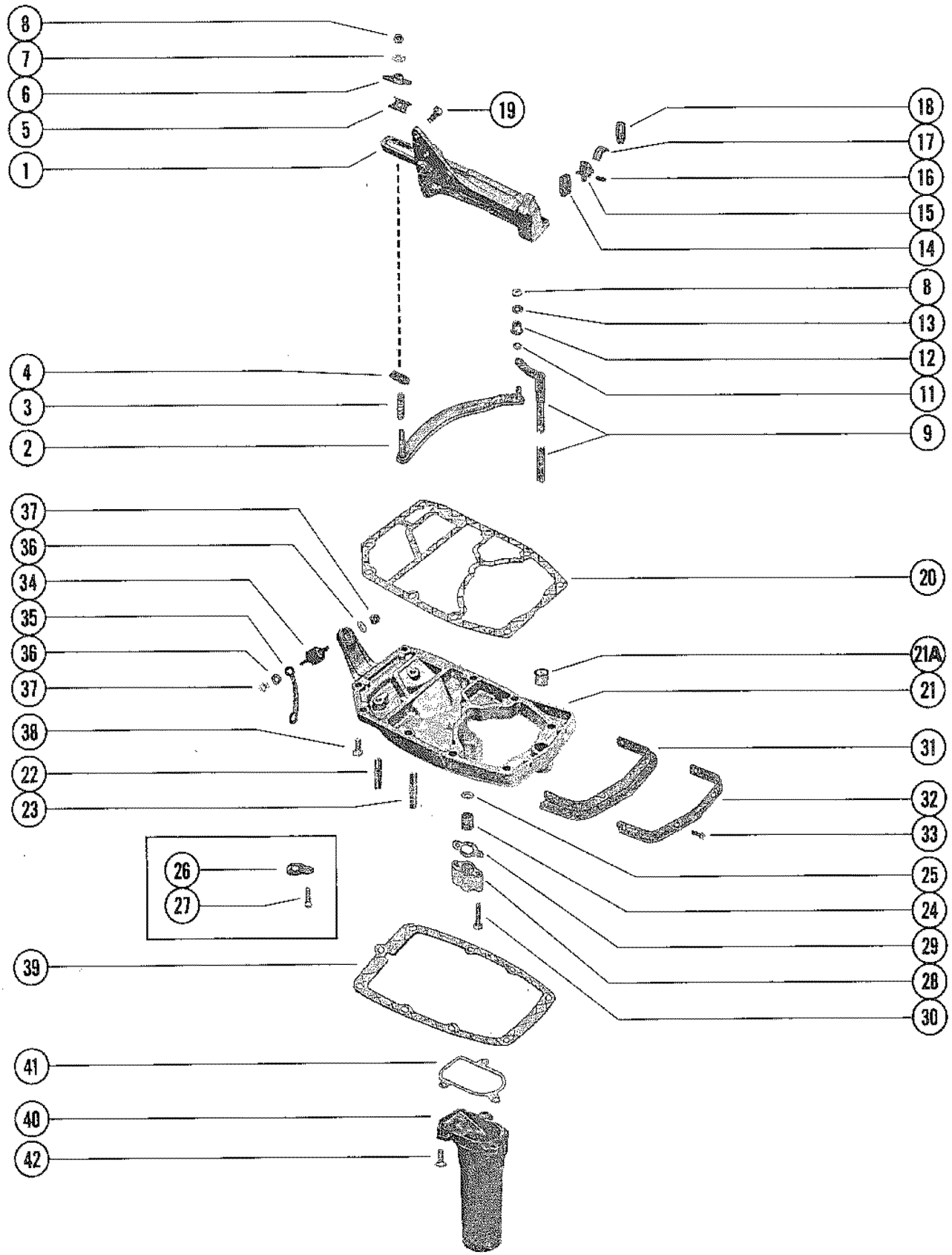
CRANKSHAFT, PISTONS AND CONNECTING RODS



CRANKSHAFT, PISTONS AND CONNECTING RODS

REF. NO.	PART NO.	SYM.	QTY.	DESCRIPTION
-	745-5303A2		3	PISTON AND PISTON PIN ASSEMBLY- (.015) UNITED STATES 4825248 AND BELOW AUSTRALIA 8049849 AND BELOW BELGIUM 9176875 AND BELOW CANADA 7110247 AND BELOW
-	745-6697A2		3	PISTON AND PISTON PIN ASSEMBLY- (.015) UNITED STATES 4825249 AND UP AUSTRALIA 8049850 AND UP BELGIUM 9176876 AND UP CANADA 7110248 AND UP
-	39-78811A12		1	RING, PISTON(.015)
-	A-27-76589A77		0	GASKET SET
-	A-27-76589A78		0	GASKET SET

SHIFT LINKAGE AND EXHAUST PLATE



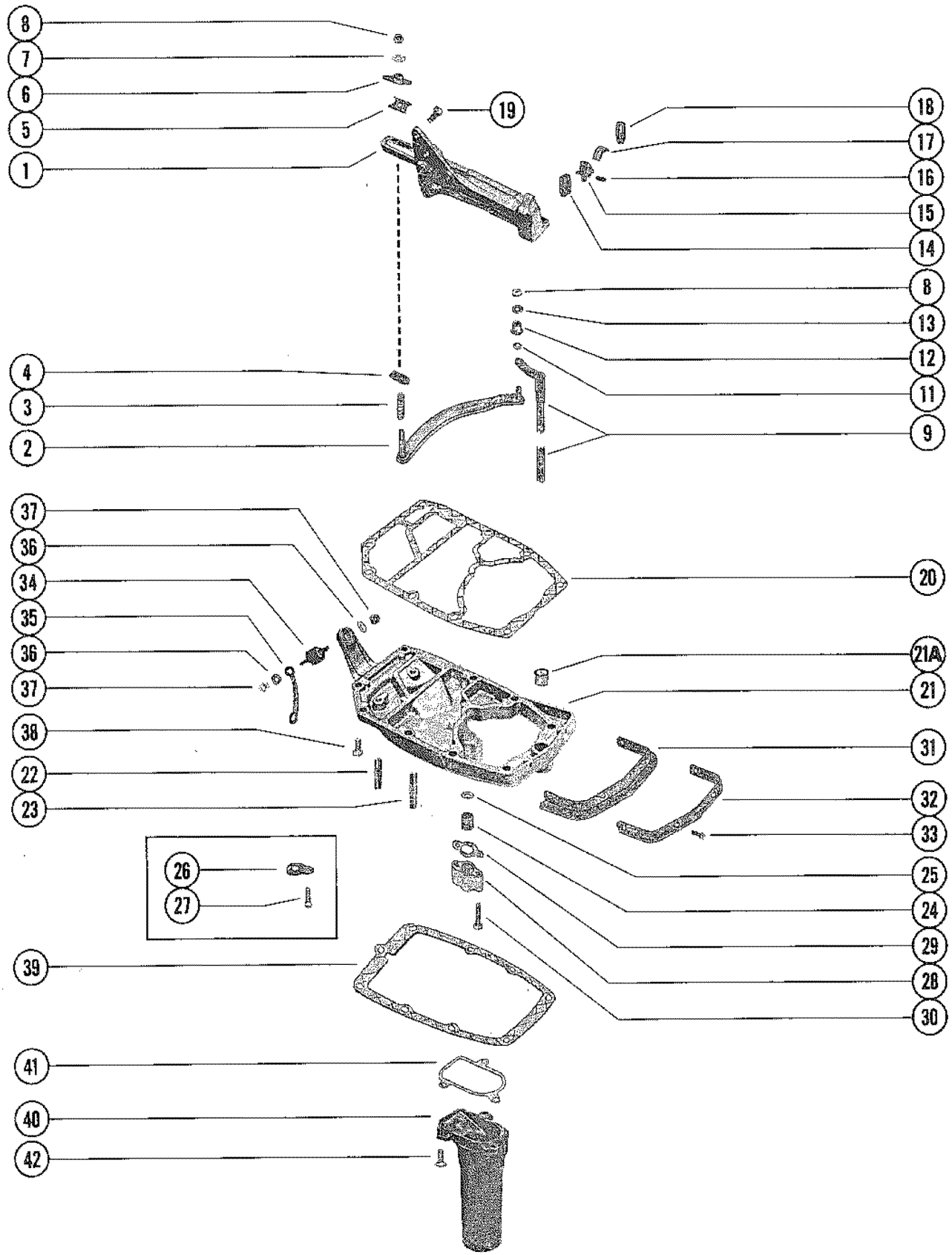
SHIFT LINKAGE AND EXHAUST PLATE

REF. NO.	PART NO.	SYM.	QTY.	DESCRIPTION
1	58908		1	BRACKET, ANDCHOR-CONTROL CABLES
2	60283A1		1	LINK ASSEMBLY SHIFT SHAFT AND ANCHOR BRACKET
3	24-20099		1	SPRING, LINK TO ANCHOR BRACKET
4	37896		1	GUIDE BLOCK, LINK
5	52100		1	WEAR PLATE, NYLON-LINK
6	38279		1	LATCH, LINK TO ANCHOR BRACKET
7	12-21631		1	WASHER, LINK LATCH
8	11-36069		2	NUT, LINK ATTACHING
9	75355A20		1	SHIFT SHAFT ASSEMBLY, UPPER (SHORT SHAFT) UNITED STATES 4825248 AND BELOW AUSTRALIA 8049849 AND BELOW BELGIUM 9176875 AND BELOW CANADA 7110247 AND BELOW
	75355A22		1	SHIFT SHAFT ASSEMBLY, UPPER (LONG SHAFT) UNITED STATES 4825248 AND BELOW AUSTRALIA 8049849 AND BELOW BELGIUM 9176875 AND BELOW CANADA 7110247 AND BELOW
	75355A30		1	SHIFT SHAFT ASSEMBLY, UPPER (SHORT SHAFT) UNITED STATES 4825249 AND UP AUSTRALIA 8049850 AND UP BELGIUM 9176876 AND UP CANADA 7110248 AND UP
	75355A32		1	SHIFT SHAFT ASSEMBLY, UPPER (LONG SHAFT) UNITED STATES 4825249 AND UP AUSTRALIA 8049850 AND UP BELGIUM 9176876 AND UP CANADA 7110248 AND UP
11	13-29720		1	WASHER, WAVE-SHIFT SHAFER TO LINK
12	23-26600		1	BUSHING, NYLON-SHIFT SHAFT TO LINK
13	12-35462		1	WASHER, LINK (SHIFT SHAFT END)
14	39519		1	CUP, RETAINER-ANCHOR BRACKET
15	39618		1	LEVER, LYLON-SHIFT CABLE LOCKING
16	14-47175		3	PIN, LOCKING LEVER AND CPVER FASTENING
17	65799		1	LINK, LOCKING LEVER TO COVER
18	39667		1	COVER, NYLON-SHIFT CALBE
19	10-69101		3	SCREW ANCHOR BRACKET TO CRANKCASE/CYL. BLOCK (7/8")
20	27-76589	●	1	GASKET, POWERHEAD TO EXHAUST PLATE UNITED STATES 4825248 AND BELOW AUSTRALIA 8049849 AND BELOW BELGIUM 9176875 AND BELOW CANADA 7110247 AND BELOW
	27-78623	■ ■	1	GASKET, POWERHEAD TO EXHAUST PLATE UNITED STATES 4825249 AND UP AUSTRALIA 8049850 AND UP BELGIUM 9176876 AND UP CANADA 7110248 AND UP
21	76588A3		1	EXHAUST PLATE ASSEMBLY UNITED STATES 4825248 AND BELOW AUSTRALIA 8049849 AND BELOW BELGIUM 9176875 AND BELOW CANADA 7110247 AND BELOW
	78056A3		1	EXHAUST PLATE ASSEMBLY-SERIEL GROUP #5
	78727A3		1	EXHAUST PLATE ASSEMBLY UNITED STATES 4977157 THRU 5128279 AUSTRALIA 8050200 THRU 8056219 BELGIUM 9196961 THRU 9207525 CANADA 7110998 THRU 7129887

- = COMPONENT OF [27-76589A77] GASKET SET
- = CONTENTS OF [27-76589A78] GASKET SET
- = CONTENTS OF [27-76589A79] GASKET SET

CONTINUED ON NEXT PAGE ➡

SHIFT LINKAGE AND EXHAUST PLATE

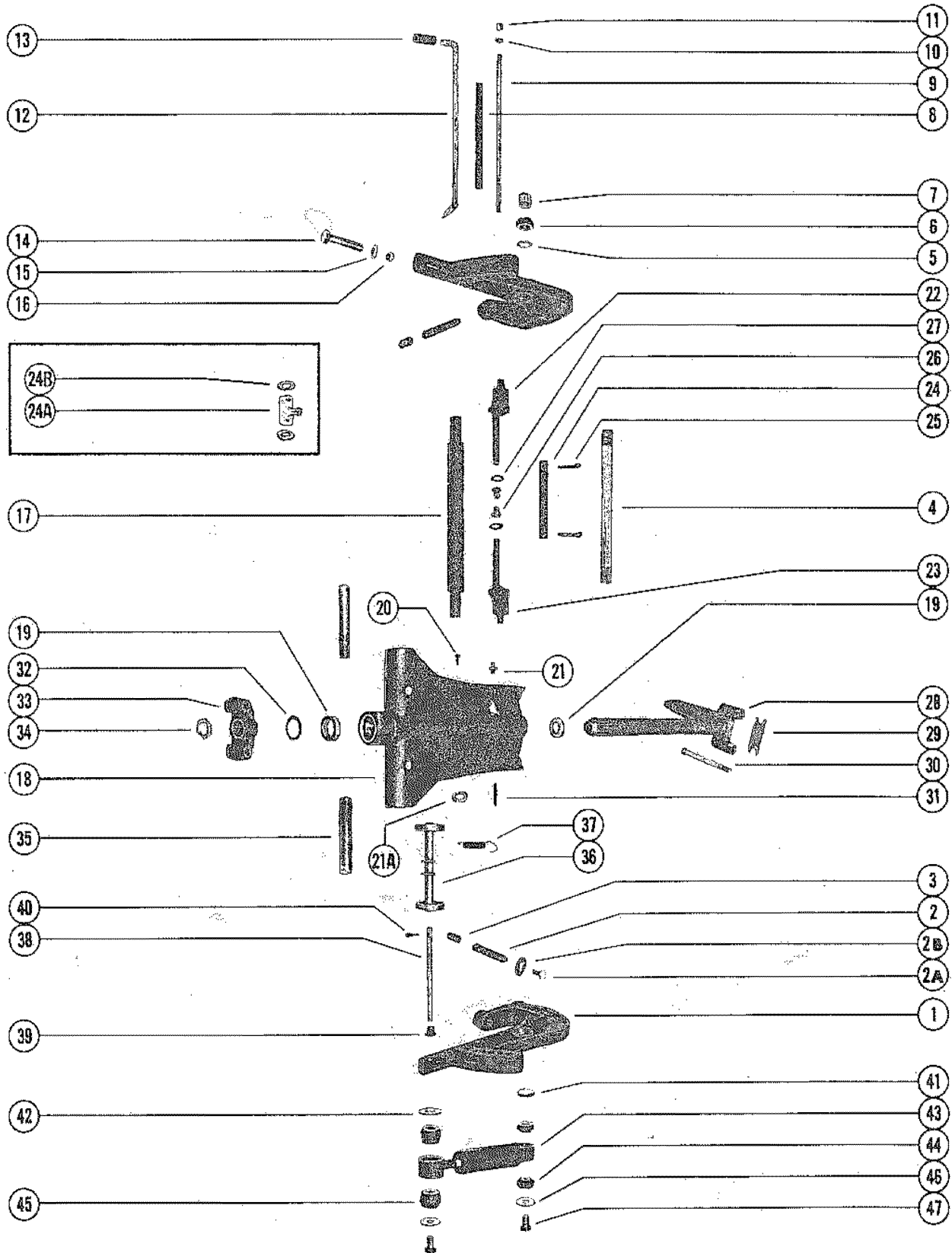


SHIFT LINKAGE AND EXHAUST PLATE

REF. NO.	PART NO.	SYM.	QTY.	DESCRIPTION
21	79618A3		1	ESHAUST PLATE ASSEMBLY UNITED STATES 5128280 AND UP AUSTRALIA 8056220 AND UP BELGIUM 9207526 AND UP CANADA 7129888 AND UP
21A	23-27132		1	BUSHING, NYLON-EXHAUST PLATE
22	16-69058		1	STUD EXHAUST PLATE TO DRIVE SHAFT HOUSING (1 11/16")
23	16-68166		1	STUD EXHAUST PLATE TO DRIVE SHAFT HOUSING (2 1/8")
24	73156	●	1	SEAL, WATER INLET TUBE UNITED STATES 4825248 AND BELOW AUSTRALIA 8049849 AND BELOW BELGIUM 9176875 AND BELOW CANADA 7110247 AND BELOW
	26-38452	■	1	SEAL, WATER INLET TUBE UNITED STATES 4825249 AND UP AUSTRALIA 8049850 AND UP BELGIUM 9176876 AND UP CANADA 7110248 AND UP
25	12-38453		1	WASHER, NYLON-WATER INLET TUBE SEAL
26	38500		1	RETAINER, WATER INLET TUBE SEAL UNITED STATES 5128279 AND BELOW AUSTRALIA 8056219 AND BELOW BELGIUM 9207525 AND BELOW CANADA 7110997 AND BELOW
27	10-69069		1	SCREW, RETAINER TO EXHAUST PLATE (3/4") UNITED STATES 5128279 AND BELOW AUSTRALIA 8056219 AND BELOW BELGIUM 9207525 AND BELOW CANADA 7110997 AND BELOW
28	79799		1	HOUSING, WATER INLET TUBE SEAL UNITED STATES 5128280 AND UP AUSTRALIA 8056220 AND UP BELGIUM 9207526 AND UP CANADA 7129888 AND UP
29	27-79797		1	GASKET, HOUSING GROUP #7
30	10-79798		2	SCREW, HOUSING TO EXHAUST PLATE GROUP #7
31	60307		1	SEAL EXHAUST PLATE
32	60306		1	STRIP, RETAINING-EXHAUST PLATE SEAL
33	10-62568		4	SCREW RETAINING STRIP TO EXHAUST PLATE (3/8")
34	63007		1	MOUNT RUBBER-EXHAUST PLATE TO REAR COWL SUPPORT
35	49651A1		1	GROUND STRAP ASS"Y EXHAUST PLATE TO REAT COWL SUPPORT
36	12-20346		2	WASHER, RUBBER MOUNT ATTACHING
37	11-20361		2	NUT, RUBBER MOUNT TO EXHAUST PLATE
38	10-68918		3	SCREW EXHAUST PLATE TO CYLINDER BLOCK (1")
	10-28668		1	SCREW EXHAUST PLATE TO CYLINDER BLOCK (7/8")
39	27-38501	●■	1	GASKET, ADAPTOR PLATE TO DRIVE SHAFT HOUSING
40	76903		1	EXHAUST TUBE, ADAPTOR
41	27-60280	●■	1	GASKET, EXHAUST TUBE TO EXHAUST PLATE
42	10-28636		3	SCREW, EXHAUST TUBE TO EXHAUST PLATE (3/4")

- = COMPONENT OF [27-76589A77] GASKET SET
- = CONTENTS OF [27-76589A78] GASKET SET
- = CONTENTS OF [27-76589A79] GASKET SET

CLAMP AND SWIVEL BRACKET ASSEMBLY

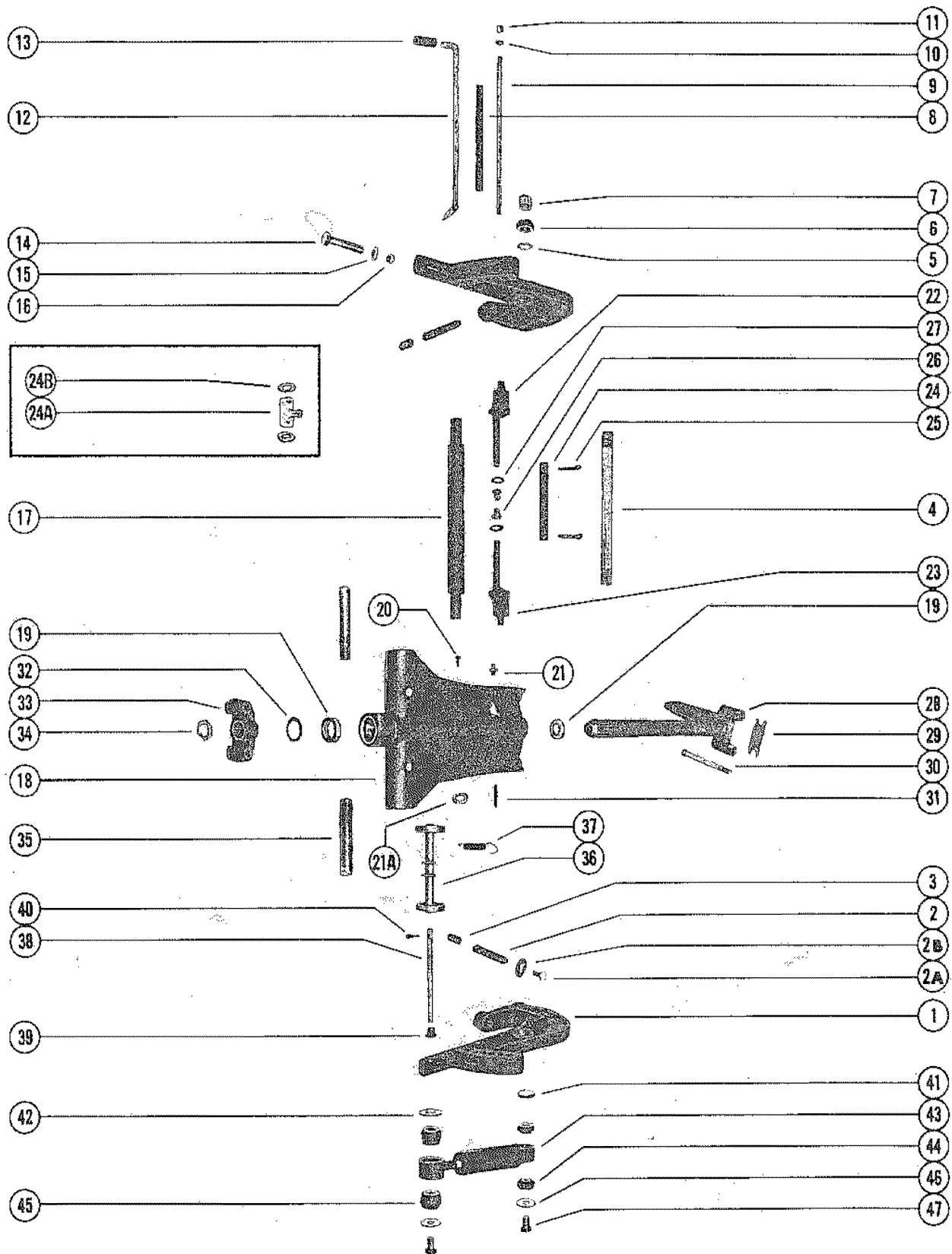


CLAMP AND SWIVEL BRACKET ASSEMBLY

REF. NO.	PART NO.	SYM.	QTY.	DESCRIPTION
1	1440-6044A2		2	CLAMP BRACKET ASSEMBLY WASHER ATTACHED WITH A RETAINING RING
2	10-73649A1		2	THUMB SCREW ASSEMBLY WASHER ATTACHED WITH A RETAINING RING
3	75043		2	CAP, THUMB SCREW WASHER ATTACHED WITH A RETAINING RING
1	1440-7374A2		2	CLAMP BRACKET ASSEMBLY WASHER ATTACHED WITH A SCREW
2	10-78492A1		2	THUMB SCREW ASSEMBLY WASHER ATTACHED WITH A SCREW
2A	10-78495		2	SCREW WASHER TO THUMB SCREW -WASHER ATTACHED WITH A SCREW
2B	12-78493		2	WASHER THUMB SCREW -WASHER ATTACHED WITH A SCREW
3	75043		2	CAP THUMB SCREW -WASHER ATTACHED WITH A SCREW
4	74528		1	TUBE, TILT-CLAMP BRACKET TO SWIVEL BRACKET
5	12-52864		2	WASHER, CLAMP BRACKET TILT TUBE
6	11-56041		2	NUT, TILT TUBE FASTENING
7	53078		2	CAP, PLASTIC-TILT TUBE
8	23-59624		1	SPACER, CLAMP BRACKET STUD
9	16-59625		1	STUD, CLAMP BRACKER (9 1/2")
10	13-26993		2	LOCKWASHER, CLAMP BRACKER STUD
11	11-28770		2	NUT, CLAMP BRACKET STUD
12	17-49930A1		1	TILT LOCK PIN ASSEMBLY
13	32-28052		1	SLEEVE, RUBBER-TILT LOCK PIN BUMPER
14	10-68298		2	VOLT, CLAMP BRACKET TO BAOT TRANSOM (3 1/4")
15	12-68410		2	WASHER, CLAMP BRACKET BOLT
14	10-68299		2	BOLT CLAMP BRACKET TO BOAT TRANSOM (3")-OLD STYLE CLAMP BRACKET
	10-87302		2	BOLT CLAMP BRACKET TO BOAT TRANSOME (5")-NEW STYLE CLAMP BRCKET
15	12-28420		2	WASHER CLAMP BRACKET BOLT-NEW STYLE CLAMP BRACKET
	12-68300		2	WASHER, CLAMP BRACKER BOLT
16	11-68411		4	NUT, CLAMP BRACKET BOLT
17	55-28416		1	PIN, UPPER SHOCK MOUNTING
18	1489-7216A4		1	SWIVEL BRACKET ASSEMBLY (SHORT SHAFT)
	1490-7218A4		1	SWIVEL BRACKET ASSEMBLY (LONG SHAFT)
19	26-32911		3	OIL SEAL, SWIVEL BRACKER
20	10-47828		1	SCREW, DRIVE-SWIVEL BRACKER UNITED STATES 5285533 AND BELOW AUSTRALIA 8059594 AND BELOW BELGIUM 9225255 AND BELOW CANADA 7129887 AND BELOW
21	22-74036		3	FITTING, GREASE

CONTINUED ON NEXT PAGE ➡

CLAMP AND SWIVEL BRACKET ASSEMBLY

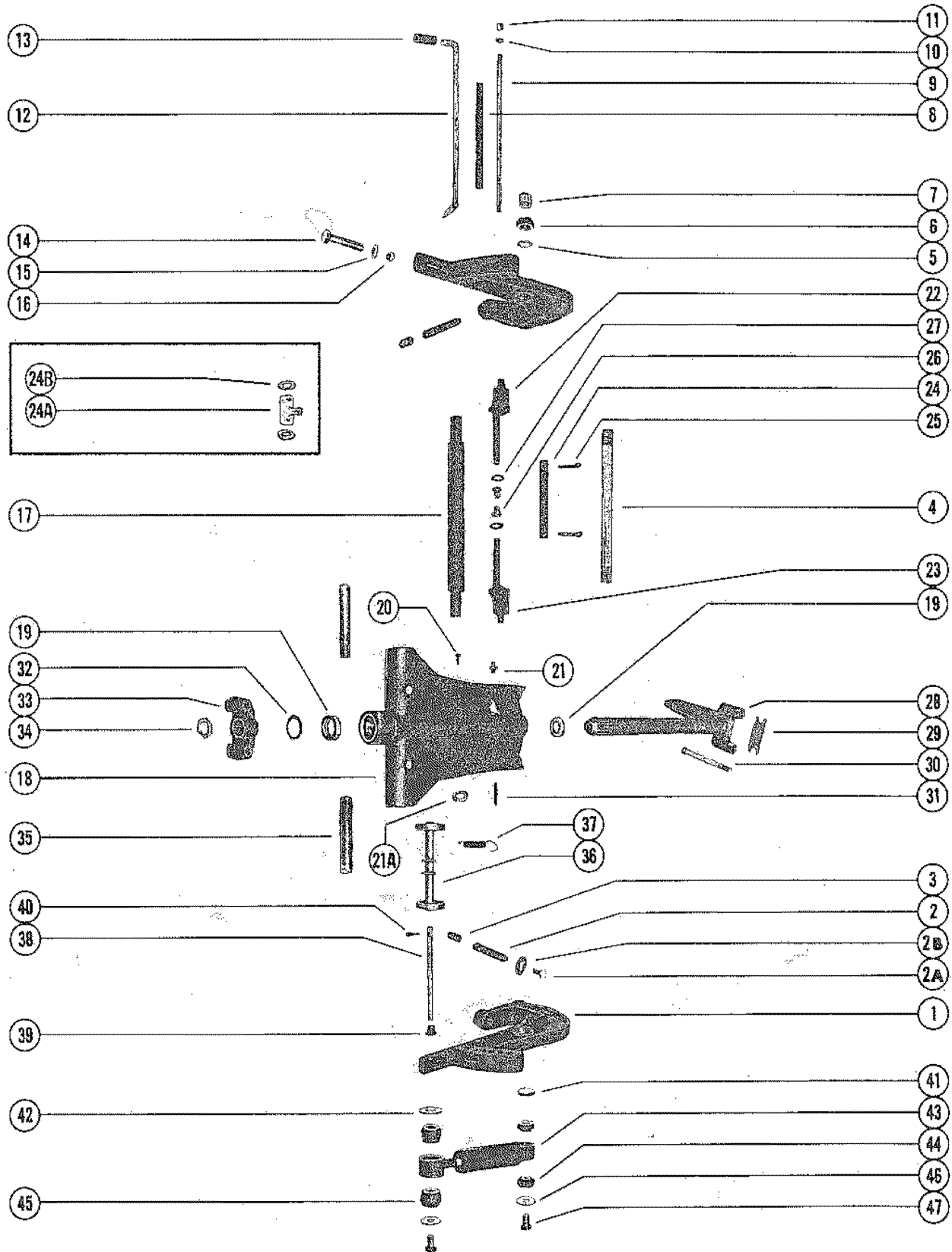


CLAMP AND SWIVEL BRACKET ASSEMBLY

REF. NO.	PART NO.	SYM.	QTY.	DESCRIPTION
21A	26-22734		2	OIL SEAL, SWIVEL BRACKET (TILT LOCK) UNITED STATES 5285534 AND UP AUSTRALIA 8059595 AND UP BELGIUM 9225256 AND UP CANADA 7129888 AND UP
22	76386		1	TILT LOVK, STARBOARD
23	76385		1	TILT LOCK, PORT
24	47802		1	TUBE, TILT LOCK UNITED STATES 5285533 AND BELOW AUSTRALIA 8059594 AND BELOW BELGIUM 9225255 AND BELOW CANADA 7129887 AND BELOW
24A	79659		1	CIOUPLING, TILT LOCK UNITED STATES 5285534 AND UP AUSTRALIA 8059595 AND UP BELGIUM 9225256 AND UP CANADA 7129888 AND UP
24B	25-67202		2	"O"RING, TILT LOCK LEVER UNITED STATES 5285534 AND UP AUSTRALIA 8059595 AND UP BELGIUM 9225256 AND UP CANADA 7129888 AND UP
25	18-47959		2	COTTER PIN, TILT LOCK
26	23-71574		2	BUSHING, TILT LOCK TUBE UNITED STATES 5285533 AND BELOW AUSTRALIA 8059594 AND BELOW BELGIUM 9225255 AND BELOW CANADA 7129887 AND BELOW
27	13-69150		2	WASHER, WAVE-TILT LOCK TUBE UNITED STATES 5285533 AND BELOW AUSTRALIA 8059594 AND BELOW BELGIUM 9225255 AND BELOW CANADA 7129887 AND BELOW
28	69540A1		1	SWIVEL PIN AND STEERING ARM ASSEMBLY (SHORT SHAFT) YOKE IS ATTACHED WITH A NUT
	69540A3		1	SWIVEL PIN AND STEERING ARM ASSEMBLY (LONG SHAFT) YOKE IS ATTACHED WITH A NUT
	69540A3		1	SWIVEL PIN AND STEERING ARM ASSEMBLY (SHORT SHAFT) YOKE IS ATTACHED WITH A RETAINING RING
	69540A4		1	SWIVEL PIN AND STEERING ARM ASSEMBLY (LONG SHAFT) YOKE IS ATTACHED WITH A RETAINING RING
29	30711		1	BUMPER, STEERING ARM
30	10-66897		2	BOLT, UPPER MOUNT TO SWIVEL PIN (7/16X5 1/4")
31	17-25598		1	PIN, REVERSE LOCK SPRING ATTACHING
32	12-25176		1	WASHER, SWIVEL PIN TO BOTTOM YOKE (.062)
	12-26837		AR	WASHER, SWIVEL PIN TO BOTTOM YOKE (.065)
33	76430		1	YOKE, BOTTOM YOKE IS ATTACHED WITH A NUT
34	11-71956		1	NUT, BOTTOM YOKE RETAINING YOKE IS ATTACHED WITH A NUT
33	77416		1	YOKE BOTTOM YOKE IS ATTACHES WITH A RETAINING RING
34	53-77415		1	RETAINING RING, BOTTOM YOKE YOKE IS ATTACHES WITH A RETAINING RING
35	55-69653		2	PIN, LOWER SHOCK MOUNTING
36	70691		1	REVERSE LOCK
37	24-78203A1		1	SPRING AND PIN ASSEMBLY REVERSE LOCK TENSION
38	56349		1	SHAFT, REVERSE LOCK PIVOT
39	23-69132		2	BUSHING, REVERSE LOCK PIVOT SHAFT
40	23-45882		1	COTTER PIN, REVERSE LOCK TO SHAFT
41	23-73203		2	SPACER UPPER SHOCK BUSHING TO CLAMP BRACKET
42	12-59378		2	WASHER, LOWER BUSHING RETAINER (INNER)

CONTINUED ON NEXT PAGE ➡

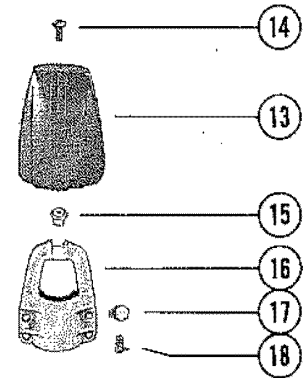
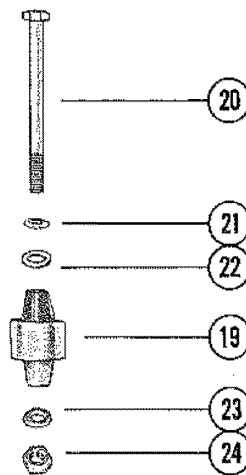
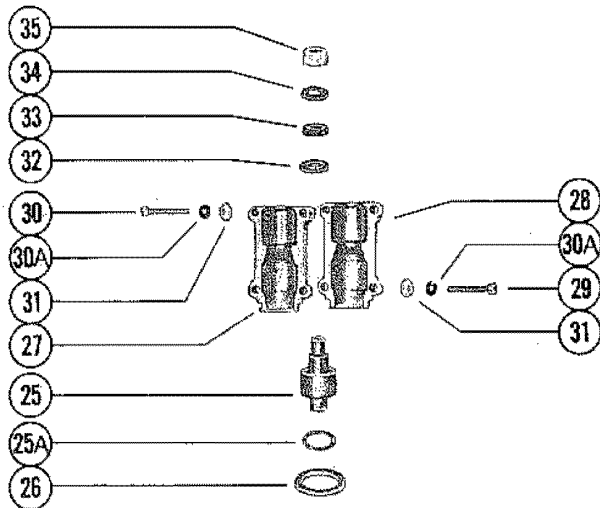
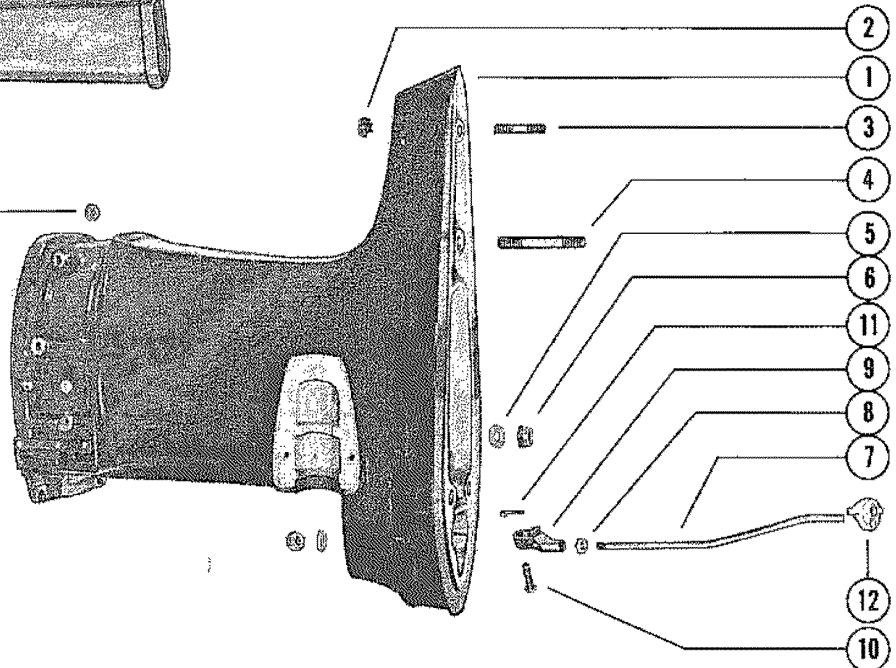
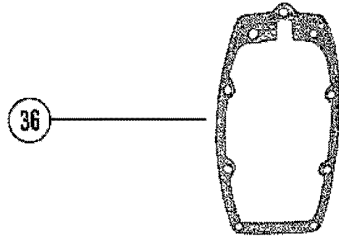
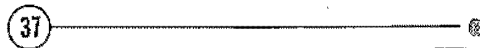
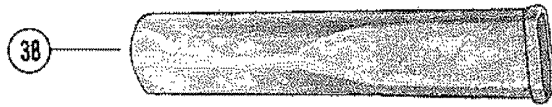
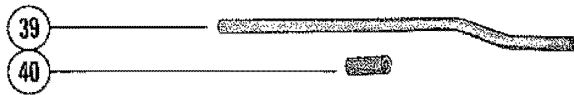
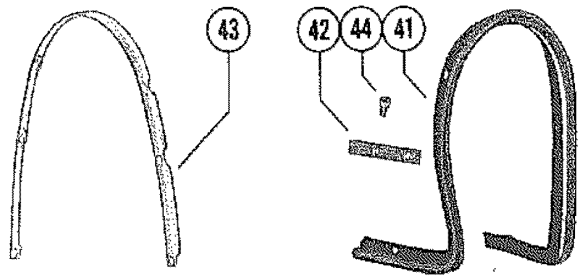
CLAMP AND SWIVEL BRACKET ASSEMBLY



CLAMP AND SWIVEL BRACKET ASSEMBLY

REF. NO.	PART NO.	SYM.	QTY.	DESCRIPTION
43	55-58780A2		2	SHOCK ABSORBER
44	23-32171		4	BUSHING, RUBBER-SHOCK ABSORBER (UPPER)
45	23-28198		4	BUSHING, RUBBER-SHOCK ABSORBER (LOWER)
46	12-69374		4	WASHER UPPER AND LOWER BUSHING RETAINER (OUTER)
47	10-69375		4	SCREW UPPER AND LOWER SHOCK MOUNTING PIN (3/4")

DRIVE SHAFT HOUSING ASSEMBLY



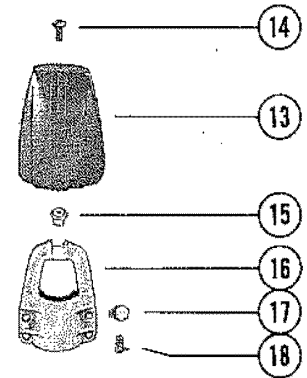
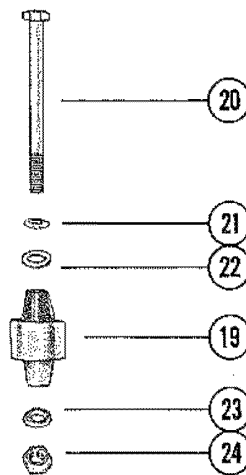
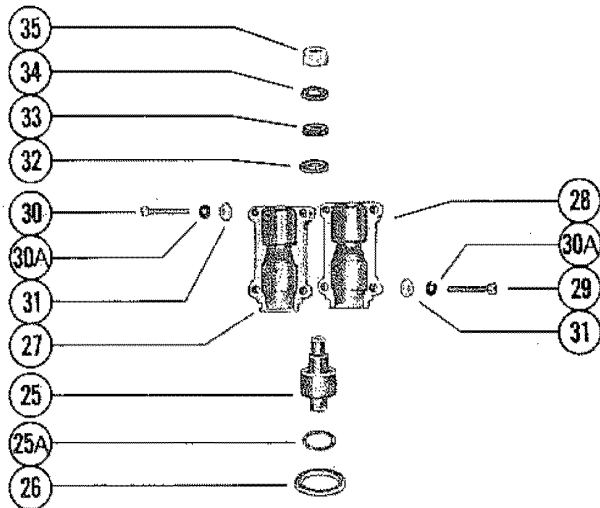
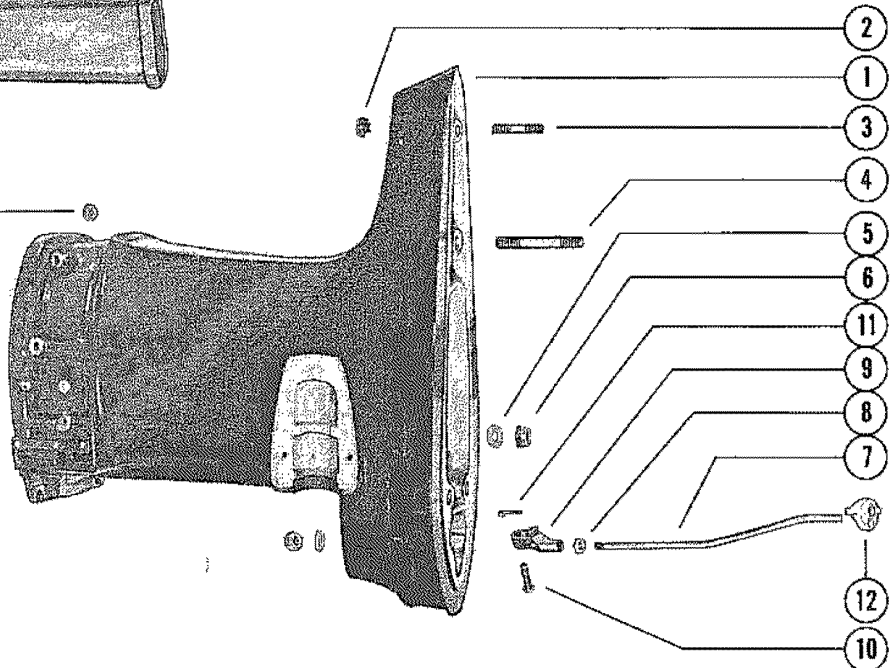
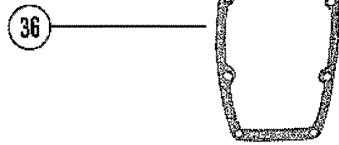
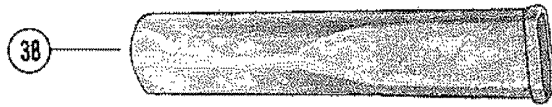
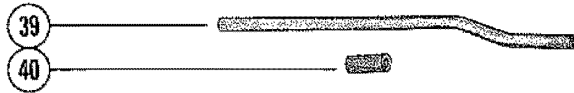
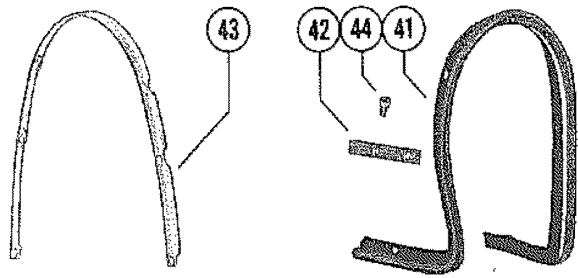
DRIVE SHAFT HOUSING ASSEMBLY

REF. NO.	PART NO.	SYM.	QTY.	DESCRIPTION
1	1554-4813A2		1	DRIVE SHAFT HOUSING ASSEMBLY (SHORT SHAFT) UNITED STATES 4825248 AND BELOW AUSTRALIA 8049849 AND BELOW BELGIUM 9176875 AND BELOW CANADA 7110247 AND BELOW
	1564-4812A2		1	DRIVE SHAFT HOUSING ASSEMBLY(LONG SHAFT) UNITED STATES 4825248 AND BELOW AUSTRALIA 8049849 AND BELOW BELGIUM 9176875 AND BELOW CANADA 7110247 AND BELOW
	1554-7073A2		1	DRIVE SHAFT HOUSING ASSEMBLY (SHORT SHAFT) UNITED STATES 4825249 AND UP AUSTRALIA 8049850 AND UP BELGIUM 9176876 AND UP CANADA 7110248 AND UP
	1564-7072A2		1	DRIVE SHAFT HOUSING ASSEMBLY (LONG SHAFT) UNITED STATES 4825249 AND UP AUSTRALIA 8049850 AND UP BELGIUM 9176876 AND UP CANADA 7110248 AND UP
2	19-64649		1	PLUG, PLASTIC-TRIM TAB SCREW HOLE
3	16-57932		1	STUD DRIVE SHAFT HOUSING TO GEAR HOUSING (1 3/4")
4	16-57935		1	STUD DRIVE SHAFT HOUSING TO GEAR HOUSING (3")
5	12-65791		2	WASHER GEAR HOUSING TO DRIVE SHAFT HOUSING STUDS
6	11-34933		2	NUT GEAR HOUSING TO DRIVE SHAFT HOUSING STUDS (7/16")
7	47835		1	ROD, PUSH-REVERSE LOCK(SHORT SHAFT)
	47836		1	ROD, PUSH-REVERSE LOCK (LONG SHAFT)
8	11-28770		1	NUT, JAM-PUSH ROD
9	47837		1	ROD END, PUSH ROD
10	17-39023		1	PIN, PUSH ROD TO REVERSE LOCK
11	18-25191		1	COTTER PIN, PUSH ROD PIN
12	75105		1	GUIDE, PUSH ROD
13	35474		2	COVER, LOWER MOUNT CLAMP
14	10-29722		2	SCREW, COVER TO LOWER MOUNT CLAMP
15	11-35521		2	NUT, LOWER MOUNT CLAMP COVER
16	69592		2	CLAMP, LOWER MOUNT TO DRIVE SHAFT HOUSING
17	10-29256		4	SCREW, LOWER MOUNT CLAMP TO DRIVE SHAFT HOUSING (7/8")
18	24-35522		4	SPRING, TENTION-LOWER MOIUNT CLAMP
19	75304		2	MOUNT, RUBBER-LOWER
20	10-49318		2	SCREW, LOWER MOUNT (5 1/2")
21	12-28051		2	WASHER, LOWER MOUNT SCREW
22	12-28053		2	WASHER, RUBBER - LOWER MOUNT SCREW
23	12-61709		2	WASHER, LOWER MOUNT SCREW
24	11-25096		2	NUT, LOWER MOUNT SCREW
25	75303		2	MOUNT, RUBBER-UPPER
25A	25-65936	● ■	2	"O"RING, UPPER MOUNT UNITED STATES 4977156 AND BELOW AUSTRALIA 8050199 AND BELOW BELGIUM 9196960 AND BELOW CANADA 7110997 AND BELOW

● = COMPONENT OF [27-76589A77] GASKET SET
 ■ = CONTENTS OF [27-76589A78] GASKET SET

CONTINUED ON NEXT PAGE ➡

DRIVE SHAFT HOUSING ASSEMBLY



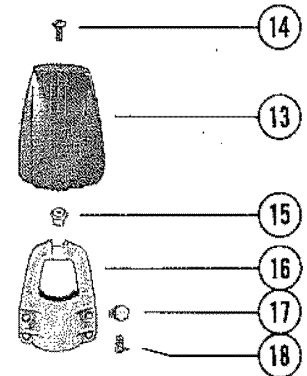
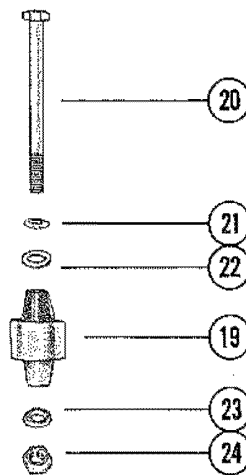
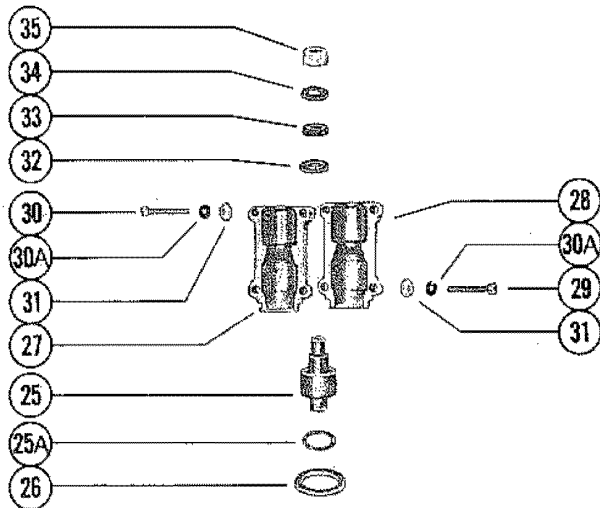
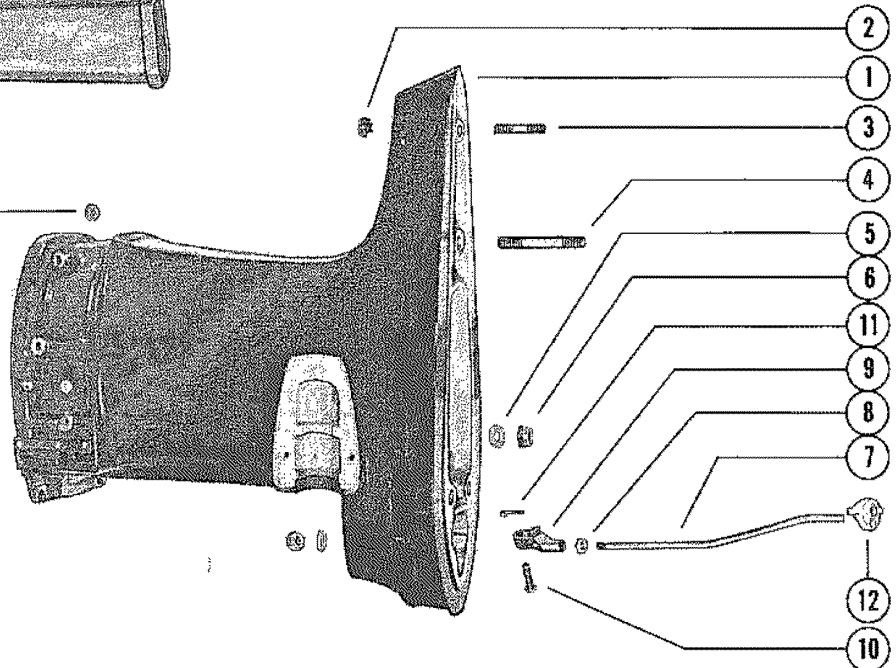
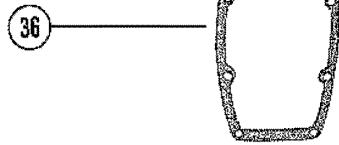
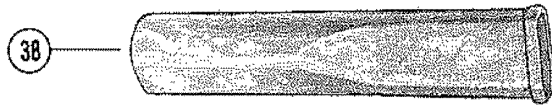
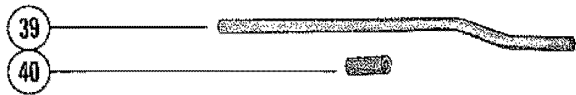
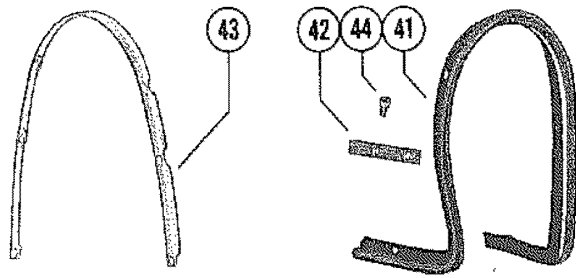
DRIVE SHAFT HOUSING ASSEMBLY

REF. NO.	PART NO.	SYM.	QTY.	DESCRIPTION
26	24929		2	PACKING, "U" CUP-UPPER MOUNT COVERS UNITED STATES 4977156 AND BELOW AUSTRALIA 8050199 AND BELOW BELGIUM 9196960 AND BELOW CANADA 7110997 AND BELOW
27	24935		2	COVER, UPPER MOUNT-OUTSIDE HALF UNITED STATES 4977156 AND BELOW AUSTRALIA 8050199 AND BELOW BELGIUM 9196960 AND BELOW CANADA 7110997 AND BELOW
28	31120		2	COVER, UPPER MOUNT-INSIDE HALF UNITED STATES 4977156 AND BELOW AUSTRALIA 8050199 AND BELOW BELGIUM 9196960 AND BELOW CANADA 7110997 AND BELOW
26	79660		2	SEAL, BELLOWS-UPPER MOUNT UNITED STATES 4977157 AND UP AUSTRALIA 8050200 AND UP BELGIUM 9196961 AND UP CANADA 7110998 AND UP
27	79680		2	COVER, UPPER MOUNT- OUTSIDE HALF UNITED STATES 4977157 AND UP AUSTRALIA 8050200 AND UP BELGIUM 9196961 AND UP CANADA 7110998 AND UP
28	79681		2	COVER, UPPER MOUNT-INSIDE HALF UNITED STATES 4977157 AND UP AUSTRALIA 8050200 AND UP BELGIUM 9196961 AND UP CANADA 7110998 AND UP
29	10-49987		4	SCREW, UPPER MOUNT COVER-REAR (1 1/2") UNITED STATES 4825248 AND BELOW AUSTRALIA 8049849 AND BELOW BELGIUM 9176875 AND BELOW CANADA 7110247 AND BELOW
30	10-49988		4	SCREW, UPPER MOUNT COVER-FRONT (1 3/4") UNITED STATES 4825248 AND BELOW AUSTRALIA 8049849 AND BELOW BELGIUM 9176875 AND BELOW CANADA 7110247 AND BELOW
31	11-69431		8	NUT, UPPER MOUNT COVER SCREW UNITED STATES 4825248 AND BELOW AUSTRALIA 8049849 AND BELOW BELGIUM 9176875 AND BELOW CANADA 7110247 AND BELOW
29	10-69029		4	SCREW, UPPER MOUNT COVER-REAF (1 3/4") UNITED STATES 4825249 AND UP AUSTRALIA 8049850 AND UP BELGIUM 9176876 AND UP CANADA 7110248 AND UP
30	10-67916		4	SCREW, UPPER MOUNT COVER-FRONT (2") UNITED STATES 4825249 AND UP AUSTRALIA 8049850 AND UP BELGIUM 9176876 AND UP CANADA 7110248 AND UP
30A	12-29245		8	WASHER, UPPER MOUNT COVER SCREW UNITED STATES 4825249 AND UP AUSTRALIA 8049850 AND UP BELGIUM 9176876 AND UP CANADA 7110248 AND UP
31	11-36069		8	NUT, UPPER MOUNT COVER SCREW UNITED STATES 4825249 AND UP AUSTRALIA 8049850 AND UP BELGIUM 9176876 AND UP CANADA 7110248 AND UP
32	12-27727		2	WASHER, UPPER MOUNT BOLT (4/16 ID)
33	12-66966		2	WASHER, RUBBER-UPPER MOUNT BOLT
34	12-30514		2	WASHER, UPPER MOUNT BOLT (7/16 ID)
35	11-34933		2	NUT, UPPER MOUNT BOLT

- = COMPONENT OF [27-76589A77] GASKET SET
- = CONTENTS OF [27-76589A78] GASKET SET
- ▣ = CONTENTS OF [27-76589A79] GASKET SET

CONTINUED ON NEXT PAGE ➡

DRIVE SHAFT HOUSING ASSEMBLY

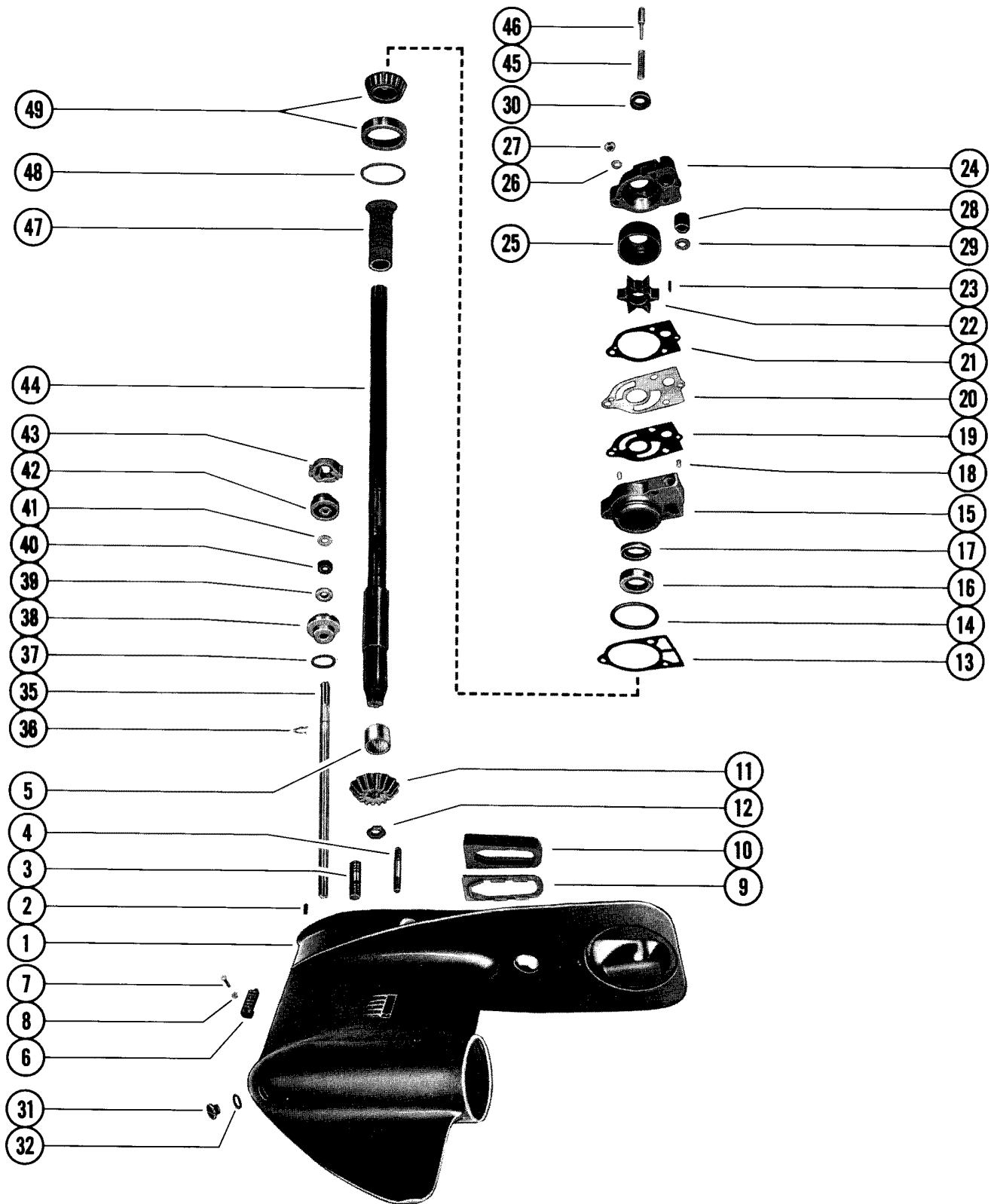


DRIVE SHAFT HOUSING ASSEMBLY

REF. NO.	PART NO.	SYM.	QTY.	DESCRIPTION
36	27-38501	●■	1	GASKET EXHAUST EXTENTION PLATE TO DRIVE SHAFT HOUSING
37	11-64809		8	NUT POWDERHEAD TO DRIVE SHAFT HOUSING STUDS (5/16")
38	69543		1	TUBE, EXHAUST(SHORT SHAFT)
	69544		1	TUBE, EXHAUST(LONG SHAFT)
39	32-37727		1	TUBE, WATER INLET(SHORT SHAFT)
	32-45679		1	TUBE, WATER INLET (LONG SHAFT)
40	23-23651		1	SLEEVE, WATER INLET TUBE
41	38157		1	SEAL, TRIM COVER TO DRIVE SHAFT HOUSING
42	38154		2	STRIP, RETAINING-TRIM COVER SEAL (SIDE)
43	38158		1	STRIP, RETAINING-TRIM COVER SEAL (REAR)
44	10-48408		10	SCREW RETAINING STRIP TO DRIVE SHAFT HOUSING (SELF TAPPING)

- = COMPONENT OF [27-76589A77] GASKET SET
- = CONTENTS OF [27-76589A78] GASKET SET
- = CONTENTS OF [27-76589A79] GASKET SET

GEAR HOUSING ASSEMBLY, COMPLETE (SERIAL GROUP NO. 3)(PAGE 1)



GEAR HOUSING ASSEMBLY, COMPLETE (SERIAL GROUP NO. 3)(PAGE 1)

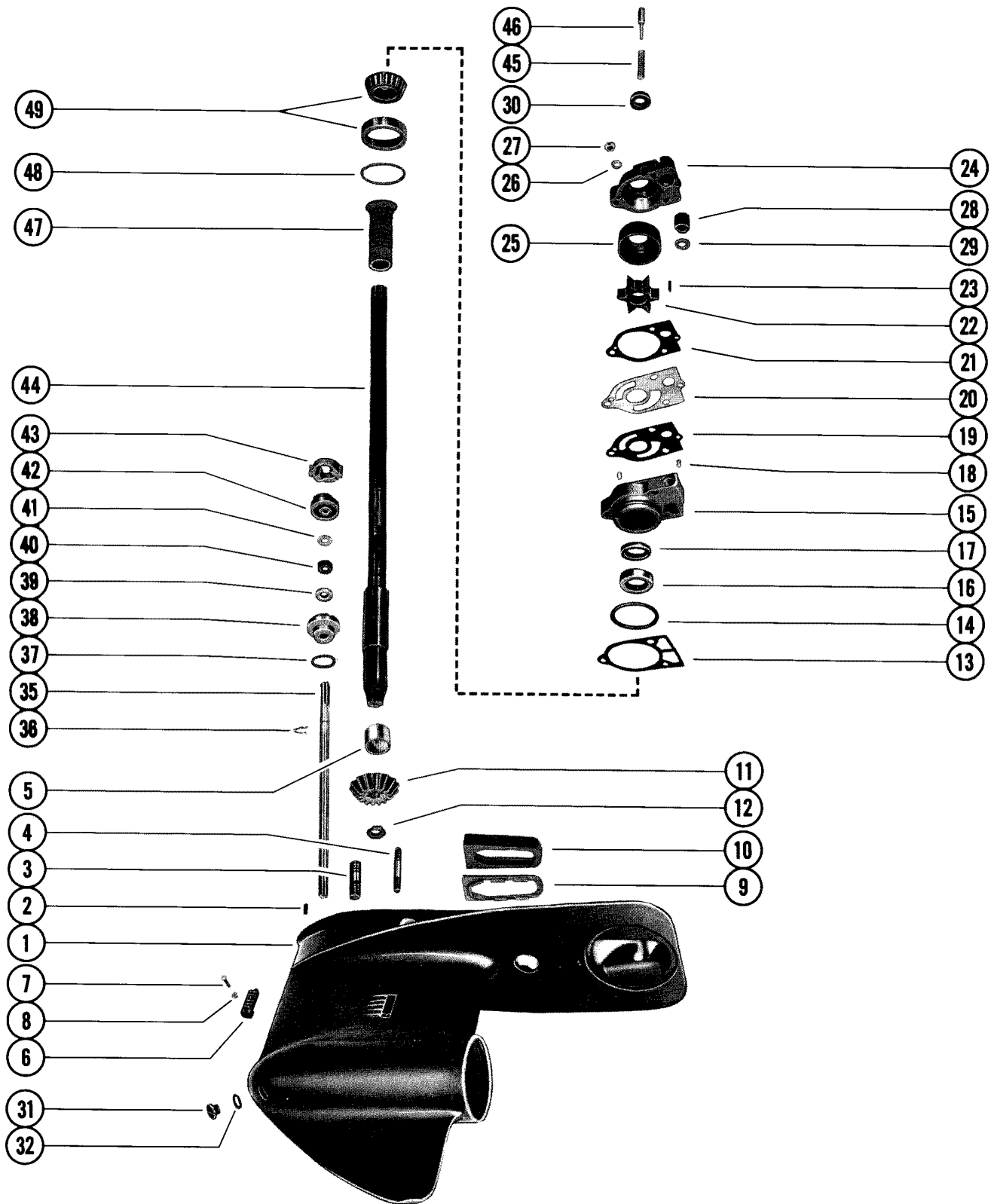
REF. NO.	PART NO.	SYM.	QTY.	DESCRIPTION
-	1643-6038A19		1	GEAR HOUSING ASSEMBLY, COMPLETE (SHORT SHAFT)-SEE NOTE BELOW
-	1643-6038A20		1	GEAR HOUSING ASSEMBLY, COMPLETE (LONG SHAFT)- SEE NOTE BELOW
1	1643-6038A6		1	GEAR HOUSING ASSEMBLY
2	17-46912		2	PIN, DOWEL-GEAR HOUSING
3	16-33778		3	STUD, WATER PUMP BODY/BASE TO GEAR HOUSING (2 5/8)
4	16-57933		2	STUD, GEAR HOUSING TO DRIVE SHAFT HOUSING (2 3/16")
5	31-62091		1	BEARING, ROLLER-DRIVE SHAFT
6	72849A1		1	SCREEN ASSEMBLY, PORT AND STARBOARD (SHORT SHAFT)
	63850		1	SCREEN WATER INTAKE-STARBOARD (LONG SHAFT)
	63851		1	SCREEN, WATER INTAKE-PORT (LONG SHAFT)
7	10-36070		1	SCREW, SCREENS TO GEAR HOUSING (1 1/4")
8	11-45812		1	NUT, SCREEN TO GEAR HOUSING SCREW
9	38071		1	PLATE, SUPPORT - EXHAUST TUBE SEAL
10	37721	●■	1	SEAL, EXHAUST TUBE
11	43-60245		1	GEAR, PINION - DRIVE SHAFT
12	11-55910		1	NUT, PINION GEAR TO DRIVE SHAFT
13	27-32771	●■	1	GASKET, WATER PUMP BASE TO GEAR HOUSING
14	25-26855	●■	1	"O" RING, WATER PUMP BASE
15	46-73640A1		1	WATER PUMP BASE ASSEMBLY
16	26-26782		1	OIL SEAL, WATER PUMP BASE
17	26-23300		1	OIL SEAL, WATER PUMP BASE
18	17-35973		2	DOWELL PIN, WATER PUMP BASE TO WATER PUMP BODY
19	27-32769	●■	1	GASKET, LOWER - WATER PUMP BASE TO FACE PLATE
20	54705		1	PLATE, FACE - WATER PUMP BASE TO WATER PUMP BODY
21	27-32770	●■	1	GASKET, UPPER - FACE PLATE TO WATER PUMP BODY
22	47-65959		1	IMPELLER, WATER PUMP
23	28-56662		1	KEY, IMPELLER DRIVE
24	46-48746A1		1	WATER PUMP BODY ASSEMBLY
25	48753		1	INSERT, WATER PUMP BODY
26	12-29245		3	WASHER, WATER PUMP BODY AND BASE STUDS
27	11-36069		3	NUT, WATER PUMP BODY AND BASE STUDS
28	26-38452	●■	1	SEAL, WATER PUMP BODY TO WATER TUBE
29	12-38453		1	WASHER, CUPPED - WATER TUBE SEAL
30	25-20273	●■	1	RING, RUBBER - CENTRIFUGAL SLINGER
31	10-28634		2	SCREW, GREASE FILLER AND VENT HOLE
32	12-20260		2	WASHER, GREASE FILLER AND VENT HOLE SCREW

● = COMPONENT OF [27-76589A77] GASKET SET

■ = CONTENTS OF [27-76589A78] GASKET SET

CONTINUED ON NEXT PAGE ➡

GEAR HOUSING ASSEMBLY, COMPLETE (SERIAL GROUP NO. 3)(PAGE 1)



GEAR HOUSING ASSEMBLY, COMPLETE (SERIAL GROUP NO. 3)(PAGE 1)

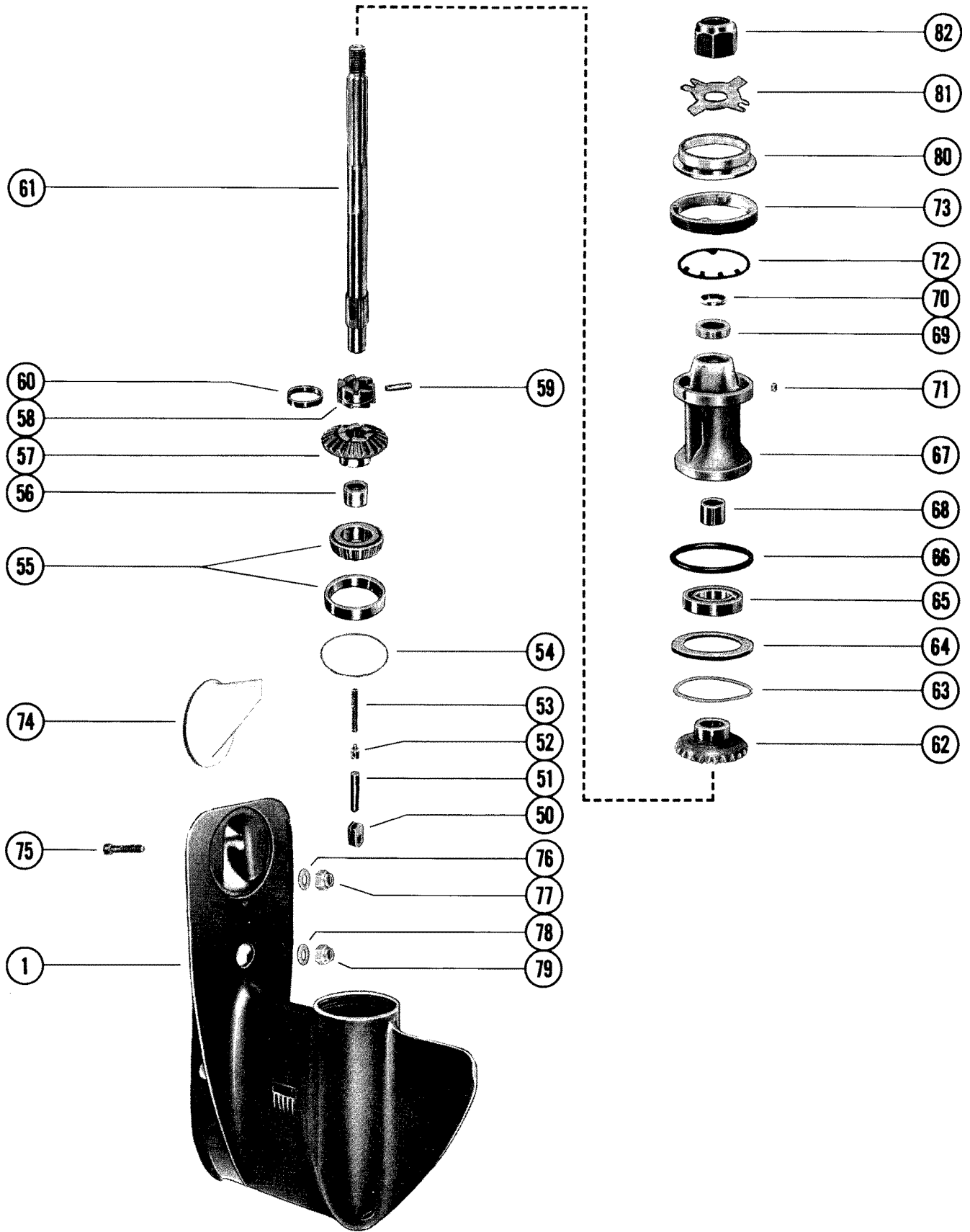
REF. NO.	PART NO.	SYM.	QTY.	DESCRIPTION
35	76063A1		1	SHAFT ASSEMBLY, SHIFT - LOWER
36	53-29641		1	CLIP, RETAINING - SHIFT SHAFT
37	25-25439	●■	1	"O" RING, SHIFT SHAFT BUSHING
38	23-55419A1		1	BUSHING ASSEMBLY, SHIFT SHAFT
39	26-24590		1	OIL SEAL, SHIFT SHAFT BUSHING (LOWER)
40	26-31249		1	OIL SEAL, SHIFT SHAFT BUSHING (UPPER)
41	12-31266		1	WASHER, RUBBER - SHIFT SHAFT BUSHING
42	39019		1	BASE, LOWER - REVERSE LOCKING- NOT PART OF GEAR HOUSING
43	39021		1	CAM, REVERSE LOCKING - NOT PART OF GEAR HOUSING
44	45-74855A1		1	DRIVE SHAFT ASSEMBLY (SHORT SHAFT)
	45-74854A1		1	DRIVE SHAFT ASSEMBLY (LONG SHAFT)
45	24-20254		1	SPRING, COMPRESSION - DRIVE SHAFT
46	17-30545		1	PIN, DRIVE SHAFT
47	23-60242		1	SLEEVE, LUBRICATION - DRIVE SHAFT
48	15-20929A1		AR	SHIM, BEARING TO GEAR HOUSING (.002-3-5-10)
49	31-38146A1		1	ROLLER BEARING ASSEMBLY, TAPERED - DRIVE SHAFT
-	A-46-73640A2		0	WATER PUMP KIT
-	C-26-79831A1		0	SEAL KIT
-	A-27-76589A77		0	GASKET SET
-	A-27-76589A78		0	GASKET SET
-	A-27-76589A79		0	GASKET SET

THE ENCLOSED GEAR HOUSINGS INCLUDE ALL PARTS FROM REFERENCE #1 THRU #75 AS LISTED UNDER GEAR HOUSING ASSEMBLY COMPLETE, SERIAL GROUP 3

● = COMPONENT OF [27-76589A77] GASKET SET

■ = CONTENTS OF [27-76589A78] GASKET SET

GEAR HOUSING ASSEMBLY, COMPLETE (SERIAL GROUP NO. 3)(PAGE 2)



GEAR HOUSING ASSEMBLY, COMPLETE (SERIAL GROUP NO. 3)(PAGE 2)

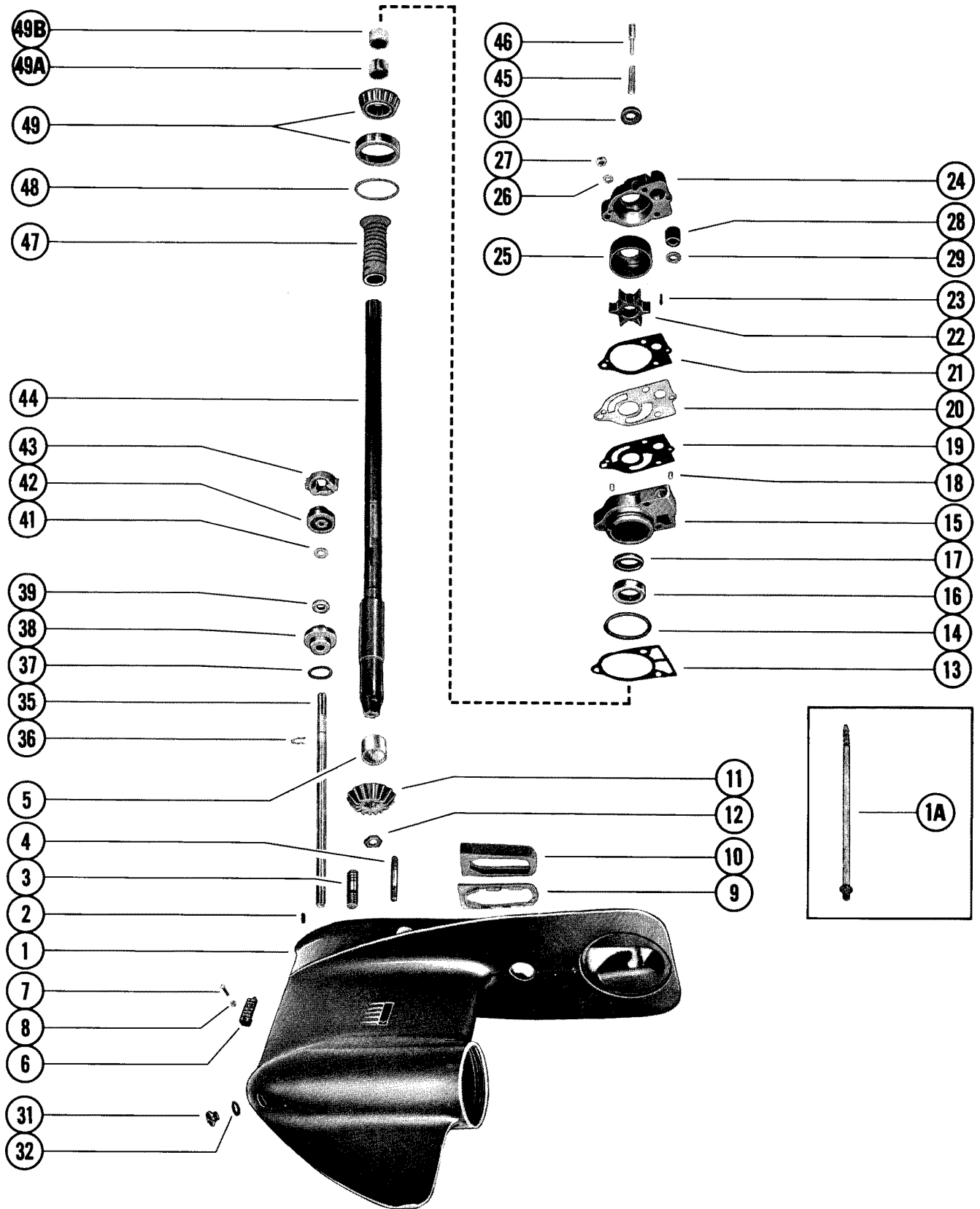
REF. NO.	PART NO.	SYM.	QTY.	DESCRIPTION
-	1643-6038A19		1	GEAR HOUSING ASSEMBLY, COMPLETE (SHORT SHAFT) SEE NOTE
-	1643-6038A20		1	GEAR HOUSING ASSEMBLY, COMPLETE (LONG SHAFT) SEE NOTE
1	1643-6038A6		1	GEAR HOUSING ASSEMBLY (SEE F6 FOR BREAKDOWN)
50	54346		1	CAM, SHIFT
51	38441		1	FOLLOWER, CAM
52	20843		1	SLIDE, CROSS PIN
53	24-39845		1	SPRING, COMPRESSION - CAM FOLLOWER
54	15-38374A1		AR	SHIM, BEARING CUP TO GEAR HOUSING (.002-3-5-10)
55	31-38356A1		1	TAPERED ROLLER BEARING ASSEMBLY
56	31-21739		1	BEARING, ROLLER - FORWARD GEAR
57	43-60247		1	FORWARD GEAR
58	52-47586		1	RATCHET, SLIDING CLUTCH
59	17-38113		1	PIN, CROSS - RATCHET TO PROPELLER SHAFT
60	24-38114		1	SPRING, RETAINING - CROSS PIN
61	44-75365		1	SHAFT, PROPELLER
62	43-66555		1	REVERSE GEAR
63	15-20927A1		AR	SHIM, THRUST WASHER TO GEAR HOUSING (.002-3-5-10)
64	12-32004		1	WASHER, THRUST - REVERSE GEAR
65	30-20839		1	BEARING, BALL - REVERSE GEAR
66	25-31986	●■	1	"O" RING, BEARING CARRIER
67	69386A1		1	BEARING CARRIER ASSEMBLY
68	31-21700		1	BEARING, ROLLER - BEARING CARRIER
69	26-69188		1	OIL SEAL, BEARING CARRIER
70	26-69189		1	OIL SEAL, BEARING CARRIER - LINE CUTTER
71	28-30281		1	KEY, LOCATING- BEARING CARRIER
72	14-53012		1	TAB WASHER, GEAR HOUSING COVER
73	53013		1	COVER, GEAR HOUSING
74	31640A1		1	TRIM TAB ASSEMBLY, GEAR HOUSING
75	10-66024		1	SCREW, TRIM TAB TO GEAR HOUSING (1 3/4")
76	12-45175		1	WASHER, DRIVE SHAFT HOUSING STUD (3/8")
77	11-34863		1	NUT DRIVE SHAFT HOUSING TO GEAR HOUSING (3/8")
78	12-65791		1	WASHER, DRIVE SHAFT HOUSING STUD (7/16")
79	11-34933		1	NUT DRIVE SHAFT HOUSING TO GEAR HOUSING (7/16")
80	73345		1	THRUST HUB, PROPELLER
81	14-76281		1	TAB WASHER, PROPELLER
82	11-69578		1	NUT, PROPELLER
-	A-27-76589A77		0	GASKET SET
-	A-28-76589A78		0	GASKET SET

THE ENCLOSED GEAR HOUSINGS INCLUDE ALL PARTS FROM REFERENCE #1 THRU #75 AS LISTED UNDER "GEAR HOUSING ASSEMBLY, COMPLETE SERIAL GROUP 3"

● = COMPONENT OF [27-76589A77] GASKET SET

■ = CONTENTS OF [27-76589A78] GASKET SET

GEAR HOUSING ASSEMBLY, COMPLETE (SERIAL GROUP NO. 4)(PAGE 1)



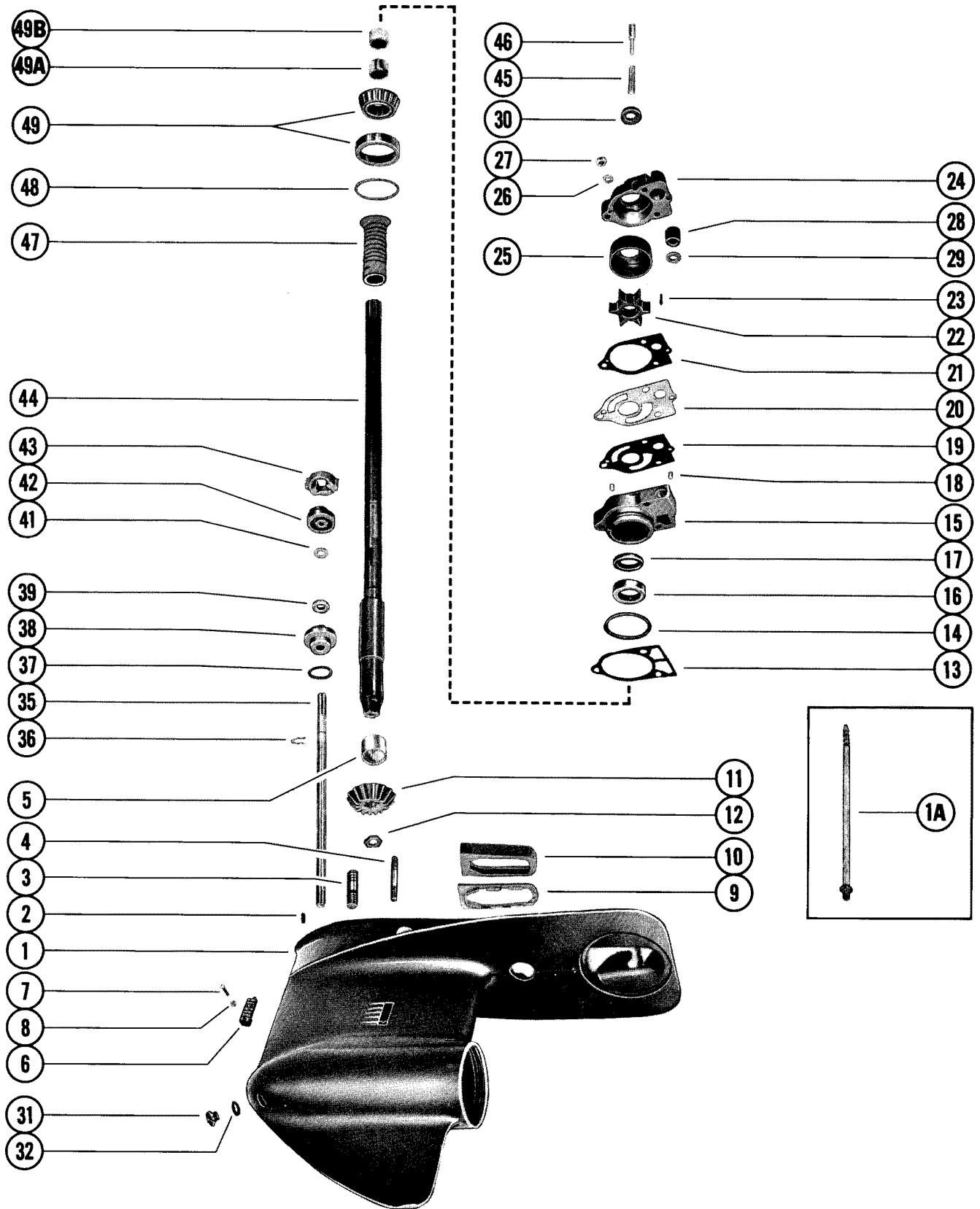
GEAR HOUSING ASSEMBLY, COMPLETE (SERIAL GROUP NO. 4)(PAGE 1)

REF. NO.	PART NO.	SYM.	QTY.	DESCRIPTION
-	1643-6459A4		1	GEAR HOUSING ASSEMBLY COMPLETE (SHORT SHAFT) UNITED STATES 4977157 THRU 5128279 AUSTRALIA 8050200 THRU 8056219 BELGIUM 9196961 THRU 9207525 CANADA 7110998 THRU 7129887
-	1643-6459A5		1	GEAR HOUSING ASSEMBLY COMPLETE (LONG SHAFT) UNITED STATES 4977157 THRU 5128279 AUSTRALIA 8050200 THRU 8056219 BELGIUM 9196961 THRU 9207525 CANADA 7110998 THRU 7129887
-	1643-7406A17		1	GEAR HOUSING ASSEMBLY COMPLETE (SHORT SHAFT) UNITED STATES 5128280 AND UP AUSTRALIA 8056220 AND UP BELGIUM 9207526 AND UP CANADA 7129888 AND UP
-	1643-7406A18		1	GEAR HOUSING ASSEMBLY COMPLETE (LONG SHAFT) UNITED STATES 5128280 AND UP AUSTRALIA 8056220 AND UP BELGIUM 9207526 AND UP CANADA 7129888 AND UP
1	1643-6459A3		1	GEAR HOUSING ASSEMBLY UNITED STATES 4977157 THRU 5128279 AUSTRALIA 8050200 THRU 8056219 BELGIUM 9196961 THRU 9207525 CANADA 7110998 THRU 7129887
	1643-7406A16		1	GEAR HOUSING ASSEMBLY UNITED STATES 5128280 AND UP AUSTRALIA 8056220 AND UP BELGIUM 9207526 AND UP CANADA 7129888 AND UP
1A	22-85822A1		1	CONNECTOR ASSEMBLY, SPEEDOMETER UNITED STATES 5128280 AND UP AUSTRALIA 8056220 AND UP BELGIUM 9207526 AND UP CANADA 7129888 AND UP
2	17-46912		2	PIN, DOWEL- GEAR HOUSING
3	16-33778		3	STUD WATER PUMP BODY/BASE TO GEAR HSG. (2 5/8")
4	16-57933		2	STUD, GEAR HOUSING TO DRIVE SHAFT HOUSING
5	31-62091		1	BEARING, ROLLER - DRIVE SHAFT
6	72849A1		1	SCREEN ASSEMBLY PORT AND STARBOARD (SHORT SHAFT)
	63850		1	SCREEN WATER INTAKE - STARBOARD- LONG SHAFT
	63851		1	SCREEN WATER INTAKE - PORT - LONG SHAFT
7	10-36070		1	SCREW WATER INTAKE SCREEN TO GEAR HOUSING
8	11-45812		1	NUT WATER INTAKE SCREEN SCREW
9	38071		1	PLATE, SUPPORT - EXHAUST TUBE
10	37721	■ ■	1	SEAL, EXHAUST TUBE
11	43-60245		1	GEAR, PINION - DRIVE SHAFT
12	11-55910		1	NUT, PINION GEAR TO DRIVE SHAFT
13	27-77417		1	GASKET, WATER PUMP BASE TO GEAR HOUSING
14	25-20266	■	1	"O" RING, WATER PUMP BASE
15	46-77177A1		1	WATER PUMP BASE ASSEMBLY
16	26-79831		1	OIL SEAL, WATER PUMP BASE
17	26-23300		1	OIL SEAL, WATER PUMP BASE
18	17-35973		2	DOWEL PIN WATER PUMP BASE TO WATER PUMP BODY

■ = CONTENTS OF [27-76589A78] GASKET SET
 ■ = CONTENTS OF [27-76589A79] GASKET SET

CONTINUED ON NEXT PAGE ➡

GEAR HOUSING ASSEMBLY, COMPLETE (SERIAL GROUP NO. 4)(PAGE 1)



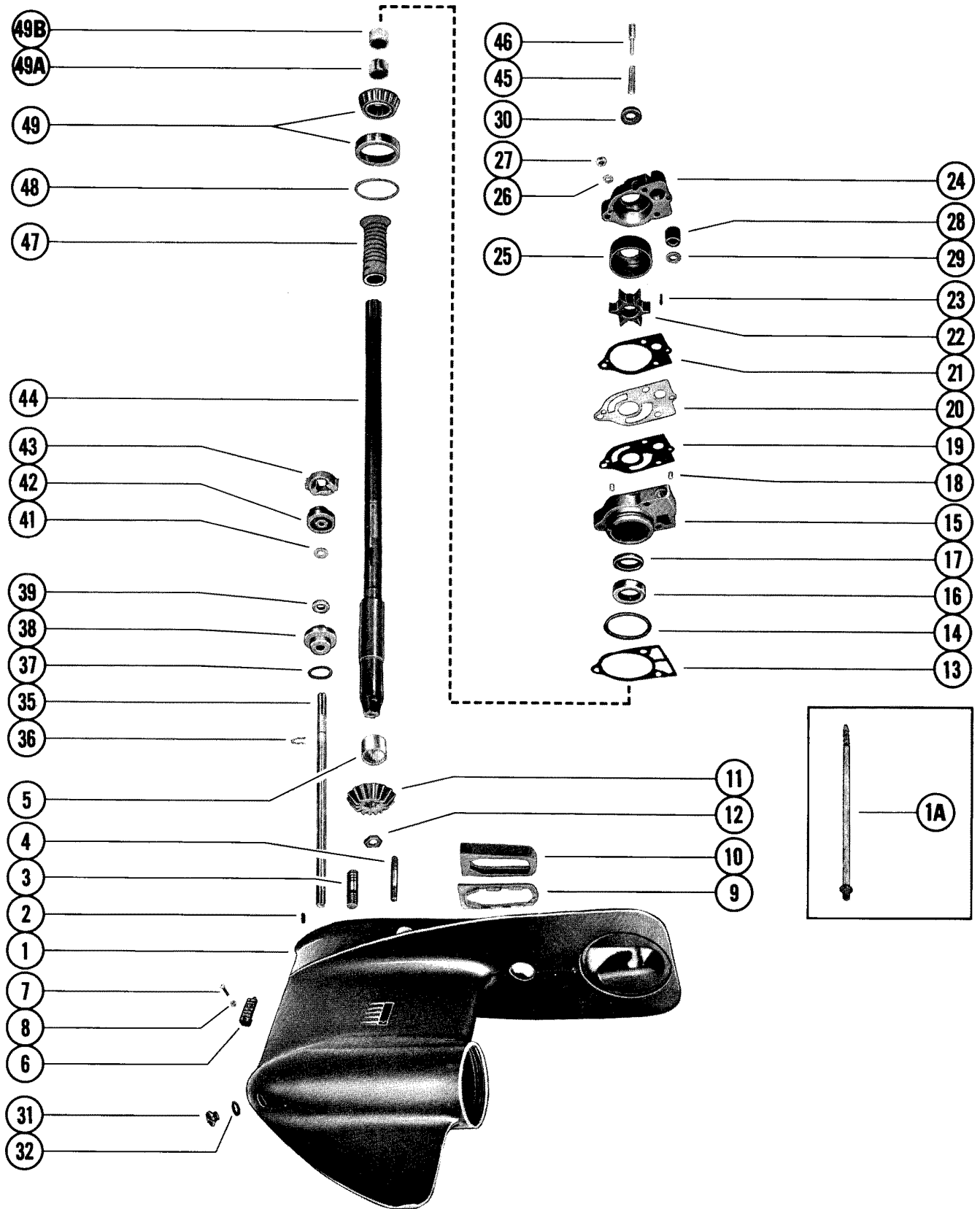
GEAR HOUSING ASSEMBLY, COMPLETE (SERIAL GROUP NO. 4)(PAGE 1)

REF. NO.	PART NO.	SYM.	QTY.	DESCRIPTION
19	27-32769	■ ■	1	GASKET, LOWER WATER PUMP BASTE TO FACE PLATE
20	54705		1	PLATE, FACE WATER PUMP BASE TO WATER PUMP BODY
21	27-32770	■ ■	1	GAKSET, UPPER FACE PLATE TO WATER PUMP BODY
22	47-65959		1	IMPELLER, WATER PUMP
23	28-56662		1	KEY, IMPELLER DRIVE
24	46-77822A1		1	WATER PUMP BODY ASSEMBLY
25	48753		1	INSERT, WATER PUMP BODY
26	12-29245		3	WASHER, WATER PUMP BODY AND BASE STUDS
27	11-35888		3	NUT, WATER PUMP BODY AND BASE STUDS
28	26-38452	■ ■	1	SEAL, RUBBER WATER INLET TUBE (WATER PUMP BODY)
29	12-38453		1	WASHER, NYLON - WATER PUMP BODY
30	25-20273	■ ■	1	RING, RUBBER CENTRIFUGAL SLINGER (DRIVE SHAFT)
31	10-79953		1	SCREW, GREASE FILLER
	22-67892		1	SCREW, DRAIN (MAGNETIC)
32	12-20260		2	WASHER, GREASE FILLER AND DRAIN SCREW
35	76063A1		1	SHAFT ASSEMBLY, SHIFT - LOWER
36	53-29641		1	CLIP, REATAING - SHIFT SHAFT
37	25-25439	■ ■	1	"O" RING, SHIFT SHAFT BUSHING
38	23-77631A2		1	BUSHING ASSEMBLY, SHIFT SHAFT
39	26-76384		1	OIL SEAL, SHIFT SHAFT BUSHING
41	12-77674		1	WASHER, RUBBER- SHIFT SHAFT BUSHING
42	78036		1	BASE LOWER - REVERSE LOCKING NOT PART OF GEAR HOUSING
43	39021		1	CAM REVERSE LOCKING NOT PART OF GEAR HOUSING
44	45-77394A1		1	DRIVE SHAFT ASSEMBLY (SHORT SHAFT) UNITED STATES 4977157 THRU 5128279 AUSTRALIA 8050200 THRU 8056219 BELGIUM 9196961 THRU 9207525 CANADA 7110998 THRU 7129887
	45-77393A1		1	DRIVE SHAFT ASSEMBLY (LONG SHAFT) UNITED STATES 4977157 THRU 5128279 AUSTRALIA 8050200 THRU 8056219 BELGIUM 9196961 THRU 9207525 CANADA 7110998 THRU 7129887
	45-77390A2		1	DRIVE SHAFT ASSEMBLY (SHORT SHAFT) SERIAL GROUP #7
	45-77389A2		1	DRIVE SHAFT ASSEMBLY (LONG SHAFT) SERIAL GROUP #7
45	24-20254		1	SPRING, COMPRESSION - DRIVE SHAFT
46	17-30545		1	PIN, DRIVE SHAFT
47	23-60242		1	SLEEVE, LUBRICATION - DRIVE SHAFT
48	15-77418A1		AR	SHIM, BEARING TO GEAR HOUSING (.002-3-5-10-20)
49	31-77420A1		1	ROLLER BEARING ASSEMBLY TAPERED - DRIVE SHAFT
49A	78654A1		1	SEAT ASSEMBLY, DRIVE SHAFT SPLINED NYLON SEAL SEAT ON DRIVE SHAFT

■ = CONTENTS OF [27-76589A78] GASKET SET
 ■ = CONTENTS OF [27-76589A79] GASKET SET

CONTINUED ON NEXT PAGE ➡

GEAR HOUSING ASSEMBLY, COMPLETE (SERIAL GROUP NO. 4)(PAGE 1)



GEAR HOUSING ASSEMBLY, COMPLETE (SERIAL GROUP NO. 4)(PAGE 1)

REF. NO.	PART NO.	SYM.	QTY.	DESCRIPTION
49B	86304	■ ■	1	SEAL, SPLINED - DRIVE SHAFT SPLINED NYLON SEAL SEAT ON DRIVE SHAFT
-	A-46-77177A3		0	WATER PUMP KIT
-	A-26-79831A1		0	SEAL KIT
-	A-27-76589A77		0	GASKET SET
-	A-27-76589A78		0	GASKET SET
-	A-27-76589A89		0	GASKET SET

THE ENCLOSED GEAR HOUSINGS INCLUDE ALL PARTS FROM REFERENCE #1 THRU #75 AS LISTED UNDER GEAR HOUSE ASSEMBLY COMPLETE, SERIAL GROUP 4

■ = CONTENTS OF [27-76589A78] GASKET SET

■ = CONTENTS OF [27-76589A79] GASKET SET

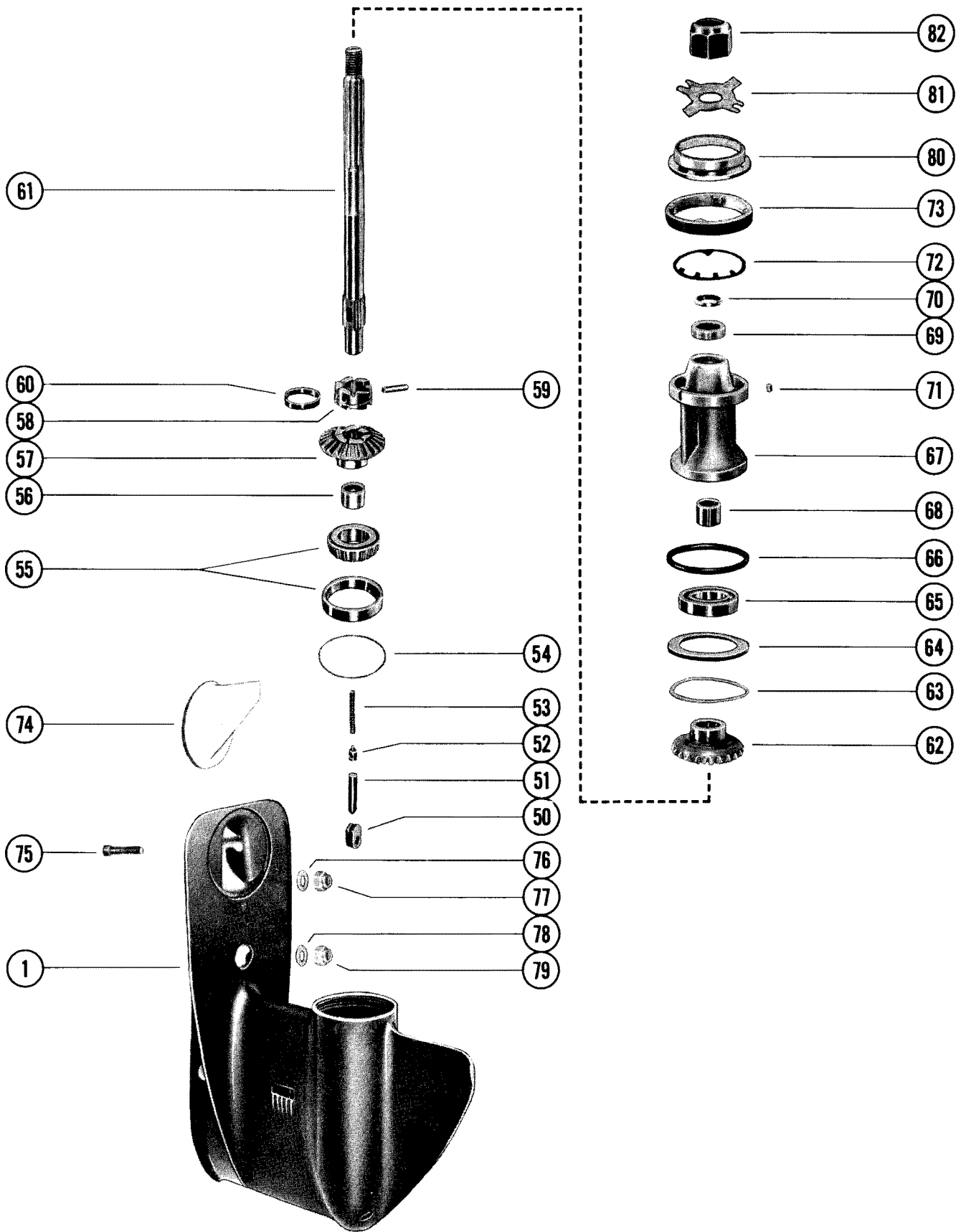
GEAR HOUSING ASSEMBLY, COMPLETE (SERIAL GROUP NO. 4)(PAGE 2)

REF. NO.	PART NO.	SYM.	QTY.	DESCRIPTION
-	1643-6459A4		1	GEAR HOUSING ASS'Y COMP. (SHORT SHAFT) SEE NOTE BELOW UNITED STATES 4977157 THRU 5128279 AUSTRALIA 8050200 THRU 8056219 BELGIUM 9196961 THRU 9207525 CANADA 7110998 THRU 7129887
-	1643-6459A5		1	GEAR HOUSING ASS'Y COMP. (LONG SHAFT) SEE NOTE BELOW UNITED STATES 4977157 THRU 5128279 AUSTRALIA 8050200 THRU 8056219 BELGIUM 9196961 THRU 9207525 CANADA 7110998 THRU 7129887
-	1643-7406A17		1	GEAR HOUSING ASS'Y COMP (SHORT SHAFT) SEE NOTE BELOW UNITED STATES 5128280 AND UP AUSTRALIA 8056220 AND UP BELGIUM 9207526 AND UP CANADA 7129888 AND UP
-	1643-7406A18		1	GEAR ASS'Y COMP. (LONG SHAFT) SEE NOTE BELOW UNITED STATES 5128280 AND UP AUSTRALIA 8056220 AND UP BELGIUM 9207526 AND UP CANADA 7129888 AND UP
1	1643-6459A3		1	GEAR HOUSING ASSEMBLY - F10 SEE F10 FOR BREAKDOWN UNITED STATES 4977157 THRU 5128279 AUSTRALIA 8050200 THRU 8056219 BELGIUM 9196961 THRU 9207525 CANADA 7110998 THRU 7129887
	1643-7406A16		1	GEARE HOUSING ASSEMBLY SEE F10 FOR BREAKDOWN UNITED STATES 5128280 AND UP AUSTRALIA 8056220 AND UP BELGIUM 9207526 AND UP CANADA 7129888 AND UP
50	54346		1	CAM, SHIFT UNITED STATES 4977157 THRU 5128279 AUSTRALIA 8050200 THRU 8056219 BELGIUM 9196961 THRU 9207525 CANADA 7110998 THRU 7129887
	76039		1	CAM, SHIFT UNITED STATES 5128280 AND UP AUSTRALIA 8056220 AND UP BELGIUM 9207526 AND UP CANADA 7129888 AND UP
51	38441		1	FOLLOWER, CAM
52	20843		1	SLIDE, CROSS
53	24-39845		1	SPRING, COMPRESSION - CAM FOLLOWER
54	15-38374A1		AR	SHIM, BEARING CUP TO GEAR HOUSING (.002-3-5-10)
55	31-38356A1		1	TAPERED ROLLER BEARING ASSEMBLY
56	31-21739		1	BEARING, ROLLER - FORWARD GEAR
57	43-60247		1	FORWARD GEAR ASSEMBLY
58	52-47586		1	RATCHET, SLIDING CLUTCH
59	17-38113		1	PIN, CROSS - RATCHET TO PROPELLER SHAFT
60	24-38114		1	SPRING, RETAINING - CROSS PIN
61	44-75365		1	SHAFT, PROPELLER
62	43-79159A1		1	REVERSE GEAR ASSEMBLY
64	12-32004		1	WASHER, THRUST - REVERSE GEAR
65	30-20839		1	BEARING, BALL - REVERSE GEAR
66	25-31986	■ ■	1	"O" RING, BEARING CARRIER
67	69386A1		1	BEARING CARRIER ASSEMBLY
68	31-21700		1	BEARING, ROLLER - BEARING CARRIER
69	26-69188		1	OIL SEAL, BEARING CARRIER

■ = CONTENTS OF [27-76589A78] GASKET SET
 ■ = CONTENTS OF [27-76589A79] GASKET SET

CONTINUED ON NEXT PAGE ➡

GEAR HOUSING ASSEMBLY, COMPLETE (SERIAL GROUP NO. 4)(PAGE 2)



GEAR HOUSING ASSEMBLY, COMPLETE (SERIAL GROUP NO. 4)(PAGE 2)

REF. NO.	PART NO.	SYM.	QTY.	DESCRIPTION
70	26-69189		1	OIL SEAL, BEARING CARRIER
71	38-30281		1	KEY, LOCATING - BEARING CARRIER
72	14-53012		1	TAB WASHER, GEAR HOUSING COVER
73	53013		1	COVER, GEAR HOUSING
74	31640A1		1	TRIM TAB ASSEMBLY, GEAR HOUSING
75	10-66024		1	SCREW, TRIM TAB TO GEAR HOUSING
76	12-45175		1	WASHER DRIVE SHAFT HOUSING STUD (3/8')
77	11-34863		1	NUT DRIVE SHAFT HOUSING STUD (3/8")
78	12-65791		1	WASHER DRIVE SHAFT HOUSING GEAR HOUSING STUD (7/16")
79	11-34933		1	NUT, DRIVE SHAFT HOUSING TO GEAR STUD (7/16")
80	73345		1	THRUST HUB, FRONT
81	14-76281		1	TAB WASHER, PROPELLER
82	11-69578		1	NUT, PROPELLER

THE ENCLOSED GEAR HOUSINGS INCLUDE ALL PARTS FROM REFERENCE #1 THRU #75 UNDER GEAR HOUSING ASSEMBLY COMPLETE, SERIAL GROUP 4

SERIAL GROUP CHART

SERIAL GROUP CHART

SERIAL GROUP #1

United States 4825248 and below
Australia 8049849 and below
Belgium 9176875 and below
Canada 7110247 and below

SERIAL GROUP #2

United States 4825249 and up
Australia 8049850 and up
Belgium 9176876 and up
Canada 7110248 and up

SERIAL GROUP #3

United States 4977156 and below
Australia 8050199 and below
Belgium 9196960 and below
Canada 7110997 and below

SERIAL GROUP #4

United States 4977157 and up
Australia 8050200 and up
Belgium 9196961 and up

SERIAL GROUP #5

United States 4825249 thru 4977156
Australia 8049850 thru 8050199
Belgium 9176876 thru 9196960
Canada 7110248 thru 9110997

SERIAL GROUP #6

United States 5128279 and below
Australia 8056219 and below
Belgium 9207525 and below
Canada 7110997 and below

SERIAL GROUP #7

United States 5128280 and up
Australia 8056220 and up
Belgium 9207526 and up

SERIAL GROUP #8

United States 4825249 thru 5128279
Australia 8049850 thru 8056219
Belgium 9176876 thru 9207525
Canada 7110248 thru 7110997

SERIAL GROUP #9

United States 4977157 thru 5128279
Australia 8050200 thru 8056219
Belgium 9196961 thru 9207525

SERIAL GROUP #10

United States 5285533 and below
Australia 8059594 and below
Belgium 9225255 and below
Canada 7129887 and below

SERIAL GROUP #11

United States 5285534 and up
Australia 8059595 and up
Belgium 9225256 and up
Canada 7129888 and up

SERIAL GROUP CHART

THIS PAGE INTENTIONALLY LEFT BLANK

PROPELLERS (RIGHT HAND ROTATION)

REF. NO.	PART NO.	SYM.	QTY.	DESCRIPTION
-	A-48-73132A4		0	PROPELLER ASSEMBLY (ALUMINUM)(PITCH 10") 3 BLADES
-	A-48-73134A4		0	PROPELLER ASSEMBLY (ALUMINUM)(PITCH 12") 3 BLADES
-	A-48-73136A4		0	PROPELLER ASSEMBLY (ALUMINUM)(PITCH 13") 3 BLADES
-	A-48-73138A4		0	PROPELLER ASSEMBLY (ALUMINUM)(PITCH 14") 3 BLADES
-	A-48-73140A4		0	PROPELLER ASSEMBLY (ALUMINUM)(PITCH 15") 3 BLADES
-	A-48-73144A4		0	PROPELLER ASSEMBLY (ALUMINUM)(PITCH 17") 3 BLADES

PARTS INDEX

Part Number	Description	Pg.	Ref. No.	Part Number	Description	Pg.	Ref. No.
20843	SLIDE, CROSS	67	52	46933A6	WIRE ASSEMBLY, SWITCH		
20843	SLIDE, CROSS PIN	59	52		BOX SCREW	9	13
22833	ADAPTOR, CHECK UNIT (FUEL PUMP)	23	21	47341A1	STARTER ROPE ASSEMBLY	3	26
23004	RETAINER, CHECK VALVE	23	6	47802	TUBE, TILT LOCK	45	24
23069	STEM, CHECK UNIT			47835	ROD, PUSH-REVERSE LOCK(SHORT SHAFT)	49	7
	ADAPTOR	23	22	47836	ROD, PUSH-REVERSE LOCK (LONG SHAFT)	49	7
24929	PACKING, "U" CUP-UPPER MOUNT COVERS	51	26	47837	ROD END, PUSH ROD	49	9
24935	COVER, UPPER MOUNT-OUTSIDE HALF	51	27	48039	CAP, SPARK ADVANCE ADJUSTING SCREW	13	24
26113	RACE, OUTER(PAIR)	35	16	48753	INSERT, WATER PUMP BODY	55	25
26901	STOP, RUBBER-RAR SUPPORT BRACKET	5	14	48753	INSERT, WATER PUMP BODY	63	25
30188	CUP WASHER, ADAPTOR	23	25	49651A1	GROUND STRAP ASS"Y	41	35
30711	BUMPER, STEERING ARM	45	29	52023	CAP, ADJUSTING SCREW	13	15
31120	COVER, UPPER MOUNT-INSIDE HALF	51	28	52023	CAP, ADJUSTING SCREW	13	27
31640A1	TRIM TAB ASSEMBLY, GEAR HOUSING	59	74	52100	WEAR PLATE, NYLON-LINK	39	5
31640A1	TRIM TAB ASSEMBLY, GEAR HOUSING	69	74	53013	COVER, GEAR HOUSING	59	73
35474	COVER, LOWER MOUNT CLAMP	49	13	53013	COVER, GEAR HOUSING	69	73
37721	SEAL, EXHAUST TUBE	55	10	53078	CAP, PLASTIC-TILT TUBE	43	7
37721	SEAL, EXHAUST TUBE	61	10	53665	INSERT, THROTTLE SHAFT COUPLING	17	18
37896	GUIDE BLOCK, LINK	39	4	54346	CAM, SHIFT	59	50
38071	PLATE, SUPPORT - EXHAUST TUBE	61	9	54346	CAM, SHIFT	67	50
38071	PLATE, SUPPORT - EXHAUST TUBE SEAL	55	9	54705	PLATE, FACE	63	20
38154	STRIP, RETAINING-TRIM COVER SEAL (SIDE)	53	42	54705	PLATE, FACE - WATER PUMP BASE TO WATER PUMP BODY	55	20
38157	SEAL, TRIM COVER TO DRIVE SHAFT HOUSING	53	41	55278A3	DIAPHRAM KIT	23	3
38158	STRIP, RETAINING-TRIM COVER SEAL (REAR)	53	43	56074A2	PLUNGER ASSEMBLY, CHOKE SOLENOID	17	6
38279	LATCH, LINK TO ANCHOR BRACKET	39	6	56349	SHAFT, REVERSE LOCK PIVOT	45	38
38441	FOLLOWER, CAM	59	51	56703	COLLAR, RUBBER-STARTER MOUNT	15	20
38441	FOLLOWER, CAM	67	51	57247	STOP, RUBBER-STARTER MOTOR	15	14
38500	RETAINER, WATER INLET TUBE SEAL	41	26	58908	BRACKET, ANDCHOR-CONTROL CABLES	39	1
39019	BASE, LOWER - REVERSE LOCKING- NOT PART OF GEAR HOUSING	57	42	59071	COVER, FILTER	25	34
39021	CAM	63	43	60114A1	BRACKER ASSEMBLY, WIRING HARNESS	15	27
39021	CAM, REVERSE LOCKING - NOT PART OF GEAR HOUSING	57	43	60116	BRACE, REAR COWL SUPPORT BRACKET (TOP)	5	15
39483	LATCH	13	28	60283A1	LINK ASSEMBLY	39	2
39519	CUP, RETAINER-ANCHOR BRACKET	39	14	60292A1	COUPLING ASSEMBLY	17	17
39618	LEVER, LYLON-SHIFT CABLE LOCKING	39	15	60306	STRIP, RETAINING-EXHAUST PLATE SEAL	41	32
39667	COVER, NYLON-SHIFT CALBE	39	18	60307	SEAL EXHAUST PLATE	41	31
46265	BOOT, TERMINAL-STARTER SOLENOID	15	10	60549A3	CHOKE SOLENOID	17	1
46785A2	COWL LATCH ASSEMBLY	3	14	60570	PLATE, RETAINER-ACTUATOR HOUSING	13	5
				60834A3	CARRIER ASSEMBLY, "O"RING-METAL SEAL CARRIER PRESSED IN CRAN	35	4

PARTS INDEX

Part Number	Description	Pg.	Ref. No.	Part Number	Description	Pg.	Ref. No.
61990	STA-STRAP, MERCURY SWITCH LEAD	33	29	69876--1	SEAL, REAR BRACKET	3	6
62351A1	RECTIFIER ASSEMBLY	15	1	69876--1	SEAL, REAR BRACKET AND TOP BRACKET	5	10
62444	SEAL	5	2	70691	REVERSE LOCK	45	36
62627	BAR, ADJUSTMENT-COWL LATCH	3	17	71090	SEAL, CARBURETOR PLATE	17	22
62628	BARRELL, COWL LATCH	3	15	71097	BRACKET, RUBBER MOUNT	5	20
62629	BARREL, COWL LATCH	3	18	72849A1	SCREEN ASSEMBLY	61	6
63007	MOUNT	5	11	72849A1	SCREEN ASSEMBLY, PORT AND STARBOARD (SHORT SHAFT)	55	6
63007	MOUNT	5	17	73156	SEAL, WATER INLET TUBE	41	24
63007	MOUNT	41	34	73218	COVER, IGNITION COIL	9	20
63007	MOUNT, RUBBER-FRONT SUPPORT TO STARTER MOTOR COVER	5	34	73345	THRUST HUB, FRONT	69	80
63850	SCREEN	61	6	73345	THRUST HUB, PROPELLER	59	80
63850	SCREEN WATER INTAKE-STARBOARD (LONG SHAFT)	55	6	73439	PLATE, MOUNTING-IGNITION COIL	9	17
63851	SCREEN	61	6	73627	PLATE, SWITCH BOX	9	7
63851	SCREEN, WATER INTAKE-PORT (LONG SHAFT)	55	6	73641A1	BRACKET, COWL SUPPORT-TOP	5	1
64254	"O"RING, CARRIER	35	5	73755A1	CHOKE KNOB ASSEMBLY	17	8
64877	DIAPHRAM, POPPET RELIEF	31	6	73986	AIR MANIFOLD	5	30
65409	POPPET, RELIEF VALVE	31	4	74164	ROD, LINK-THRITTLE	13	7
65799	LINK, LOCKING LEVER TO COVER	39	17	74212	ROD, LINK-SPARK ADVANCE	13	33
65848	CARRIER, GROMMET	31	2	74214	COVER, EXHAUST MANIFOLD	33	22
66517	RESTRICTOR, CRANKCASE BLEED	27	1A	74510A2	BRACKET, COWL SUPPORT - REAR	5	9
66850	THERMOSTAT	31	19	74528	TUBE, TILT-CLAMP BRACKET TO SWIVEL BRACKET	43	4
68162A6	TRIGGER PLATE ASSEMBLY	9	24	74897	BARREL, LINK ROD TO STATOR	13	32
69205	"C"WASHER, BLEED HOSE CLIP	33	35	75043	CAP	43	3
69386A1	BEARING CARRIER ASSEMBLY	59	67	75043	CAP, THUMB SCREW	43	3
69386A1	BEARING CARRIER ASSEMBLY	67	67	75105	GUIDE, PUSH ROD	49	12
69540A1	SWIVEL PIN AND STEERING ARM ASSEMBLY	45	28	75165	BLANKET, SOUND ABSORBING	3	23
69540A3	SWIVEL PIN AND STEERING ARM ASSEMBLY	45	28	75303	MOUNT, RUBBER-UPPER	49	25
69540A3	SWIVEL PIN AND STEERING ARM ASSEMBLY	45	28	75304	MOUNT, RUBBER-LOWER	49	19
69540A4	SWIVEL PIN AND STEERING ARM ASSEMBLY	45	28	75355A20	SHIFT SHAFT ASSEMBLY, UPPER (SHORT SHAFT)	39	9
69543	TUBE, EXHAUST(SHORT SHAFT)	53	38	75355A22	SHIFT SHAFT ASSEMBLY, UPPER (LONG SHAFT)	39	9
69544	TUBE, EXHAUST(LONG SHAFT)	53	38	75355A30	SHIFT SHAFT ASSEMBLY, UPPER (SHORT SHAFT)	39	9
69555	NOZZLE, TELL TALE-REAR SUPPORT BRACKET	23	14	75355A32	SHIFT SHAFT ASSEMBLY, UPPER (LONG SHAFT)	39	9
69555	NOZZLE, TELLTALE-REAR SUPORT BRACKET	29	33	75805	CAP,HINGE BRACKET SCREW (UPPER)	3	8A
69566	BRACKET, COWL SEALING-REAR	3	5	75841	COVER, MANUAL CHOKE	5	27
69568	BRACKET, COWL HINGE	3	7	76039	CAM, SHIFT	67	50
69579	PLATE, BAFFLE-EXHAST MANIFOLD	31	18	76063A1	SHAFT ASSEMBLY, SHIFT - LOWER	57	35
69592	CLAMP, LOWER MOUNT TO DRIVE SHAFT HOUSING	49	16	76063A1	SHAFT ASSEMBLY, SHIFT - LOWER	63	35
				76076A1	CHOKE ROD	17	7
				76221	BASE, FUEL FILTER AND COVER	25	29

PARTS INDEX

Part Number	Description	Pg.	Ref. No.	Part Number	Description	Pg.	Ref. No.
76263	CLIP, TOP COWL SUPPORT BRACKET	5	3	79659	CIOUPLING, TILT LOCK	45	24A
76264	LATCH, FRONT COVER ATTACHING	7	48	79660	SEAL, BELLOWS-UPPER MOUNT	51	26
76385	TILT LOCK, PORT	45	23	79680	COVER, UPPER MOUNT-OUTSIDE HALF	51	27
76386	TILT LOVK, STARBOARD	45	22	79681	COVER, UPPER MOUNT-INSIDE HALF	51	28
76410	SEAL, FUEL CONNECTOR-SOUND ATTENUATOR	7	38	79735A1	COVER, STARTER MOTOR TO CRANKCASE (TOP)	27	11
76430	YOKE, BOTTOM	45	33	79736	INDICATOR, TIMING	29	18
76575A2	FUEL PUMP ASSEMBLY	23	1	79799	HOUSING, WATER INLET TUBE SEAL	41	28
76577	ATTENUATOR, SOUND	5	22	86304	SEAL, SPLINED - DRIVE SHAFT	65	49B
76578	COVER, SOUND ATTENUATOR (FRONT)	7	42	A-26-79831A1	SEAL KIT	65	-
76580	SHIELD, FLYWHEEL	5	6	A-27-76589A77	GASKET SET	7	-
76588A3	EXHAUST PLATE ASSEMBLY	39	21	A-27-76589A77	GASKET SET	33	-
76617	INDICATOR, TIMING	27	18	A-27-76589A77	GASKET SET	37	-
76807A1	COVER ASSEMBLY, TRANSFER PASSAGE	31	9	A-27-76589A77	GASKET SET	57	-
76864	HOUSING, NYLON-THROTTLE ACTUATOR	13	1	A-27-76589A77	GASKET SET	59	-
76903	EXHAUST TUBE, ADAPTOR	41	40	A-27-76589A77	GASKET SET	65	-
76904A1	PLATE ASSEMBLY, CARBURETOR	17	21	A-27-76589A77	GASKET SET (MOTOR OVERHAUL)	1	-
76975	COVER, STARTER MOTOR TO CRANKCASE (BOTTOM)	27	8	A-27-76589A78	GASKET SET	7	-
77013A1	SWIVEL, LINK ROD TO SPARK ADVANCE LEVER	13	34	A-27-76589A78	GASKET SET	33	-
77013A1	SWIVEL, LINK ROD TO THROTTLE CONTROL LEVER	13	8	A-27-76589A78	GASKET SET	37	--
77025	CAM, NYLON-THROTTLE ACTUATOR	13	2	A-27-76589A78	GASKET SET	57	-
77031A2	LEVER ASSEMBLY, SPARK ADVANCE	13	20	A-27-76589A78	GASKET SET	65	-
77032A2	LEVER ASSEMBLY, THROTTLE CONTROL	13	12	A-27-76589A78	GASKET SET (MOTOR OVERHAUL)	1	-
77416	YOKE BOTTOM	45	33	A-27-76589A79	GASKET SET	33	-
77583	LEVER, THROTTLE	17	15	A-27-76589A79	GASKET SET	57	-
77636	COVER, STARTER MOTOR TO CRANKCASE (BOTTOM)	27	8	A-27-76589A79	GASKET SET (MOTOR OVERHAUL)	1	-
78036	BASE	63	42	A-27-76589A89	GASKET SET	65	-
78056A3	EXHAUST PLATE ASSEMBLY-SERIEL GROUP #5	39	21	A-28-76589A78	GASKET SET	59	-
78529	COVER, EXHAUST MANIFOLD	33	22	A-37-76584A77	DECAL SET - SERIAL GROUP #1	1	-
78654A1	SEAT ASSEMBLY, DRIVE SHAFT	63	49A	A-37-78603A78	DECAL SET - SERIAL GROUP #8	1	-
78727A3	EXHAUST PLATE ASSEMBLY	39	21	A-37-86427A79	DECAL SET - SERIAL GROUP #7	1	-
79489	ATTENUATOR, SOUND	5	22	A-46-73640A2	WATER PUMP KIT	57	-
79490	SHIELD, FLYWHEEL	5	6	A-46-77177A3	WATER PUMP KIT	65	-
79551	BLANKET, SOUND ABSORBINS	3	23	A-48-73132A4	PROPELLER ASSEMBLY (ALUMINUM)(PITCH 10")	72	-
79618A3	EXHAUST PLATE ASSEMBLY	41	21	A-48-73134A4	PROPELLER ASSEMBLY (ALUMINUM)(PITCH 12")	72	-
				A-48-73136A4	PROPELLER ASSEMBLY (ALUMINUM)(PITCH 13")	72	-
				A-48-73138A4	PROPELLER ASSEMBLY (ALUMINUM)(PITCH 14")	72	-
				A-48-73140A4	PROPELLER ASSEMBLY (ALUMINUM)(PITCH 15")	72	-
				A-48-73144A4	PROPELLER ASSEMBLY (ALUMINUM)(PITCH 17")	72	-
				C-26-79831A1	SEAL KIT	57	-
				C-90-75508	PARTS CATALOG - Service	1	-
				10-20031	SCREW, CLAMP SCREW	5	24

PARTS INDEX

Part Number	Description	Pg.	Ref. No.	Part Number	Description	Pg.	Ref. No.
10-20367	SCREW, PLATE TO CARBURETOR (7/16") . . .	17	25	10-48408	SCREW	53	44
10-22039	SCREW, CRANKCASE TO CYLINDER BLOCK (2 3/4")	27	15	10-48408	SCREW, CLIP TO TOP COWL SUPPORT (1/2") . .	5	4
10-22486	SCREW	13	29	10-48408	SCREW, SHIELD TO TOP SUPPORT BRACKET (1/2")	5	8
10-22698	SCREW	25	30	10-48408	SCREW, TELL TALE CLAMP	23	16
10-26251	SCREW, SWITCH BOX TO PLATE (13/16")	9	12	10-48408	SCREW, TELLTALE CLAMP	29	35
10-28634	SCREW, GREASE FILLER AND VENT HOLE	55	31	10-49318	SCREW, LOWER MOUNT (5 1/2")	49	20
10-28635	SCREW	7	50	10-49987	SCREW, UPPER MOUNT COVER-REAR (1 1/2") . . .	51	29
10-28636	SCREW, EXHAUST TUBE TO EXHAUST PLATE (3/4") . .	41	42	10-49988	SCREW, UPPER MOUNT COVER-FRONT (1 3/4") . .	51	30
10-28667	SCREW, CYLINDER BLOCK COVER MOUNTING (1 1/8")	31	14	10-52743	SCREW, CARBURETOR TO CRANKCASE (3 3/4")	17	14
10-28668	SCREW	41	38	10-53016	SCREW, PLATE AND MANIFOLD COVER MOUNTING (1 1/4")	33	24
10-28782	SCREW, PIN TO COWL (7/8")	3	12	10-54803	SCREW, CAP TO CONNECTING ROD (1 1/2")	35	23
10-29256	SCREW, LOWER MOUNT CLAMP TO DRIVE SHAFT HOUSING (7/8")	49	17	10-55337	SCREW	13	16
10-29722	SCREW, COVER TO LOWER MOUNT CLAMP	49	14	10-55903	SCREW	15	29
10-31312	SCREW,LATCH ASSEMBLY TO BARREL (7/8")	3	16	10-58414	SCREW, INDICATOR TO STARTER COVER	29	19
10-32417	SCREW, FLEXIBLE PLATE TO FLYWHEEL (5/8")	9	6	10-58414	SCREW, STARTER MOTOR COVER (2 1/2")	27	12
10-33524	SCREW, CHOKE SOLENOID ATTACHING (5/8")	17	4	10-59645	SCREW	9	9
10-35385	SCREW, CRANKCASE TO CYLINDER BLOCK (1 3/4")	27	13	10-59645	SCREW, BRACKET TO CRANKCASE (3/4")	5	21
10-35385	SCREW, STARTER MOTOR COVER (1 3/4")	27	12	10-60293	SCREW, LEVER TO CARBURETOR	17	16
10-35581	SCREW, PUMP MOUNTING (1 5/8")	23	8	10-60293	SCREW, ROLLED WASHER TO COUPLING	17	20
10-36070	SCREW	61	7	10-61160	SCREW, WIRING HARNESS ATTACHING (1 1/8")	15	24
10-36070	SCREW, SCREENS TO GEAR HOUSING (1 1/4") . .	55	7	10-62568	SCREW	41	33
10-37370	SCREW, FILTER COVER FASTENING (5/8")	25	35	10-62568	SCREW, BLEED HOSE CLIP	33	34
10-37571	SCREW	7	45	10-63136	SCREW, STATOR TO UPPER END CAP (7/8")	9	23
10-37571	SCREW, HOUSING TO CRANKCASE (1/2")	13	3	10-66024	SCREW, TRIM TAB TO GEAR HOUSING	69	75
10-37655	SCREW, MERCURY SWITCH TO CRANKCASE (1/2") . .	33	27	10-66024	SCREW, TRIM TAB TO GEAR HOUSING (1 3/4") . .	59	75
10-37656	SCREW, SHIELD TO TOP SUPPORT BRACKET (5/8")	5	7	10-66897	BOLT, UPPER MOUNT TO SWIVEL PIN (7/16X5 1/4")	45	30
10-38055	SCREW, COVER TO TOP COVER	5	28	10-66944	SCREW, COVER TO MOUNTING PLATE (2") . .	9	21
10-38055	SCREW, RECTIFIER TO PLATE (5/8")	15	2	10-67916	SCREW, UPPER MOUNT COVER-FRONT (2")	51	30
10-38837	SCREW	31	11	10-68298	VOLT, CLAMP BRACKET TO BAOT TRANSOM (3 1/4") . .	43	14
10-38837	SCREW, PLATE AND MANIFOLD COVER MOUNTING (1 1/8")	33	23	10-68299	BOLT	43	14
10-45561	SCREW	3	8	10-68789	SCREW, RETAINER TO HOUSING (3/8")	23	7
10-45775	SCREW, MAIN BEARING CLAMPING (9/16")	35	14	10-68918	SCREW	41	38
10-47828	SCREW, DRIVE-SWIVEL BRACKER	43	20	10-68997	SCREW, PLATE/HUB TO FLEXIBLE PLATE (3/4") . .	9	5
				10-69022	SCREW, INDICATOR TO STARTER COVER	27	19

PARTS INDEX

Part Number	Description	Pg.	Ref. No.	Part Number	Description	Pg.	Ref. No.
10-69029	SCREW, UPPER MOUNT COVER-REAF (1 3/4")	51	29	11-28770	NUT, CLAMP BRACKET STUD	43	11
10-69034	SCREW, LOWER END CAP MOUNTING (1")	29	28	11-28770	NUT, JAM-PUSH ROD	49	8
10-69035	SCREW, CABLE TO STARTER MOTOR (5/8")	15	16	11-29250	NUT	27	17
10-69054	SCREW, SOLENOID TO ATTENUATOR (3/4")	15	11	11-29598	NUT, JAM-ADJUSTING SCREW	13	14
10-69069	SCREW, RETAINER TO EXHAUST PLATE (3/4")	41	27	11-29598	NUT, JAM-ADJUSTING SCREW	13	26
10-69093	SCREW, AIR MANIFOLD TO SOUND ATTENUATOR	5	31	11-34863	NUT	59	77
10-69101	SCREW	39	19	11-34863	NUT	69	77
10-69375	SCREW	47	47	11-34933	NUT	49	6
10-69570	SCREW, FASTENING HOOK TO FRONT COVER (3/4")	3	25	11-34933	NUT	59	79
10-69594	SCREW	31	8	11-34933	NUT, DRIVE SHAFT HOUSING TO GEAR STUD (7/16")	69	79
10-70602	SCREW, PLATE/MANIFOLD COVER MOUNTING (2")	33	25	11-34933	NUT, UPPER MOUNT BOLT	51	35
10-73169	SCREW, UPPER END CAP MOUNTING (1")	29	23	11-35521	NUT, LOWER MOUNT CLAMP COVER	49	15
10-73649A1	THUMB SCREW ASSEMBLY	43	2	11-35888	NUT, WATER PUMP BODY AND BASE STUDS	63	27
10-73655	SCREW, ADJUSTING-THROTTLE LEVER (2")	13	13	11-36069	NUT	5	19
10-73656	SCREW, SPARK ADVANCE ADJUSTING (1 1/2")	13	22	11-36069	NUT, LINK ATTACHING	39	8
10-73657	SCREW, CRANKCASE TO CYLINDER BLOCK (1 1/2")	27	14	11-36069	NUT, RUBBER MOUNT ATTACHING	7	37
10-73657	SCREW, STARTER MOTOR COVER (1 1/2")	27	12	11-36069	NUT, UPPER MOUNT COVER SCREW	51	31
10-75794	SCREW	3	8	11-45076	NUT, WATER PUMP BODY AND BASE STUDS	55	27
10-76596	SCREW	5	16	11-45076	NUT, IGNITION COIL TERMINAL	9	19
10-76596	SCREW, ADAPTOR TO SUND ATTENUATOR (1 1/4")	25	26	11-45076	NUT, RECTIFIER TERMINAL	15	4
10-77065	SCREW, STARTER MOTOR COVER (2")	27	12	11-45774	NUT, SWITCH BOX TERMINAL	9	14
10-77065	SCREW, STARTER MOTOR COVER (2")	27	9	11-45774	NUT, LINK ROD SWIVEL	13	11
10-77137	SCREW, WIRE TO CHOKE KNOB	17	9	11-45812	NUT, MAIN BEARING SCREW CLAMPING	35	15
10-77280	SCREW, REED STOP MOUNTING (9/16")	35	12	11-45812	NUT	61	8
10-77650	SCREW	13	25	11-45812	NUT, ADJUSTMENT BAR TO BARREL	3	21
10-78492A1	THUMB SCREW ASSEMBLY	43	2	11-45812	NUT, SCREEN TO GEAR HOUSING SCREW	55	8
10-78495	SCREW	43	2A	11-46793	NUT, CHOKE SOLENOID ATTACHING SCREWS	17	5
10-79798	SCREW, HOUSING TO EXHAUST PLATE GROUP #7	41	30	11-46887	NUT	5	13
10-79953	SCREW, GREASE FILLER	63	31	11-49091	NUT, CONNECTING ROD SCREW	35	24
10-87302	BOLT	43	14	11-52901	NUT, FLYWHEEL	9	1
11-20110	NUT, REED STOP MOUNTING SCREW	35	13	11-55910	NUT, PINION GEAR TO DRIVE SHAFT	55	12
11-20361	NUT, RUBBER MOUNT TO EXHAUST PLATE	41	37	11-55910	NUT, PINION GEAR TO DRIVE SHAFT	61	12
11-20586	NUT, LATCH ATTACHING SCREW	13	31	11-56041	NUT, TILT TUBE FASTENING	43	6
11-20890	NUT, STARTER MOTOR TERMINAL	15	19	11-64809	NUT	53	37
				11-68219	NUT, HARNESS LEAD TO SOLENOID ATTACHING	17	3
				11-68219	NUT, SOLENOID TERMINAL (#10)	15	7
				11-68219	NUT, SPARK ADVANTAGE ADJUSTING SCREW	13	23

PARTS INDEX

Part Number	Description	Pg.	Ref. No.	Part Number	Description	Pg.	Ref. No.
11-68411	NUT, CLAMP BRACKET			12-45175	WASHER	69	76
	BOLT	43	16	12-45175	WASHER, DRIVE SHAFT		
11-69431	NUT, UPPER MOUNT				HOUSING STUD (3/8")	59	76
	COVER SCREW	51	31	12-47247	WASHER, NEEDLE		
11-69578	NUT, PROPELLER	59	82		LOCATING	35	27
11-69578	NUT, PROPELLER	69	82	12-52864	WASHER, CLAMP BRACKET		
11-71956	NUT, BOTTOM YOKE				TILT TUBE	43	5
	RETAINING	45	34	12-56681	WASHER, COVER SCREW	5	29
12-20260	WASHER, GREASE FILLER			12-56720	WASHER, SWITCH BOX		
	AND DRAIN SCREW	63	32		PLATE SCREW	9	10
12-20260	WASHER, GREASE FILLER			12-59378	WASHER, LOWER BUSHING		
	AND VENT HOLE SCREW	55	32		RETAINER (INNER)	45	42
12-20346	WASHER	5	12	12-61709	WASHER, LOWER MOUNT		
12-20346	WASHER, RUBBER MOUNT				SCREW	49	23
	ATTACHING	41	36	12-64444	WASHER, ROLLED-		
12-21631	WASHER, LINK LATCH	39	7		COUPLING	17	19
12-25176	WASHER, SWIVEL PIN TO			12-65791	WASHER	49	5
	BOTTOM YOKE (.062)	45	32	12-65791	WASHER	69	78
12-26020	WASHER	27	16	12-65791	WASHER, DRIVE SHAFT		
12-26837	WASHER, SWIVEL PIN TO				HOUSING STUD (7/16")	59	78
	BOTTOM YOKE (.065)	45	32	12-66966	WASHER, RUBBER-UPPER		
12-27727	WASHER, UPPER MOUNT				MOUNT BOLT	51	33
	BOLT (4/16 ID)	51	32	12-68229	WASHER, FLYWHEEL NUT	9	2
12-28051	WASHER, LOWER MOUNT			12-68300	WASHER, CLAMP BRACKET		
	SCREW	49	21		BOLT	43	15
12-28053	WASHER, RUBBER - LOWER			12-68410	WASHER, CLAMP BRACKET		
	MOUNT SCREW	49	22		BOLT	43	15
12-28420	WASHER	43	15	12-68410	WASHER, THROTTL		
12-29245	WASHER, UPPER MOUNT				CONTROL LEVER SCREW	13	21
	COVER SCREW	51	30A	12-69374	WASHER	47	46
12-29245	WASHER, WATER PUMP			12-72232	WASHER, INDICATOR		
	BODY AND BASE STUDS	55	26		SCREW	29	19A
12-29245	WASHER, WATER PUMP			12-75806	WASHER, HINGE BRACKET		
	BODY AND BASE STUDS	63	26		SCREW (UPPER)	3	10
12-30164	WASHER, ADJUSTMENT			12-76451	WASHER, DIAPHRAM	31	7
	BAR TO BARREL	3	20	12-77674	WASHER, RUBBER- SHIFT		
12-30164	WASHER, INDICATOR				SHAFT BUSHING	63	41
	SCREW	27	19A	12-78493	WASHER	43	2B
12-30514	WASHER, UPPER MOUNT			13-26992	LOCKWAHER, SOLENOID		
	BOLT (7/16 ID)	51	34		SCREW	15	12
12-31266	WASHER, RUBBER - SHIFT			13-26992	LOCKWASHER, HINGE		
	SHAFT BUSHING	57	41		BRACKET SCREW	3	9
12-32004	WASHER, THRUST -			13-26992	LOCKWASHER, STARTER		
	REVERSE GEAR	59	64		MOTOR TERMINAL	15	18
12-32004	WASHER, THRUST -			13-26993	LOCKWASHER, CLAMP		
	REVERSE GEAR	67	64		BRACKER STUD	43	10
12-33786	WASHER, LINK ROD SWIVEL	13	10	13-26993	LOCKWASHER, SOLENOID		
12-34437	WASHER, FILTER BASE				TERMINAL (5/16")	15	8
	SCREW	25	31	13-26993	LOCKWASHER,PIN		
12-35462	WASHER, LINK (SHIFT				ATTACHING SCREW	3	13
	SHAFT END)	39	13	13-26996	LOCKWASHER, HARNESS		
12-37998	WASHER, HINGE BRACKET				LEAD TO CHOKE		
	SCREW	3	10	13-26996	SOLNOID	17	2
12-38453	WASHER, CUPPED - WATER				LOCKWASHER, HOUSING		
	TUBE SEAL	55	29	13-26996	TO CRANKCASE SCREW	13	4
12-38453	WASHER, NYLON - WATER			13-26996	LOCKWASHER, RECTIFIER		
	PUMP BODY	63	29		SCREW	15	3
12-38453	WASHER, NYLON-WATER			13-26996	LOCKWASHER, SOLENOID		
	INLET TUBE SEAL	41	25		TERMINAL (#10)	15	6
12-38753	WASHER, PLATE SCREW	17	26				

PARTS INDEX

Part Number	Description	Pg.	Ref. No.	Part Number	Description	Pg.	Ref. No.
13-29720	WASHER, WAVE-SHIFT SHAFTER TO LINK	39	11	17-35973	DOWELL PIN, WATER PUMP BASE TO WATER PUMP BODY	55	18
13-69150	WASHER, WAVE-TILT LOCK TUBE	45	27	17-36242	PIN, ROLL-MERCURY SWITCH	33	28
14-47175	PIN, LOCKING LEVER AND CPVER FASTENING	39	16	17-38113	PIN, CROSS - RATCHET TO PROPELLER SHAFT	59	59
14-53012	TAB WASHER, GEAR HOUSING COVER	59	72	17-38113	PIN, CROSS - RATCHET TO PROPELLER SHAFT	67	59
14-53012	TAB WASHER, GEAR HOUSING COVER	69	72	17-39023	PIN, PUSH ROD TO REVERSE LOCK	49	10
14-76281	TAB WASHER, PROPELLER	59	81	17-46912	PIN, DOWEL- GEAR HOUSING	61	2
14-76281	TAB WASHER, PROPELLER	69	81	17-46912	PIN, DOWEL-GEAR HOUSING	55	2
15-20085A1	SHIM, LOWER END CAP (.002-3-5-10)	29	29	17-49930A1	TILT LOCK PIN ASSEMBLY	43	12
15-20927A1	SHIM, THRUST WASHER TO GEAR HOUSING (.002-3-5- 10)	59	63	17-60282	DOWEL PIN (STEPPED)	35	8
15-20929A1	SHIM, BEARING TO GEAR HOUSING (.002-3-5-10)	57	48	17-60301	PIN, COWL HINGE	3	11
15-22369A1	SHIM, LOWER BEARING TO CRANKSHAFT	35	3	17-65855	DOWEL PIN, REED STOP	35	9
15-38374A1	SHIM, BEARING CUP TO GEAR HOUSING (.002-3-5- 10)	59	54	18-25191	COTTER PIN, PUSH ROD PIN	49	11
15-38374A1	SHIM, BEARING CUP TO GEAR HOUSING (.002-3-5- 10)	67	54	18-47959	COTTER PIN, TILT LOCK	45	25
15-73644A1	SHIM, UPPER END CAP (.006-8-10)	29	24	19-45907	PLUG, FLYWHEEL PULLER THREADS	9	3
15-77418A1	SHIM, BEARING TO GEAR HOUSING (.002-3-5-10-20)	63	48	19-64649	PLUG, PLASTIC-TRIM TAB SCREW HOLE	49	2
16-33778	STUD	61	3	19-73336	PLUG, FRONT COVER	7	46
16-33778	STUD, WATER PUMP BODY/BASE TO GEAR HOUSING (2 5/8)	55	3	21-30430A9	CHECK VALVE ASSEMBLY	23	2
16-57932	STUD	49	3	21-77207	FITTING, CRANKCASE BLEED	33	31
16-57933	STUD, GEAR HOUSING TO DRIVE SHAFT HOUSING	61	4	21-77561	CONNECTOR, ATTENUATOR	7	39
16-57933	STUD, GEAR HOUSING TO DRIVE SHAFT HOUSING (2 3/16")	55	4	22-25885	ELBOW, DRIVE SHAFT HSG. AND EXH. PLATE	23	11
16-57935	STUD	49	4	22-25885	ELBOW, HOSE TO EXHAUST PLAT	23	11
16-59625	STUD, CLAMP BRACKER (9 1/2")	43	9	22-29111	CONECTOR, HOSE CYLINDER BLOCK	29	30
16-68166	STUD	41	23	22-32802	PLUG, CYLINDER BLOCK COVER	31	15
16-68167	STUD	27	7	22-32802	PLUG, PIPE-FUEL PUMP	23	9
16-68201	STUD	27	3	22-63187	FITTING, FUEL LINE TO ADDAPTOR	23	20
16-68202	STUD	27	7	22-64704	FITTING, BASE	25	37
16-68203	STUD	27	6	22-64704	FITTING, UPPER CARBURETOR	25	41
16-69058	STUD	41	22	22-64705	FITTING, FUEL PUMP (INLET)	23	17
17-20032	DOWEL PIN, MAIN BEARING	35	7	22-64706	TEE, LOWER CARBURETOR	25	39
17-20033	DOWEL PIN, CRANKCASE TO CYLINDER BLOCK	27	4	22-65857	FITTING, VCRANKCASE BLEED (PRESS IN)	33	32
17-20323	DOWEL PIN, CYLINDER BLOCK TO MAIN BEARING	27	5	22-67892	SCREW, DRAIN (MAGNETIC)	63	31
17-25598	PIN, REVERSE LOCK SPRING ATTACHING	45	31	22-70007	FITTING, FUEL PUMP (OUTLET)	25	42
17-30545	PIN, DRIVE SHAFT	57	46	22-71191	ELBOW, CRANKCASE VENT (PRESS IN)	7	41
17-30545	PIN, DRIVE SHAFT	63	46	22-74036	FITTING, GREASE	43	21
17-35973	DOWEL PIN	61	18	22-85822A1	CONNECTOR ASSEMBLY, SPEEDOMETER	61	1A
				23-23651	SLEEVE, WATER INLET TUBE	53	40

PARTS INDEX

Part Number	Description	Pg.	Ref. No.	Part Number	Description	Pg.	Ref. No.
23-26600	BUSHING, NYLON-SHIFT SHAFT TO LINK	39	12	24-64878	SPRING	31	5
23-26856	BUSHING, LINK ROD SWIVEL	13	9	24-78203A1	SPRING AND PIN ASSEMBLY	45	37
23-27132	BUSHING, NYLON-EXHAUST PLATE	41	21A	25-20116	GROMMET, CHOKE KNOB	17	10
23-28198	BUSHING, RUBBER-SHOCK ABSORBER (LOWER)	47	45	25-20266	"O" RING, WATER PUMP BASE	61	14
23-32171	BUSHING, RUBBER-SHOCK ABSORBER (UPPER)	47	44	25-20273	RING, RUBBER	63	30
23-45882	COTTER PIN, REVERSE LOCK TO SHAFT	45	40	25-20273	RING, RUBBER - CENTRIFUGAL SLINGER	55	30
23-55164	BUSHING, THROTTLE CONTROL LEVER SCREW	13	17	25-20415	"O"RING, ADAPTOR STEM	23	23
23-55171	BUSHING, THROTTLE CONTROL LEVER SCREW	13	18	25-25439	"O" RING, SHIFT SHAFT BUSHING	57	37
23-55419A1	BUSHING ASSEMBLY, SHIFT SHAFT	57	38	25-25439	"O" RING, SHIFT SHAFT BUSHING	63	37
23-56774	SPACER, COLLAR TO MOUNTING BRACKETS	15	21	25-26855	"O" RING, WATER PUMP BASE	55	14
23-59624	SPACER, CLAMP BRACKET STUD	43	8	25-31986	"O" RING, BEARING CARRIER	59	66
23-60242	SLEEVE, LUBRICATION - DRIVE SHAFT	57	47	25-31986	"O" RING, BEARING CARRIER	67	66
23-60242	SLEEVE, LUBRICATION - DRIVE SHAFT	63	47	25-32546	"O"RING, END CAP	29	26
23-69132	BUSHING, REVERSE LOCK PIVOT SHAFT	45	39	25-47386	"O"RING, FILTER COVER	25	33
23-71574	BUSHING, TILT LOCK TUBE	45	26	25-57009	GROMMET, SWITCH BOX PLATE	9	8
23-73203	SPACER	45	41	25-64872	GROMMET, POPPET RELIEF VALVE	31	3
23-74213	BARREL, NYLON-THROTTLE LINK ROD	13	6	25-64966	"O"RING, END CAP	29	21
23-75920	SLEEVE, TELL TALE HOSE	23	12A	25-65936	"O"RING, UPPER MOUNT	49	25A
23-75920	SLEEVE, TELL TALE HOSE	29	32	25-67202	"O"RING, TILT LOCK LEVER	45	24B
23-77631A2	BUSHING ASSEMBLY, SHIFT SHAFT	63	38	26-22734	OIL SEAL, SWIVEL BRACKET (TILT LOCK)	45	21A
24-20099	SPRING, COMPRESSION-LATCH SCREW	13	30	26-23300	OIL SEAL, WATER PUMP BASE	55	17
24-20099	SPRING, LINK TO ANCHOR BRACKET	39	3	26-23300	OIL SEAL, WATER PUMP BASE	61	17
24-20254	SPRING, COMPRESSION - DRIVE SHAFT	57	45	26-24590	OIL SEAL, SHIFT SHAFT BUSHING (LOWER)	57	39
24-20254	SPRING, COMPRESSION - DRIVE SHAFT	63	45	26-26782	OIL SEAL, WATER PUMP BASE	55	16
24-23067	SPRING, ADAPTOR STEM	23	24	26-29476	OIL SEAL, END CAP	29	22
24-35522	SPRING, TENTION-LOWER MOIUNT CLAMP	49	18	26-29476	OIL SEAL, END CAP	29	27
24-38114	SPRING, RETAINING - CROSS PIN	59	60	26-31249	OIL SEAL, SHIFT SHAFT BUSHING (UPPER)	57	40
24-38114	SPRING, RETAINING - CROSS PIN	67	60	26-32911	OIL SEAL, SWIVEL BRACKER	43	19
24-39845	SPRING, COMPRESSION - CAM FOLLOWER	59	53	26-38452	SEAL, RUBBER	63	28
24-39845	SPRING, COMPRESSION - CAM FOLLOWER	67	53	26-38452	SEAL, WATER INLET TUBE	41	24
24-55162	SPRING, RETURN-SPARK ADVANCE LEVER	13	19	26-38452	SEAL, WATER PUMP BODY TO WATER TUBE	55	28
24-60295	SPRING, FRONT COVER LATCH	7	49	26-60297	SEAL, FUEL CONNECTOR-COWL	3	2
				26-60298	SEAL, CONTROL CABLES-COWL	3	4
				26-60925	SEAL, WIRING HARNESS BRACKET	15	28
				26-69188	OIL SEAL, BEARING CARRIER	59	69
				26-69188	OIL SEAL, BEARING CARRIER	67	69

PARTS INDEX

Part Number	Description	Pg.	Ref. No.	Part Number	Description	Pg.	Ref. No.
26-69189	OIL SEAL, BEARING CARRIER - LINE CUTTER	59	70	29-52168	BEARING, NEEDLE	35	18
26-76384	OIL SEAL, SHIFT SHAFT BUSHING	63	39	30-20839	BEARING, BALL - REVERSE GEAR	59	65
26-79831	OIL SEAL, WATER PUMP BASE	61	16	30-20839	BEARING, BALL - REVERSE GEAR	67	65
27-25848	GASKET, FILTER COVER FASTENING SCREW	25	36	30-64424	BEARING, BALL-LOWER AND UPPER	35	2
27-32769	GASKET, LOWER	63	19	31-21700	BEARING, ROLLER - BEARING CARRIER	59	68
27-32769	GASKET, LOWER - WATER PUMP BASE TO FACE PLATE	55	19	31-21700	BEARING, ROLLER - BEARING CARRIER	67	68
27-32770	GASKET, UPPER	63	21	31-21739	BEARING, ROLLER - FORWARD GEAR	59	56
27-32770	GASKET, UPPER - FACE PLATE TO WATER PUMP BODY	55	21	31-21739	BEARING, ROLLER - FORWARD GEAR	67	56
27-32771	GASKET, WATER PUMP BASE TO GEAR HOUSING	55	13	31-38146A1	ROLLER BEARING ASSEMBLY, TAPERED - DRIVE SHAFT	57	49
27-38501	GASKET	53	36	31-38356A1	TAPERED ROLLER BEARING ASSEMBLY	59	55
27-38501	GASKET, ADAPTOR PLATE TO DRIVE SHAFT HOUSING	41	39	31-38356A1	TAPERED ROLLER BEARING ASSEMBLY	67	55
27-60280	GASKET, EXHAUST TUBE TO EXHAUST PLATE	41	41	31-62091	BEARING, ROLLER - DRIVE SHAFT	61	5
27-60286	GASKET, CRANKCASE TO CYLINDER BLOCK	27	2	31-62091	BEARING, ROLLER-DRIVE SHAFT	55	5
27-62386	GASKET, THERMOSTAT	31	20	31-62596A1	BEARING ASSEMBLY, CRANKPIN	35	25
27-69524	GASKET, PLATE TO EXHAUST MANIFOLD COVER	31	21	31-77420A1	ROLLER BEARING ASSEMBLY	63	49
27-69525	GASKET, BAFFLE PLATE TO CYLINDER BLOCK	31	16	32-28052	SLEEVE, RUBBER-TILT LOCK PIN BUMPER	43	13
27-70335	GASKET, BAFFLE PLATE TO CYLINDER BLOCK COVER	31	17	32-37727	TUBE, WATER INLET(SHORT SHAFT)	53	39
27-73377	GASKET,CARBURETOR	21	29	32-45679	TUBE, WATER INLET (LONG SHAFT)	53	39
27-73398	GASKET, CARBURETOR PLATE	17	23	32-54936	HOSE, CRANKCASE BLEED (12")	33	30
27-74511	GASKET, CYLINDER BLOCK COVER	31	13	32-54936	TUBE, VENT (LOWER)	7	40
27-76401	GASKET, CYLINDER BLOCK COVER	31	13	32-70432	FUEL LINE, ADAPTOR TO FUEL PUMP (12")	23	18
27-76579	GASKET, FRONT COVER	7	43	32-70432	FUEL LINE, CARBURETOT TO CARBURETOR (3")	25	40
27-76589	GASKET, POWERHEAD TO EXHAUST PLATE	39	20	32-70432	FUEL LINE, FUEL PUMP/FUEL FILTER COVER (3 1/2")	25	28
27-76862	GASKET, TRANSFER PASSAGE COVER	31	10	32-70432	FULE LINE, BASE TO LOWER CARBURETOR (9 1/2")	25	38
27-76952	GASKET, CARBURETOR PLATE TO CARBURETOR	17	24	32-71121	HOSE ASSEMBLY	23	10
27-77417	GASKET, WATER PUMP BASE TO GEAR HOUSING	61	13	32-71121	HOSE ASSEMBLY, GUEL PUMP TO NOZZLE (10")	23	12
27-78623	GASKET, POWERHEAD TO EXHAUST PLATE	39	20	32-71121	HOSE, TELL TALE (15")	29	31
27-79797	GASKET, HOUSING GROUP #7	41	29	33-57451	SPARK PLUG (AC#V40FFM)	11	29
28-30281	KEY, LOCATING- BEARING CARRIER	59	71	33-68098	SPARK PLUG	11	29
28-56662	KEY, IMPELLER DRIVE	55	23	34-65946	REED STOP	35	11
28-56662	KEY, IMPELLER DRIVE	63	23	34-66051A1	REED SET, MATCHED-MAIN BEARING	35	10
29-47270	BEARING, NEEDLE-PISTON PIN	35	26	35-59072	FILTER, FUEL	25	32

PARTS INDEX

Part Number	Description	Pg.	Ref. No.	Part Number	Description	Pg.	Ref. No.
39-78811A12	RING, PISTON(.015)	37	--	84-60443A3	WIRE ASSEMBLY, SWITCH BOX TO COIL (GREEN) . .	9	15
39-78816A12	RING PISTON	35	21	84-60466A17	WIRE ASSEMBLY, SWITCH BOX TO COIL (BLACK) . .	9	16
40-52035	LOCK RING, PISTON PIN . .	35	20	84-62822A1	WIRE ASSEMBLY	9	15
43-60245	GEAR, PINION - DRIVE SHAFT	55	11	84-68896A1	WIRE ASSEMBLY	9	15
43-60245	GEAR, PINION - DRIVE SHAFT	61	11	84-73204	WIRING HARNESS (INTERNAL)	15	23
43-60247	FORWARD GEAR	59	57	84-73451A8	WIRE ASSEMBLY, SPARK PLUG	11	27
43-60247	FORWARD GEAR ASSEMBLY	67	57	84-73452	CABLE, BATTERY TO STARTER SOLENOID . . .	15	22
43-66555	REVERSE GEAR	59	62	84-73453	CABLE	15	17
43-79159A1	REVERSE GEAR ASSEMBLY . .	67	62	87-33386A2	SWITCH, MERCURY	33	26
44-75365	SHAFT, PROPELLER	59	61	89-68258	STARTER SOLENOID	15	5
44-75365	SHAFT, PROPELLER	67	61	90-86135--5	SERVICE MANUAL	1	-
45-74854A1	DRIVE SHAFT ASSEMBLY (LONG SHAFT)	57	44	248-5977A12	FLYWHEEL ASSWMBLY . . .	9	4
45-74855A1	DRIVE SHAFT ASSEMBLY (SHORT SHAFT)	57	44	248-5977A25	FLYWHEEL ASSEMBLY	9	4
45-77389A2	DRIVE SHAFT ASSEMBLY . .	63	44	332-2854	BOOT, IGNITION COIL END	11	28
45-77390A2	DRIVE SHAFT ASSEMBLY . .	63	44	332-5524A1	SWITCH BOX ASSEMBLY . .	9	11
45-77393A1	DRIVE SHAFT ASSEMBLY . .	63	44	338-4995A2	IGNITION COIL ASSEMBLY .	9	18
45-77394A1	DRIVE SHAFT ASSEMBLY . .	63	44	339-5748A2	IGNITION COIL ASSEMBLY .	9	18
46-48746A1	WATER PUMP BODY ASSEMBLY	55	24	398-5704A2	STATOR ASSEMBLY	9	22
46-73640A1	WATER PUMP BASE ASSEMBLY	55	15	398-5704A5	STATOR ASSEMBLY	9	22
46-77177A1	WATER PUMP BASE ASSEMBLY	61	15	450-4393A2	CRANKSHAFT ASSEMBLY N ASSEMBLY- (.015)	35	1
46-77822A1	WATER PUMP BODY ASSEMBLY	63	24	450-6642A2	CRANKSHAFT ASSEMBLY . .	35	1
47-65959	IMPELLER, WATER PUMP . .	55	22	542-4846A7	MAIN BEARING ASSEMBLY (VALVE TYPE)	35	6
47-65959	IMPELLER, WATER PUMP . .	63	22	622-4850A3	CONNECTING ROD AND CAP ASSEMBLY	35	22
50-65436	STARTER MOTOR ASSEMBLY	15	13	745-5218A3	PISTON AND PISTON PIN ASSEMBLY	35	19
52-47586	RATCHET, SLIDING CLUTCH	59	58	745-5303A2	PISTON AND PISTON PIN ASSEMBLY- (.015)	37	--
52-47586	RATCHET, SLIDING CLUTCH	67	58	745-6614A3	PISTON AND PISTON PIN ASSEMBLY	35	19
53-26933	RING, SNAP-OUTER RACE CLAMPING	35	17	745-6697A2	PISTON AND PISTON PIN ASSEMBLY- (.015)	37	--
53-29641	CLIP, RETAINING - SHIFT SHAFT	63	36	865-6408A3	CYLINDER BLOCK AND CRANKCASE ASSEMBLY . . .	27	1
53-29641	CLIP, RETAINING - SHIFT SHAFT	57	36	865-6408A3	CYLINDER BLOCK AND CRANKCASE ASSEMBLY . . .	31	1
53-77415	RETAINING RING, BOTTOM YOKE	45	34	865-6595A3	CYLINDER BLOCK AND CRANKCASE ASSEMBLY . . .	27	1
54-28700	CLAMP, STATOR LEADS ATTACHING	9	25	865-6595A3	CYLINDER BLOCK AND CRANKCASE ASSEMBLY . . .	31	1
54-28700	CLAMP, WIRES TO SOUND ATTENUATOR	5	23	1025-6124A1	COVER, CYLINDER BLOCK . .	31	12
54-60872	CABLE	15	15	1144-6691A1	END CAP ASSEMBLY, LOWER	29	25
54-64855	CLIP, BLEED HOSE	33	33	1144-7053A1	END CAP ASSEMBLY, LOWER	29	25
54-68424	CLAMP, FUEL LINE ATTACHING	23	19	1161-6357A1	END CAP ASSEMBLY, UPPER	29	20
54-68725	CLAMP, HOSE TO FUEL PUMP AND FITTING	23	13	1379-6071A16	CARBURETOR ASSEMBLY . .	17	13
54-70705	CLAMP, TELL TALE NOZZLE	23	15	1379-6071A16	CARBURETOR ASSEMBLY . .	19	1
54-70705	CLAMP, TELL TALE NOZZLE	29	34	1379-6071A17	CARBURETOR	19	1
55-28416	PIN, UPPER SHOCK MOUNTING	43	17	1379-6071A17	CARBURETOR ASSEMBLY . .	17	13
55-58780A2	SHOCK ABSORBER	47	43	1379-6071A23	CARBURETOR ASSEMBLY . .	17	13
				1379-6071A23	CARBURETOR ASSEMBLY . .	19	1

PARTS INDEX

Part Number	Description	Pg.	Ref. No.	Part Number	Description	Pg.	Ref. No.
1395-4555	INLET NEEDLE AND SEAT .	19	3	1643-6459A5	GEAR HOUSING ASSEMBLY	61	-
1395-4807	SHAFT, THROTTLE	19	20	1643-7406A16	GEAR HOUSING ASSEMBLY	61	1
1395-5815	JET, MAIN (.086)	19	16	1643-7406A16	GEARE HOUSING		
1395-6196	VALVE, THROTTLE	19	21		ASSEMBLY	67	1
1395-6197	FLAOT	19	11	1643-7406A17	GEAR HOUSING ASS'Y		
1395-6198	VALVE ASSEMBLY,				COMP (SHORT SHAFT) . .	67	-
	ENRICHMENT	19	26	1643-7406A17	GEAR HOUSING ASSEMBLY	61	-
1395-6199	PLUG, MAIN JET	19	15	1643-7406A18	GEAR ASS'Y COMP. (LONG		
1395-6200	GASKET KIT	21	--		SHAFT)	67	-
1395-6203	WASHER, THROTTLE SHAFT	19	24	1643-7406A18	GEAR HOUSING ASSEMBLY	61	-
1395-6204	SEAL, THROTTLE SHAFT . .	19	23	2141-6227A1	COWL ASSEMBLY (PORT)-		
1395-6360	REPAIRE PARTS KIT	21	--		WITHOUT DECALS	3	3
1395-6488	FUEL BOWL	19	12	2142-6228A1	COWL ASSEMBLY		
1395-6685	VENTURI	19	5		(STARBOARD) - WITHOUT		
1395-7212	REPAIRE PARTS KIT	21	--		DECALS	3	1
1399-4215	JET, VENT BOWL (.066) . . .	19	2	2143-5689A5	FRONT COVER ASSEMBLY		
1440-6044A2	CLAMP BRACKET				(WITHOUT DECALS)	3	22
	ASSEMBLY	43	1	2143-7254A3	FRONT COVER ASSEMBLY		
1440-7374A2	CLAMP BRACKET				(WITHOUT DECALS)	3	22
	ASSEMBLY	43	1				
1489-7216A4	SWIVEL BRACKET						
	ASSEMBLY	43	18				
1490-7218A4	SWIVEL BRACKET						
	ASSEMBLY	43	18				
1554-4813A2	DRIVE SHAFT HOUSING						
	ASSEMBLY (SHORT						
	SHAFT)	49	1				
1554-7073A2	DRIVE SHAFT HOUSING						
	ASSEMBLY (SHORT						
	SHAFT)	49	1				
1564-4812A2	DRIVE SHAFT HOUSING						
	ASSEMBLY(LONG SHAFT)	49	1				
1564-7072A2	DRIVE SHAFT HOUSING						
	ASSEMBLY (LONG						
	SHAFT)	49	1				
1643-6038A19	GEAR HOUSING ASSEMBLY,						
	COMPLETE	59	-				
1643-6038A19	GEAR HOUSING						
	ASSEMBLY,COMPLETE						
	(SHORT SHAFT)-SEE						
	NOTE BELOW	55	-				
1643-6038A20	GEAR HOUSING ASSEMBLY,						
	COMPLETE (LONG						
	SHAFT)	59	-				
1643-6038A20	GEAR HOUSING ASSEMBLY,						
	COMPLETE (LONG						
	SHAFT)- SEE NOTE						
	BELOW	55	-				
1643-6038A6	GEAR HOUSING ASSEMBLY	55	1				
1643-6038A6	GEAR HOUSING ASSEMBLY						
	(SEE F6 FOR						
	BREAKDOWN)	59	1				
1643-6459A3	GEAR HOUSING ASSEMBLY	61	1				
1643-6459A3	GEAR HOUSING ASSEMBLY						
	- F10	67	1				
1643-6459A4	GEAR HOUSING ASS'Y						
	COMP. (SHORT SHAFT) .	67	-				
1643-6459A4	GEAR HOUSING ASSEMBLY	61	-				
1643-6459A5	GEAR HOUSING ASS'Y						
	COMP. (LONG SHAFT) . .	67	-				