



PARTS CATALOG

MERC 650 (3 CYLINDER)

SERIAL NUMBER

650 (3 CYL.)	USA 4382057 THRU 4571651
650 (3 CYL.)	CAN 7073473 THRU 7087822
650 (3 CYL.)	BEL 9112989 THRU 9135824

TABLE OF CONTENTS:

CARBURETOR ASSEMBLY	16
CARBURETOR LINKAGE AND CHOKE SOLENOID	14
CLAMP AND SWIVEL BRACKET ASSEMBLY (G2)	30
COWL SUPPORT BRACKETS	4
COWLING AND FRONT COVER	2
CRANKSHAFT, PISTONS AND CONNECTING RODS	24
CYLINDER BLOCK AND CRANKCASE ASSEMBLY	20
DRIVE SHAFT HOUSING ASSEMBLY (G4)	34
EXHAUST AND MANIFOLD COVERS	22
FLYWHEEL, SWITCH BOX, IGNITION COIL AND STATOR ASSEMBLY	8
FUEL PUMP, FUEL FILTER AND FUEL LINES	18
GEAR HOUSING ASSEMBLY, COMPLETE (G6)	38
GEAR HOUSING ASSEMBLY, COMPLETE (G8)	42
MISCELLANEOUS PARTS/ACCESORIES	1
PARTS INDEX	44
SHIFT LINKAGE AND EXHAUST PLATE	26
STARTER MOTOR, STARTER SOLENOID AND RECTIFIER ASSEMBLY	12
THROTTLE CONTROL LINKAGE AND SPARK ADVANCE	10

NOTE: Indented description indicate that these parts are included in preceeding assembly.

AR = As Required

NSS = Not Sold Separate

OPT = Optional

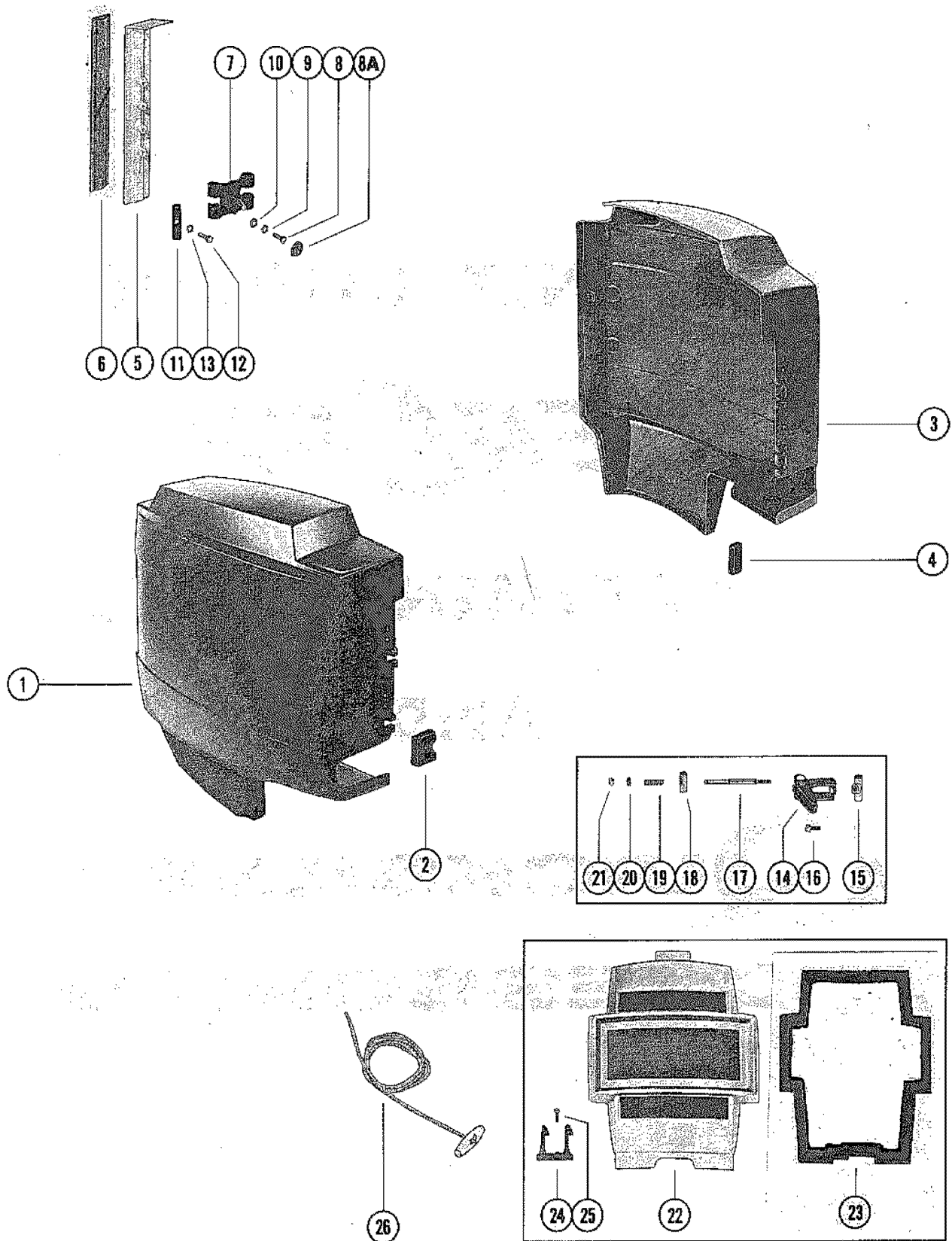
NS = Not Shown

THESE PARTS BOOKS/FICHE CARD ARE COPYRIGHTED AND MAY NOT BE DISTRIBUTED OR REPRODUCED IN ANY OTHER FORMAT BY ANYONE OTHER THAN MERCURY MARINE WITHOUT THE PRIOR WRITTEN CONSENT OF MERCURY MARINE.

MISCELLANEOUS PARTS/ACCESORIES

REF. NO.	PART NO.	SYM.	QTY.	DESCRIPTION
-	90-74972		0	MERC 650E PARTS LIST
-	27-73440A76		0	GASKET SET (MOTOR OVERHAUL)
-	37-73930A76		0	DECAL SET

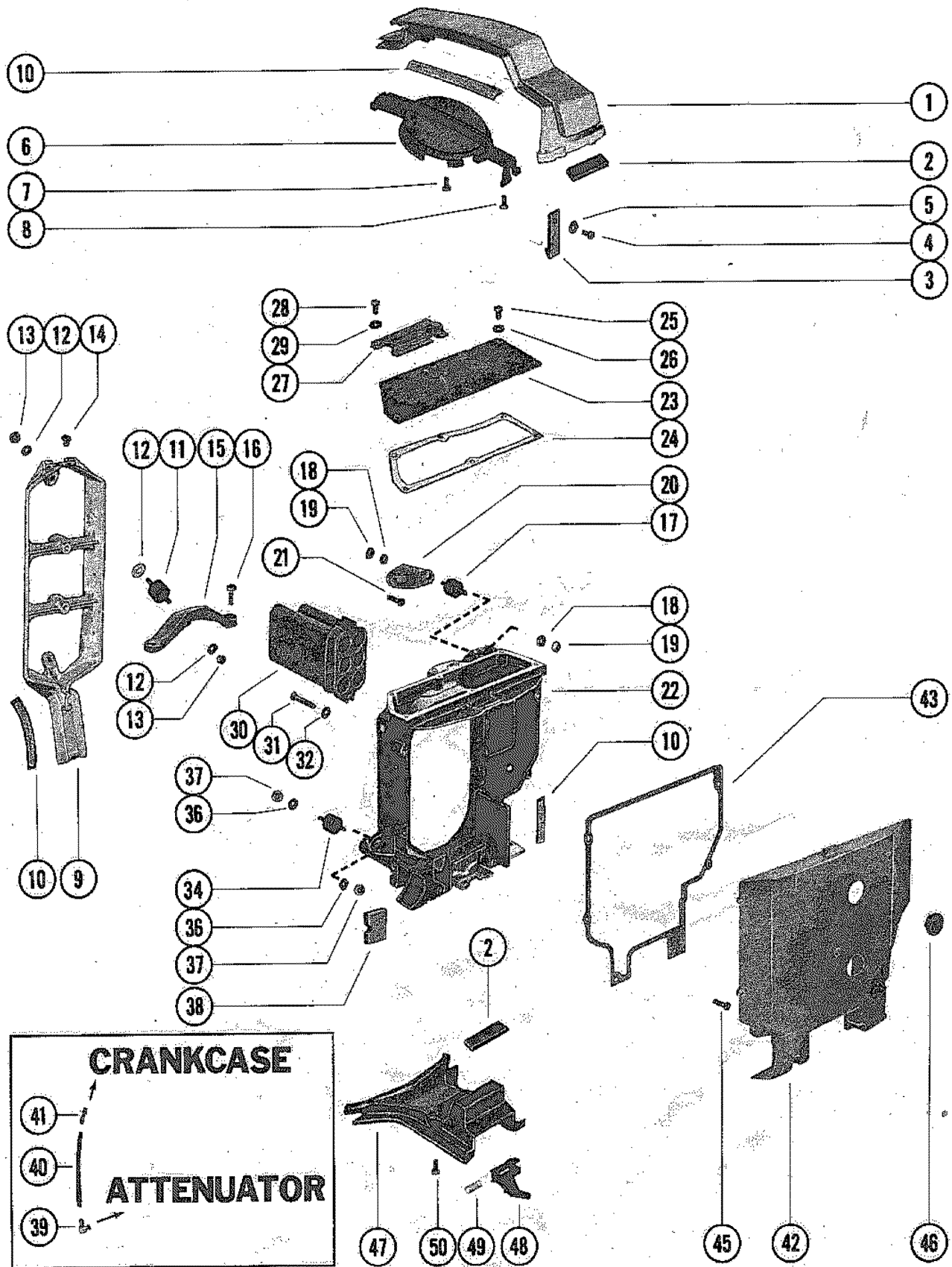
COWLING AND FRONT COVER



COWLING AND FRONT COVER

REF. NO.	PART NO.	SYM.	QTY.	DESCRIPTION
1	2142-6228A1		1	COWL ASSEMBLY (STARBOARD)
2	26-60297		1	SEAL, FUEL CONNECTOR-COWL
3	2141-6227A1		1	COWL ASSEMBLY (PORT)
4	26-60298		1	SEAL, CONTROL CABLES-COWL
5	69566		1	BRACKET, COWL SEALING-REAR
6	69876--1		2	SEAL, REAR BRACKET
7	69568		2	BRACKET, COWL HINGE
8	10-45561		2	SCREW, HINGE BRACKET TO REAR BRACKET-LOWER (1 1/8")
	10-75794		2	SCREW, HINGE BRACKET TO REAR BRACKET- UPPER (1 1/8')
8A	75805		2	CAP, HINGE BRACKET SCREW (UPPER)
9	13-26992		4	LOCKWASHER, HINGE BRACKET SCREW
10	12-37998		4	WASHER, HINGE BRACKET SCREW
	12-75806		2	WASHER, HINGE BRACKET SCREW (UPPER)
11	17-60301		4	PIN, COWL HINGE
12	10-28782		4	SCREW, PIN TO COWL (7/8")
13	13-26993		4	LOCKWASHER, PIN ATTACHING SCREW
14	46785A2		2	COWL LATCH ASSEMBLY
15	62628		2	BARREL, COWL LATCH
16	10-31312		2	SCREW, LATCH ASSEMBLY TO BARREL (7/8")
17	62627		2	BAR, ADJUSTMENT-COWL LATCH
18	62629		2	BARREL, COWL LATCH
19	24-62624		2	SPRING, TENSION-COWL LATCH
20	12-30164		2	WASHER, ADJUSTMENT BAR TO BARREL
21	11-45812		2	NUT, ADJUSTMENT BAR TO BARREL
22	2143-5689A3		1	COWL FRONT COVER ASSEMBLY
23	75165		1	BLANKET, SOUND ABSORBING-FRONT COVER
24	61158		2	HOOK, COWL FRONT COVER FASTENING
25	10-69570		1	SCREW, FASTENING HOOK TO COWL FRONT COVER (3/4")
26	47341A1		1	STARTER ROPE ASSEMBLY (FOR MANUAL STARTING ONLY)

COWL SUPPORT BRACKETS

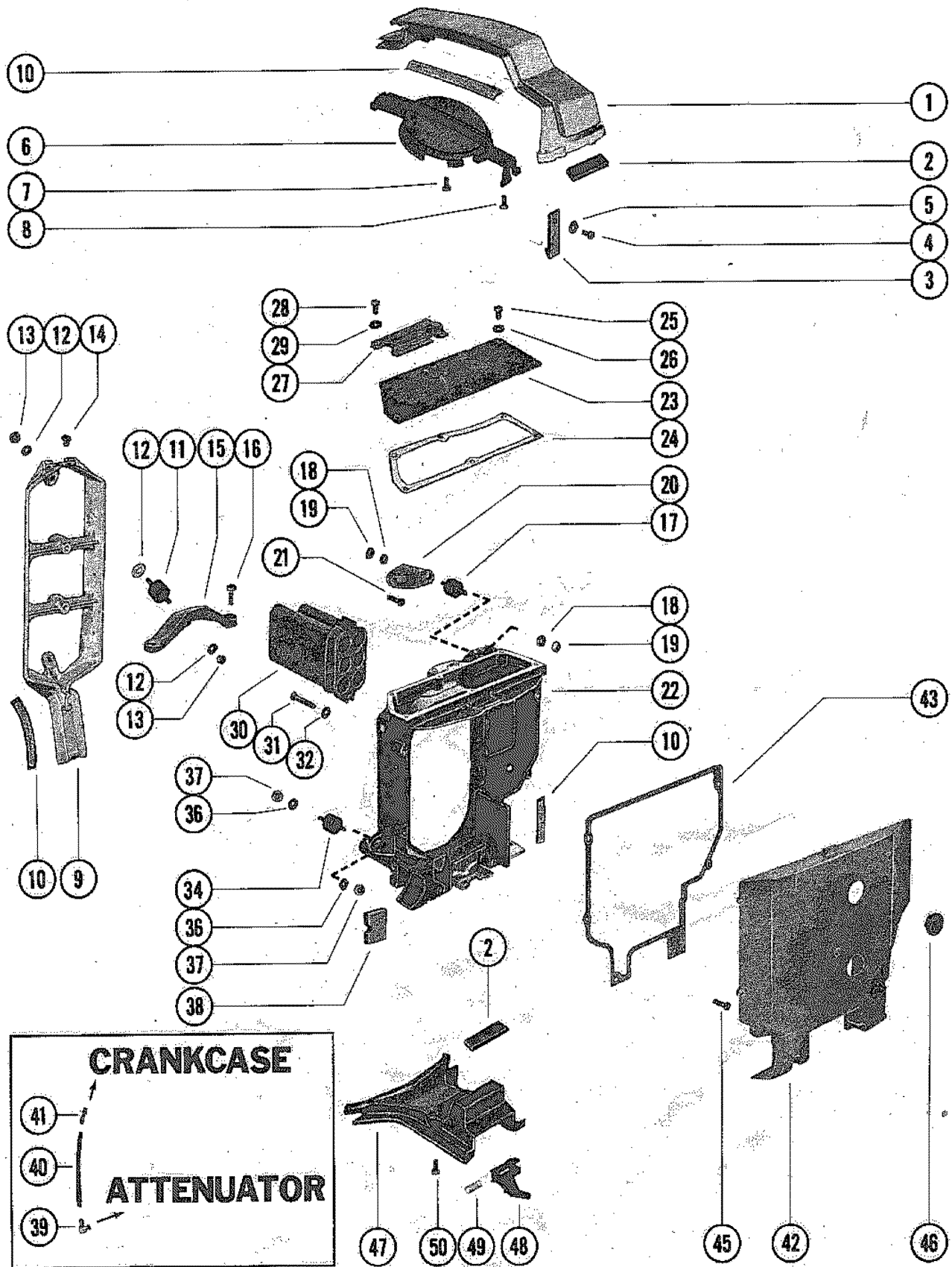


COWL SUPPORT BRACKETS

REF. NO.	PART NO.	SYM.	QTY.	DESCRIPTION
1	73641A1		1	BRACKET, COWL SUPPORT-TOP
2	62444		2	SEAL, RUBBER-TOP BRACKET AND COVER MOUNTING PLATE
3	76263		1	CLIP, TOP COWL SUPPORT BRACKET
4	10-48408		1	SCREW, CLIP TO TOP COWL SUPPORT (1/2")
5	12-45075		AR	WASHER, CLIP TO TOP COWL SUPPORT BRACKET
6	76219		1	SHIELD FLYWHEEL
7	10-37656		1	SCREW, SHIELD TO TOP SUPPORT BRACKET (5/8")
8	10-48408		3	SCREW, SHIELD TO TOP SUPPORT BRACKET (1/2")
9	74510A2		1	BRACKET, COWL SUPPORT-REAR
10	69876--1		4	SEAL, REAR BRACKET AND TOP BRACKET
11	63007		1	MOUNT, RUBBER-BRACE TO REAR SUPPORT BRACKET
12	12-20346		2	WASHER, RUBBER MOUNT TO REAR SUPPORT BRACKET
13	11-35045		2	NUT, RUBBER MOUNT TO REAR SUPPORT BRACKET
14	26901		2	STOP, RUBBER-REAR SUPPORT BRACKET
15	60116		1	BRACE, REAR COWL SUPPORT BRACKET (TOP)
16	10-24878		3	SCREW, SUPPORT BRK. BRACE TO CYL. BLOCK COVER (1 3/8")
17	63007		1	MOUNT, RUBBER- FRONT SUPPORT BRACKET TO BRACKET
18	12-20346		2	WASHER, RUBBER MOUNT TO FRONT SUPPORT BRACKET
19	11-20361		2	NUT, RUBBER MOUNT TO FRONT SUPPORT BRACKET
20	71097		1	BRACKET, RUBBER MOUNT
21	10-39349		1	SCREW, BRACKET TO CRANKCASE (3/4")
22	73625		1	ATTENUATOR, SOUND
23	76218		1	COVER, TOP-SOUND ATTENUATOR
24	27-71096		1	GASKET, TOP COVER
25	10-37571		2	SCREW, TOP COVER TO SOUND ATTENUATOR (1/2")
26	12-56681		2	WASHER, TOP COVER SCREW
27	75841		1	COVER, MANUAL CHOKE
28	10-37978		4	SCREW, COVER TO TOP COVER
29	12-56681		4	WASHER, COVER SCREW
30	73986		1	AIR MANIFOLD
31	10-34633		2	SCREW, AIR MANIFOLD TO SOUND ATTENUATOR
32	12-38753		2	WASHER, AIR MANIFOLD SCREW
34	63007		1	MOUNT, RUBBER-FRONT SUPPORT TO STARTER MOTOR COVER
36	12-20346		2	WASHER, RUBBER MOUNT ATTACHING
37	11-20361		2	NUT, RUBBER MOUNT ATTACHING
38	26-60296		1	SEAL, FUEL CONNECTOR-FRONT SUPPORT BRACKET
39	22-65670A1		1	CONNECTOR ASSEMBLY, ATTENUATOR
40	32-54936		1	TUBE, VENT (LOWER)
41	22-65857		1	FITTING, CRANKCASE VENT (PRESS IN)
42	72956		1	COVER, SOUND ATTENUATOR (FRONT)
43	27-76193		1	GASKET, FRONT COVER

CONTINUED ON NEXT PAGE ➡

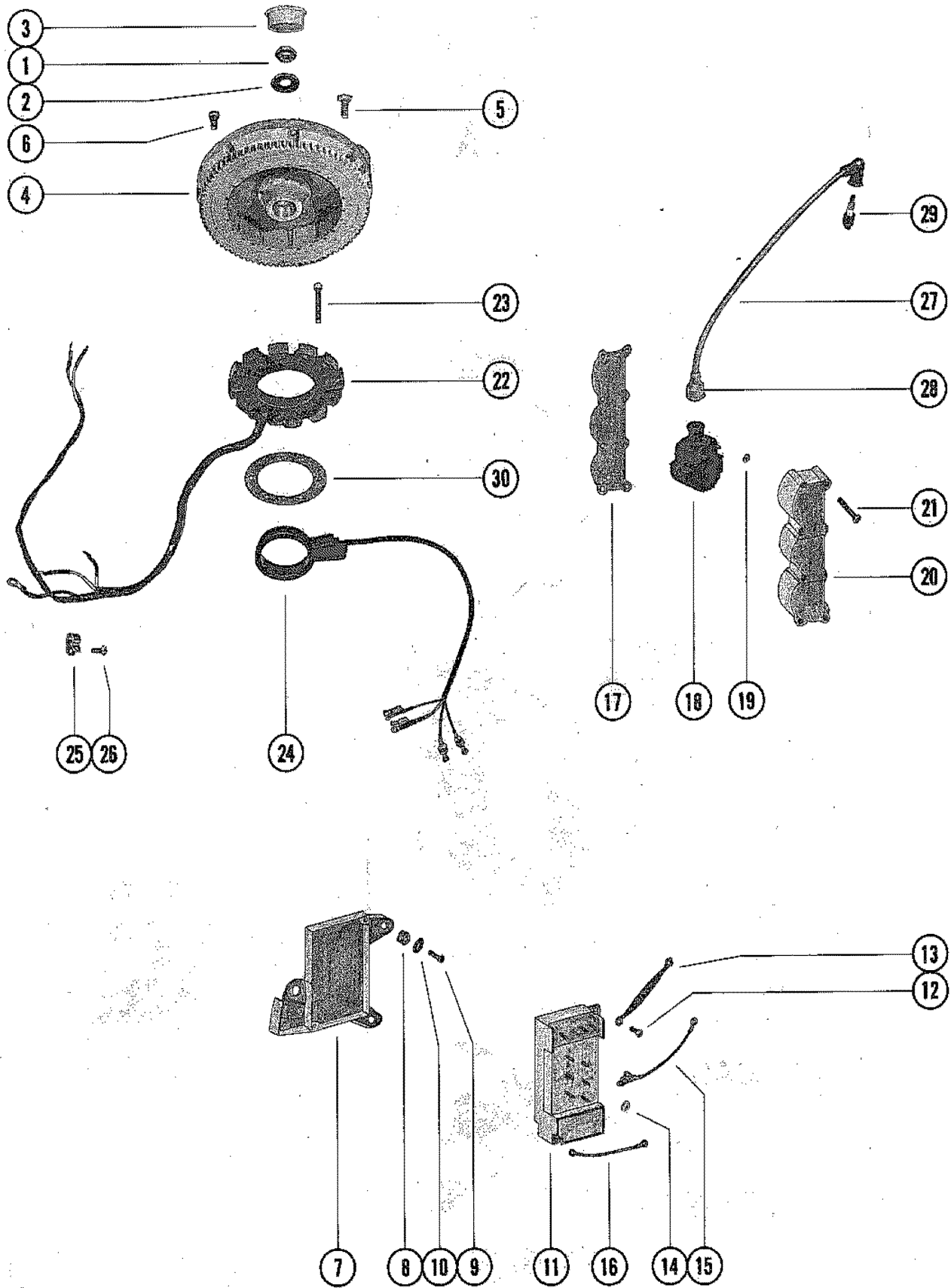
COWL SUPPORT BRACKETS



COWL SUPPORT BRACKETS

REF. NO.	PART NO.	SYM.	QTY.	DESCRIPTION
45	10-37571		6	SCREW, FRONT COVER TO SOUND ATTENUATOR (1/2")
46	19-73336		2	PLUG, FRONT COVER
47	76251A1		1	PLATE ASSEMBLY, FRONT COVER MOUNTING
48	76264		1	LATCH, FRONT COVER ATTACHING
49	24-60295		1	SPRING, FRONT COVER LATCH
50	10-28635		3	SCREW, COVER PLATE TO SUPPORT BRACKET (5/8")

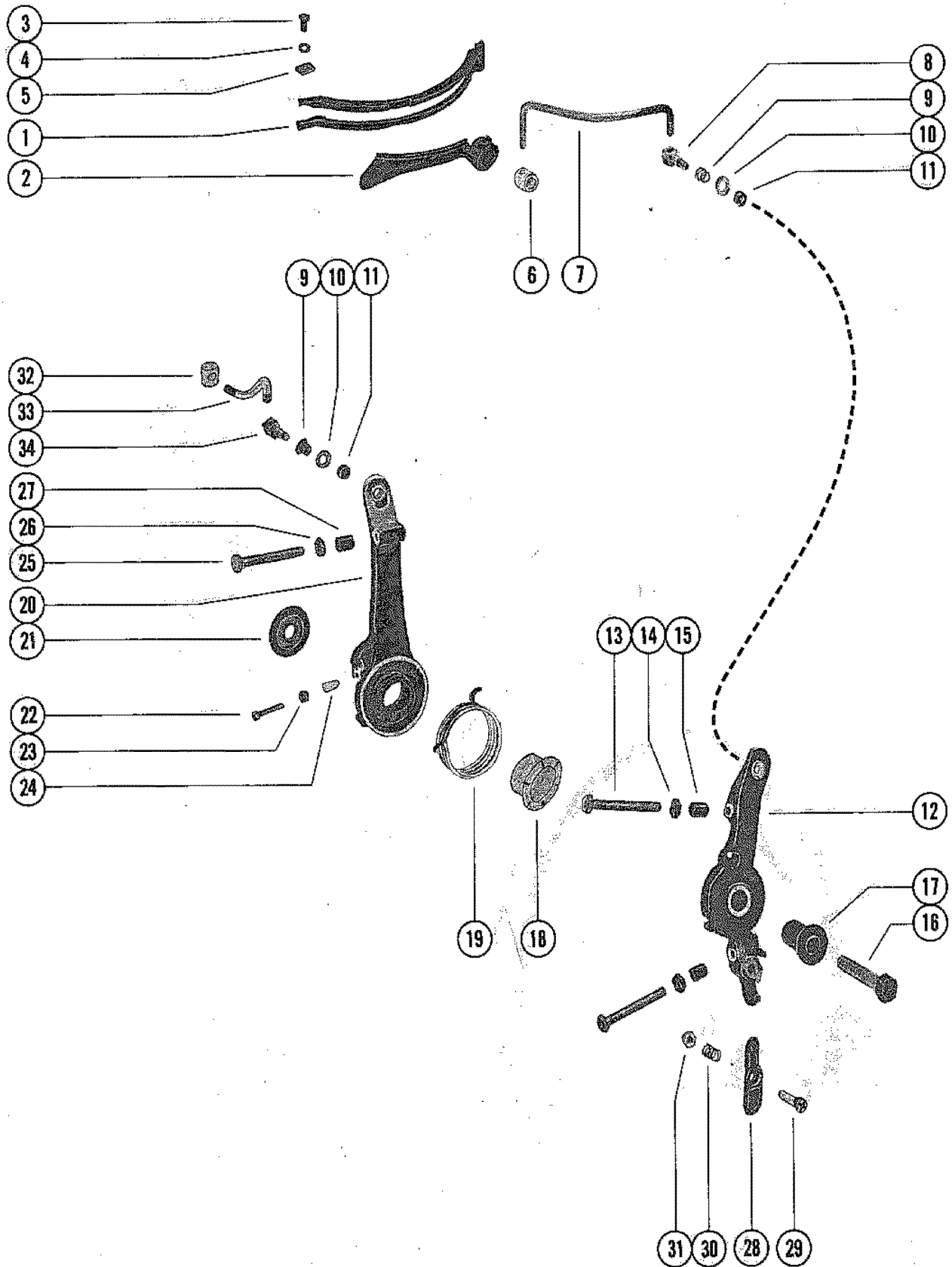
FLYWHEEL, SWITCH BOX, IGNITION COIL AND STATOR ASSEMBLY



FLYWHEEL, SWITCH BOX, IGNITION COIL AND STATOR ASSEMBLY

REF. NO.	PART NO.	SYM.	QTY.	DESCRIPTION
1	11-52901		1	NUT, FLYWHEEL
2	12-68229		1	WASHER, FLYWHEEL NUT
3	19-45907		1	PLUG, FLYWHEEL PULLER THREADS
4	248-5977A7		1	FLYWHEEL ASSEMBLY
5	10-68997		8	SCREW, PLATE/HUB TO FLEXIBLE PLATE (3/4")
6	10-32417		8	SCREW, FLEXIBLE PLATE TO FLYWHEEL (5/8")
7	73627		1	PLATE, SWITCH
8	25-57009		3	GROMMET, SWITCH BOX PLATE
9	10-59645		3	SCREW, SWITCH BOX PLATE TO CYLINDER BLOCK (3/4")
10	12-56720		3	WASHER, SWITCH BOX PLATE SCREW
11	332-5524A1		1	SWITCH BOX ASSEMBLY
12	10-26251		2	SCREW, SWITCH BOX TO PLATE (13/16")
13	46933A6		2	WIRE ASSEMBLY, SWITCH BOX SCREW
14	11-45076		10	NUT, SWITCH BOX TERMINAL
15	84-60443A3		1	WIRE ASSEMBLY, SWITCH BOX TO COIL (GREEN)
	84-62822A1		1	WIRE ASSEMBLY, SWITCH BOX TO COIL (GREEN/WHITE)
	84-68896A1		1	WIRE ASSEMBLY, SWITCH BOX TO COIL (GREEN/RED)
16	84-60466A17		3	WIRE ASSEMBLY, SWITCH BOX TO COIL (BLACK)
17	73439		1	PLATE, MOUNTING-IGNITION COIL
18	339-5748A2		3	IGNITION COIL ASSEMBLY
19	11-45076		6	NUT, IGNITION COIL TERMINAL
20	73218		1	COVER, IGNITION COIL
21	10-66944		6	SCREW, COVER TO MOUNTING PLATE (2")
22	398-5704A2		1	STATOR ASSEMBLY
23	10-63136		4	SCREW, STATOR TO UPPER END CAP (7/8")
24	68162A3		1	TRIGGER PLATE ASSEMBLY
25	54-28700		1	CLAMP, STATOR LEADS ATTACHING
26	10-20031		1	SCREW, CLAMP TO CRANKCASE (1/2")
27	84-73451A8		3	WIRE ASSEMBLY, SPARK PLUG
28	332-2854		3	BOOT, IGNITION COIL END
29	33-57451		3	SPARK PLUG (AC#V40FFM)
30	15-74049		AR	SHIM, STATOR

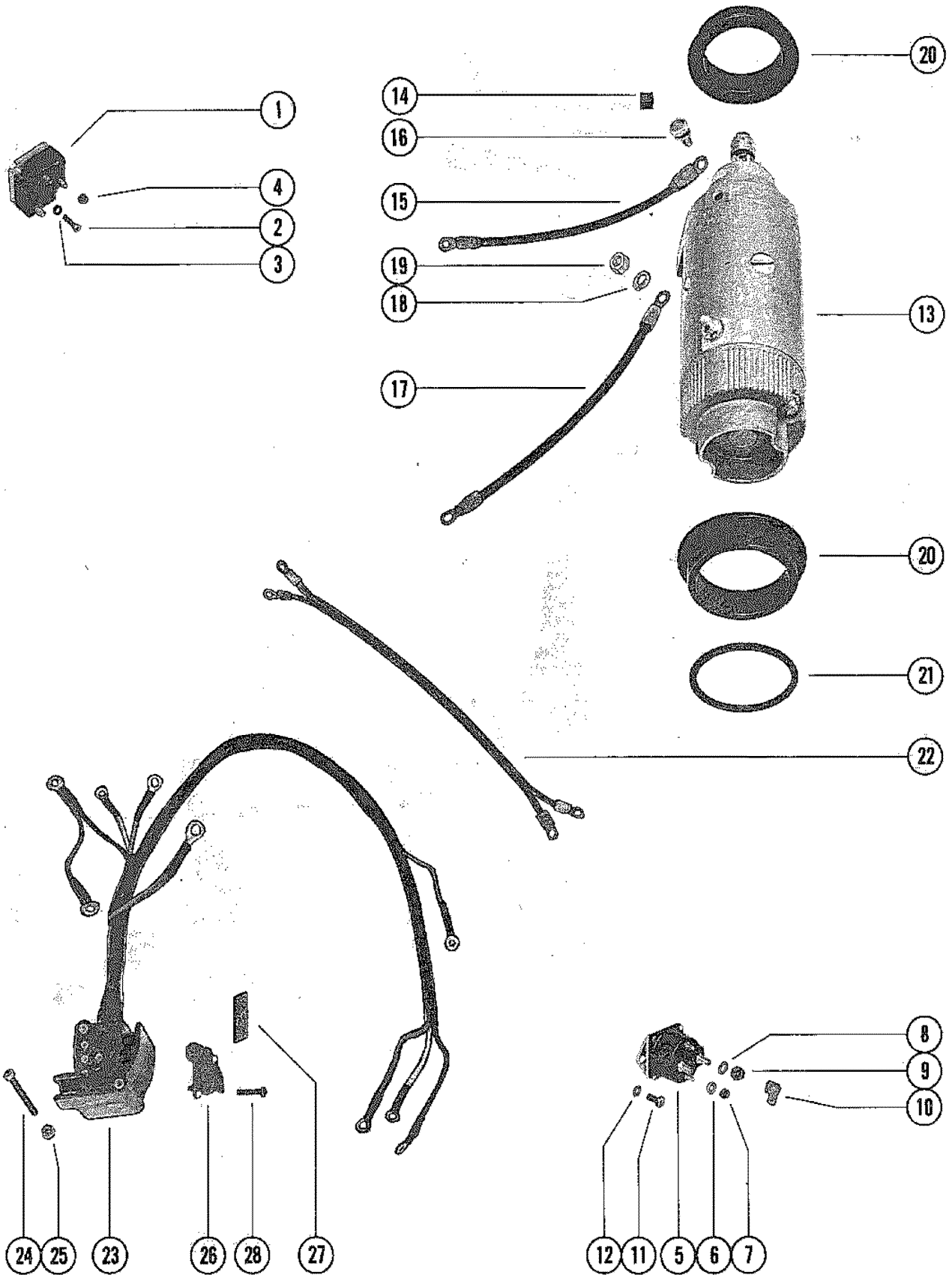
THROTTLE CONTROL LINKAGE AND SPARK ADVANCE



THROTTLE CONTROL LINKAGE AND SPARK ADVANCE

REF. NO.	PART NO.	SYM.	QTY.	DESCRIPTION
1	65913		1	HOUSING, NYLON-THROTTLE ACTUATOR
2	73334		1	CAM, NYLON-THROTTLE ACTUATOR
3	10-37571		1	SCREW, HOUSING TO CRANKCASE (1/2")
4	13-26996		1	LOCKWASHER, HOUSING TO CRANKCASE SCREW
5	60570		1	PLATE, RETAINER-ACTUATOR HOUSING
6	23-74213		1	BARREL, NYLON-THROTTLE LINK ROD
7	74164		1	ROD, LINK-THROTTLE
8	73783		1	SWIVEL, LINK ROD TO THROTTLE CONTROL LEVER
9	23-26856		2	BUSHING, LINK ROD SWIVEL
10	12-33786		2	WASHER, LINK ROD SWIVEL
11	11-45774		2	NUT, LINK ROD SWIVEL
12	74304		1	LEVER, THROTTLE CONTROL
13	10-73655		2	SCREW, ADJUSTING-THROTTLE LEVER (2")
14	11-29598		2	NUT, JAM-ADJUSTING SCREW
15	52023		2	CAP, ADJUSTING SCREW
16	10-55337		1	SCREW, THROTTLE CONTROL LEVER TO CYLINDER BLOCK (1 3/4")
17	23-55164		1	BUSHING, THROTTLE CONTROL LEVER SCREW
18	23-55171		1	BUSHING, THROTTLE CONTROL LEVER SCREW
19	24-55162		1	SPRING, RETURN-SPARK ADVANCE LEVER
20	74402		1	LEVER, SPARK ADVANCE
21	12-28008		1	WASHER, THROTTLE CONTROL LEVER SCREW
22	10-73656		1	SCREW, SPARK ADVANCE ADJUSTING (1 3/8")
23	11-20645		1	NUT, SPARK ADVANCE ADJUSTING SCREW
24	48039		1	CAP, SPARK ADVANCE ADJUSTING SCREW
25	10-73655		1	SCREW, ADJUSTING-SPARK ADVANCE LEVER (2")
26	11-29598		1	NUT, JAM-ADJUSTING SCREW
27	52023		1	CAP, ADJUSTING SCREW
28	39483		1	LATCH, THROTTLE CONTROL LEVER (THROTTLE CABLE)
29	10-22486		1	SCREW, LATCH TO THROTTLE CONTROL LEVER (7/8")
30	24-20099		1	SPRING, COMPRESSION-LATCH SCREW
31	11-20586		1	NUT, LATCH ATTACHING SCREW
32	74897		1	BARREL, LINK ROD TO STATOR
33	74212		1	ROD, LINK-SPARK ADVANCE
34	73783		1	SWIVEL, LINK ROD TO SPARK ADVANCE LEVER

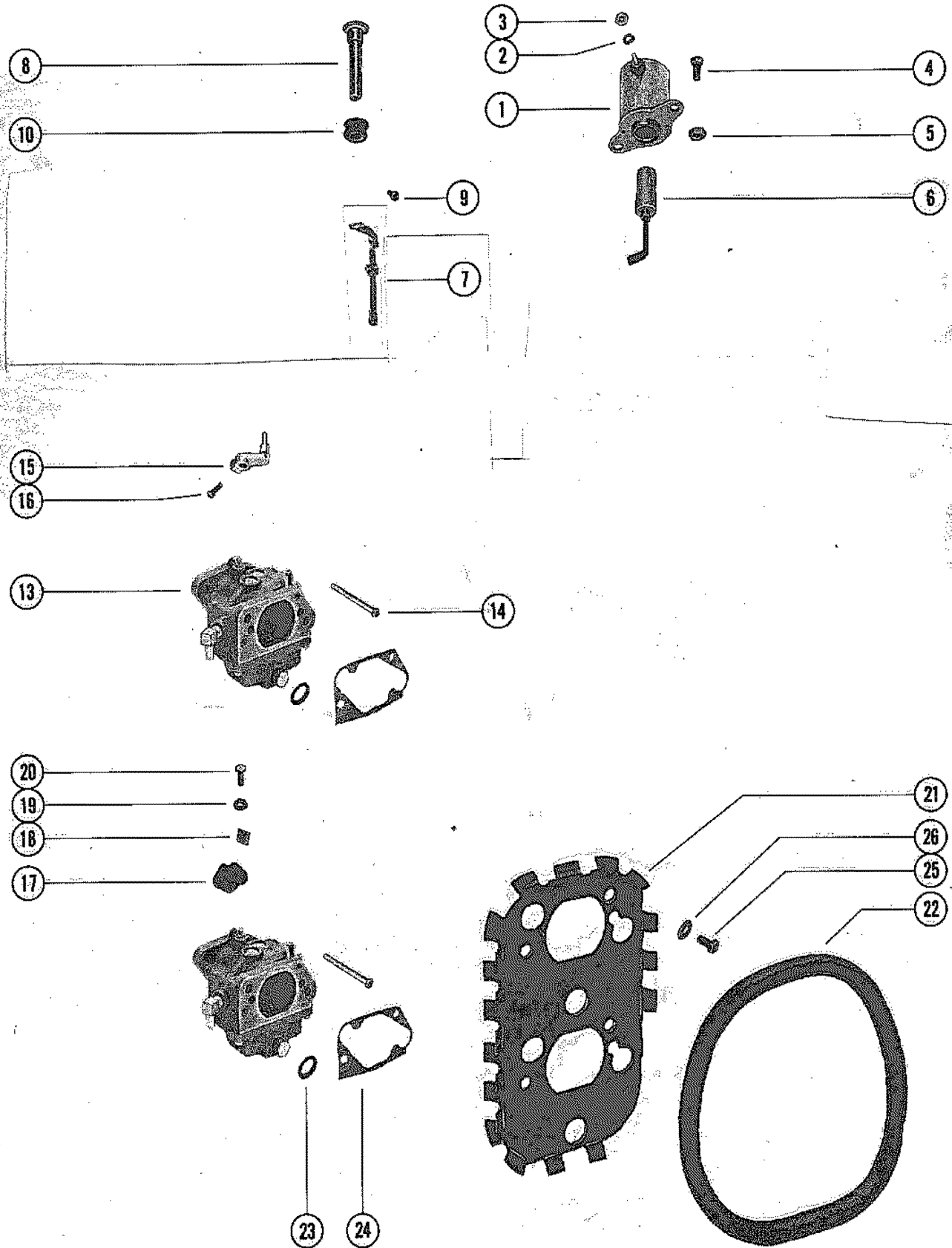
STARTER MOTOR, STARTER SOLENOID AND RECTIFIER ASSEMBLY



STARTER MOTOR, STARTER SOLENOID AND RECTIFIER ASSEMBLY

REF. NO.	PART NO.	SYM.	QTY.	DESCRIPTION
1	62351A1		1	RECTIFIER ASSEMBLY
2	10-38055		2	SCREW, RECTIFIER TO PLATE (5/8")
3	13-26996		2	LOCKWASHER, RECTIFIER SCREW
4	11-45076		3	NUT, RECTIFIER TERMINAL
5	89-68258		1	STARTER SOLENOID
6	13-26996		2	LOCKWASHER, SOLENOID TERMINAL (#10)
7	11-68219		2	NUT, SOLENOID TERMINAL (#10)
8	13-26993		2	LOCKWASHER, SOLENOID TERMINAL (5/16")
9	11-68292		2	NUT, SOLENOID TERMINAL (5/16")
10	46265		1	BOOT, TERMINAL-STARTER SOLENOID
11	10-69054		2	SCREW, SOLENOID TO TOP COVER (3/4")
12	13-26992		2	WASHER, SOLENOID SCREW
13	50-65436		1	STARTER MOTOR ASSEMBLY
14	57247		2	STOP, RUBBER- STARTER MOTOR
15	84-60872		1	CABLE, STARTER TO SOUND ATTENUATOR-BLACK (9 1/2")
16	10-28635		1	SCREW, CABLE TO STARTER MOTOR (5/8")
17	84-73453		1	CABLE, SOLENOID TO STARTER MOTOR-YELLOW (9 1/2")
18	13-26992		1	LOCKWASHER, STARTER MOTOR TERMINAL
19	11-20890		1	NUT, STARTER MOTOR TERMINAL
20	56703		2	COLLAR, RUBBER-STARTER MOUNT
21	23-56774		AR	SPACER, COLLAR TO MOUNTING BRACKETS
22	84-73452		1	CABLE, BATTERY TO STARTER SOLENOID
23	84-73204		1	WIRING HARNESS (INTERNAL)
24	10-69560		2	SCREW, WIRING HARNESS TO FRONT SUPPORT BRACKET (1 1/4")
25	11-46438		2	NUT, WIRING HARNESS SCREW
26	60114A1		1	BRACKET ASSEMBLY, WIRING HARNESS
27	26-60925		1	SEAL, WIRING HARNESS BRACKET
28	10-55903		2	SCREW, WIRING HARNESS BRACKET MOUNTING (2 1/4")

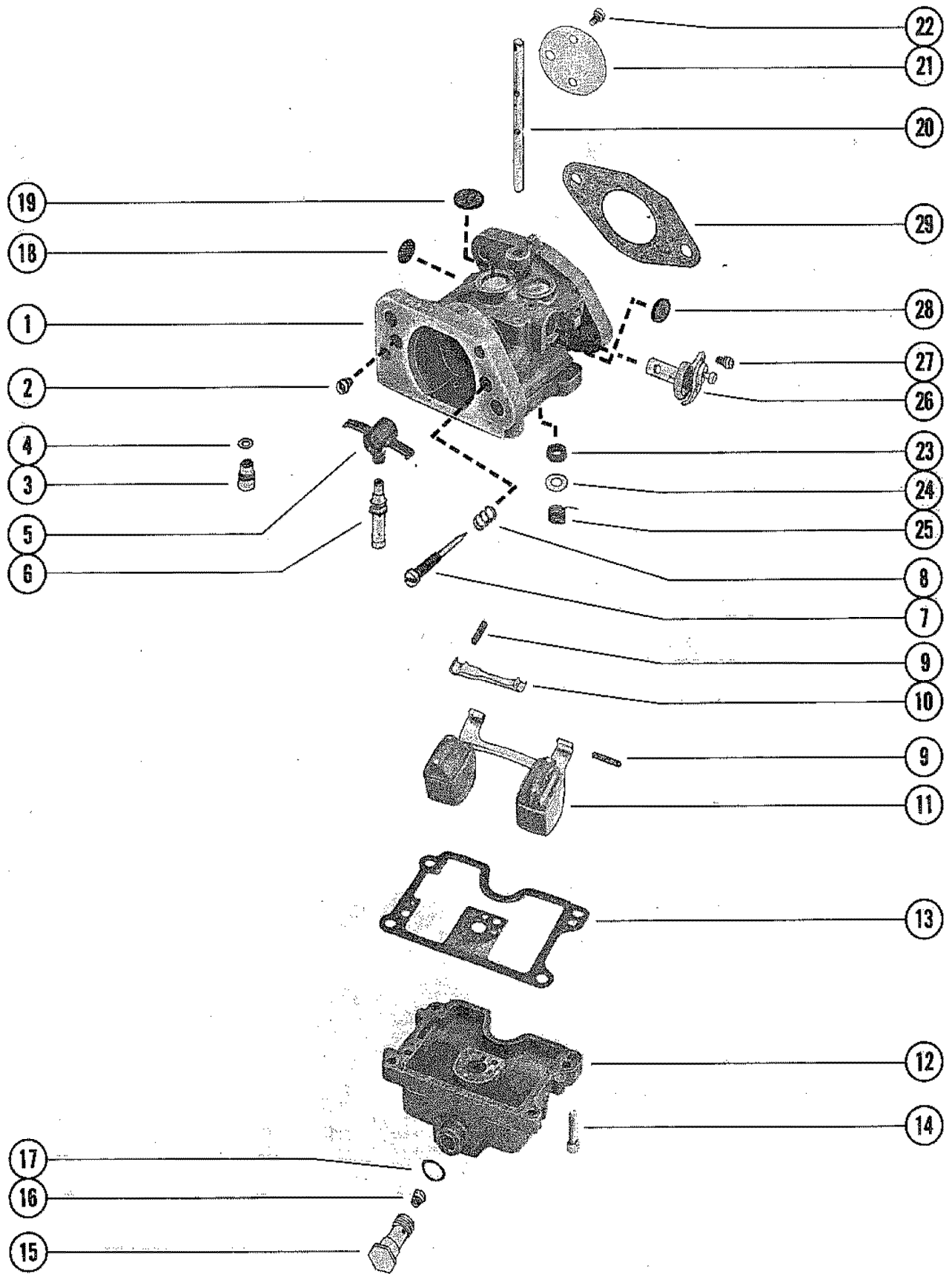
CARBURETOR LINKAGE AND CHOKE SOLENOID



CARBURETOR LINKAGE AND CHOKE SOLENOID

REF. NO.	PART NO.	SYM.	QTY.	DESCRIPTION
1	60549A3		1	CHOKE SOLENOID
2	13-26996		1	LOCKWASHER, HARNESS LEAD TO CHOKE SOLENOID
3	11-68219		1	NUT, HARNESS LEAD TO SOLENOID ATTACHING
4	10-33524		2	SCREW, CHOKE SOLENOID ATTACHING (5/8")
5	11-46793		2	NUT, CHOKE SOLENOID ATTACHING SCREWS
6	56074A2		1	PLUNGER ASSEMBLY, CHOKE SOLENOID
7	76076A1		1	CHOKE ROD
8	73755A1		1	CHOKE KNOB ASSEMBLY
9	10-76196		1	SCREW, WIRE TO CHOKE KNOB
10	25-20116		1	GROMMET, CHOKE KNOB
13	1379-6071A5		2	CARBURETOR ASSEMBLY (SHORT SHAFT)
	1379-6071A9		2	CARBURETOR ASSEMBLY (LONG SHAFT)
14	10-52743		4	SCREW, CARBURETOR TO CRANKCASE (3 3/4")
15	60568		1	LEVER, THROTTLE
16	10-60293		1	SCREW, LEVER TO CARBURETOR
17	60292A1		1	COUPLING ASSEMBLY
18	53665		1	INSERT, THROTTLE SHAFT COUPLING
19	12-64444		1	WASHER, ROLLED COUPLING
20	10-60293		1	SCREW, ROLLED WASHER TO COUPLING
21	71092A1		1	PLATE ASSEMBLY, CARBURETOR
22	71090		1	SEAL, CARBURETOR PLATE
23	27-73398		2	GASKET, CARBURETOR PLATE
24	27-73397		2	GASKET, CARBURETOR PLATE TO CARBURETOR
25	10-20367		4	SCREW, PLATE TO CARBURETOR (7/16")
26	12-38753		4	WASHER, PLATE SCREW

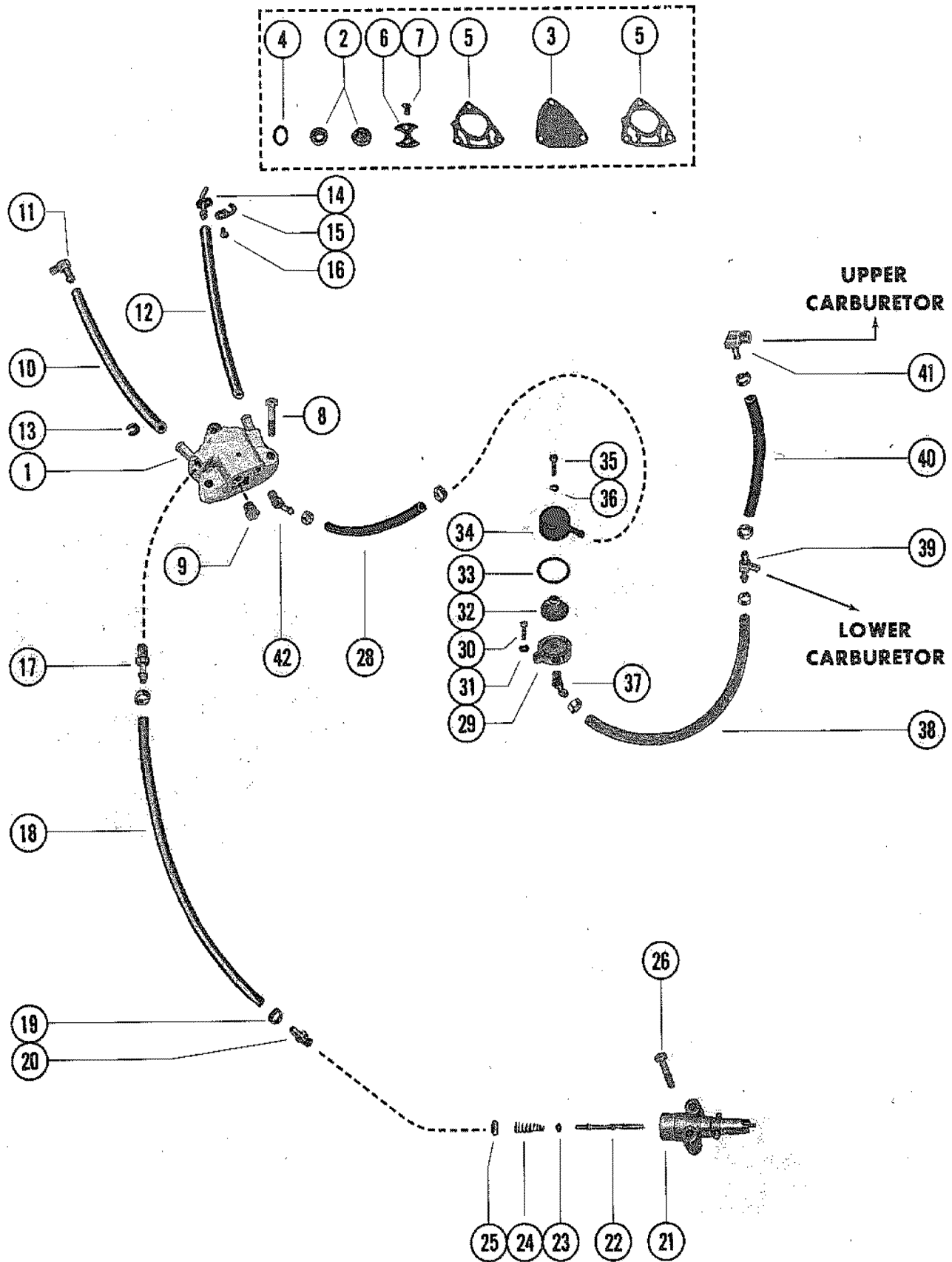
CARBURETOR ASSEMBLY



CARBURETOR ASSEMBLY

REF. NO.	PART NO.	SYM.	QTY.	DESCRIPTION
1	1379-6071A5		2	CARBURETOR ASSEMBLY, COMPLETE (SHORT SHAFT)
	1379-6071A9		2	CARBURETOR ASSEMBLY, COMPLETE (LONG SHAFT)
2	1395-6207		2	JET, VENT BOWL (.072)-SHORT SHAFT
	1395-6359		2	JET, VENT BOWL (.052) LONG SHAFT
3	1395-4555		2	INLET NEEDLE AND SEAT
4			2	GASKET, INLET NEEDLE AND SEAT
5	1395-6685		2	VENTURI ASSEMBLY
6			2	NOZZLE
7			2	SCREW, IDLE MIXTURE
8			2	SPRING, IDLE MIXTURE
9			6	PIN, FLOAT
10			2	LEVER, FLOAT
11	1395-6197		2	FLOAT
12	1395-6206		2	FUEL BOWL
13			2	GASKET, FUEL BOWL
14			8	SCREW, FUEL BOWL
15	1395-6199		2	PLUG, MAIN JET
16	1395-6201		2	JET, MAIN (.080)-SHORT SHAFT
	1395-6202		2	JET, MAIN (.088)-LONG SHAFT
17			2	GASKET, MAIN JET PLUG
18			2	SCREEN, FUEL INLET
19			4	WELCH PLUG (9/16")
20	1395-4807		2	SHAFT, THROTTLE
21	1395-6196		2	VALVE, THROTTLE
22			4	SCREW, VALVE TO THROTTLE SHAFT
23	1395-6204		2	SEAL, THROTTLE SHAFT
24	1395-6203		2	WASHER, THROTTLE SHAFT
25			2	SPRING, THROTTLE RETURN
26	1395-6198		2	VALVE ASSEMBLY, ENRICHMENT
27			2	SCREW, ENRICHMENT BRACKET
28			2	WELCH PLUG (7/16")
29	27-73377		2	GASKET, CARBURETORO
-	1395-6200		2	GASKET KIT
-	1395-6208		2	REPAIR PARTS KIT (SHORT SHAFT)
-	1395-6360		2	REPAIR PARTS KIT (LONG SHAFT)

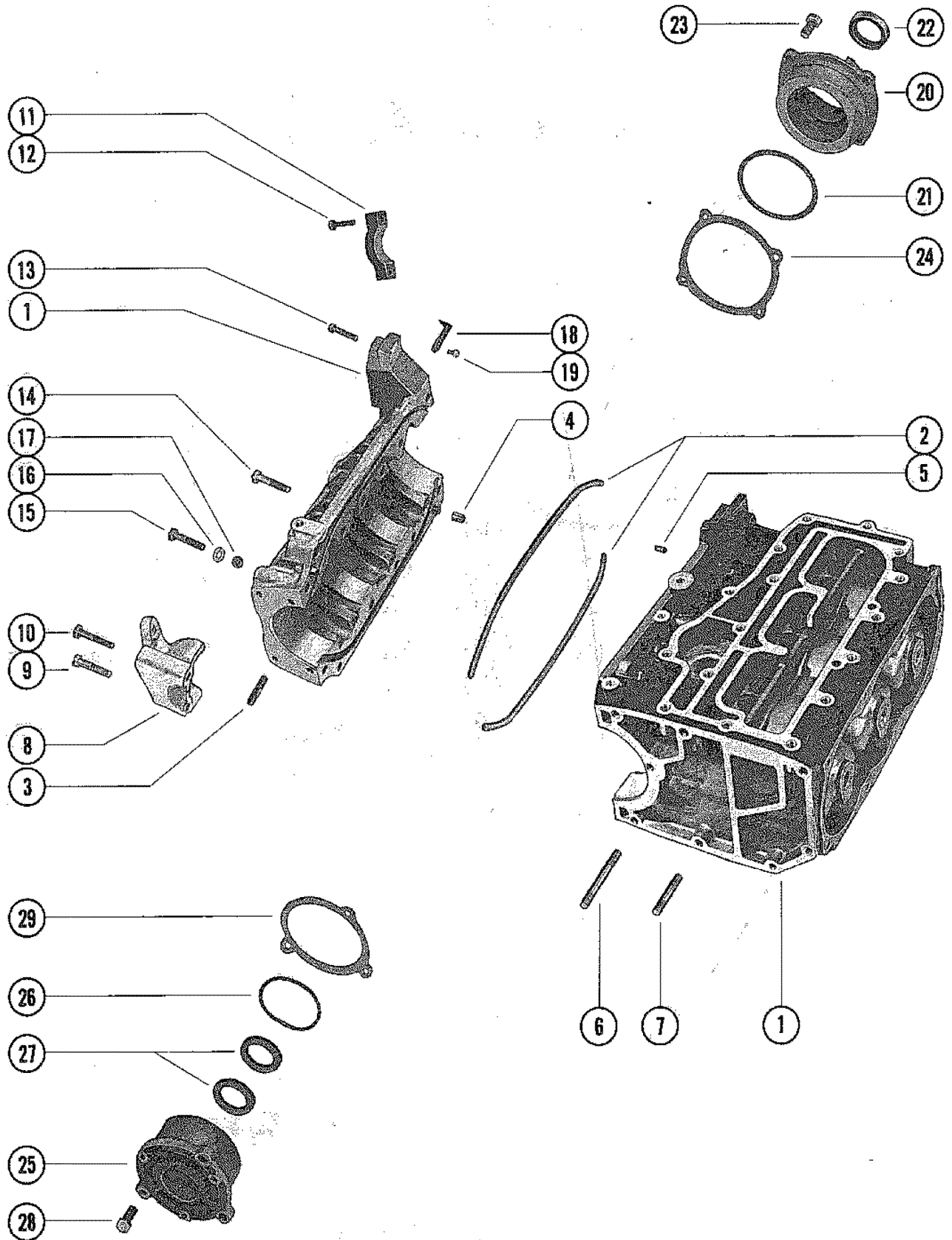
FUEL PUMP, FUEL FILTER AND FUEL LINES



FUEL PUMP, FUEL FILTER AND FUEL LINES

REF. NO.	PART NO.	SYM.	QTY.	DESCRIPTION
1	62973A4		1	FUEL PUMP ASSEMBLY
2	21-30430A3		1	CHECK VALVE ASSEMBLY
3	55278A1		1	DIAPHRAGM KIT
4			2	GASKET, CHECK VALVE TO HOUSING
5			2	GASKET, FUEL PUMP
6	23004		1	RETAINER, CHECK VALVE
7	10-68789		2	SCREW, RETAINER TO HOUSING (3/8")
8	10-35581		3	SCREW, PUMP MOUNTING (1 5/8")
9	22-32802		1	PLUG, PIPE-FUEL PUMP
10	32-71121		1	HOSE ASSEMBLY, FUEL PUMP TO EXHAUST PLATE (9 1/2")
11	22-25885		1	ELBOW, HOSE TO EXHAUST PLATE
12	23-71121		1	HOSE ASSEMBLY, FUEL PUMP TO TELL TALE NOZZLE (8 1/2")
13	54-68725		4	CLAMP, HOSE TO FUEL PUMP AND FITTING
14	69555		1	NOZZLE, TELL TALE-REAR SUPPORT BRACKET
15	54-70705		1	CLAMP, TELL TALE NOZZLE
16	10-31206		2	SCREW, TELL TALE CLAMP
17	22-64705		1	FITTING, FUEL PUMP (INLET)
18	32-70432		1	FUEL LINE, ADAPTOR TO FUEL PUMP (12")
19	54-68424		10	CLAMP, FUEL LINE ATTACHING
20	22-63187		1	FITTING, FUEL LINE TO ADAPTOR
21	22833		1	ADAPTOR, CHECK UNIT (FUEL PUMP)
22	23069		1	STEM, CHECK UNIT ADAPTOR
23	25-20415		1	"O"RING, ADAPTOR STEM
24	24-23067		1	SPRING, ADAPTOR STEM
25	30188		1	CUP WASHER, ADAPTOR
26	10-36154		2	SCREW, ADAPTOR TO SOUND ATTENUATOR (1 3/8")
28	32-70432		1	FUEL LINE, FUEL PUMP/FUEL FILTER COVER (2 1/2")
29	76221		1	BASE, FUEL FILTER AND COVER
30	10-22698		1	SCREW, FILTER BASE TO TRANSFER PASSAGE COVER (1 1/4")
31	12-34437		1	WASHER, FILTER BASE SCREW
32	35-59072		1	FILTER, FUEL
33	25-47386		1	"O"RING, FILTER COVER
34	59071		1	COVER, FILTER
35	10-32228		1	SCREW, FILTER COVER FASTENING (5/8")
36	27-25848		1	GASKET, FILTER COVER FASTENING SCREW
37	22-64704		1	FITTING, BASE
38	32-70432		1	FUEL LINE, BASE TO LOWER CARBUETOR (9 1/2")
39	22-64706		1	TEE, LOWER CARBURETOR
40	32-70432		1	FUEL LINE, CARBURETOR TO CARBURETOR (3")
41	22-64704		1	FITTING, UPPER CARBURETOR
42	22-70007		1	FITTING, FUEL PUMP (OUTLET)

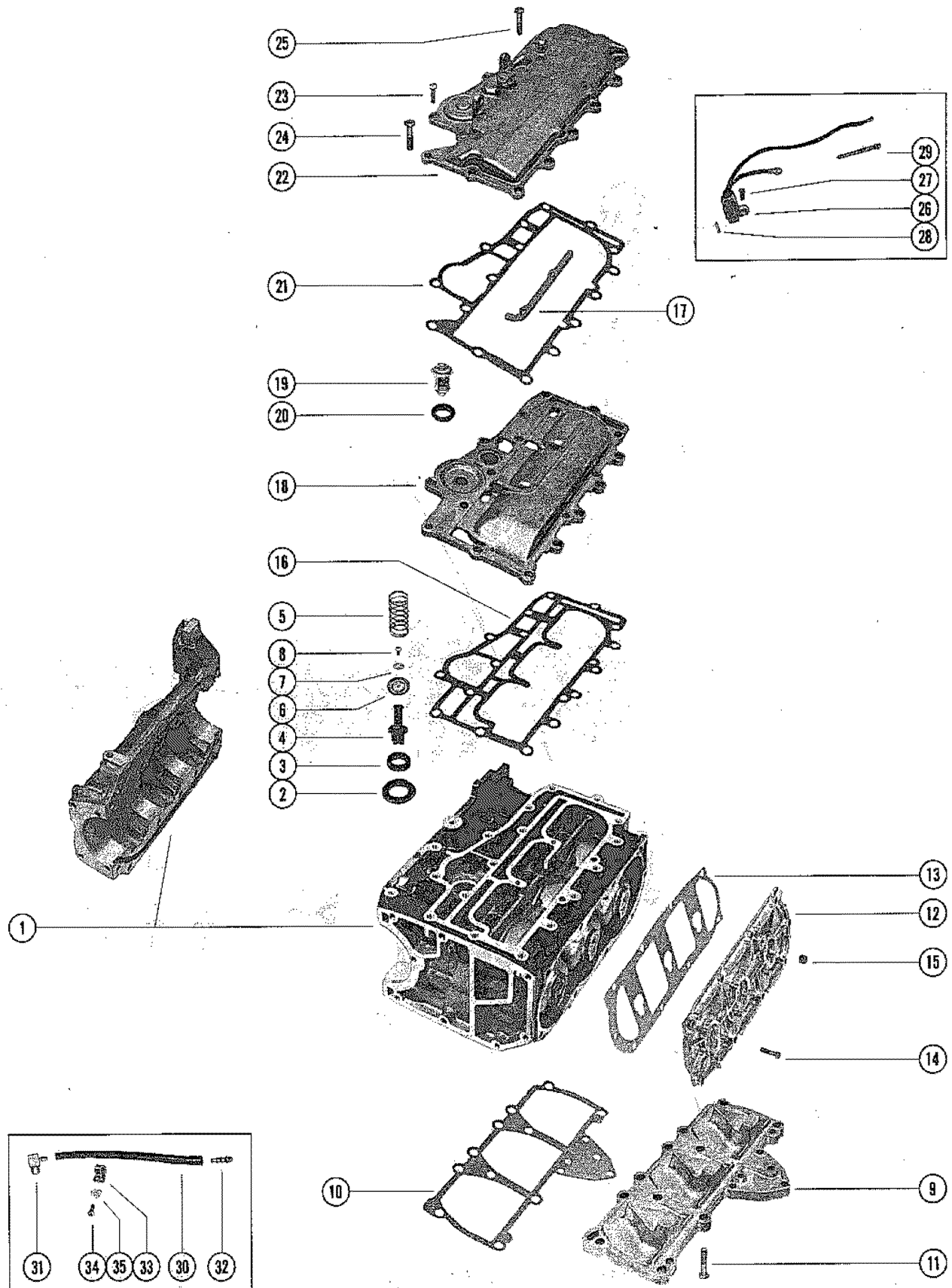
CYLINDER BLOCK AND CRANKCASE ASSEMBLY



CYLINDER BLOCK AND CRANKCASE ASSEMBLY

REF. NO.	PART NO.	SYM.	QTY.	DESCRIPTION
1	869-6005A3		1	CYLINDER BLOCK AND CRANKCASE ASSEMBLY (SHORT SHAFT)
	865-5890A3		1	CYLINDER BLOCK AND CRANKCASE ASSEMBLY (LONG SHAFT)
2	27-60286		2	GASKET, CRANKCASE TO CYLINDER BLOCK
3	16-68201		2	STUD, CRANKCASE TO DRIVE SHAFT HOUSING (2 1/4")
4	17-20033		2	DOWEL PIN, CRANKCASE TO CYLINDER BLOCK
5	17-20323		2	DOWEL PIN, CYLINDER BLOCK TO MAIN BEARING
6	16-68203		2	STUD, BLOCK TO DRIVE SHAFT HOUSING (4")
7	16-68202		1	STUD, BLOCK TO DRIVE SHAFT HSG (3")-EXHAUST SIDE
	16-68167		1	STUD, BLOCK TO DRIVE SHAFT HSG. (2 9/16")-TRANSFER SIDE
8	73346		1	COVER, STARTER MOTOR TO CRANKCASE (BOTTOM)
9	10-20362		1	SCREW, STARTER MOTOR COVER TO CRANKCASE (2")
10	10-22698		1	SCREW, STARTER MOTOR COVER TO CRANKCASE (1 3/4")
11	73206		1	COVER, STARTER MOTOR TO CRANKCASE (TOP)
12	10-25503		2	SCREW, STARTER MOTOR COVER TO CRANKCASE (2")
13	10-35385		12	SCREW, CRANKCASE TO CYLINDER BLOCK (1 3/4")
14	10-20362		1	SCREW, CRANKCASE TO CYLINDER BLOCK (1 1/2")
15	10-22039		2	SCREW, CRANKCASE TO CYLINDER BLOCK (2 3/4")
16	12-26020		15	WASHER, CRANKCASE TO CYLINDER BLOCK SCREW
17	11-29250		2	NUT, CRANKCASE TO CYLINDER BLOCK SCREW (BOTTOM)
18	73217		1	INDICATOR, TIMING
19	10-69022		1	SCREW, INDICATOR TO STARTER COVER
20	1161-6357A1		1	END CAP ASSEMBLY, UPPER
21	25-64966		1	"O"RING, END CAP
22	26-29476		1	OIL SEAL, END CAP
23	10-73169		4	SCREW, UPPER END CAP MOUNTING (1")
24	15-73644A1		AR	SHIM, UPPER END CAP (.006-8-10)
25	1144-5117A1		1	END CAP ASSEMBLY, LOWER
26	25-32546		1	"O"RING, END CAP
27	26-29476		2	OIL SEAL, END CAP
28	10-69034		3	SCREW, LOWER END CAP MOUNTING (1")
29	15-20085A1		AR	SHIM, LOWER END CAP (.002-3-5-10)

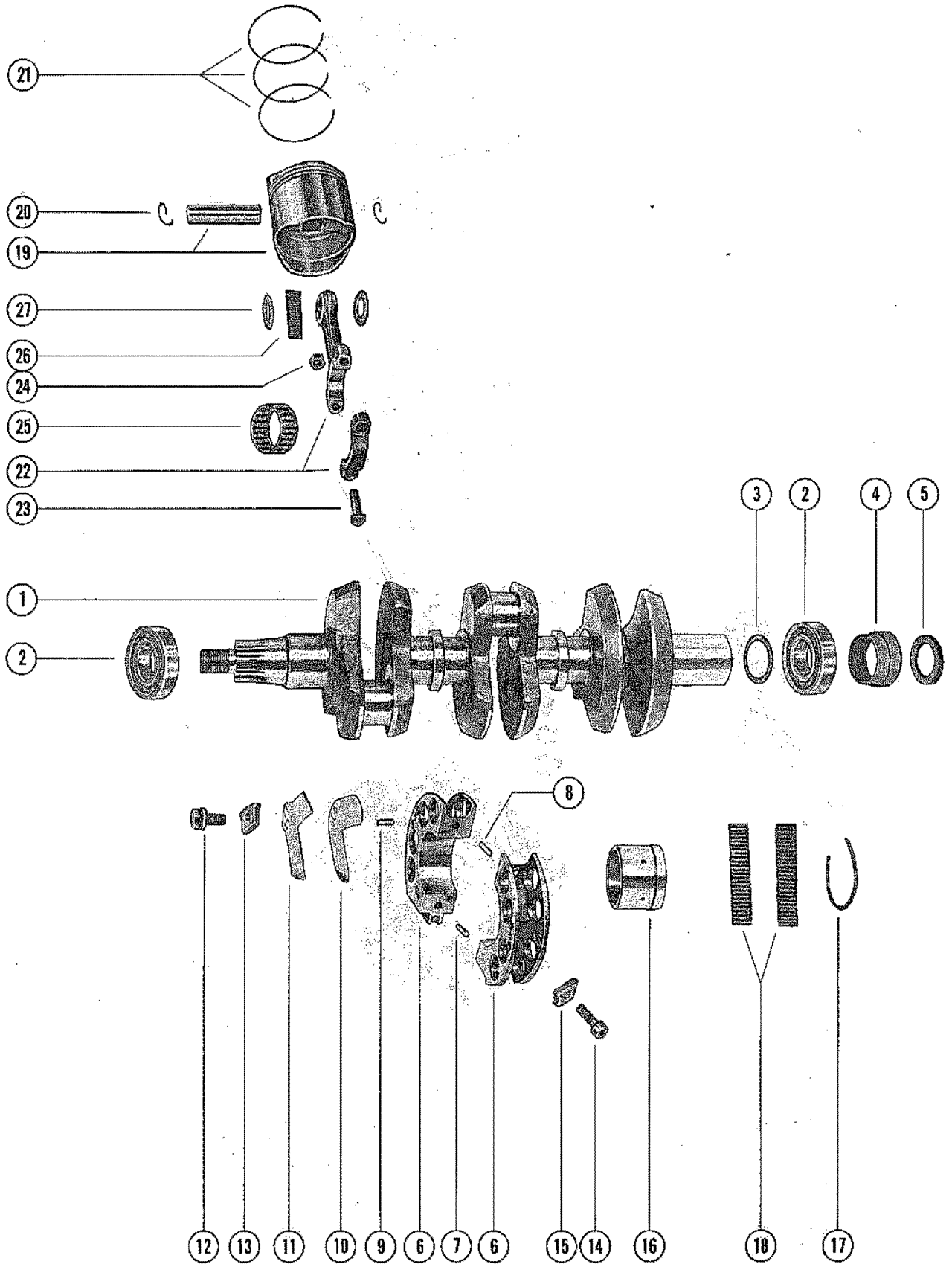
EXHAUST AND MANIFOLD COVERS



EXHAUST AND MANIFOLD COVERS

REF. NO.	PART NO.	SYM.	QTY.	DESCRIPTION
1	869-6005A3		1	CYLINDER BLOCK AND CRANKCASE ASSEMBLY (SHORT SHAFT)
	865-5890A3		1	CYLINDER BLOCK AND CRANKCASE ASSEMBLY (LONG SHAFT)
2	65848		1	CARRIER, GROMMET
3	25-64872		1	GROMMET, POPPET RELIEF VALVE
4	65409		1	POPPET, RELIEF VALVE
5	24-64878		1	SPRING, COMPRESSION-POPPET RELIEF VALVE
6	64877		1	DIAPHRAGM, POPPET VALVE
7	12-64879		1	WASHER, DIAPHRAGM
8	10-69594		1	SCREW, WASHER AND DIAPHRAGM TO POPPET VALVE
9	73216		1	COVER, TRANSFER PASSAGE
10	27-73442		1	GASKET, TRANSFER PASSAGE COVER
11	10-38837		10	SCREW, TRANSFER PASSAGE COVER MOUNTING (1 1/8")
12	1025-6124A1		1	COVER, CYLINDER BLOCK
13	27-60310		1	GASKET, CYLINDER BLOCK COVER
14	10-28667		6	SCREW, CYLINDER BLOCK COVER MOUNTING (1 1/8")
15	22-32802		1	PLUG, CYLINDER BLOCK COVER
16	27-69525		1	GASKET, BAFFLE PLATE TO CYLINDER BLOCK
17	27-70335		1	GASKET, BAFFLE PLATE TO CYLINDER BLOCK COVER
18	69579		1	PLATE, BAFFLE-EXHAUST MANIFOLD
19	66850		1	THERMOSTAT
20	27-62386		1	GASKET, THERMOSTAT
21	27-69524		1	GASKET, PLATE TO EXHAUST MANIFOLD COVER
22	74214		1	COVER, EXHAUST MANIFOLD
23	10-38837		1	SCREW, PLATE AND MANIFOLD COVER MOUNTING (1 1/8")
24	10-53016		15	SCREW, PLATE AND MANIFOLD COVER MOUNTING (1 1/4")
25	10-70602		2	SCREW, PLATE/MANIFOLD COVER MOUNTING (2")
26	87-33386A2		1	SWITCH, MERCURY
27	10-37655		1	SCREW, MERCURY SWITCH TO CRANKCASE (1/2")
28	17-36242		2	PIN, ROLL-MERCURY SWITCH
29	61990		1	STA-STRAP, MERCURY SWITCH LEAD
30	32-54936		1	HOSE, CRANKCASE BLEED (12")
31	21-64871A3		1	FITTING, CRANKCASE BLEED
32	22-65857		1	FITTING, CRANKCASE BLEED (PRESS IN)
33	54-64855		1	CLIP, BLEED HOSE
34	10-62568		1	SCREW, BLEED HOSE CLIP
35	69205		1	"C"WASHER, BLEED HOSE CLIP

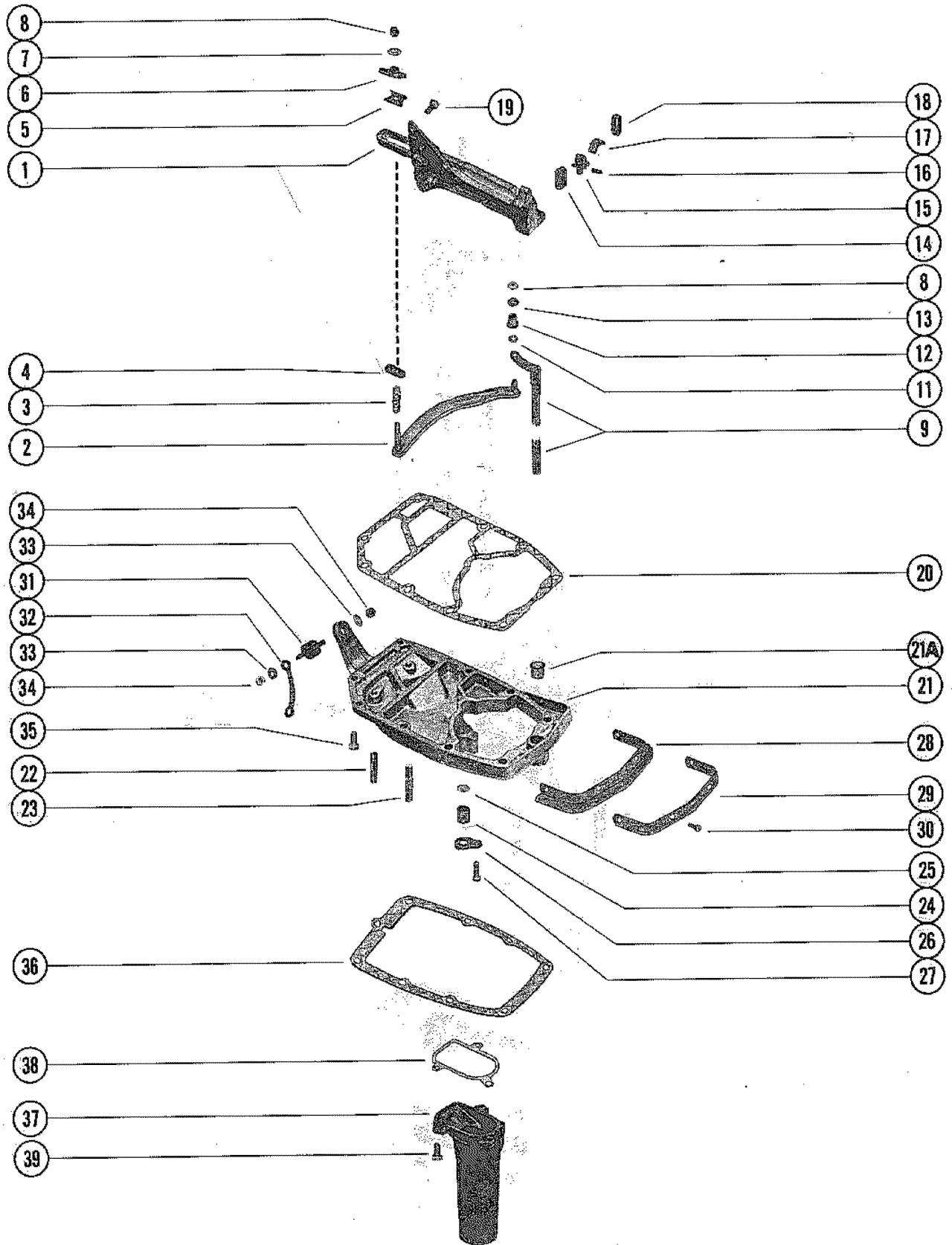
CRANKSHAFT, PISTONS AND CONNECTING RODS



CRANKSHAFT, PISTONS AND CONNECTING RODS

REF. NO.	PART NO.	SYM.	QTY.	DESCRIPTION
1	450-4393A2		1	CRANKSHAFT ASSEMBLY
2	30-64424		2	BEARING, BALL-LOWER AND UPPER
3	15-22369A1		AR	SHIM, LOWER BEARING TO CRANKSHAFT
4	60834A3		1	CARRIER ASSEMBLY, "O"RING
5	64254		1	"O" RING, CARRIER
6	542-4846A7		2	MAIN BEARING ASSEMBLY (VALVE TYPE)
7	17-20032		4	DOWEL PIN, MAIN BEARING
8	17-60282		2	DOWEL PIN (STEPPED)
9	17-65855		16	DOWEL PIN, REED STOP
10	34-66051A1		2	REED SET, MATCHED-MAIN BEARING
11	34-65946		8	REED STOP
12	10-53481		8	SCREW, REED STOP MOUNTING (9/16")
13	11-20110		8	NUT, REED STOP MOUNTING SCREW
14	10-45775		4	SCREW, MAIN BEARING CLAMPING (9/16")
15	11-45774		4	NUT, MAIN BEARING SCREW CLAMPING
16	26113		2	RACE, OUTER (PAIR)
17	53-26933		2	RING, SNAP-OUTER RACE CLAMPING
18	29-52168		112	BEARING, NEEDLE
19	745-5218A3		3	PISTON AND PISTON PIN ASSEMBLY (SHORT SHAFT)
	745-5220A2		3	PISTON AND PISTON PIN ASSEMBLY (LONG SHAFT)
20	40-52035		6	LOCK RING, PISTON PIN
21	39-45155A12		1	RING, PISTON
22	622-4850A3		3	CONNECTING ROD AND CAP ASSEMBLY
23	10-54803		6	SCREW, CAP TO CONNECTING ROD (1 1/2")
24	11-49091		6	NUT, CONNECTING ROD SCREW
25	31-62596A1		3	BEARING ASSEMBLY, CRANKPIN
26	29-47270		87	BEARING, NEEDLE-PISTON PIN
27	12-47247		6	WASHER, NEEDLE LOCATING
-	745-5303A2		3	PISTON AND PISTON PIN ASSEMBLY (SHORT SHAFT) (.015)
-	745-5303A2		3	PISTON AND PISTON PIN ASSEMBLY (LONG SHAFT) (.015)
-	39-45204A12		1	RING, PISTON (.015)

SHIFT LINKAGE AND EXHAUST PLATE

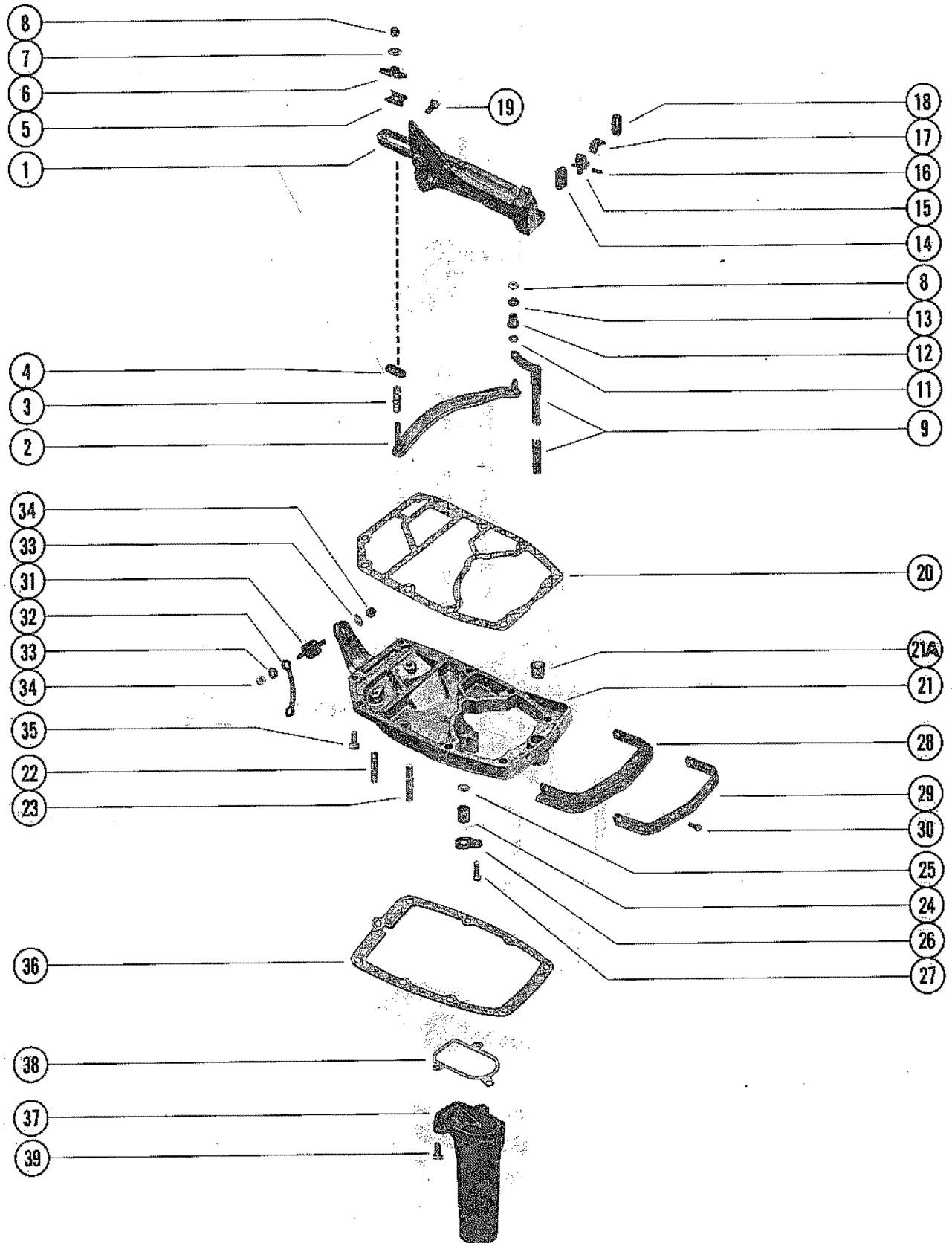


SHIFT LINKAGE AND EXHAUST PLATE

REF. NO.	PART NO.	SYM.	QTY.	DESCRIPTION
1	58908		1	BRACKET, ANCHOR-CONTROL CABLES
2	60283A1		1	LINK ASSEMBLY, SHIFT SHAFT AND ANCHOR BRACKET
3	24-20099		1	SPRING, LINK TO ANCHOR BRACKET
4	37896		1	GUIDE BLOCK, LINK
5	52100		1	WEAR PLATE, NYLON-LINK
6	38279		1	LATCH, LINK TO ANCHOR BRACKET
7	12-21631		1	WASHER, LINK LATCH
8	11-20664		2	NUT, LINK ATTACHING
9	75007A3		1	SHIFT SHAFT ASSEMBLY, UPPER (SHORT SHAFT)
	75008A3		1	SHIFT SHAFT ASSEMBLY, UPPER (LONG SHAFT)
11	13-29720		1	WASHER, WAVE-SHIFT SHAFT TO LINK
12	23-26600		1	BUSHING, NYLON-SHIFT SHAFT TO LINK
13	12-24664		1	WASHER, LINK (SHIFT SHAFT END)
14	39519		1	CUP, RETAINER-ANCHOR BRACKET
15	39618		1	LEVER, NYLON-SHIFT CABLE LOCKING
16	17-47175		3	PIN, LOCKING LEVER AND COVER FASTENING
17	65799		1	LINK, LOCKING LEVER TO COVER
18	39667		1	COVER, NYLON-SHIFT CABLE
19	10-69101		3	SCREW, ANCHOR BRACKET TO CRANKCASE/CYL. BLOCK (7/8")
20	27-60317		1	GASKET, POWERHEAD TO EXHAUST PLATE
21	73712A3		1	EXHAUST PLATE ASSEMBLY
21A	23-27132		1	BUSHING, NYLON-EXHAUST PLATE
22	16-69058		1	STUD, EXHAUST PLATE TO DRIVE SHAFT HOUSING (1 11/16")
23	16-68166		1	STUD, EXHAUST PLATE TO DRIVE SHAFT HOUSING (2 1/8")
24	73156		1	SEAL, WATER INLET TUBE
25	12-38453		1	WASHER, NYLON-WATER INLET TUBE SEAL
26	38500		1	RETAINER, WATER INLET TUBE SEAL
27	10-69069		1	SCREW, RETAINER TO EXHAUST PLATE (3/4")
28	60307		1	SEAL, EXHAUST PLATE
29	60306		1	STRIP, RETAINING-EXHAUST PLATE SEAL
30	10-62568		4	SCREW, RETAINING STRIP TO EXHAUST PLATE (3/8")
31	63007		1	MOUNT, RUBBER-EXHAUST PLATE TO REAR COWL SUPPORT
32	49651A1		1	GROUND STRAP ASS'Y, EXHAUST PLATE TO REAR COWL SUPPORT
33	12-20346		2	WASHER, RUBBER MOUNT ATTACHING
34	11-20361		2	NUT, RUBBER MOUNT TO EXHAUST PLATE

CONTINUED ON NEXT PAGE ➡

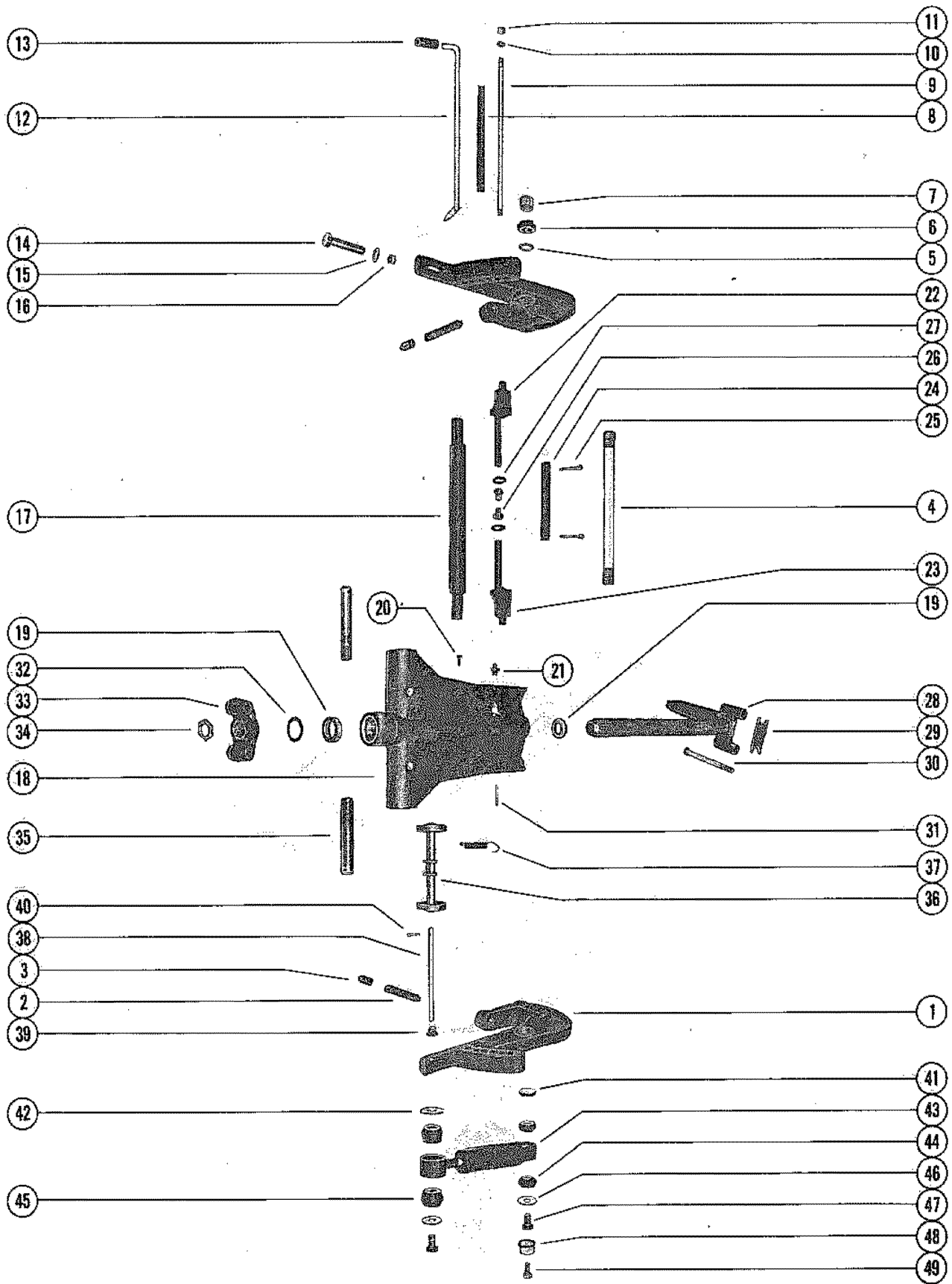
SHIFT LINKAGE AND EXHAUST PLATE



SHIFT LINKAGE AND EXHAUST PLATE

REF. NO.	PART NO.	SYM.	QTY.	DESCRIPTION
35	10-37562		3	SCREW, EXHAUST PLATE PLATE TO CYLINDER BLOCK (1")
36	27-38501		1	GASKET, ADAPTOR PLATE TO DRIVE SHAFT HOUSING
37	58911		1	EXHAUST TUBE, ADAPTOR
38	27-60280		1	GASKET, EXHAUST TUBE TO EXHAUST PLATE
39	10-28636		3	SCREW, EXHAUST TUBE TO EXHAUST PLATE (3/4")

CLAMP AND SWIVEL BRACKET ASSEMBLY (G2)

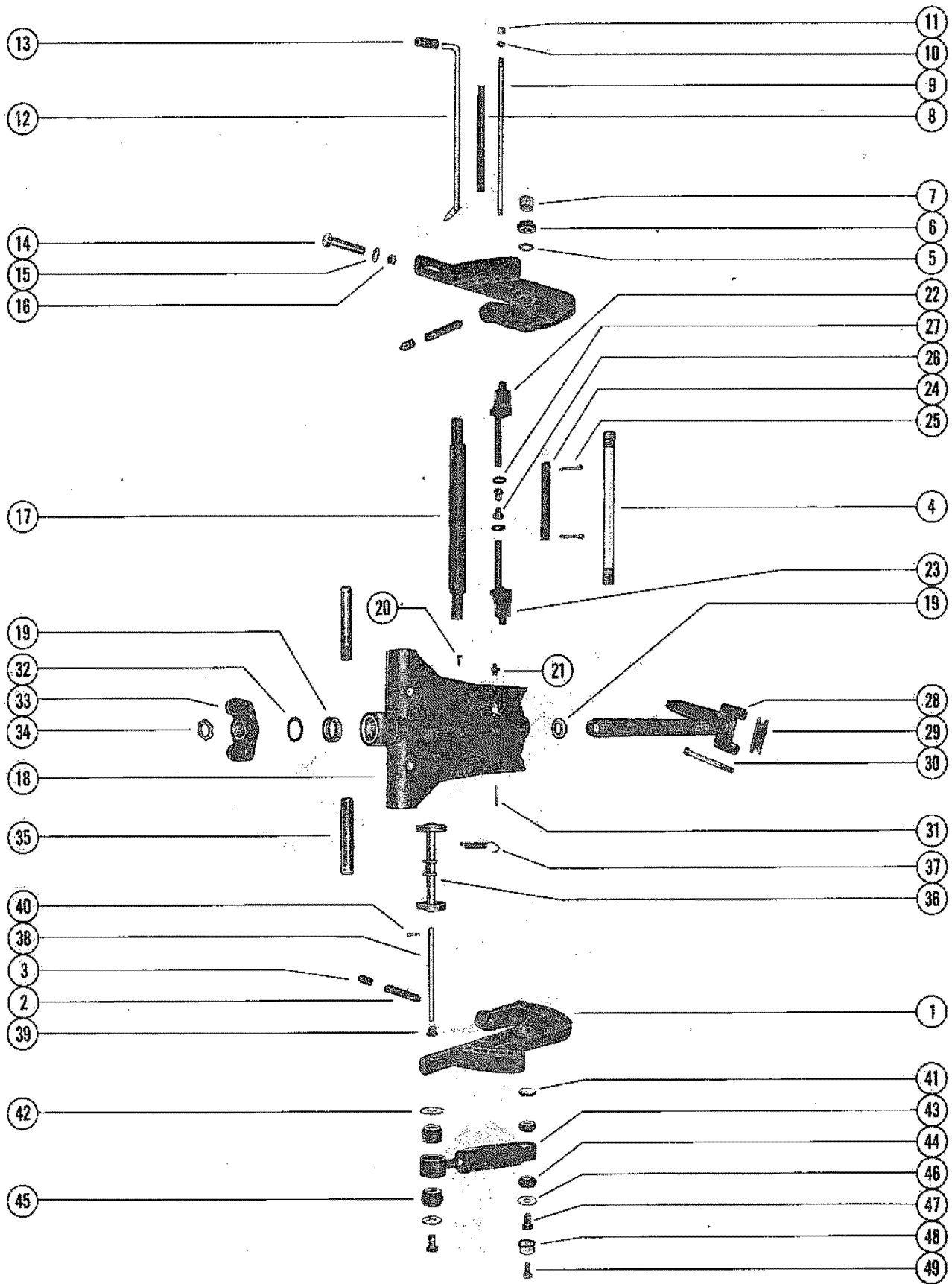


CLAMP AND SWIVEL BRACKET ASSEMBLY (G2)

REF. NO.	PART NO.	SYM.	QTY.	DESCRIPTION
1	1440-6044A2		2	CLAMP BRACKET ASSEMBLY
2	10-73649A1		2	THUMB SCREW ASSEMBLY
3	75043		2	CAP, THUMB SCREW
4	30664		1	TUBE, TILT-CLAMP BRACKET TO SWIVEL BRACKET
5	12-52864		2	WASHER, CLAMP BRACKET TILT TUBE
6	11-30499		2	NUT, TILT TUBE FASTENING
7	53078		2	CAP, PLASTIC -TILT TUBE
8	23-59624		1	SPACER, CLAMP BRACKET STUD
9	16-59625		1	STUD, CLAMP BRACKET (9 1/2")
10	13-26993		2	LOCKWASHER, CLAMP BRACKET STUD
11	11-28770		2	NUT, CLAMP BRACKET STUD
12	17-49930A1		1	TILT LOCK PIN ASSEMBLY
13	32-28052		1	SLEEVE, RUBBER-TILT LOCK PIN BUMPER
14	10-68298		2	BOLT, CLAMP BRACKET TO BOAT TRANSOM (3 1/4")
15	12-68410		2	WASHER, CLAMP BRACKET BOLT
14	10-68299		2	BOLT, CLAMP BRACKET TO BOAT TRANSOM (3")
15	12-68300		2	WASHER, CLAMP BRACKET BOLT
16	11-68411		4	NUT, CLAMP BRACKET BOLT
17	55-28416		1	PIN, UPPER SHOCK MOUNTING
18	1472-6076A1		1	SWIVEL BRACKET ASSEMBLY (SHORT SHAFT)
	1473-6078A1		1	SWIVEL BRACKET ASSEMBLY (LONG SHAFT)
19	26-32911		3	OIL SEAL, SWIVEL BRACKET
20	10-47828		1	SCREW, DRIVE-SWIVEL BRACKET
21	22-74036		3	FITTING, GREASE
22	47799A1		1	TILT LOCK ASSEMBLY, STARBOARD
23	47800A1		1	TILT LOCK ASSEMBLY, PORT
24	47802		1	TUBE, TILT LOCK
25	18-47959		2	COTTER PIN, TILT LOCK
26	23-71574		2	BUSHING, TILT LOCK TUBE
27	13-69150		2	WASHER, WAVE-TILT LOCK TUBE
28	69540A1		1	SWIVEL PIN AND STEERING ARM ASSEMBLY (SHORT SHAFT)
	69540A2		1	SWIVEL PIN AND STEERING ARM ASSEMBLY (LONG SHAFT)
29	30711		1	BUMPER, STEERING ARM
30	10-66897		2	BOLT, UPPER MOUNT TO SWIVEL PIN (7/16 X 5 1/4")
31	17-25598		1	PIN, REVERSE LOCK SPRING ATTACHING
32	12-25176		1	WASHER, SWIVEL PIN TO BOTTOM YOKE (.062)
	12-26837		AR	WASHER, SWIVEL PIN TO BOTTOM YOKE (.065)
33	69654		1	YOKE, BOTTOM
34	11-71956		1	NUT, SWIVEL PIN RETAINING
35	55-69653		2	PIN, LOWER SHOCK MOUNTING
36	70691		1	REVERSE LOCK
37	24-29821		1	SPRING, REVERSE LOCK TENSION
38	56349		1	SHAFT, REVERSE LOCK PIVOT

CONTINUED ON NEXT PAGE ➡

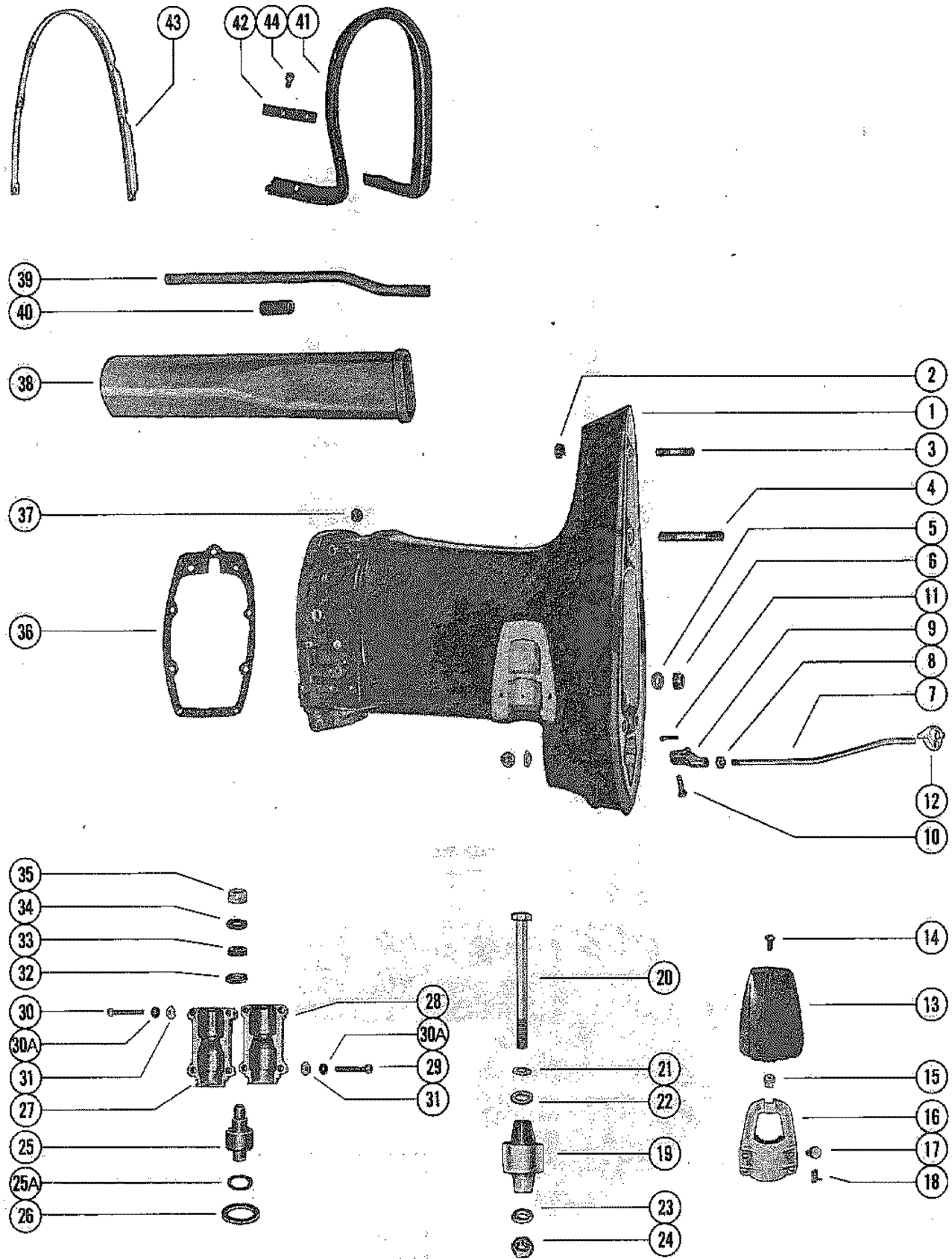
CLAMP AND SWIVEL BRACKET ASSEMBLY (G2)



CLAMP AND SWIVEL BRACKET ASSEMBLY (G2)

REF. NO.	PART NO.	SYM.	QTY.	DESCRIPTION
39	23-69132		2	BUSHING, REVERSE PIVOT SHAFT
40	18-45882		1	COTTER PIN, REVERSE LOCK TO SHAFT
41	23-73203		2	SPACER, UPPER SHOCK BUSHING TO CLAMP BRACKET
42	12-59378		2	WASHER, LOWER BUSHING RETAINER (INNER)
43	55-58780A2		2	SHOCK ABSORBER
44	23-32171		4	BUSHING, RUBBER-SHOCK ABSORBER (UPPER)
45	23-28198		4	BUSHING, RUBBER-SHOCK ABSORBER (LOWER)
46	12-28421		4	WASHER, UPPER AND LOWER BUSHING RETAINER (OUTER)
47	10-53077		4	SCREW, UPPER AND LOWER SHOCK MOUNTING PIN (3/4")
48	70679		4	COVER, UPPER AND LOWER SHOCK MOUNTING PIN
49	10-37655		4	SCREW, COVER TO SHOCK MOUNTING SCREWS (1/2")

DRIVE SHAFT HOUSING ASSEMBLY (G4)

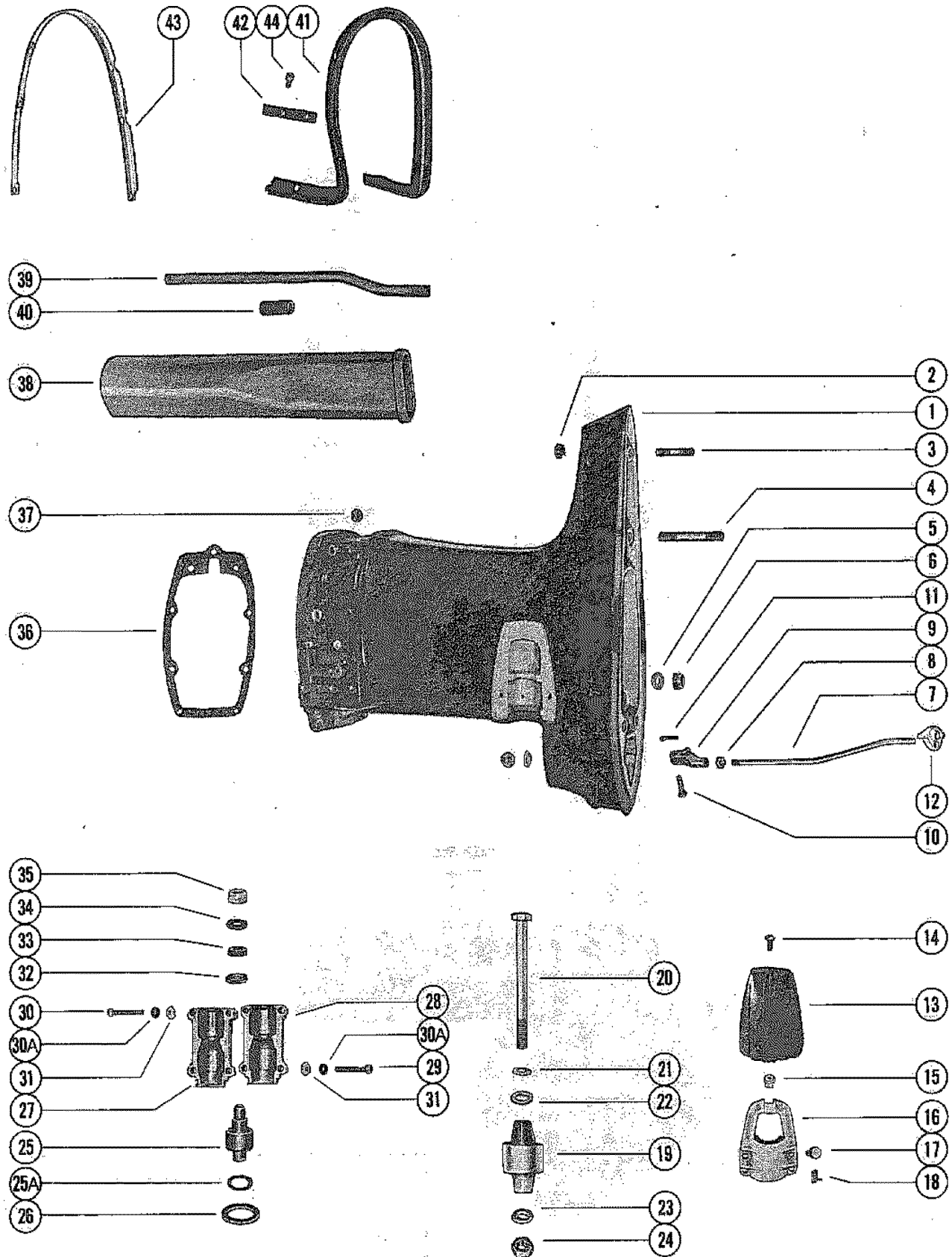


DRIVE SHAFT HOUSING ASSEMBLY (G4)

REF. NO.	PART NO.	SYM.	QTY.	DESCRIPTION
1	1554-4813A2		1	DRIVE SHAFT HOUSING ASSEMBLY (SHORT SHAFT)
	1564-4812A2		1	DRIVE SHAFT HOUSING ASSEMBLY (LONG SHAFT)
2	19-64649		1	PLUG, PLASTIC-TRIM TAB SCREW HOLE
3	16-57932		1	STUD, DRIVE SHAFT HOUSING TO GEAR HOUSING (1 3/4")
4	16-57935		1	STUD, DRIVE SHAFT HOUSING TO GEAR HOUSING (3")
5	12-65791		2	WASHER, GEAR HOUSING TO DRIVE SHAFT HOUSING STUDS
6	11-34933		2	NUT, GEAR HOUSING TO DRIVE SHAFT HOUSING STUDS (7/16")
7	47835		1	ROD, PUSH-REVERSE LOCK (SHORT SHAFT)
	47836		1	ROD, PUSH-REVERSE LOCK (LONG SHAFT)
8	11-28770		1	NUT, JAM-PUSH ROD
9	47837		1	ROD END, PUSH ROD
10	17-39023		1	PIN, PUSH ROD TO REVERSE LOCK
11	18-25191		1	COTTER PIN, PUSH ROD PIN
12	75105		1	GUIDE, PUSH ROD
13	35474		2	COVER, LOWER MOUNT CLAMP
14	10-29722		2	SCREW, COVER TO LOWER MOUNT CLAMP (5/8")
15	11-35521		2	NUT, LOWER MOUNT CLAMP COVER
16	69592		2	CLAMP, LOWER MOUNT TO DRIVE SHAFT HOUSING
17	10-29256		4	SCREW, LOWER MOUNT CLAMP TO DRIVE SHAFT HOUSING (7/8")
18	24-35522		4	SPRING, TENSION-LOWER MOUNT CLAMP
19	37395		2	MOUNT, RUBBER-LOWER
20	10-49318		2	SCREW, LOWER MOUNT (5 1/2")
21	12-28051		2	WASHER, MOUNT SCREW
22	12-28053		2	WASHER, RUBBER-LOWER MOUNT SCREW
23	12-61709		2	WASHER, LOWER MOUNT SCREW
24	11-25096		2	NUT, LOWER MOUNT SCREW
25	66883		2	MOUNT, RUBBER-UPPER
25A	25-65936		2	"O"RING, UPPER MOUNT
26	24929		2	PACKING, "U" CUP-UPPER MOUNT SCREW
27	24935		2	COVER, UPPER MOUNT-OUTSIDE HALF
28	31120		2	COVER, UPPER MOUNT-INSIDE HALF
29	10-71959		4	SCREW, UPPER MOUNT COVER-REAR (1 1/2")
30	10-71958		4	SCREW, UPPER MOUNT COVER-FRONT (1 3/4")
30A	12-29245		8	WASHER, UPPER MOUNT COVER SCREW
31	11-36069		8	NUT, UPPER MOUNT COVER SCREW
32	12-27727		2	WASHER, UPPER MOUNT BOLT (4/16 ID)
33	12-66966		2	WASHER, RUBBER- UPPER MOUNT BOLT
34	12-30514		2	WASHER, UPPER MOUNT BOLT (7/16 ID)
33	12-66966		2	WASHER, RUBBER-UPPER MOUNT BOLT
34	12-30514		2	WASHER, UPPER MOUNT BOLT (7/16 ID)
35	11-34933		2	NUT, UPPER MOUNT BOLT

CONTINUED ON NEXT PAGE ➡

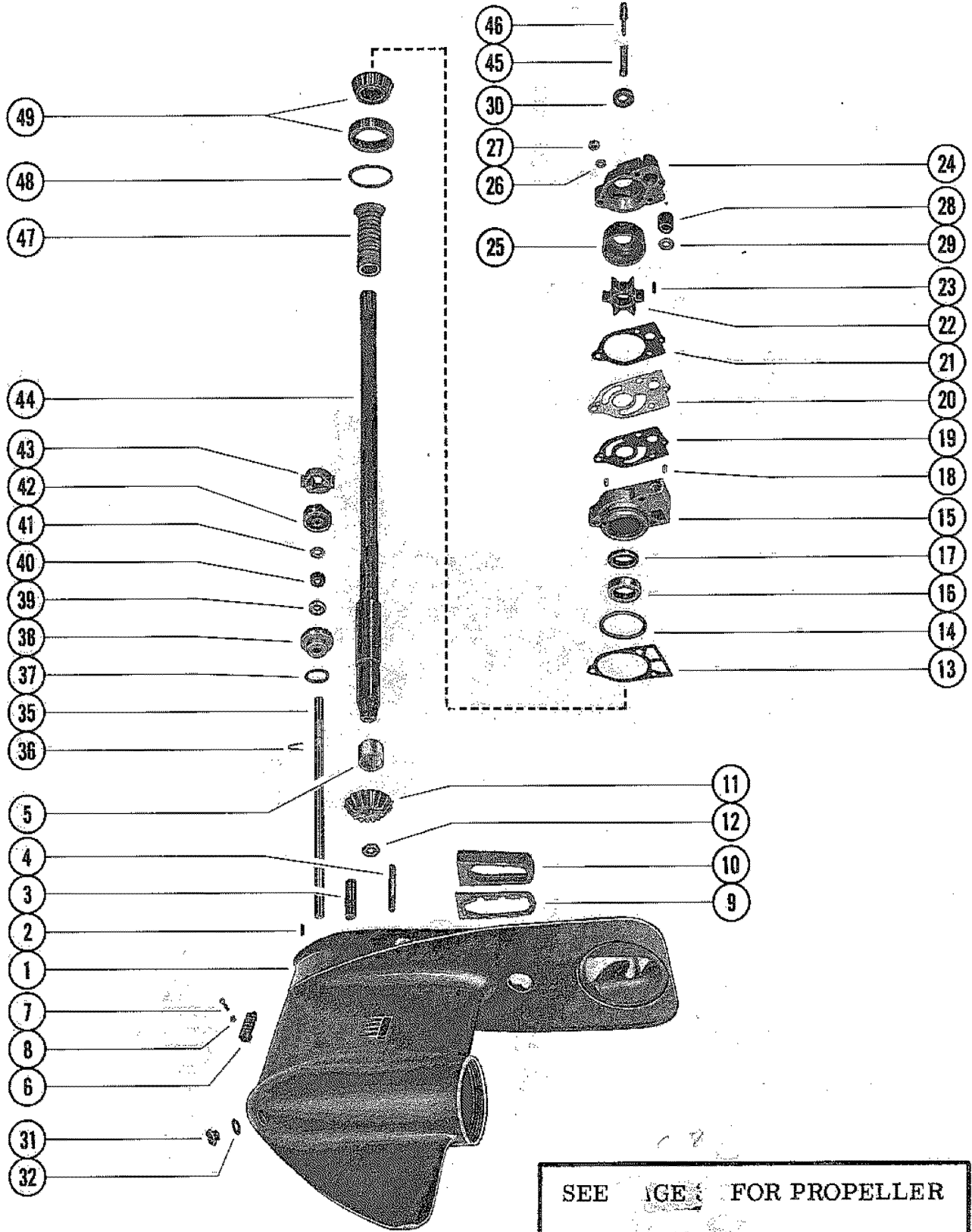
DRIVE SHAFT HOUSING ASSEMBLY (G4)



DRIVE SHAFT HOUSING ASSEMBLY (G4)

REF. NO.	PART NO.	SYM.	QTY.	DESCRIPTION
36	27-38501		1	GASKET, EXHAUST EXTENSION PLATE TO DRIVE SHAFT HOUSING
37	11-64809		8	NUT, POWERHEAD TO DRIVE SHAFT HOUSING STUDS (5/16")
38	69543		1	TUBE, EXHAUST (SHORT SHAFT)
	69544		1	TUBE, EXHAUST (LONG SHAFT)
39	32-37727		1	TUBE, WATER INLET (SHORT SHAFT)
	32-45679		1	TUBE, WATER INLET (LONG SHAFT)
40	23-23651		1	SLEEVE, WATER INLET TUBE
41	38157		1	SEAL, TRIM COVER TO DRIVE SHAFT HOUSING
42	38154		2	STRIP, RETAINING-TRIM COVER SEAL (SIDE)
43	38158		1	STRIP, RETAINING-TRIM COVER SEAL (REAR)
44	10-48408		10	SCREW, RETAINING STRIP TO DRIVE SHAFT HOUSING (SELF TAPPING)

GEAR HOUSING ASSEMBLY, COMPLETE (G6)



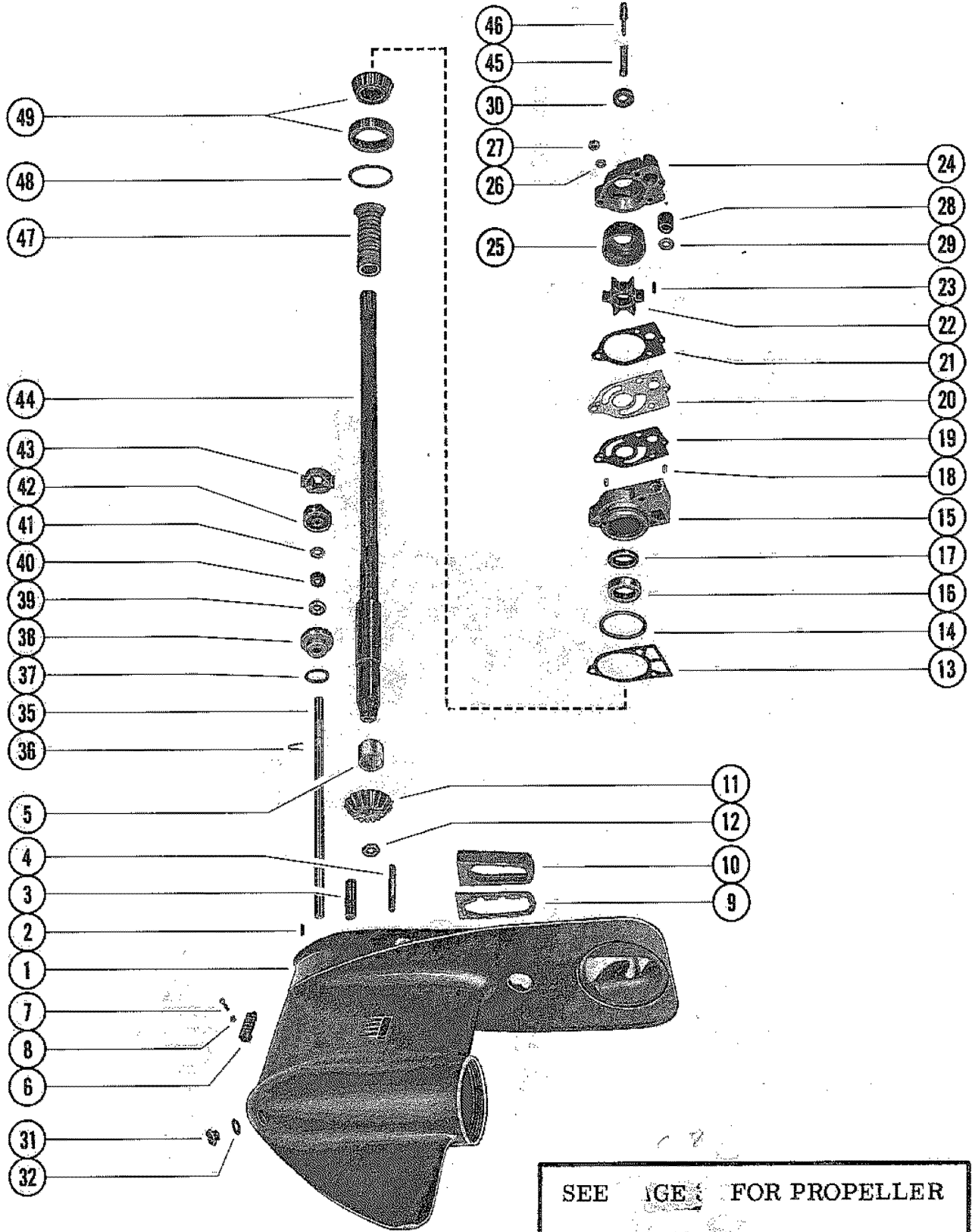
SEE PAGE FOR PROPELLER
SHAFT AND COMPONENT PARTS

GEAR HOUSING ASSEMBLY, COMPLETE (G6)

REF. NO.	PART NO.	SYM.	QTY.	DESCRIPTION
-	1643-6038A9		1	GEAR HOUSING ASSEMBLY, COMPLETE (SHORT SHAFT)-SEE FOOTNOTE
-	1643-6038A10		1	GEAR HOUSING ASSEMBLY, COMPLETE (LONG SHAFT) -SEE FOOTNOTE
1	1643-6038A6		1	GEAR HOUSING ASSEMBLY
2	17-21438		2	PIN, DOWEL-GEAR HOUSING
3	16-33778		3	STUD, WATER PUMP BODY/BASE TO GEAR HOUSING (2 5/8")
4	16-57933		2	STUD, GEAR HOUSING TO DRIVE SHAFT HOUSING (2 3/16")
5	31-62091		1	BEARING, ROLLER-DRIVE SHAFT
6	72849A1		1	SCREEN ASSEMBLY, PORT AND STARBOARD (SHORT SHAFT)
	63850		1	SCREEN, WATER INTAKE-STARBOARD -LONG SHAFT
	63851		1	SCREEN, WATER INTAKE-PORT -LONG SHAFT
7	10-36070		1	SCREW, SCREENS TO GEAR HOUSING (1 1/4")
8	11-45812		1	NUT, SCREEN TO GEAR HOUSING SCREW
9	38071		1	PLATE, SUPPORT-EXHAUST TUBE SEAL
10	37721		1	SEAL, EXHAUST TUBE
11	43-60245		1	GEAR, PINION-DRIVE SHAFT
12	11-55910		1	NUT, PINION GEAR TO DRIVE SHAFT
13	27-32771		1	GASKET, WATER PUMP BASE TO GEAR HOUSING
14	25-26855		1	"O"RING, WATER PUMP BASE
15	46-73640A1		1	WATER PUMP BASE ASSEMBLY
16	26-26782		1	OIL SEAL, WATER PUMP BASE
17	26-23300		1	OIL SEAL, WATER PUMP BASE
18	17-35973		2	DOWEL PIN, WATER PUMP BASE TO WATER PUMP BODY
19	27-32769		1	GASKET, LOWER-WATER PUMP BASE TO FACE PLATE
20	54705		1	PLATE, FACE-WATER PUMP BASE TO WATER PUMP BODY
21	27-32770		1	GASKET, UPPER-FACE PLATE TO WATER PUMP BODY
22	47-65959		1	IMPELLER, WATER PUMP
23	28-56662		1	KEY, IMPELLER DRIVE
24	46-48746A1		1	WATER PUMP BODY ASSEMBLY
25	48753		1	INSERT, WATER PUMP BODY
26	12-29245		3	WASHER, WATER PUMP BODY AND BASE STUDS
27	11-36069		3	NUT, WATER PUMP BODY AND BASE STUDS
28	26-38452		1	SEAL, WATER PUMP BODY TO WATER TUBE
29	12-38453		1	WASHER, CUPPED-WATER TUBE SEAL
30	25-20273		1	RING, RUBBER-CENTRIFUGAL SLINGER
31	10-28634		2	SCREW, GREASE FILLER AND VENT HOLE
32	12-20260		2	WASHER, GREASE FILLER AND VENT HOLE SCREW
35	69787A1		1	SHAFT ASSEMBLY, SHIFT-LOWER
36	53-29641		1	CLIP, RETAINING-SHIFT SHAFT
37	25-25439		1	"O"RING, SHIFT SHAFT BUSHING

CONTINUED ON NEXT PAGE ➡

GEAR HOUSING ASSEMBLY, COMPLETE (G6)

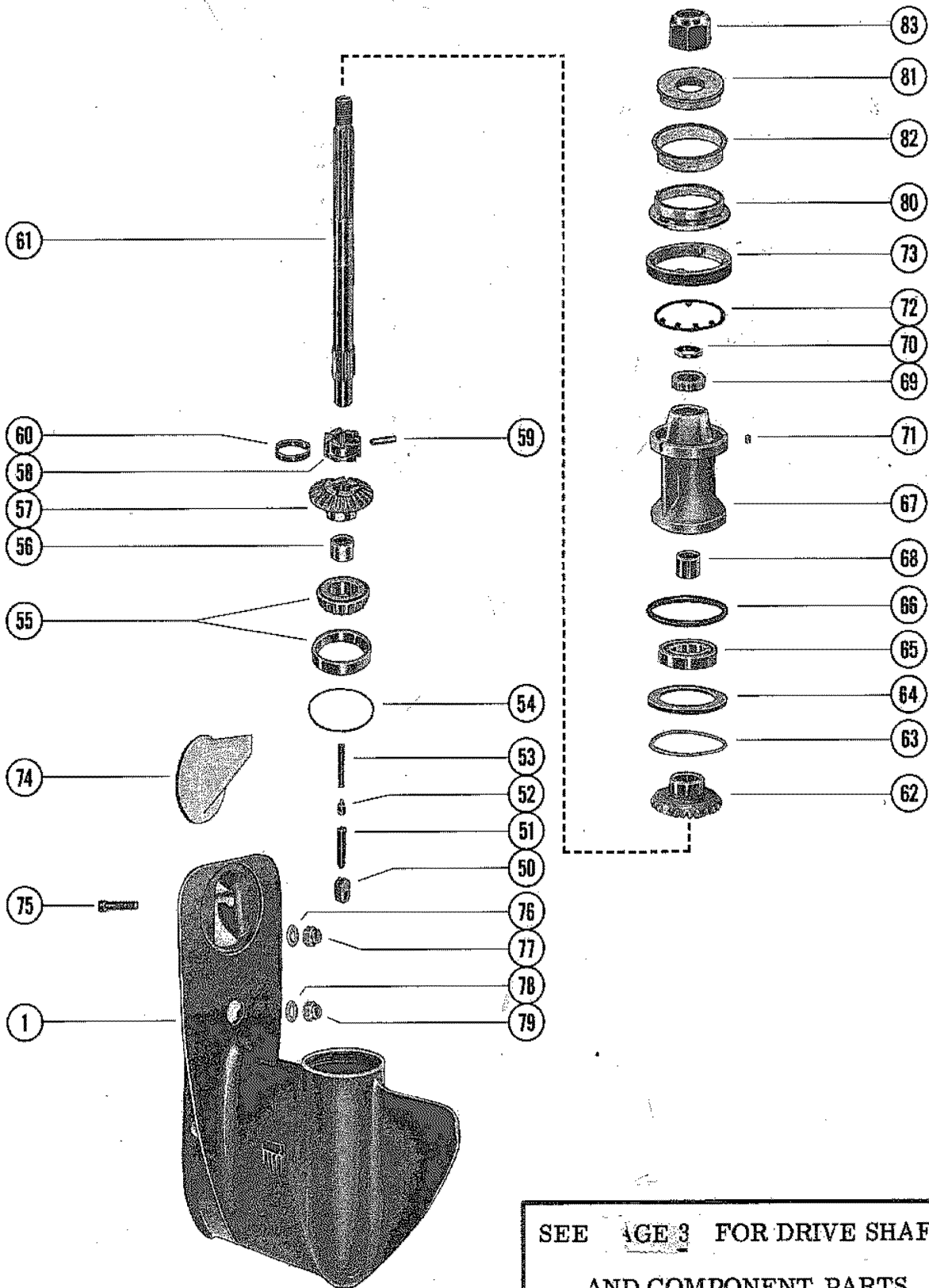


SEE PAGE FOR PROPELLER
SHAFT AND COMPONENT PARTS

GEAR HOUSING ASSEMBLY, COMPLETE (G6)

REF. NO.	PART NO.	SYM.	QTY.	DESCRIPTION
38	23-55419A1		1	BUSHING ASSEMBLY, SHIFT SHAFT
39	26-24590		1	OIL SEAL, SHIFT SHAFT BUSHING (LOWER)
40	26-31249		1	OIL SEAL, SHIFT SHAFT BUSHING (UPPER)
41	12-31266		1	WASHER, RUBBER-SHIFT SHAFT BUSHING
42	39019		1	BASE, LOWER-REVERSE LOCKING
43	69542		1	CAM, REVERSE LOCKING
44	45-69164A2		1	DRIVE SHAFT ASSEMBLY (SHORT SHAFT)
	45-69165A2		1	DRIVE SHAFT ASSEMBLY (LONG SHAFT)
45	24-20254		1	SPRING, COMPRESSION-DRIVE SHAFT
46	17-30545		1	PIN, DRIVE SHAFT
47	23-60242		1	SLEEVE, LUBRICATION-DRIVE SHAFT
48	15-20929A1		AR	SHIM, BEARING TO GEAR HOUSING (.002-3-5-10)
49	31-38146A1		1	ROLLER BEARING ASSEMBLY, TAPERED-DRIVE SHAFT

GEAR HOUSING ASSEMBLY, COMPLETE (G8)



GEAR HOUSING ASSEMBLY, COMPLETE (G8)

REF. NO.	PART NO.	SYM.	QTY.	DESCRIPTION
-	1643-6038A9		1	GEAR HOUSING ASSEMBLY, COMPLETE (SHORT SHAFT)-SEE FOOTNOTE
-	1643-6038A10		1	GEAR HOUSING ASSEMBLY, COMPLETE (LONG SHAFT) -SEE FOOTNOTE
1	1643-6038A6		1	GEAR HOUSING ASSEMBLY (SEE G6 FOR BREAKDOWN)
50	69792		1	CAM SHIFT
51	38441		1	FOLLOWER, CAM
52	20843		1	SLIDE, CROSS PIN
53	24-39845		1	SPRING, COMPRESSION-CAM FOLLOWER
54	15-38374A1		AR	SHIM, BEARING CUP TO GEAR HOUSING (.002-3-5-10)
55	31-38356A1		1	TAPERED ROLLER BEARING ASSEMBLY
56	31-21739		1	BEARING, ROLLER-FOWARD GEAR
57	43-60247		1	FORWARD GEAR ASSEMBLY
	43-60247		1	FORWARD GEAR ASSEMBLY
58	52-47586		1	RATCHET, SLIDING CLUTCH
59	17-38113		1	PIN, CROSS-RATCHET TO PROPELLER SHAFT
60	24-38114		1	SPRING, RETAINING-CROSS PIN
61	44-55911		1	SHAFT, PROPELLER
62	43-66555		1	REVERSE GEAR ASSEMBLY
63	15-20927A1		AR	SHIM, THRUST WASHER TO GEAR HOUSING (.002-3-5-10)
64	12-32004		1	WASHER, THRUST-REVERSE GEAR
65	30-20839		1	BEARING, BALL-REVERSE GEAR
66	25-31986		1	"O"RING, BEARING CARRIER
67	69386A1		1	BEARING CARRIER ASSEMBLY
68	31-21700		1	BEARING, ROLLER-BEARING CARRIER
69	26-69188		1	OIL SEAL, BEARING CARRIER
70	26-69189		1	OIL SEAL, BEARING CARRIER-LINE CUTTER
71	28-30281		1	KEY, LOCATING-BEARING CARRIER
72	14-53012		1	TAB WASHER, GEAR HOUSING COVER
73	53013		1	COVER, GEAR HOUSING
74	31640A1		1	TRIM TAB ASSEMBLY, GEAR HOUSING
75	10-66024		1	SCREW, TRIM TAB TO GEAR HOUSING (1 3/4")
76	12-45175		1	WASHER, DRIVE SHAFT HOUSING STUD (3/8")
77	11-34863		1	NUT, DRIVE SHAFT HOUSING TO GEAR HOUSING (3/8")
78	12-65791		1	WASHER, DRIVE SHAFT HOUSING STUD (7/16")
79	11-34933		1	NUT, DRIVE SHAFT HOUSING TO GEAR HOUSING (7/16")
80	65758		1	THRUST HUB, PROPELLER
81	62124A1		1	THRUST HUB ASSEMBLY, REAR
82	12-31992		1	WASHER, CUPPED-THRUST HUB
83	11-69578		1	NUT, PROPELLER

PARTS INDEX

Part Number	Description	Pg.	Ref. No.	Part Number	Description	Pg.	Ref. No.
20843	SLIDE, CROSS PIN	43	52	47800A1	TILT LOCK ASSEMBLY, PORT	31	23
22833	ADAPTOR, CHECK UNIT (FUEL PUMP)	19	21	47802	TUBE, TILT LOCK	31	24
23004	RETAINER, CHECK VALVE	19	6	47835	ROD, PUSH-REVERSE LOCK (SHORT SHAFT)	35	7
23069	STEM, CHECK UNIT ADAPTOR	19	22	47836	ROD, PUSH-REVERSE LOCK (LONG SHAFT)	35	7
24929	PACKING, "U" CUP-UPPER MOUNT SCREW	35	26	47837	ROD END, PUSH ROD	35	9
24935	COVER, UPPER MOUNT-OUTSIDE HALF	35	27	48039	CAP, SPARK ADVANCE ADJUSTING SCREW	11	24
26113	RACE, OUTER (PAIR)	25	16	48753	INSERT, WATER PUMP BODY	39	25
26901	STOP, RUBBER-REAR SUPPORT BRACKET	5	14	49651A1	GROUND STRAP ASS'Y, EXHAUST PLATE TO REAR COWL SUPPORT	27	32
30188	CUP WASHER, ADAPTOR	19	25	52023	CAP, ADJUSTING SCREW	11	15
30664	TUBE, TILT-CLAMP BRACKET TO SWIVEL BRACKET	31	4	52023	CAP, ADJUSTING SCREW	11	27
30711	BUMPER, STEERING ARM	31	29	52100	WEAR PLATE, NYLON-LINK	27	5
31120	COVER, UPPER MOUNT-INSIDE HALF	35	28	53013	COVER, GEAR HOUSING	43	73
31640A1	TRIM TAB ASSEMBLY, GEAR HOUSING	43	74	53078	CAP, PLASTIC -TILT TUBE	31	7
35474	COVER, LOWER MOUNT CLAMP	35	13	53665	INSERT, THROTTLE SHAFT COUPLING	15	18
37395	MOUNT, RUBBER-LOWER	35	19	54705	PLATE, FACE-WATER PUMP BASE TO WATER PUMP BODY	39	20
37721	SEAL, EXHAUST TUBE	39	10	55278A1	DIAPHRAGM KIT	19	3
37896	GUIDE BLOCK, LINK	27	4	56074A2	PLUNGER ASSEMBLY, CHOKE SOLENOID	15	6
38071	PLATE, SUPPORT-EXHAUST TUBE SEAL	39	9	56349	SHAFT, REVERSE LOCK PIVOT	31	38
38154	STRIP, RETAINING-TRIM COVER SEAL (SIDE)	37	42	56703	COLLAR, RUBBER-STARTER MOUNT	13	20
38157	SEAL, TRIM COVER TO DRIVE SHAFT HOUSING	37	41	57247	STOP, RUBBER- STARTER MOTOR	13	14
38158	STRIP, RETAINING-TRIM COVER SEAL (REAR)	37	43	58908	BRACKET, ANCHOR-CONTROL CABLES	27	1
38279	LATCH, LINK TO ANCHOR BRACKET	27	6	58911	EXHAUST TUBE, ADAPTOR	29	37
38441	FOLLOWER, CAM	43	51	59071	COVER, FILTER	19	34
38500	RETAINER, WATER INLET TUBE SEAL	27	26	60114A1	BRACKET ASSEMBLY, WIRING HARNESS	13	26
39019	BASE, LOWER-REVERSE LOCKING	41	42	60116	BRACE, REAR COWL SUPPORT BRACKET (TOP)	5	15
39483	LATCH, THROTTLE CONTROL LEVER (THROTTLE CABLE)	11	28	60283A1	LINK ASSEMBLY, SHIFT SHAFT AND ANCHOR BRACKET	27	2
39519	CUP, RETAINER-ANCHOR BRACKET	27	14	60292A1	COUPLING ASSEMBLY	15	17
39618	LEVER, NYLON-SHIFT CABLE LOCKING	27	15	60306	STRIP, RETAINING-EXHAUST PLATE SEAL	27	29
39667	COVER, NYLON-SHIFT CABLE	27	18	60307	SEAL, EXHAUST PLATE	27	28
46265	BOOT, TERMINAL-STARTER SOLENOID	13	10	60549A3	CHOKE SOLENOID	15	1
46785A2	COWL LATCH ASSEMBLY	3	14	60568	LEVER, THROTTLE	15	15
46933A6	WIRE ASSEMBLY, SWITCH BOX SCREW	9	13	60570	PLATE, RETAINER-ACTUATOR HOUSING	11	5
47341A1	STARTER ROPE ASSEMBLY (FOR MANUAL STARTING ONLY)	3	26	60834A3	CARRIER ASSEMBLY, "O"RING	25	4
				61158	HOOK, COWL FRONT COVER FASTENING	3	24
				61990	STA-STRAP, MERCURY SWITCH LEAD	23	29

PARTS INDEX

Part Number	Description	Pg.	Ref. No.	Part Number	Description	Pg.	Ref. No.
62124A1	THRUST HUB ASSEMBLY, REAR	43	81	69568	BRACKET, COWL HINGE	3	7
62351A1	RECTIFIER ASSEMBLY	13	1	69579	PLATE, BAFFLE-EXHAUST MANIFOLD	23	18
62444	SEAL, RUBBER-TOP BRACKET AND COVER MOUNTING PLATE	5	2	69592	CLAMP, LOWER MOUNT TO DRIVE SHAFT HOUSING	35	16
62627	BAR, ADJUSTMENT-COWL LATCH	3	17	69654	YOKE, BOTTOM	31	33
62628	BARREL, COWL LATCH	3	15	69787A1	SHAFT ASSEMBLY, SHIFT-LOWER	39	35
62629	BARREL, COWL LATCH	3	18	69792	CAM SHIFT	43	50
62973A4	FUEL PUMP ASSEMBLY	19	1	69876--1	SEAL, REAR BRACKET	3	6
63007	MOUNT, RUBBER- FRONT SUPPORT BRACKET TO BRACKET	5	17	69876--1	SEAL, REAR BRACKET AND TOP BRACKET	5	10
63007	MOUNT, RUBBER-BRACE TO REAR SUPPORT BRACKET	5	11	70679	COVER, UPPER AND LOWER SHOCK MOUNTING PIN	33	48
63007	MOUNT, RUBBER-EXHAUST PLATE TO REAR COWL SUPPORT	27	31	70691	REVERSE LOCK	31	36
63007	MOUNT, RUBBER-FRONT SUPPORT TO STARTER MOTOR COVER	5	34	71090	SEAL, CARBURETOR PLATE	15	22
63850	SCREEN, WATER INTAKE-STARBOARD -LONG SHAFT	39	6	71092A1	PLATE ASSEMBLY, CARBURETOR	15	21
63851	SCREEN, WATER INTAKE-PORT -LONG SHAFT	39	6	71097	BRACKET, RUBBER MOUNT	5	20
64254	"O" RING, CARRIER	25	5	72849A1	SCREEN ASSEMBLY, PORT AND STARBOARD (SHORT SHAFT)	39	6
64877	DIAPHRAGM, POPPET VALVE	23	6	72956	COVER, SOUND ATTENUATOR (FRONT)	5	42
65409	POPPET, RELIEF VALVE	23	4	73156	SEAL, WATER INLET TUBE	27	24
65758	THRUST HUB, PROPELLER	43	80	73206	COVER, STARTER MOTOR TO CRANKCASE (TOP)	21	11
65799	LINK, LOCKING LEVER TO COVER	27	17	73216	COVER, TRANSFER PASSAGE	23	9
65848	CARRIER, GROMMET	23	2	73217	INDICATOR, TIMING	21	18
65913	HOUSING, NYLON-THROTTLE ACTUATOR	11	1	73218	COVER, IGNITION COIL	9	20
66850	THERMOSTAT	23	19	73334	CAM, NYLON-THROTTLE ACTUATOR	11	2
66883	MOUNT, RUBBER-UPPER	35	25	73346	COVER, STARTER MOTOR TO CRANKCASE (BOTTOM)	21	8
68162A3	TRIGGER PLATE ASSEMBLY	9	24	73439	PLATE, MOUNTING-IGNITION COIL	9	17
69205	"C"WASHER, BLEED HOSE CLIP	23	35	73625	ATTENUATOR, SOUND	5	22
69386A1	BEARING CARRIER ASSEMBLY	43	67	73627	PLATE, SWITCH	9	7
69540A1	SWIVEL PIN AND STEERING ARM ASSEMBLY (SHORT SHAFT)	31	28	73641A1	BRACKET, COWL SUPPORT-TOP	5	1
69540A2	SWIVEL PIN AND STEERING ARM ASSEMBLY (LONG SHAFT)	31	28	73712A3	EXHAUST PLATE ASSEMBLY	27	21
69542	CAM, REVERSE LOCKING	41	43	73755A1	CHOKE KNOB ASSEMBLY	15	8
69543	TUBE, EXHAUST (SHORT SHAFT)	37	38	73783	SWIVEL, LINK ROD TO SPARK ADVANCE LEVER	11	34
69544	TUBE, EXHAUST (LONG SHAFT)	37	38	73783	SWIVEL, LINK ROD TO THROTTLE CONTROL LEVER	11	8
69555	NOZZLE, TELL TALE-REAR SUPPORT BRACKET	19	14	73986	AIR MANIFOLD	5	30
69566	BRACKET, COWL SEALING-REAR	3	5	74164	ROD, LINK-THROTTLE	11	7
				74212	ROD, LINK-SPARK ADVANCE	11	33
				74214	COVER, EXHAUST MANIFOLD	23	22
				74304	LEVER, THROTTLE CONTROL	11	12
				74402	LEVER, SPARK ADVANCE	11	20

PARTS INDEX

Part Number	Description	Pg.	Ref. No.	Part Number	Description	Pg.	Ref. No.
74510A2	BRACKET, COWL SUPPORT-REAR	5	9	10-28635	SCREW, COVER PLATE TO SUPPORT BRACKET (5/8")	7	50
74897	BARREL, LINK ROD TO STATOR	11	32	10-28636	SCREW, EXHAUST TUBE TO EXHAUST PLATE (3/4")	29	39
75007A3	SHIFT SHAFT ASSEMBLY, UPPER (SHORT SHAFT)	27	9	10-28667	SCREW, CYLINDER BLOCK COVER MOUNTING (1 1/8")	23	14
75008A3	SHIFT SHAFT ASSEMBLY, UPPER (LONG SHAFT)	27	9	10-28782	SCREW, PIN TO COWL (7/8")	3	12
75043	CAP, THUMB SCREW	31	3	10-29256	SCREW, LOWER MOUNT CLAMP TO DRIVE SHAFT HOUSING (7/8")	35	17
75105	GUIDE, PUSH ROD	35	12	10-29722	SCREW, COVER TO LOWER MOUNT CLAMP (5/8")	35	14
75165	BLANKET, SOUND ABSORBING-FRONT COVER	3	23	10-31206	SCREW, TELL TALE CLAMP	19	16
75805	CAP, HINGE BRACKET SCREW (UPPER)	3	8A	10-31312	SCREW, LATCH ASSEMBLY TO BARREL (7/8")	3	16
75841	COVER, MANUAL CHOKE	5	27	10-32228	SCREW, FILTER COVER FASTENING (5/8")	19	35
76076A1	CHOKE ROD	15	7	10-32417	SCREW, FLEXIBLE PLATE TO FLYWHEEL (5/8")	9	6
76218	COVER, TOP-SOUND ATTENUATOR	5	23	10-33524	SCREW, CHOKE SOLENOID ATTACHING (5/8")	15	4
76219	SHIELD FLYWHEEL	5	6	10-34633	SCREW, AIR MANIFOLD TO SOUND ATTENUATOR	5	31
76221	BASE, FUEL FILTER AND COVER	19	29	10-35385	SCREW, CRANKCASE TO CYLINDER BLOCK (1 3/4")	21	13
76251A1	PLATE ASSEMBLY, FRONT COVER MOUNTING	7	47	10-35581	SCREW, PUMP MOUNTING (1 5/8")	19	8
76263	CLIP, TOP COWL SUPPORT BRACKET	5	3	10-36070	SCREW, SCREENS TO GEAR HOUSING (1 1/4")	39	7
76264	LATCH, FRONT COVER ATTACHING	7	48	10-36154	SCREW, ADAPTOR TO SOUND ATTENUATOR (1 3/8")	19	26
10-20031	SCREW, CLAMP TO CRANKCASE (1/2")	9	26	10-37562	SCREW, EXHAUST PLATE PLATE TO CYLINDER BLOCK (1")	29	35
10-20362	SCREW, CRANKCASE TO CYLINDER BLOCK (1 1/2")	21	14	10-37571	SCREW, FRONT COVER TO SOUND ATTENUATOR (1/2")	7	45
10-20362	SCREW, STARTER MOTOR COVER TO CRANKCASE (2")	21	9	10-37571	SCREW, HOUSING TO CRANKCASE (1/2")	11	3
10-20367	SCREW, PLATE TO CARBURETOR (7/16")	15	25	10-37571	SCREW, TOP COVER TO SOUND ATTENUATOR (1/2")	5	25
10-22039	SCREW, CRANKCASE TO CYLINDER BLOCK (2 3/4")	21	15	10-37655	SCREW, COVER TO SHOCK MOUNTING SCREWS (1/2")	33	49
10-22486	SCREW, LATCH TO THROTTLE CONTROL LEVER (7/8")	11	29	10-37655	SCREW, MERCURY SWITCH TO CRANKCASE (1/2")	23	27
10-22698	SCREW, FILTER BASE TO TRANSFER PASSAGE COVER (1 1/4")	19	30	10-37656	SCREW, SHIELD TO TOP SUPPORT BRACKET (5/8")	5	7
10-22698	SCREW, STARTER MOTOR COVER TO CRANKCASE (1 3/4")	21	10	10-37978	SCREW, COVER TO TOP COVER	5	28
10-24878	SCREW, SUPPORT BRK. BRACE TO CYL. BLOCK COVER (1 3/8")	5	16	10-38055	SCREW, RECTIFIER TO PLATE (5/8")	13	2
10-25503	SCREW, STARTER MOTOR COVER TO CRANKCASE (2")	21	12	10-38837	SCREW, PLATE AND MANIFOLD COVER MOUNTING (1 1/8")	23	23
10-26251	SCREW, SWITCH BOX TO PLATE (13/16")	9	12				
10-28634	SCREW, GREASE FILLER AND VENT HOLE	39	31				
10-28635	SCREW, CABLE TO STARTER MOTOR (5/8")	13	16				

PARTS INDEX

Part Number	Description	Pg.	Ref. No.	Part Number	Description	Pg.	Ref. No.
10-39349	SCREW, BRACKET TO CRANKCASE (3/4")	5	21	10-68789	SCREW, RETAINER TO HOUSING (3/8")	19	7
10-45561	SCREW, HINGE BRACKET TO REAR BRACKET-LOWER (1 1/8")	3	8	10-68997	SCREW, PLATE/HUB TO FLEXIBLE PLATE (3/4")	9	5
10-45775	SCREW, MAIN BEARING CLAMPING (9/16")	25	14	10-69022	SCREW, INDICATOR TO STARTER COVER	21	19
10-47828	SCREW, DRIVE-SWIVEL BRACKET	31	20	10-69034	SCREW, LOWER END CAP MOUNTING (1")	21	28
10-48408	SCREW, CLIP TO TOP COWL SUPPORT (1/2")	5	4	10-69054	SCREW, SOLENOID TO TOP COVER (3/4")	13	11
10-48408	SCREW, RETAINING STRIP TO DRIVE SHAFT HOUSING (SELF TAPPING)	37	44	10-69069	SCREW, RETAINER TO EXHAUST PLATE (3/4")	27	27
10-48408	SCREW, SHIELD TO TOP SUPPORT BRACKET (1/2")	5	8	10-69101	SCREW, ANCHOR BRACKET TO CRANKCASE/CYL. BLOCK (7/8")	27	19
10-49318	SCREW, LOWER MOUNT (5 1/2")	35	20	10-69560	SCREW, WIRING HARNESS TO FRONT SUPPORT BRACKET (1 1/4")	13	24
10-52743	SCREW, CARBURETOR TO CRANKCASE (3 3/4")	15	14	10-69570	SCREW, FASTENING HOOK TO COWL FRONT COVER (3/4")	3	25
10-53016	SCREW, PLATE AND MANIFOLD COVER MOUNTING (1 1/4")	23	24	10-69594	SCREW, WASHER AND DIAPHRAGM TO POPPET VALVE	23	8
10-53077	SCREW, UPPER AND LOWER SHOCK MOUNTING PIN (3/4")	33	47	10-70602	SCREW, PLATE/MANIFOLD COVER MOUNTING (2")	23	25
10-53481	SCREW, REED STOP MOUNTING (9/16")	25	12	10-71958	SCREW, UPPER MOUNT COVER-FRONT (1 3/4")	35	30
10-54803	SCREW, CAP TO CONNECTING ROD (1 1/2")	25	23	10-71959	SCREW, UPPER MOUNT COVER-REAR (1 1/2")	35	29
10-55337	SCREW, THROTTLE CONTROL LEVER TO CYLINDER BLOCK (1 3/4")	11	16	10-73169	SCREW, UPPER END CAP MOUNTING (1")	21	23
10-55903	SCREW, WIRING HARNESS BRACKET MOUNTING (2 1/4")	13	28	10-73649A1	THUMB SCREW ASSEMBLY	31	2
10-59645	SCREW, SWITCH BOX PLATE TO CYLINDER BLOCK (3/4")	9	9	10-73655	SCREW, ADJUSTING-SPARK ADVANCE LEVER (2")	11	25
10-60293	SCREW, LEVER TO CARBURETOR	15	16	10-73655	SCREW, ADJUSTING-THROTTLE LEVER (2")	11	13
10-60293	SCREW, ROLLED WASHER TO COUPLING	15	20	10-73656	SCREW, SPARK ADVANCE ADJUSTING (1 3/8")	11	22
10-62568	SCREW, BLEED HOSE CLIP	23	34	10-75794	SCREW, HINGE BRACKET TO REAR BRACKET-UPPER (1 1/8')	3	8
10-62568	SCREW, RETAINING STRIP TO EXHAUST PLATE (3/8")	27	30	10-76196	SCREW, WIRE TO CHOKE KNOB	15	9
10-63136	SCREW, STATOR TO UPPER END CAP (7/8")	9	23	11-20110	NUT, REED STOP MOUNTING SCREW	25	13
10-66024	SCREW, TRIM TAB TO GEAR HOUSING (1 3/4")	43	75	11-20361	NUT, RUBBER MOUNT ATTACHING	5	37
10-66897	BOLT, UPPER MOUNT TO SWIVEL PIN (7/16 X 5 1/4")	31	30	11-20361	NUT, RUBBER MOUNT TO EXHAUST PLATE	27	34
10-66944	SCREW, COVER TO MOUNTING PLATE (2")	9	21	11-20361	NUT, RUBBER MOUNT TO FRONT SUPPORT BRACKET	5	19
10-68298	BOLT, CLAMP BRACKET TO BOAT TRANSOM (3 1/4")	31	14	11-20586	NUT, LATCH ATTACHING SCREW	11	31
10-68299	BOLT, CLAMP BRACKET TO BOAT TRANSOM (3")	31	14	11-20645	NUT, SPARK ADVANCE ADJUSTING SCREW	11	23
				11-20664	NUT, LINK ATTACHING	27	8
				11-20890	NUT, STARTER MOTOR TERMINAL	13	19

PARTS INDEX

Part Number	Description	Pg.	Ref. No.	Part Number	Description	Pg.	Ref. No.
11-25096	NUT, LOWER MOUNT SCREW	35	24	11-68292	NUT, SOLENOID TERMINAL (5/16")	13	9
11-28770	NUT, CLAMP BRACKET STUD	31	11	11-68411	NUT, CLAMP BRACKET BOLT	31	16
11-28770	NUT, JAM-PUSH ROD	35	8	11-69578	NUT, PROPELLER	43	83
11-29250	NUT, CRANKCASE TO CYLINDER BLOCK SCREW (BOTTOM)	21	17	11-71956	NUT, SWIVEL PIN RETAINING	31	34
11-29598	NUT, JAM-ADJUSTING SCREW	11	14	12-20260	WASHER, GREASE FILLER AND VENT HOLE SCREW	39	32
11-29598	NUT, JAM-ADJUSTING SCREW	11	26	12-20346	WASHER, RUBBER MOUNT ATTACHING	5	36
11-30499	NUT, TILT TUBE FASTENING	31	6	12-20346	WASHER, RUBBER MOUNT ATTACHING	27	33
11-34863	NUT, DRIVE SHAFT HOUSING TO GEAR HOUSING (3/8")	43	77	12-20346	WASHER, RUBBER MOUNT TO FRONT SUPPORT BRACKET	5	18
11-34933	NUT, DRIVE SHAFT HOUSING TO GEAR HOUSING (7/16")	43	79	12-20346	WASHER, RUBBER MOUNT TO REAR SUPPORT BRACKET	5	12
11-34933	NUT, GEAR HOUSING TO DRIVE SHAFT HOUSING STUDS (7/16")	35	6	12-21631	WASHER, LINK LATCH	27	7
11-34933	NUT, UPPER MOUNT BOLT	35	35	12-24664	WASHER, LINK (SHIFT SHAFT END)	27	13
11-35045	NUT, RUBBER MOUNT TO REAR SUPPORT BRACKET	5	13	12-25176	WASHER, SWIVEL PIN TO BOTTOM YOKE (.062)	31	32
11-35521	NUT, LOWER MOUNT CLAMP COVER	35	15	12-26020	WASHER, CRANKCASE TO CYLINDER BLOCK SCREW	21	16
11-36069	NUT, UPPER MOUNT COVER SCREW	35	31	12-26837	WASHER, SWIVEL PIN TO BOTTOM YOKE (.065)	31	32
11-36069	NUT, WATER PUMP BODY AND BASE STUDS	39	27	12-27727	WASHER, UPPER MOUNT BOLT (4/16 ID)	35	32
11-45076	NUT, IGNITION COIL TERMINAL	9	19	12-28008	WASHER, THROTTLE CONTROL LEVER SCREW	11	21
11-45076	NUT, RECTIFIER TERMINAL	13	4	12-28051	WASHER, MOUNT SCREW	35	21
11-45076	NUT, SWITCH BOX TERMINAL	9	14	12-28053	WASHER, RUBBER-LOWER MOUNT SCREW	35	22
11-45774	NUT, LINK ROD SWIVEL	11	11	12-28421	WASHER, UPPER AND LOWER BUSHING RETAINER (OUTER)	33	46
11-45774	NUT, MAIN BEARING SCREW CLAMPING	25	15	12-29245	WASHER, UPPER MOUNT COVER SCREW	35	30A
11-45812	NUT, ADJUSTMENT BAR TO BARREL	3	21	12-29245	WASHER, WATER PUMP BODY AND BASE STUDS	39	26
11-45812	NUT, SCREEN TO GEAR HOUSING SCREW	39	8	12-30164	WASHER, ADJUSTMENT BAR TO BARREL	3	20
11-46438	NUT, WIRING HARNESS SCREW	13	25	12-30514	WASHER, UPPER MOUNT BOLT (7/16 ID)	35	34
11-46793	NUT, CHOKE SOLENOID ATTACHING SCREWS	15	5	12-30514	WASHER, UPPER MOUNT BOLT (7/16 ID)	35	34
11-49091	NUT, CONNECTING ROD SCREW	25	24	12-31266	WASHER, RUBBER-SHIFT SHAFT BUSHING	41	41
11-52901	NUT, FLYWHEEL	9	1	12-31992	WASHER, CUPPED-THRUST HUB	43	82
11-55910	NUT, PINION GEAR TO DRIVE SHAFT	39	12	12-32004	WASHER, THRUST-REVERSE GEAR	43	64
11-64809	NUT, POWERHEAD TO DRIVE SHAFT HOUSING STUDS (5/16")	37	37	12-33786	WASHER, LINK ROD SWIVEL	11	10
11-68219	NUT, HARNESS LEAD TO SOLENOID ATTACHING	15	3	12-34437	WASHER, FILTER BASE SCREW	19	31
11-68219	NUT, SOLENOID TERMINAL (#10)	13	7	12-37998	WASHER, HINGE BRACKET SCREW	3	10

PARTS INDEX

Part Number	Description	Pg.	Ref. No.	Part Number	Description	Pg.	Ref. No.
12-38453	WASHER, CUPPED-WATER TUBE SEAL	39	29	13-26996	LOCKWASHER, RECTIFIER SCREW	13	3
12-38453	WASHER, NYLON-WATER INLET TUBE SEAL	27	25	13-26996	LOCKWASHER, SOLENOID TERMINAL (#10)	13	6
12-38753	WASHER, AIR MANIFOLD SCREW	5	32	13-29720	WASHER, WAVE-SHIFT SHAFT TO LINK	27	11
12-38753	WASHER, PLATE SCREW ..	15	26	13-69150	WASHER, WAVE-TILT LOCK TUBE	31	27
12-45075	WASHER, CLIP TO TOP COWL SUPPORT BRACKET	5	5	14-53012	TAB WASHER, GEAR HOUSING COVER	43	72
12-45175	WASHER, DRIVE SHAFT HOUSING STUD (3/8") ...	43	76	15-20085A1	SHIM, LOWER END CAP (.002-3-5-10)	21	29
12-47247	WASHER, NEEDLE LOCATING	25	27	15-20927A1	SHIM, THRUST WASHER TO GEAR HOUSING (.002-3-5- 10)	43	63
12-52864	WASHER, CLAMP BRACKET TILT TUBE	31	5	15-20929A1	SHIM, BEARING TO GEAR HOUSING (.002-3-5-10) ..	41	48
12-56681	WASHER, COVER SCREW .	5	29	15-22369A1	SHIM, LOWER BEARING TO CRANKSHAFT	25	3
12-56681	WASHER, TOP COVER SCREW	5	26	15-38374A1	SHIM, BEARING CUP TO GEAR HOUSING (.002-3-5- 10)	43	54
12-56720	WASHER, SWITCH BOX PLATE SCREW	9	10	15-73644A1	SHIM, UPPER END CAP (.006-8-10)	21	24
12-59378	WASHER, LOWER BUSHING RETAINER (INNER)	33	42	15-74049	SHIM, STATOR	9	30
12-61709	WASHER, LOWER MOUNT SCREW	35	23	16-33778	STUD, WATER PUMP BODY/BASE TO GEAR HOUSING (2 5/8")	39	3
12-64444	WASHER, ROLLED COUPLING	15	19	16-57932	STUD, DRIVE SHAFT HOUSING TO GEAR HOUSING (1 3/4")	35	3
12-64879	WASHER, DIAPHRAGM	23	7	16-57933	STUD, GEAR HOUSING TO DRIVE SHAFT HOUSING (2 3/16")	39	4
12-65791	WASHER, DRIVE SHAFT HOUSING STUD (7/16") ..	43	78	16-57935	STUD, DRIVE SHAFT HOUSING TO GEAR HOUSING (3")	35	4
12-65791	WASHER, GEAR HOUSING TO DRIVE SHAFT HOUSING STUDS	35	5	16-59625	STUD, CLAMP BRACKET (9 1/2")	31	9
12-66966	WASHER, RUBBER- UPPER MOUNT BOLT	35	33	16-68166	STUD, EXHAUST PLATE TO DRIVE SHAFT HOUSING (2 1/8")	27	23
12-66966	WASHER, RUBBER-UPPER MOUNT BOLT	35	33	16-68167	STUD, BLOCK TO DRIVE SHAFT HSG. (2 9/16")- TRANSFER SIDE	21	7
12-68229	WASHER, FLYWHEEL NUT .	9	2	16-68201	STUD, CRANKCASE TO DRIVE SHAFT HOUSING (2 1/4")	21	3
12-68300	WASHER, CLAMP BRACKET BOLT	31	15	16-68202	STUD, BLOCK TO DRIVE SHAFT HSG (3")-EXHAUST SIDE	21	7
12-68410	WASHER, CLAMP BRACKET BOLT	31	15	16-68203	STUD, BLOCK TO DRIVE SHAFT HOUSING (4") ...	21	6
12-75806	WASHER, HINGE BRACKET SCREW (UPPER)	3	10	16-69058	STUD, EXHAUST PLATE TO DRIVE SHAFT HOUSING (1 11/16")	27	22
13-26992	LOCKWASHER, HINGE BRACKET SCREW	3	9	17-20032	DOWEL PIN, MAIN BEARING	25	7
13-26992	LOCKWASHER, STARTER MOTOR TERMINAL	13	18	17-20033	DOWEL PIN, CRANKCASE TO CYLINDER BLOCK ...	21	4
13-26992	WASHER, SOLENOID SCREW	13	12				
13-26993	LOCKWASHER, CLAMP BRACKET STUD	31	10				
13-26993	LOCKWASHER, PIN ATTACHING SCREW	3	13				
13-26993	LOCKWASHER, SOLENOID TERMINAL (5/16")	13	8				
13-26996	LOCKWASHER, HARNESS LEAD TO CHOKE SOLENOID	15	2				

PARTS INDEX

Part Number	Description	Pg.	Ref. No.	Part Number	Description	Pg.	Ref. No.
17-21438	PIN, DOWEL-GEAR HOUSING	39	2	23-27132	BUSHING, NYLON-EXHAUST PLATE	27	21A
17-25598	PIN, REVERSE LOCK SPRING ATTACHING	31	31	23-28198	BUSHING, RUBBER-SHOCK ABSORBER (LOWER)	33	45
17-30545	PIN, DRIVE SHAFT	41	46	23-32171	BUSHING, RUBBER-SHOCK ABSORBER (UPPER)	33	44
17-35973	DOWEL PIN, WATER PUMP BASE TO WATER PUMP BODY	39	18	23-55164	BUSHING, THROTTLE CONTROL LEVER SCREW	11	17
17-36242	PIN, ROLL-MERCURY SWITCH	23	28	23-55171	BUSHING, THROTTLE CONTROL LEVER SCREW	11	18
17-38113	PIN, CROSS-RATCHET TO PROPELLER SHAFT	43	59	23-55419A1	BUSHING ASSEMBLY, SHIFT SHAFT	41	38
17-39023	PIN, PUSH ROD TO REVERSE LOCK	35	10	23-56774	SPACER, COLLAR TO MOUNTING BRACKETS	13	21
17-47175	PIN, LOCKING LEVER AND COVER FASTENING	27	16	23-59624	SPACER, CLAMP BRACKET STUD	31	8
17-49930A1	TILT LOCK PIN ASSEMBLY	31	12	23-60242	SLEEVE, LUBRICATION-DRIVE SHAFT	41	47
17-60282	DOWEL PIN (STEPPED)	25	8	23-69132	BUSHING, REVERSE PIVOT SHAFT	33	39
17-60301	PIN, COWL HINGE	3	11	23-71121	HOSE ASSEMBLY, FUEL PUMP TO TELL TALE NOZZLE (8 1/2")	19	12
17-65855	DOWEL PIN, REED STOP	25	9	23-71574	BUSHING, TILT LOCK TUBE	31	26
18-25191	COTTER PIN, PUSH ROD PIN	35	11	23-73203	SPACER, UPPER SHOCK BUSHING TO CLAMP BRACKET	33	41
18-45882	COTTER PIN, REVERSE LOCK TO SHAFT	33	40	23-74213	BARREL, NYLON-THROTTLE LINK ROD	11	6
18-47959	COTTER PIN, TILT LOCK	31	25	24-20099	SPRING, COMPRESSION-LATCH SCREW	11	30
19-45907	PLUG, FLYWHEEL PULLER THREADS	9	3	24-20099	SPRING, LINK TO ANCHOR BRACKET	27	3
19-64649	PLUG, PLASTIC-TRIM TAB SCREW HOLE	35	2	24-20254	SPRING, COMPRESSION-DRIVE SHAFT	41	45
19-73336	PLUG, FRONT COVER	7	46	24-23067	SPRING, ADAPTOR STEM	19	24
21-30430A3	CHECK VALVE ASSEMBLY	19	2	24-29821	SPRING, REVERSE LOCK TENSION	31	37
21-64871A3	FITTING, CRANKCASE BLEED	23	31	24-35522	SPRING, TENSION-LOWER MOUNT CLAMP	35	18
22-25885	ELBOW, HOSE TO EXHAUST PLATE	19	11	24-38114	SPRING, RETAINING-CROSS PIN	43	60
22-32802	PLUG, CYLINDER BLOCK COVER	23	15	24-39845	SPRING, COMPRESSION-CAM FOLLOWER	43	53
22-32802	PLUG, PIPE-FUEL PUMP	19	9	24-55162	SPRING, RETURN-SPARK ADVANCE LEVER	11	19
22-63187	FITTING, FUEL LINE TO ADAPTOR	19	20	24-60295	SPRING, FRONT COVER LATCH	7	49
22-64704	FITTING, BASE	19	37	24-62624	SPRING, TENSION-COWL LATCH	3	19
22-64704	FITTING, UPPER CARBURETOR	19	41	24-64878	SPRING, COMPRESSION-POPPET RELIEF VALVE	23	5
22-64705	FITTING, FUEL PUMP (INLET)	19	17	25-20116	GROMMET, CHOKE KNOB	15	10
22-64706	TEE, LOWER CARBURETOR	19	39	25-20273	RING, RUBBER-CENTRIFUGAL SLINGER	39	30
22-65670A1	CONNECTOR ASSEMBLY, ATTENUATOR	5	39	25-20415	"O"RING, ADAPTOR STEM	19	23
22-65857	FITTING, CRANKCASE BLEED (PRESS IN)	23	32	25-25439	"O"RING, SHIFT SHAFT BUSHING	39	37
22-65857	FITTING, CRANKCASE VENT (PRESS IN)	5	41	25-26855	"O"RING, WATER PUMP BASE	39	14
22-70007	FITTING, FUEL PUMP (OUTLET)	19	42				
22-74036	FITTING, GREASE	31	21				
23-23651	SLEEVE, WATER INLET TUBE	37	40				
23-26600	BUSHING, NYLON-SHIFT SHAFT TO LINK	27	12				

PARTS INDEX

Part Number	Description	Pg.	Ref. No.	Part Number	Description	Pg.	Ref. No.
25-31986	"O"RING, BEARING CARRIER	43	66	27-62386	GASKET, THERMOSTAT	23	20
25-32546	"O"RING, END CAP	21	26	27-69524	GASKET, PLATE TO EXHAUST MANIFOLD COVER	23	21
25-47386	"O"RING, FILTER COVER	19	33	27-69525	GASKET, BAFFLE PLATE TO CYLINDER BLOCK	23	16
25-57009	GROMMET, SWITCH BOX PLATE	9	8	27-70335	GASKET, BAFFLE PLATE TO CYLINDER BLOCK COVER	23	17
25-64872	GROMMET, POPPET RELIEF VALVE	23	3	27-71096	GASKET, TOP COVER	5	24
25-64966	"O"RING, END CAP	21	21	27-73377	GASKET, CARBURETOR	17	29
25-65936	"O"RING, UPPER MOUNT	35	25A	27-73397	GASKET, CARBURETOR PLATE TO CARBURETOR	15	24
26-23300	OIL SEAL, WATER PUMP BASE	39	17	27-73398	GASKET, CARBURETOR PLATE	15	23
26-24590	OIL SEAL, SHIFT SHAFT BUSHING (LOWER)	41	39	27-73440A76	GASKET SET (MOTOR OVERHAUL)	1	-
26-26782	OIL SEAL, WATER PUMP BASE	39	16	27-73442	GASKET, TRANSFER PASSAGE COVER	23	10
26-29476	OIL SEAL, END CAP	21	22	27-76193	GASKET, FRONT COVER	5	43
26-29476	OIL SEAL, END CAP	21	27	28-30281	KEY, LOCATING-BEARING CARRIER	43	71
26-31249	OIL SEAL, SHIFT SHAFT BUSHING (UPPER)	41	40	28-56662	KEY, IMPELLER DRIVE	39	23
26-32911	OIL SEAL, SWIVEL BRACKET	31	19	29-47270	BEARING, NEEDLE-PISTON PIN	25	26
26-38452	SEAL, WATER PUMP BODY TO WATER TUBE	39	28	29-52168	BEARING, NEEDLE	25	18
26-60296	SEAL, FUEL CONNECTOR-FRONT SUPPORT BRACKET	5	38	30-20839	BEARING, BALL-REVERSE GEAR	43	65
26-60297	SEAL, FUEL CONNECTOR-COWL	3	2	30-64424	BEARING, BALL-LOWER AND UPPER	25	2
26-60298	SEAL, CONTROL CABLES-COWL	3	4	31-21700	BEARING, ROLLER-BEARING CARRIER	43	68
26-60925	SEAL, WIRING HARNESS BRACKET	13	27	31-21739	BEARING, ROLLER-FOWARD GEAR	43	56
26-69188	OIL SEAL, BEARING CARRIER	43	69	31-38146A1	ROLLER BEARING ASSEMBLY, TAPERED-DRIVE SHAFT	41	49
26-69189	OIL SEAL, BEARING CARRIER-LINE CUTTER	43	70	31-38356A1	TAPERED ROLLER BEARING ASSEMBLY	43	55
27-25848	GASKET, FILTER COVER FASTENING SCREW	19	36	31-62091	BEARING, ROLLER-DRIVE SHAFT	39	5
27-32769	GASKET, LOWER-WATER PUMP BASE TO FACE PLATE	39	19	31-62596A1	BEARING ASSEMBLY, CRANKPIN	25	25
27-32770	GASKET, UPPER-FACE PLATE TO WATER PUMP BODY	39	21	32-28052	SLEEVE, RUBBER-TILT LOCK PIN BUMPER	31	13
27-32771	GASKET, WATER PUMP BASE TO GEAR HOUSING	39	13	32-37727	TUBE, WATER INLET (SHORT SHAFT)	37	39
27-38501	GASKET, ADAPTOR PLATE TO DRIVE SHAFT HOUSING	29	36	32-45679	TUBE, WATER INLET (LONG SHAFT)	37	39
27-38501	GASKET, EXHAUST EXTENSION PLATE TO DRIVE SHAFT HOUSING	37	36	32-54936	HOSE, CRANKCASE BLEED (12")	23	30
27-60280	GASKET, EXHAUST TUBE TO EXHAUST PLATE	29	38	32-54936	TUBE, VENT (LOWER)	5	40
27-60286	GASKET, CRANKCASE TO CYLINDER BLOCK	21	2	32-70432	FUEL LINE, ADAPTOR TO FUEL PUMP (12")	19	18
27-60310	GASKET, CYLINDER BLOCK COVER	23	13	32-70432	FUEL LINE, BASE TO LOWER CARBUETOR (9 1/2")	19	38
				32-70432	FUEL LINE, CARBURETOR TO CARBURETOR (3")	19	40

PARTS INDEX

Part Number	Description	Pg.	Ref. No.	Part Number	Description	Pg.	Ref. No.
32-71121	HOSE ASSEMBLY, FUEL PUMP TO EXHAUST PLATE (9 1/2")	19	10	84-73204	WIRING HARNESS (INTERNAL)	13	23
33-57451	SPARK PLUG (AC#V40FFM)	9	29	84-73451A8	WIRE ASSEMBLY, SPARK PLUG	9	27
34-65946	REED STOP	25	11	84-73452	CABLE, BATTERY TO STARTER SOLENOID	13	22
34-66051A1	REED SET, MATCHED-MAIN BEARING	25	10	84-73453	CABLE, SOLENOID TO STARTER MOTOR-YELLOW (9 1/2")	13	17
35-59072	FILTER, FUEL	19	32	87-33386A2	SWITCH, MERCURY	23	26
37-73930A76	DECAL SET	1	-	89-68258	STARTER SOLENOID	13	5
39-45155A12	RING, PISTON	25	21	90-74972	MERC 650E PARTS LIST	1	-
39-45204A12	RING, PISTON (.015)	25	--	248-5977A7	FLYWHEEL ASSEMBLY	9	4
40-52035	LOCK RING, PISTON PIN	25	20	332-2854	BOOT, IGNITION COIL END	9	28
43-60245	GEAR, PINION-DRIVE SHAFT	39	11	332-5524A1	SWITCH BOX ASSEMBLY	9	11
43-60247	FORWARD GEAR ASSEMBLY	43	57	339-5748A2	IGNITION COIL ASSEMBLY	9	18
43-60247	FORWARD GEAR ASSEMBLY	43	57	398-5704A2	STATOR ASSEMBLY	9	22
43-66555	REVERSE GEAR ASSEMBLY	43	62	450-4393A2	CRANKSHAFT ASSEMBLY	25	1
44-55911	SHAFT, PROPELLER	43	61	542-4846A7	MAIN BEARING ASSEMBLY (VALVE TYPE)	25	6
45-69164A2	DRIVE SHAFT ASSEMBLY (SHORT SHAFT)	41	44	622-4850A3	CONNECTING ROD AND CAP ASSEMBLY	25	22
45-69165A2	DRIVE SHAFT ASSEMBLY (LONG SHAFT)	41	44	745-5218A3	PISTON AND PISTON PIN ASSEMBLY (SHORT SHAFT)	25	19
46-48746A1	WATER PUMP BODY ASSEMBLY	39	24	745-5220A2	PISTON AND PISTON PIN ASSEMBLY (LONG SHAFT)	25	19
46-73640A1	WATER PUMP BASE ASSEMBLY	39	15	745-5303A2	PISTON AND PISTON PIN ASSEMBLY (LONG SHAFT) (.015)	25	--
47-65959	IMPELLER, WATER PUMP	39	22	745-5303A2	PISTON AND PISTON PIN ASSEMBLY (SHORT SHAFT) (.015)	25	--
50-65436	STARTER MOTOR ASSEMBLY	13	13	865-5890A3	CYLINDER BLOCK AND CRANKCASE ASSEMBLY (LONG SHAFT)	21	1
52-47586	RATCHET, SLIDING CLUTCH	43	58	865-5890A3	CYLINDER BLOCK AND CRANKCASE ASSEMBLY (LONG SHAFT)	23	1
53-26933	RING, SNAP-OUTER RACE CLAMPING	25	17	869-6005A3	CYLINDER BLOCK AND CRANKCASE ASSEMBLY (SHORT SHAFT)	21	1
53-29641	CLIP, RETAINING-SHIFT SHAFT	39	36	869-6005A3	CYLINDER BLOCK AND CRANKCASE ASSEMBLY (SHORT SHAFT)	23	1
54-28700	CLAMP, STATOR LEADS ATTACHING	9	25	1025-6124A1	COVER, CYLINDER BLOCK	23	12
54-64855	CLIP, BLEED HOSE	23	33	1144-5117A1	END CAP ASSEMBLY, LOWER	21	25
54-68424	CLAMP, FUEL LINE ATTACHING	19	19	1161-6357A1	END CAP ASSEMBLY, UPPER	21	20
54-68725	CLAMP, HOSE TO FUEL PUMP AND FITTING	19	13	1379-6071A5	CARBURETOR ASSEMBLY (SHORT SHAFT)	15	13
54-70705	CLAMP, TELL TALE NOZZLE	19	15	1379-6071A5	CARBURETOR ASSEMBLY, COMPLETE (SHORT SHAFT)	17	1
55-28416	PIN, UPPER SHOCK MOUNTING	31	17	1379-6071A9	CARBURETOR ASSEMBLY (LONG SHAFT)	15	13
55-58780A2	SHOCK ABSORBER	33	43				
55-69653	PIN, LOWER SHOCK MOUNTING	31	35				
84-60443A3	WIRE ASSEMBLY, SWITCH BOX TO COIL (GREEN)	9	15				
84-60466A17	WIRE ASSEMBLY, SWITCH BOX TO COIL (BLACK)	9	16				
84-60872	CABLE, STARTER TO SOUND ATTENUATOR-BLACK (9 1/2")	13	15				
84-62822A1	WIRE ASSEMBLY, SWITCH BOX TO COIL (GREEN/WHITE)	9	15				

PARTS INDEX

Part Number	Description	Pg.	Ref. No.	Part Number	Description	Pg.	Ref. No.
1395-4555	INLET NEEDLE AND SEAT .	17	3				
1395-4807	SHAFT, THROTTLE	17	20				
1395-6196	VALVE, THROTTLE	17	21				
1395-6197	FLOAT	17	11				
1395-6198	VALVE ASSEMBLY, ENRICHMENT	17	26				
1395-6199	PLUG, MAIN JET	17	15				
1395-6200	GASKET KIT	17	--				
1395-6201	JET, MAIN (.080)-SHORT SHAFT	17	16				
1395-6202	JET, MAIN (.088)-LONG SHAFT	17	16				
1395-6203	WASHER, THROTTLE SHAFT	17	24				
1395-6204	SEAL, THROTTLE SHAFT . .	17	23				
1395-6206	FUEL BOWL	17	12				
1395-6207	JET, VENT BOWL (.072)- SHORT SHAFT	17	2				
1395-6208	REPAIR PARTS KIT (SHORT SHAFT)	17	--				
1395-6359	JET, VENT BOWL (.052) LONG SHAFT	17	2				
1395-6360	REPAIR PARTS KIT (LONG SHAFT)	17	--				
1395-6685	VENTURI ASSEMBLY	17	5				
1440-6044A2	CLAMP BRACKET ASSEMBLY	31	1				
1472-6076A1	SWIVEL BRACKET ASSEMBLY (SHORT SHAFT)	31	18				
1473-6078A1	SWIVEL BRACKET ASSEMBLY (LONG SHAFT)	31	18				
1554-4813A2	DRIVE SHAFT HOUSING ASSEMBLY (SHORT SHAFT)	35	1				
1564-4812A2	DRIVE SHAFT HOUSING ASSEMBLY (LONG SHAFT)	35	1				
1643-6038A10	GEAR HOUSING ASSEMBLY, COMPLETE (LONG SHAFT) -SEE FOOTNOTE	39	-				
1643-6038A10	GEAR HOUSING ASSEMBLY, COMPLETE (LONG SHAFT) -SEE FOOTNOTE	43	-1				
1643-6038A6	GEAR HOUSING ASSEMBLY	39	1				
1643-6038A6	GEAR HOUSING ASSEMBLY (SEE G6 FOR BREAKDOWN)	43	1				
1643-6038A9	GEAR HOUSING ASSEMBLY, COMPLETE (SHORT SHAFT)-SEE FOOTNOTE .	39	-				
1643-6038A9	GEAR HOUSING ASSEMBLY, COMPLETE (SHORT SHAFT)-SEE FOOTNOTE .	43	-				
2141-6227A1	COWL ASSEMBLY (PORT) .	3	3				
2142-6228A1	COWL ASSEMBLY (STARBOARD)	3	1				
2143-5689A3	COWL FRONT COVER ASSEMBLY	3	22				