



PARTS CATALOG

MERC 140

SERIAL NUMBER

1400, 140	USA 4865678 THRU 5327662
1400, 140	CAN 7112773 THRU 7132512
1400, 140	AUS 8052650 THRU 8052879

TABLE OF CONTENTS:

.015 OVERSIZE PISTONS AND RINGS	32
BOTTOM COWL AND SHIFT LINKAGE	34
CARBURETOR ASSEMBLY	22
CARBURETOR LINKAGE AND CHOKE SOLENOID	20
CLAMP BRACKET AND REVERSE LOCK	40
COWLING AND FRONT COVER	4
CRANKSHAFT, PISTONS AND CONNECTING RODS	30
CYLINDER BLOCK AND CRANKCASE ASSEMBLY	26
DISTRIBUTOR ADAPTOR AND VERTICAL LINKAGE	14
DISTRIBUTOR HOUSING AND ROTOR	8
DRIVE SHAFT HOUSING ASSEMBLY	44
END CAP, MANIFOLD AND EXHAUST COVERS	28
EXHAUST EXTENSION PLATE	36
FLYWHEEL ASSEMBLY AND STATOR	6
FUEL PUMP AND FUEL LINE ASSEMBLY	24
GEAR HOUSING ASSEMBLY, COMPLETE (PAGE 1)	46
GEAR HOUSING ASSEMBLY, COMPLETE (PAGE 2)	50
HYDRAULIC PUMP AND CONTROL VALVE	54
HYDRAULIC PUMP ASSEMBLY	52
IGNITION COIL	12
MISCELLANEOUS PARTS/ACCESSORIES	1
PARTS INDEX	65
POWER TRIM CYLINDER REPAIR KITS	62
PROPELLERS (RIGHT HAND ROTATION)	64
STARTER MOTOR, STARTER SOLENOID, RECTIFIER AND WIRING HARNES	18
SWIVEL BRACKET ASSEMBLY	38
TOP COWL AND SUPPORT BRACKETS	2
TRIM CYLINDERS AND HYDRAULIC HOSES	58

NOTE: Indented description indicate that these parts are included in preceeding assembly.

AR = As Required

NSS = Not Sold Separate

OPT = Optional

NS = Not Shown

NOTE: Following symbols are located in **SYM** column.

● = NOT SOLD SEPARATELY.

■ = COMPONENT OF REPAIR PARTS KIT.

■ = CONTENTS OF C-[27-60476A75] GASKET SET

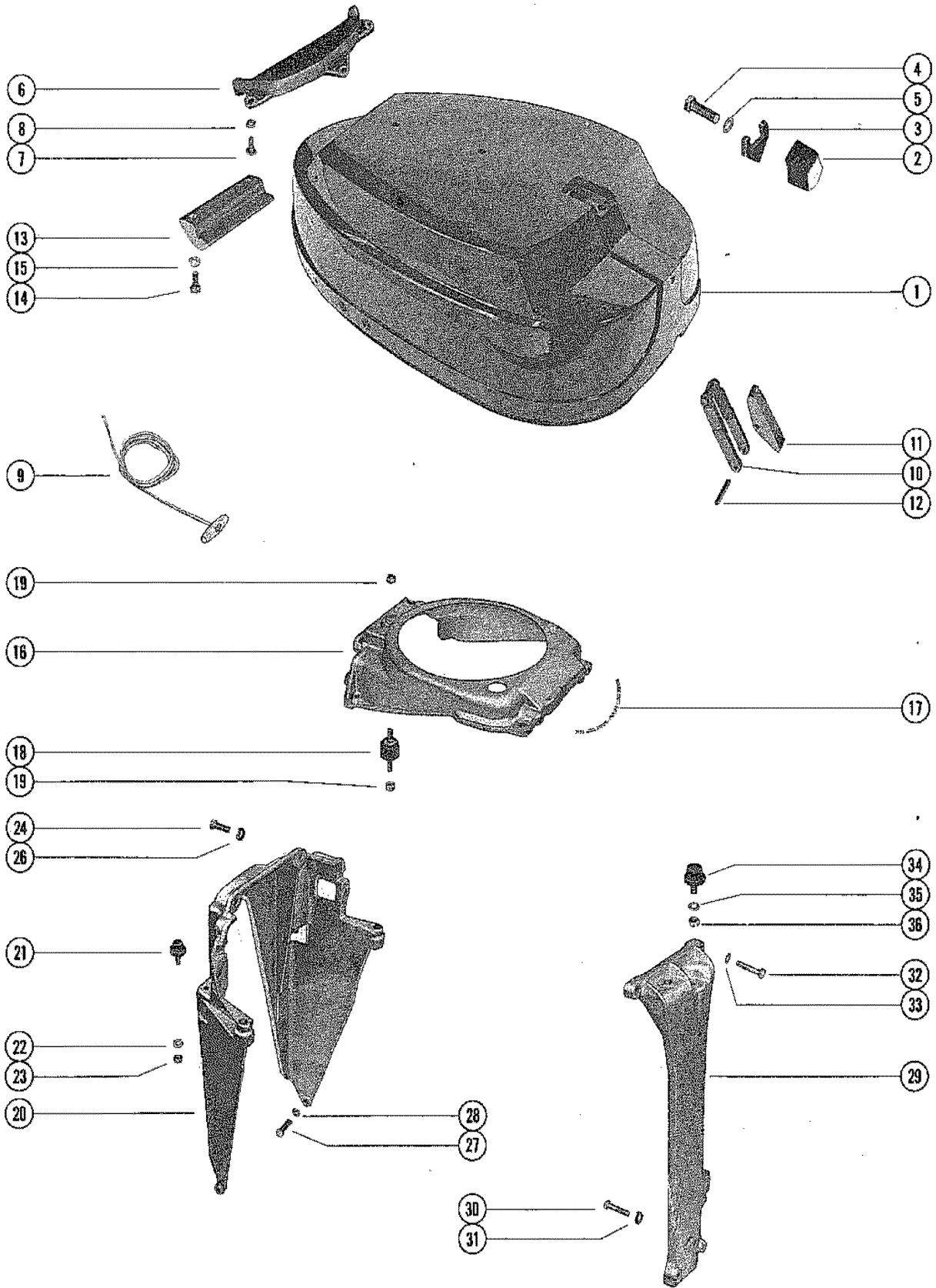
▲ = COMPONENT OF GASKET AND PACKING SET.

THESE PARTS BOOKS/FICHE CARD ARE COPYRIGHTED AND MAY NOT BE DISTRIBUTED OR REPRODUCED IN ANY OTHER FORMAT BY ANYONE OTHER THAN MERCURY MARINE WITHOUT THE PRIOR WRITTEN CONSENT OF MERCURY MARINE.

MISCELLANEOUS PARTS/ACCESSORIES

REF. NO.	PART NO.	SYM.	QTY.	DESCRIPTION
-	90-79200		0	MERC 140 PARTS LIST
-	27-90476A75		0	GASKET SET
-	37-78589A78		0	DECAL SET - SERIAL GROUP #1
-	37-86431A79		0	DECAL SET - SERIAL GROUP #2

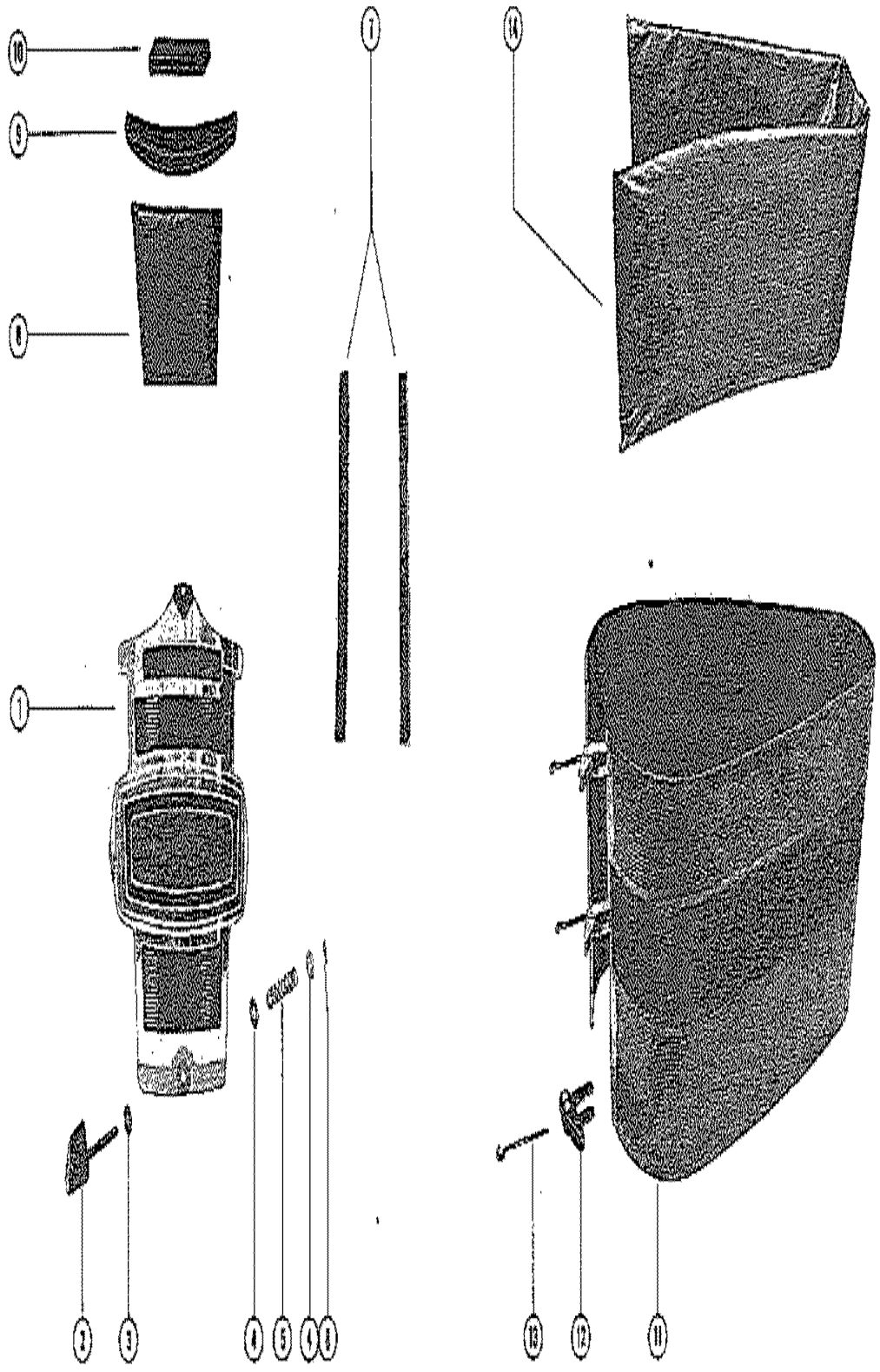
TOP COWL AND SUPPORT BRACKETS



TOP COWL AND SUPPORT BRACKETS

REF. NO.	PART NO.	SYM.	QTY.	DESCRIPTION
1	2114-5999		1	COWL, TOP (WITHOUT DECALS)
2	52733A9		1	RETAINER ASSEMBLY, TOP COWL
3	35496		1	PAD, BUMPER - TOP COWL RETAINER
4	10-37558		1	SCREW, RETAINER TO TOP COWL (1 1/4")
5	13-39107		1	LOCKWASHER, RETAINER TO TOP COWL SCREW
6	76370		1	SHIELD, TOP COWL - REAR
7	10-37370		3	SCREW, SHIELD TO TOP COWL (5/8")
8	13-37371		3	LOCKWASHER, SHIELD SCREW
9	47341A1		1	ROPE, STARTER (FOR MANUAL STARTING ONLY)
10	52739		1	HINGE, COWL LATCH - TOP COWL
11	52737		1	LEVER, COWL LATCHHINGE
12	17-58998		1	PIN, ROLL - COWL LATCH LEVER TO HINGE
13	55455		1	HOOK, TOP COWL LATCH - REAR
14	10-22956		2	SCREW, REAR HOOK TO TOP COWL (7/8")
15	13-26992		2	LOCKWASHER, REAR HOOK MOUNTING SCREW
16	75971A1		1	FRAME ASSEMBLY, TOP COWL SUPPORT UNITED STATES 5189787 AND BELOW AUSTRALIA 8052879 AND BELOW CANADA 7125012 AND BELOW
	86922A1		1	FRAME ASSEMBLY, TOP COWL SUPPORT UNITED STATES 5189788 AND UP CANADA 7125013 AND UP
17	37-73291		1	DECAL, TIMING (FLYWHEEL) UNITED STATES 5189787 AND BELOW AUSTRALIA 8052879 AND BELOW CANADA 7125012 AND BELOW
18	37639		3	MOUNT, RUBBER - TOP COWL FRAME
	46096		OPT	MOUNT, RUBBER TOP COWL FRAME (HEAVY DUTY)
19	11-35888		6	NUT, RUBBER MOUNT TO TOP COWL FRAME
20	64954		1	BRACKET, TOP COWL SUPPORT - REAR
21	31014		2	MOUNT, RUBBER - REAR SUPPORT BRACKET
22	13-26992		2	LOCKWASHER RUBBER MOUNT TO REAR SUPPORT BRACKET
23	11-29598		2	NUT RUBBER MOUNT TO REAR SUPPORT BRACKET
24	10-37562		4	SCREW, REAR BRACKET TO FRAME (1")
26	13-26993		4	LOCKWASHER, REAR BRACKET SCREW
27	10-37562		4	SCREW, REAR BRACKET TO BOTTOM COWL (1")
28	13-26993		4	LOCKWASHER, REAR SUPPORT BRACKET SCREW
29	77103A3		1	BRACKET ASSEMBLY, TOP COWL - FRONT
30	10-69092		2	SCREW, FRONT BRACKET TO BOTOM COWL (1 1/4")
31	13-26992		2	LOCKWASHER, FRONT SUPPORT BRACKET SCREW
32	10-55511		2	SCREW FRONT BRACKET TO TOP COWL FRAME (1 1/2")
33	13-26993		2	LOCKWASHER FRONT SUPPORT BRACKET SCREW
34	37640		1	MOUNT, RUBBER FRONT SUPPORT BRACKET
35	13-26993		1	LOCKWASHER RUBBER MOUNT TO FRONT SUPPORT BRACKET
36	11-28770		1	NUT RUBBER MOUNT TO FRONT SUPPORT BRACKET

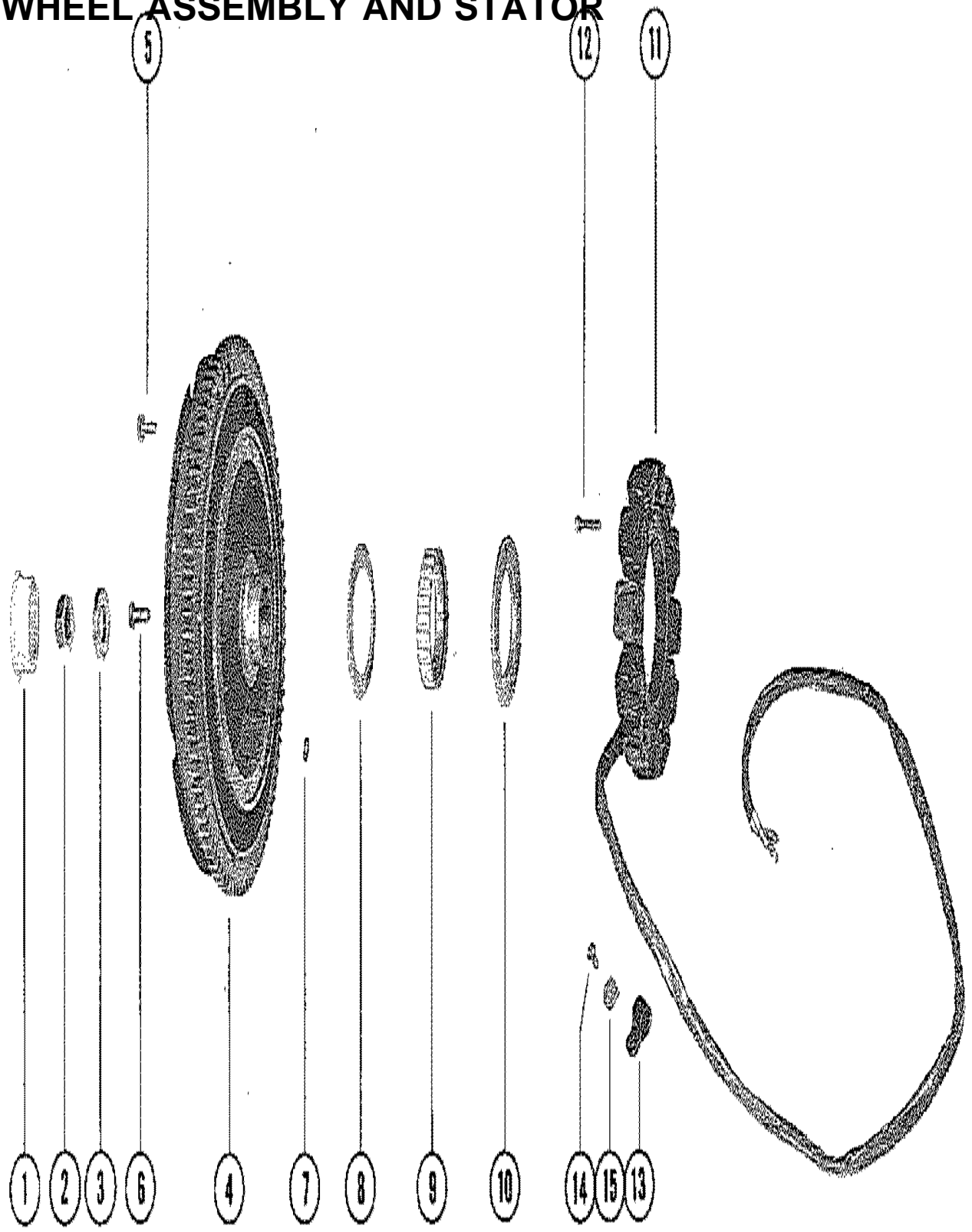
COWLING AND FRONT COVER



COWLING AND FRONT COVER

REF. NO.	PART NO.	SYM.	QTY.	DESCRIPTION
1	2113-5631A4		1	COWL FRONT COVER ASSEMBLY (WITHOUT DECALS)
2	56849		1	KNOB, COWL FRONT COVER FASTENING
3	12-30771		2	WASHER, COVER FASTENING KNOB (RUBBER)
4	12-59572		2	WASHER, COVER FASTENING KNOB (PLASTIC)
5	24-30772		1	SPRING, TENSION - FASTENING KNOB
6	17-29077		1	ROLL PIN, TENSION SPRING TO KNOB
7	31089		2	STRIP, SOUND ABSORBING
8	38674		1	BAG, STARTER ROPE
9	35769		1	SEAL, SOUND ABSORBING - UPPER
10	53334		1	SEAL, SOUND ABSORBING - TOP
11	2136-4660A4		1	WRAP AROUND COWL ASSEMBLY (WITHOUT DECALS)
12	46785A1		3	COWL LATCH ASSEMBLY
13	30413		3	HOOK, COWL LATCH FASTENING
14	30021		1	BLANKET, SOUND ABSORBING
	92-25234--1		1	GLUE, ADHESIVE - BLANKET FASTENING
	92-27109--1		1	ADHESIVE COMPOUND, EMBLEM FASTENING

FLYWHEEL ASSEMBLY AND STATOR

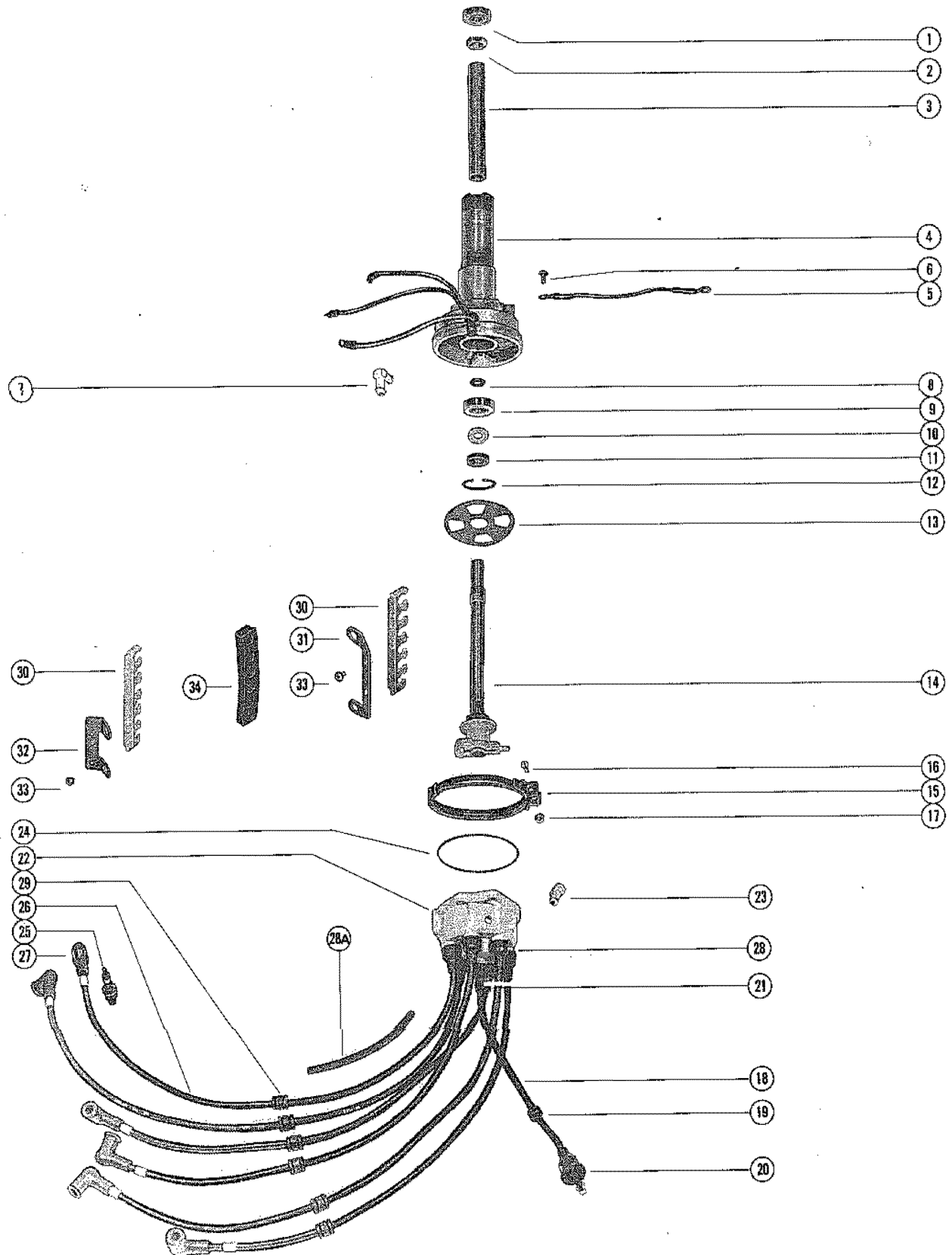


FLYWHEEL ASSEMBLY AND STATOR

REF. NO.	PART NO.	SYM.	QTY.	DESCRIPTION
1	19-45907		1	PLUG, FLYWHEEL PULLER THREADS
2	11-52901		1	NUT FLYWHEEL (PART OF A-436-6646A2 CRANKSHAFT ASSEMBLY)
3	12-68229		1	WASHER, FLYWHEEL NUT
4	225-2494A30		1	FLYWHEEL ASSEMBLY, COMPLETE UNITED STATES 5189787 AND BELOW AUSTRALIA 8052879 AND BELOW CANADA 7125012 AND BELOW
	225-2494A37		1	FLYWHEEL ASSEMBLY, COMPLETE UNITED STATES 5189788 AND UP CANADA 7125013 AND UP
5	10-32417		8	SCREW, FLEXIBLE PLATE TO FLYWHEEL (5/8")
6	10-68997		8	SCREW, PLATE/HUB TO FLEX. PLATE (7/8")
7	17-26618		1	PIN, DOWEL - PULLEY TO FLYWHEEL
8	29788		1	FLANGE, FLYWHEEL PULLEY
9	30306		1	PULLEY, FLYWHEEL
10	29787		1	HUB, FLYWHEEL PULLEY
11	398-4793		1	STATOR, ALTERNATOR
12	10-75840		4	SCREW, STATOR TO UPPER END CAP (7/8")
13	54-24871		1	CLIP, STATOR LEAD FASTENING (5/8")
	54-22627		1	CLIP STATOR/WIRING HARNESS LEADS FASTENING (1/2")
14	10-62568		3	SCREW, STATOR LEAD CLIP FASTENING (3/8")
15	69205		3	"D" WASHER, CLIP FASTENING SCREW

FOR REPLACEMENT FLYWHEEL FLEX PLATES, ORDER A-[55623A5] REPLACEMENT KIT.

DISTRIBUTOR HOUSING AND ROTOR



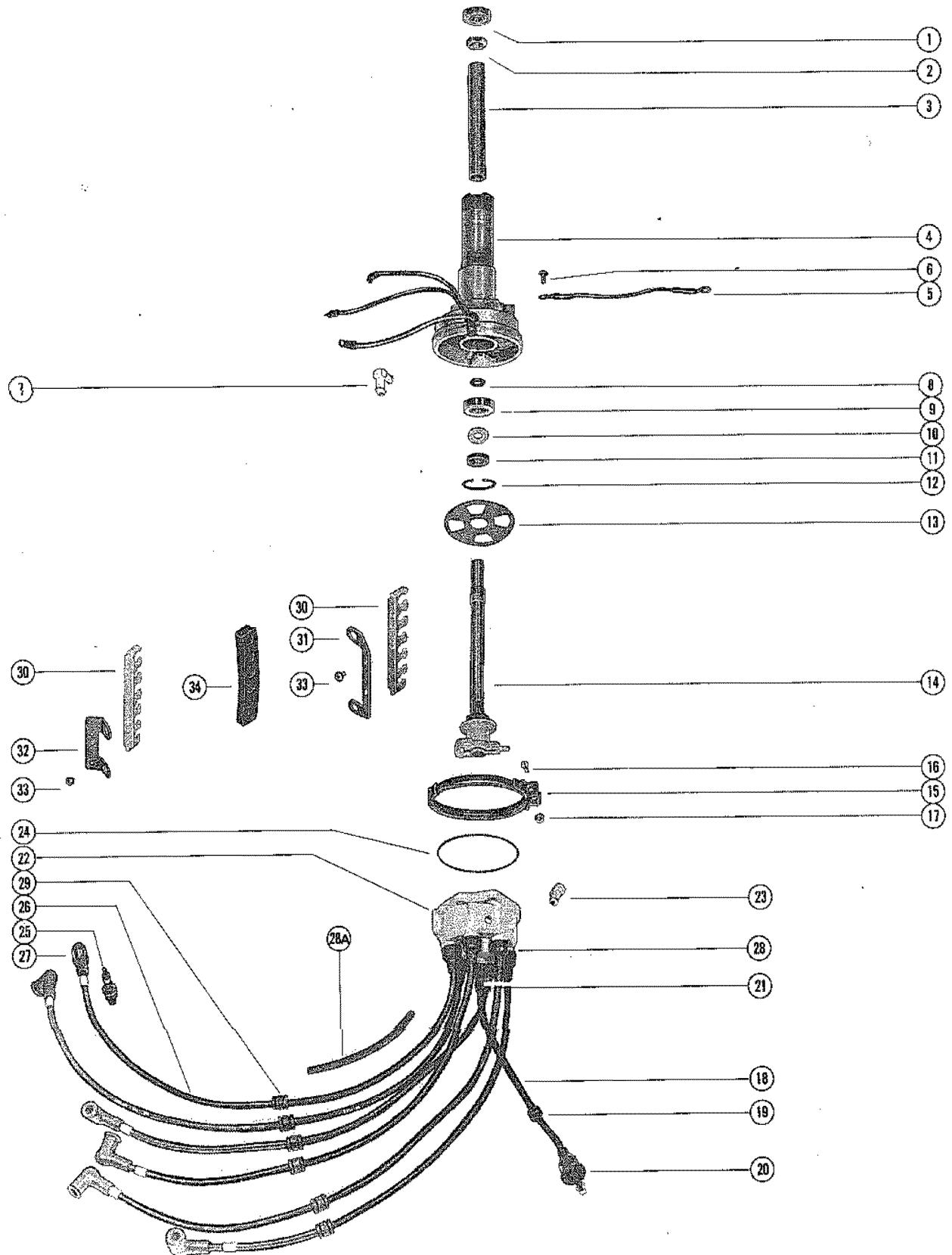
DISTRIBUTOR HOUSING AND ROTOR

REF. NO.	PART NO.	SYM.	QTY.	DESCRIPTION
1	30-20066		1	BALL BEARING, DISTRIBUTOR HOUSING (UPPER)
2	11-54209		1	NUT, ROTOR SHAFT TO DISTRIBUTOR HOUSING
3	23-53539		1	SLEEVE, ROTOR SHAFT
4	393-3736A77		1	HOUSING ASSEMBLY, DISTRIBUTOR
5	53417		1	GROUND STRAP ASSEMBLY DISTRIBUTOR TO CRANKCASE
6	10-62568		1	SCREW, GROUND STRAP ATTACHING (3/8")
7	58807A1		1	FLAME ARRESTOR, VENT - DISTRIBUTOR HOUSING
8	15-55853		1	SHIM, BALL BEARING TO DISTRIBUTOR HOUSING
9	30-26379		1	BALL BEARING, DISTRIBUTOR HOUSING (LOWER)
10	15-21148A1		AR	SHIM, BALL BEARING TO SPACER
11	23-53538		1	SPACER, ROTOR SHAFT
12	53-26406		1	RING RETAINER - BALL BEARING TO DISTRIBUTOR HOUSING
13	393-4313		1	DISC, ROTOR
14	393-4312		1	ROTOR, DISTRIBUTOR
15	54-60768		1	CLAMP, DISTRIBUTOR CAP TO DISTRIBUTOR HSG. PART OF DISTRIBUTOR CAP ASSEMBLY
16	10-65774		1	SCREW, DISTRIBUTOR CAP CLAMP (1 1/8") PART OF DISTRIBUTOR CAP ASSEMBLY
17	11-26768		1	NUT, DISTRIBUTOR CAP CLAMP SCREW PART OF DISTRIBUTOR CAP ASSEMBLY
18	84-69207A1		1	CABLE ASSEMBLY, CAP TO COIL
19	25-26547		1	GROMMET, HIGH TENSION CABLE
20	332-2854		1	BOOT, HIGH TENSION CABLE TO COIL
21	60096		1	BOOT, HIGH TENSION CABLE
22	393-4841A2		1	DISTRIBUTOR CAP ASSEMBLY
	393-1293A1		1	BRUSH AND SPRING ASSEMBLY
23	58807A1		1	FLAME ARRESTOR, VENT - DISTRIBUTOR CAP
24	27-55896	■	1	GASKET, DISTRIBUTOR CAP
25	33-68057		6	SPARK PLUG (CHAMPION L-76V)
26	84-63212A2		6	SPARK PLUG LEAD ASS'Y #1, #2, #3, #4, #5, AND #6 ORDER A-[36549A1] KIT FOR REPLACEMENT OF LEAD WIRE MARKERS.
	20121		6	CONNECTOR, SPARK PLUG LEAD
27	85-71006A1		6	PROTECTOR, SPARK PLUG LEAD
28	60096		6	BOOT, SPARK PLUG LEAD TO DISTRIBUTOR
28A	23-62238--1		6	SLEEVE, SPARK PLUG LEAD (7")
29	25-26547		12	GROMMET, SPARK PLUG LEADS
30	45409		2	WIRE RETAINER, HIGH TENSION LEADS

■ = CONTENTS OF C-[27-60476A75] GASKET SET

CONTINUED ON NEXT PAGE ➡

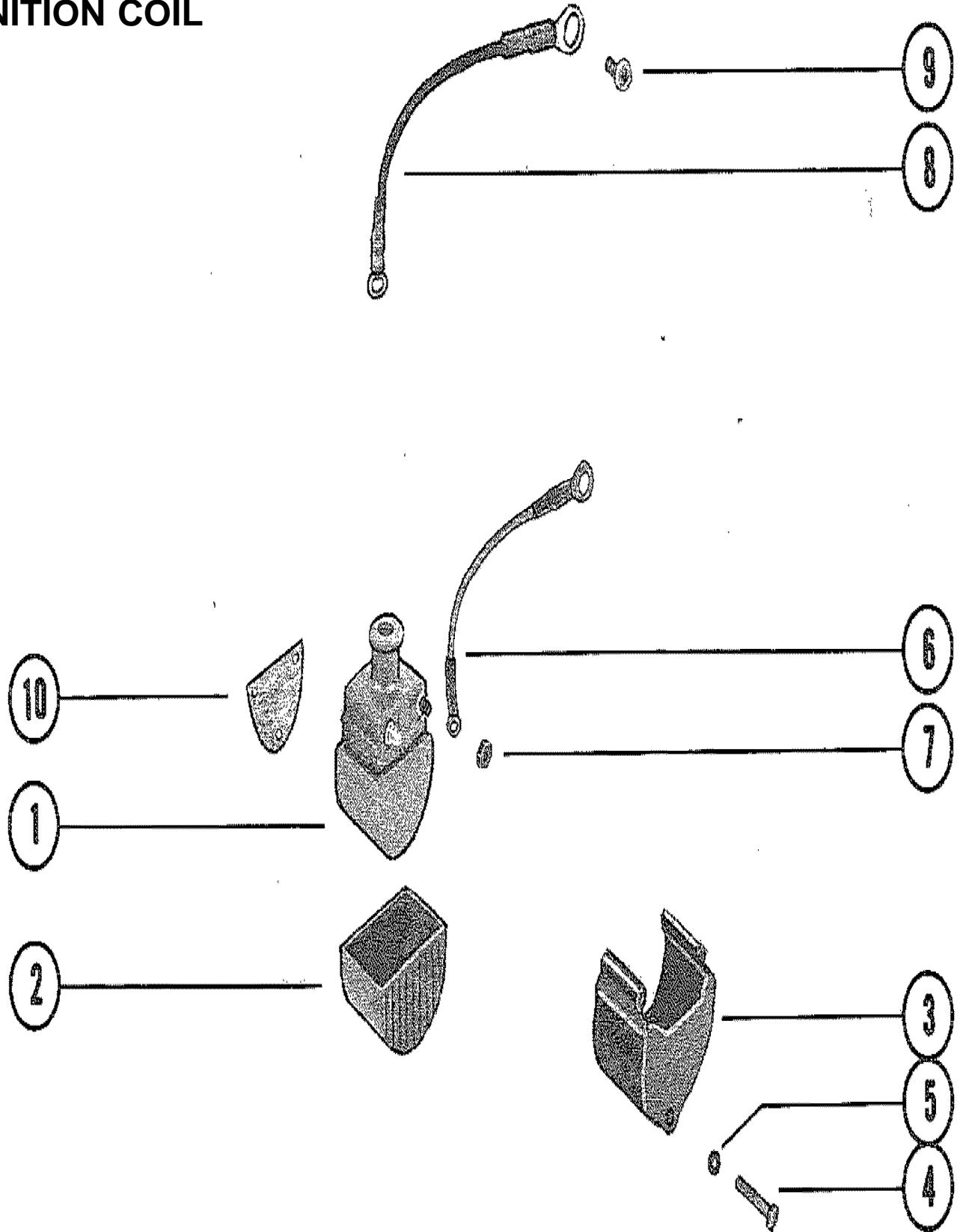
DISTRIBUTOR HOUSING AND ROTOR



DISTRIBUTOR HOUSING AND ROTOR

REF. NO.	PART NO.	SYM.	QTY.	DESCRIPTION
31	45392		1	BRACKET, FRONT - WIRE RETAINER
32	47398		1	BRACKET, REAR - WIRE RETAINER
33	10-62568		4	SCREW, FRONT AND REAR BRACKET ATTACHING
34	45391		2	SPACER, RUBBER - HIGH TENSION LEADS
-	27-60476A75		0	GASKET SET

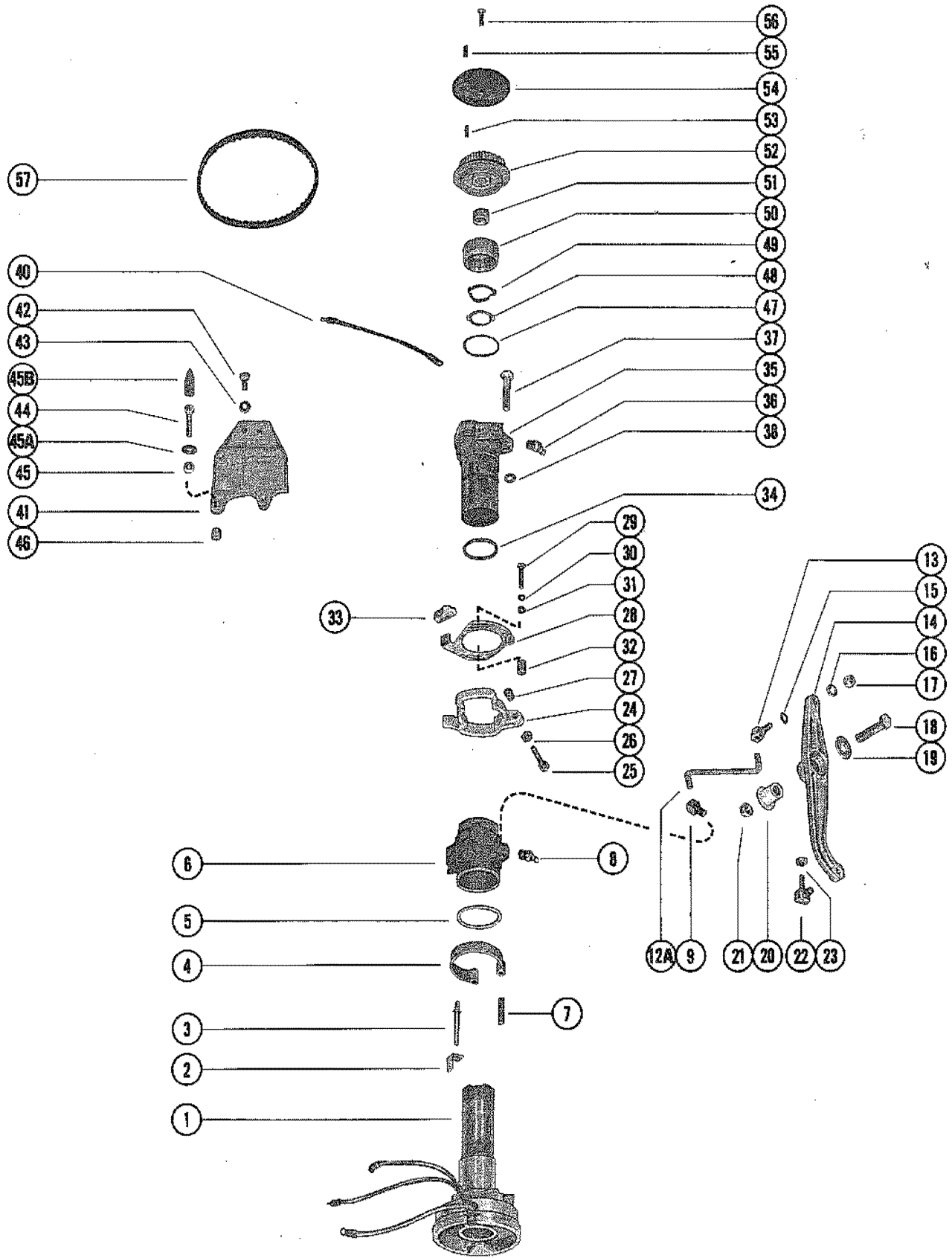
IGNITION COIL



IGNITION COIL

REF. NO.	PART NO.	SYM.	QTY.	DESCRIPTION
1	332-4895A2		1	IGNITION COIL ASSEMBLY
2	63194		1	PAD, RUBBER - IGNITION COIL
3	63195		1	COVER, IGNITION COIL
4	10-69046		3	SCREW, COIL TO CYLINDER BLOCK (2")
5	12-30164		3	WASHER, COIL SCREW
6	84-60466A1		1	CABLE ASSEMBLY
7	11-45076		2	NUT, IGNITION COIL TERMINAL (#10)
8	84-66054A2		1	CABLE ASSEMBLY, COIL TO SWITCH BOX
9	10-62568		1	SCREW IGNITION COIL WIRE TO SWITCH BOX (3/8")
10	69190		1	PLATE, COIL MOUNTING

DISTRIBUTOR ADAPTOR AND VERTICAL LINKAGE

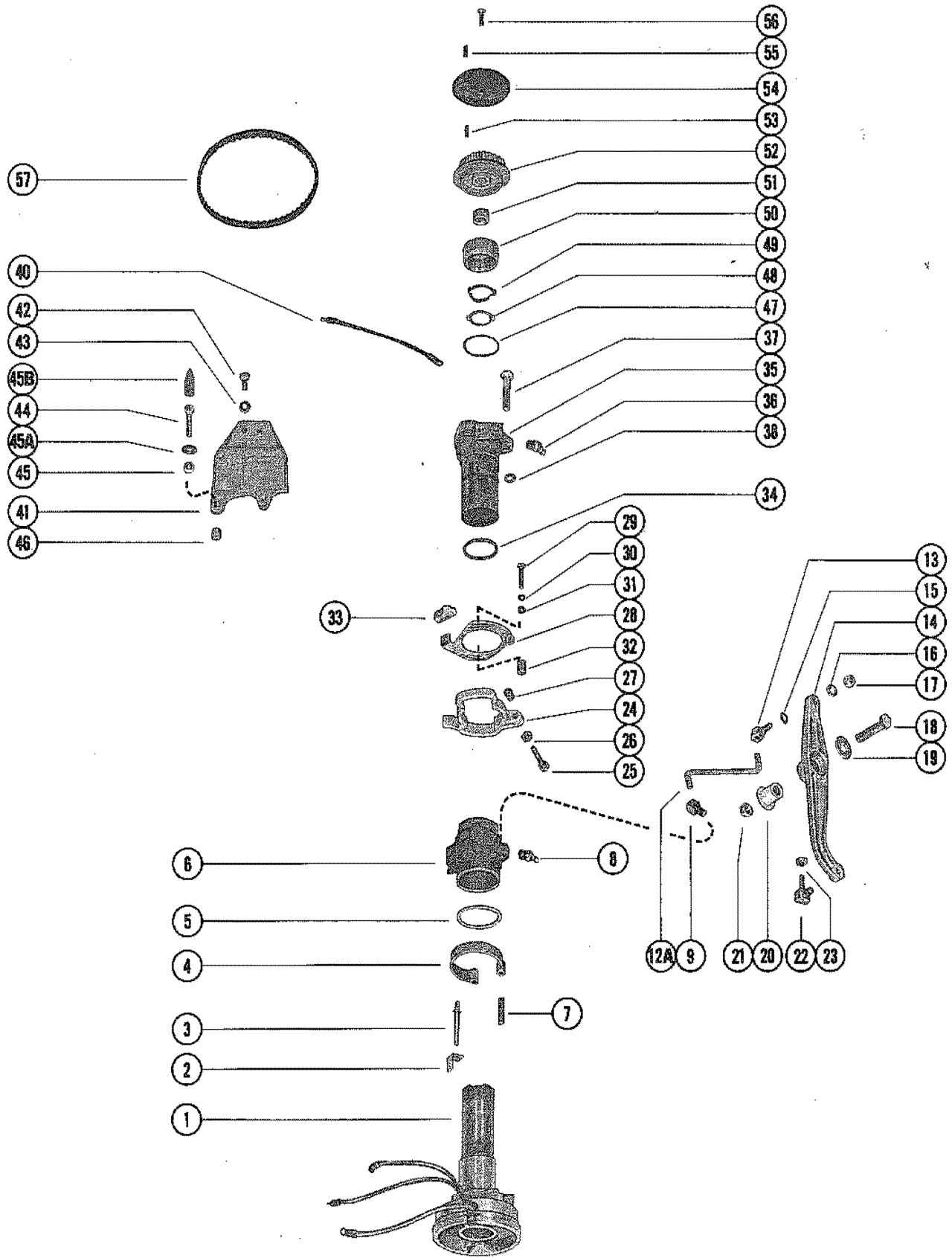


DISTRIBUTOR ADAPTOR AND VERTICAL LINKAGE

REF. NO.	PART NO.	SYM.	QTY.	DESCRIPTION
1	393-3736A77		1	HOUSING ASSEMBLY, DISTRIBUTOR
2	32197		1	STOP, SPARK ADVANCE - DISTRIBUTOR HOUSING
3	17-27962		1	PIN, ANCHOR SPRING - DISTRIBUTOR HOUSING
4	24-27944		1	SPRING, HORSESHOE - DISTRIBUTOR HOUSING
5	12-53540		1	WASHER ECONOMIZER COLLAR - DISTRIBUTOR HOUSING
6	55804A1		1	ECONOMIZER COLLAR ASSEMBLY
7	17-27961		1	PIN, ECONOMIZER COLLAR - SPRING RETAINER
8	22-25094		1	FITTING, GREASE - ECONOMIZER COLLAR
9	27947		1	SWIVEL, LINKAGE - ECONOMIZER COLLAR
12A	67469		1	ROD, LINK - UPPER
13	27948		1	SWIVEL UPPER LINK ROD TO THROTTLE CONTROL LEVER
14	78992		1	LEVER, THROTTLE CONTROL
15	13-39954		1	WASHER WAVE - THROTTLE CONTROL LEVER SWIVEL
16	12-29245		1	WASHER, THROTTLE CONTROL LEVER SWIVEL
17	11-35888		1	NUT, UPPER LINK ROD THROTTLE CONTROL LEVER
18	10-37559		1	SCREW THROTTLE LEVER TO EXHAUST COVER (1 3/4")
19	12-29395		1	WASHER, THROTTLE CONTROL LEVER SCREW
20	23-45818		1	BUSHING, THROTTLE CONTROL LEVER SCREW
21	11-20509		1	NUT, THROTTLE CONTROL LEVER SCREW
22	37587		1	SWIVEL LOWER - THROTTLE CONTROL LEVER TO THROTTLE CABLE
23	11-35888		1	NUT, THROTTLE CABLE TO LOWER SWIVEL
24	48692		1	COLLAR, THROTTLE ACTUATOR
25	10-48675		1	SCREW ADJUSTING - THROTTLE ACTUATOR COLLAR (1 1/2")
26	11-64015		1	NUT THROTTLE ACTUATOR COLLAR ADJUSTING SCREW
27	52023		1	CAP NYLON - THROTTLE ACTUATOR COLLAR ADJUSTING SCREW
28	48671		1	PLATE, THROTTLE ACTUATOR
29	10-37892		2	SCREW THROTTLE ACTUATOR PLATE TO ECONOMIZER COLLAR (1")
30	12-30164		2	WASHER THROTTLE ACTUATOR PLATE FASTENING SCREW
31	13-26996		2	LOCKWASHER THROTTLE ACTUATOR PLATE FASTENING SCREW
32	23-48674		2	SPACER, THROTTLE ACTUATOR PLATE SCREW
33	58454		1	CAM, THROTTLE ACTUATOR PLATE
34	12-46246		1	WASHER, ADAPTOR - DISTRIBUTOR HOUSING
35	66165A2		1	ADAPTOR ASSEMBLY, DISTRIBUTOR
36	22-25094		1	FITTING, GREASE - DISTRIBUTOR ADAPTOR
37	10-29362		3	SCREW DISTRIBUTOR HOUSING TO CRANKCASE (1 1/2")
38	12-20084		3	WASHER, DISTRIBUTOR HOUSING SCREW
40	84-66008A1		1	WIRE, GROUND DISTRIBUTOR ADAPTOR TO FRONT SUPPORT BRACKET
41	55805		1	BRACKET, STOP
42	10-28636		2	SCREW DISTRIBUTOR ADAPTOR TO STOP BRACKET (3/4")

CONTINUED ON NEXT PAGE ➡

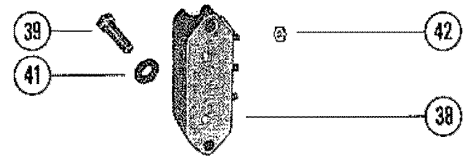
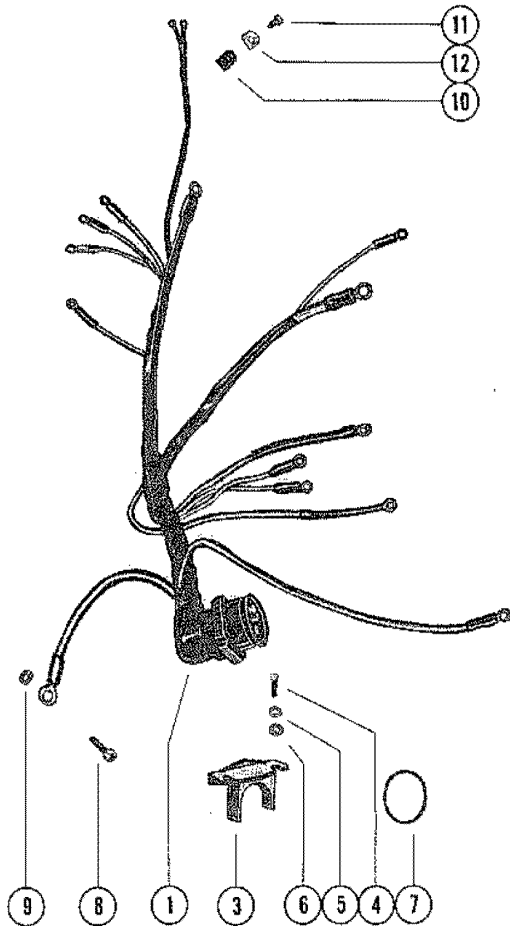
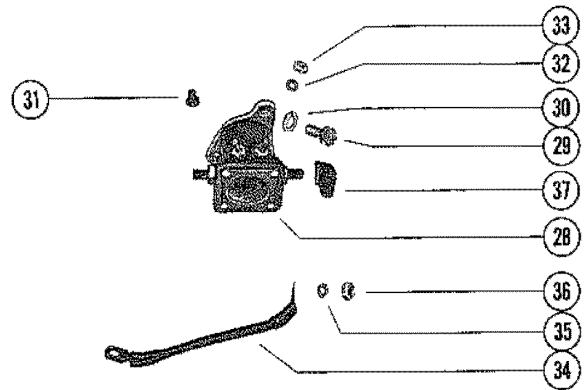
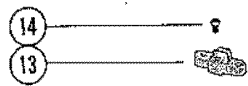
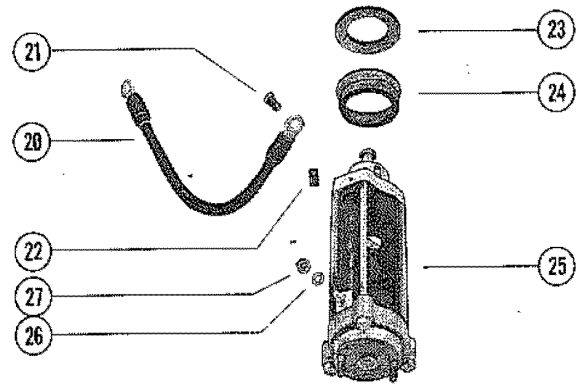
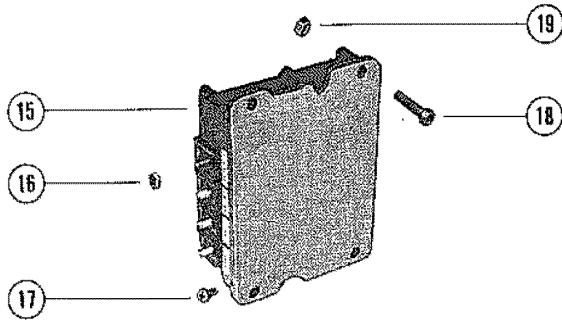
DISTRIBUTOR ADAPTOR AND VERTICAL LINKAGE



DISTRIBUTOR ADAPTOR AND VERTICAL LINKAGE

REF. NO.	PART NO.	SYM.	QTY.	DESCRIPTION
43	12-35462		2	WASHER, STOP BRACKET FASTENING SCREW
44	10-64022		3	SCREW, STOP BRACKET ADJUSTING (2 1/8")
45	11-64015		3	NUT, STOP BRACKET ADJUSTING SCREW
45A	12-24391		1	WASHER, STOP BRACKET ADJUSTING SCREW
45B	85-76199		1	INSULATOR, STOP BRACKET ADJUSTING SCREW
46	52023		3	CAP, NYLON - STOP BRACKET ADJUSTING SCREW
47	12-27939		1	WASHER, DISTRIBUTOR HOUSING
48	14-27960		1	TAB WASHER, ADAPTOR CAP FASTENING
49	13-27959		1	WASHER WAVE - DISTRIBUTOR BALL BEARING TENSION
50	54567		1	CAP, DISTRIBUTOR HOUSING
51	23-47250		1	SPACER, DRIVE PULLEY
52	29906A1		1	DRIVEN PULLEY ASSEMBLY
53	17-29908		1	PIN, ROLL - FLANGE LOCATING
54	29907		1	FLANGE, DRIVEN PULLEY
55	28-29910		1	KEY, DISTRIBUTOR DRIVER
56	10-68554		1	SCREW, PULLEY CLAMPING
57	20140		1	BELT, TIMING

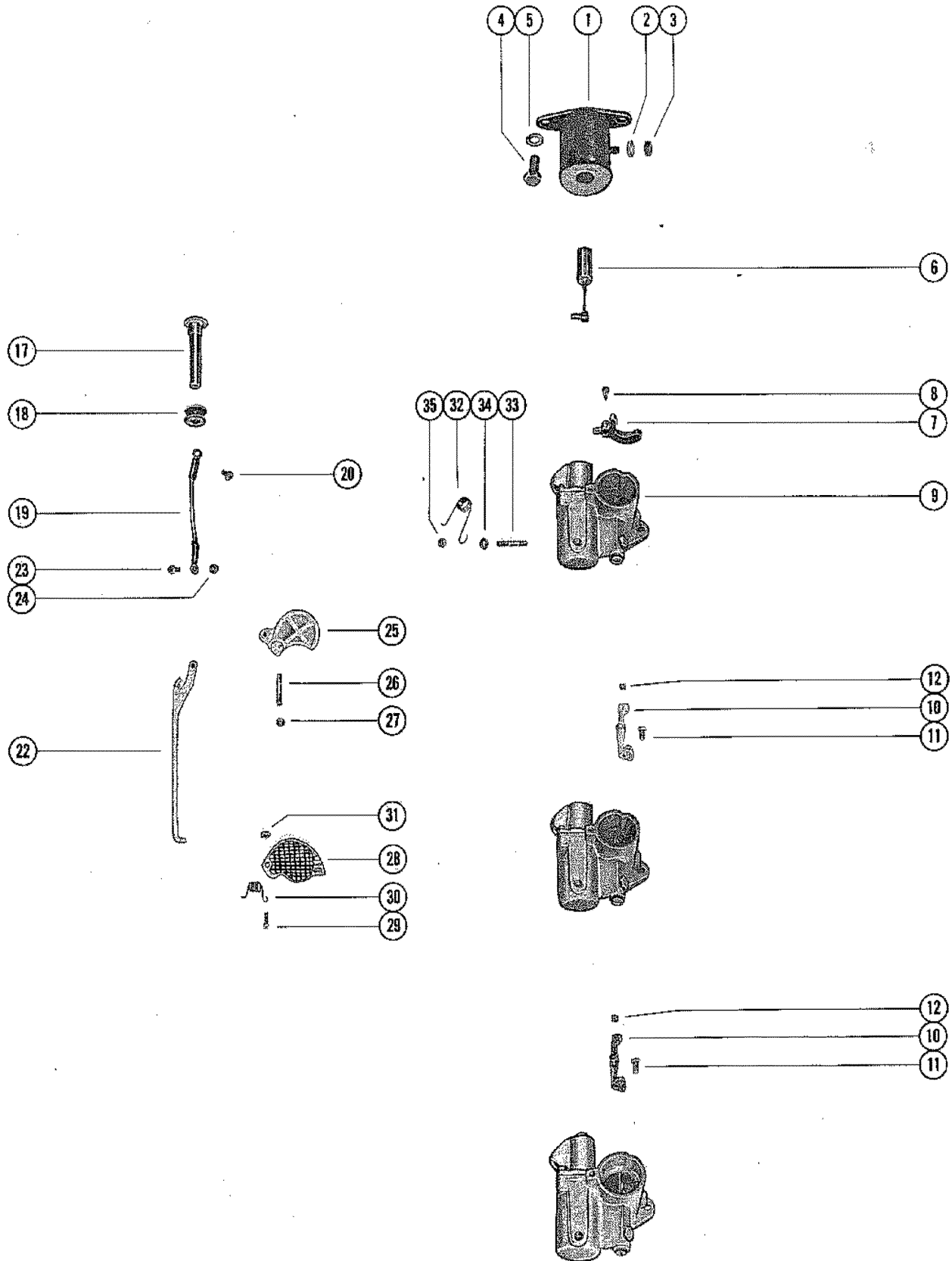
STARTER MOTOR, STARTER SOLENOID, RECTIFIER AND WIRING HARNESS



STARTER MOTOR, STARTER SOLENOID, RECTIFIER AND WIRING HARNES

REF. NO.	PART NO.	SYM.	QTY.	DESCRIPTION
1	84-69236		1	WIRING HARNESS, INTERNAL
3	54-76368		1	CLAMP, WIRING HARNESS TO BOTTOM COWL
4	10-69020		2	SCREW WIRING HARNESS CLAMP TO BOTTOM COWL (7/8")
5	13-26996		2	LOCKWASHER, WIRING HARNESS CLAMP SCREW
6	12-30164		2	WASHER, WIRING HARNESS CLAMP SCREW
7	24-28975		1	SPRING, GARTER - INTERNAL WIRING HARNESS
8	10-69052		1	SCREW, GROUND WIRE TO BOTTOM COWL
9	13-26992		1	LOCKWASHER, GROUND WIRE SCREW
10	54-26538		1	CLIP, STATOR LEADS TO BLOCK (1/8")
11	10-62568		1	SCREW WIRING HARNESS TO FRONT BRACKET (3/8")
12	69205		1	"D" WASHER, WIRING HARNESS CLIP SCREW
13	45559		1	TERMINAL BLOCK, STATOR LEADS
14	10-62568		4	SCREW STATOR LEADS TO TERMINAL BLOCK (3/8")
15	332-2986A21		1	SWITCH BOX ASSEMBLY
16	11-45076		7	NUT, SWITCH BOX TERMINAL
17	10-29794		1	SCREW, SWITCH BOX (3/8")
18	10-64279		4	SCREW SWITCH BOX TO FRONT MOUNTING BRACKET (3/4")
19	11-46887		4	NUT, SWITCH BOX SCREW
20	54651		1	CABLE WIRE - STARTER MOTOR TO FRONT SUPPORT BRACKET
21	10-69035		1	SCREW, WIRE CABLE TO STARTER MOTOR
22	57247		2	STOP, RUBBER - STARTER MOTOR
23	23-56774		AR	SPACER, COLLAR TO TOP MOUNTING CAP
24	56703		2	COLLAR, RUBBER - STARTER MOTOR MOUNT
25	50-72467		1	STARTER MOTOR ASSEMBLY
26	13-26992		1	LOCKWASHER, STARTER MOTOR TERMINAL
27	11-64015		1	NUT, STARTER MOTOR TERMINAL
28	89-68258		1	SOLENOID, STARTER
29	10-38601		2	SCREW, SOLENOID TO BOTTOM COWL (5/8")
30	13-26992		2	LOCKWASHER STARTER SOLENOID FASTENING SCREW
31	26901		1	BUMPER, RUBBER - STARTER SOLENOID
32	13-26996		2	LOCKWASHER, SOLENOID TERMINAL (#10)
33	11-68219		2	NUT, SOLENOID TERMINAL (#10)
34	84-69237		1	CABLE, WIRE - STARTER MOTOR TO SOLENOID
35	13-26993		2	LOCKWASHER, SOLENOID TERMINAL (5/16")
36	11-68292		2	NUT, SOLENOID TERMINAL (5/16")
37	46265		1	BOOT, SOLENOID TERMINAL
38	62351A1		1	RECTIFIER ASSEMBLY
39	10-37656		2	SCREW, RECTIFIER TO FRONT BRACKET (5/8")
42	11-45076		3	NUT, STATOR LEADS TO RECTIFIER

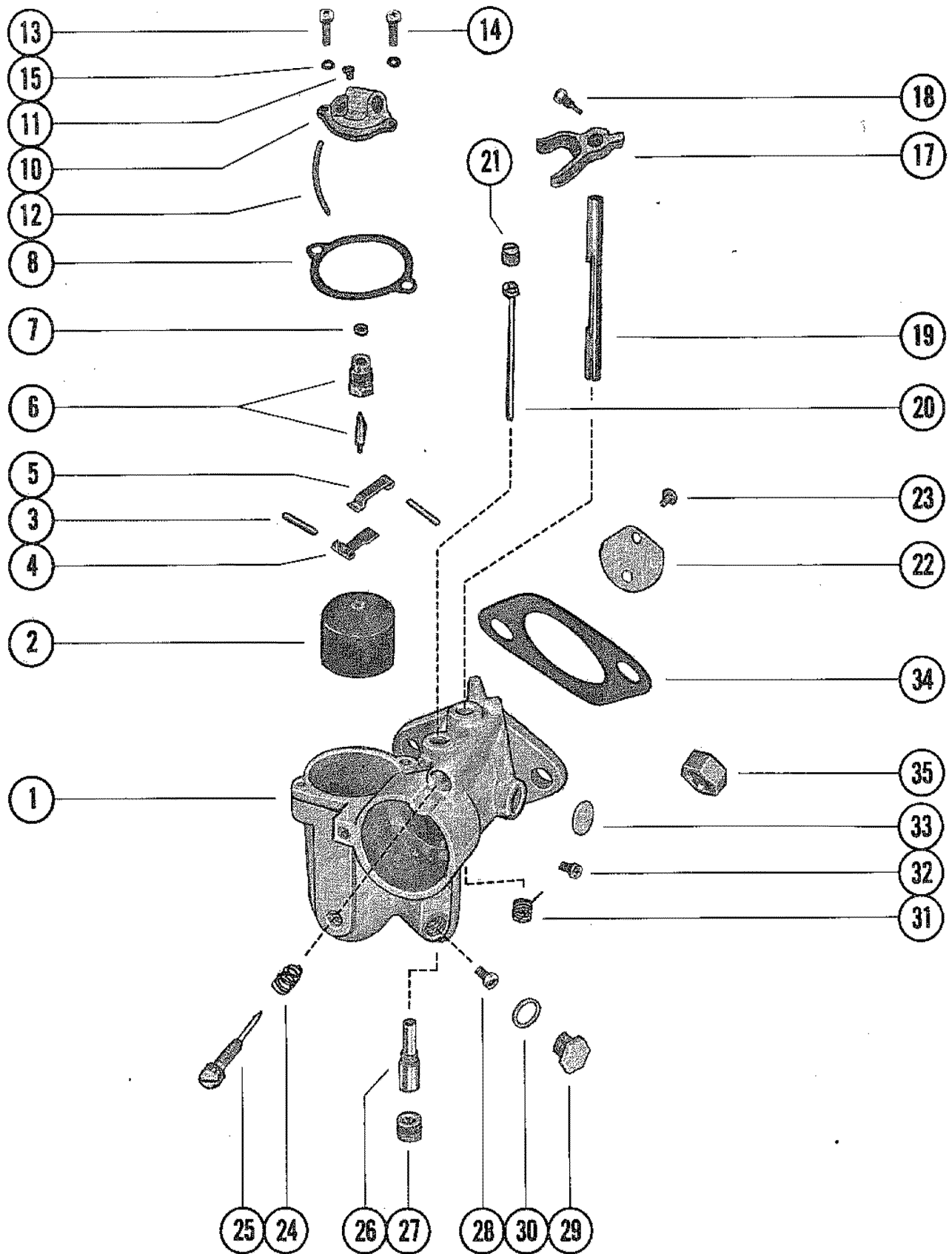
CARBURETOR LINKAGE AND CHOKE SOLENOID



CARBURETOR LINKAGE AND CHOKE SOLENOID

REF. NO.	PART NO.	SYM.	QTY.	DESCRIPTION
1	54293A4		1	CHOKE SOLENOID
2	13-26996		1	LOCKWASHER, SOLENOID TERMINAL
3	11-68219		1	NUT, SOLENOID TERMINAL
4	10-25299		2	SCREW, CHOKE SOLENOID (3/4")
5	13-26993		2	LOCKWASHER, CHOKE SOLENOID SCREW
6	54283A1		1	PLUNGER AND LINK ASSEMBLY, CHOKE SOLENOID
7	52518		1	CLUSTER THROTTLE LEVER (UPPER CARBURETOR)
8	10-20847		1	SCREW, CLUSTER TO THROTTLE LEVER
9	1368-7250		3	CARBURETOR ASSEMBLY, COMPLETE
10	53720A2		2	THROTTLE PICK-UP BRACKET ASSEMBLY
11	10-66104		2	SCREW, THROTTLE BRACKET MOUNTING
12	53665		2	INSERT, THROTTLE COUPLING
17	73755A1		1	KNOB, CHOKE ROD
18	25-20116		1	GROMMET, CHOKE ROD
19	49589		1	STRAP, CHOKE KNOB TO CHOKE ROD
20	10-76196		1	SCREW, STRAP TO CHOKE KNOB (5/8")
22	48203		1	ROD, CHOKE
23	10-48591		1	SCREW, STRAP TO CHOKE ROD (1/2")
24	11-46438		1	NUT, STRAP TO CHOKE ROD SCREW
25	48152		2	SHUTTER, CHOKE - CARBURETOR
26	16-69037		2	STUD, CARBURETOR - CHOKE SHUTTER PIVOT
27	11-20110		2	NUT, CHOKE SHUTTER TO CARBURETOR STUD
28	35-57819		3	SCREEN ASSEMBLY, FILTER - CARBURETOR
29	10-22523		1	SCREW LOWER CARBURETOR FILTER SCREEN TO CARB. (5/8")
	10-23015		2	SCREW UPPER CARBURETOR FILTER SCREEN TO CARB. (1")
30	24-57818		2	SPRING, UPPER FILTER SCREEN SCREW
31	11-20110		3	NUT CARBURETOR FILTER SCREEN FASTENING SCREW
32	24-48230		1	SPRING, CHOKE ROD TENSION
33	16-39937		1	STUD, CHOKE ROD SPRING TO CARBURETOR
34	23-32427		1	SPACER, CHOKE ROD SPRING STUD
35	11-46887		1	NUT CHOKE ROD SPRING TO CARBURETOR STUD

CARBURETOR ASSEMBLY



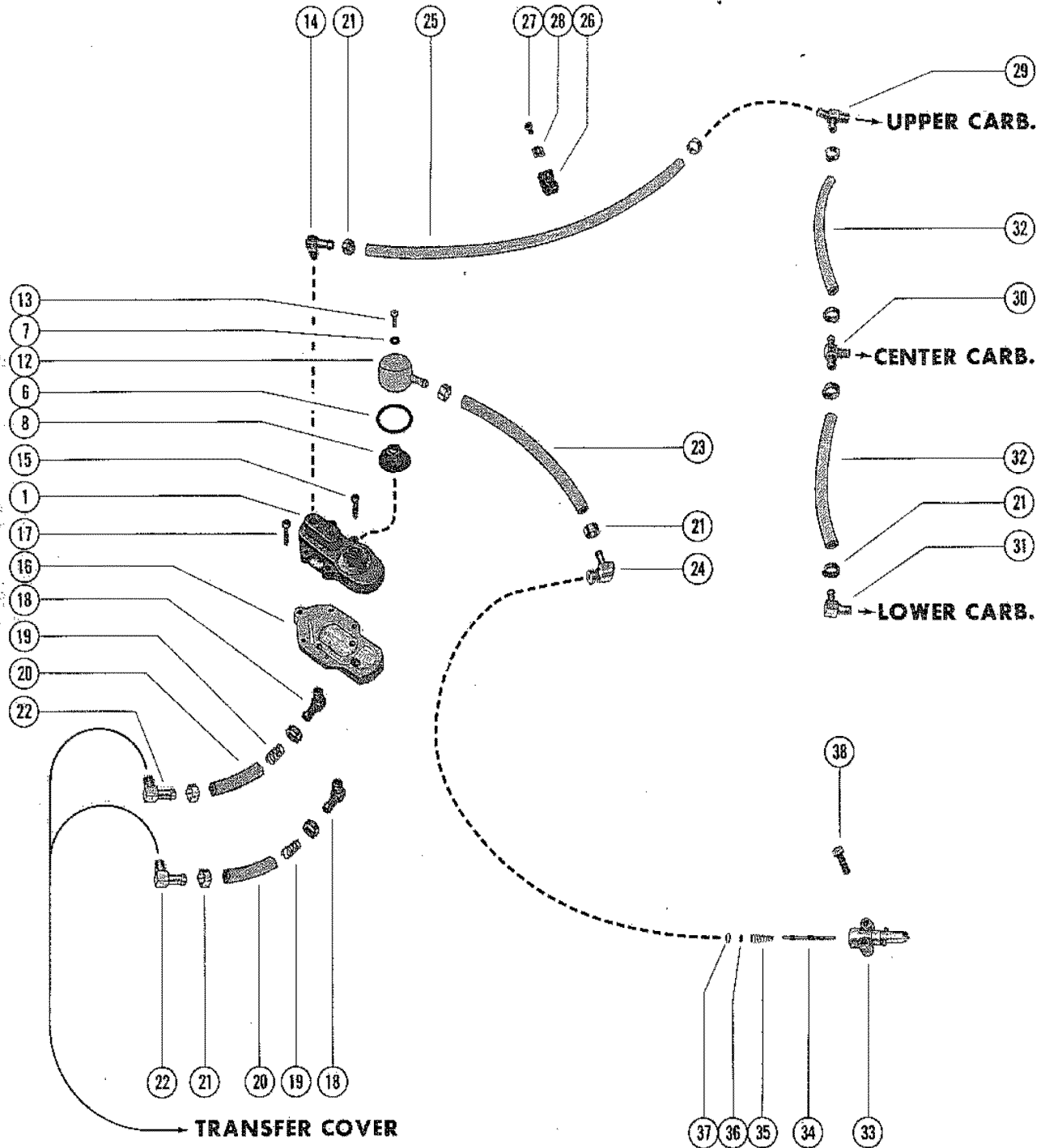
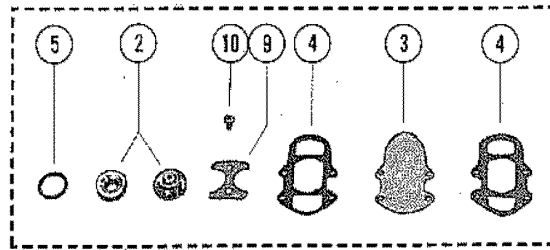
CARBURETOR ASSEMBLY

REF. NO.	PART NO.	SYM.	QTY.	DESCRIPTION
1	1368-7250		3	CARBURETOR ASSEMBLY
2	5353-		3	FLOAT ASSEMBLY
3		■	6	PIN, FLOAT LEVER PINION
4		■	3	LEVER, FLOAT (LOWER)
5		■	3	LEVER, FLOAT (UPPER)
6	1395-7297		3	INLET NEEDLE, SEAT AND GASKET
7		■▲	3	GASKET, INLET SEAT
8		■▲	3	GASKET, FLOAT BOWL COVER
10	1395-5680		3	COVER, FLOAT BOWL
11	1395-5733		3	JET, BOWL VENT
12	1395-5734		3	HOSE, ECONOMIZER
13	10-52195		3	SCREW, FLOAT BOWL COVER
14	1395-4804		3	SCREW, FLOAT BOWL COVER
15	13-26995		6	LOCKWASHER, FLOAT BOWL COVER SCREW
17	1399-97		3	LEVER, THROTTLE (SEE NOTE BELOW)
18	10-20847	■	3	SCREW, THROTTLE STOP LEVER
19	1399-3527		3	SHAFT, THROTTLE
20		■	3	TUBE, IDLE
21	1395-4540		3	SCREW, BODY (IDLE TUBE)
22	1395-5666		3	SHUTTER, THROTTLE
23		■	6	SCREW AND LOCKWASHER, THROTTLE SHUTTER
24		■	3	SPRING, IDLE ADJUSTMENT SCREW
25		■	3	SCREW, IDLE ADJSUTMENT
26		■	3	NOZZLE, MAIN
27	1395-4542		3	SCREW, PLUG - MAIN NOZZLE
28	1399-3518		OPT.	JET, MAIN FUEL (.082)
	1399-3519	■	3	JET, MAIN FUEL (.080) - STANDARD
	1399-3520		OPT.	JET, MAIN FUEL (.0785)
	1399-3796		OPT.	JET, MAIN FUEL (.076)
29	1395-4541		3	SCREW, PLUG - MAIN FUEL JET CHANNEL
30		■▲	3	GASKET, JET CHANNEL PLUG SCREW
31		■	3	SPRING, THROTTLE SHAFT RETURN
32	1395-4543		3	SCREW, BODY CHANNEL
33		■	3	WELCH PLUG, BODY CHANNEL
	1395-4808	■	3	GASKET AND PACKING SET (1 PER CARBURETOR)
	1395-7296		3	REPAIR PARTS KIT (1 PER CARBURETOR)
34	27-48164	■▲	3	GASKET, CARBURETOR FLANGE
35	11-64809		6	NUT, CARBURETOR MOUNTING STUD
-	27-60476A75		0	GASKET SET

USED ON CENTER AND LOWER CARBURETOR ONLY--REPLACED WITH A-[52518] CLUSTER ON UPPER CARBURETOR FOR PLASTIC VENTURI, ORDER A-[52106A1]

- = CONTENTS OF C-[27-60476A75] GASKET SET
- = COMPONENT OF REPAIR PARTS KIT.
- ▲ = COMPONENT OF GASKET AND PACKING SET.

FUEL PUMP AND FUEL LINE ASSEMBLY

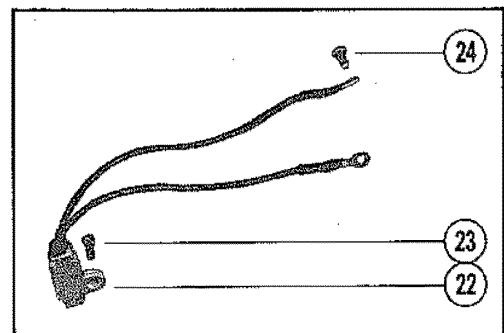
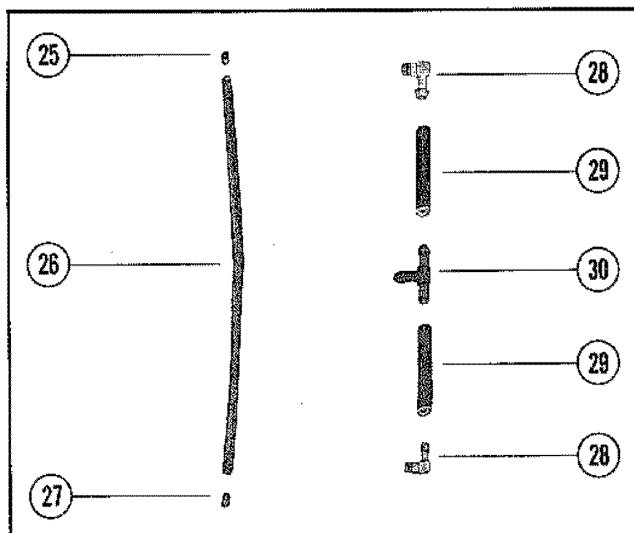
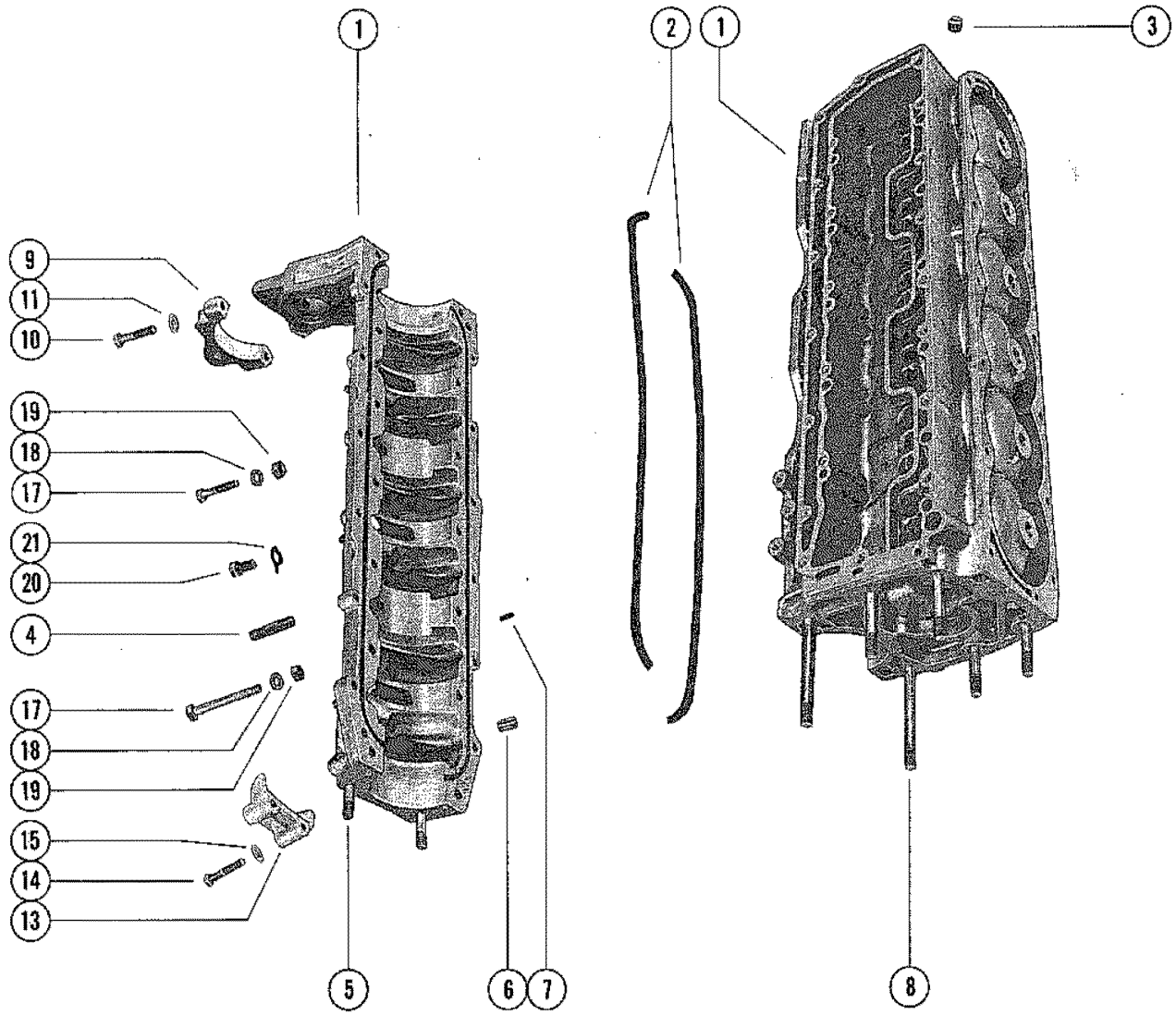


FUEL PUMP AND FUEL LINE ASSEMBLY

REF. NO.	PART NO.	SYM.	QTY.	DESCRIPTION
1	66530A2		1	FUEL PUMP ASSEMBLY
2	21-30430A7		1	CHECK VALVE ASSEMBLY
3	66599A1	■	1	DIAPHRAGM ASSEMBLY
4		■	2	GASKET, DIAPHRAGM
5		■	2	GASKET, CHECK VALVE
6		■	1	"O" RING, COVER TO HOUSING
7		■	1	GASKET, NYLON - FILTER COVER SCREW
8	35-59072	■	1	SCREEN, FILTER - INLET
9	23004		1	RETAINER, CHECK VALVE
10	10-20037		2	SCREW, RETAINER TO FUEL PUMP (1/4")
12	59071		1	COVER, FUEL INLET
13	10-37370		1	SCREW, COVER TO FUEL PUMP (5/8")
18	22-64704		2	FITTING, PULSE LINE (90 DEG.)
19	24-68434		2	SPRING, PULSE LINE
20	32-70432		2	PULSE LINE (3 1/4")
21	54-68424		12	CLAMP, FUEL LINE ATTACHING
22	22-64704		2	FITTING, PULSE LINE TO TRANSFER COVER (90 DEG.)
23	32-70432		1	FUEL LINE, ADAPTOR TO FUEL PUMP (6 3/4")
24	22-63981		1	ELBOW, FUEL LINE TO ADAPTOR
25	32-70432		1	FUEL LINE FUEL PUMP TO UPPER CARBURETOR (15 3/4")
26	54-22627		1	CLIP, FUEL LINE ATTACHING
27	10-62568		1	SCREW, FUEL LINE CLIP (3/8")
28	69205		1	"D" WASHER, FUEL LINE CLIP SCREW
29	22-66328		1	FITTING, TEE - UPPER CARBURETOR
30	22-64706		1	FITTING, TEE - CENTER CARBURETOR
31	22-64704		1	FITTING, ELBOW - LOWER CARBURETOR
32	32-70432		2	FUEL LINE CARBURETOR TO CARBURETOR (6 1/4")
33	22833		1	ADAPTOR, CHECK UNIT (FUEL LINE)
34	23069		1	STEM, CHECK UNIT ADAPTOR
35	24-23067		1	SPRING, ADAPTOR STEM
36	25-20415	■	1	"O" RING, ADAPTOR STEM
37	30188		1	CUP WASHER, ADAPTOR
38	10-69029		2	SCREW, ADAPTOR TO BOTTOM COWL (1 3/4")
-	27-60476A75		0	GASKET SET

■ = CONTENTS OF C-[27-60476A75] GASKET SET

CYLINDER BLOCK AND CRANKCASE ASSEMBLY

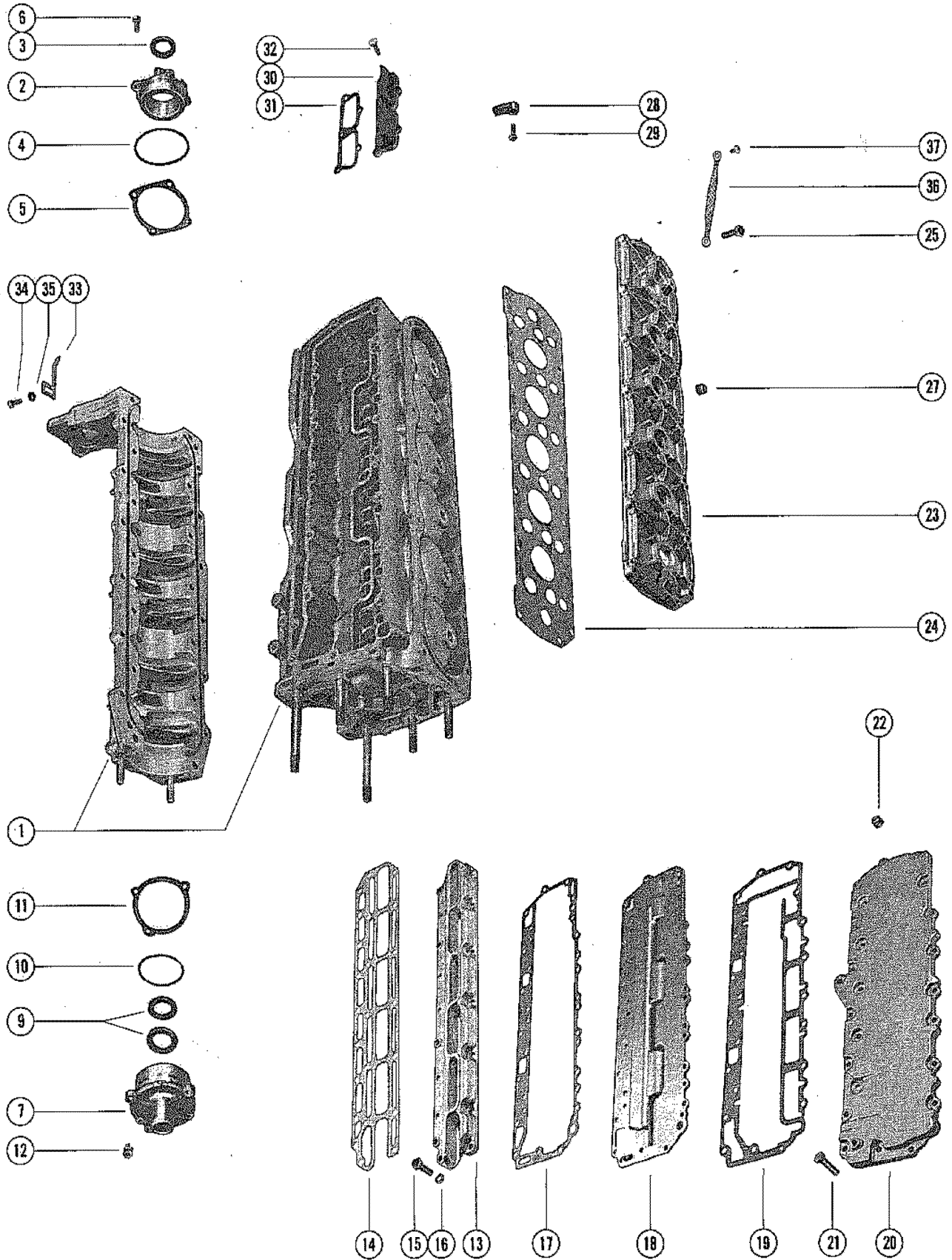


CYLINDER BLOCK AND CRANKCASE ASSEMBLY

REF. NO.	PART NO.	SYM.	QTY.	DESCRIPTION
1	852-6687A1		1	CYLINDER BLOCK AND CRANKCASE ASSEMBLY
2	27-53862		2	GASKET, CRANKCASE TO CYLINDER BLOCK
3	66517		5	RESTRICION, CRANKCASE BLEED
4	16-64280		6	STUD, CARBURETOR MOUNTING (1 3/16")
5	16-64281		2	STUD CRANKCASE TO EXHAUST EXTENSION PLATE (1 7/8")
6	17-20033		2	PIN, DOWEL - CRANKCASE TO CYLINDER BLOCK
7	17-63779		3	PIN, DOWEL - CYLINDER BLOCK TO MAIN BEARING
8	16-64282		6	STUD CYLINDER BLOCK TO DRIVE SHAFT HOUSING PLATE (4")
9	56029		1	COVER, STARTER MOTOR BRACKET - TOP
10	10-69762		1	SCREW, TOP COVER ATTACHING (1 3/8")
	10-69267		1	SCREW, TOP COVER ATTACHING (1 3/4")
11	13-26993		2	LOCKWASHER, TOP COVER SCREWS
13	76867		1	COVER, STARTER MOTOR BRACKET - BOTTOM
14	10-69268		2	SCREW, BOTTOM COVER ATTACHING (1 7/8")
15	13-26993		2	LOCKWASHER, BOTTOM COVER SCREW
17	10-57841		3	SCREW, CRANKCASE TO CYLINDER BLOCK (2 3/4")
	10-32293		2	SCREW, CRANKCASE TO CYLINDER BLOCK (1 3/4")
	10-73657		20	SCREW, CRANKCASE TO CYLINDER BLOCK (1 1/2")
18	12-22753		25	WASHER CRANKCASE TO CYLINDER BLOCK SCREWS
19	11-29250		2	NUT CRANKCASE TO CYLINDER BLOCK SCREWS (LOWER)
20	10-20359		2	SCREW, CENTER MAIN BEARING LOCKING
21	14-20091		2	TAB WASHER, BEARING LOCKING SCREW
22	58124A4		1	SWITCH, MERCURY
23	10-69235		1	SCREW SWITCH TO FRONT MOUNTING BRACKET (1/2")
24	10-62568		1	SCREW, MERCURY SWITCH LEAD
25	21-77560		1	CHECK VALVE, BLEED HOSE - UPPER
26	32-54936		1	HOSE, BLEED (22")
27	21-77561		1	CHECK VALVE, BLEED HOSE - LOWER
28	22-20781		2	ELBOW, BALANCE HOSE
29	32-34395A1		2	HOSE, BALANCE - MAIN BEARING (6 1/4")
30	22-78742		1	TEE, BALANCE HOSE

FOR REPLACEMENT OF POWERHEAD ASSEMBLY, COMPLETE, WHICH INCLUDES CYLINDER BLOCK AND CRANKCASE, PISTONS, CONNECTING RODS AND BEARINGS, ETC. ORDER: A-[64875A78] POWERHEAD ASSEMBLY

END CAP, MANIFOLD AND EXHAUST COVERS

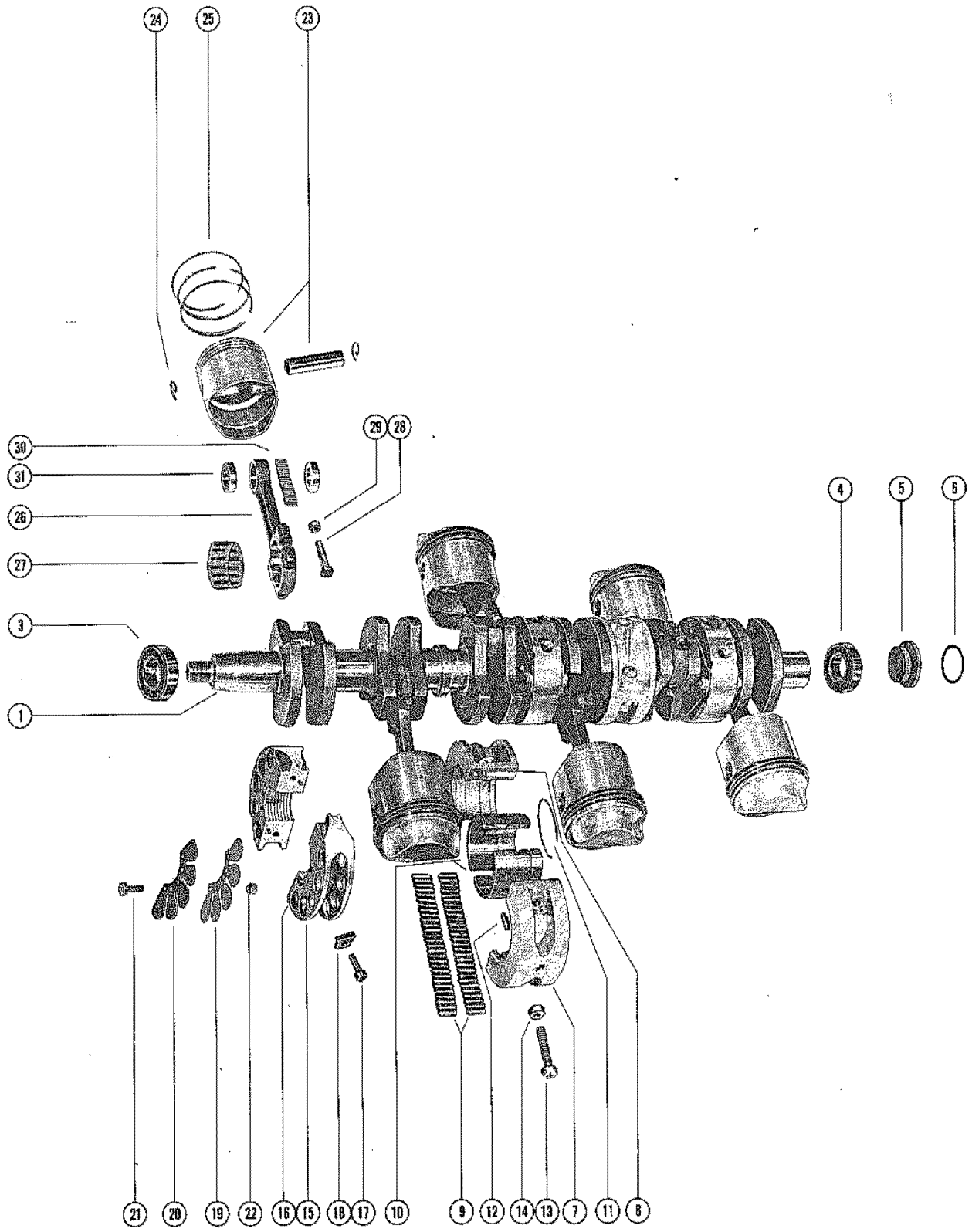


END CAP, MANIFOLD AND EXHAUST COVERS

REF. NO.	PART NO.	SYM.	QTY.	DESCRIPTION
1	852-6687A1		1	CYLINDER BLOCK AND CRANKCASE ASSEMBLY
2	1134-3197A1		1	END CAP ASSEMBLY
3	26-29476		1	OIL SEAL, END CAP
4	25-47254	■	1	"O" RING
5	15-47248A1		AR	SHIM, END CAP TO CRANKCASE (.006-8-10)
6	10-69034		4	SCREW, END CAP MOUNTING
7	1148-5410A1		1	END CAP ASSEMBLY, LOWER
9	26-29476		2	OIL SEAL, END CAP
10	25-32546	■	1	"O" RING, END CAP
11	15-20085A1		AR	SHIM, END CAP TO CRANKCASE (.002-3-5-10)
12	10-69034		3	SCREW, END CAP MOUNTING (1")
13	71808		1	COVER, WATER JACKET - CYLINDER BLOCK
14	27-72142	■	1	GASKET, WATER JACKET COVER
15	10-53167		23	SCREW WATER JACKET COVER TO CYLINDER BLOCK (7/8")
16	12-70132		23	WASHER WATER JACKET COVER FASTENING SCREW
17	27-72507	■	1	GASKET, CYLINDER BLOCK TO BAFFLE PLATE
18	75778		1	PLATE, BAFFLE - EXHAUST MANIFOLD
19	27-72509	■	1	GASKET BAFFLE PLATE TO EXHAUST MANIFOLD COVER
20	79019		1	COVER, EXHAUST MANIFOLD
21	10-53576		24	SCREW, MANIFOLD COVER MOUNTING
22	22-32802		1	PLUG, PIPE - EXHAUST MANIFOLD COVER
23	1023-5070		1	COVER, CYLINDER BLOCK
24	27-72506	■	1	GASKET, CYLINDER BLOCK COVER
25	10-69100		16	SCREW, COVER MOUNTING (1")
27	22-68307		1	PLUG, PIPE - CYLINDER BLOCK COVER
28	37440		1	BRACKET, MOUNT SUPPORT - CYLINDER BLOCK
29	10-24234		1	SCREW, BRACKET TO CYLINDER BLOCK (1")
30	62301		2	COVER, TRANSFER PORT (TOP/MIDDLE)
	66094		1	COVER, TRANSFER PORT (BOTTOM)
31	27-64941	■	1	GASKET, TRANSFER PORT COVER
32	10-69100		16	SCREW, TRANSFER PORT COVER MOUNTING (1")
	10-28636		11	SCREW TRANSFER PORT COVER MOUNTING (3/4")
33	76367		1	POINTER, TIMING
34	10-28636		1	SCREW, TIMING POINTER ATTACHING (3/4")
35	12-35462		1	WASHER, TIMING POINTER SCREW
36	46933A3		2	GROUND STRAP ASSEMBLY, EXHAUST COVER
37	10-62568		2	SCREW, GROUND STRAP ATTACHING (3/8")
-	27-60476A75		0	GASKET SET

■ = CONTENTS OF C-[27-60476A75] GASKET SET

CRANKSHAFT, PISTONS AND CONNECTING RODS

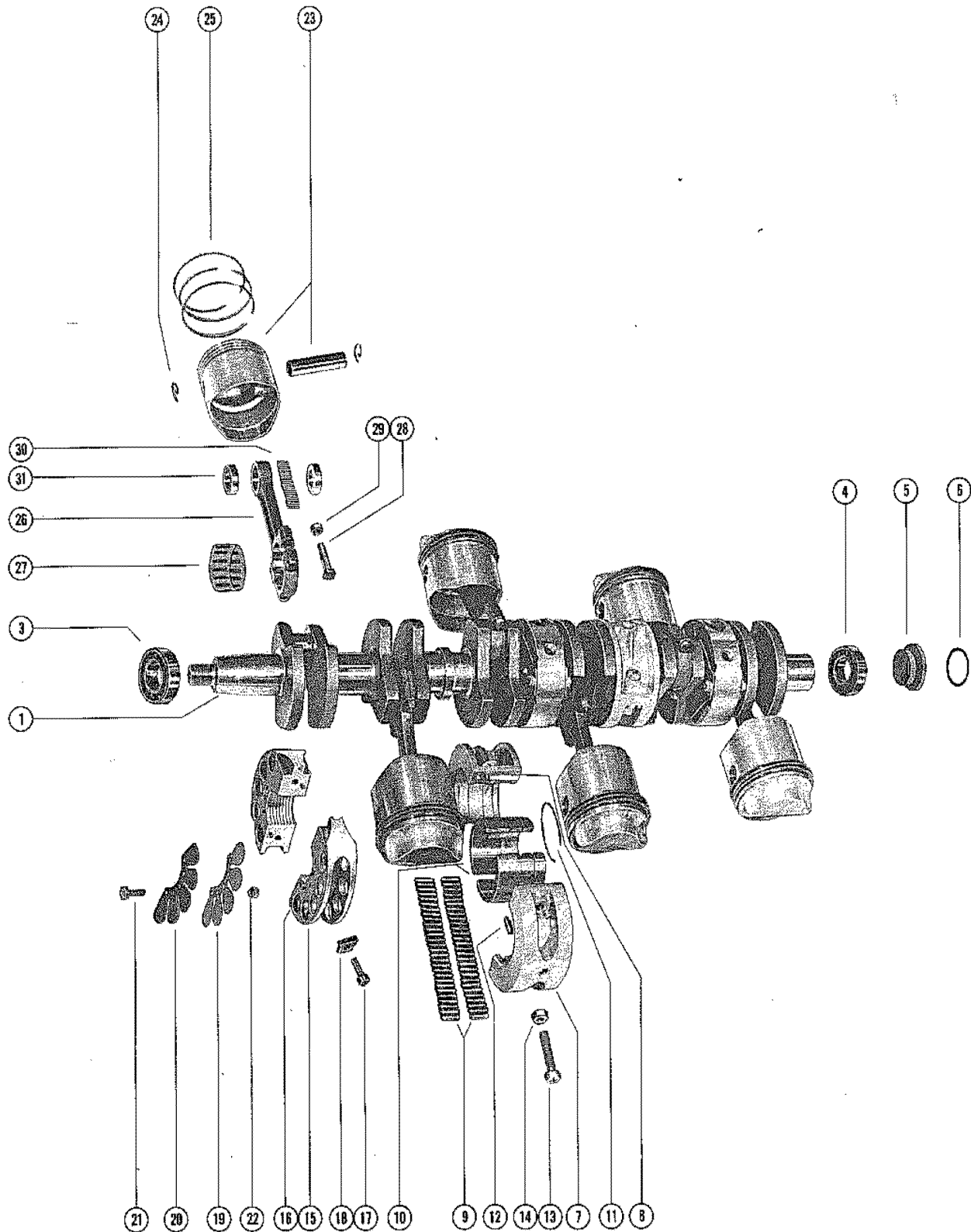


CRANKSHAFT, PISTONS AND CONNECTING RODS

REF. NO.	PART NO.	SYM.	QTY.	DESCRIPTION
1	436-6646A2		1	CRANKSHAFT ASSEMBLY
3	30-62567		1	BEARING, BALL - UPPER
4	30-63742		1	BEARING, BALL - LOWER
5	54196A6		1	CARRIER ASSEMBLY, "O" RING
6	65800	■	1	"O" RING, CARRIER
7	535-5397A4		2	CENTER MAIN BEARING ASSEMBLY
8	17-20032		4	DOWEL PIN, CENTER MAIN BEARING
9	29-52168		112	BEARING, NEEDLE - OUTER RACE
10	26113		2	RACE, OUTER (PAIR)
11	53-26933		2	RING, SNAP - OUTER RACE
12	17-47246		2	DOWEL PIN, STEPPED
13	10-22968		4	SCREW, CENTER MAIN BEARING CLAMPING
14	11-46887		4	NUT, BEARING CLAMPING SCREW
15	540-5266A4		3	MAIN BEARING ASSEMBLY, VALVE TYPE
16	17-20032		6	DOWEL PIN, MAIN BEARING
17	10-45775		6	SCREW, MAIN BEARING CLAMPING
18	11-45774		6	NUT, MAIN BEARING CLAMPING SCREW
19	34-65312A1		3	REED SET, MATCHED - MAIN BEARING
20	34-65319		12	REED STOP, MAIN BEARING REED VALVES
21	10-62204		30	SCREW, REED STOP MOUNTING
22	11-53153		30	NUT, REED STOP SCREW
23	745-6637A3		6	PISTON AND PISTON PIN ASSEMBLY
24	40-52035		12	LOCK RING, PISTON PIN
25	39-78816A12		2	RING, PISTON
26	622-4850A3		6	CONNECTING ROD AND CAP ASSEMBLY
27	31-62596A1		6	BEARING ASSEMBLY, CRANKPIN
28	10-54803		12	SCREW, CONNECTING ROD
29	11-49091		12	NUT, CONNECTING ROD SCREW
30	29-47270		174	BEARING, NEEDLE - PISTON PIN
31	12-47247		12	WASHER, NEEDLE LOCATING
-	27-60476A75		0	GASKET SET

■ = CONTENTS OF C-[27-60476A75] GASKET SET

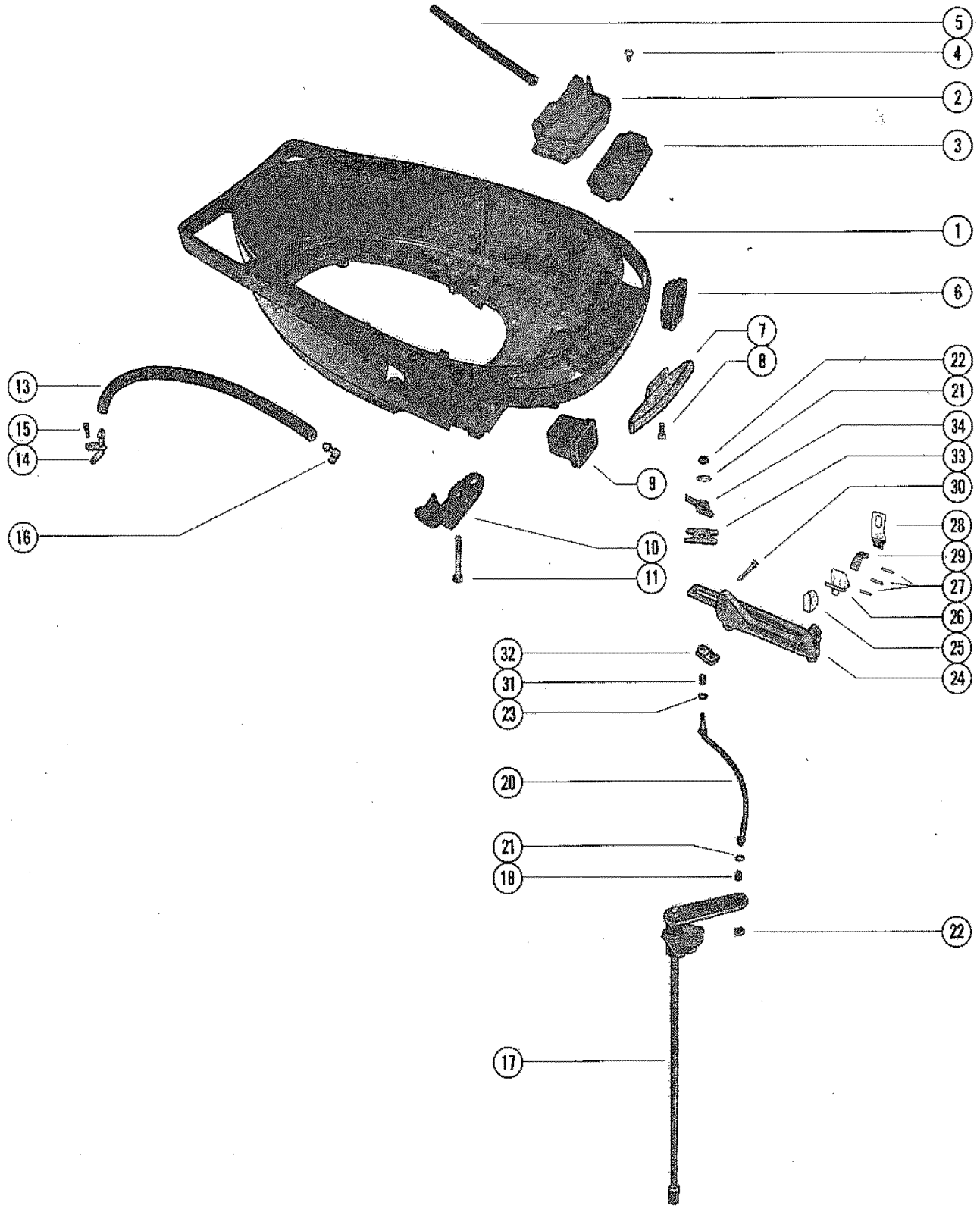
.015 OVERSIZE PISTONS AND RINGS



.015 OVERSIZE PISTONS AND RINGS

REF. NO.	PART NO.	SYM.	QTY.	DESCRIPTION
-	745-6694A2		6	PISTON AND PISTON PIN ASSEMBLY
-	39-78811A12		2	RING, PISTON

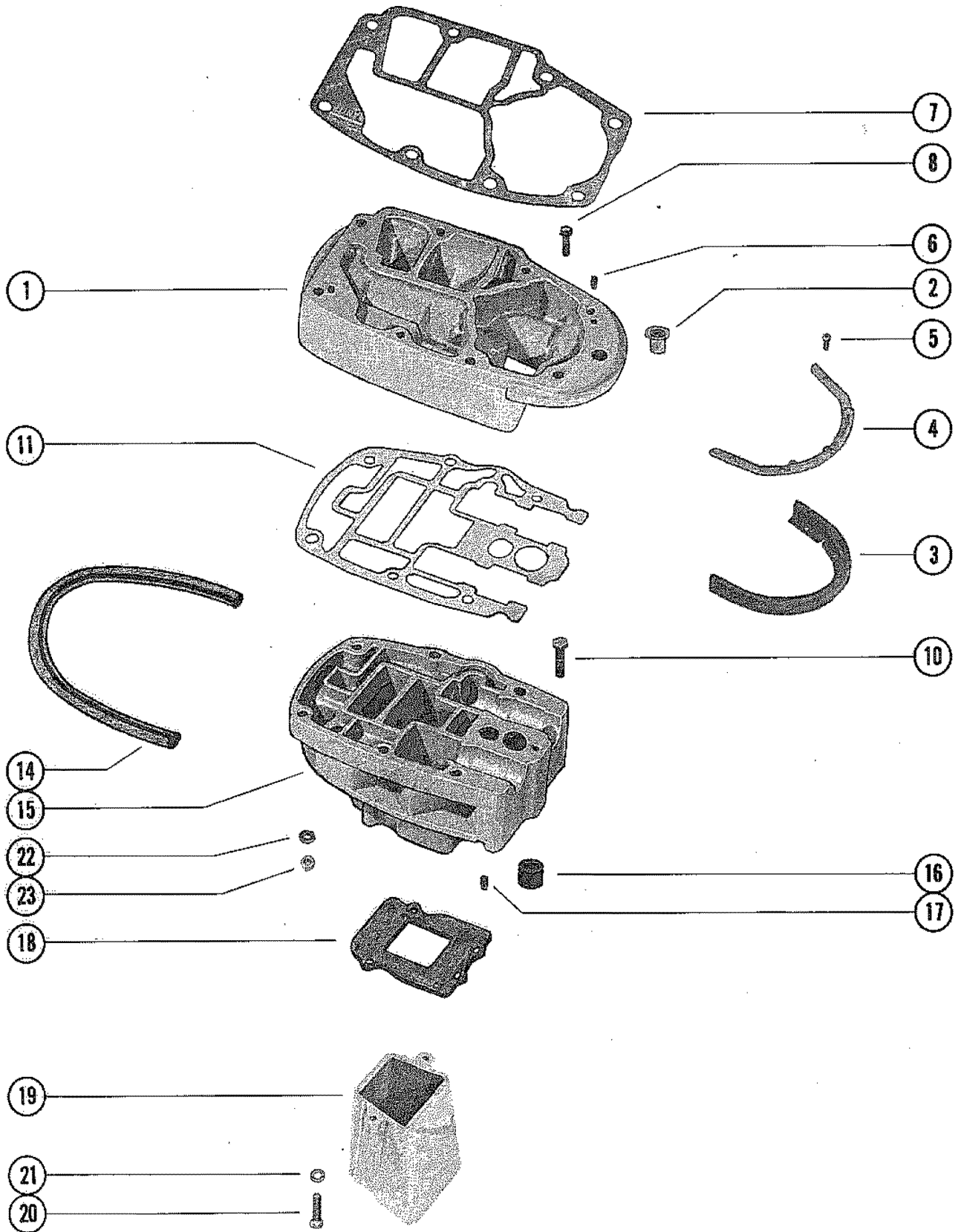
BOTTOM COWL AND SHIFT LINKAGE



BOTTOM COWL AND SHIFT LINKAGE

REF. NO.	PART NO.	SYM.	QTY.	DESCRIPTION
1	2115-662		1	COWL, BOTTOM
2	52862A2		1	DRIP TRAY SSEMBLY, BOTTOM COWL
3	37940		1	PAD, SOUND - DRIP TRAY
4	10-48408		4	SCREW, DRIP TRAY TO BOTTOM COWL (1/2")
5	32-34395A1		1	HOSE, DRIP TRAY TO BOTTOM COWL (8")
6	39616		1	BOOT, CONTROL CABLES - BOTTOM COWL
7	76369		1	SPACER, BOTTOM COWL (COWL FRONT COVER)
8	10-48591		2	SCREW, SPACER TO BOTTOM COWL (1/2")
9	37637		1	BOOT, FUEL CONNECTOR - BOTTOM COWL
10	37445		1	SUPPORT, WIRING HARNESS - BOTTOM COWL
11	10-69029		2	SCREW, SUPPORT TO BOTTOM COWL (1 3/4")
13	32-34395A1		1	HOSE TELL TALE - EXHAUST COVER TO BOTTOM COWL (21 1/2")
14	52889		1	NOZZLE, TELL TALE HOSE TO BOTTOM COWL
15	10-48408		1	SCREW TELL TALE NOZZLE TO BOTTOM COWL (1/2")
16	22-78279		1	ELBOW, TELL TALE HOSE TO CYLINDER BLOCK
17	60304A54		1	SHIFT SHAFT ASSEMBLY, UPPER
18	23-26600		1	BUSHING, SHIFT SHAFT
20	48047A1		1	LINK ROD ASSEMBLY
21	12-35462		2	WASHER, LINK ROD
22	11-36069		2	NUT, LINK ROD
23	13-29720		1	WASHER, WAVE - LINK ROD
24	52732		1	BRACKET, ANCHOR - CONTROL CABLES
25	39519		1	CAP, BARREL RETAINER - ANCHOR BRACKET
26	39618		1	LEVER, NYLON - SHIFT CABLE LOCKING
27	17-47175		3	PIN, LOCKING LEVER AND COVER FASTENING
28	39667		1	COVER, NYLON - SHIFT CABLE
29	65799		1	LINK, LOCKING LEVER TO COVER
30	10-24234		3	SCREW ANCHOR BRACKET TO CYLINDER BLOCK (1")
31	24-20099		1	SPRING, LINK ROD TO GUIDE BLOCK
32	37896		1	GUIDE BLOCK, LINK ROD
33	52100		1	WEAR PLATE, LINK ROD
34	38279		1	LATCH CONTROL CABLE FASTENING - ANCHOR BRACKET

EXHAUST EXTENSION PLATE

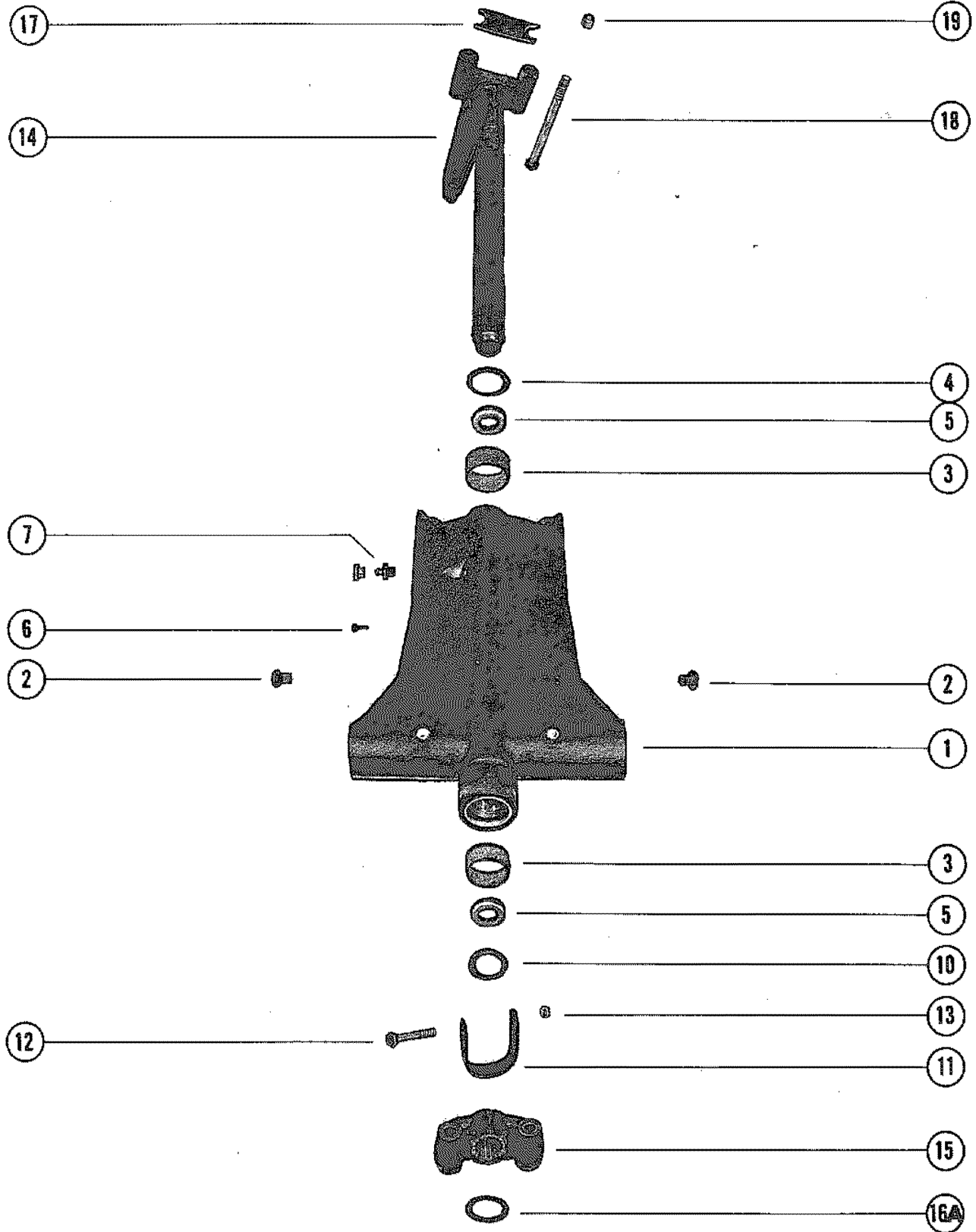


EXHAUST EXTENSION PLATE

REF. NO.	PART NO.	SYM.	QTY.	DESCRIPTION
1	66096A1		1	PLATE ASSEMBLY, EXHAUST EXTENSION
2	23-27132		1	BUSHING, NYLON - EXHAUST EXTENSION PLATE
3	37918		1	SEAL, EXHASUT EXTENSION PLATE
4	38032		1	STRIP RETAINING - EXHAUST EXTENSION PLATE SEAL
5	10-37571		5	SCREW SEAL AND RETAINING STRIP TO EXT. PLATE (1/2")
6	17-23784		2	DOWEL PIN, EXHAUST EXTENSION PLATE
7	27-69238	■	1	GASKET, POWERHEAD TO EXTENSION PLATE
8	10-66023		2	SCREW, ADAPTOR PLATE TO HOUSING PLATE (2")
10	10-66023		7	SCREW, HOUSING PLATE TO DRIVE SHAFT HSG. (2")
11	27-66102	■	1	GASKET, PLATE TO DRIVE SHAFT HSG. PLATE
14	26-60898		1	SEAL, DRIVE SHAFT HOUSING PLATE
15	74257A3		1	PLATE ASSEMBLY, DRIVE SHAFT HOUSING
16	26-38970	■	1	SEAL, RUBBER - WATER INLET TUBE
17	17-23784		2	DOWEL PIN, DRIVE SHAFT HOUSING PLATE
18	27-62362	■	1	GASKET MEGAPHONE TO DRIVE SHAFT HOUSING PLATE
19	60437		1	MEGAPHONE, EXHAUST
20	10-60480		3	SCREW MEGAPHONE TO DRIVE SHAFT HOUSING PLATE (1 1/8")
21	12-29245		3	WASHER, MEGAPHONE SCREW
22	12-25970		6	WASHER, POWERHEAD STUD
23	11-34932		6	NUT, POWERHEAD STUD
-	27-60476A75		0	GASKET SET

■ = CONTENTS OF C-[27-60476A75] GASKET SET

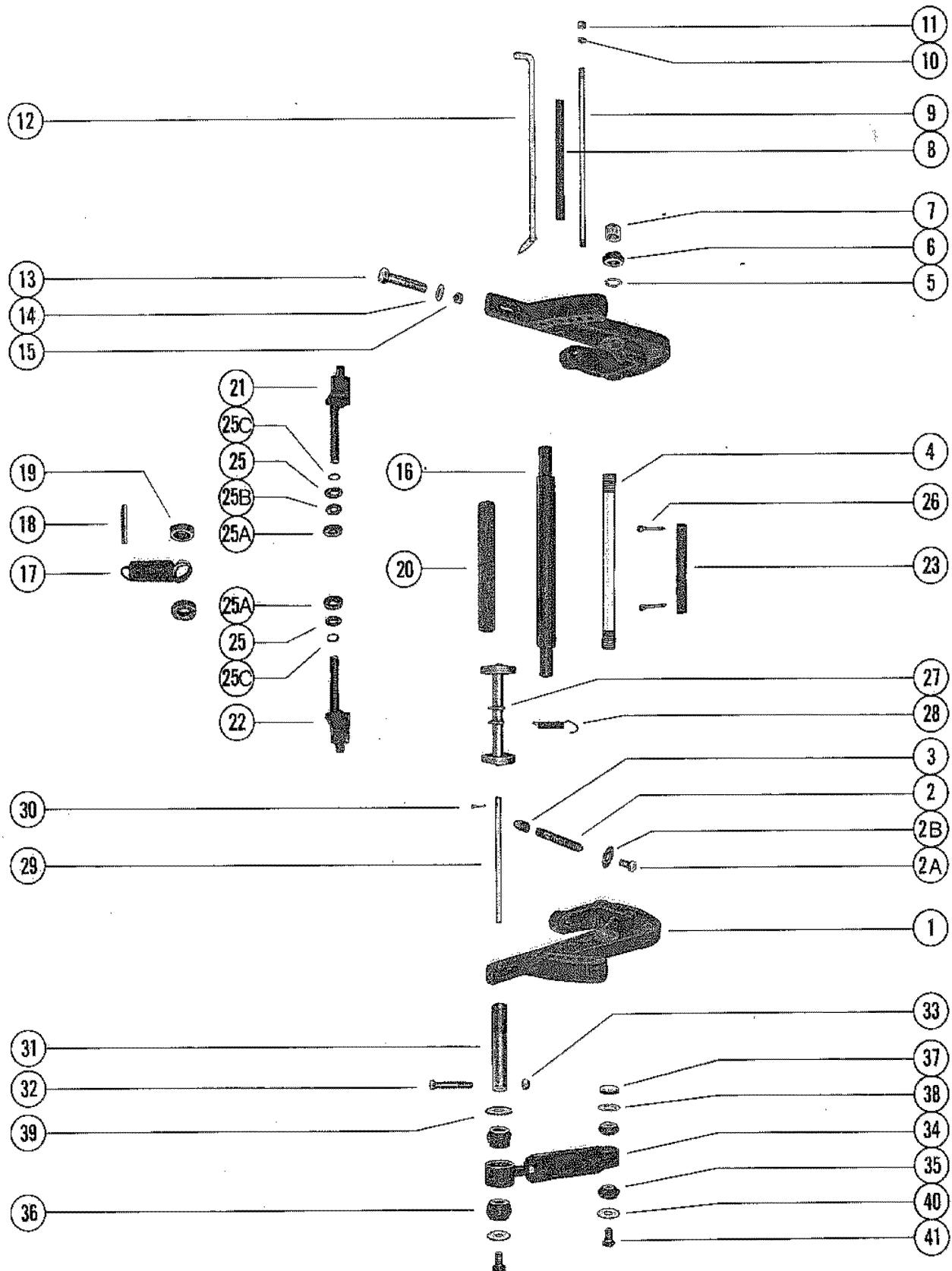
SWIVEL BRACKET ASSEMBLY



SWIVEL BRACKET ASSEMBLY

REF. NO.	PART NO.	SYM.	QTY.	DESCRIPTION
1	1482-6386A4		1	SWIVEL BRACKET ASSEMBLY
2	23-69132		2	BUSHING, REVERSE LOCK PIVOT SHAFT
3	23-69341		2	BUSHING, SWIVEL BRACKET
4	12-69342		1	WASHER, SWIVEL PIN - UPPER
5	26-37448		2	OIL SEAL, SWIVEL BRACKET
6	10-47828		1	SCREW, DRIVE - SWIVEL BRACKET
7	22-74036		4	FITTING, GREASE - SWIVEL BRACKET
10	12-69380		1	WASHER, SWIVEL PIN - LOWER
11	28205		1	STRAP STOP DRIVE SHAFT HOUSING TO SWIVEL BRACKET
12	10-28200		1	SCREW STRAP STOP TO DRIVE SHAFT HOUSING (2 7/8")
13	11-25269		1	NUT, STRAP STOP FASTENING SCREW
14	17-73593A1		1	SWIVEL PIN AND ARM ASSEMBLY
15	73984		1	YOKE, BOTTOM
16A	53-73591		1	RETAINING RING, BOTTOM YOKE ATTACHING
17	28203		1	BUMPER, STEERING ARM
18	10-49554		2	BOLT, STEERING ARM TO UPPER MOUNT (5 7/8")
19	11-34933		2	NUT, STEERING ARM BOLT FASTENING

CLAMP BRACKET AND REVERSE LOCK



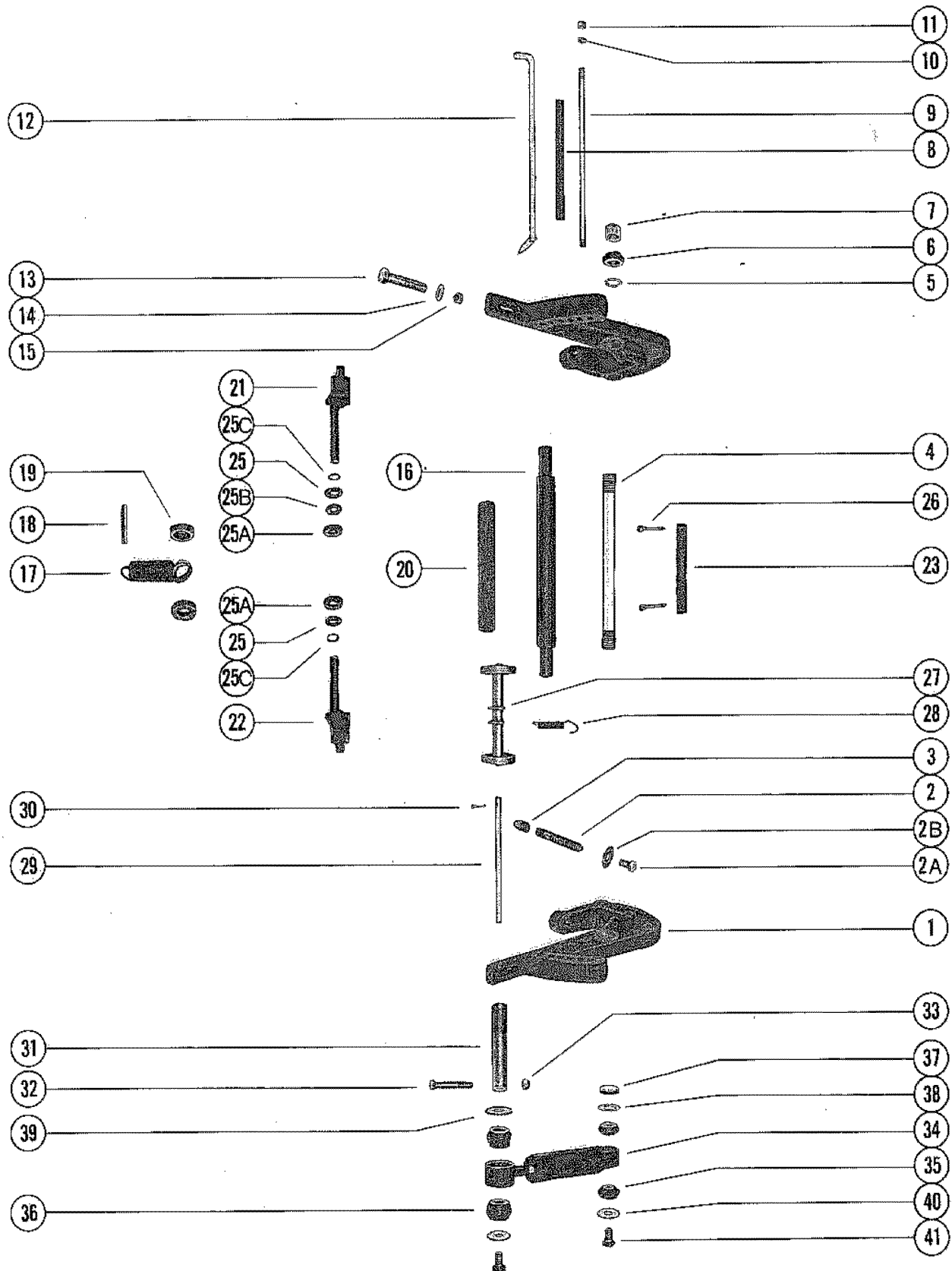
CLAMP BRACKET AND REVERSE LOCK

REF. NO.	PART NO.	SYM.	QTY.	DESCRIPTION
1	1440-6625A3		2	CLAMP BRACKET ASSEMBLY
2	10-78492A1		2	THUMB SCREW ASSEMBLY
2A	10-78495		2	SCREW, WASHER ATTACHING
2B	12-78493		2	WASHER, THUMB SCREW
3	75043		2	CAP, THUMB SCREW
4	74528		1	TUBE TILT - CLAMP BRACKET TO SWIVEL BRACKET
5	12-52864		2	WASHER, CLAMP BRACKET TILT TUBE
6	11-56041		2	NUT, TILT TUBE FASTENING
7	53078		2	CAP, PLASTIC - TILT TUBE
8	23-59624		1	SPACER, CLAMP BRACKET STUD
9	16-59625		1	STUD CLAMP BRACKET (NOT USED WITH FULL POWER TRIM)
10	13-26993		2	LOCKWASHER, CLAMP BRACKET STUD
11	11-28770		2	NUT, CLAMP BRACKET STUD
12	17-49930A1		1	TILT LOCK PIN ASSEMBLY (NOT USED WITH FULL POWER TRIM)
13	10-68298		2	BOLT CLAMP BRACKET TO BOAT TRANSOM (LOWER)
	10-68299		2	BOLT CLAMP BRACKET TO BOAT TRANSOM (UPPER)
14	12-68410		2	WASHER, CLAMP BRACKET BOLT (LOWER)
	12-68300		2	WASHER, CLAMP BRACKET BOLT (UPPER)
15	11-68411		4	NUT, CLAMP BRACKET BOLT
16	55-28416		1	PIN, UPPER SHOCK MOUNTING
17	24-28659		1	SPRING COIL - SWIVEL BRACKET -NOT USED WITH FULL POWER TRIM
18	17-38311		1	PIN COIL SPRING MOUNTING -NOT USED WITH FULL POWER TRIM
19	23-28688		2	SPACER, RUBBER - COIL SPRING POSITIONING NOT USED WITH FULL POWER TRIM
20	63473		1	TUBE, CUSHION - SHOCK PIN (USED WITH FULL POWER TRIM)
21	76386		1	TILT LOCK ASSEMBLY (STARBOARD)
22	76385		1	TILT LOCK ASSEMBLY (PORT)
23	76387		1	TUBE, TILT LOCK
25	13-69150		1	WASHER WAVE - TILT LOCK (STARBOARD SIDE ONLY)
25A	26-22734		2	OIL SEAL, SWIVEL BRACKET (TILT LOCK)
25B	12-76388		1	WASHER, TILT LOCK (STARBOARD SIDE ONLY)
25C	25-62702	■	2	"O" RING, TILT LOCK
26	18-47959		2	COTTER PIN, TILT LOCK
27	70692		1	REVERSE LOCK ASSEMBLY NOT USED WITH FULL POWER TRIM
28	24-78203A1		1	SPRING, REVERSE LOCK TENSION NOT USED WITH FULL POWER TRIM
29	56349		1	SHAFT, REVERSE LOCK PIVOT NOT USED WITH FULL POWER TRIM

■ = CONTENTS OF C-[27-60476A75] GASKET SET

CONTINUED ON NEXT PAGE ➡

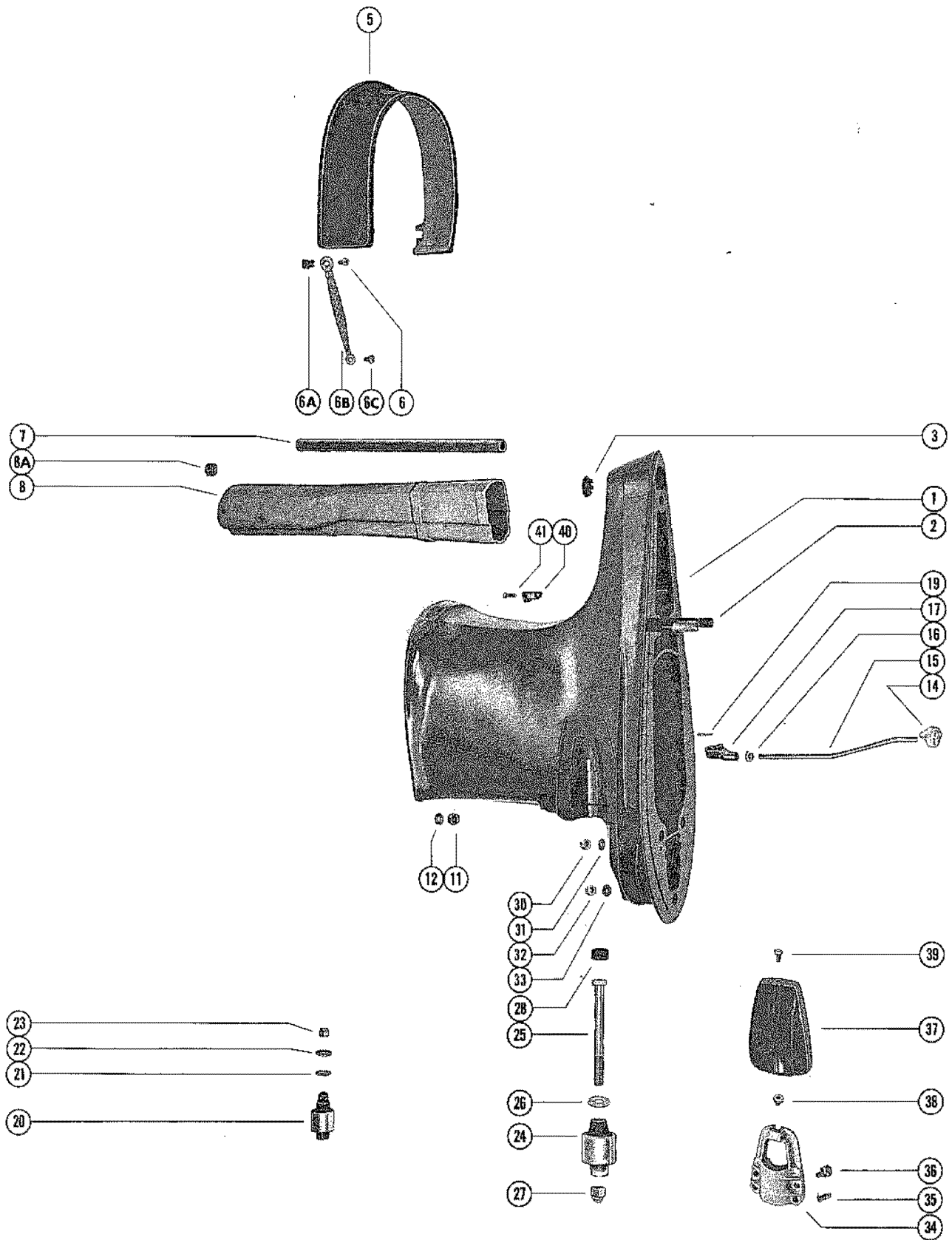
CLAMP BRACKET AND REVERSE LOCK



CLAMP BRACKET AND REVERSE LOCK

REF. NO.	PART NO.	SYM.	QTY.	DESCRIPTION
30	18-45882		1	COTTER PIN, REVERSE LOCK TO SHAFT NOT USED WITH FULL POWER TRIM
31	55-28414		2	PIN, LOWER SHOCK MOUNTING
32	10-21937		2	SCREW, LOWER SHOCK PIN
33	11-46887		2	NUT, LOWER SHOCK PIN SCREW
34	55-58780A2		2	SHOCK ABSORBER NOT USED WITH FULL POWER TRIM
35	23-32171		4	BUSHING, RUBBER - SHOCK ABSORBER (UPPER) -NOT USED WITH FULL POWER TRIM
36	23-28198		4	BUSHING, RUBBER - SHOCK ABSORBER (LOWER) -NOT USED WITH FULL POWER TRIM
37	23-73203		2	SPACER UPPER SHOCK BUSHING TO CLAMP BRACKET
38	12-28196		2	WASHER, UPPER BUSHING RETAINER (INNER)
39	12-59378		2	WASHER, LOWER BUSHING RETAINER (INNER)
40	12-69374		4	WASHER UPPER AND LOWER BUSHING RETAINER (OUTER)
41	10-69375		4	SCREW UPPER AND LOWER SHOCK MOUNTING PIN

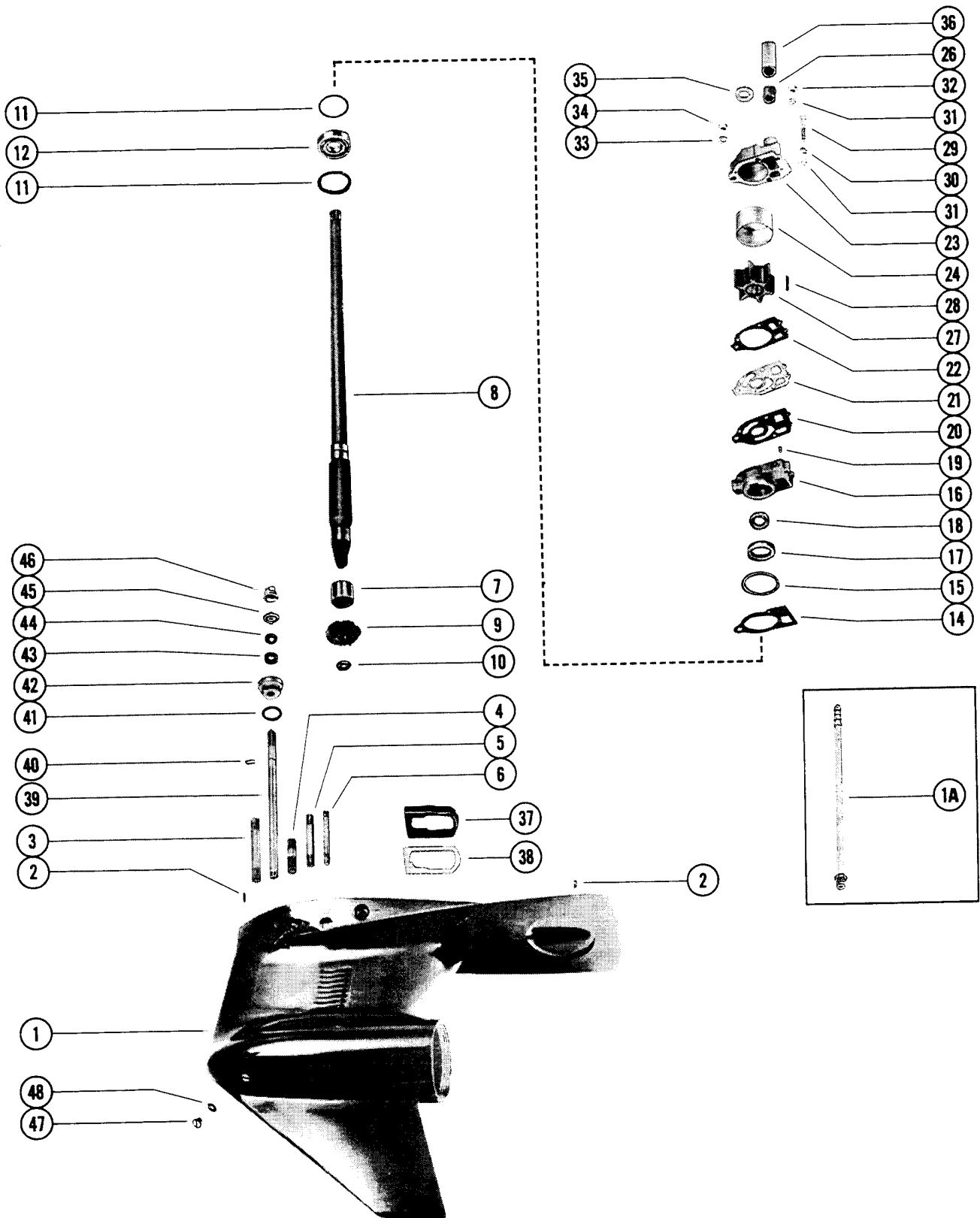
DRIVE SHAFT HOUSING ASSEMBLY



DRIVE SHAFT HOUSING ASSEMBLY

REF. NO.	PART NO.	SYM.	QTY.	DESCRIPTION
1	1573-5239A4		1	DRIVE SHAFT HOUSING ASSEMBLY
2	16-56295		2	STUD DRIVE SHAFT HOUSING TO GEAR HOUSING (2 11/16")
3	19-64649		1	PLUG, PLASTIC - TRIM TAB SCREW HOLE
5	37417		1	COVER, TRIM - DRIVE SHAFT HOUSING
6	10-57807		4	SCREW, TRIM COVER TO BOTTOM COWL
6A	25-57806		4	GROMMET, PLASTIC - TRIM COVER SCREW
6B	46933A2		2	GROUND STRAP ASSEMBLY, TRIM COVER SCREW
6C	10-62568		2	SCREW, GROUND STRAP ATTACHING
7	32-60897		1	TUBE, WATER INLET
8	78184		1	TUBE, EXHAUST
8A	65638		2	BOOT, TUBE MOUNT
11	11-69254		2	NUT, POWERHEAD STUDS (3/8-24)
12	12-25970		2	WASHER, POWERHEAD STUDS
14	52887		1	GUIDE PUSH ROD - REVERSE LOCKING NOT USED WITH FULL POWER
15	47558		1	ROD PUSH - REVERSE LOCK NOT USED WITH FULL POWER
16	11-47661		1	NUT JAM - PUSH ROD NOT USED WITH FULL POWER
17	47559		1	YOKE PUSH ROD NOT USED WITH FULL POWER
19	18-25191		1	COTTER PIN PUSH ROD PIN NOT USED WITH FULL POWER
20	75296		2	MOUNT, RUBBER - UPPER
21	12-47840		2	WASHER, RUBBER - UPPER MOUNT BOLT
22	12-31263		2	WASHER, UPPER MOUNT BOLT
23	11-34933		2	NUT, UPPER MOUNT BOLT
24	75299		2	MOUNT, RUBBER - LOWER
25	10-49318		2	SCREW, LOWER MOUNT (5 1/2")
26	12-49339		2	WASHER, LOWER MOUNT SCREW
27	11-25096		2	NUT, LOWER MOUNT SCREW
28	25067		2	BUMPER, RUBBER - LOWER MOUNTING SCREW
30	11-34933		2	NUT GEAR HOUSING AND DRIVE SHAFT HOUSING STUDS
31	12-45176		2	WASHER GEAR HOUSING TO DRIVE SHAFT HOUSING STUDS
32	11-29489		1	NUT GEAR HOUSING AND DRIVE SHAFT HOUSING STUDS
33	12-45176		1	WASHER GEAR HOUSING TO DRIVE SHAFT HOUSING STUDS
34	35608		2	CLAMP LOWER MOUNT TO DRIVE SHAFT HOUSING
35	24-35522		4	SPRING, TENSION - LOWER MOUNT CLAMP
36	10-29256		4	SCREW LOWER MOUNT CLAMP TO DRIVE SHAFT HOUSING
37	35474		2	COVER, LOWER MOUNT CLAMP
38	11-35521		2	NUT, LOWER MOUNT CLAMP COVER
39	10-29722		2	SCREW, COVER TO LOWER CLAMP MOUNT
40	62497		1	BRACKET, SUPPORT - DRIVE SHAFT
41	10-48409		2	SCREW, SUPPORT BRACKET ATTACHING (5/8")

GEAR HOUSING ASSEMBLY, COMPLETE (PAGE 1)



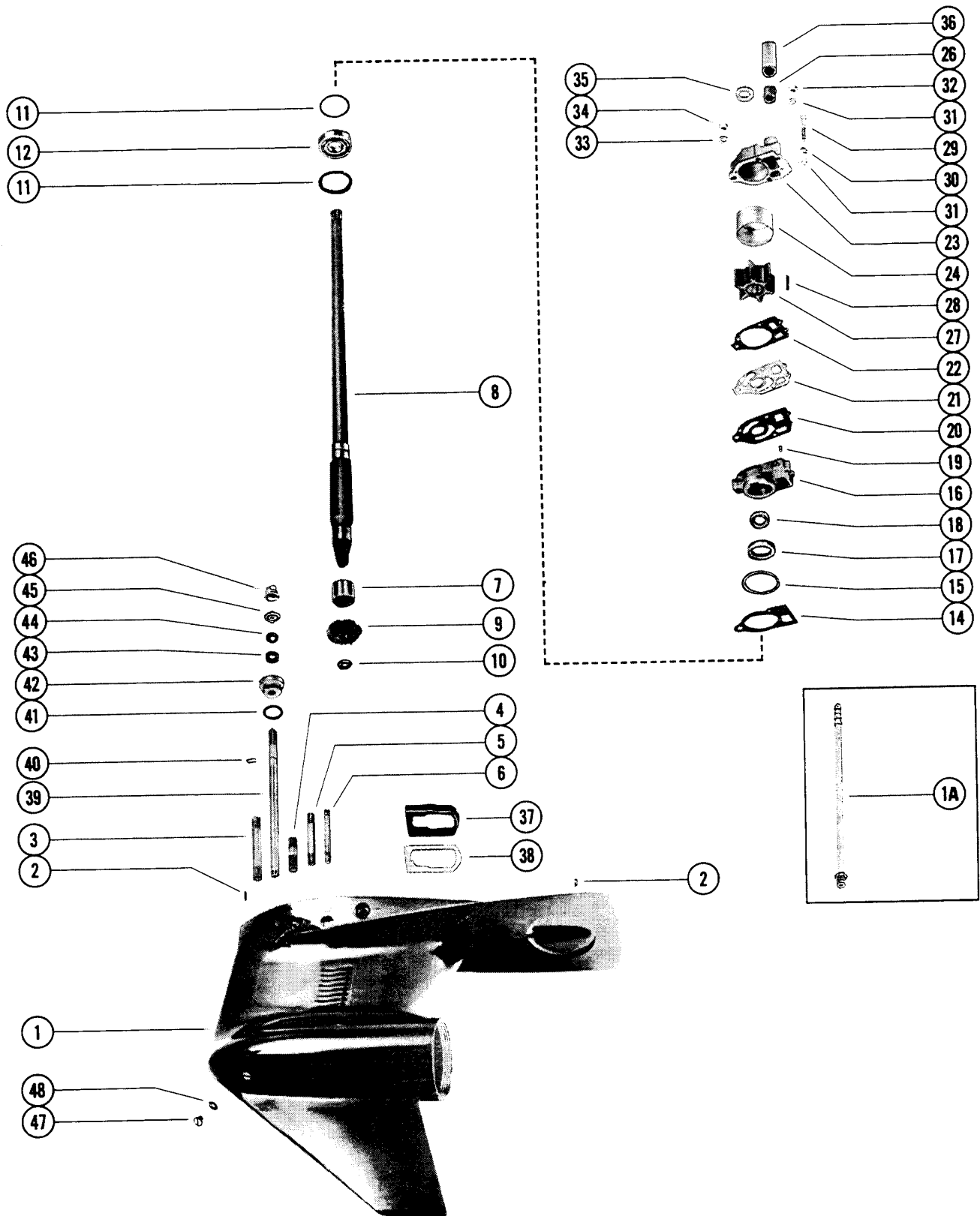
GEAR HOUSING ASSEMBLY, COMPLETE (PAGE 1)

REF. NO.	PART NO.	SYM.	QTY.	DESCRIPTION
-	1655-7333A45		1	GEAR HOUSING ASS'Y, COMP. SEE NOTE BELOW
1	1623-6053A5		1	GEAR HOUSING ASS'Y UNITED STATES 5189787 AND BELOW AUSTRALIA 8052879 AND BELOW CANADA 7125012 AND BELOW
	1655-7333A23		1	GEAR HOUSING ASS'Y UNITED STATES 5189788 AND UP CANADA 7125013 AND UP
1A	22-85822A1		1	CONNECTOR ASSEMBLY, SPEEDOMETER UNITED STATES 5189788 AND UP CANADA 7125013 AND UP
2	17-46912		2	DOWEL PIN, GEAR HOUSING LOCATING
3	16-57921		1	STUD GEAR HOUSING TO DRIVE SHAFT HOUSING (4")
4	16-57920		2	STUD GEAR HOUSING TO DRIVE SHAFT HOUSING (2 1/16")
5	16-56297		1	STUD WATER PUMP BASE AND BODY TO GEAR HOUSING (3 3/8")
6	16-30667		2	STUD WATER PUMP BASE AND BODY TO GEAR HOUSING (3 1/8")
7	31-32898		1	BEARING, ROLLER - DRIVE SHAFT
8	45-69251		1	DRIVE SHAFT
9	43-68548		1	GEAR, PINION - DRIVE SHAFT
10	11-35921		1	NUT, PINION GEAR TO DRIVE SHAFT
11	23-70412		1	SPACER, BALL BEARING TO BASE
	15-57007A1		AR	SHIM, BALL BEARING TO BASE
12	31-69220		1	ROLLER BEARING, DRIVE SHAFT
14	27-33146	■	1	GASKET, WATER PUMP BASE
15	25-33145	■	1	"O" RING, WATER PUMP BASE
16	46-73804A1		1	WATER PUMP BASE ASSEMBLY
17	26-31489		1	OIL SEAL, WATER PUMP BASE
18	26-31507		1	OIL SEAL, WATER PUMP BASE
19	17-35973		2	DOWEL PIN WATER PUMP BASE TO WATER PUMP BODY
20	27-32433	■	1	GASKET, LOWER WATER PUMP BASE TO FACE PLATE
21	32435		1	PLATE, FACE WATER PUMP BASE TO WATER PUMP BODY
22	27-32434	■	1	GASKET, UPPER FACE PLATE TO WATER PUMP BODY
23	46-64141A1		1	WATER PUMP BODY ASSEMBLY
24	48752		1	INSERT, WATER PUMP BODY
26	26-38970		1	SEAL, RUBBER - WATER INLET TUBE
27	47-65960		1	IMPELLER, WATER PUMP
28	28-56654		1	KEY, IMPELLER DRIVE
29	10-30720		1	SCREW WATER PUMP BODY TO GEAR HOUSING (2 1/4")
30	13-26992		1	LOCKWASHER, WATER PUMP BODY SCREW
31	12-29245		3	WASHER WATER PUMP BODY FASTENING SCREW AND STUD
32	11-35888		2	NUT, WATER PUMP FASTENING SCREW
33	12-36001		1	WASHER, WATER PUMP BODY FASTENING STUD

■ = CONTENTS OF C-[27-60476A75] GASKET SET

CONTINUED ON NEXT PAGE ➡

GEAR HOUSING ASSEMBLY, COMPLETE (PAGE 1)



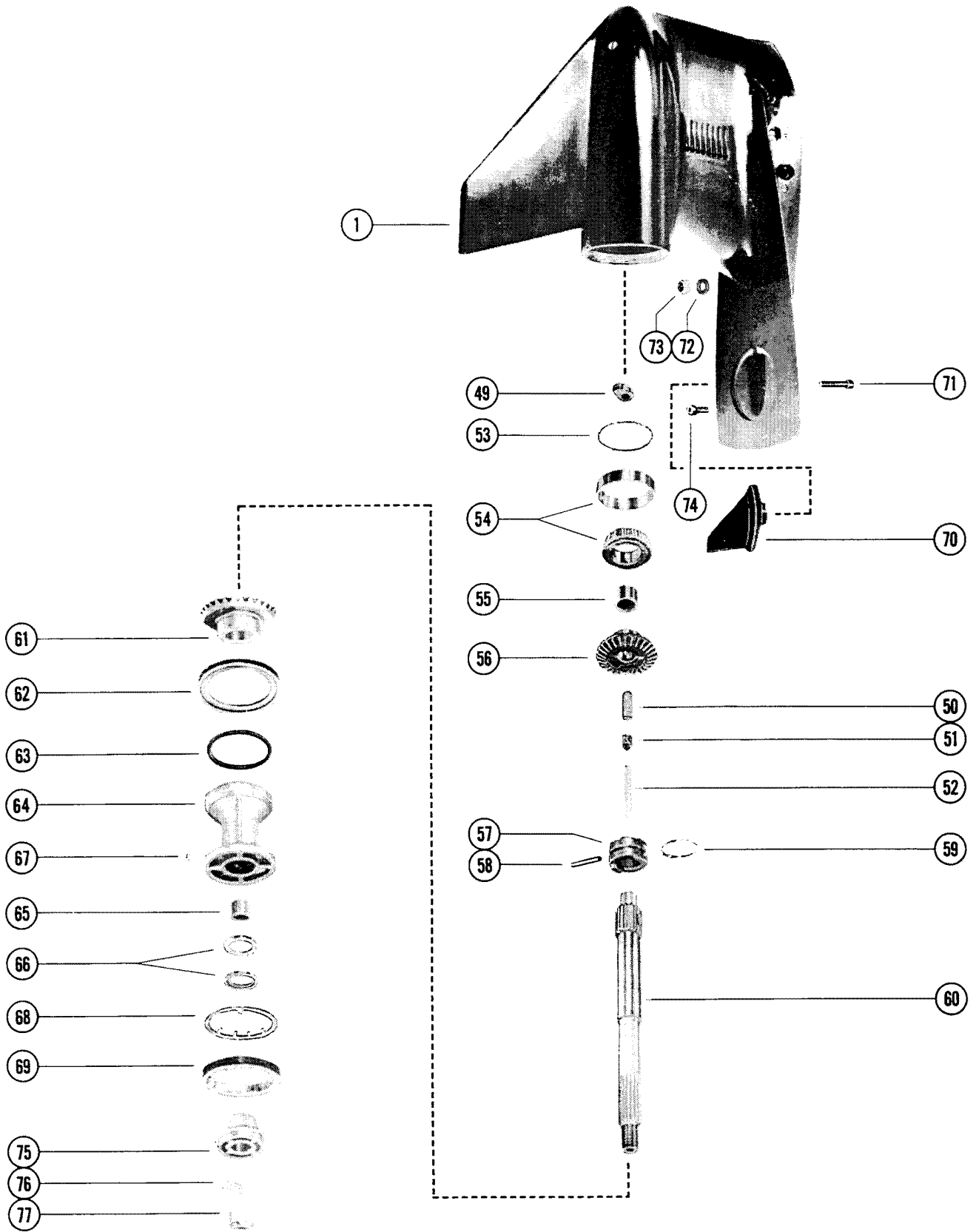
GEAR HOUSING ASSEMBLY, COMPLETE (PAGE 1)

REF. NO.	PART NO.	SYM.	QTY.	DESCRIPTION
34	11-35814		1	NUT, WATER PUMP BODY FASTENING STUD
35	25-30271	■	1	RING RUBBER - CENTRIFUGAL SLINGER (DRIVE SHAFT)
36	23-29804		1	SLEEVE, GUIDE - WATER INLET TUBE
37	37641		1	SEAL, EXHAUST ELBOW
38	38051		1	PLATE, SUPPORT - EXHAUST TUBE SEAL
39	76062A1		1	SHAFT ASSEMBLY, SHIFT - LOWER
40	53-29641		1	"E" RING, RETAINING - SHIFT SHAFT
41	25-25439	■	1	"O" RING, SHIFT SHAFT BUSHING
42	23-77631A2		1	BUSHING ASSEMBLY, SHIFT SHAFT
43	26-76384		1	OIL SEAL, SHIFT SHAFT BUSHING
44	12-77674		1	WASHER, RUBBER - SHIFT SHAFT BUSHING
45	39019		1	SPACER, LOWER - REVERSE LOCKING NOT USED WITH FULL POWER TRIM
46	39021		1	CAM, REVERSE LOCKING NOT USED WITH FULL POWER TRIM
47	10-79953		1	SCREW, GREASE FILLER AND VENT HOLE
	22-67892		1	PLUG, DRAIN (MAGNETIC)
48	12-20260		2	WASHER GREASE FILLER AND VENT HOLE SCREW
-	27-60476A75		0	GASKET SET
-	46-73804A3		0	WATER PUMP REPAIR KIT
-	26-55682A1		0	SEAL REPAIR KIT

THE ENCLOSED GEAR HOUSINGS INCLUDE ALL PARTS FROM REF. #1 THRU #71 AS LISTED UNDER "GEAR HOUSING ASSEMBLY, COMPLETE"

■ = CONTENTS OF C-[27-60476A75] GASKET SET

GEAR HOUSING ASSEMBLY, COMPLETE (PAGE 2)



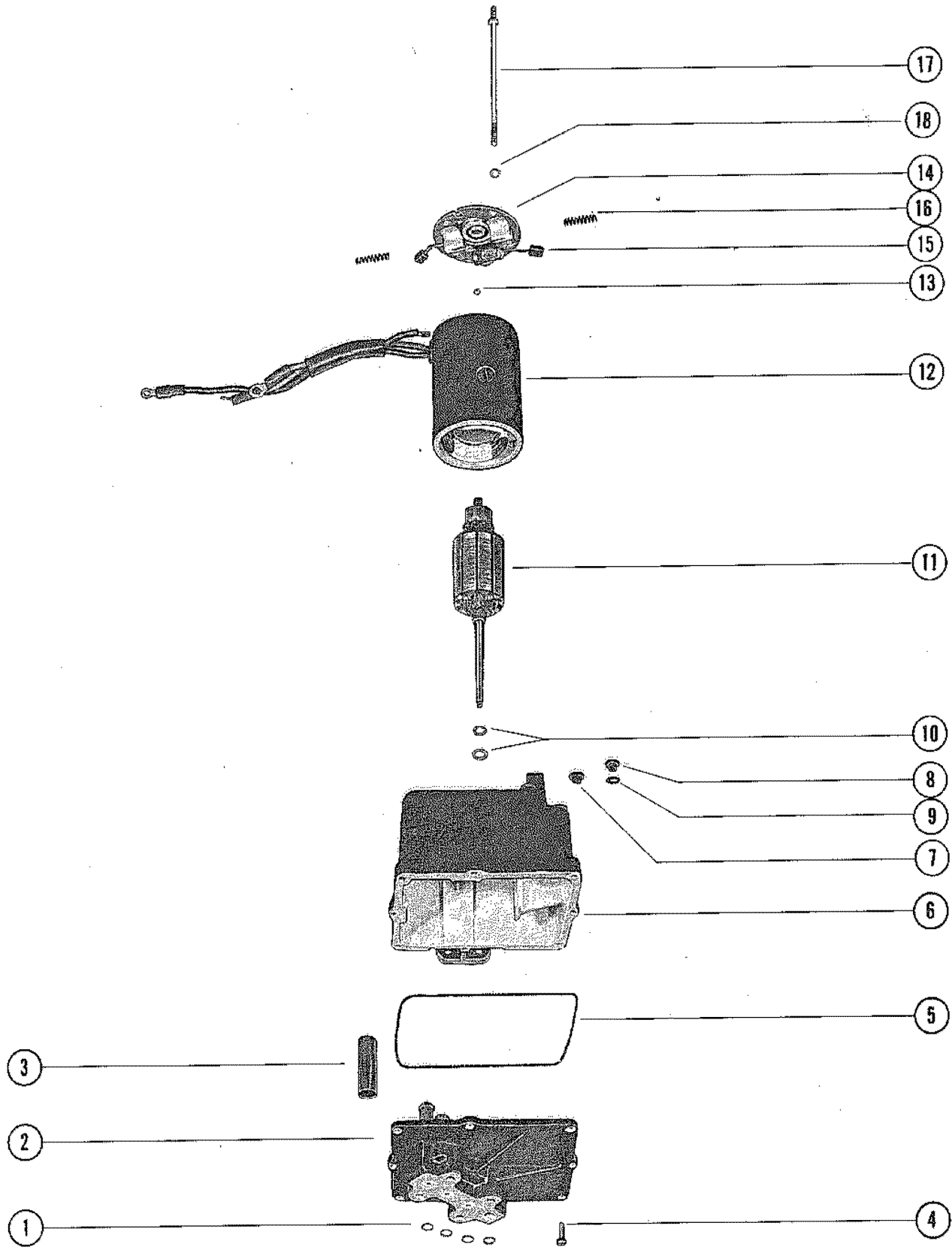
GEAR HOUSING ASSEMBLY, COMPLETE (PAGE 2)

REF. NO.	PART NO.	SYM.	QTY.	DESCRIPTION
-	1655-7333A45		1	GEAR HOUSING ASS'Y, COMP. SEE NOTE BELOW
1	1623-6053A5		1	GEAR HOUSING ASS'Y UNITED STATES 5189787 AND BELOW AUSTRALIA 8052879 AND BELOW CANADA 7125012 AND BELOW
	1655-7333A23		1	GEAR HOUSING ASS'Y UNITED STATES 5189788 AND UP CANADA 7125013 AND UP
49	54346		1	CAM, SHIFT UNITED STATES 5189787 AND BELOW AUSTRALIA 8052879 AND BELOW CANADA 7125012 AND BELOW
	76039		1	CAM, SHIFT UNITED STATES 5189788 AND UP CANADA 7125013 AND UP
50	30625		1	FOLLOWER, CAM
51	30624		1	SLIDE, CROSS PIN
52	24-30622		1	SPRING, COMPRESSION - CAM FOLLOWER
53	15-30923A1		AR	SHIM BEARING OUTER RACE TO HOUSING (.002-3-5-10)
54	31-30894A1		1	TAPERED ROLLER BEARING ASSEMBLY
55	31-30895		1	BEARING, ROLLER - FORWARD GEAR
56	43-68447		1	FORWARD GEAR
57	52-34239		1	RATCHET, SLIDING GEAR
58	17-30632		1	PIN, CROSS - RATCHET TO PROPELLER SHAFT
59	24-30893		1	SPRING, RETAINING - CROSS PIN
60	44-52542		1	SHAFT, PROPELLER
61	43-76250		1	REVERSE GEAR
62	12-76805		1	WASHER THRUST - BEARING CARRIER TO GEAR HOUSING
63	25-29976	■	1	"O" RING, BEARING CARRIER
64	77520A1		1	BEARING CARRIER ASSEMBLY
65	31-30956		1	BEARING, ROLLER - BEARING CARRIER
66	26-76868		2	OIL SEAL, BEARING CARRIER
67	28-30281		1	KEY, LOCATING - BEARING CARRIER
68	14-52700		1	TAB WASHER, GEAR HOUSING COVER
69	52699		1	COVER, GEAR HOUSING
70	31640A1		1	TRIM TAB, GEAR HOUSING
71	10-66024		1	SCREW, TRIM TAB TO GEAR HOUSING (1 3/4")
72	12-45176		2	WASHER GEAR HOUSING TO DRIVE SHAFT HOUSING STUDS
73	11-34933		2	NUT GEAR HOUSING TO DRIVE SHAFT HOUSING STUDS
74	10-65210		1	SCREW GEAR HOUSING TO DRIVE SHAFT HOUSING (1")
75	75282		1	THRUST HUB AND WASHER ASSEMBLY
76	14-31210		1	TAB WASHER, PROPELLER NUT
77	11-52707		1	NUT, PROPELLER
-	27-60476A75		0	GASKET SET

THE ENCLOSED GEAR HOUSING INCLUDE ALL PARTS FROM REF. #1 THRU #71 AS LISTED UNDER "GEAR HOUSING ASSEMBLY, COMPLETE"

■ = CONTENTS OF C-[27-60476A75] GASKET SET

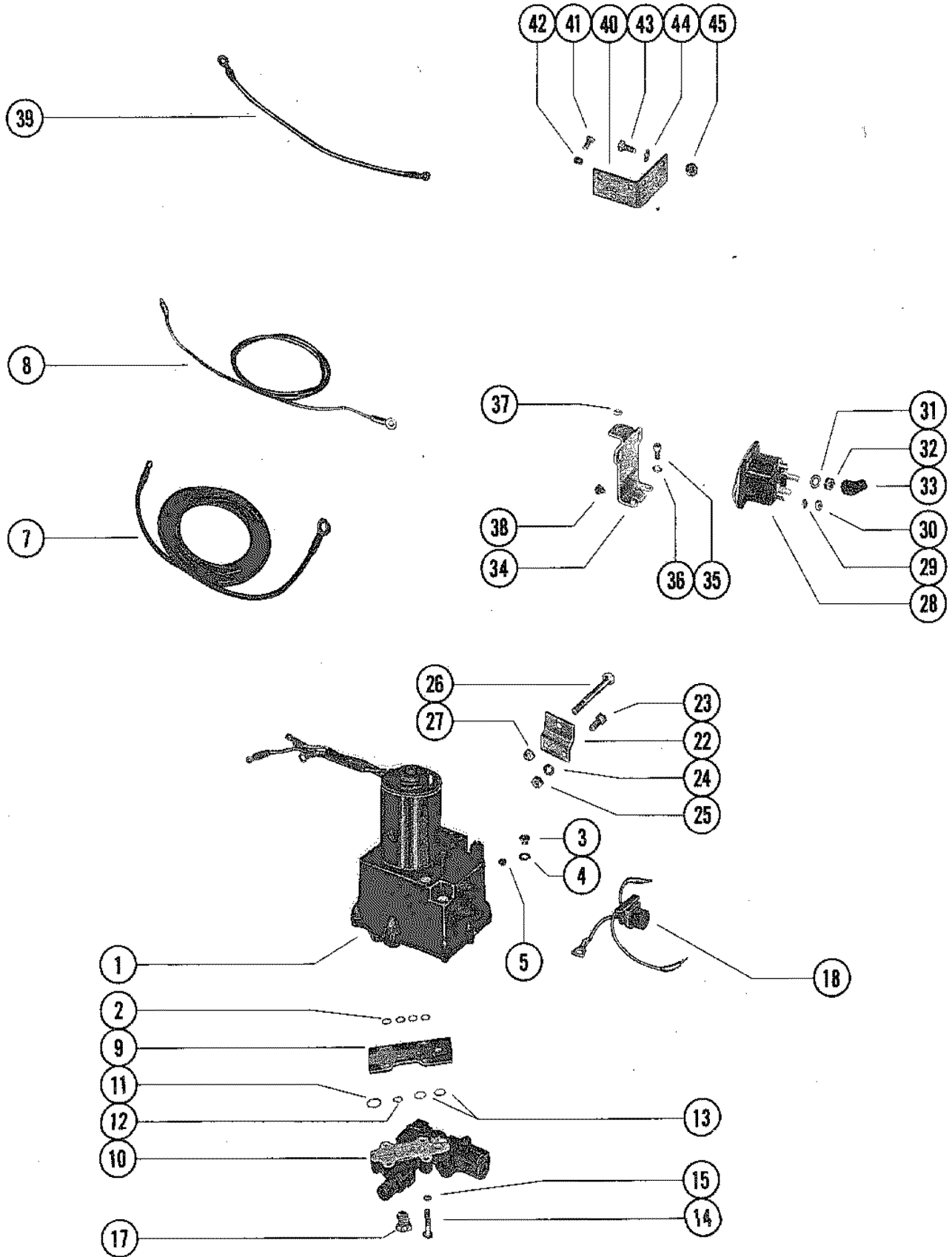
HYDRAULIC PUMP ASSEMBLY



HYDRAULIC PUMP ASSEMBLY

REF. NO.	PART NO.	SYM.	QTY.	DESCRIPTION
-	76395A5		1	HYDRAULIC PUMP ASSEMBLY, COMPLETE
1	25-21720		4	"O" RING, HYDRAULIC PUMP
2	392-2936		1	VALVE BODY AND GEAR ASSEMBLY
3	392-2618		2	CAN, VALVE BODY
4	10-20411		8	SCREW, VALVE BODY TO RESERVOIR
5	392-2937		1	SEAL, RESERVOIR TO VALVE BODY AND GEAR
6	392-2939		1	RESERVOIR ASSEMBLY
7	10-38257		1	SCREW, VENT - HYDRAULIC PUMP
8	10-28634		1	SCREW, FILLER - HYDRAULIC PUMP
9	12-20260		1	WASHER, SEALING - FILLER SCREW
10	392-2623		AR	WASHER, THRUST - ARMATURE
11	392-2943		1	ARMATURE, FIELD AND FRAME
12	392-2942		1	FIELD AND FRAME ASSEMBLY
13	392-2944		1	BALL, COMMUTATOR END PLATE
14	392-2940		1	PLATE ASSEMBLY, COMMUTATOR END
15	392-2941		1	BRUSH SET, COMMUTATOR END PLATE
16	392-2529		1	SPRING SET, BRUSH TENSION
17	392-2938		1	BOLT SET THRU - PLATE AND FRAME TO RESERVOIR
18	13-26996		2	LOCKWASHER, THRU BOLT

HYDRAULIC PUMP AND CONTROL VALVE

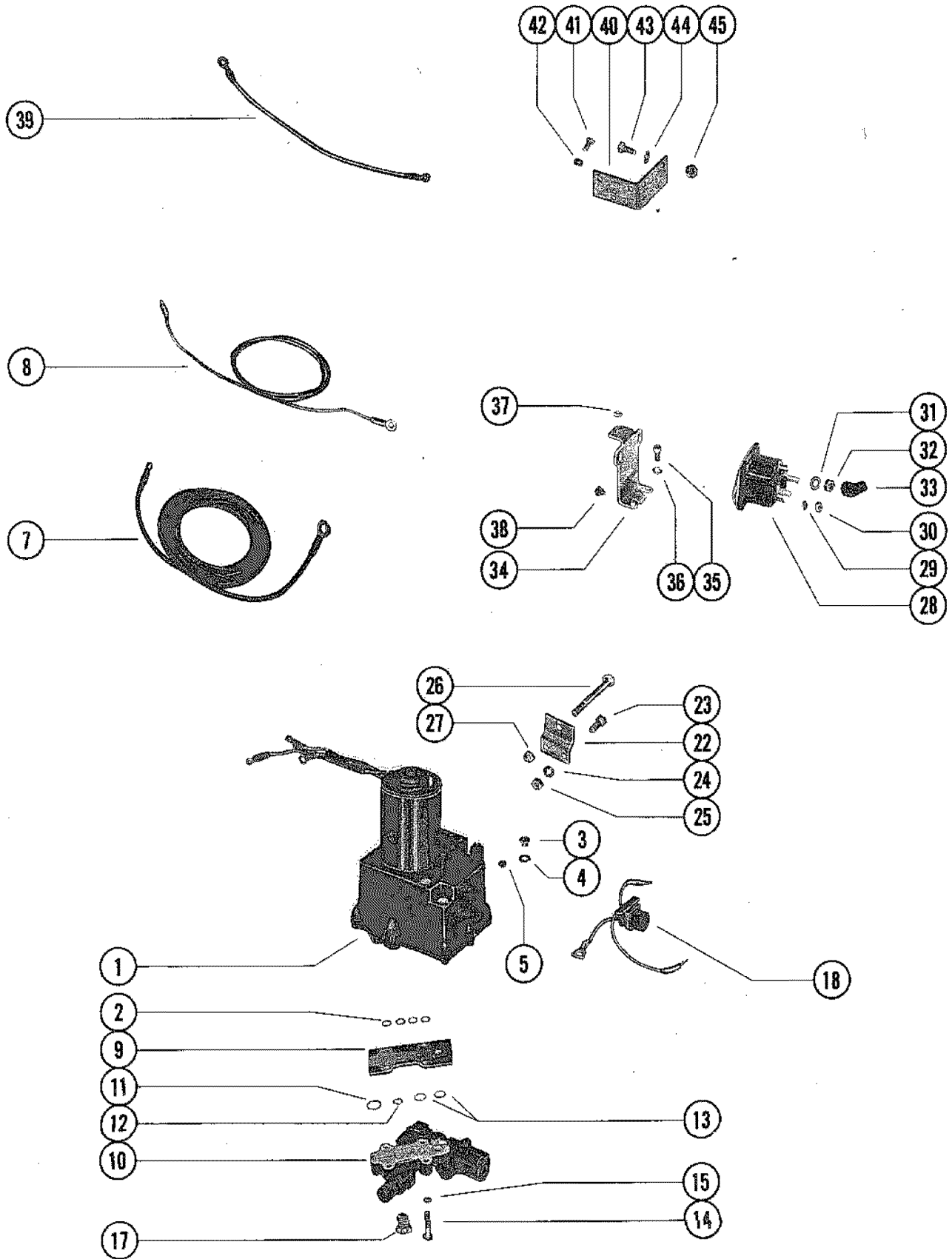


HYDRAULIC PUMP AND CONTROL VALVE

REF. NO.	PART NO.	SYM.	QTY.	DESCRIPTION
1	76395A5		1	HYDRAULIC PUMP ASSEMBLY (SEE NOTE BELOW)
2	25-21720		4	"O" RING, HYDRAULIC PUMP TO MANIFOLD PLATE
3	10-28634		1	SCREW, FILLER - HYDRAULIC PUMP
4	12-20260		1	WASHER SEALING - HYDRAULIC PUMP FILLER SCREW
5	10-38257		1	SCREW, VENT - HYDRAULIC PUMP
7	32979		1	BATTERY LEAD (POSITIVE)
8	32988		1	BATTERY LEAD (NEGATIVE)
9	45336		1	PLATE, MANIFOLD
10	45197A2		1	CONTROL VALVE ASSEMBLY
	25-21720		4	"O" RING PUMP TO MANIFOLD PLATE (SEE REFERENCE #2)
11	25-45254		1	"O" RING CONTROL VALVE TO MANIFOLD PLATE (3/4" O.D.)
12	25-21720		1	"O" RING CONTROL VALVE TO MANIFOLD PLATE (1/2" O.D.)
13	25-45253		2	"O" RING CONTROL VALVE TO MANIFOLD PLATE (5/8" O.D.)
14	10-56500		4	SCREW VALVE AND MANIFOLD PLATE TO PUMP (1 1/4")
15	13-26992		4	LOCKWASHER CONTROL VALVE AND MANIFOLD PLATE SCREW
17	22-46008		2	PLUG, CONTROL VALVE (1/2-20")
18	84-74023		1	CONNECTOR AND HARNESS
22	45377		2	BRACKET MOUNTING - HYDRAULIC PUMP TO BOAT
23	10-24234		4	SCREW MOUNTING BRACKET TO HYDRAULIC PUMP (1")
24	13-39107		4	LOCKWASHER, MOUNTING BRACKET SCREW
25	11-21908		4	NUT, MOUNTING BRACKET SCREW
26	10-68298		2	BOLT, HYDRAULIC PUMP TO BOAT (3 1/4")
27	11-68411		2	NUT, HYDRAULIC PUMP BOLT
28	89-68258		2	STARTER SOLENOID
29	13-26996		4	LOCKWASHER STARTER SOLENOID TERMINAL (#10)
30	11-68219		4	NUT, STARTER SOLENOID TERMINAL (#10)
31	13-26993		4	LOCKWASHER STARTER SOLENOID TERMINAL (5/16")
32	11-68292		4	NUT, STARTER SOLENOID TERMINAL (5/16")
33	46265		4	BOOT, RUBBER - STARTER SOLENOID TERMINAL
34	74407		1	BRACKET, MOUNTING - STARTER SOLENOID
35	10-21140		2	SCREW MOUNTING BRACKET TO HYDRAULIC PUMP (1/2")
36	13-26992		2	LOCKWASHER, MOUNTING BRACKET SCREW
37	11-24656		1	NUT MOUNTING BRACKET TO HYDRAULIC PUMP THRU BOLT
38	26901		1	BUMPER, RUBBER - SOLENOID BRACKET
39	55991		1	BATTERY LEAD (POSITIVE)
	55992		1	BATTERY LEAD (NEGATIVE)
40	74406		1	BRACKET, MOUNTING - STARTER SOLENOID

CONTINUED ON NEXT PAGE ➡

HYDRAULIC PUMP AND CONTROL VALVE

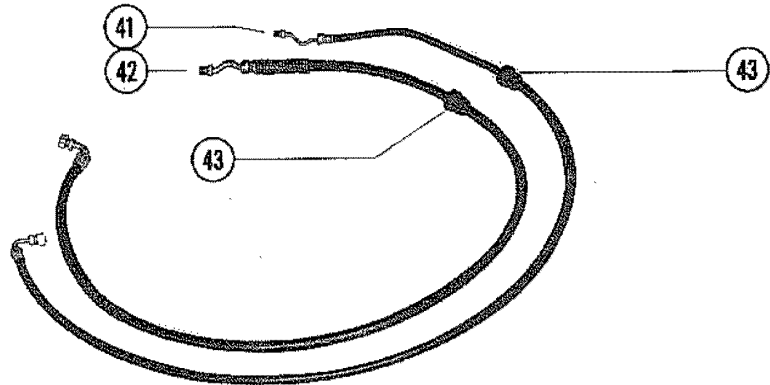
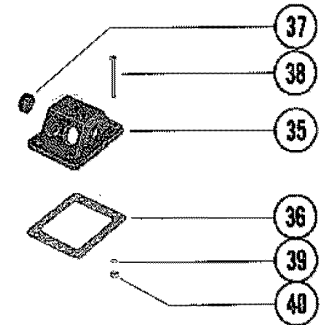
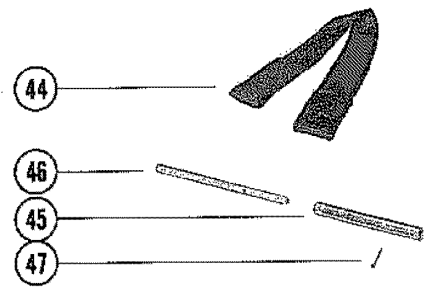
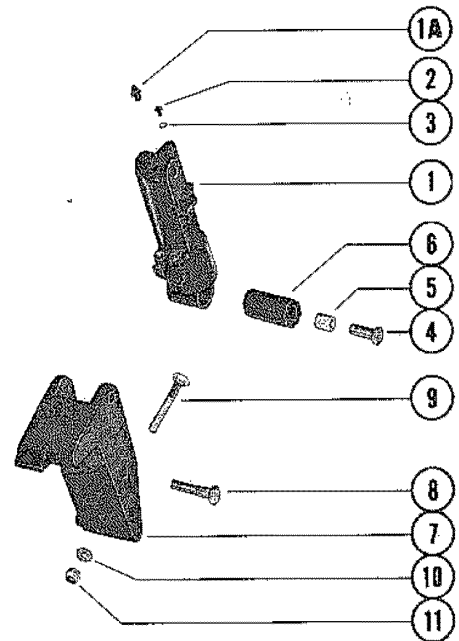
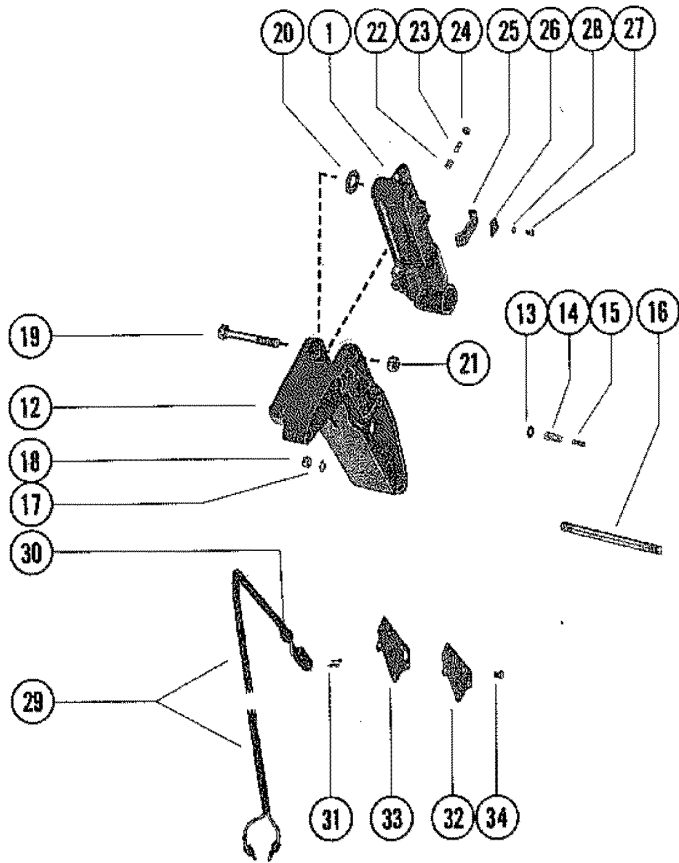


HYDRAULIC PUMP AND CONTROL VALVE

REF. NO.	PART NO.	SYM.	QTY.	DESCRIPTION
41	10-69028		2	SCREW MOUNTING BRACKET TO HYDRAULIC PUMP (3/4")
42	13-26992		2	LOCKWASHER, MOUNTING BRACKET SCREW
43	10-34290		2	SCREW STARTER SOLENOID TO MOUNTING BRACKET (5/8")
44	13-26992		2	LOCKWASHER, STARTER SOLENOID SCREW
45	11-21825		4	NUT, STARTER SOLENOID SCREW

SEE "HYDRAULIC PUMP ASSEMBLY" FOR BREAKDOWN

TRIM CYLINDERS AND HYDRAULIC HOSES

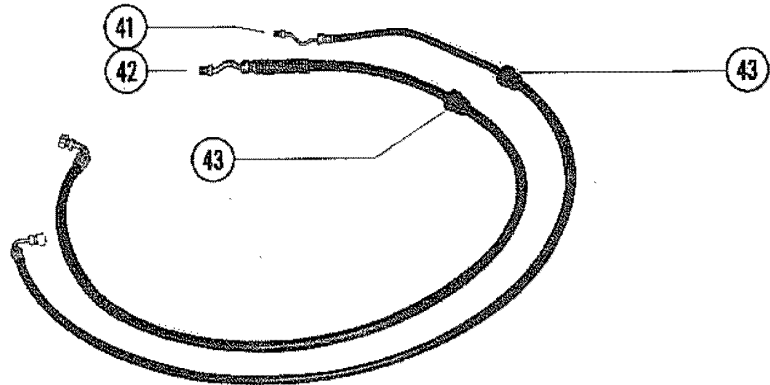
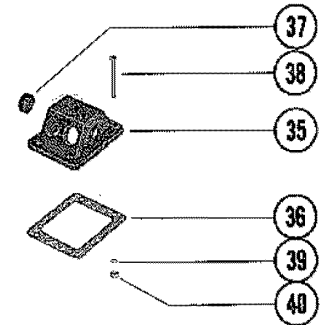
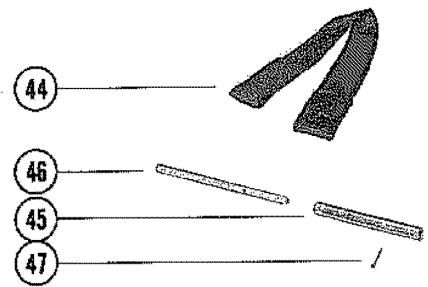
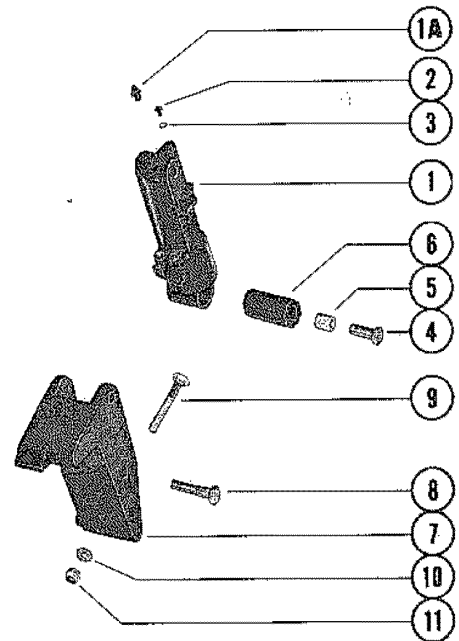
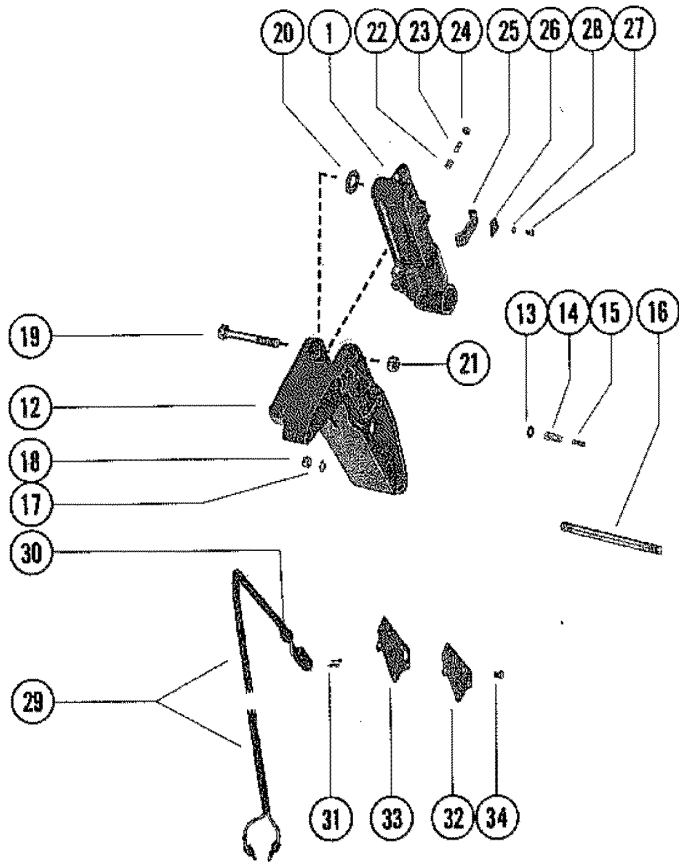


TRIM CYLINDERS AND HYDRAULIC HOSES

REF. NO.	PART NO.	SYM.	QTY.	DESCRIPTION
1	76509A3		2	TRIM CYLINDER ASSEMBLY (SEE D7 FOR REPAIR KIT)
1A	22-74036		2	GREASE FITTING
2	10-45265		4	SCREW, BLEED - SHOCK CYLINDER
3	25-45016		4	"O" RING, SHOCK CYLINDER BLEED SCREW
4	10-45264		2	SCREW SHOCK CYLINDER TO LOWER SHOCK PIN (1 9/16")
5	23-45280		2	SPACER, SHOCK CYLINDER - LOWER
6	23-45281		2	BUSHING, RUBBER - SHOCK CYLINDER
7	66084		1	BRACKET, MOUNTING - SHOCK CYLINDER (PORT)
8	10-45263		2	SCREW MOUNTING BRACKET TO UPPER SHOCK PIN (2 1/4")
9	10-68298		4	BOLT MOUNTING BRACKET TO BOAT TRANSOM (3 1/4")
10	12-68410		4	WASHER, MOUNTING BRACKET BOLT
11	11-68411		4	NUT, MOUNTING BRACKET BOLT
12	45196A2		1	BRACKET ASSEMBLY MOUNTING - SHOCK CYLINDER (STARBOARD)
13	26-70608		1	OIL SEAL, STARBOARD MOUNTING BRACKET
14	45286		1	PLUNGER, LIMIT SWITCH ACTUATING
15	24-45272		1	SPRING, TENSION - LIMIT SWITCH PLUNGER
16	16-45282		1	STUD, MOUNTING BRACKET AND CLAMP BRACKET
17	13-26993		2	LOCKWASHER MOUNTING BRACKET TO CLAMP BRACKET STUD
18	11-28770		2	NUT MOUNTING BRACKET TO CLAMP BRACKET STUD
19	10-45328		2	SCREW SHOCK CYLINDER TO MOUNTING BRACKET (3 9/16")
20	12-37807		1	WASHER SHOCK CYLINDER SCREW (STARBOARD ONLY)
21	11-20696		2	NUT, SHOCK CYLINDER SCREW
22	24-24390		1	SPRING, TENSION - ADJUSTING STUD
23	16-21085		1	STUD, ADJUSTING - CUT-OUT LIMIT SWITCH (15/16")
24	11-45812		1	NUT, JAM - LIMIT SWITCH ADJUSTING STUD
25	45508		1	CAM, LIMIT SWITCH ADJUSTING STUD
26	45509		1	PLATE, RETAINING - LIMIT SWITCH CAM
27	10-68513		1	SCREW RETAINING PLATE AND CAM TO SHOCK CYLINDER (3/8")
28	13-26996		1	LOCKWASHER RETAINING PLATE AND CAM SCREW
29	45326A2		1	SWITCH ASSEMBLY, CUT-OUT LIMIT
30	23-45354		1	BUSHING, RUBBER - CUT-OUT LIMIT SWITCH
31	10-47255		2	SCREW CUT-OUT LIMIT SWITCH TO MOUNTING BRACKET (9/16")
32	45287		1	COVER, LIMIT SWITCH
33	27-45275		1	GASKET, LIMIT SWITCH COVER
34	10-24942		5	SCREW LIMIT SWITCH COVER TO MOUNTING BRACKET (7/16")
35	45289		1	COVER, INLET - TRANSOM
36	27-45274		1	GASKET, INLET COVER
37	25-45507		1	GROMMET, RUBBER - INLET COVER
38	10-32866		4	SCREW, INLET COVER TO BOAT (2")

CONTINUED ON NEXT PAGE ➡

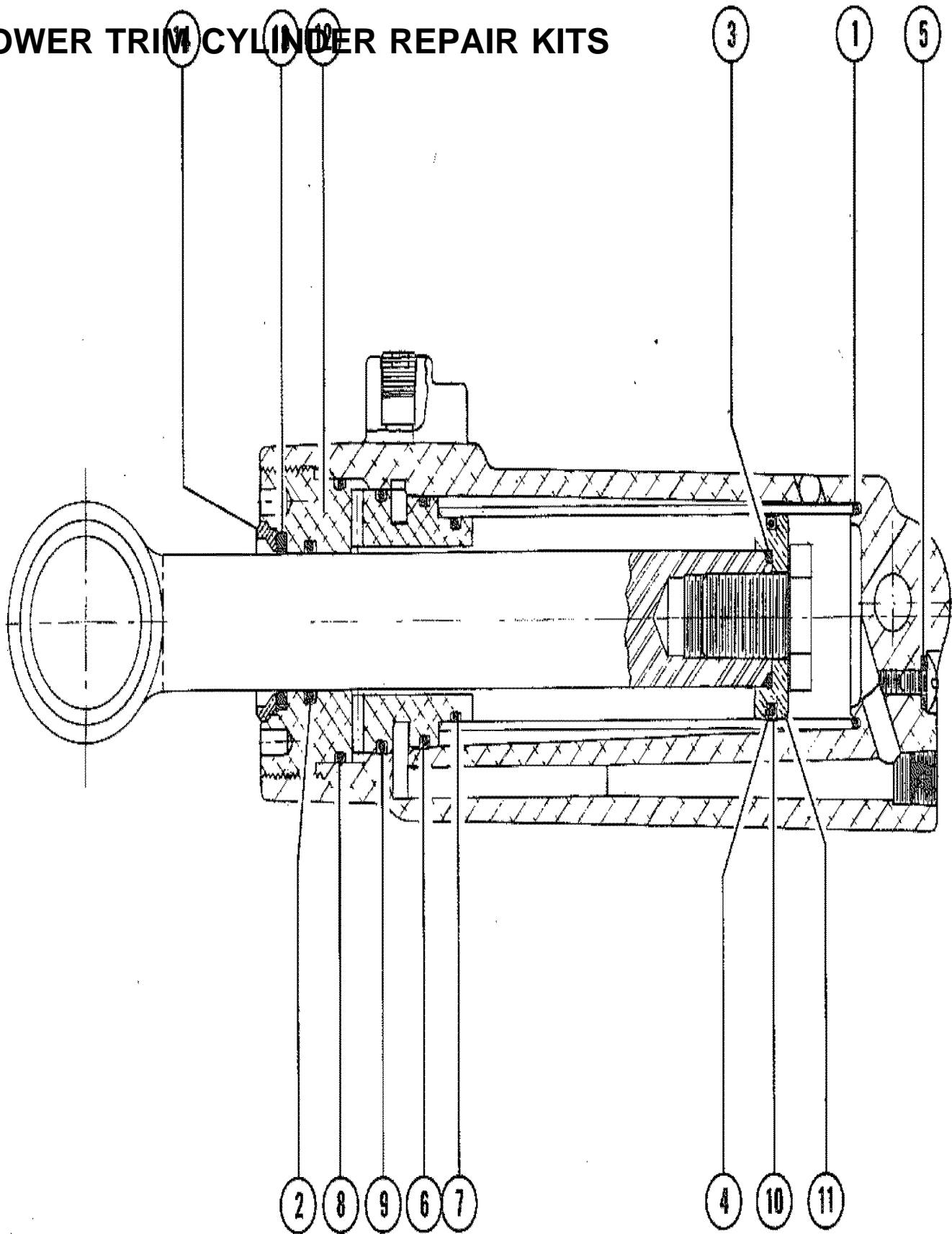
TRIM CYLINDERS AND HYDRAULIC HOSES



TRIM CYLINDERS AND HYDRAULIC HOSES

REF. NO.	PART NO.	SYM.	QTY.	DESCRIPTION
39	12-20878		4	WASHER, INLET COVER SCREW
40	11-29488		4	NUT, INLET COVER SCREW
41	32-45327		2	HOSE TRIM - CYLINDER TO CONTROL VALVE (5') - 13/32" O.D.
42	32-45959		2	HOSE LIFT - CYLINDER TO CONTROL VALVE (5') - 17/32" O.D.
43	23-35977		4	GROMMET, RUBBER - LIFT HOSE AND TRIM HOSE
44	73519A1		1	TILT STOP
45	69259		1	TUBE, MOUNTING - TILT STOP
46	77669		1	PIN, MOUNTING TUBE
47	18-36391		1	COTTER PIN, MOUNTING TUBE PIN

POWER TRIM CYLINDER REPAIR KITS



POWER TRIM CYLINDER REPAIR KITS

REF. NO.	PART NO.	SYM.	QTY.	DESCRIPTION
-	64507A1		1	REPAIR KIT
1	N.S.S.	●	1	"O" RING (1 1/2" X 1 5/8" X 1/16")
2	N.S.S.	●	1	"O" RING (3/4" X 15/16" X 1/8")
3	N.S.S.	●	1	"O" RING (5/8" X 3/4" X 1/16")
4	N.S.S.	●	1	"O" RING (1 1/4" X 1 7/16" X 1/16")
5	N.S.S.	●	2	"O" RING (7/32" X 11/32" X 1/16")
6	N.S.S.	●	1	"O" RING (1 5/8" X 1 13/16" X 1/8")
7	N.S.S.	●	1	"O" RING (1 5/16" X 1 1/2" X 1/8")
8	N.S.S.	●	1	"O" RING (1 7/8" X 2" X 1/8")
9	N.S.S.	●	1	"O" RING (1 3/4" X 1 15/16" X 1/8")
10	N.S.S.	●	1	SEAL, SLIPPER - PISTON
11	N.S.S.	●	1	PISTON, ROD - HEAVY DUTY
12	64505A1		1	RETAINER ASSEMBLY, PISTON
13	N.S.S.	●	1	ROD, SCRAPER
14	N.S.S.	●	1	RETAINER, SCRAPER

DO NOT SUBSTITUTE "O" RINGS AS THESE ARE OF SPECIAL MANUFACTURED MATERIAL.

● = NOT SOLD SEPARATELY.

PROPELLERS (RIGHT HAND ROTATION)

REF. NO.	PART NO.	SYM.	QTY.	DESCRIPTION
-	48-77338A4		0	PROPELLER ASSEMBLY (ALUMINUM)(PITCH 11") 3 BLADES
-	48-77340A4		0	PROPELLER ASSEMBLY (ALUMINUM)(PITCH 13") 3 BLADES
-	48-77342A4		0	PROPELLER ASSEMBLY (ALUMINUM)(PITCH 15") 3 BLADES
-	48-77344A4		0	PROPELLER ASSEMBLY (ALUMINUM)(PITCH 17") 3 BLADES
-	48-77346A4		0	PROPELLER ASSEMBLY (ALUMINUM)(PITCH 19") 3 BLADES
-	48-77348A4		0	PROPELLER ASSEMBLY (ALUMINUM)(PITCH 21") 3 BLADES
-	48-77350A4		0	PROPELLER ASSEMBLY (ALUMINUM)(PITCH 23") 3 BLADES

PARTS INDEX

Part Number	Description	Pg.	Ref. No.	Part Number	Description	Pg.	Ref. No.
20121	CONNECTOR, SPARK PLUG			37639	MOUNT, RUBBER - TOP		
	LEAD	9	26		COWL FRAME	3	18
20140	BELT, TIMING	17	57	37640	MOUNT, RUBBER FRONT		
22833	ADAPTOR, CHECK UNIT				SUPPORT BRACKET	3	34
	(FUEL LINE)	25	33	37641	SEAL, EXHAUST ELBOW ..	49	37
23004	RETAINER, CHECK VALVE .	25	9	37896	GUIDE BLOCK, LINK ROD ..	35	32
23069	STEM, CHECK UNIT			37918	SEAL, EXHASUT		
	ADAPTOR	25	34		EXTENSION PLATE	37	3
25067	BUMPER, RUBBER - LOWER			37940	PAD, SOUND - DRIP TRAY .	35	3
	MOUNTING SCREW	45	28	38032	STRIP	37	4
26113	RACE, OUTER (PAIR)	31	10	38051	PLATE, SUPPORT -		
26901	BUMPER, RUBBER -				EXHAUST TUBE SEAL ...	49	38
	SOLENOID BRACKET ...	55	38	38279	LATCH	35	34
26901	BUMPER, RUBBER -			38674	BAG, STARTER ROPE	5	8
	STARTER SOLENOID ...	19	31	39019	SPACER, LOWER -		
27947	SWIVEL, LINKAGE -				REVERSE LOCKING	49	45
	ECONOMIZER COLLAR ..	15	9	39021	CAM, REVERSE LOCKING .	49	46
27948	SWIVEL	15	13	39519	CAP, BARREL RETAINER -		
28203	BUMPER, STEERING ARM ..	39	17		ANCHOR BRACKET	35	25
28205	STRAP STOP	39	11	39616	BOOT, CONTROL CABLES -		
29787	HUB, FLYWHEEL PULLEY ..	7	10		BOTTOM COWL	35	6
29788	FLANGE, FLYWHEEL			39618	LEVER, NYLON - SHIFT		
	PULLEY	7	8		CABLE LOCKING	35	26
29906A1	DRIVEN PULLEY ASSEMBLY	17	52	39667	COVER, NYLON - SHIFT		
29907	FLANGE, DRIVEN PULLEY .	17	54		CABLE	35	28
30021	BLANKET, SOUND			45196A2	BRACKET ASSEMBLY	59	12
	ABSORBING	5	14	45197A2	CONTROL VALVE		
30188	CUP WASHER, ADAPTOR ..	25	37		ASSEMBLY	55	10
30306	PULLEY, FLYWHEEL	7	9	45286	PLUNGER, LIMIT SWITCH		
30413	HOOK, COWL LATCH				ACTUATING	59	14
	FASTENING	5	13	45287	COVER, LIMIT SWITCH	59	32
30624	SLIDE, CROSS PIN	51	51	45289	COVER, INLET - TRANSOM	59	35
30625	FOLLOWER, CAM	51	50	45326A2	SWITCH ASSEMBLY, CUT-		
31014	MOUNT, RUBBER - REAR				OUT LIMIT	59	29
	SUPPORT BRACKET	3	21	45336	PLATE, MANIFOLD	55	9
31089	STRIP, SOUND ABSORBING	5	7	45377	BRACKET	55	22
31640A1	TRIM TAB, GEAR HOUSING	51	70	45391	SPACER, RUBBER - HIGH		
32197	STOP, SPARK ADVANCE -				TENSION LEADS	11	34
	DISTRIBUTOR HOUSING .	15	2	45392	BRACKET, FRONT - WIRE		
32435	PLATE, FACE	47	21		RETAINER	11	31
32979	BATTERY LEAD (POSITIVE)	55	7	45409	WIRE RETAINER, HIGH		
32988	BATTERY LEAD (NEGATIVE)	55	8		TENSION LEADS	9	30
35474	COVER, LOWER MOUNT			45508	CAM, LIMIT SWITCH		
	CLAMP	45	37		ADJUSTING STUD	59	25
35496	PAD, BUMPER - TOP COWL			45509	PLATE, RETAINING - LIMIT		
	RETAINER	3	3	45559	SWITCH CAM	59	26
35608	CLAMP	45	34		TERMINAL BLOCK, STATOR		
35769	SEAL, SOUND ABSORBING -				LEADS	19	13
	UPPER	5	9	46096	MOUNT, RUBBER	3	18
37417	COVER, TRIM - DRIVE			46265	BOOT, RUBBER - STARTER		
	SHAFT HOUSING	45	5		SOLENOID TERMINAL ...	55	33
37440	BRACKET, MOUNT			46265	BOOT, SOLENOID		
	SUPPORT - CYLINDER				TERMINAL	19	37
	BLOCK	29	28	46785A1	COWL LATCH ASSEMBLY ..	5	12
37445	SUPPORT, WIRING			46933A2	GROUND STRAP		
	HARNES - BOTTOM				ASSEMBLY, TRIM COVER		
	COWL	35	10		SCREW	45	6B
37587	SWIVEL	15	22	46933A3	GROUND STRAP		
37637	BOOT, FUEL CONNECTOR -				ASSEMBLY, EXHAUST		
	BOTTOM COWL	35	9		COVER	29	36

PARTS INDEX

Part Number	Description	Pg.	Ref. No.	Part Number	Description	Pg.	Ref. No.
47341A1	ROPE, STARTER (FOR MANUAL STARTING ONLY)	3	9	55805	BRACKET, STOP	15	41
47398	BRACKET, REAR - WIRE RETAINER	11	32	55991	BATTERY LEAD (POSITIVE)	55	39
47558	ROD	45	15	55992	BATTERY LEAD (NEGATIVE)	55	39
47559	YOKE	45	17	56029	COVER, STARTER MOTOR BRACKET - TOP	27	9
48047A1	LINK ROD ASSEMBLY	35	20	56349	SHAFT, REVERSE LOCK PIVOT	41	29
48152	SHUTTER, CHOKE - CARBURETOR	21	25	56703	COLLAR, RUBBER - STARTER MOTOR MOUNT	19	24
48203	ROD, CHOKE	21	22	56849	KNOB, COWL FRONT COVER FASTENING	5	2
48671	PLATE, THROTTLE ACTUATOR	15	28	57247	STOP, RUBBER - STARTER MOTOR	19	22
48692	COLLAR, THROTTLE ACTUATOR	15	24	58124A4	SWITCH, MERCURY	27	22
48752	INSERT, WATER PUMP BODY	47	24	58454	CAM, THROTTLE ACTUATOR PLATE	15	33
49589	STRAP, CHOKE KNOB TO CHOKE ROD	21	19	58807A1	FLAME ARRESTOR, VENT - DISTRIBUTOR CAP	9	23
52023	CAP	15	27	58807A1	FLAME ARRESTOR, VENT - DISTRIBUTOR HOUSING	9	7
52023	CAP, NYLON - STOP BRACKET ADJUSTING SCREW	17	46	59071	COVER, FUEL INLET	25	12
52100	WEAR PLATE, LINK ROD	35	33	60096	BOOT, HIGH TENSION CABLE	9	21
52518	CLUSTER	21	7	60096	BOOT, SPARK PLUG LEAD TO DISTRIBUTOR	9	28
52699	COVER, GEAR HOUSING	51	69	60304A54	SHIFT SHAFT ASSEMBLY, UPPER	35	17
52732	BRACKET, ANCHOR - CONTROL CABLES	35	24	60437	MEGAPHONE, EXHAUST	37	19
52733A9	RETAINER ASSEMBLY, TOP COWL	3	2	62301	COVER, TRANSFER PORT (TOP/MIDDLE)	29	30
52737	LEVER, COWL LATCHHINGE	3	11	62351A1	RECTIFIER ASSEMBLY	19	38
52739	HINGE, COWL LATCH - TOP COWL	3	10	62497	BRACKET, SUPPORT - DRIVE SHAFT	45	40
52862A2	DRIP TRAY SSEMBLY, BOTTOM COWL	35	2	63194	PAD, RUBBER - IGNITION COIL	13	2
52887	GUIDE	45	14	63195	COVER, IGNITION COIL	13	3
52889	NOZZLE, TELL TALE HOSE TO BOTTOM COWL	35	14	63473	TUBE, CUSHION - SHOCK PIN	41	20
53078	CAP, PLASTIC - TILT TUBE	41	7	64505A1	RETAINER ASSEMBLY, PISTON	63	12
53334	SEAL, SOUND ABSORBING - TOP	5	10	64507A1	REPAIR KIT	63	-
53417	GROUND STRAP ASSEMBLY	9	5	64954	BRACKET, TOP COWL SUPPORT - REAR	3	20
53665	INSERT, THROTTLE COUPLING	21	12	65638	BOOT, TUBE MOUNT	45	8A
53720A2	THROTTLE PICK-UP BRACKET ASSEMBLY	21	10	65799	LINK, LOCKING LEVER TO COVER	35	29
54196A6	CARRIER ASSEMBLY, "O" RING	31	5	65800	"O" RING, CARRIER	31	6
54283A1	PLUNGER AND LINK ASSEMBLY, CHOKE SOLENOID	21	6	66084	BRACKET, MOUNTING - SHOCK CYLINDER (PORT)	59	7
54293A4	CHOKE SOLENOID	21	1	66094	COVER, TRANSFER PORT (BOTTOM)	29	30
54346	CAM, SHIFT	51	49	66096A1	PLATE ASSEMBLY, EXHAUST EXTENSION	37	1
54567	CAP, DISTRIBUTOR HOUSING	17	50	66165A2	ADAPTOR ASSEMBLY, DISTRIBUTOR	15	35
54651	CABLE	19	20	66517	RESTRICION, CRANKCASE BLEED	27	3
55455	HOOK, TOP COWL LATCH - REAR	3	13	66530A2	FUEL PUMP ASSEMBLY	25	1
55804A1	ECONOMIZER COLLAR ASSEMBLY	15	6	66599A1	DIAPHRAGM ASSEMBLY	25	3
				67469	ROD, LINK - UPPER	15	12A

PARTS INDEX

Part Number	Description	Pg.	Ref. No.	Part Number	Description	Pg.	Ref. No.
69190	PLATE, COIL MOUNTING	13	10	86922A1	FRAME ASSEMBLY, TOP		
69205	"D" WASHER, CLIP				COWL SUPPORT	3	16
	FASTENING SCREW	7	15	N.S.S.	"O" RING (1 1/2" X 1 5/8" X		
69205	"D" WASHER, FUEL LINE				1/16")	63	1
	CLIP SCREW	25	28	N.S.S.	"O" RING (1 1/4" X 1 7/16" X		
69205	"D" WASHER, WIRING				1/16")	63	4
	HARNESS CLIP SCREW	19	12	N.S.S.	"O" RING (1 3/4" X 1 15/16" X		
69259	TUBE, MOUNTING - TILT				1/8")	63	9
	STOP	61	45	N.S.S.	"O" RING (1 5/16" X 1 1/2" X		
70692	REVERSE LOCK ASSEMBLY	41	27		1/8")	63	7
71808	COVER, WATER JACKET -			N.S.S.	"O" RING (1 5/8" X 1 13/16" X		
	CYLINDER BLOCK	29	13		1/8")	63	6
73519A1	TILT STOP	61	44	N.S.S.	"O" RING (1 7/8" X 2" X 1/8")	63	8
73755A1	KNOB, CHOKE ROD	21	17	N.S.S.	"O" RING (3/4" X 15/16" X		
73984	YOKE, BOTTOM	39	15		1/8")	63	2
74257A3	PLATE ASSEMBLY, DRIVE			N.S.S.	"O" RING (5/8" X 3/4" X 1/16")	63	3
	SHAFT HOUSING	37	15	N.S.S.	"O" RING (7/32" X 11/32" X		
74406	BRACKET, MOUNTING -				1/16")	63	5
	STARTER SOLENOID	55	40	N.S.S.	PISTON, ROD - HEAVY		
74407	BRACKET, MOUNTING -				DUTY	63	11
	STARTER SOLENOID	55	34	N.S.S.	RETAINER, SCRAPER	63	14
74528	TUBE	41	4	N.S.S.	ROD, SCRAPER	63	13
75043	CAP, THUMB SCREW	41	3	N.S.S.	SEAL, SLIPPER - PISTON	63	10
75282	THRUST HUB AND WASHER			10-20037	SCREW, RETAINER TO		
	ASSEMBLY	51	75		FUEL PUMP (1/4")	25	10
75296	MOUNT, RUBBER - UPPER	45	20	10-20359	SCREW, CENTER MAIN		
75299	MOUNT, RUBBER - LOWER	45	24		BEARING LOCKING	27	20
75778	PLATE, BAFFLE - EXHAUST			10-20411	SCREW, VALVE BODY TO		
	MANIFOLD	29	18		RESERVOIR	53	4
75971A1	FRAME ASSEMBLY, TOP			10-20847	SCREW, CLUSTER TO		
	COWL SUPPORT	3	16		THROTTLE LEVER	21	8
76039	CAM, SHIFT	51	49	10-20847	SCREW, THROTTLE STOP		
76062A1	SHAFT ASSEMBLY, SHIFT -				LEVER	23	18
	LOWER	49	39	10-21140	SCREW	55	35
76367	POINTER, TIMING	29	33	10-21937	SCREW, LOWER SHOCK PIN	43	32
76369	SPACER, BOTTOM COWL			10-22523	SCREW	21	29
	(COWL FRONT COVER)	35	7	10-22956	SCREW, REAR HOOK TO		
76370	SHIELD, TOP COWL - REAR	3	6		TOP COWL (7/8")	3	14
76385	TILT LOCK ASSEMBLY			10-22968	SCREW, CENTER MAIN		
	(PORT)	41	22		BEARING CLAMPING	31	13
76386	TILT LOCK ASSEMBLY			10-23015	SCREW	21	29
	(STARBOARD)	41	21	10-24234	SCREW	35	30
76387	TUBE, TILT LOCK	41	23	10-24234	SCREW	55	23
76395A5	HYDRAULIC PUMP			10-24234	SCREW, BRACKET TO		
	ASSEMBLY	55	1		CYLINDER BLOCK (1")	29	29
76395A5	HYDRAULIC PUMP			10-24942	SCREW	59	34
	ASSEMBLY, COMPLETE	53	-	10-25299	SCREW, CHOKE SOLENOID		
76509A3	TRIM CYLINDER ASSEMBLY				(3/4")	21	4
	(SEE D7 FOR REPAIR KIT)	59	1	10-28200	SCREW	39	12
76867	COVER, STARTER MOTOR			10-28634	SCREW, FILLER -		
	BRACKET - BOTTOM	27	13		HYDRAULIC PUMP	53	8
77103A3	BRACKET ASSEMBLY, TOP			10-28634	SCREW, FILLER -		
	COWL - FRONT	3	29		HYDRAULIC PUMP	55	3
77520A1	BEARING CARRIER			10-28636	SCREW	15	42
	ASSEMBLY	51	64	10-28636	SCREW	29	32
77669	PIN, MOUNTING TUBE	61	46	10-28636	SCREW, TIMING POINTER		
78184	TUBE, EXHAUST	45	8		ATTACHING (3/4")	29	34
78992	LEVER, THROTTLE			10-29256	SCREW	45	36
	CONTROL	15	14	10-29362	SCREW	15	37

PARTS INDEX

Part Number	Description	Pg.	Ref. No.	Part Number	Description	Pg.	Ref. No.
10-29794	SCREW, SWITCH BOX (3/8")	19	17	10-54803	SCREW, CONNECTING ROD	31	28
10-30720	SCREW	47	29	10-55511	SCREW	3	32
10-32293	SCREW, CRANKCASE TO CYLINDER BLOCK (1 3/4")	27	17	10-56500	SCREW	55	14
10-32417	SCREW, FLEXIBLE PLATE TO FLYWHEEL (5/8")	7	5	10-57807	SCREW, TRIM COVER TO BOTTOM COWL	45	6
10-32866	SCREW, INLET COVER TO BOAT (2")	59	38	10-57841	SCREW, CRANKCASE TO CYLINDER BLOCK (2 3/4")	27	17
10-34290	SCREW	57	43	10-60480	SCREW	37	20
10-37370	SCREW, COVER TO FUEL PUMP (5/8")	25	13	10-62204	SCREW, REED STOP MOUNTING	31	21
10-37370	SCREW, SHIELD TO TOP COWL (5/8")	3	7	10-62568	SCREW	13	9
10-37558	SCREW, RETAINER TO TOP COWL (1 1/4")	3	4	10-62568	SCREW	19	11
10-37559	SCREW	15	18	10-62568	SCREW	19	14
10-37562	SCREW, REAR BRACKET TO BOTTOM COWL (1")	3	27	10-62568	SCREW, FRONT AND REAR BRACKET ATTACHING	11	33
10-37562	SCREW, REAR BRACKET TO FRAME (1")	3	24	10-62568	SCREW, FUEL LINE CLIP (3/8")	25	27
10-37571	SCREW	37	5	10-62568	SCREW, GROUND STRAP ATTACHING	45	6C
10-37656	SCREW, RECTIFIER TO FRONT BRACKET (5/8")	19	39	10-62568	SCREW, GROUND STRAP ATTACHING (3/8")	9	6
10-37892	SCREW	15	29	10-62568	SCREW, GROUND STRAP ATTACHING (3/8")	29	37
10-38257	SCREW, VENT - HYDRAULIC PUMP	53	7	10-62568	SCREW, MERCURY SWITCH LEAD	27	24
10-38257	SCREW, VENT - HYDRAULIC PUMP	55	5	10-62568	SCREW, STATOR LEAD CLIP FASTENING (3/8")	7	14
10-38601	SCREW, SOLENOID TO BOTTOM COWL (5/8")	19	29	10-64022	SCREW, STOP BRACKET ADJUSTING (2 1/8")	17	44
10-45263	SCREW	59	8	10-64279	SCREW	19	18
10-45264	SCREW	59	4	10-65210	SCREW	51	74
10-45265	SCREW, BLEED - SHOCK CYLINDER	59	2	10-65774	SCREW, DISTRIBUTOR CAP CLAMP (1 1/8")	9	16
10-45328	SCREW	59	19	10-66023	SCREW, ADAPTOR PLATE TO HOUSING PLATE (2")	37	8
10-45775	SCREW, MAIN BEARING CLAMPING	31	17	10-66023	SCREW, HOUSING PLATE TO DRIVE SHAFT HSG. (2")	37	10
10-47255	SCREW	59	31	10-66024	SCREW, TRIM TAB TO GEAR HOUSING (1 3/4")	51	71
10-47828	SCREW, DRIVE - SWIVEL BRACKET	39	6	10-66104	SCREW, THROTTLE BRACKET MOUNTING	21	11
10-48408	SCREW	35	15	10-68298	BOLT	41	13
10-48408	SCREW, DRIP TRAY TO BOTTOM COWL (1/2")	35	4	10-68298	BOLT	59	9
10-48409	SCREW, SUPPORT BRACKET ATTACHING (5/8")	45	41	10-68298	BOLT, HYDRAULIC PUMP TO BOAT (3 1/4")	55	26
10-48591	SCREW, SPACER TO BOTTOM COWL (1/2")	35	8	10-68299	BOLT	41	13
10-48591	SCREW, STRAP TO CHOKE ROD (1/2")	21	23	10-68513	SCREW	59	27
10-48675	SCREW	15	25	10-68554	SCREW, PULLEY CLAMPING	17	56
10-49318	SCREW, LOWER MOUNT (5 1/2")	45	25	10-68997	SCREW, PLATE/HUB TO FLEX. PLATE (7/8")	7	6
10-49554	BOLT, STEERING ARM TO UPPER MOUNT (5 7/8")	39	18	10-69020	SCREW	19	4
10-52195	SCREW, FLOAT BOWL COVER	23	13	10-69028	SCREW	57	41
10-53167	SCREW	29	15	10-69029	SCREW, ADAPTOR TO BOTTOM COWL (1 3/4")	25	38
10-53576	SCREW, MANIFOLD COVER MOUNTING	29	21	10-69029	SCREW, SUPPORT TO BOTTOM COWL (1 3/4")	35	11
				10-69034	SCREW, END CAP MOUNTING	29	6

PARTS INDEX

Part Number	Description	Pg.	Ref. No.	Part Number	Description	Pg.	Ref. No.
10-69035	SCREW, WIRE CABLE TO STARTER MOTOR	19	21	11-34933	NUT, STEERING ARM BOLT FASTENING	39	19
10-69046	SCREW, COIL TO CYLINDER BLOCK (2")	13	4	11-34933	NUT, UPPER MOUNT BOLT	45	23
10-69052	SCREW, GROUND WIRE TO BOTTOM COWL	19	8	11-35521	NUT, LOWER MOUNT CLAMP COVER	45	38
10-69092	SCREW, FRONT BRACKET TO BOTOM COWL (1 1/4")	3	30	11-35814	NUT, WATER PUMP BODY FASTENING STUD	49	34
10-69100	SCREW, COVER MOUNTING (1")	29	25	11-35888	NUT, RUBBER MOUNT TO TOP COWL FRAME	3	19
10-69100	SCREW, TRANSFER PORT COVER MOUNTING (1")	29	32	11-35888	NUT, THROTTLE CABLE TO LOWER SWIVEL	15	23
10-69235	SCREW	27	23	11-35888	NUT, UPPER LINK ROD THROTTLE CONTROL LEVER	15	17
10-69267	SCREW, TOP COVER ATTACHING (1 3/4")	27	10	11-35888	NUT, WATER PUMP FASTENING SCREW	47	32
10-69268	SCREW, BOTTOM COVER ATTACHING (1 7/8")	27	14	11-35921	NUT, PINION GEAR TO DRIVE SHAFT	47	10
10-69375	SCREW	43	41	11-36069	NUT, LINK ROD	35	22
10-69762	SCREW, TOP COVER ATTACHING (1 3/8")	27	10	11-45076	NUT, IGNITION COIL TERMINAL (#10)	13	7
10-73657	SCREW, CRANKCASE TO CYLINDER BLOCK (1 1/2")	27	17	11-45076	NUT, STATOR LEADS TO RECTIFIER	19	42
10-75840	SCREW, STATOR TO UPPER END CAP (7/8")	7	12	11-45076	NUT, SWITCH BOX TERMINAL	19	16
10-76196	SCREW, STRAP TO CHOKE KNOB (5/8")	21	20	11-45774	NUT, MAIN BEARING CLAMPING SCREW	31	18
10-78492A1	THUMB SCREW ASSEMBLY	41	2	11-45812	NUT, JAM - LIMIT SWITCH ADJUSTING STUD	59	24
10-78495	SCREW, WASHER ATTACHING	41	2A	11-46438	NUT, STRAP TO CHOKE ROD SCREW	21	24
10-79953	SCREW, GREASE FILLER AND VENT HOLE	49	47	11-46887	NUT	21	35
11-20110	NUT	21	31	11-46887	NUT, BEARING CLAMPING SCREW	31	14
11-20110	NUT, CHOKE SHUTTER TO CARBURETOR STUD	21	27	11-46887	NUT, LOWER SHOCK PIN SCREW	43	33
11-20509	NUT, THROTTLE CONTROL LEVER SCREW	15	21	11-46887	NUT, SWITCH BOX SCREW	19	19
11-20696	NUT, SHOCK CYLINDER SCREW	59	21	11-47661	NUT	45	16
11-21825	NUT, STARTER SOLENOID SCREW	57	45	11-49091	NUT, CONNECTING ROD SCREW	31	29
11-21908	NUT, MOUNTING BRACKET SCREW	55	25	11-52707	NUT, PROPELLER	51	77
11-24656	NUT	55	37	11-52901	NUT	7	2
11-25096	NUT, LOWER MOUNT SCREW	45	27	11-53153	NUT, REED STOP SCREW	31	22
11-25269	NUT, STRAP STOP FASTENING SCREW	39	13	11-54209	NUT, ROTOR SHAFT TO DISTRIBUTOR HOUSING	9	2
11-26768	NUT, DISTRIBUTOR CAP CLAMP SCREW	9	17	11-56041	NUT, TILT TUBE FASTENING	41	6
11-28770	NUT	3	36	11-64015	NUT	15	26
11-28770	NUT	59	18	11-64015	NUT, STARTER MOTOR TERMINAL	19	27
11-28770	NUT, CLAMP BRACKET STUD	41	11	11-64015	NUT, STOP BRACKET ADJUSTING SCREW	17	45
11-29250	NUT	27	19	11-64809	NUT, CARBURETOR MOUNTING STUD	23	35
11-29488	NUT, INLET COVER SCREW	61	40	11-68219	NUT, SOLENOID TERMINAL	21	3
11-29489	NUT	45	32	11-68219	NUT, SOLENOID TERMINAL (#10)	19	33
11-29598	NUT	3	23	11-68219	NUT, STARTER SOLENOID TERMINAL (#10)	55	30
11-34932	NUT, POWERHEAD STUD	37	23	11-68292	NUT, SOLENOID TERMINAL (5/16")	19	36
11-34933	NUT	45	30				
11-34933	NUT	51	73				

PARTS INDEX

Part Number	Description	Pg.	Ref. No.	Part Number	Description	Pg.	Ref. No.
11-68292	NUT, STARTER SOLENOID TERMINAL (5/16")	55	32	12-47840	WASHER, RUBBER - UPPER MOUNT BOLT	45	21
11-68411	NUT, CLAMP BRACKET BOLT	41	15	12-49339	WASHER, LOWER MOUNT SCREW	45	26
11-68411	NUT, HYDRAULIC PUMP BOLT	55	27	12-52864	WASHER, CLAMP BRACKET TILT TUBE	41	5
11-68411	NUT, MOUNTING BRACKET BOLT	59	11	12-53540	WASHER	15	5
11-69254	NUT, POWERHEAD STUDS (3/8-24)	45	11	12-59378	WASHER, LOWER BUSHING RETAINER (INNER)	43	39
12-20084	WASHER, DISTRIBUTOR HOUSING SCREW	15	38	12-59572	WASHER, COVER FASTENING KNOB (PLASTIC)	5	4
12-20260	WASHER	49	48	12-68229	WASHER, FLYWHEEL NUT	7	3
12-20260	WASHER	55	4	12-68300	WASHER, CLAMP BRACKET BOLT (UPPER)	41	14
12-20260	WASHER, SEALING - FILLER SCREW	53	9	12-68410	WASHER, CLAMP BRACKET BOLT (LOWER)	41	14
12-20878	WASHER, INLET COVER SCREW	61	39	12-68410	WASHER, MOUNTING BRACKET BOLT	59	10
12-22753	WASHER	27	18	12-69342	WASHER, SWIVEL PIN - UPPER	39	4
12-24391	WASHER, STOP BRACKET ADJUSTING SCREW	17	45A	12-69374	WASHER	43	40
12-25970	WASHER, POWERHEAD STUD	37	22	12-69380	WASHER, SWIVEL PIN - LOWER	39	10
12-25970	WASHER, POWERHEAD STUDS	45	12	12-70132	WASHER	29	16
12-27939	WASHER, DISTRIBUTOR HOUSING	17	47	12-76388	WASHER, TILT LOCK (STARBOARD SIDE ONLY)	41	25B
12-28196	WASHER, UPPER BUSHING RETAINER (INNER)	43	38	12-76805	WASHER	51	62
12-29245	WASHER	47	31	12-77674	WASHER, RUBBER - SHIFT SHAFT BUSHING	49	44
12-29245	WASHER, MEGAPHONE SCREW	37	21	12-78493	WASHER, THUMB SCREW	41	2B
12-29245	WASHER, THROTTLE CONTROL LEVER SWIVEL	15	16	13-26992	LOCKWASHER	3	22
12-29395	WASHER, THROTTLE CONTROL LEVER SCREW	15	19	13-26992	LOCKWASHER	19	30
12-30164	WASHER	15	30	13-26992	LOCKWASHER	55	15
12-30164	WASHER, COIL SCREW	13	5	13-26992	LOCKWASHER, FRONT SUPPORT BRACKET SCREW	3	31
12-30164	WASHER, WIRING HARNESS CLAMP SCREW	19	6	13-26992	LOCKWASHER, GROUND WIRE SCREW	19	9
12-30771	WASHER, COVER FASTENING KNOB (RUBBER)	5	3	13-26992	LOCKWASHER, MOUNTING BRACKET SCREW	55	36
12-31263	WASHER, UPPER MOUNT BOLT	45	22	13-26992	LOCKWASHER, MOUNTING BRACKET SCREW	57	42
12-35462	WASHER, LINK ROD	35	21	13-26992	LOCKWASHER, REAR HOOK MOUNTING SCREW	3	15
12-35462	WASHER, STOP BRACKET FASTENING SCREW	17	43	13-26992	LOCKWASHER, STARTER MOTOR TERMINAL	19	26
12-35462	WASHER, TIMING POINTER SCREW	29	35	13-26992	LOCKWASHER, STARTER SOLENOID SCREW	57	44
12-36001	WASHER, WATER PUMP BODY FASTENING STUD	47	33	13-26992	LOCKWASHER, WATER PUMP BODY SCREW	47	30
12-37807	WASHER	59	20	13-26993	LOCKWASHER	3	33
12-45176	WASHER	45	31	13-26993	LOCKWASHER	3	35
12-45176	WASHER	45	33	13-26993	LOCKWASHER	55	31
12-45176	WASHER	51	72	13-26993	LOCKWASHER	59	17
12-46246	WASHER, ADAPTOR - DISTRIBUTOR HOUSING	15	34	13-26993	LOCKWASHER, BOTTOM COVER SCREW	27	15
12-47247	WASHER, NEEDLE LOCATING	31	31	13-26993	LOCKWASHER, CHOKE SOLENOID SCREW	21	5

PARTS INDEX

Part Number	Description	Pg.	Ref. No.	Part Number	Description	Pg.	Ref. No.
13-26993	LOCKWASHER, REAR BRACKET SCREW	3	26	16-57920	STUD	47	4
13-26993	LOCKWASHER, REAR SUPPORT BRACKET SCREW	3	28	16-57921	STUD	47	3
13-26993	LOCKWASHER, SOLENOID TERMINAL (5/16")	19	35	16-59625	STUD	41	9
13-26993	LOCKWASHER, TOP COVER SCREWS	27	11	16-64280	STUD, CARBURETOR MOUNTING (1 3/16")	27	4
13-26995	LOCKWASHER, FLOAT BOWL COVER SCREW	23	15	16-64281	STUD	27	5
13-26996	LOCKWASHER	15	31	16-64282	STUD	27	8
13-26996	LOCKWASHER	55	29	16-69037	STUD, CARBURETOR - CHOKE SHUTTER PIVOT	21	26
13-26996	LOCKWASHER	59	28	17-20032	DOWEL PIN, CENTER MAIN BEARING	31	8
13-26996	LOCKWASHER, SOLENOID TERMINAL	21	2	17-20032	DOWEL PIN, MAIN BEARING	31	16
13-26996	LOCKWASHER, SOLENOID TERMINAL (#10)	19	32	17-20033	PIN, DOWEL - CRANKCASE TO CYLINDER BLOCK	27	6
13-26996	LOCKWASHER, THRU BOLT	53	18	17-23784	DOWEL PIN, DRIVE SHAFT HOUSING PLATE	37	17
13-26996	LOCKWASHER, WIRING HARNESS CLAMP SCREW	19	5	17-23784	DOWEL PIN, EXHAUST EXTENSION PLATE	37	6
13-27959	WASHER	17	49	17-26618	PIN, DOWEL - PULLEY TO FLYWHEEL	7	7
13-29720	WASHER, WAVE - LINK ROD	35	23	17-27961	PIN, ECONOMIZER COLLAR - SPRING RETAINER	15	7
13-37371	LOCKWASHER, SHIELD SCREW	3	8	17-27962	PIN, ANCHOR SPRING - DISTRIBUTOR HOUSING	15	3
13-39107	LOCKWASHER, MOUNTING BRACKET SCREW	55	24	17-29077	ROLL PIN, TENSION SPRING TO KNOB	5	6
13-39107	LOCKWASHER, RETAINER TO TOP COWL SCREW	3	5	17-29908	PIN, ROLL - FLANGE LOCATING	17	53
13-39954	WASHER	15	15	17-30632	PIN, CROSS - RATCHET TO PROPELLER SHAFT	51	58
13-69150	WASHER	41	25	17-35973	DOWEL PIN	47	19
14-20091	TAB WASHER, BEARING LOCKING SCREW	27	21	17-38311	PIN	41	18
14-27960	TAB WASHER, ADAPTOR CAP FASTENING	17	48	17-46912	DOWEL PIN, GEAR HOUSING LOCATING	47	2
14-31210	TAB WASHER, PROPELLER NUT	51	76	17-47175	PIN, LOCKING LEVER AND COVER FASTENING	35	27
14-52700	TAB WASHER, GEAR HOUSING COVER	51	68	17-47246	DOWEL PIN, STEPPED	31	12
15-20085A1	SHIM, END CAP TO CRANKCASE (.002-3-5-10)	29	11	17-49930A1	TILT LOCK PIN ASSEMBLY	41	12
15-21148A1	SHIM, BALL BEARING TO SPACER	9	10	17-58998	PIN, ROLL - COWL LATCH LEVER TO HINGE	3	12
15-30923A1	SHIM	51	53	17-63779	PIN, DOWEL - CYLINDER BLOCK TO MAIN BEARING	27	7
15-47248A1	SHIM, END CAP TO CRANKCASE (.006-8-10)	29	5	17-73593A1	SWIVEL PIN AND ARM ASSEMBLY	39	14
15-55853	SHIM, BALL BEARING TO DISTRIBUTOR HOUSING	9	8	18-25191	COTTER PIN	45	19
15-57007A1	SHIM, BALL BEARING TO BASE	47	11	18-36391	COTTER PIN, MOUNTING TUBE PIN	61	47
16-21085	STUD, ADJUSTING - CUT-OUT LIMIT SWITCH (15/16")	59	23	18-45882	COTTER PIN, REVERSE LOCK TO SHAFT	43	30
16-30667	STUD	47	6	18-47959	COTTER PIN, TILT LOCK	41	26
16-39937	STUD, CHOKE ROD SPRING TO CARBURETOR	21	33	19-45907	PLUG, FLYWHEEL PULLER THREADS	7	1
16-45282	STUD, MOUNTING BRACKET AND CLAMP BRACKET	59	16	19-64649	PLUG, PLASTIC - TRIM TAB SCREW HOLE	45	3
16-56295	STUD	45	2	21-30430A7	CHECK VALVE ASSEMBLY	25	2
16-56297	STUD	47	5	21-77560	CHECK VALVE, BLEED HOSE - UPPER	27	25
				21-77561	CHECK VALVE, BLEED HOSE - LOWER	27	27
				22-20781	ELBOW, BALANCE HOSE	27	28

PARTS INDEX

Part Number	Description	Pg.	Ref. No.	Part Number	Description	Pg.	Ref. No.
22-25094	FITTING, GREASE - DISTRIBUTOR ADAPTOR	15	36	23-53539	SLEEVE, ROTOR SHAFT . . .	9	3
22-25094	FITTING, GREASE - ECONOMIZER COLLAR . .	15	8	23-56774	SPACER, COLLAR TO TOP MOUNTING CAP	19	23
22-32802	PLUG, PIPE - EXHAUST MANIFOLD COVER	29	22	23-59624	SPACER, CLAMP BRACKET STUD	41	8
22-46008	PLUG, CONTROL VALVE (1/2-20")	55	17	23-62238--1	SLEEVE, SPARK PLUG LEAD (7")	9	28A
22-63981	ELBOW, FUEL LINE TO ADAPTOR	25	24	23-69132	BUSHING, REVERSE LOCK PIVOT SHAFT	39	2
22-64704	FITTING, ELBOW - LOWER CARBURETOR	25	31	23-69341	BUSHING, SWIVEL BRACKET	39	3
22-64704	FITTING, PULSE LINE (90 DEG.)	25	18	23-70412	SPACER, BALL BEARING TO BASE	47	11
22-64704	FITTING, PULSE LINE TO TRANSFER COVER	25	22	23-73203	SPACER	43	37
22-64706	FITTING, TEE - CENTER CARBURETOR	25	30	23-77631A2	BUSHING ASSEMBLY, SHIFT SHAFT	49	42
22-66328	FITTING, TEE - UPPER CARBURETOR	25	29	24-20099	SPRING, LINK ROD TO GUIDE BLOCK	35	31
22-67892	PLUG, DRAIN (MAGNETIC) .	49	47	24-23067	SPRING, ADAPTOR STEM .	25	35
22-68307	PLUG, PIPE - CYLINDER BLOCK COVER	29	27	24-24390	SPRING, TENSION - ADJUSTING STUD	59	22
22-74036	FITTING, GREASE - SWIVEL BRACKET	39	7	24-27944	SPRING, HORSESHOE - DISTRIBUTOR HOUSING .	15	4
22-74036	GREASE FITTING	59	1A	24-28659	SPRING	41	17
22-78279	ELBOW, TELL TALE HOSE TO CYLINDER BLOCK . . .	35	16	24-28975	SPRING, GARTER - INTERNAL WIRING HARNESS	19	7
22-78742	TEE, BALANCE HOSE	27	30	24-30622	SPRING, COMPRESSION - CAM FOLLOWER	51	52
22-85822A1	CONNECTOR ASSEMBLY, SPEEDOMETER	47	1A	24-30772	SPRING, TENSION - FASTENING KNOB	5	5
23-26600	BUSHING, SHIFT SHAFT . . .	35	18	24-30893	SPRING, RETAINING - CROSS PIN	51	59
23-27132	BUSHING, NYLON - EXHAUST EXTENSION PLATE	37	2	24-35522	SPRING, TENSION - LOWER MOUNT CLAMP	45	35
23-28198	BUSHING, RUBBER - SHOCK ABSORBER (LOWER) . . .	43	36	24-45272	SPRING, TENSION - LIMIT SWITCH PLUNGER	59	15
23-28688	SPACER, RUBBER - COIL SPRING POSITIONING . .	41	19	24-48230	SPRING, CHOKE ROD TENSION	21	32
23-29804	SLEEVE, GUIDE - WATER INLET TUBE	49	36	24-57818	SPRING, UPPER FILTER SCREEN SCREW	21	30
23-32171	BUSHING, RUBBER - SHOCK ABSORBER (UPPER)	43	35	24-68434	SPRING, PULSE LINE	25	19
23-32427	SPACER, CHOKE ROD SPRING STUD	21	34	24-78203A1	SPRING, REVERSE LOCK TENSION	41	28
23-35977	GROMMET, RUBBER - LIFT HOSE AND TRIM HOSE . .	61	43	25-20116	GROMMET, CHOKE ROD . .	21	18
23-45280	SPACER, SHOCK CYLINDER - LOWER	59	5	25-20415	"O" RING, ADAPTOR STEM .	25	36
23-45281	BUSHING, RUBBER - SHOCK CYLINDER	59	6	25-21720	"O" RING	55	10
23-45354	BUSHING, RUBBER - CUT-OUT LIMIT SWITCH	59	30	25-21720	"O" RING	55	12
23-45818	BUSHING, THROTTLE CONTROL LEVER SCREW	15	20	25-21720	"O" RING, HYDRAULIC PUMP	53	1
23-47250	SPACER, DRIVE PULLEY . .	17	51	25-21720	"O" RING, HYDRAULIC PUMP TO MANIFOLD PLATE	55	2
23-48674	SPACER, THROTTLE ACTUATOR PLATE SCREW	15	32	25-25439	"O" RING, SHIFT SHAFT BUSHING	49	41
23-53538	SPACER, ROTOR SHAFT . .	9	11	25-26547	GROMMET, HIGH TENSION CABLE	9	19
				25-26547	GROMMET, SPARK PLUG LEADS	9	29

PARTS INDEX

Part Number	Description	Pg.	Ref. No.	Part Number	Description	Pg.	Ref. No.
25-30271	RING	49	35	27-66102	GASKET, PLATE TO DRIVE		
25-32546	"O" RING, END CAP	29	10		SHAFT HSG. PLATE	37	11
25-33145	"O" RING, WATER PUMP			27-69238	GASKET, POWERHEAD TO		
	BASE	47	15		EXTENSION PLATE	37	7
25-45016	"O" RING, SHOCK CYLINDER			27-72142	GASKET, WATER JACKET		
	BLEED SCREW	59	3		COVER	29	14
25-45253	"O" RING	55	13	27-72506	GASKET, CYLINDER BLOCK		
25-45254	"O" RING	55	11		COVER	29	24
25-45507	GROMMET, RUBBER - INLET			27-72507	GASKET, CYLINDER BLOCK		
	COVER	59	37		TO BAFFLE PLATE	29	17
25-47254	"O" RING	29	4	27-72509	GASKET	29	19
25-57806	GROMMET, PLASTIC - TRIM			27-90476A75	GASKET SET	1	-
	COVER SCREW	45	6A	28-29910	KEY, DISTRIBUTOR DRIVER	17	55
25-62702	"O" RING, TILT LOCK	41	25C	28-30281	KEY, LOCATING - BEARING		
26-22734	OIL SEAL, SWIVEL				CARRIER	51	67
	BRACKET (TILT LOCK)	41	25A	28-56654	KEY, IMPELLER DRIVE	47	28
26-29476	OIL SEAL, END CAP	29	3	29-47270	BEARING, NEEDLE - PISTON		
26-29476	OIL SEAL, END CAP	29	9		PIN	31	30
26-31489	OIL SEAL, WATER PUMP			29-52168	BEARING, NEEDLE - OUTER		
	BASE	47	17		RACE	31	9
26-31507	OIL SEAL, WATER PUMP			30-20066	BALL BEARING,		
	BASE	47	18		DISTRIBUTOR HOUSING		
26-37448	OIL SEAL, SWIVEL				(UPPER)	9	1
	BRACKET	39	5	30-26379	BALL BEARING,		
26-38970	SEAL, RUBBER - WATER				DISTRIBUTOR HOUSING (
	INLET TUBE	37	16		LOWER)	9	9
26-38970	SEAL, RUBBER - WATER			30-62567	BEARING, BALL - UPPER	31	3
	INLET TUBE	47	26	30-63742	BEARING, BALL - LOWER	31	4
26-55682A1	SEAL REPAIR KIT	49	-	31-30894A1	TAPERED ROLLER BEARING		
26-60898	SEAL, DRIVE SHAFT				ASSEMBLY	51	54
	HOUSING PLATE	37	14	31-30895	BEARING, ROLLER -		
26-70608	OIL SEAL, STARBOARD				FORWARD GEAR	51	55
	MOUNTING BRACKET	59	13	31-30956	BEARING, ROLLER -		
26-76384	OIL SEAL, SHIFT SHAFT				BEARING CARRIER	51	65
	BUSHING	49	43	31-32898	BEARING, ROLLER - DRIVE		
26-76868	OIL SEAL, BEARING				SHAFT	47	7
	CARRIER	51	66	31-62596A1	BEARING ASSEMBLY,		
27-32433	GASKET, LOWER	47	20		CRANKPIN	31	27
27-32434	GASKET, UPPER	47	22	31-69220	ROLLER BEARING, DRIVE		
27-33146	GASKET, WATER PUMP				SHAFT	47	12
	BASE	47	14	32-34395A1	HOSE	35	13
27-45274	GASKET, INLET COVER	59	36	32-34395A1	HOSE, BALANCE - MAIN		
27-45275	GASKET, LIMIT SWITCH				BEARING (6 1/4")	27	29
	COVER	59	33	32-34395A1	HOSE, DRIP TRAY TO		
27-48164	GASKET, CARBURETOR				BOTTOM COWL (8")	35	5
	FLANGE	23	34	32-45327	HOSE	61	41
27-53862	GASKET, CRANKCASE TO			32-45959	HOSE	61	42
	CYLINDER BLOCK	27	2	32-54936	HOSE, BLEED (22")	27	26
27-55896	GASKET, DISTRIBUTOR CAP	9	24	32-60897	TUBE, WATER INLET	45	7
27-60476A75	GASKET SET	11	-	32-70432	FUEL LINE	25	25
27-60476A75	GASKET SET	23	-	32-70432	FUEL LINE	25	32
27-60476A75	GASKET SET	25	-	32-70432	FUEL LINE, ADAPTOR TO		
27-60476A75	GASKET SET	29	-		FUEL PUMP (6 3/4")	25	23
27-60476A75	GASKET SET	31	-	32-70432	PULSE LINE (3 1/4")	25	20
27-60476A75	GASKET SET	37	-	33-68057	SPARK PLUG (CHAMPION L-		
27-60476A75	GASKET SET	49	-		76V)	9	25
27-60476A75	GASKET SET	51	-	34-65312A1	REED SET, MATCHED -		
27-62362	GASKET	37	18		MAIN BEARING	31	19
27-64941	GASKET, TRANSFER PORT			34-65319	REED STOP, MAIN BEARING		
	COVER	29	31		REED VALVES	31	20

PARTS INDEX

Part Number	Description	Pg.	Ref. No.	Part Number	Description	Pg.	Ref. No.
35-57819	SCREEN ASSEMBLY, FILTER - CARBURETOR .	21	28	55-28416	PIN, UPPER SHOCK MOUNTING	41	16
35-59072	SCREEN, FILTER - INLET . .	25	8	55-58780A2	SHOCK ABSORBER	43	34
37-73291	DECAL, TIMING (FLYWHEEL)	3	17	84-60466A1	CABLE ASSEMBLY	13	6
37-78589A78	DECAL SET - SERIAL GROUP #1	1	-	84-63212A2	SPARK PLUG LEAD ASS'Y #1, #2, #3, #4, #5, AND #6	9	26
37-86431A79	DECAL SET - SERIAL GROUP #2	1	-	84-66008A1	WIRE, GROUND	15	40
39-78811A12	RING, PISTON	33	-	84-66054A2	CABLE ASSEMBLY, COIL TO SWITCH BOX	13	8
39-78816A12	RING, PISTON	31	25	84-69207A1	CABLE ASSEMBLY, CAP TO COIL	9	18
40-52035	LOCK RING, PISTON PIN . .	31	24	84-69236	WIRING HARNESS, INTERNAL	19	1
43-68447	FORWARD GEAR	51	56	84-69237	CABLE, WIRE - STARTER MOTOR TO SOLENOID . .	19	34
43-68548	GEAR, PINION - DRIVE SHAFT	47	9	84-74023	CONNECTOR AND HARNESS	55	18
43-76250	REVERSE GEAR	51	61	85-71006A1	PROTECTOR, SPARK PLUG LEAD	9	27
44-52542	SHAFT, PROPELLER	51	60	85-76199	INSULATOR, STOP BRACKET ADJUSTING SCREW	17	45B
45-69251	DRIVE SHAFT	47	8	89-68258	SOLENOID, STARTER	19	28
46-64141A1	WATER PUMP BODY ASSEMBLY	47	23	89-68258	STARTER SOLENOID	55	28
46-73804A1	WATER PUMP BASE ASSEMBLY	47	16	90-79200	MERC 140 PARTS LIST	1	-
46-73804A3	WATER PUMP REPAIR KIT .	49	-	92-25234--1	GLUE, ADHESIVE - BLANKET FASTENING	5	14
47-65960	IMPELLER, WATER PUMP .	47	27	92-27109--1	ADHESIVE COMPOUND, EMBLEM FASTENING	5	14
48-77338A4	PROPELLER ASSEMBLY (ALUMINUM)(PITCH 11") .	64	-	225-2494A30	FLYWHEEL ASSEMBLY, COMPLETE	7	4
48-77340A4	PROPELLER ASSEMBLY (ALUMINUM)(PITCH 13") .	64	-	225-2494A37	FLYWHEEL ASSEMBLY, COMPLETE	7	4
48-77342A4	PROPELLER ASSEMBLY (ALUMINUM)(PITCH 15") .	64	-	332-2854	BOOT, HIGH TENSION CABLE TO COIL	9	20
48-77344A4	PROPELLER ASSEMBLY (ALUMINUM)(PITCH 17") .	64	-	332-2986A21	SWITCH BOX ASSEMBLY . .	19	15
48-77346A4	PROPELLER ASSEMBLY (ALUMINUM)(PITCH 19") .	64	-	332-4895A2	IGNITION COIL ASSEMBLY	13	1
48-77348A4	PROPELLER ASSEMBLY (ALUMINUM)(PITCH 21") .	64	-	392-2529	SPRING SET, BRUSH TENSION	53	16
48-77350A4	PROPELLER ASSEMBLY (ALUMINUM)(PITCH 23") .	64	-	392-2618	CAN, VALVE BODY	53	3
50-72467	STARTER MOTOR ASSEMBLY	19	25	392-2623	WASHER, THRUST - ARMATURE	53	10
52-34239	RATCHET, SLIDING GEAR .	51	57	392-2936	VALVE BODY AND GEAR ASSEMBLY	53	2
53-26406	RING	9	12	392-2937	SEAL, RESERVOIR TO VALVE BODY AND GEAR	53	5
53-26933	RING, SNAP - OUTER RACE	31	11	392-2938	BOLT SET	53	17
53-29641	"E" RING, RETAINING - SHIFT SHAFT	49	40	392-2939	RESERVOIR ASSEMBLY . . .	53	6
53-73591	RETAINING RING, BOTTOM YOKE ATTACHING	39	16A	392-2940	PLATE ASSEMBLY, COMMUTATOR END	53	14
54-22627	CLIP	7	13	392-2941	BRUSH SET, COMMUTATOR END PLATE	53	15
54-22627	CLIP, FUEL LINE ATTACHING	25	26	392-2942	FIELD AND FRAME ASSEMBLY	53	12
54-24871	CLIP, STATOR LEAD FASTENING (5/8")	7	13	392-2943	ARMATURE, FIELD AND FRAME	53	11
54-26538	CLIP, STATOR LEADS TO BLOCK (1/8")	19	10	392-2944	BALL, COMMUTATOR END PLATE	53	13
54-60768	CLAMP, DISTRIBUTOR CAP TO DISTRIBUTOR HSG. . .	9	15	393-1293A1	BRUSH AND SPRING ASSEMBLY	9	22
54-68424	CLAMP, FUEL LINE ATTACHING	25	21				
54-76368	CLAMP, WIRING HARNESS TO BOTTOM COWL	19	3				

PARTS INDEX

Part Number	Description	Pg.	Ref. No.	Part Number	Description	Pg.	Ref. No.
393-3736A77	HOUSING ASSEMBLY, DISTRIBUTOR	9	4	1573-5239A4	DRIVE SHAFT HOUSING ASSEMBLY	45	1
393-3736A77	HOUSING ASSEMBLY, DISTRIBUTOR	15	1	1623-6053A5	GEAR HOUSING ASS'Y	47	1
393-4312	ROTOR, DISTRIBUTOR	9	14	1623-6053A5	GEAR HOUSING ASS'Y	51	1
393-4313	DISC, ROTOR	9	13	1655-7333A23	GEAR HOUSING ASS'Y	47	1
393-4841A2	DISTRIBUTOR CAP ASSEMBLY	9	22	1655-7333A23	GEAR HOUSING ASS'Y	51	1
398-4793	STATOR, ALTERNATOR ...	7	11	1655-7333A45	GEAR HOUSING ASS'Y, COMP. SEE NOTE BELOW	47	-
436-6646A2	CRANKSHAFT ASSEMBLY .	31	1	1655-7333A45	GEAR HOUSING ASS'Y, COMP. SEE NOTE BELOW	51	-
535-5397A4	CENTER MAIN BEARING ASSEMBLY	31	7	2113-5631A4	COWL FRONT COVER ASSEMBLY	5	1
540-5266A4	MAIN BEARING ASSEMBLY, VALVE TYPE	31	15	2114-5999	COWL, TOP (WITHOUT DECALS)	3	1
622-4850A3	CONNECTING ROD AND CAP ASSEMBLY	31	26	2115-662	COWL, BOTTOM	35	1
745-6637A3	PISTON AND PISTON PIN ASSEMBLY	31	23	2136-4660A4	WRAP AROUND COWL ASSEMBLY	5	11
745-6694A2	PISTON AND PISTON PIN ASSEMBLY	33	-	5353-	FLOAT ASSEMBLY	23	2
852-6687A1	CYLINDER BLOCK AND CRANKCASE ASSEMBLY	27	1				
852-6687A1	CYLINDER BLOCK AND CRANKCASE ASSEMBLY	29	1				
1023-5070	COVER, CYLINDER BLOCK .	29	23				
1134-3197A1	END CAP ASSEMBLY	29	2				
1148-5410A1	END CAP ASSEMBLY, LOWER	29	7				
1368-7250	CARBURETOR ASSEMBLY .	23	1				
1368-7250	CARBURETOR ASSEMBLY, COMPLETE	21	9				
1395-4540	SCREW, BODY (IDLE TUBE)	23	21				
1395-4541	SCREW, PLUG - MAIN FUEL JET CHANNEL	23	29				
1395-4542	SCREW, PLUG - MAIN NOZZLE	23	27				
1395-4543	SCREW, BODY CHANNEL ..	23	32				
1395-4804	SCREW, FLOAT BOWL COVER	23	14				
1395-4808	GASKET AND PACKING SET (1 PER CARBURETOR) ..	23	33				
1395-5666	SHUTTER, THROTTLE	23	22				
1395-5680	COVER, FLOAT BOWL	23	10				
1395-5733	JET, BOWL VENT	23	11				
1395-5734	HOSE, ECONOMIZER	23	12				
1395-7296	REPAIR PARTS KIT (1 PER CARBURETOR)	23	33				
1395-7297	INLET NEEDLE, SEAT AND GASKET	23	6				
1399-3518	JET, MAIN FUEL (.082)	23	28				
1399-3519	JET, MAIN FUEL (.080) - STANDARD	23	28				
1399-3520	JET, MAIN FUEL (.0785) ...	23	28				
1399-3527	SHAFT, THROTTLE	23	19				
1399-3796	JET, MAIN FUEL (.076)	23	28				
1399-97	LEVER, THROTTLE (SEE NOTE BELOW)	23	17				
1440-6625A3	CLAMP BRACKET ASSEMBLY	41	1				