



# PARTS CATALOG

## MERC 40

### SERIAL NUMBER

402, 40 (2 CYL.) .....	USA 4860103 THRU 5556229
402, 40 (2 CYL.) .....	CAN 7112423 THRU 7144762
402, 40 (2 CYL.) .....	AUS 8052125 THRU 8064749
402, 40 (2 CYL.) .....	BEL 9184451 THRU 9251455

# TABLE OF CONTENTS:

BOTTOM COWL AND EXHAUST PLATE ASSEMBLY .....	34
CARBURETOR ASSEMBLY .....	12
CARBURETOR CHOKE LINKAGE .....	10
CLAMP AND SWIVEL BRACKET ASSEMBLY .....	40
COWLING AND FRONT COVER .....	8
CRANKSHAFT, PISTON AND CONNECTING ROD ASSEMBLY .....	32
CYLINDER BLOCK AND COIL MOUNTING BRACKET .....	30
CYLINDER BLOCK AND CRANKCASE ASSEMBLY .....	26
DRIVE SHAFT HOUSING ASSEMBLY .....	36
FLYWHEEL, IGNITION COIL AND SWITCH BOX .....	14
FUEL PUMP ASSEMBLY AND FUEL LINES .....	24
GEAR HOUSING ASSEMBLY, COMPLETE (PAGE 1 OF 2) .....	44
GEAR HOUSING ASSEMBLY, COMPLETE (PAGE 2 OF 2) .....	48
MISCELLANEOUS PARTS/ACCESSORIES .....	1
PARTS INDEX .....	52
SERIAL GROUP CHART .....	2
SHIFT CONTROL LINKAGE .....	22
STARTER HOUSING .....	6
STARTER MOTOR, RECTIFIER AND WIRING HARNESS .....	16
THROTTLE CONTROL LINKAGE AND SPARK ADVANCE .....	20
TOP COWL ASSEMBLY .....	4

**NOTE:** Indented description indicate that these parts are included in preceding assembly.

**AR** = As Required

**NSS** = Not Sold Separate

**OPT** = Optional

**NS** = Not Shown

**NOTE:** Following symbols are located in **SYM** column.

● = ENCLOSED GEAR HOUSINGS INCLUDE  
ALL PARTS FROM REF. #1 - #76 AS ON  
GEAR HOUSING ASS'Y, COMPLETE.

■ = COMPONENT OF A-[27-78028A78]

■ = CONTENTS OF REPAIR PARTS KIT A-  
[1395-7292].

◇ = CONTENTS OF GASKET AND PACKING  
SET A-[1395-4808].

**THESE PARTS BOOKS/FICHE CARD ARE COPYRIGHTED AND MAY NOT BE DISTRIBUTED OR REPRODUCED IN ANY OTHER FORMAT BY ANYONE OTHER THAN MERCURY MARINE WITHOUT THE PRIOR WRITTEN CONSENT OF MERCURY MARINE.**

# MISCELLANEOUS PARTS/ACCESSORIES

REF. NO.	PART NO.	SYM.	QTY.	DESCRIPTION
-	90-79197		1	MERC 40 PARTS LIST
-	27-78028A78		1	GASKET SET
-	37-78591A78		1	DECAL SET-SERIAL GROUP #1
-	37-86419A79		1	DECAL SET -SERIAL GROUP #2

# SERIAL GROUP CHART

## SERIAL GROUP CHART

### SERIAL GROUP #1

United States . . . . . 5174088 and below  
Australia . . . . . 8052649 and below  
Belgium . . . . . 9214055 and below  
Canada . . . . . 7123912 and below

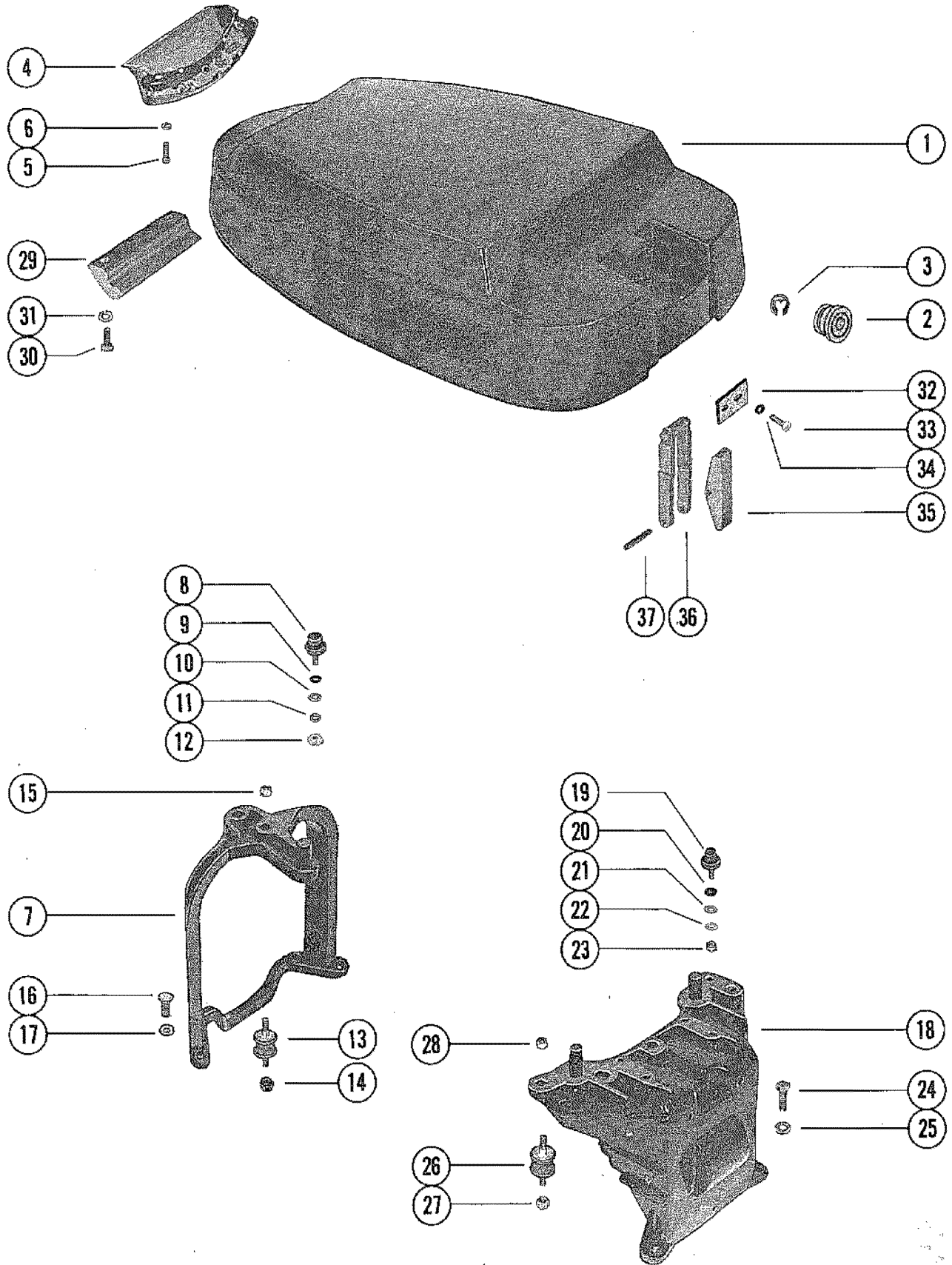
### SERIAL GROUP #2

United States . . . . . 5174089 and up  
Belgium . . . . . 9214056 and up  
Canada . . . . . 7123913 and up

# SERIAL GROUP CHART

THIS PAGE INTENTIONALLY LEFT BLANK

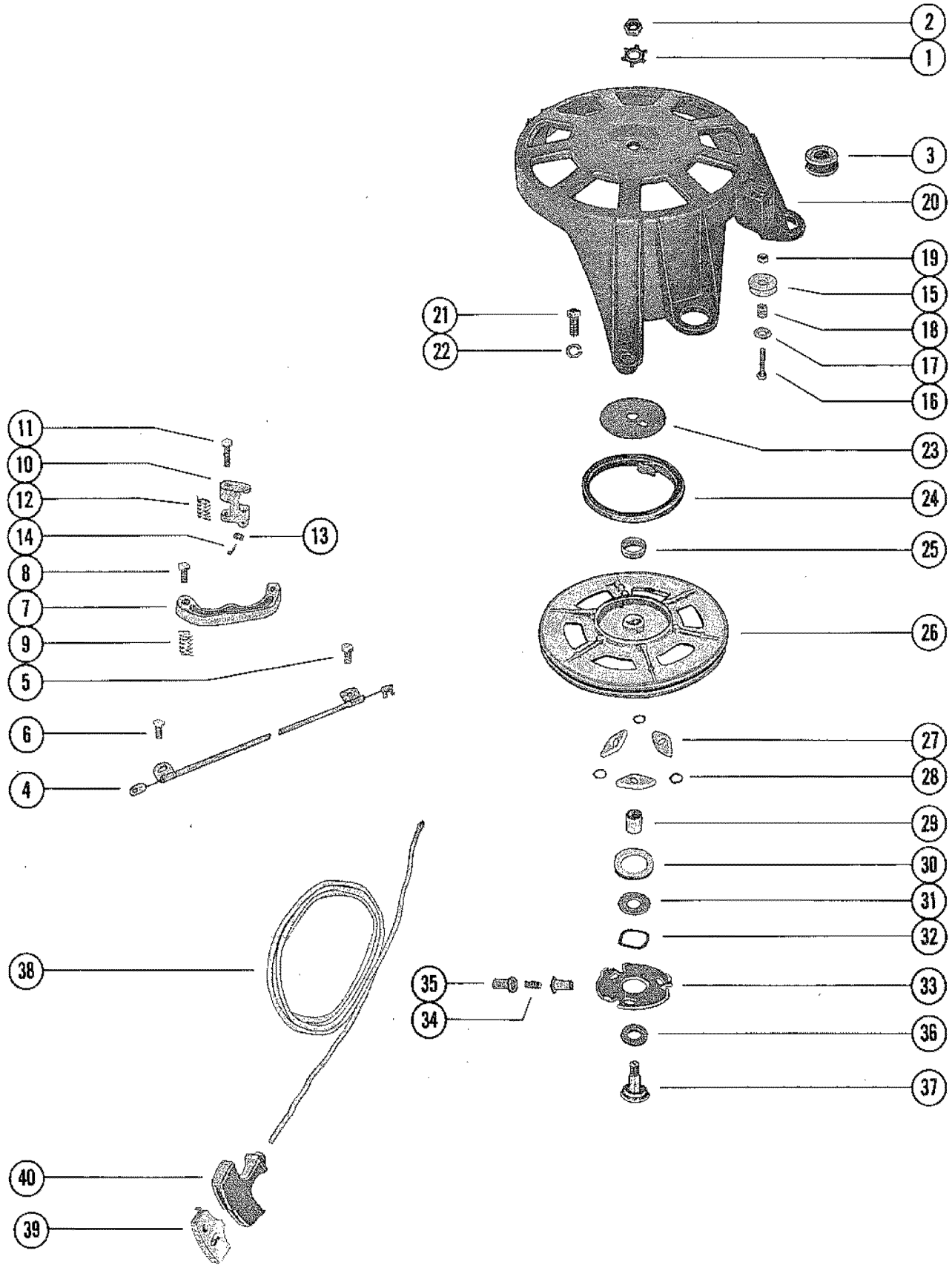
# TOP COWL ASSEMBLY



# TOP COWL ASSEMBLY

REF. NO.	PART NO.	SYM.	QTY.	DESCRIPTION
1	2138-6341		1	TOP COWL ASSEMBLY (ELECTRIC)
	2138-6340A2		1	TOP COWL ASSEMBLY (MANUAL)
2	73537		1	INSERT, ROPE GUIDE <b>SERIAL GROUP #1</b>
3	53-58656		1	RING, RETAINING - INSERT <b>SERIAL GROUP #1</b>
2	77859		1	GUIDE, STARTER ROPE <b>SERIAL GROUP #2</b>
3	77860		1	RING, RETAINING - GUIDE <b>SERAIL GROUP #2</b>
4	62236		1	SHEILD, REAR - TOP COWL
5	10-20646		3	SCREW, REAR SHIEL TO TOP COWL (5/8")
6	12-26014		3	WASHER, REAR SHIELD SCREW
7	76132		1	BRACKET, SUPPORT - TOP COWL (REAR)
8	60577		2	MOUNT, RUBBER - REAR SUPPORT BRACKET
9	12-26014		2	WASHER, RUBBER MOUNT
10	12-21631		AR	WASHER, RUBBER MOUNT
11	13-26992		2	LOCKWASHER, RUBBER MOUNT
12	11-36069		2	NUT, RUBBER MOUNT
13	39501		1	MOUNT, RUBBER - REAR SUPPORT BRACKET
14	11-36069		1	NUT, RUBBER MOUNT TO CYLINDER BLOCK COVER <b>LOWER</b>
15	11-36069		1	NUT, RUBBER MOUNT TO REAR SUPPORT BRACKET <b>UPPER</b>
16	10-37562		4	SCREW,REAR SUPPORT BRACKET TO BOTTOM COWL (1")
17	13-26993		4	LOCKWASHER, REAR SUPPORT BRACKET SCREW
18	76133		1	BRACKET, SUPPORT - TOP COWL (FRONT)
19	31014		2	MOUNT, RUBBER - FRONT SUPPORT BRACKET
20	12-26014		2	WASHER, RUBBER MOUNT
21	12-21631		AR	WASHER, RUBBER MOUNT
22	13-26992		2	LOCKWASHER, RUBBER MOUNT
23	11-36069		2	NUT, RUBBER MOUNT
24	10-37562		2	SCREW <b>FRONT SUPPORT BRACKET TO BOTTOM COWL (1")</b>
25	13-26993		2	LOCKWASHER, FRONT SUPPORT BRACKET SCREW
26	39501		2	MOUNT, RUBBER - FRONT SUPPORT BRACKET
27	11-36069		2	NUT, RUBBER MOUNT TO CRANKCASE (LOWER)
28	11-36069		2	NUT, RUBBER MOUNT TO FRONT SUPPORT BRACKET <b>UPPER</b>
29	55455		1	HOOK, TOP COWL LATCH - REAR
30	10-22956		2	SCREW, REAR HOOK TO TOP COWL (7/8")
31	13-26992		2	LOCKWASHER, REAR HOOK SCREW
32	75973		1	PLATE, HINGE
33	10-32228		2	SCREW, HINGE PLATE (5/8")
34	13-26996		2	LOCKWASHER, HINGE PLATE SCREW
35	52737		1	LEVER, COWL LATCH
36	52739		1	HINGE, COWL LATCH LEVER
37	17-58998		1	ROLL PIN, HINGE TO LEVER

# STARTER HOUSING

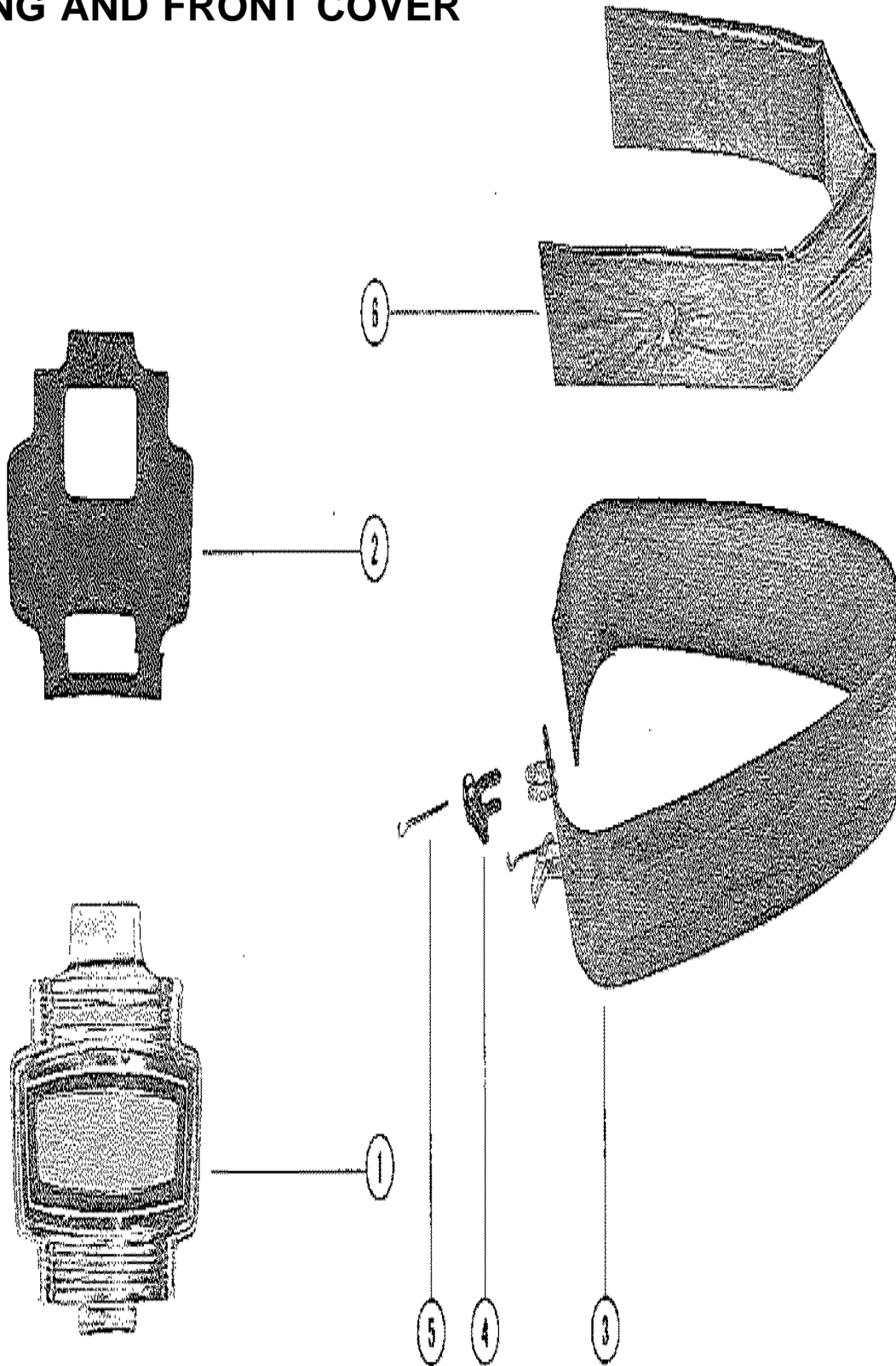




# STARTER HOUSING

REF. NO.	PART NO.	SYM.	QTY.	DESCRIPTION
1	14-61004		1	TAB, WASHER, SHEAVE SHAFT NUT
2	11-20166		1	NUT, SHEAVE SHAFT (LEFT HAND THREAD)
3	25-39597		2	GROMMET, STARTER HOUSING
4	76141		1	CALBE ASSEMBLY, INTERLOCK <b>MANUAL</b>
5	10-32228		1	SCREW, CABLE TO EXHAUST PLATE (5/8") <b>MANUAL</b>
6	10-69022		1	SCREW, CABLE TO STARTER HOUSING (1/2") <b>MANUAL</b>
7	85188		1	CAM, INTERLOCK <b>MANUAL</b>
8	10-76138		1	SCREW, INTERLOCK CAM ATTACHING (1 1/8") <b>MANUAL</b>
9	24-76140		1	SPRING, INTERLOCK CAM SCREW <b>MANUAL</b>
10	79371		1	ACTUATOR, INTERLOCK <b>MANUAL</b>
11	10-76137		1	SCREW, INTERLOCK ACTUATOR ATTACHING (1 5/8") <b>MANUAL</b>
12	24-76139		1	SPRING, INTERLOCK ACTUATOR SCREW <b>MANUAL</b>
13	12-30191		1	WSHER, INTERLOCK CABLE <b>MANUAL</b>
14	18-27769		1	COTTER PIN, INTERLOCK CABLE TO ACTUATOR <b>MANUAL</b>
15	55860		1	PULLEY, STARTER SCREW
16	10-45210		1	SCREW, PULLEY TO STARTER HOUSING (1 1/4")
17	12-22887		2	WASHER, PULLEY SCREW
18	23-30977		1	SPACER, PULLEY SCREW
19	11-24656		1	NUT, PULLEY SCREW
20	76080A1		1	HOUSING, STARTER
21	10-37562		2	SCREW, STARTER HOUSING TO CRANKCASE (1")
22	13-37562		2	LOCKWASHER, STARTER HOUSING SCREW
23	61002		1	RETAINER, STARTER REWIND
24	24-39502A1		1	SPRING, STARTER REWIND
25	23-63100		1	BUSHING, SPRING GUIDE
26	76053A1		1	STARTER SHEAVE ASSEMBLY
27	30596		3	PAWL, STARTER
28	13-36206		3	WASHER, WAVE - STARTER PAWL
29	23-63061		1	SPACER, SHEAVE SHAFT
30	39840		1	RETAINER, WAVE WASHER
31	12-57837		1	WASHER, WAVE WASHER RETAINER
32	12-57837		1	WASHER, WAVE - RETAINER TENSION
33	66845		1	PLATE, RETAINER - STARTER PAWL
34	24-66853		1	SPRING, RETAINER TO STARTER SHEAVE
35	66848		2	RETAINER, SPRING
36	12-57860		1	WASHER, SHEAVE SHAFT
37	61003		1	SHAFT, SHEAVE
38	50-28985A1		1	STARTER ROPE ASSEMBLY
	47341A1		1	STARTER ROPE ASSEMBLY <b>FOR MANUAL STARTING</b>
39	77997A1		1	RETAINER, STARTER ROPE <b>SERIAL GROUP #1</b>
40	77998		1	HANDLE, STARTER ROPE <b>SERIAL GROUP #1</b>
39&40	79470A1		1	RETAINER ASSEMBLY, STARTER ROPE <b>SERIAL GROUP #2</b>

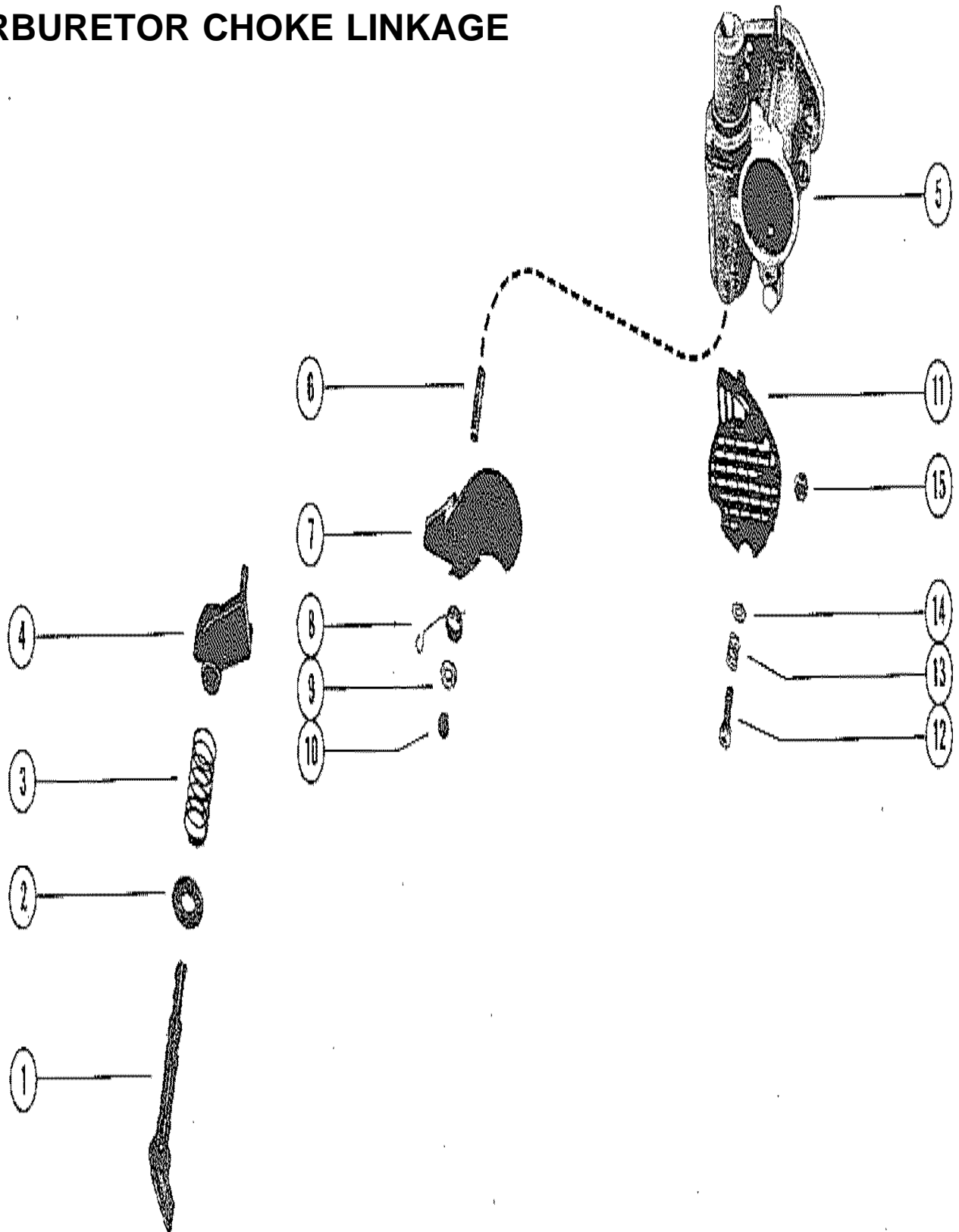
# COWLING AND FRONT COVER



## COWLING AND FRONT COVER

REF. NO.	PART NO.	SYM.	QTY.	DESCRIPTION
1	2161-6347A6		1	COWL FRONT COVER ASSEMBLY <b>WITHOUT DECALS</b>
2	76450		1	BLANKET, COWL FRONT COVER
3	2137-3878A6		1	WRAP AROUND COWL ASSEMBLY <b>WITHOUT DECALS</b>
4	46785A1		2	COWL LATCH ASSEMBLY
5	30413		2	HOOK, COWL LATCH FASTENING
6	76259		1	BLANKET, SOUND ABSORBING <b>WRAP AROUND COWL</b>
-	<b>93-25234--1</b>		<b>1</b>	<b>GLUE, ADHESIVE - BLANKET FASTENING</b>

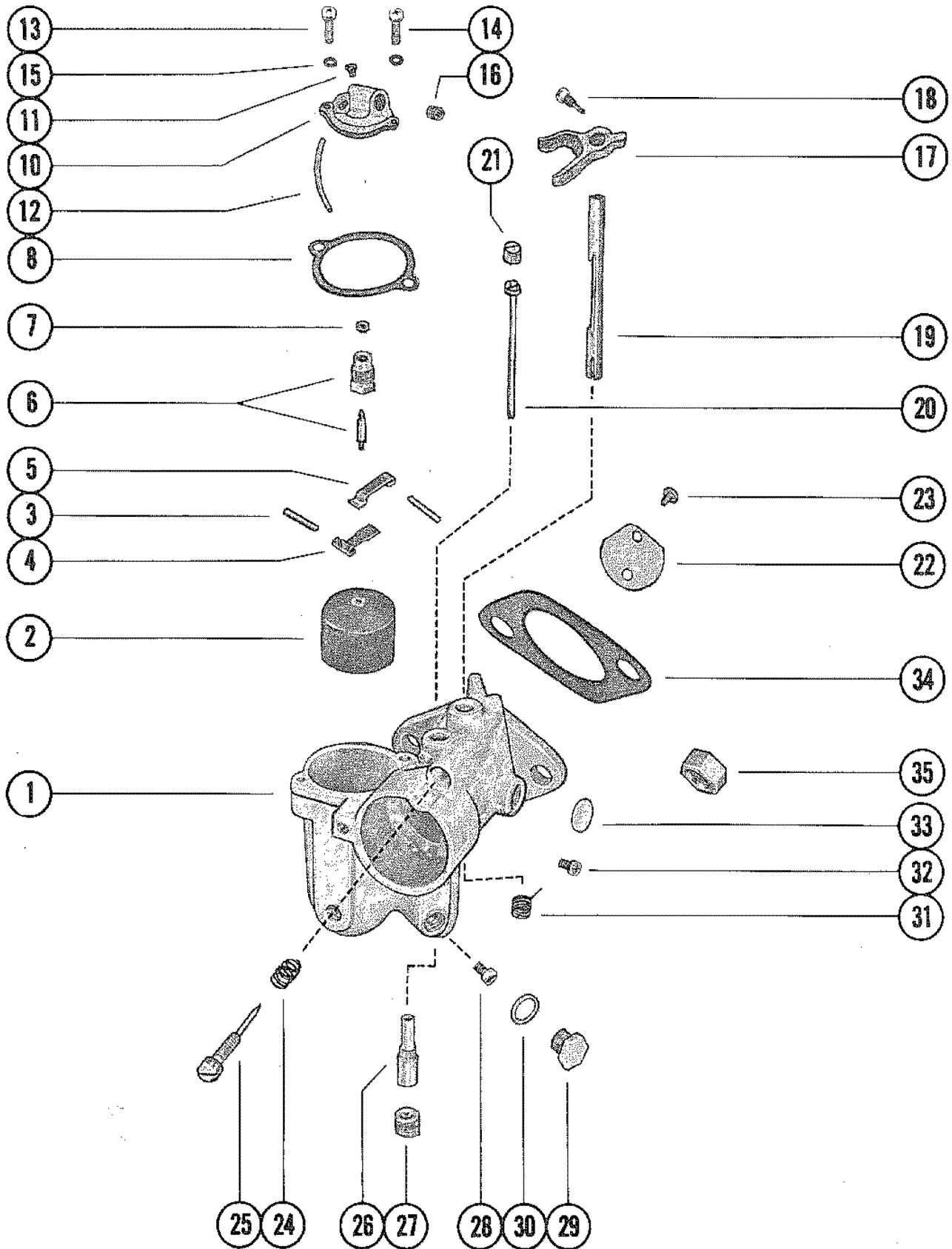
# CARBURETOR CHOKE LINKAGE



## CARBURETOR CHOKE LINKAGE

REF. NO.	PART NO.	SYM.	QTY.	DESCRIPTION
1	47969		1	KNOB AND SHAFT, CHOKE
2	12-30314		1	WASHER, CHOKE SHAFT
3	24-47968		1	SPRING, COMPRESSION - CHOKE SHAFT
4	55180		1	LEVER, CHOKE
5	1368-7226A1		1	<b>CARBURETOR ASSEMBLY SEE CARBURETOR ASSEMBLY PAGES FOR BREAKDOWN</b>
6	16-69016		1	STUD, CHOKE SHUTTER PIVOT (CARBURETOR)
7	55179		1	SHUTTER, CHOKE - CARBURETOR
8	24-55163		1	SPRING, TENSION - CHOKE SHUTTER
9	12-47960		1	WASHER, CHOKE SHUTTER CARBURETOR STUD
10	11-20110		1	NUT, CHOKE SHUTTER TO CARBURETOR STUD
11	35-57819		1	SCREEN, CARBURETOR
12	10-58185		1	SCREW, SCREEN TO CARBURETOR (1")
13	24-57818		1	SPRING, TENSION - SCREEN SCREW
14	12-46101		1	WASHER, SCREEN SCREW
15	11-20110		1	NUT, SCREEN SCREW

# CARBURETOR ASSEMBLY



# CARBURETOR ASSEMBLY

REF. NO.	PART NO.	SYM.	QTY.	DESCRIPTION
1	1368-7226A1		1	CARBURETOR ASSEMBLY
2	1395-5353		1	FLOAT ASSEMBLY
3		■	2	PIN, FLOAT LEVER PINION
4		■	1	LEVER, FLOAT (LOWER)
5		■	1	LEVER, FLOAT (UPPER)
6	1395-4555		1	INLET NEEDLE, SEAT AND GASKET
7		■◇	1	GASKET, INLET SEAT
8		■◇	1	GASKET, FLOAT BOWL COVER
10	1395-5680		1	COVER, FLOAT BOWL
11	1395-5733		1	JET, BOWL VENT (.092)
12	1395-5734		1	HOSE, ECONOMIZER
13	10-52195		1	SCREW, FLOAT BOWL COVER
14	1395-4804		1	SCREW, FLOAT BOWL COVER
15	13-26995		2	LOCKWASHER, FLOAT BOWL COVER SCREW
16	1395-4805	■	1	SCREEN, FILTER
17	74371		1	LEVER, THROTTLE
18	10-20847	■	1	SCREW, THROTTLE STOP LEVER
19	1399-3527		1	SHAFT, THROTTLE
20		■	1	TUBE, IDLE
21	1395-4540		1	SCREW, BODY (IDLE TUBE)
22	1399-3528		1	SHUTTER, THROTTLE
23		■	2	SCREW AND LOCKWASHER, THROTTE SHUTTER
24		■	1	SPRING, IDLE ADJUSTMENT SCREW
25	1399-3515		1	SCREW, IDLE ADJUSTMENT
26		■	1	NOZZLE, MAIN
27	1395-4542		1	SCREW, PLUG - MAIN NOZZLE
28	1399-3519		OPT	JET, MAIN FUEL (.080)
	1399-3520	■	1	JET, MAIN FUEL (.0785) - STANDARD
	1399-3796		OPT	JET, MAIN FUEL (.076)
	1399-3794		OPT	JET, MAIN FUEL (.074)
29	1395-4541		1	SCREW, PLUG - MAIN FUEL JET CHANNEL
30		■◇	1	GASKET, JET CHANNEL PLUG SCREW
31		■	1	SPRING, THROTTLE SHAFT RETURN
32	1395-4543		1	SCREW, BODY CHANNEL
33		■	1	WELCH PLUG, BODY CHANNEL
	1395-4808	■	1	GASKET AND PACKING SET (1 PER CARBURETOR)
	1395-7292		1	REPAIR PARTS KIT (1PER CARBURETOR)
34	27-48164	■◇■	1	GASKET, CARBURETOR FLANGE
35	11-64809		2	NUT, CARBURETOR MOUNTING STUD

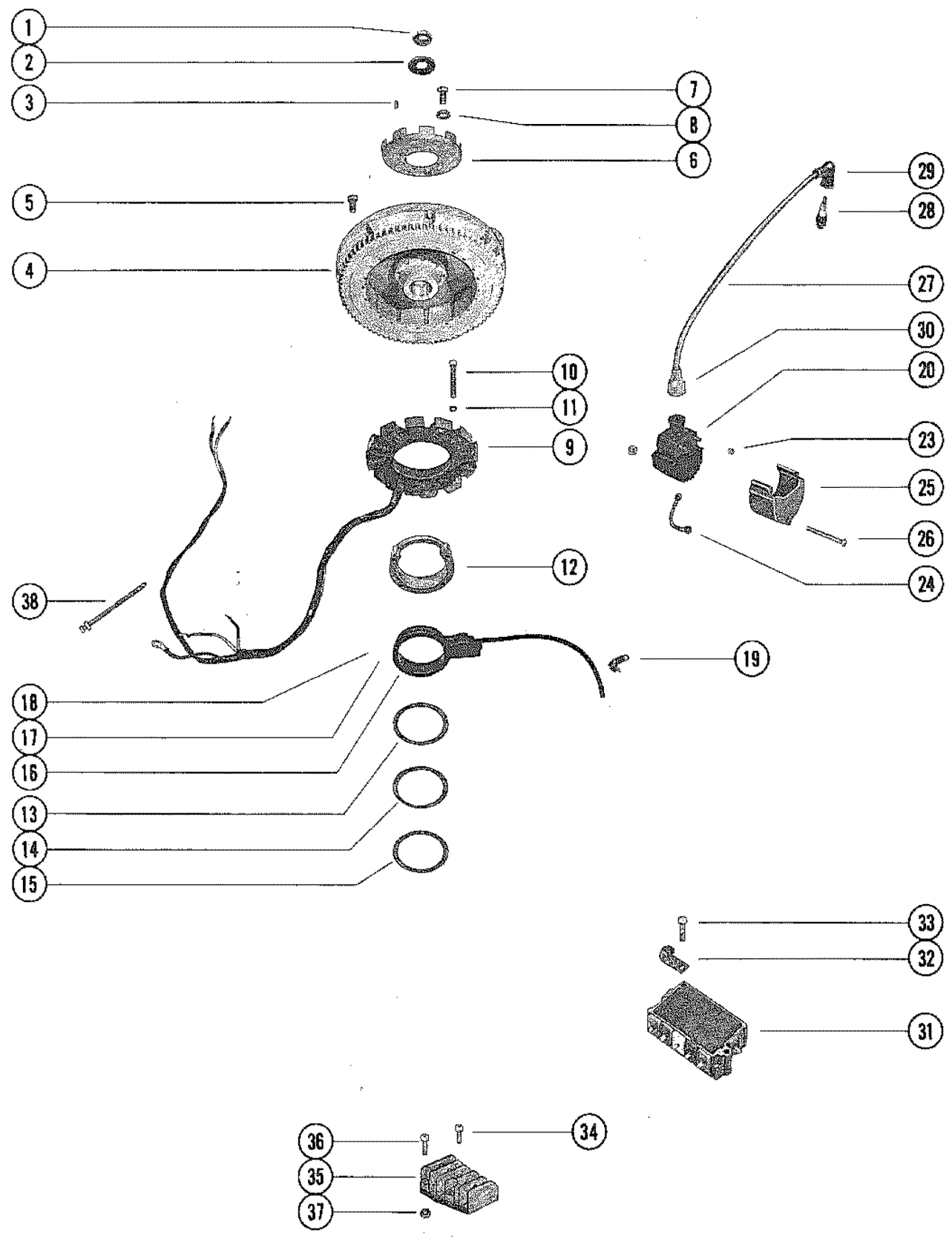
FOR PLASTIC VENTURI, ORDER A-[52106A1].

■ = COMPONENT OF A-[27-78028A78]

■ = CONTENTS OF REPAIR PARTS KIT A-[1395-7292].

◇ = CONTENTS OF GASKET AND PACKING SET A-[1395-4808].

# FLYWHEEL, IGNITION COIL AND SWITCH BOX

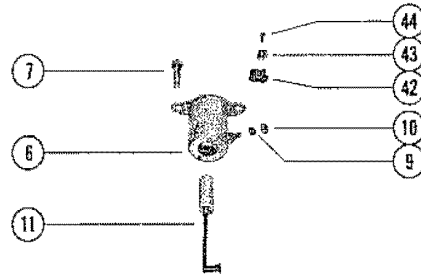
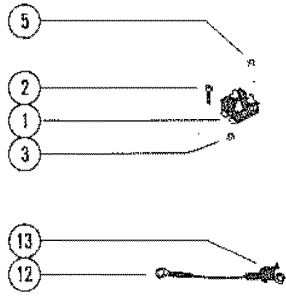




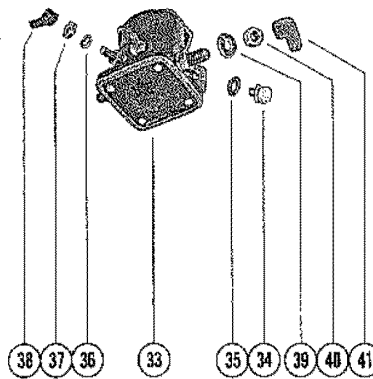
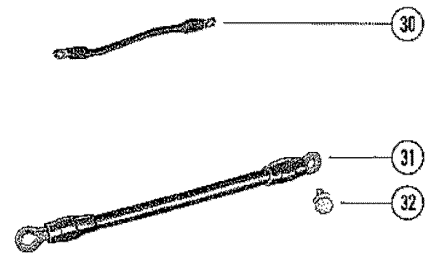
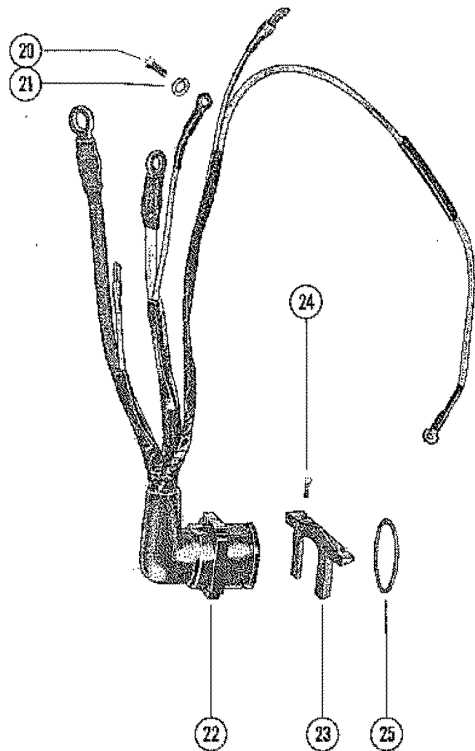
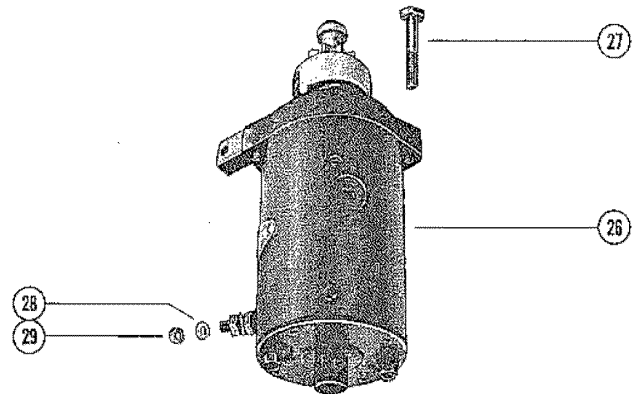
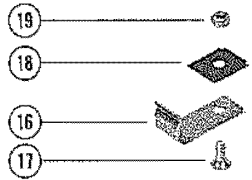
# FLYWHEEL, IGNITION COIL AND SWITCH BOX

REF. NO.	PART NO.	SYM.	QTY.	DESCRIPTION
1	11-22339		1	NUT, FLYWHEEL
2	12-36258		1	WASHER, FLYWHEEL NUT
3	28-45554		1	KEY, FLYWHEEL DRIVE
4	242-4764A16		1	FLYWHEEL ASSEMBLY (MANUAL) <b>SERIAL GROUP #1</b>
	242-4764A15		1	FLYWHEEL ASSEMBLY (ELECTRIC) <b>SERIAL GROUP #1</b>
	242-4764A26		1	FLYWHEEL ASSEMBLY (MANUAL) <b>SERIAL GROUP #2</b>
	242-4764A25		1	FLYWHEEL ASSEMBLY (ELECTRIC) <b>SERIAL CROUP #2</b>
5	10-32417		8	SCREW, FLEXIBLE PLATE TO FLYWHEEL (9/16")
6	50-65213		1	RATCHET, FLYWHEEL <b>MANUAL</b>
7	10-38398		8	SCREW, RATCHET TO FLYWHEEL (7/8") <b>MANUAL</b>
8	13-20202		2	LOCKWASHER, RATCHET SCREW <b>MANUAL</b>
9	398-5256		1	STATOR, IGNITION (MANUAL)
	398-5255		1	STATOR, ALTERNATOR <b>ELECTRIC</b>
10	10-56787		4	SCREW, STATOR TO UPPER END CAP (2")
11	13-26996		4	LOCKWASHER, STATOR SCREW
12	61830		1	STATOR SUPPORT
13	12-62133		1	WASHER, TRIGGER TO STATOR SUPPORT <b>UPPER</b>
14	13-61983		1	WASHER, WAVE - TRIGGER TO STATOR SUPPORT <b>CENTER</b>
15	12-61982		1	WASHER, TRIGGER TO STATOR SUPPORT (LOWER)
16	338-4731A6		1	TRIGGER PLATE ASSEMBLY
17	24-62095		1	SPRING, COMPRESSION
18	17-62768		1	PIN, SPRING RETENTION
19	54-54457		1	"J" CLIP, TRIGGER LEADS TO RUBBER SUPPORT <b>MOUNT</b>
20	339-5748A2		2	IGNITION COIL ASSEMBLY, COMPLETE
23	11-45076		4	NUT, COIL TERMINALS
24	84-60466A1		2	GROUND WIRE <b>COIL GROUND TO COIL COVER SCREW</b>
25	76254		2	COVER, IGNITION COIL
26	10-69002		2	SCREW, COIL COVER TO COIL BRACKET (1 3/4")
	10-60194		4	SCREW, COIL COVER TO COIL BRACKET (2 1/8")
27	84-63212A2		2	LED ASSEMBLY, SPARK PLUG (HIGH TENSION)
28	33-57451		2	SPARK PLUG (AC#V-R0FFM) <b>FOR CANADA AND BELGIUM, USE C-33-68098 (CHAMPION #QL-76V)</b>
29	85-71006A1		2	PROTECTOR ASSEMBLY, SPARK PLUG
30	332-2854		2	BOOT, LEAD TO IGNITION COIL
31	332-4911A5		1	SWITCH BOX ASSEMBLY, COMPLETE
32	54-54457		2	"J" CLIP, SWITCH BOX LEADS
33	10-69067		2	SCREW, SWITCH BOX AND "J" CLIP TO BRACKET
34	10-45218		6	SCREW, TERMINAL BLOCK AND SWITCH BOX (3/8")
35	86-66754		1	TERMINAL BLOCK, SWITCH BOX LEAD
36	10-20646		2	SCREW, TERMINAL BLOCK ATTACHING
37	11-20190		2	NUT, TERMINAL BLOCK ATTACHING SCREWS
38	61990		1	STA-STRAP, STATOR LEADS

# STARTER MOTOR, RECTIFIER AND WIRING HARNESS



**ELECTRIC ONLY**

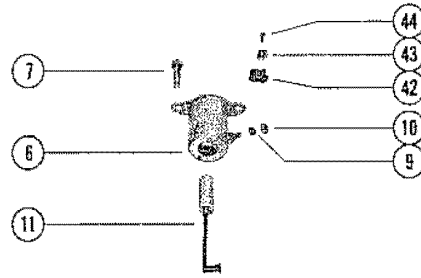
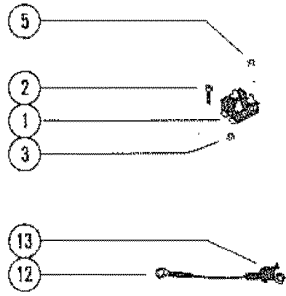


# STARTER MOTOR, RECTIFIER AND WIRING HARNESS

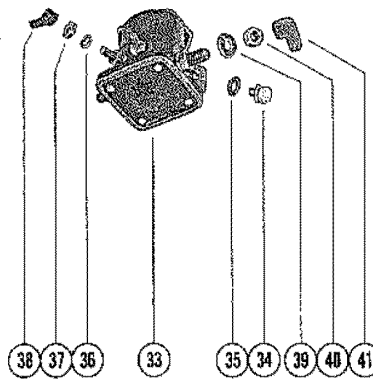
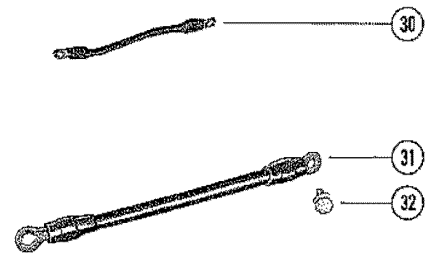
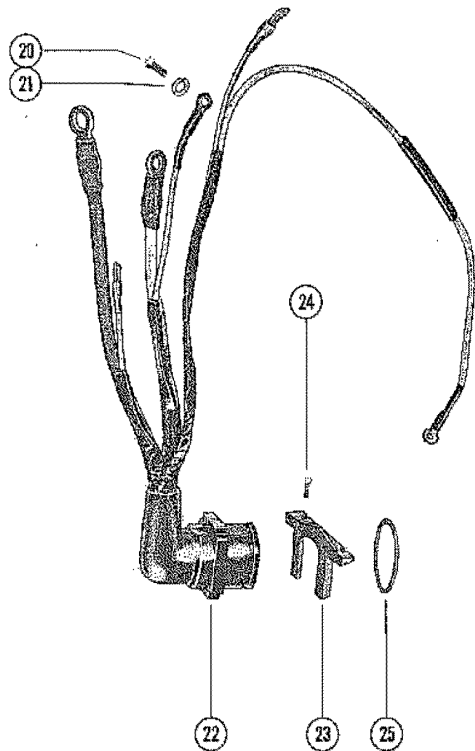
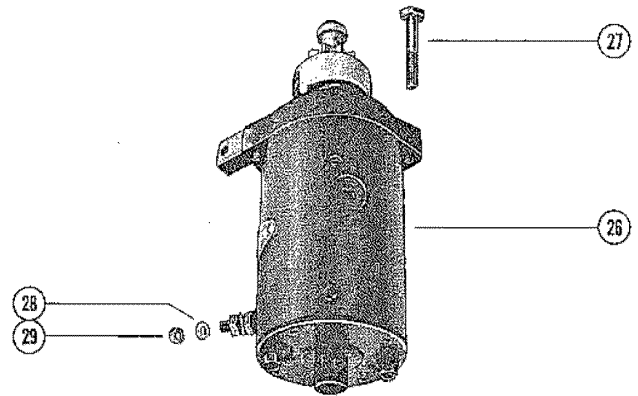
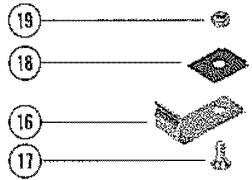
REF. NO.	PART NO.	SYM.	QTY.	DESCRIPTION
1	62351A1		1	RECTIFIER ASSEMBLY
2	10-25764		2	SCREW, RECTIFIER TO FRONT SUPPORT BRACKET (1/2")
3	11-73231		2	NUT, RECTIFIER FASTENING SCREW
5	11-45076		3	NUT, RECTIFIER TERMINAL (10-32)
6	54293A5		1	CHOKE SOLENOID ASSEMBLY
7	10-25299		2	SCREW <b>CHOKE SOLENOID FRONT SUPPORT BRACKET (3/4")</b>
9	13-26996		1	LOCKWASHER, CHOKE SOLENOID TERMINAL
10	11-45076		1	NUT, CHOKE SOLENOID TERMINAL
11	56074A2		1	PLUNGER ASSEMBLY, CHOKE SOLENOID
12	84-61393A1		1	LEAD ASSEMBLY <b>RECTIFIER TO STARTER SOLENOID (4 7/8")</b>
13	85-62453		1	BOOT, LEAD WIRE
14	19-35827		1	PLUG, BOTTOM COWL <b>PART OF BOTTOM COWL ASSEMBLY</b>
15	53-30428		1	FASTENER, PLUG TO BOTTOM COWL <b>PART OF BOTTOM COWL ASSEMBLY</b>
16	34228		1	SUPPORT, EXTERNAL WIRING HARNESS
17	10-67917		1	SCREW, SUPPORT TO BOTTOM COWL (5/8")
18	52907		1	INSULATOR, SUPPORT TO BOTTOM COWL
19	11-35888		1	NUT, SUPPORT FASTENING SCREW
20	10-69052		1	SCREW <b>WIRING HARNESS GROUND TO BOTTOM COWL (1/2")</b>
21	13-24669		1	LOCKWASHER, WIRING HARNESS GROUND SCREW
22	84-73826		1	WIRING HARNESS (INTERNAL)
23	54-76368		1	CLAMP, WIRING HARNESS ATTACHING
24	10-69013		2	SCREW <b>WIRING HARNESS CLAMP TO BOTTOM COWL (7/8")</b>
25	24-28975		1	SPRING, GARTER - INTERNAL WIRING HARNESS
26	50-55601A2		1	STARTER MOTOR ASSEMBLY
27	10-35213		2	SCREW, STARTER MOTOR TO CRANKCASE (1 5/8")
28	13-26993		1	LOCKWASHER, CABLE TO STARTER MOTOR NUT
29	11-20890		1	NUT, CABLE TO STARTER MOTOR
30	56466		1	CABLE, STARTER MOTOR TO STARTER SOLENOID ( <b>YELLOW</b> )
31	32107		1	GROUND WIRE <b>STARTER MOTOR TO FRONT SUPPORT BRACKET</b>
32	10-69035		1	SCREW, GROUND WIRE TO STARTER MOTOR (5/8")
33	25661		1	SOLENOID, STARTER
34	10-69028		2	SCREW, STARTER SOLENOID TO FRONT <b>SUPPORT BRACKET (3/4")</b>
35	13-26992		2	WASHER, STARTER SOLENOID SCREW
36	13-26996		2	LOCKWASHER, STARTER SOLENOID TERMINAL ( <b>#10</b> )
37	11-68219		2	NUT, STARTER SOLENOID TERMINAL ( <b>#10</b> )
38	38938		2	BOOT, RUBBER - STARTER SOLENOID TERMINAL ( <b>SMALL</b> )
39	13-26993		2	LOCKWASHER, STARTER SOLENOID TERMINAL ( <b>5/16"</b> )

CONTINUED ON NEXT PAGE ➡

# STARTER MOTOR, RECTIFIER AND WIRING HARNESS



**ELECTRIC ONLY**

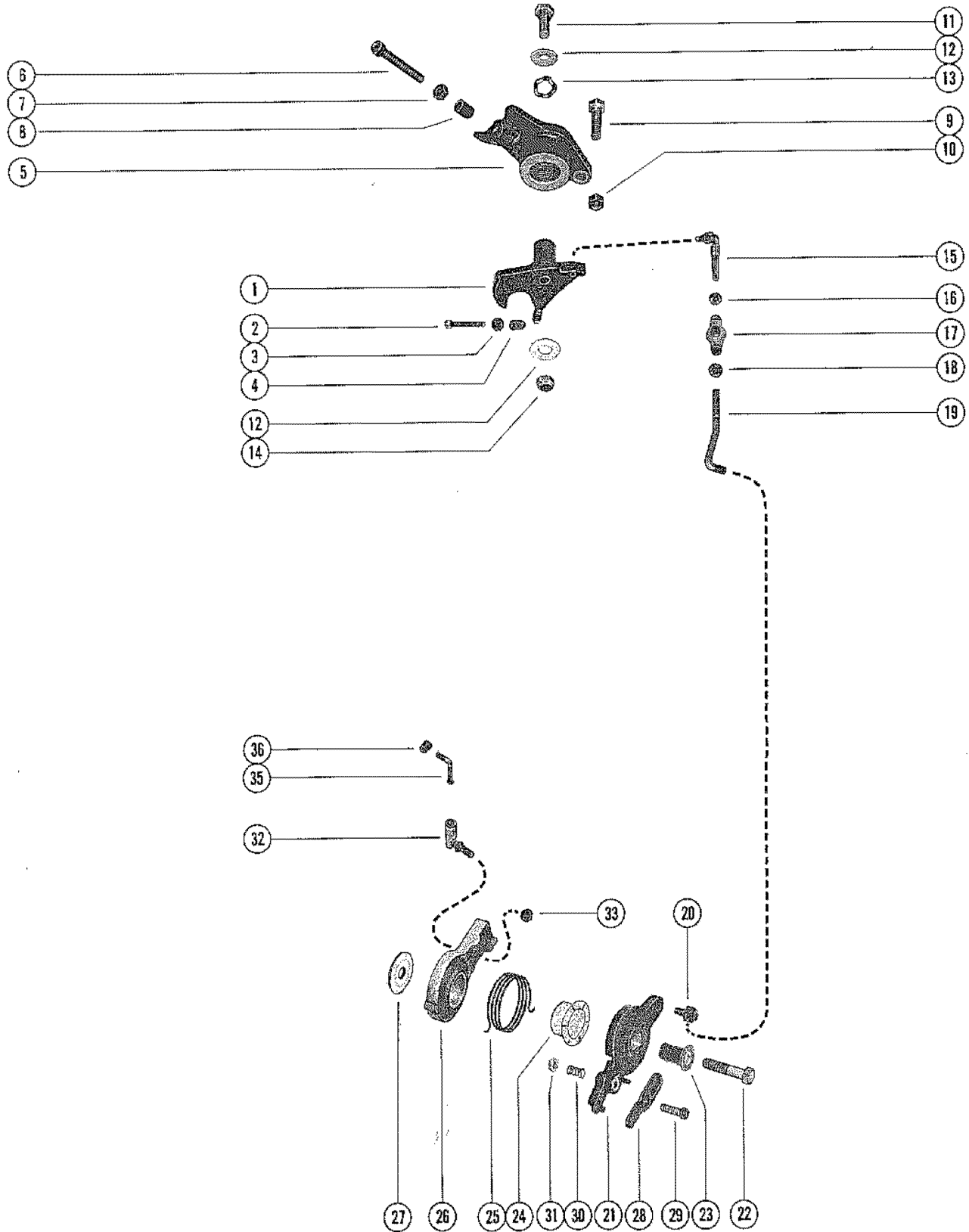


# STARTER MOTOR, RECTIFIER AND WIRING HARNESS

REF. NO.	PART NO.	SYM.	QTY.	DESCRIPTION
40	11-20083		2	NUT, STARTER SOLENOID TERMINAL (5/16")
41	46265		1	BOOT, RUBBER - STARTER SOLENOID TERMINAL ( <b>LARGE</b> )
42	54-24871		1	CLAMP, CHOKE SOLENOID LEAD WIRE
43	22789		1	"C" WASHER, LEAD WIRE CLAMP
44	10-62568		1	SCREW, CLAMP ATTACHING (3/8")

ELECTRIC ONLY

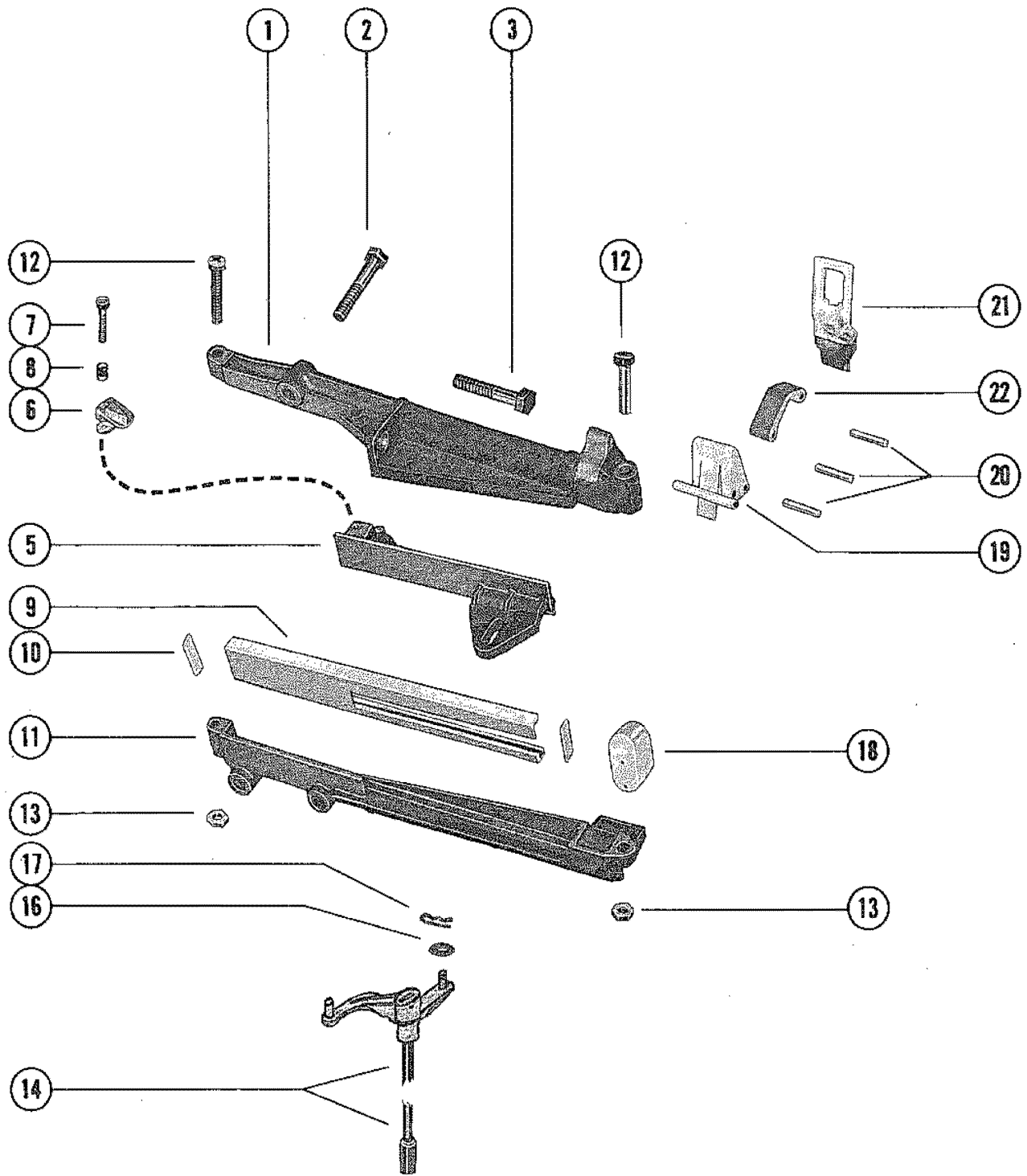
# THROTTLE CONTROL LINKAGE AND SPARK ADVANCE



# THROTTLE CONTROL LINKAGE AND SPARK ADVANCE

REF. NO.	PART NO.	SYM.	QTY.	DESCRIPTION
1	63123		1	THROTTLE CAM ACTUATOR
2	10-63102		1	SCREW, ADJUSTING - THROTTLE CAM
3	11-64015		1	NUT, JAM - ADJUSTING SCREW
4	26852		1	CAP, NYLON - ADJUSTING SCREW
5	39522		1	BRACKET, THROTTLE CONTROL SHAFT <b>(NOT AS SHOWN)</b>
6	10-64021		1	SCREW, ADJUSTING - THROTTLE CONTROL BRACKET <b>(1 7/8")</b>
7	11-64015		1	NUT, JAM - ADJUSTING SCREW
8	26852		1	CAP, NYLON - ADJUSTING SCREW
9	10-20639		2	SCREW, THROTTLE CONTROL BRACKET <b>(1 1/8")</b>
10	11-46793		2	NUT, THROTTLE CONTROL BRACKET SCREW
11	10-69047		1	SCREW <b>THROTTLE CONTROL BRACKET TO THROTTLE CAM (2 3/8")</b>
12	12-25893		2	WASHER <b>THROTTLE CONTROL BRACKET TO THROTTLE CAM SCREW</b>
13	13-62172		1	WAVE WASHER <b>THROTTLE BRACKET/THROTTLE CAM SCREW</b>
14	11-46793		1	NUT <b>THROTTLE CONTROL BRACKET TO THROTTLE CAM SCREW</b>
15	62171		1	BALL JOINT, THROTTLE CAM
16	11-20013		1	NUT, JAM - BALL JOINT TO TURNBUCKLE
17	62174		1	TURNBUCKLE, SPARK ADVANCE LINKAGE
18	11-20754		1	NUT, JAM - UPPER LINK ROD TO TURNBUCKLE
19	62173		1	ROD, LINK - UPPER
20	57440		1	SWIVEL, UPPER LINK ROD <b>THROTTLE CONTROL LEVER</b>
21	55187		1	LEVER, THROTTLE CONTROL
22	10-55337		1	SCREW <b>THROTTLE CONTROL LEVER TO CYLINDER BLOCK (1 3/4")</b>
23	23-55164		1	BUSHING, THROTTLE CONTROL LEVER SCREW
24	23-55171		1	BUSHING, THROTTLE CONTROL LEVER SCREW
25	24-55162		1	SPRING, RETURN - SPARK ADVANCE LEVER
26	61831		1	LEVER, SPARK ADVANCE
27	12-68410		1	WASHER, THROTTLE CONTROL LEVER SCREW
28	39483		1	LATCH, THROTTLE CONTROL LEVER <b>(THROTTLE CABLE)</b>
29	10-22486		1	SCREW, LATCH TO THROTTLE CONTROL LEVER <b>(7/8")</b>
30	24-20099		1	SPRING, COMPRESSION - LATCH SCREW
31	11-20586		1	NUT, LATCH SCREW
32	62459		1	BALL JOINT, SPARK ADVANCE LEVER
33	11-46438		1	NUT, BALL JOINT TO SPARK ADVANCE LEVER
35	61940		1	LINK ROD
36	61939		1	PIVOT, TREADED - TRIGGER PLATE TO LINK ROD

# SHIFT CONTROL LINKAGE

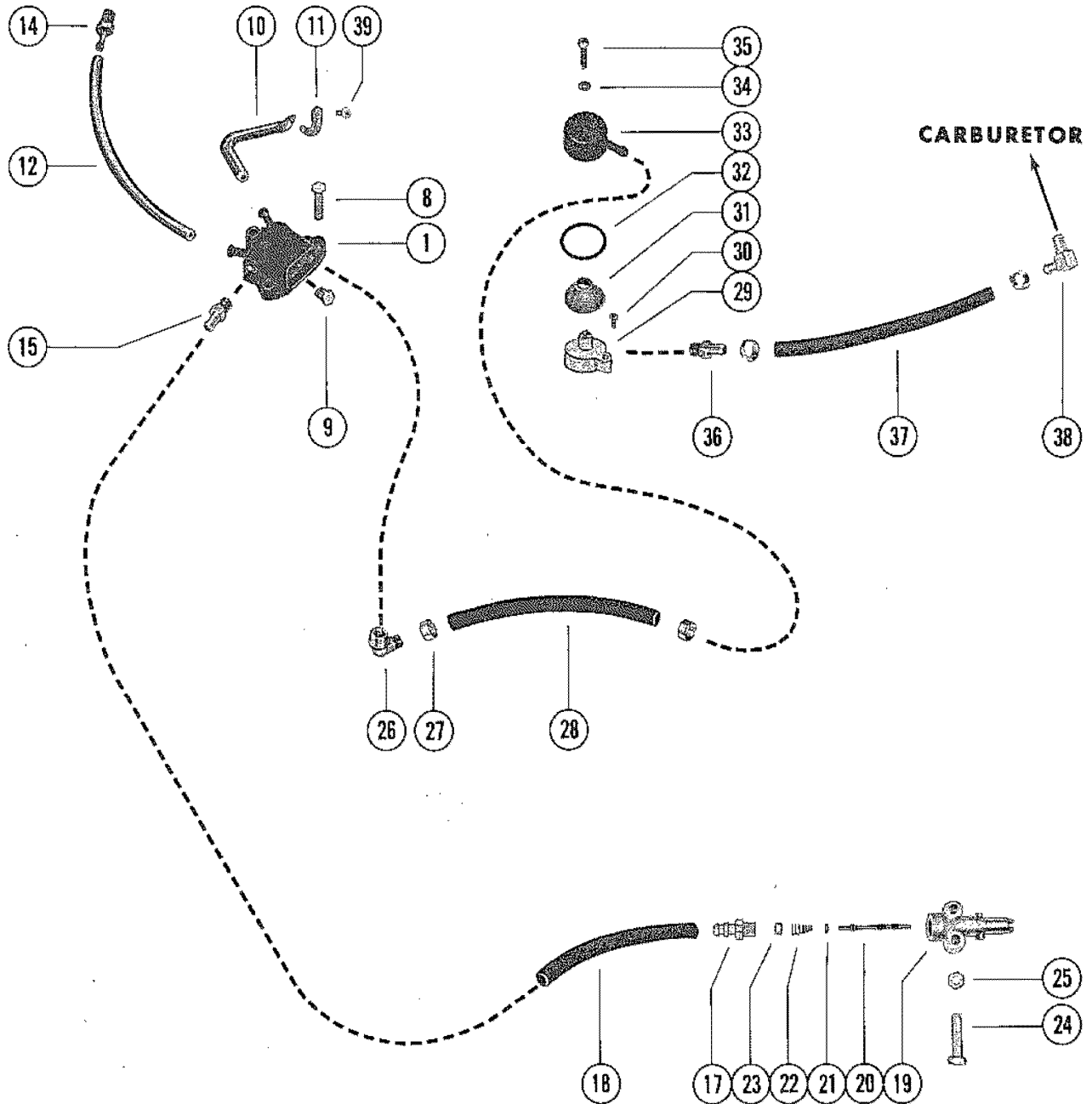
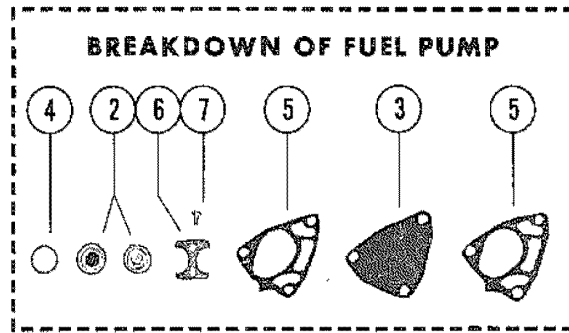




## SHIFT CONTROL LINKAGE

REF. NO.	PART NO.	SYM.	QTY.	DESCRIPTION
1	75716		1	BRACKET, SHIFT ANCHOR - UPPER
2	10-73657		2	SCREW, ANCHOR BRACKET TO CYLINDER BLOCK (1 1/2")
	10-52447		1	SCREW, ANCHOR BRACKET TO CYLINDER BLOCK (2 1/8")
3	10-35385		1	SCREW, BRACKET TO CRANKCASE (1 3/4")
5	75713		1	SLIDE, SHIFT ACTUATING
6	56193		1	LATCH, SHIFT ACTUATING SLIDE (SHIFT CABLE)
8	10-39620		1	SPRING, COMPRESSION - LATCH SCREW
9	75717		1	SLIDE, NYLON - ANCHOR BRACKET
10	39515		2	END CAP, NYLON - ANCHOR BRACKET SLIDE
11	75715		1	BRACKET, SHIFT ANCHOR - LOWER
12	10-20012		2	SCREW, UPPER BRACKET TO LOWER BRACKET (1 5/8")
13	11-20856		2	NUT, UPPER ANCHOR BRACKET SCREW
14	75104A7		1	SHIFT SHAFT ASSEMBLY (SHORT SHAFT)
	75104A8		1	SHIFT SHAFT ASSEMBLY (LONG SHAFT)
16	12-37998		1	WASHER, UPPER SHIFT SHAFT <b>MANUAL</b>
17	18-27769		1	COTTOER PIN, UPPER SHIFT SHAFT <b>MANUAL</b>
18	39519		1	CUP, RETAINER - ANCHOR BRACKET ( <b>SHIFT CABLE BARREL</b> )
19	39618		1	LEVER, NYLON - SHIFT CABLE LOCKING ( <b>UPPER BRACKET</b> )
20	17-47175		3	PIN, LOCKING LEVER AND COVER FASTENING
21	39667		1	COVER, NYLON - SHIFT CABLE
22	65799		1	LINK, LOCKING LEVER TO COVER

# FUEL PUMP ASSEMBLY AND FUEL LINES

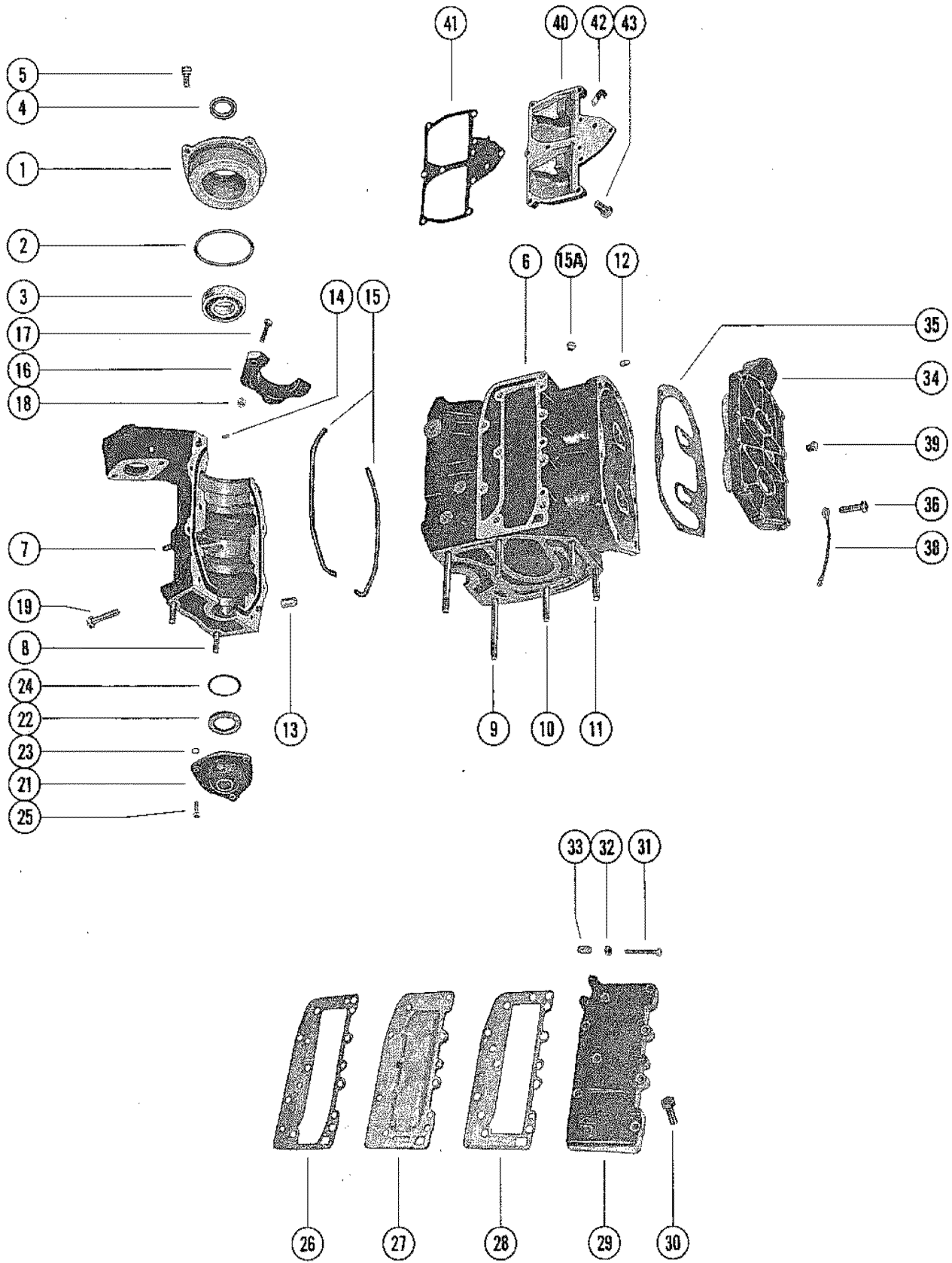


## FUEL PUMP ASSEMBLY AND FUEL LINES

REF. NO.	PART NO.	SYM.	QTY.	DESCRIPTION
1	62973A4		1	FUEL PUMP ASSEMBLY
2	21-30430A3		1	CHECK VALVE ASSEMBLY
3	55278A1	■	1	DIAPHRAGM KIT
4		■	2	GASKET, CHECK VALVE TO HOUSING
5		■	2	GASKET, FUEL PUMP
6	23004		1	RETAINER, CHECK VALVE
7	10-68789		2	SCREW, RETAINER TO HOUSING
8	10-69093		3	SCREW, FUEL PUMP MOUNTING (1 1/2")
9	22-32802		1	PLUG, PIPE - FUEL PUMP
10	69791A2		1	HOSE AND NOZZLE, TELL TALE <b>PART OF BOTTOM COWL ASSEMBLY</b>
11	66849		1	CLAMP, TELL TALE HOSE AND NOZZLE <b>PART OF BOTTOM COWL ASSEMBLY</b>
12	32-34395A1		1	HOSE ASSEMBLY, CYLINDER BLOCK TO FUEL PUMP (11")
14	22-29111		1	FITTING, BLOCK TO FUEL PUMP HOSE
15	22-64705		1	FITTING, PUMP INLET
17	22-63187		1	FITTING, FUEL LINE TO ADAPTOR
18	32-70432		1	FUEL LINE, FUEL PUMP TO ADAPTOR (12 1/4")
19	22833		1	ADAPTOR, CHECK UNIT (FUEL PUMP)
20	23069		1	STEM, CHECK UNIT ADAPTOR
21	25-20415	■	1	"O" RING, ADAPTOR STEM
22	24-23067		1	SPRING, ADAPTOR STEM
23	30188		1	CUP WASHER, ADAPTOR
24	10-56500		2	SCREW, ADAPTOR TO BOTTOM COWL (1 1/4")
25	11-36069		2	NUT, ADAPTOR SCREW
26	22-64704		1	ELBOW, PUMP OUTLET (90)
27	54-68424		8	CLAMP, FUEL LINE ATTACHING
28	32-70432		1	FUEL LINE, FUEL PUMP TO FILTER COVER (4 1/2")
29	70929		1	BASE, FUEL PUMP
30	10-71913		1	SCREW, BASE TO TRANSFER PORT COVER
31	35-59072	■	1	SCREEN, FILTER - INLET
32	25-47386	■	1	"O" RING, COVER TO HOUSING
33	59071		1	COVER, FUEL INLET
34	27-25848	■	1	GASKET, NYLON - FILTER COVER SCREW
35	10-37370		1	SCREW, COVER TO FUEL PUMP (5/8")
36	22-64705		1	FITTING, FILTER BASE
37	32-70432		1	FUEL LINE, FILTER COVER TO PUMP (6")
38	22-64704		1	FITTING, ELBOW - CARBURETOR
39	10-48409		1	SCREW, CLAMP TO BOTTOM COWL

■ = COMPONENT OF A-[27-78028A78]

# CYLINDER BLOCK AND CRANKCASE ASSEMBLY



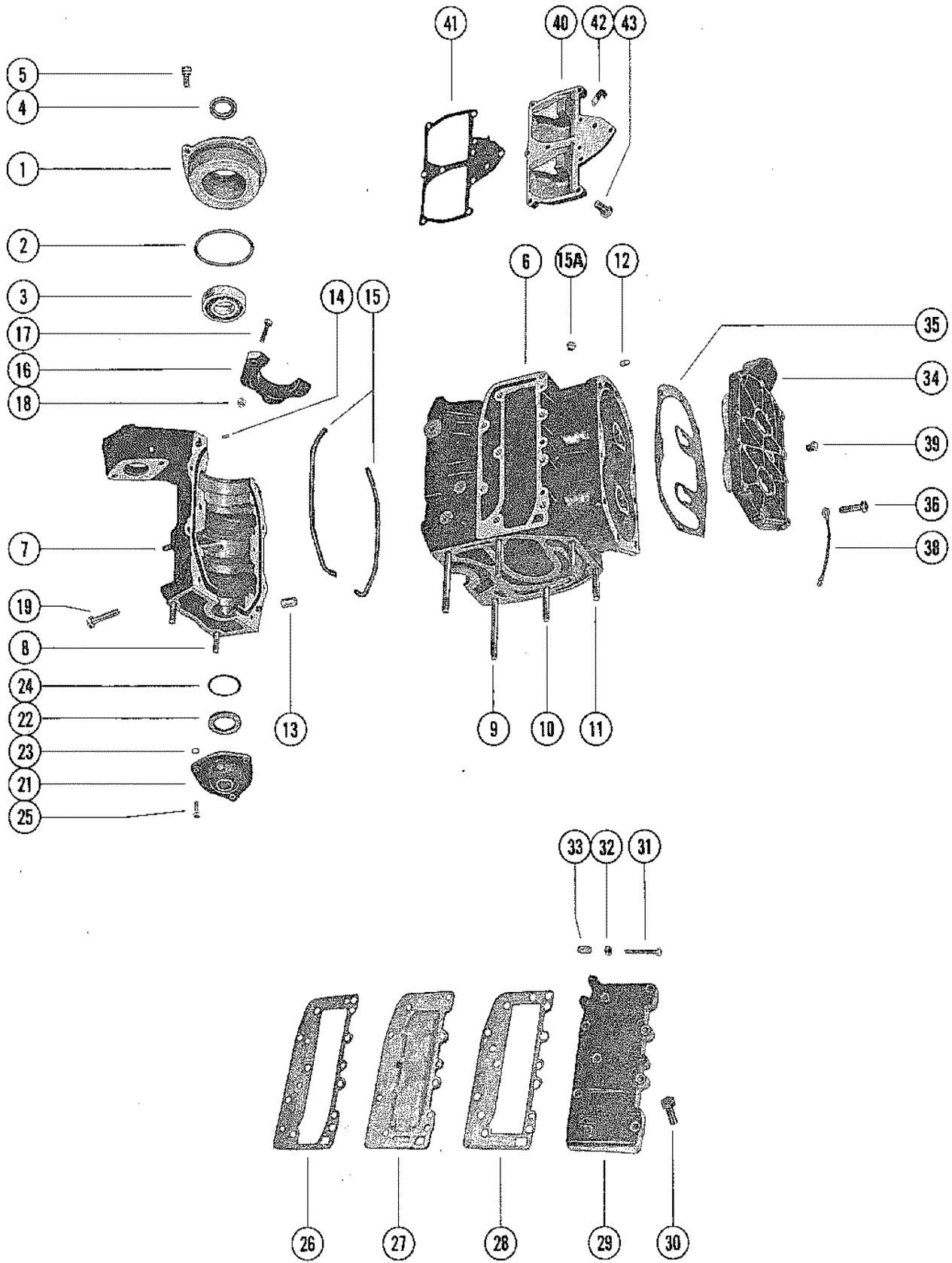
# CYLINDER BLOCK AND CRANKCASE ASSEMBLY

REF. NO.	PART NO.	SYM.	QTY.	DESCRIPTION
1	1151-4732A1		1	END CAP ASSEMBLY, UPPER
2	25-47254	■	1	"O" RING, UPPER END CAP
3	31-62066		1	ROLLER BEARING, UPPER END CAP
4	26-29476		1	OIL SEAL, UPPER END CAP
5	10-69034		4	SCREW, UPPER END CAP MOUNTING (1")
6	851-6663A3		1	CYLINDER BLOCK AND CRANKCASE ASSEMBLY
7	16-68164		2	STUD, CARBURETOR MOUNTING (1 1/4") (1 1/4")
8	16-68165		2	STUD, CRANKCASE TO DRIVE SHAFT HOUSING (1 5/8")
9	16-68168		2	STUD, CYLINDER BLOCK TO DRIVE SHAFT HOUSING (3 11/16")
10	16-68166		2	STUD, CYLINDER BLOCK TO DRIVE SHAFT HOUSING (2 7/64")
11	16-68167		2	STUD, CYLINDER BLOCK TO DRIVE SHAFT HOUSING (2 9/16")
12	66517		1	RESTRICTOR, CYLINDER BLOCK (BLEED)
13	17-23784		2	DOWEL PIN, CRANKCASE TO CYLINDER BLOCK
14	17-20323		1	DOWEL PIN, CYLINDER BLOCK TO MAIN BEARING
15	27-55158	■	2	GASKET, SEALING - CYLINDER BLOCK
15A	22-32802		1	PIPE PLUG, CYLINDER BLOCK
16	62064		1	BRACKET, STARTER MOTOR
17	10-21339		2	SCREW, STARTER MOTOR BRACKET TO BLOCK (1 3/8")
18	11-46793		2	NUT, STARTER MOTOR BRACKET SCREW
19	10-73657		6	SCREW, CRANKCASE TO CYLINDER BLOCK (1 1/2")
	10-63328		2	SCREW, CRANKCASE TO CYLINDER BLOCK (3")
	10-74824		1	SCREW, CRANKCASE TO CYLINDER BLOCK (1 1/4")
21	1152-7267A1		1	END CAP ASSEMBLY, LOWER
22	26-29476		2	OIL SEAL, LOWER END CAP
23	25-64068	■	3	"O" RING, LOWER END CAP SCREW
24	25-64067	■	1	"O" RING, LOWER END CAP
25	10-63365		3	SCREW LOWER END CAP TO CYLINDER BLOCK AND CRANKCASE (1 1/2")
26	27-78028	■	1	GASKET, CYLINDER BLOCK TO BAFFLE PLATE
27	55190		1	PLATE, DIVIDER - EXHAUST MANIFOLD
28	27-78027	■	1	GASKET, BAFFLE PLATE TO EXHAUST COVER
29	55157		1	COVER, EXHAUST MANIFOLD
30	10-69092		1	SCREW, MANIFOLD COVER TO CYLINDER BLOCK (1 1/4")
	10-69099		7	SCREW, MANIFOLD COVER TO CYLINDER BLOCK (1 3/8")
31	10-64021		2	SCREW, ADJUSTING - EXHAUST COVER (1 7/8")
32	11-64015		2	NUT, ADJUSTING SCREW
33	26852		2	CAP, NYLON - ADJUSTING SCREW
34	1024-6652		1	COVER, CYLINDER BLOCK
35	27-78029	■	1	GASKET, CYLINDER BLOCK COVER
36	10-76213		10	SCREW, CYLINDER BLOCK COVER MOUNTING (1 1/8")

■ = COMPONENT OF A-[27-78028A78]

CONTINUED ON NEXT PAGE ➡

# CYLINDER BLOCK AND CRANKCASE ASSEMBLY

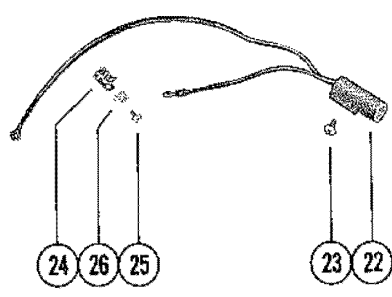
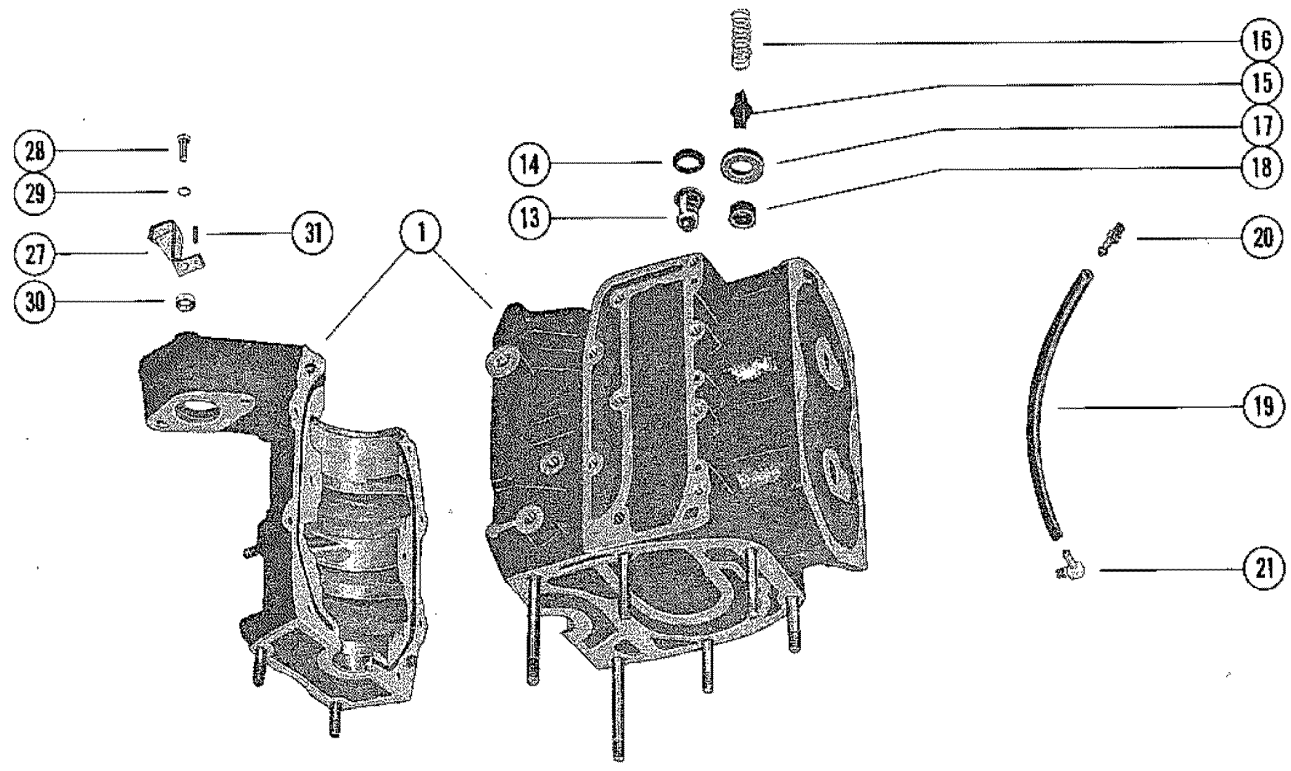
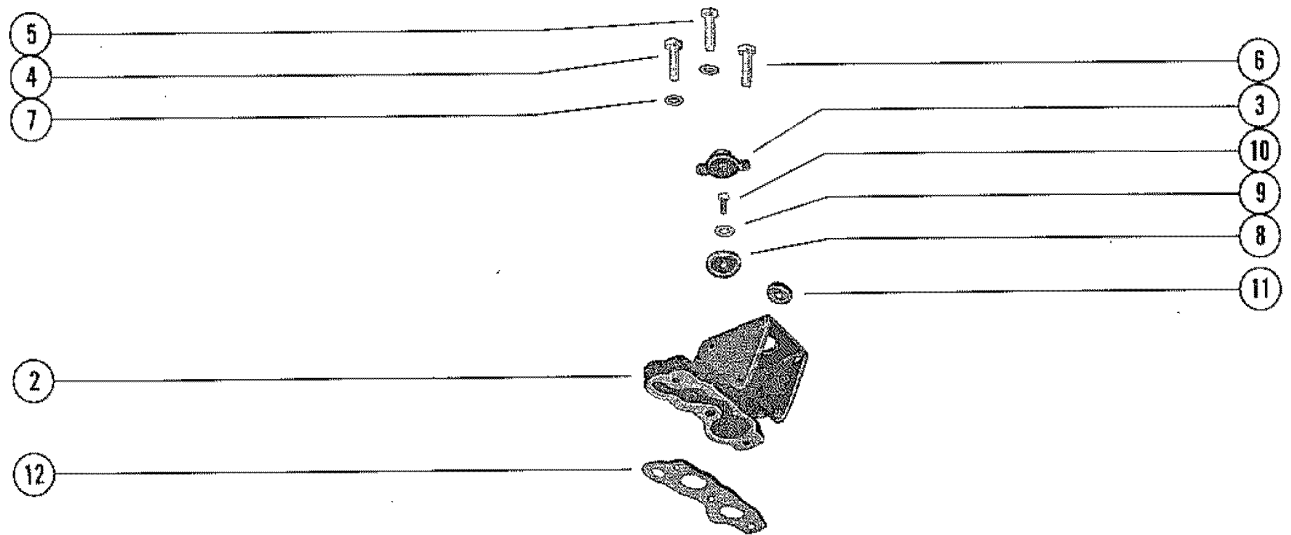


# CYLINDER BLOCK AND CRANKCASE ASSEMBLY

REF. NO.	PART NO.	SYM.	QTY.	DESCRIPTION
38	46933A3		2	GROUND STRAP, POWERHEAD TO <b>BOTTOM COWL</b>
39	22-32802		1	PLUG, PIPE - CYLINDER BLOCK COVER
40	63970		1	COVER, TRANSFER PORT
41	27-55279	■	1	GASKET, TRANSFER PORT COVER
42	54-54457		1	"J" CLIP, COIL HARNESS
43	10-69100		5	SCREW, TRANSFER PORT COVER MOUNTING (1")

■ = COMPONENT OF A-[27-78028A78]

# CYLINDER BLOCK AND COIL MOUNTING BRACKET



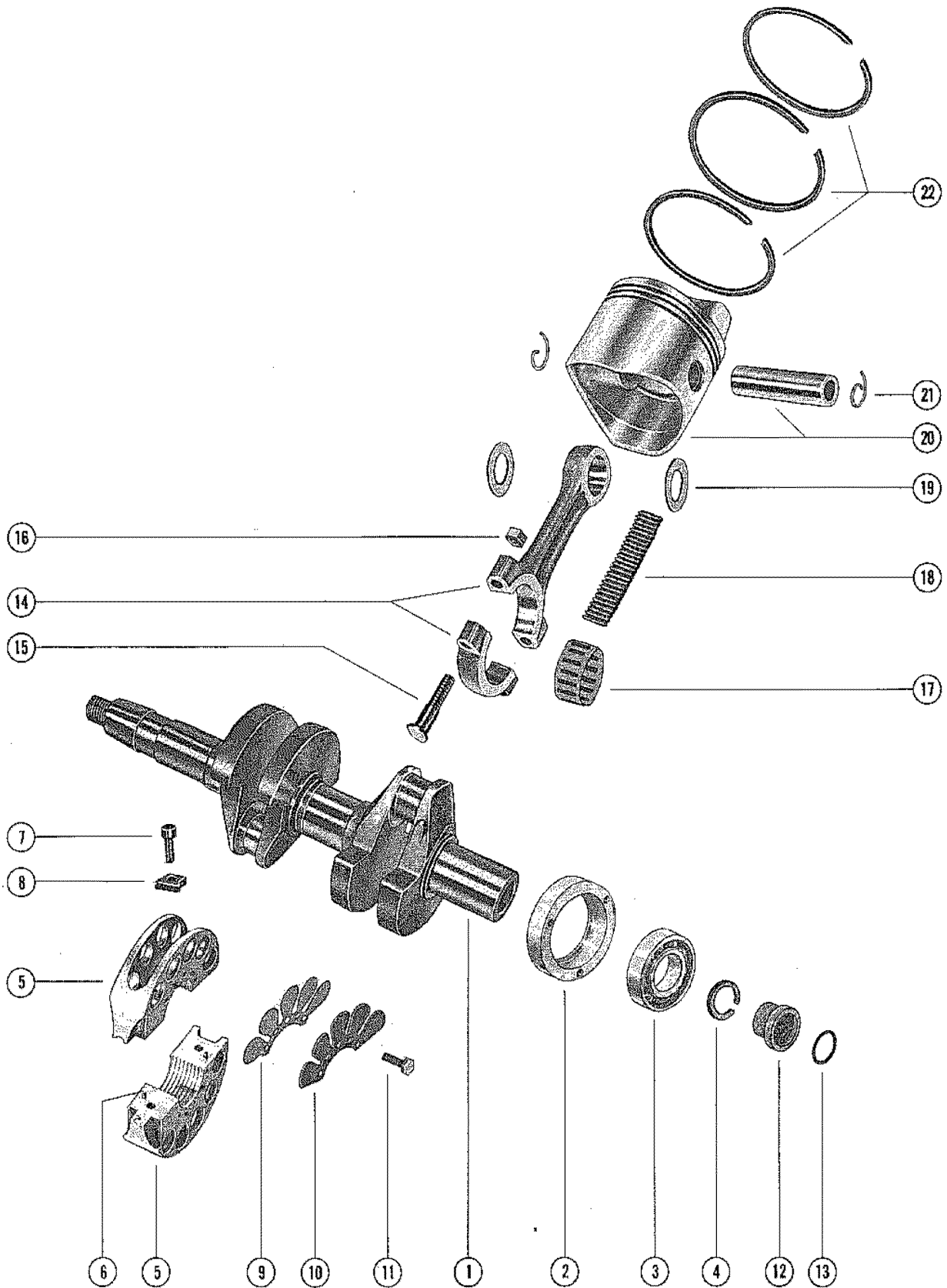


# CYLINDER BLOCK AND COIL MOUNTING BRACKET

REF. NO.	PART NO.	SYM.	QTY.	DESCRIPTION
1	851-6663A3		1	CYLINDER BLOCK AND CRANKCASE ASSEMBLY
2	66843		1	BRACKET, COIL MOUNTING
3	66844		1	COVER, DIAPHRAGM
4	10-31984		1	SCREW, COIL MOUNTING BRACKET TO BLOCK (1 3/8")
5	10-63327		1	SCREW, STARTER BRACKET AND COVER TO BLOCK (1 3/8")
6	10-58414		1	SCREW, COVER AND COIL BRACKET TO BLOCK (2 1/2")
7	13-26993		3	LOCKWASHER, COIL MOUNTING BRACKET SCREW
8	64877		1	DIAPHRAGM, POPPET VALVE
9	12-76451		1	WASHER, DIAPHRAGM
10	10-69570		1	SCREW <b>WASHER AND DIAPHRAGM TO POPPET VALVE</b>
11	25-39597		1	GROMMET, COIL MOUNTING BRACKET
12	27-66847	■	1	GASKET, COIL MOUNTING BRACKET TO BLOCK
13	66850		1	THERMOSTAT
14	27-62386	■	1	GASKET, THERMOSTAT
15	65409		1	POPPET, RELIEF VALVE
16	24-66852		1	SPRING, COMPRESSION - POPPET RELIEF VALVE
17	65848		1	CARRIER, POPPET VALVE
18	25-64872		1	GROMMET, POPPET VALVE
19	32-54936		1	HOSE, CYLINDER BLEED (8")
20	21-77560		1	FITTING, CYLINDER BLEED (TOP)
21	21-77207		1	ELBOW, CYLINDER BLEED (BOTTOM)
22	58124A17		1	SWITCH ASSEMBLY, MERCURY
23	10-48409		1	SCREW, MERCURY SWITCH TO EXHAUST COVER (5/8")
24	54-26550		1	CLIP, MERCURY SWITCH LEAD
25	10-62568		1	SCREW, MERCURY SWITCH CLIP (3/8")
26	22789		1	"D" WASHER, CLIP SCREW
27	76184		1	INDICATOR, TIMING <b>ELECTRIC</b>
28	10-25299		1	SCREW, INDICATOR ATTACHING (3/4") <b>ELECTRIC</b>
29	12-20084		1	WASHER, INDICATOR ATTACHING SCREW <b>ELECTRIC</b>
30	23-62769		1	SPACER, INDICATOR ATTACHING SCREW <b>ELECTRIC</b>
31	17-29908		1	ROLL PIN, INDICATOR LOCATING <b>ELECTRIC</b>

■ = COMPONENT OF A-[27-78028A78]

# CRANKSHAFT, PISTON AND CONNECTING ROD ASSEMBLY

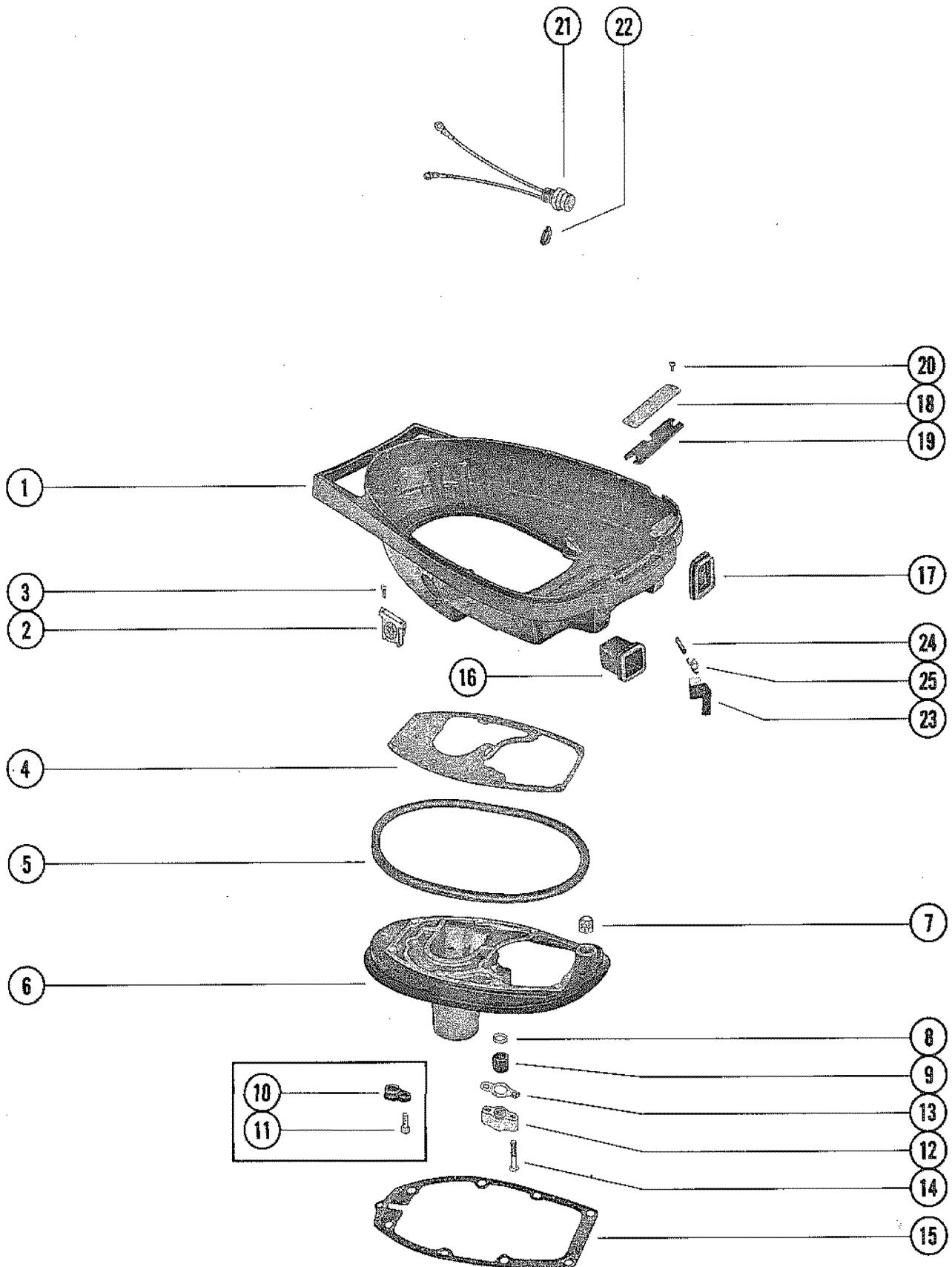


# CRANKSHAFT, PISTON AND CONNECTING ROD ASSEMBLY

REF. NO.	PART NO.	SYM.	QTY.	DESCRIPTION
1	454-6643A2		1	CRANKSHAFT ASSEMBLY
2	64069A1		1	RETAINER ASSEMBLY, BALL BEARING
3	30-63742		1	BALL BEARING, RETAINER (CRANKSHAFT)
4	53-63634		1	RETAINING RING, BALL BEARING
5	540-7238A2		1	MAIN BEARING ASSEMBLY, VALVE TYPE
6	17-22032		2	DOWEL PIN, MAIN BEARING
7	10-45775		2	SCREW, MAIN BEARING CLAMPING (9/16")
8	11-45774		2	NUT, MAIN BEARING CLAMPING SCREW
9	34-56007A1		1	REED SET, MAIN BEARING (MATCHED)
10	34-56008		4	REED STOP, MAIN BEARING REED VALVES
11	10-20055		12	SCREW, REED STOP MOUNTING (3/8")
12	60834A3		1	CARRIER ASSEMBLY, SEAL <b>METAL SEAL CARRIER PRESSED IN CRANKSHAFT.</b>
13	64254	■	1	SEAL, CARRIER <b>METAL SEAL CARRIER PRESSED IN CRANKSHAFT.</b>
14	622-4850A3		2	CONNECTING ROD ASSEMBLY
15	10-54803		4	SCREW, CONNECTING ROD
16	11-49091		4	NUT, CONNECTING ROD SCREW
17	31-62596A1		2	BEARING, ASSEMBLY, CRANKPIN
18	29-47270		58	BEARING, NEEDLE - PISTON PIN
19	12-47247		4	WASHER, NEEDLE BEARING RETAINING
20	745-6661A4		2	PISTON AND PISTON PIN ASSEMBLY
21	40-52035		4	LOCK RING, PISTON PIN
22	39-78816A12		1	RING, PISTON
	745-6696A2		2	PISTON AND PISTON PIN ASSEMBLY (OVERSIZED)
	39-78811A12		1	RING, PISTON (.015 OVERSIZE)

■ = COMPONENT OF A-[27-78028A78]

# BOTTOM COWL AND EXHAUST PLATE ASSEMBLY

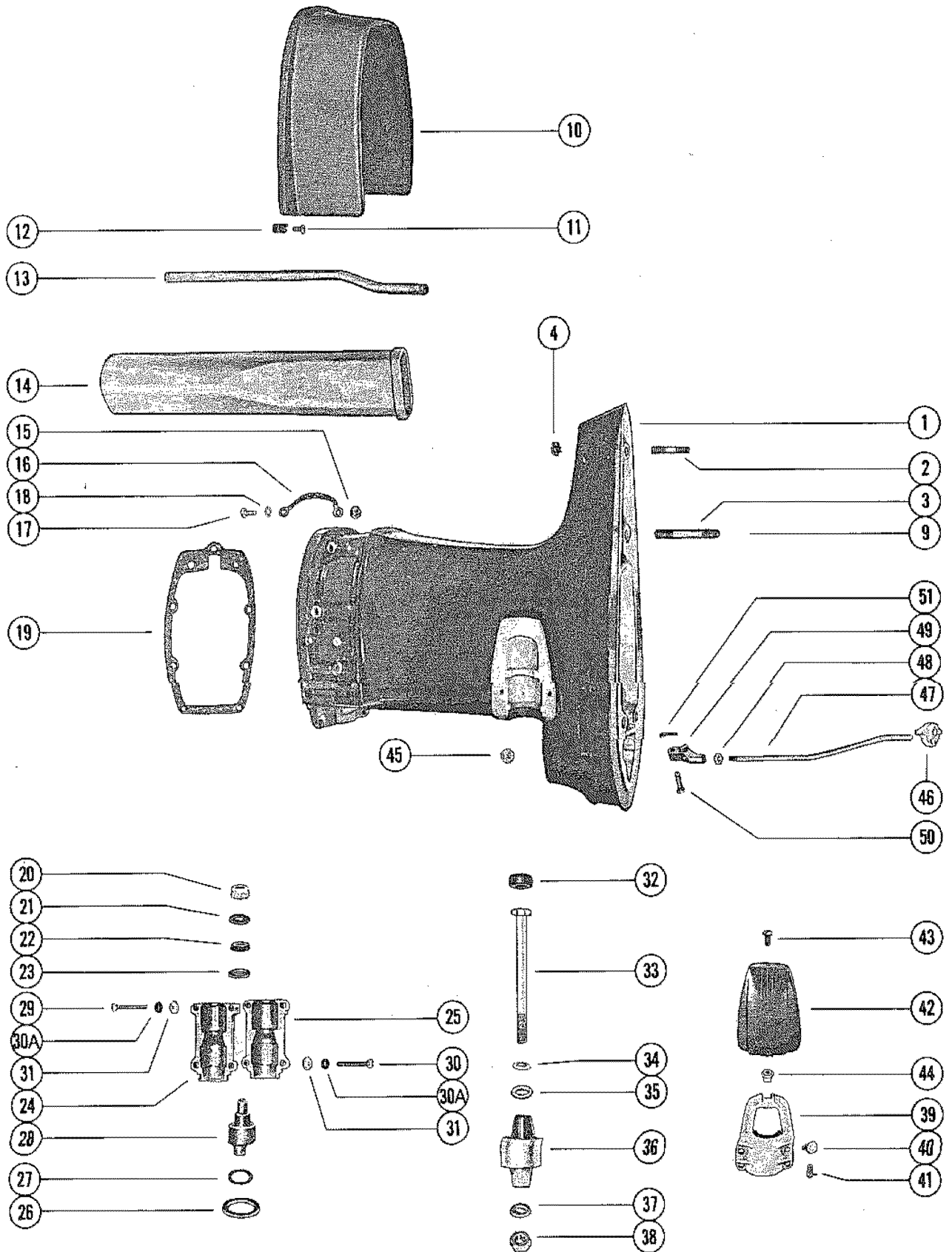


# BOTTOM COWL AND EXHAUST PLATE ASSEMBLY

REF. NO.	PART NO.	SYM.	QTY.	DESCRIPTION
1	2139-6424A1		1	BOTTOM COWL
2	48472		1	COVER, PLUG - BOTTOM COWL HARNESS HOLE <b>MANUAL</b>
3	10-61802		2	SCREW, PLUG COVER TO BOTTOM COWL (7/8") <b>MANUAL</b>
4	27-62860	■	1	GASKET <b>POWERHEAD TO EXHAUST EXTENSION PLATE</b>
5	39622		1	SEAL, RUBBER <b>EXHAUST PLATE TO BOTTOM COWL</b>
6	72014A2		1	PLATE ASSEMBLY, EXHAUST EXTENSION <b>SERIAL GROUP #1</b>
	79614A1		1	PLATE ASSEMBLY, EXHAUST EXTENSION <b>SERIAL GROUP #1</b>
7	23-71980		1	BUSHING, FLANGE EXHAUST PLATE
8	12-38453		1	WASHER, NYLON - WATER OUTLET TUBE
9	26-38452	■	1	SEAL, RUBBER - WATER OUTLET TUBE
10	38500		1	RETAINER, WATER OUTLET TUBE SEAL <b>SERIAL GROUP #1</b>
11	10-74035		1	SCREW RETAINER TO EXHAUST PLATE (3/4") <b>SERIAL GROUP#1</b>
12	79799		1	HOUSING, WATER INLET TUBE SEAL <b>SERIAL GROUP #2</b>
13	27-79797	■	1	GASKET, HOUSING <b>SERIAL GROUP #2</b>
14	10-79798		2	SCREW, HOUSING TO EXHAUST PLATE (1 3/8") <b>SERIAL GROUP #2</b>
15	27-38501	■	1	GASKET <b>EXHAUST PLATE TO DRIVE SHAFT HOUSING</b>
16	37637		1	BOOT, FUEL CONNECTOR - BOTTOM COWL
17	39616		1	BOOT, CONTROL CABLE - BOTTOM COWL
18	39555A1		1	COVER PLATE ASSEMBLY
19	39556		1	PAD, SOUND - COVER PLATE
20	10-69014		3	SCREW, COVER PLATE TO BOTTOM COWL
21	87-69508A5		1	STOP SWITCH ASSEMBLY <b>MANUAL</b>
22	11-69844		1	NUT, STOP SWITCH <b>MANUAL</b>
23	76176		1	LEVER, FRONT COVER
24	17-26541		1	ROLL PIN, LEVER TO BOTTOM COWL
25	24-76177		1	SPRING, FRONT COVER LEVER

■ = COMPONENT OF A-[27-78028A78]

# DRIVE SHAFT HOUSING ASSEMBLY



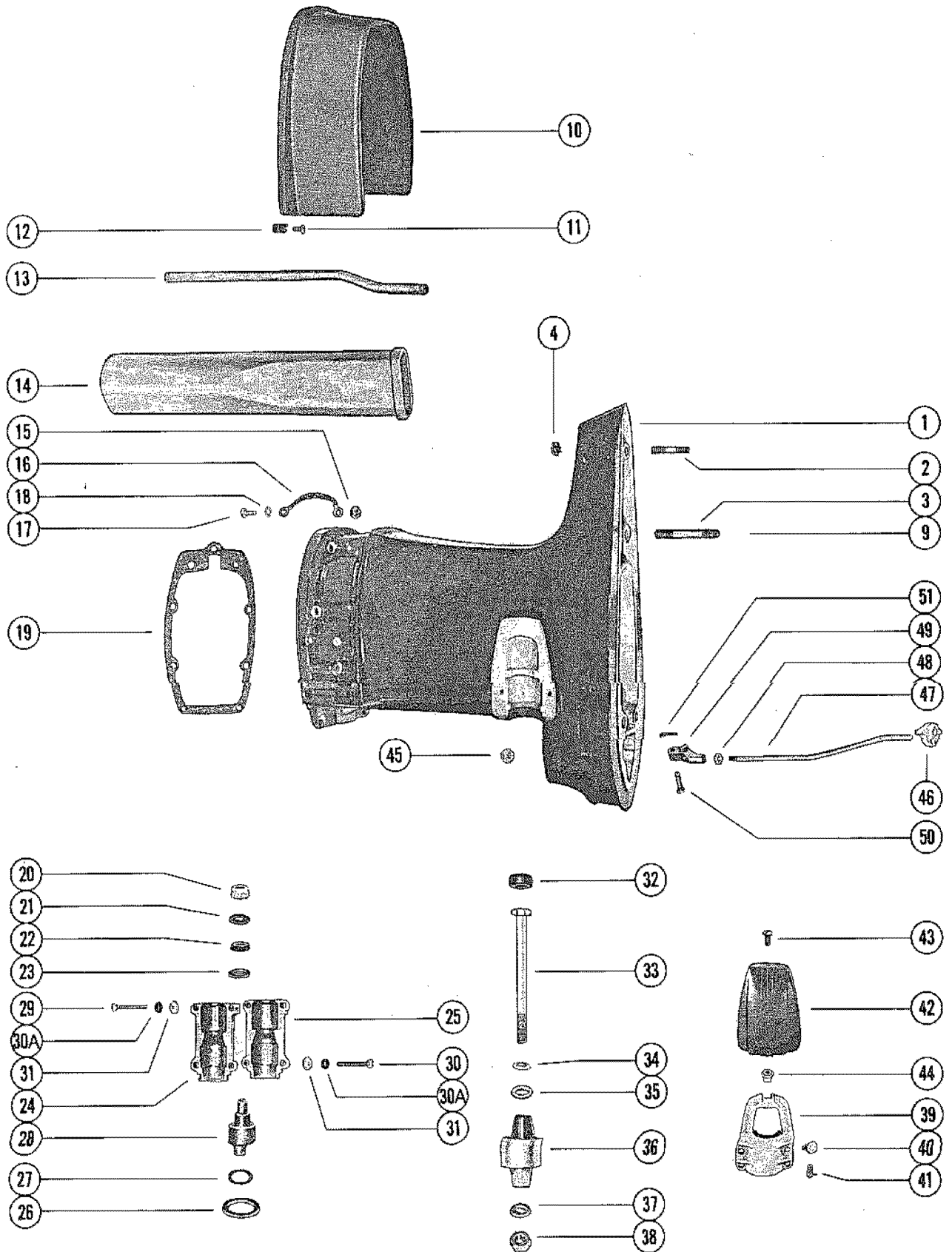
# DRIVE SHAFT HOUSING ASSEMBLY

REF. NO.	PART NO.	SYM.	QTY.	DESCRIPTION
1	1554-6581A3		1	DRIVE SHAFT HOUSING ASSEMBLY (SHORT SHAFT)
	1564-6582A3		1	DRIVE SHAFT HOUSING ASSEMBLY (LONG SHAFT)
2	16-57932		1	STUD, DRIVE SHAFT HOUSING TO GEAR HOUSING (1 3/4")
3	16-57935		1	STUD, DRIVE SHAFT HOUSING TO GEAR HOUSING (3")
4	19-64649		1	PLUG, PLASTIC - WATER PICK-UP HOLES
9	12-65791		2	WASHER, DRIVE SHAFT HOUSING TO GEAR HOUSING STUDS
10	60769		1	COVER, TRIM - DRIVE SHAFT HOUSING
11	10-57807		4	SCREW, TRIM COVER TO DRIVE SHAFT HOUSING
12	25-57806		4	GROMMET, TRIM COVER SCREW
13	32-37727		1	TUBE, WATER OUTLET (SHORT SHAFT)
	32-45679		1	TUBE, WATER OUTLET (LONG SHAFT)
14	69543		1	TUBE, EXHAUST (SHORT SHAFT)
	69544		1	TUBE, EXHAUST (LONG SHAFT)
15	11-64809		8	NUT, POWERHEAD STUDS
16	46933A2		2	GROUND STRAP <b>BOTTOM COWL TO DRIVE SHAFT HOUSING</b>
17	10-48408		2	SCREW, GROUND STRAP ATTACHING (1/2")
18	13-69432		2	LOCKWASHER, GROUND STRAP SCREW
19	27-38501	■	1	GASKET, EXHAUST PLATE TO DRIVE SHAFT HOUSING
20	11-23161		2	NUT, UPPER MOUNT BOLT
21	12-30519		2	WASHER, UPPER MOUNT BOLT (3/8 ID)
22	12-66966		2	WASHER, RUBBER - UPPER MOUNT BOLT
23	12-27727		2	WASHER, UPPER MOUNT BOLT (37/64 ID)
24	24935		2	COVER, UPPER MOUNT - OUTSIDE HALF <b>SERIAL GROUP #1</b>
25	31120		2	COVER, UPPER MOUNT - INSIDE HALF <b>SERIAL GROUP #1</b>
26	24929		2	PACKING, "U" CUP - UPPER MOUNT COVERS <b>SERIAL GROUP #1</b>
27	25-65936		2	"O" RING, UPPER MOUNT <b>SERIAL GROUP #1</b>
24	79680		2	COVER, UPPER MOUNT - OUTSIDE HALF <b>SERIAL GROUP #2</b>
25	79681		2	COVER, UPPER MOUNT - INSIDE HALF <b>SERIAL GROUP #2</b>
26	79660		2	SEAL, BELLOWS - UPPER MOUNT <b>SERIAL GROUP #2</b>
28	75301		2	MOUNT, RUBBER - UPPER
29	10-67916		4	SCREW, UPPER MOUNT COVER - REAR (2")
30	10-69029		4	SCREW, UPPER MOUNT COVER - FRONT (1 3/4")
30A	12-29245		8	WASHER, UPPER MOUNT COVER SCREW
31	11-36069		8	NUT, UPPER MOUNT COVER SCREW
32	25067		2	BUMPER, LOWER MOUNT (T 1/2")
33	10-49318		2	SCREW, LOWER MOUNT (5 1/2")
34	12-28051		2	WASHER, LOWER MOUNT SCREW
35	12-28053		2	WASHER, RUBBER - LOWER MOUNT SCREW
36	75302		2	MOUNT, RUBBER - LOWER
37	12-30119		2	WASHER, LOWER MOUNT SCREW
38	11-25096		2	NUT, LOWER MOUNT SCREW

■ = COMPONENT OF A-[27-78028A78]

CONTINUED ON NEXT PAGE ➡

# DRIVE SHAFT HOUSING ASSEMBLY

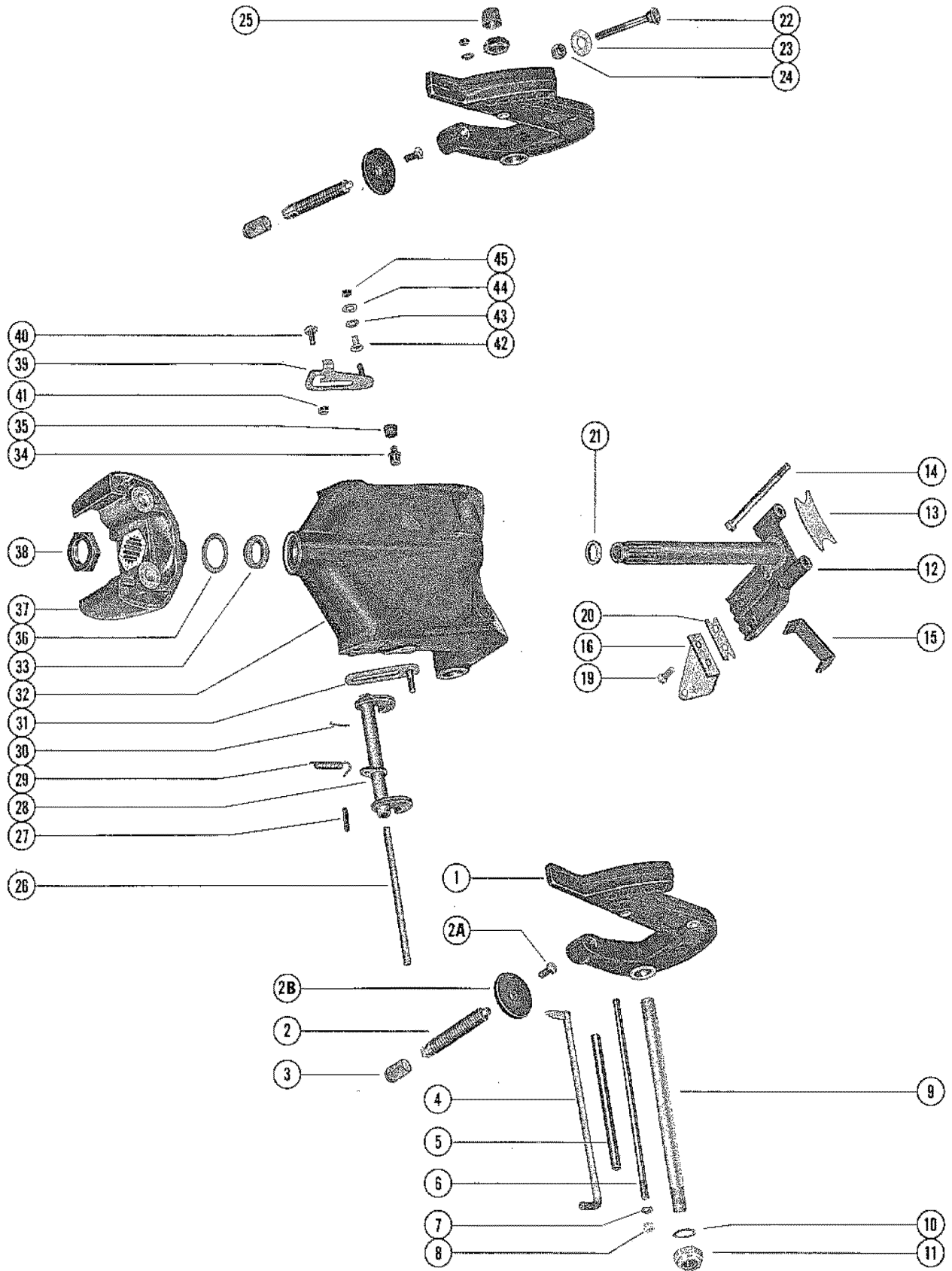




## DRIVE SHAFT HOUSING ASSEMBLY

REF. NO.	PART NO.	SYM.	QTY.	DESCRIPTION
39	69592		2	CLAMP, LOWER MOUNT TO DRIVE SHAFT HOUSING
40	10-29256		4	SCREW, LOWER MOUNT CLAMP TO DRIVE SHAFT HOUSING (7/8")
41	24-35522		4	SPRING, TENSION - LOWER MOUNT CLAMP
42	35474		2	COVER, LOWER MOUNT CLAMP
43	10-29722		2	SCREW, COVER TO LOWER CLAMP (5/8")
44	11-35521		2	NUT, LOWER MOUNT CLAMP COVER
45	11-34933		2	NUT <b>GEAR HOUSING TO DRIVE SHAFT HOUSING STUDS</b>
46	86599		1	GUIDE, PUSH ROD
47	59721		1	ROD, PUSH REVERSE LOCK (SHORT SHAFT)
	59720		1	ROD, PUSH - REVERSE LOCK (LONG SHAFT)
48	11-28770		1	NUT, JAM - PUSH ROD
49	59722		1	ROD END, PUSH ROD
50	17-72524		1	PIN, REVERSE LOCK LEVER
51	18-25191		1	COTTER PIN, PUSH ROD TO REVERSE LOCK

# CLAMP AND SWIVEL BRACKET ASSEMBLY

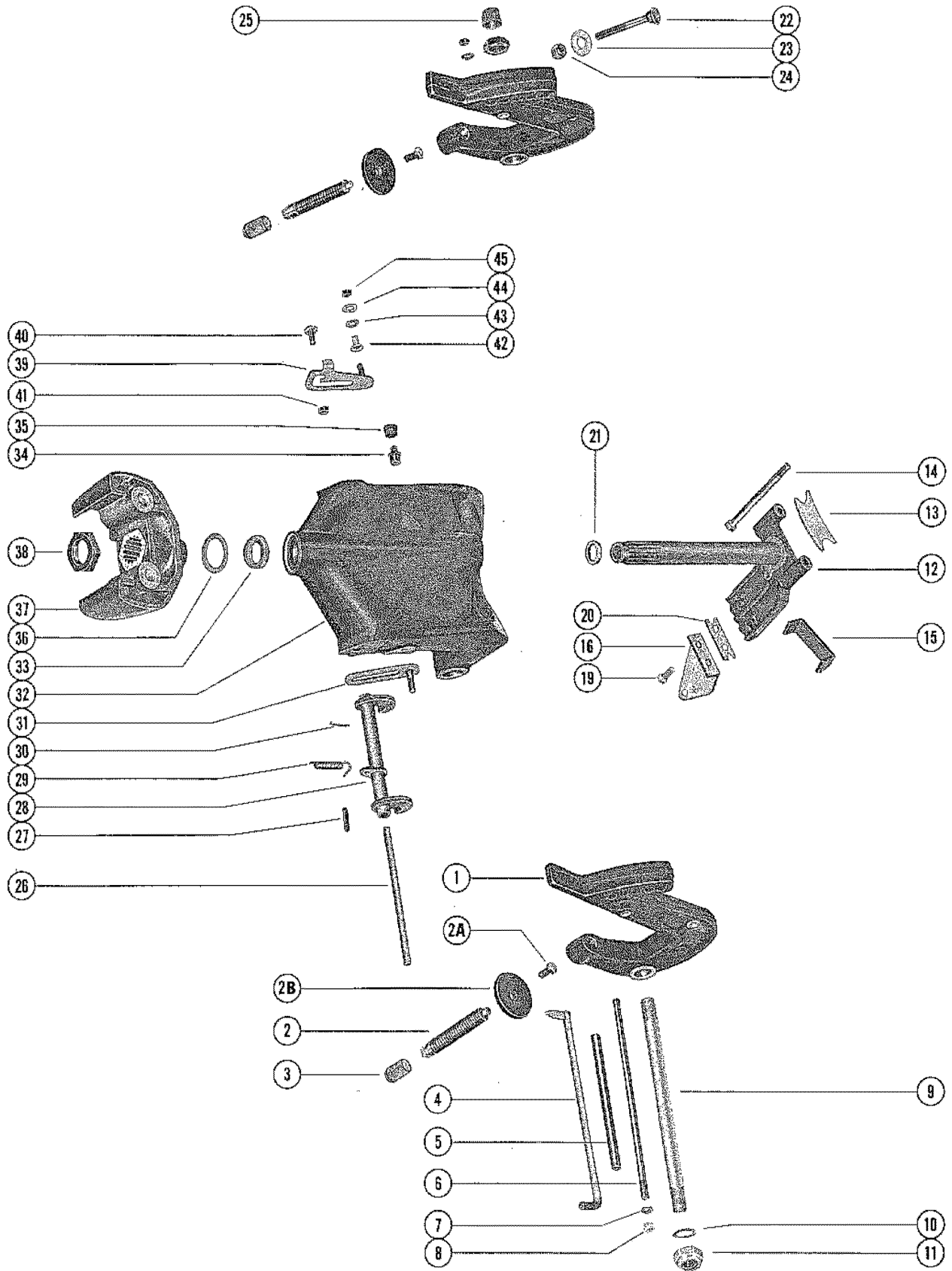


# CLAMP AND SWIVEL BRACKET ASSEMBLY

REF. NO.	PART NO.	SYM.	QTY.	DESCRIPTION
1	1427-5611A4		2	CLAMP BRACKET ASSEMBLY
2	10-78492A1		2	THUMB SCREW ASSEMBLY
2A	10-78495		2	SCREW, WASHER TO THUMB SCREW
2B	12-78493		2	WASHER, THUMB SCREW
3	75043		2	CAP, THUMB SCREW
4	17-49930A1		1	TILT LOCK PIN ASSEMBLY
5	23-59623		1	SPACER, CLAMP BRACKET STUD
6	16-59625		1	STUD, CLAMP BRACKET
7	13-26993		2	LOCKWASHER, CLAMP BRACKET STUD
8	11-28770		2	NUT, CLAMP BRACKET STUD
9	74528		1	TUBE, TILT - CLAMP BRACKET TO SWIVEL BRACKET
10	12-52864		6	WASHER, CLAMP BRACKET TO SWIVEL BRACKET
11	11-56041		2	NUT, TILT TUBE
12	74316A8		1	SWIVEL PIN ASSEMBLY (SHORT SHAFT) <b>MANUAL</b>
	74316A7		1	SWIVEL PIN ASSEMBLY (LONG SHAFT) <b>MANUAL</b>
	78826A1		1	SWIVEL PIN ASSEMBLY (SHORT SHAFT) <b>ELECTRIC</b>
	78826A2		1	SWIVEL PIN ASSEMBLY (LONG SHAFT) <b>ELECTRIC</b>
13	30711		1	BUMPER, STEERING ARM
14	10-33986		2	SCREW, UPPER MOUNT TO STEERING ARM
15	62297		1	BUMPER, STEERING ARM <b>MANUAL</b>
16	76535		1	BRACKET, RIDE-GUIDE ATTACHING <b>MANUAL</b>
19	10-34352		2	SCREW, BRACKET TO STEERING ARM (7/8") <b>MANUAL</b>
20	76533		1	STRAP, BRACKET SCREW <b>MANUAL</b>
21	12-52865		1	WASHER, SWIVEL PIN
22	10-68298		2	BOLT, CLAMP BRACKET TO BOAT TRANSOM ( <b>LOWER</b> )
	10-68299		2	BOLT, CLAMP BRACKET TO BOAT TRANSOM ( <b>UPPER</b> )
23	12-68410		2	WASHER, CLAMP BRACKET BOLT ( <b>LOWER</b> )
	12-68300		2	WASHER, CLAMP BRACKET BOLT ( <b>UPPER</b> )
24	11-68411		4	NUT, CLAMP BRACKET BOLT
25	53078		2	CAP, PLASTIC - TILT TUBE
26	56349		1	SHAFT, REVERSE LOCK TO SWIVEL BRACKET
27	17-25598		1	ROLL PIN, REVERSE LOCK SPRING ATTACHING
28	70690		1	REVERSE LOCK ASSEMBLY
29	24-29821		1	SPRING, REVERSE LOCK TENSION
30	18-45882		1	COTTER PIN, REVERSE LOCK TO SHAFT
31	47912A2		1	LEVER ASSEMBLY, TILT STOP - STARBOARD SIDE
32	1481-6095A1		1	SWIVEL BRACKET ASSEMBLY (SHORT SHAFT)
	1480-6094A1		1	SWIVEL BRACKET ASSEMBLY (LONG SHAFT)
33	26-32911		3	OIL SEAL, SWIVEL BRACKET
34	22-74036		3	FITTING, GREASE - SWIVEL BRACKET
35	29359		1	LUBRICAP, SWIVEL BRACKET GREASE FITTING
36	12-25176		1	WASHER, SWIVEL PIN TO BOTTOM YOKE (.060)
	12-26837		AR	WASHER, SWIVEL PIN TO BOTTOM YOKE (.065)

CONTINUED ON NEXT PAGE ➡

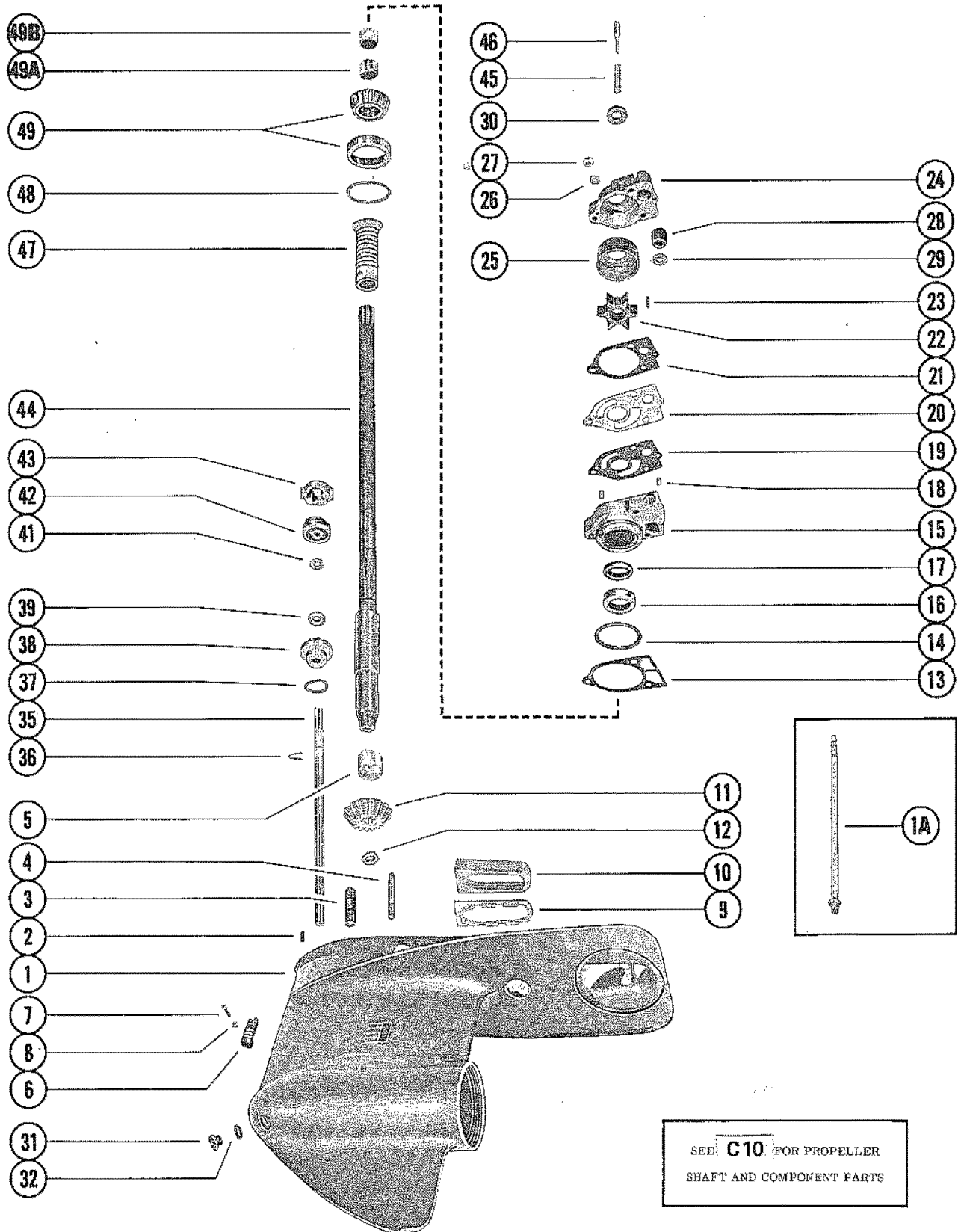
# CLAMP AND SWIVEL BRACKET ASSEMBLY



## CLAMP AND SWIVEL BRACKET ASSEMBLY

REF. NO.	PART NO.	SYM.	QTY.	DESCRIPTION
37	77416		1	YOKE, BOTTOM
38	53-77415		1	RETIANING RING, BOTTOM YOKE
39	47913A2		1	LEVER ASSEMBLY, TILT LOCK - PORT SIDE
40	10-69087		2	SCREW, TILT LOCK AND STOP LEVER TO SWIVEL BRACKET
41	11-46793		2	NUT, TILT LOCK AND STOP LEVER SCREW
42	23-47911		2	BUSHING, TILT LOCK AND STOP LEVER
43	13-34632		2	WASHER, WAVE - TILT LOCK AND STOP LEVER
44	12-56720		2	WASHER, TILT LOCK AND STOP LEVER
45	11-46793		2	NUT, TILT LOCK AND STOP LEVER TO CLAMP BRACKET

# GEAR HOUSING ASSEMBLY, COMPLETE (PAGE 1 OF 2)



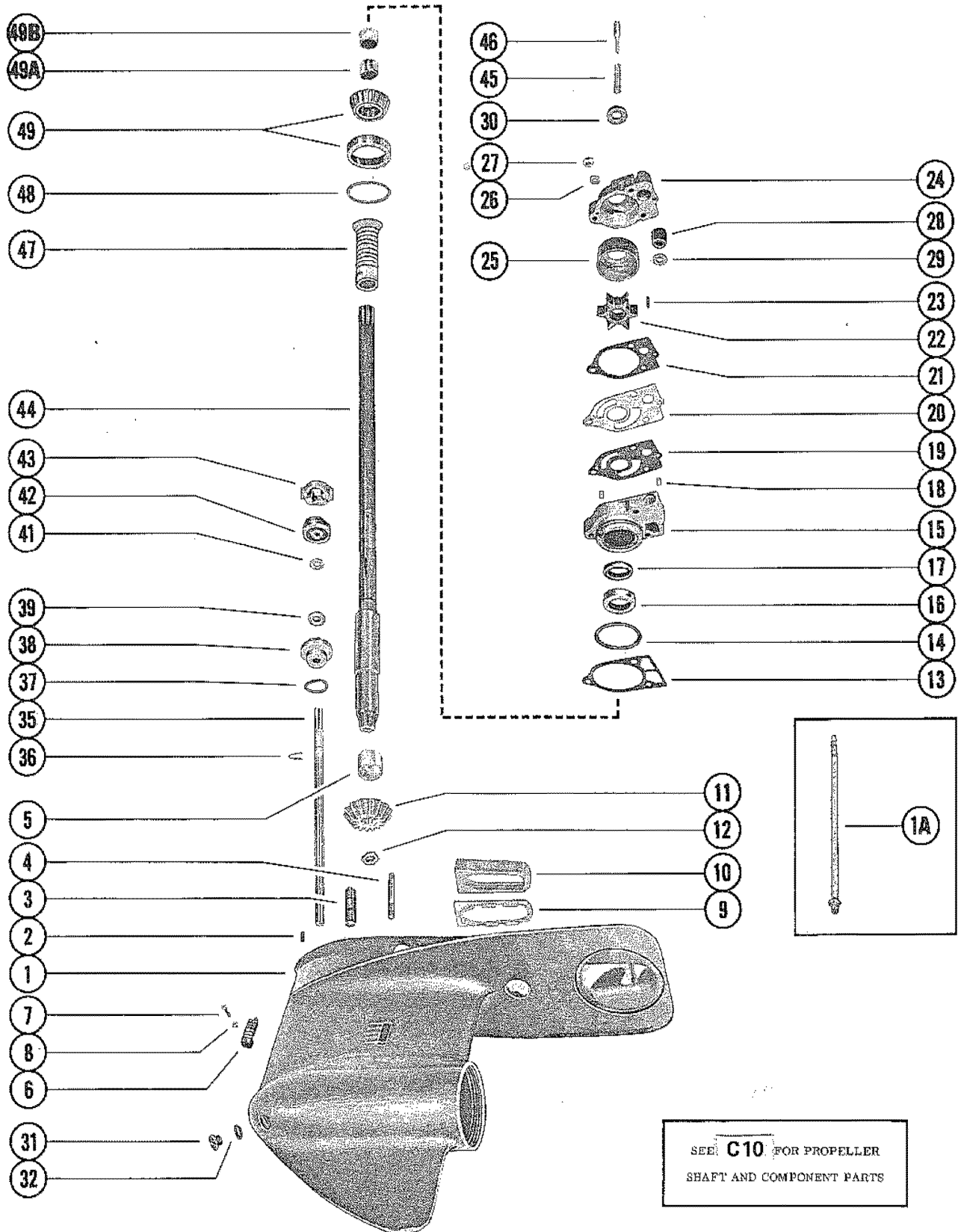
# GEAR HOUSING ASSEMBLY, COMPLETE (PAGE 1 OF 2)

REF. NO.	PART NO.	SYM.	QTY.	DESCRIPTION
-	1643-6459A10		1	GEAR HOUSING ASSEMBLY, COMPLETE (SHORT SHAFT): SERIAL GROUP #1
-	1643-6459A11		1	GEAR HOUSING ASSEMBLY, COMPELETE (LONG SHAFT) : SERIAL GROUP #1
-	1643-7406A14		1	GEAR HOUSING ASSEMBLY, COMPLETE (SHORT SHAFT): SERIAL GROUP #2
-	1643-7406A15		1	GEAR HOUSING ASSEMBLY, COMPLETE (LONG SHAFT): SERIAL GROUP #2
1	1643-6459A3		1	GEAR HOUSING ASSEMBLY SERIAL GROUP #1
	1643-7406A16		1	GEAR HOUSING ASSEMBLY SERIAL GROUP #2
1A	22-85822A1		1	CONNECTOR ASSEMBLY, SPEEDOMETER SERIAL GROUP #2
2	17-46912		2	PIN, DOWEL - GEAR HOUSING
3	16-33778		3	STUD, WATER PUMP BODY/BASE TO GEAR HSG. (2 5/8")
4	16-57933		2	STUD, GEAR HOUSING TO DRIVE SHAFT HOUSING
5	31-62091		1	BEARING, ROLLER - DRIVE SHAFT
6	63850		1	SCREEN, WATER INTAKE - STARBOARD
	63851		1	SCREEN, WATER INTAKE - PORT
7	10-36070		1	SCREW <b>WATER INTAKE SCREEN TO GEAR HOUSING</b>
8	11-45812		1	NUT, WATER INTAKE SCREEN SCREW
9	38071		1	PLATE, SUPPORT - EXHAUST TUBE
10	37721	■	1	SEAL, EXHAUST TUBE
11	43-55607		1	GEAR, PINION - DRIVE SHAFT
12	11-55910		1	NUT, PINION GEAR TO DRIVE SHAFT
13	27-77417	■	1	GASKET, WATER PUMP BASE TO GEAR HOUSING
14	25-20266	■	1	,"O" RING, WATER PUMP BASE
15	46-77177A1		1	WATER PUMP BASE ASSEMBLY
16	26-79831		1	OIL SEAL, WATER PUMP BASE
17	26-23300		1	OIL SEAL, WATER PUMP BASE
18	17-35973		2	DOWEL PIN <b>WATER PUMP BASE TO WATER PUMP BODY</b>
19	27-32769	■	1	GASKET, LOWER <b>WATER PUMP BASE TO FACE PLATE</b>
20	54705		1	PLATE, FACE <b>WATER PUMP BASE TO WATER PUMP BODY</b>
21	27-32770	■	1	GASKET, UPPER <b>FACE PLATE TO WATER PUMP BODY</b>
22	47-65959		1	IMPELLER, WATER PUMP
23	28-56662		1	KEY, IMPELLER DRIVE
24	46-77822A1		1	WATER PUMP BODY ASSEMBLY
25	48753		1	INSERT, WATER PUMP BODY
26	12-29245		3	WASHER, WATER PUMP BODY AND BASE STUDS
27	11-35888		3	NUT, WATER PUMP BODY AND BASE STUDS
28	26-38452	■	1	SEAL, RUBBER - WATER INLET TUBE (WATER PUMP BODY)
29	12-38453		1	WASHER, NYLON - WATER PUMP BODY

■ = COMPONENT OF A-[27-78028A78]

CONTINUED ON NEXT PAGE ➡

# GEAR HOUSING ASSEMBLY, COMPLETE (PAGE 1 OF 2)



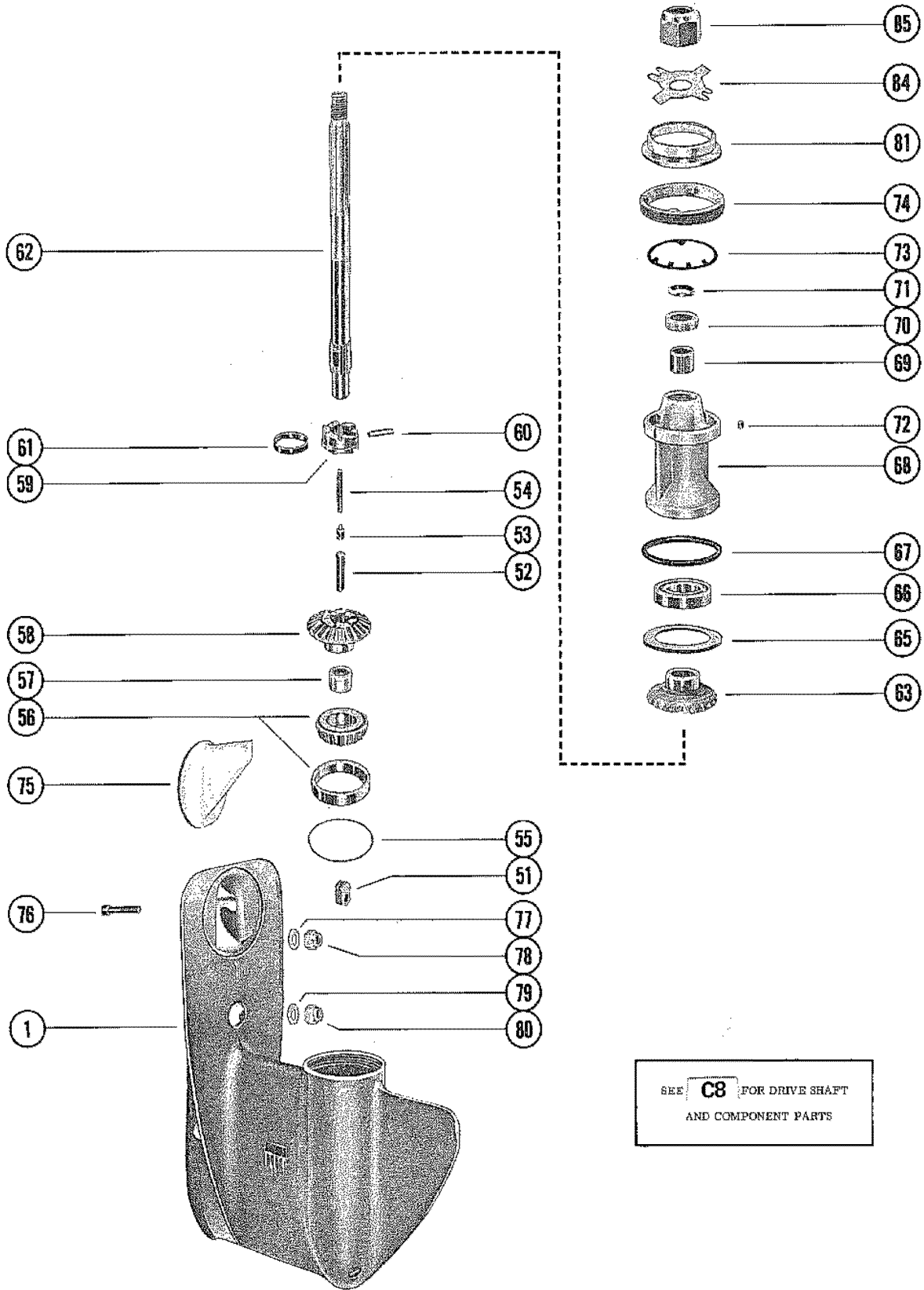


# GEAR HOUSING ASSEMBLY, COMPLETE (PAGE 1 OF 2)

REF. NO.	PART NO.	SYM.	QTY.	DESCRIPTION
30	25-20273	■	1	RING, RUBBER - CENTRIFUGAL SLINGER (DRIVE SHAFT)
31	10-79953		1	SCREW, GREASE FILLER
	22-67892		1	SCREW, DRAIN (MAGNETIC)
32	12-20260		2	WASHER, GREASE FILLER AND DRAIN SCREW
35	76063A1		1	SHAFT ASSEMBLY, SHIFT - LOWER
36	53-29641		1	CLIP, RETAINING - SHIFT SHAFT
37	25-25439	■	1	"O" RING, SHIFT SHAFT BUSHING
38	23-77631A2		1	BUSHING ASSEMBLY, SHIFT SHAFT
39	26-76384		1	OIL SEAL, SHIFT SHAFT BUSHING
41	12-77674		1	WASHER, RUBBER - SHIFT SHAFT BUSHING
42	78036		1	BASE, REVERSE LOCKING
43	39021		1	CAM, REVERSE LOCKING
44	45-77394A1		1	DRIVE SHAFT ASSEMBLY (SHORT SHAFT) UNITED STATES 5174088 AND BELOW AUSTRALIA 8052649 AND BELOW BELGIUM 9214055 AND BELOW CANADA 7123912 AND BELOW
	45-77393A1		1	DRIVE SHAFT ASSEMBLY (LONG SHAFT) UNITED STATES 5174088 AND BELOW AUSTRALIA 8052649 AND BELOW BELGIUM 9214055 AND BELOW CANADA 7123912 AND BELOW
	45-77390A2		1	DRIVE SHAFT ASSEMBLY (SHORT SHAFT) UNITED STATES 5174088 AND BELOW AUSTRALIA 8052649 AND BELOW BELGIUM 9214055 AND BELOW CANADA 7123912 AND BELOW
	45-77389A2		1	DRIVE SHAFT ASSEMBLY (LONG SHAFT) UNITED STATES 5174088 AND BELOW AUSTRALIA 8052649 AND BELOW BELGIUM 9214055 AND BELOW CANADA 7123912 AND BELOW
45	24-20254		1	SPRING, COMPRESSION - DRIVE SHAFT
46	17-30545		1	PIN, DRIVE SHAFT
47	23-60242		1	SLEEVE, LUBRICATION - DRIVE SHAFT
48	15-77418A1		AR	SHIM, BEARING TO GEAR HOUSING (.002-3-5-10-20)
49	31-77420A1		1	ROLLER BEARING ASSEMBLY, TAPERED - DRIVE SHAFT
49A	78653A1		1	SEAT ASSEMBLY, DRIVE SHAFT <b>SPLINED NYLON SEAL SEAT ON DRIVE SHAFT.</b>
49B	86304	■	1	SEAL, SPLINED - DRIVE SHAFT <b>SPLINED NYLON SEAL SEAT ON DRIVE SHAFT.</b>
-	<b>46-77177A3</b>		-	<b>WATER PUMP KIT</b>
-	<b>26-79831A1</b>		-	<b>SEAL KIT</b>

■ = COMPONENT OF A-[27-78028A78]

# GEAR HOUSING ASSEMBLY, COMPLETE (PAGE 2 OF 2)



SEE **C8** FOR DRIVE SHAFT  
AND COMPONENT PARTS

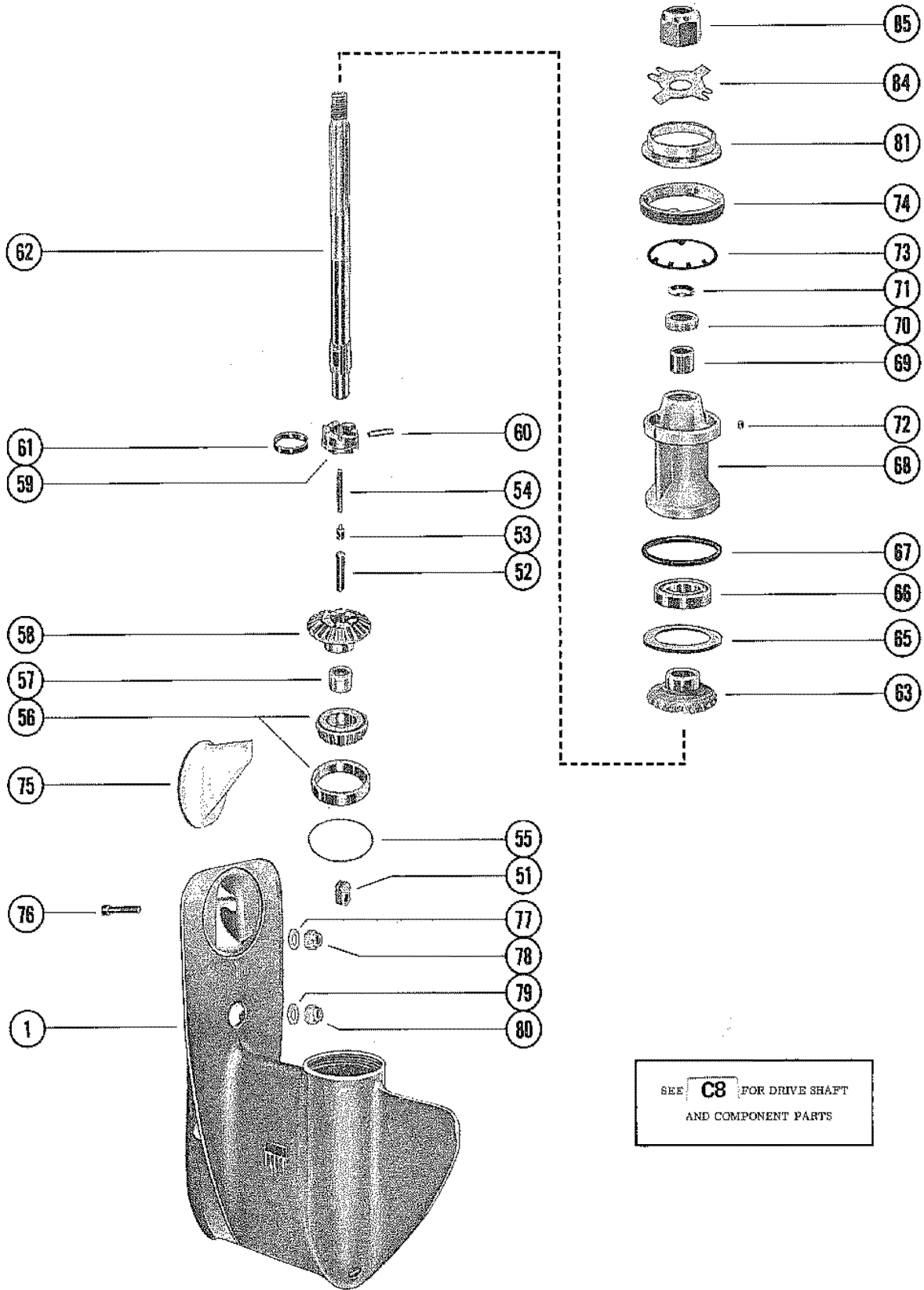
# GEAR HOUSING ASSEMBLY, COMPLETE (PAGE 2 OF 2)

REF. NO.	PART NO.	SYM.	QTY.	DESCRIPTION
-	1643-6459A10	●	1	GEAR HOUSING ASS'Y, COMP. (SHORT SHAFT): SERIAL GROUP #1
-	1643-6459A11	●	1	GEAR HOUSING ASS'Y, COMP. (LONG SHAFT): SERIAL GROUP #1
-	1643-7406A14	●	1	GEAR HOUSING ASS'Y, COMP. (SHORT SHAFT): SERIAL GROUP #2
-	1643-7406A15	●	1	GEAR HOUSING ASS'Y, COMP. (LONG SHAFT): SERIAL GROUP #2
1	1643-6459A3		1	GEAR HOUSING ASS'Y SEE GEAR HOUSING ASSEMBLY, COMPLETE FOR BREAKDOWN SERIAL GROUP #1
	1643-7406A16		1	GEAR HOUSING ASS'Y SEE GEAR HOUSING ASSEMBLY, COMPLETE FOR BREAKDOWN SERIAL GROUP #2
51	54346		1	CAM, SHIFT SERIAL GROUP #1
	76039		1	CAM, SHIFT SERIAL GROUP #2
52	38441		1	FOLLOWER, CA
53	20843		1	SLIDE, CROSS PIN
54	24-39845		1	SPRING, COMPRESSION - CAM FOLLOWER
55	15-38374A1		AR	SHIM, BEARING CUP TO GEAR HOUSING (.002-3-5-10)
56	31-38356A1		1	TAPERED ROLLER BEARING ASSEMBLY
57	13-21739		1	BEARING, ROLLER - FORWARD GEAR
58	43-55608		1	FORWARD GEAR ASSEMBLY
59	52-47586		1	RATCHET, SLIDING CLUTCH
60	17-38113		1	PIN, CROSS - RATCHET TO PROPELLER SHAFT
61	24-38114		1	SPRING, RETAINING - CROSS PIN
62	44-75365		1	SHAFT, PROPELLER
63	43-79158A1		1	REVERSE GEAR ASSEMBLY
65	12-32004		1	WASHER, THRUST - REVERSE GEAR
66	30-20839		1	BEARING, BALL - REVERSE GEAR
67	25-31986		1	"O" RING, BEARING CARRIER
68	69386A1		1	BEARING CARRIER ASSEMBLY
69	31-21700		1	BEARING, ROLLER - BEARING CARRIER
70	26-69188		1	OIL SEAL, BEARING CARRIER
71	26-69189		1	OIL SEAL, BEARING CARRIER
72	28-30281		1	KEY, LOCATING - BEARING CARRIER
73	14-53012		1	TAB WASHER, GEAR HOUSING COVER
74	53013		1	COVER, GEAR HOUSING
75	31640A1		1	TRIM TAB ASSEMBLY, GEAR HOUSING
76	10-66024		1	SCREW, TRIM TAB TO GEAR HOUSING
77	12-45175		1	WASHER, DRIVE SHAFT HOUSING STUD (3/8")
78	11-34863		1	NUT, DRIVE SHAFT HOUSING STUD (3/8")

● = ENCLOSED GEAR HOUSINGS INCLUDE ALL PARTS FROM REF. #1 - #76 AS ON GEAR HOUSING ASS'Y, COM

CONTINUED ON NEXT PAGE ➡

# GEAR HOUSING ASSEMBLY, COMPLETE (PAGE 2 OF 2)



SEE **C8** FOR DRIVE SHAFT  
AND COMPONENT PARTS

## GEAR HOUSING ASSEMBLY, COMPLETE (PAGE 2 OF 2)

REF. NO.	PART NO.	SYM.	QTY.	DESCRIPTION
79	12-65791		1	WASHER DRIVE SHAFT HOUSING TO GEAR HOUSING STUD (7/16")
80	11-34933		1	NUT DRIVE SHAFT HOUSING TO GEAR HOUSING STUD (7/16")
81	73345		1	THRUST HUB, FRONT
84	14-76281		1	TAB WASHER, PROPELLER
85	11-69578		1	NUT, PROPELLER

# PARTS INDEX

Part Number	Description	Pg.	Ref. No.	Part Number	Description	Pg.	Ref. No.
20843	SLIDE, CROSS PIN . . . . .	49	53	39519	CUP, RETAINER - ANCHOR		
22789	"C" WASHER, LEAD WIRE CLAMP . . . . .	19	43	39522	BRACKET, THROTTLE CONTROL SHAFT . . . . .	23	18
22789	"D" WASHER, CLIP SCREW	31	26			21	5
22833	ADAPTOR, CHECK UNIT (FUEL PUMP) . . . . .	25	19	39555A1	COVER PLATE ASSEMBLY .	35	18
23004	RETAINER, CHECK VALVE .	25	6	39556	PAD, SOUND - COVER PLATE . . . . .	35	19
23069	STEM, CHECK UNIT ADAPTOR . . . . .	25	20	39616	BOOT, CONTROL CABLE - BOTTOM COWL . . . . .	35	17
24929	PACKING, "U" CUP - UPPER MOUNT COVERS . . . . .	37	26	39618	LEVER, NYLON - SHIFT CABLE LOCKING . . . . .	23	19
24935	COVER, UPPER MOUNT - OUTSIDE HALF . . . . .	37	24	39622	SEAL, RUBBER . . . . .	35	5
25067	BUMPER, LOWER MOUNT (T 1/2") . . . . .	37	32	39667	COVER, NYLON - SHIFT CABLE . . . . .	23	21
25661	SOLENOID, STARTER . . . . .	17	33	39840	RETAINER, WAVE WASHER	7	30
26852	CAP, NYLON - ADJUSTING SCREW . . . . .	21	4	46265	BOOT, RUBBER - STARTER SOLENOID TERMINAL . . .	19	41
26852	CAP, NYLON - ADJUSTING SCREW . . . . .	21	8	46785A1	COWL LATCH ASSEMBLY . .	9	4
26852	CAP, NYLON - ADJUSTING SCREW . . . . .	27	33	46933A2	GROUND STRAP . . . . .	37	16
29359	LUBRICAP, SWIVEL BRACKET GREASE FITTING . . . . .	41	35	46933A3	GROUND STRAP, POWERHEAD TO . . . . .	29	38
30188	CUP WASHER, ADAPTOR . .	25	23	47341A1	STARTER ROPE ASSEMBLY	7	38
30413	HOOK, COWL LATCH FASTENING . . . . .	9	5	47912A2	LEVER ASSEMBLY, TILT STOP - STARBOARD SIDE	41	31
30596	PAWL, STARTER . . . . .	7	27	47913A2	LEVER ASSEMBLY, TILT LOCK - PORT SIDE . . . . .	43	39
30711	BUMPER, STEERING ARM .	41	13	47969	KNOB AND SHAFT, CHOKE	11	1
31014	MOUNT, RUBBER - FRONT SUPPORT BRACKET . . . . .	5	19	48472	COVER, PLUG - BOTTOM COWL HARNESS HOLE . .	35	2
31120	COVER, UPPER MOUNT - INSIDE HALF . . . . .	37	25	48753	INSERT, WATER PUMP BODY . . . . .	45	25
31640A1	TRIM TAB ASSEMBLY, GEAR HOUSING . . . . .	49	75	52737	LEVER, COWL LATCH . . . . .	5	35
32107	GROUND WIRE . . . . .	17	31	52739	HINGE, COWL LATCH LEVER . . . . .	5	36
34228	SUPPORT, EXTERNAL WIRING HARNESS . . . . .	17	16	52907	INSULATOR, SUPPORT TO BOTTOM COWL . . . . .	17	18
35474	COVER, LOWER MOUNT CLAMP . . . . .	39	42	53013	COVER, GEAR HOUSING . .	49	74
37637	BOOT, FUEL CONNECTOR - BOTTOM COWL . . . . .	35	16	53078	CAP, PLASTIC - TILT TUBE .	41	25
37721	SEAL, EXHAUST TUBE . . . .	45	10	54293A5	CHOKE SOLENOID ASSEMBLY . . . . .	17	6
38071	PLATE, SUPPORT - EXHAUST TUBE . . . . .	45	9	54346	CAM, SHIFT . . . . .	49	51
38441	FOLLOWER, CA . . . . .	49	52	54705	PLATE, FACE . . . . .	45	20
38500	RETAINER, WATER OUTLET TUBE SEAL . . . . .	35	10	55157	COVER, EXHAUST MANIFOLD . . . . .	27	29
38938	BOOT, RUBBER - STARTER SOLENOID TERMINAL . . .	17	38	55179	SHUTTER, CHOKE - CARBURETOR . . . . .	11	7
39021	CAM, REVERSE LOCKING .	47	43	55180	LEVER, CHOKE . . . . .	11	4
39483	LATCH, THROTTLE CONTROL LEVER . . . . .	21	28	55187	LEVER, THROTTLE CONTROL . . . . .	21	21
39501	MOUNT, RUBBER - FRONT SUPPORT BRACKET . . . . .	5	26	55190	PLATE, DIVIDER - EXHAUST MANIFOLD . . . . .	27	27
39501	MOUNT, RUBBER - REAR SUPPORT BRACKET . . . . .	5	13	55278A1	DIAPHRAGM KIT . . . . .	25	3
39515	END CAP, NYLON - ANCHOR BRACKET SLIDE . . . . .	23	10	55455	HOOK, TOP COWL LATCH - REAR . . . . .	5	29
				55860	PULLEY, STARTER SCREW	7	15
				56074A2	PLUNGER ASSEMBLY, CHOKE SOLENOID . . . . .	17	11
				56193	LATCH, SHIFT ACTUATING SLIDE (SHIFT CABLE) . . .	23	6

# PARTS INDEX

Part Number	Description	Pg.	Ref. No.	Part Number	Description	Pg.	Ref. No.
56466	CABLE, STARTER MOTOR TO STARTER SOLENOID	17	30	66848	RETAINER, SPRING	7	35
57440	SWIVEL, UPPER LINK ROD	21	20	66849	CLAMP, TELL TALE HOSE AND NOZZLE	25	11
58124A17	SWITCH ASSEMBLY, MERCURY	31	22	66850	THERMOSTAT	31	13
59071	COVER, FUEL INLET	25	33	69386A1	BEARING CARRIER ASSEMBLY	49	68
59720	ROD, PUSH - REVERSE LOCK (LONG SHAFT)	39	47	69543	TUBE, EXHAUST (SHORT SHAFT)	37	14
59721	ROD, PUSH REVERSE LOCK (SHORT SHAFT)	39	47	69544	TUBE, EXHAUST (LONG SHAFT)	37	14
59722	ROD END, PUSH ROD	39	49	69592	CLAMP, LOWER MOUNT TO DRIVE SHAFT HOUSING	39	39
60577	MOUNT, RUBBER - REAR SUPPORT BRACKET	5	8	69791A2	HOSE AND NOZZLE, TELL TALE	25	10
60769	COVER, TRIM - DRIVE SHAFT HOUSING	37	10	70690	REVERSE LOCK ASSEMBLY	41	28
60834A3	CARRIER ASSEMBLY, SEAL	33	12	70929	BASE, FUEL PUMP	25	29
61002	RETAINER, STARTER REWIND	7	23	72014A2	PLATE ASSEMBLY, EXHAUST EXTENSION	35	6
61003	SHAFT, SHEAVE	7	37	73345	THRUST HUB, FRONT	51	81
61830	STATOR SUPPORT	15	12	73537	INSERT, ROPE GUIDE	5	2
61831	LEVER, SPARK ADVANCE	21	26	74316A7	SWIVEL PIN ASSEMBLY (LONG SHAFT)	41	12
61939	PIVOT, TREADED - TRIGGER PLATE TO LINK ROD	21	36	74316A8	SWIVEL PIN ASSEMBLY (SHORT SHAFT)	41	12
61940	LINK ROD	21	35	74371	LEVER, THROTTLE	13	17
61990	STA-STRAP, STATOR LEADS	15	38	74528	TUBE, TILT - CLAMP BRACKET TO SWIVEL BRACKET	41	9
62064	BRACKET, STARTER MOTOR	27	16	75043	CAP, THUMB SCREW	41	3
62171	BALL JOINT, THROTTLE CAM	21	15	75104A7	SHIFT SHAFT ASSEMBLY (SHORT SHAFT)	23	14
62173	ROD, LINK - UPPER	21	19	75104A8	SHIFT SHAFT ASSEMBLY (LONG SHAFT)	23	14
62174	TURNBUCKLE, SPARK ADVANCE LINKAGE	21	17	75301	MOUNT, RUBBER - UPPER	37	28
62236	SHEILD, REAR - TOP COWL	5	4	75302	MOUNT, RUBBER - LOWER	37	36
62297	BUMPER, STEERING ARM	41	15	75713	SLIDE, SHIFT ACTUATING	23	5
62351A1	RECTIFIER ASSEMBLY	17	1	75715	BRACKET, SHIFT ANCHOR - LOWER	23	11
62459	BALL JOINT, SPARK ADVANCE LEVER	21	32	75716	BRACKET, SHIFT ANCHOR - UPPER	23	1
62973A4	FUEL PUMP ASSEMBLY	25	1	75717	SLIDE, NYLON - ANCHOR BRACKET	23	9
63123	THROTTLE CAM ACTUATOR	21	1	75973	PLATE, HINGE	5	32
63850	SCREEN, WATER INTAKE - STARBOARD	45	6	76039	CAM, SHIFT	49	51
63851	SCREEN, WATER INTAKE - PORT	45	6	76053A1	STARTER SHEAVE ASSEMBLY	7	26
63970	COVER, TRANSFER PORT	29	40	76063A1	SHAFT ASSEMBLY, SHIFT - LOWER	47	35
64069A1	RETAINER ASSEMBLY, BALL BEARING	33	2	76080A1	HOUSING, STARTER	7	20
64254	SEAL, CARRIER	33	13	76132	BRACKET, SUPPORT - TOP COWL (REAR)	5	7
64877	DIAPHRAGM, POPPET VALVE	31	8	76133	BRACKET, SUPPORT - TOP COWL (FRONT)	5	18
65409	POPPET, RELIEF VALVE	31	15	76141	CALBE ASSEMBLY, INTERLOCK	7	4
65799	LINK, LOCKING LEVER TO COVER	23	22	76176	LEVER, FRONT COVER	35	23
65848	CARRIER, POPPET VALVE	31	17	76184	INDICATOR, TIMING	31	27
66517	RESTRICTOR, CYLINDER BLOCK (BLEED)	27	12	76254	COVER, IGNITION COIL	15	25
66843	BRACKET, COIL MOUNTING	31	2	76259	BLANKET, SOUND ABSORBING	9	6
66844	COVER, DIAPHRAGM	31	3				
66845	PLATE, RETAINER - STARTER PAWL	7	33				

# PARTS INDEX

Part Number	Description	Pg.	Ref. No.	Part Number	Description	Pg.	Ref. No.
76450	BLANKET, COWL FRONT COVER	9	2	10-29256	SCREW, LOWER MOUNT CLAMP	39	40
76533	STRAP, BRACKET SCREW	41	20	10-29722	SCREW, COVER TO LOWER CLAMP (5/8")	39	43
76535	BRACKET, RIDE-GUIDE ATTACHING	41	16	10-31984	SCREW, COIL MOUNTING BRACKET TO BLOCK	31	4
77416	YOKE, BOTTOM	43	37	10-32228	SCREW, CABLE TO EXHAUST PLATE (5/8")	7	5
77859	GUIDE, STARTER ROPE	5	2	10-32228	SCREW, HINGE PLATE (5/8")	5	33
77860	RING, RETAINING - GUIDE	5	3	10-32417	SCREW, FLEXIBLE PLATE TO FLYWHEEL (9/16")	15	5
77997A1	RETAINER, STARTER ROPE	7	39	10-33986	SCREW, UPPER MOUNT TO STEERING ARM	41	14
77998	HANDLE, STARTER ROPE	7	40	10-34352	SCREW, BRACKET TO STEERING ARM (7/8")	41	19
78036	BASE, REVERSE LOCKING	47	42	10-35213	SCREW, STARTER MOTOR TO CRANKCASE (1 5/8")	17	27
78653A1	SEAT ASSEMBLY, DRIVE SHAFT	47	49A	10-35385	SCREW, BRACKET TO CRANKCASE	23	3
78826A1	SWIVEL PIN ASSEMBLY (SHORT SHAFT)	41	12	10-36070	SCREW	45	7
78826A2	SWIVEL PIN ASSEMBLY (LONG SHAFT)	41	12	10-37370	SCREW, COVER TO FUEL PUMP (5/8")	25	35
79371	ACTUATOR, INTERLOCK	7	10	10-37562	SCREW	5	24
79470A1	RETAINER ASSEMBLY, STARTER ROPE	7	39&40	10-37562	SCREW, STARTER HOUSING TO CRANKCASE (1")	7	21
79614A1	PLATE ASSEMBLY, EXHUAST EXTENSION	35	6	10-37562	SCREW, REAR SUPPORT BRACKET TO BOTTOM COWL	5	16
79660	SEAL, BELLOWS - UPPER MOUNT	37	26	10-38398	SCREW, RATCHET TO FLYWHEEL (7/8")	15	7
79680	COVER, UPPER MOUNT - OUTSIDE HALF	37	24	10-39620	SPRING, COMPRESSION - LATCH SCREW	23	8
79681	COVER, UPPER MOUNT - INSIDE HALF	37	25	10-45210	SCREW, PULLEY TO STARTER HOUSING (1 1/4")	7	16
79799	HOUSING, WATER INLET TUBE SEAL	35	12	10-45218	SCREW, TERMINAL BLOCK AND SWITCH BOX (3/8")	15	34
85188	CAM, INTERLOCK	7	7	10-45775	SCREW, MAIN BEARING CLAMPING (9/16")	33	7
86304	SEAL, SPLINED - DRIVE SHAFT	47	49B	10-48408	SCREW, GROUND STRAP ATTACHING (1/2")	37	17
86599	GUIDE, PUSH ROD	39	46	10-48409	SCREW, CLAMP TO BOTTOM COWL	25	39
10-20012	SCREW, UPPER BRACKET TO LOWER BRACKET	23	12	10-48409	SCREW, MERCURY SWITCH TO EXHAUST COVER	31	23
10-20055	SCREW, REED STOP MOUNTING (3/8")	33	11	10-49318	SCREW, LOWER MOUNT (5 1/2")	37	33
10-20639	SCREW, THROTTLE CONTROL BRACKET (1 1/8")	21	9	10-52195	SCREW, FLOAT BOWL COVER	13	13
10-20646	SCREW, REAR SHIEL TO TOP COWL (5/8")	5	5	10-52447	SCREW, ANCHOR BRACKET TO CYLINDER BLOCK	23	2
10-20646	SCREW, TERMINAL BLOCK ATTACHING	15	36	10-54803	SCREW, CONNECTING ROD	33	15
10-20847	SCREW, THROTTLE STOP LEVER	13	18	10-55337	SCREW	21	22
10-21339	SCREW, STARTER MOTOR BRACKET TO BLOCK	27	17	10-56500	SCREW, ADAPTOR TO BOTTOM COWL (1 1/4")	25	24
10-22486	SCREW, LATCH TO THROTTLE CONTROL LEVER	21	29	10-56787	SCREW, STATOR TO UPPER END CAP (2")	15	10
10-22956	SCREW, REAR HOOK TO TOP COWL (7/8")	5	30	10-57807	SCREW, TRIM COVER TO DRIVE SHAFT HOUSING	37	11
10-25299	SCREW	17	7				
10-25299	SCREW, INDICATOR ATTACHING (3/4")	31	28				
10-25764	SCREW, RECTIFIER TO FRONT SUPPORT BRACKET	17	2				



# PARTS INDEX

Part Number	Description	Pg.	Ref. No.	Part Number	Description	Pg.	Ref. No.
10-58185	SCREW, SCREEN TO CARBURETOR (1")	11	12	10-69093	SCREW, FUEL PUMP MOUNTING (1 1/2")	25	8
10-58414	SCREW, COVER AND COIL BRACKET TO BLOCK	31	6	10-69099	SCREW, MANIFOLD COVER TO CYLINDER BLOCK	27	30
10-60194	SCREW, COIL COVER TO COIL BRACKET (2 1/8")	15	26	10-69100	SCREW, TRANSFER PORT COVER MOUNTING (1")	29	43
10-61802	SCREW, PLUG COVER TO BOTTOM COWL (7/8")	35	3	10-69570	SCREW	31	10
10-62568	SCREW, CLAMP ATTACHING (3/8")	19	44	10-71913	SCREW, BASE TO TRANSFER PORT COVER	25	30
10-62568	SCREW, MERCURY SWITCH CLIP (3/8")	31	25	10-73657	SCREW, ANCHOR BRACKET TO CYLINDER BLOCK	23	2
10-63102	SCREW, ADJUSTING - THROTTLE CAM	21	2	10-73657	SCREW, CRANKCASE TO CYLINDER BLOCK (1 1/2")	27	19
10-63327	SCREW, STARTER BRACKET AND COVER TO BLOCK	31	5	10-74035	SCREW RETAINER TO EXHAUST PLATE (3/4")	35	11
10-63328	SCREW, CRANKCASE TO CYLINDER BLOCK (3")	27	19	10-74824	SCREW, CRANKCASE TO CYLINDER BLOCK (1 1/4")	27	19
10-63365	SCREW	27	25	10-76137	SCREW, INTERLOCK ACTUATOR ATTACHING (1 5/8")	7	11
10-64021	SCREW, ADJUSTING - EXHAUST COVER (1 7/8")	27	31	10-76138	SCREW, INTERLOCK CAM ATTACHING (1 1/8")	7	8
10-64021	SCREW, ADJUSTING - THROTTLE CONTROL BRACKET	21	6	10-76213	SCREW, CYLINDER BLOCK COVER MOUNTING	27	36
10-66024	SCREW, TRIM TAB TO GEAR HOUSING	49	76	10-78492A1	THUMB SCREW ASSEMBLY	41	2
10-67916	SCREW, UPPER MOUNT COVER - REAR (2")	37	29	10-78495	SCREW, WASHER TO THUMB SCREW	41	2A
10-67917	SCREW, SUPPORT TO BOTTOM COWL (5/8")	17	17	10-79798	SCREW, HOUSING TO EXHAUST PLATE (1 3/8")	35	14
10-68298	BOLT, CLAMP BRACKET TO BOAT TRANSOM	41	22	10-79953	SCREW, GREASE FILLER	47	31
10-68299	BOLT, CLAMP BRACKET TO BOAT TRANSOM	41	22	11-20013	NUT, JAM - BALL JOINT TO TURNBUCKLE	21	16
10-68789	SCREW, RETAINER TO HOUSING	25	7	11-20083	NUT, STARTER SOLENOID TERMINAL (5/16")	19	40
10-69002	SCREW, COIL COVER TO COIL BRACKET (1 3/4")	15	26	11-20110	NUT, CHOKE SHUTTER TO CARBURETOR STUD	11	10
10-69013	SCREW	17	24	11-20110	NUT, SCREEN SCREW	11	15
10-69014	SCREW, COVER PLATE TO BOTTOM COWL	35	20	11-20166	NUT, SHEAVE SHAFT (LEFT HAND THREAD)	7	2
10-69022	SCREW, CABLE TO STARTER HOUSING (1/2")	7	6	11-20190	NUT, TERMINAL BLOCK ATTACHING SCREWS	15	37
10-69028	SCREW, STARTER SOLENOID TO FRONT	17	34	11-20586	NUT, LATCH SCREW	21	31
10-69029	SCREW, UPPER MOUNT COVER - FRONT (1 3/4")	37	30	11-20754	NUT, JAM - UPPER LINK ROD TO TURNBUCKLE	21	18
10-69034	SCREW, UPPER END CAP MOUNTING (1")	27	5	11-20856	NUT, UPPER ANCHOR BRACKET SCREW	23	13
10-69035	SCREW, GROUND WIRE TO STARTER MOTOR (5/8")	17	32	11-20890	NUT, CABLE TO STARTER MOTOR	17	29
10-69047	SCREW	21	11	11-22339	NUT, FLYWHEEL	15	1
10-69052	SCREW	17	20	11-23161	NUT, UPPER MOUNT BOLT	37	20
10-69067	SCREW, SWITCH BOX AND "J" CLIP TO BRACKET	15	33	11-24656	NUT, PULLEY SCREW	7	19
10-69087	SCREW, TILT LOCK AND STOP LEVER TO SWIVEL BRACKET	43	40	11-25096	NUT, LOWER MOUNT SCREW	37	38
				11-28770	NUT, CLAMP BRACKET STUD	41	8
				11-28770	NUT, JAM - PUSH ROD	39	48
				11-34863	NUT, DRIVE SHAFT HOUSING STUD (3/8")	49	78
				11-34933	NUT	39	45
				11-34933	NUT	51	80

# PARTS INDEX

Part Number	Description	Pg.	Ref. No.	Part Number	Description	Pg.	Ref. No.
11-35521	NUT, LOWER MOUNT CLAMP COVER	39	44	11-69844	NUT, STOP SWITCH	35	22
11-35888	NUT, SUPPORT FASTENING SCREW	17	19	11-73231	NUT, RECTIFIER FASTENING SCREW	17	3
11-35888	NUT, WATER PUMP BODY AND BASE STUDS	45	27	12-20084	WASHER, INDICATOR ATTACHING SCREW	31	29
11-36069	NUT, ADAPTOR SCREW	25	25	12-20260	WASHER, GREASE FILLER AND DRAIN SCREW	47	32
11-36069	NUT, RUBBER MOUNT	5	12	12-21631	WASHER, RUBBER MOUNT	5	21
11-36069	NUT, RUBBER MOUNT	5	23	12-21631	WASHER, RUBBER MOUNT	5	10
11-36069	NUT, RUBBER MOUNT TO CRANKCASE (LOWER)	5	27	12-22887	WASHER, PULLEY SCREW	7	17
11-36069	NUT, RUBBER MOUNT TO CYLINDER BLOCK COVER	5	14	12-25176	WASHER, SWIVEL PIN TO BOTTOM YOKE (.060)	41	36
11-36069	NUT, RUBBER MOUNT TO FRONT SUPPORT BRACKET	5	28	12-25893	WASHER	21	12
11-36069	NUT, RUBBER MOUNT TO REAR SUPPORT BRACKET	5	15	12-26014	WASHER, REAR SHIELD SCREW	5	6
11-36069	NUT, UPPER MOUNT COVER SCREW	37	31	12-26014	WASHER, RUBBER MOUNT	5	20
11-45076	NUT, CHOKE SOLENOID TERMINAL	17	10	12-26014	WASHER, RUBBER MOUNT	5	9
11-45076	NUT, COIL TERMINALS	15	23	12-26837	WASHER, SWIVEL PIN TO BOTTOM YOKE (.065)	41	36
11-45076	NUT, RECTIFIER TERMINAL (10-32)	17	5	12-27727	WASHER, UPPER MOUNT BOLT (37/64 ID)	37	23
11-45774	NUT, MAIN BEARING CLAMPING SCREW	33	8	12-28051	WASHER, LOWER MOUNT SCREW	37	34
11-45812	NUT, WATER INTAKE SCREEN SCREW	45	8	12-28053	WASHER, RUBBER - LOWER MOUNT SCREW	37	35
11-46438	NUT, BALL JOINT TO SPARK ADVANCE LEVER	21	33	12-29245	WASHER, UPPER MOUNT COVER SCREW	37	30A
11-46793	NUT	21	14	12-29245	WASHER, WATER PUMP BODY AND BASE STUDS	45	26
11-46793	NUT, STARTER MOTOR BRACKET SCREW	27	18	12-30119	WASHER, LOWER MOUNT SCREW	37	37
11-46793	NUT, THROTTLE CONTROL BRACKET SCREW	21	10	12-30191	WSHER, INTERLOCK CABLE	7	13
11-46793	NUT, TILT LOCK AND STOP LEVER SCREW	43	41	12-30314	WASHER, CHOKE SHAFT	11	2
11-46793	NUT, TILT LOCK AND STOP LEVER TO CLAMP BRACKET	43	45	12-30519	WASHER, UPPER MOUNT BOLT (3/8 ID)	37	21
11-49091	NUT, CONNECTING ROD SCREW	33	16	12-32004	WASHER, THRUST - REVERSE GEAR	49	65
11-55910	NUT, PINION GEAR TO DRIVE SHAFT	45	12	12-36258	WASHER, FLYWHEEL NUT	15	2
11-56041	NUT, TILT TUBE	41	11	12-37998	WASHER, UPPER SHIFT SHAFT	23	16
11-64015	NUT, ADJUSTING SCREW	27	32	12-38453	WASHER, NYLON - WATER OUTLET TUBE	35	8
11-64015	NUT, JAM - ADJUSTING SCREW	21	3	12-38453	WASHER, NYLON - WATER PUMP BODY	45	29
11-64015	NUT, JAM - ADJUSTING SCREW	21	7	12-45175	WASHER, DRIVE SHAFT HOUSING STUD (3/8")	49	77
11-64809	NUT, CARBURETOR MOUNTING STUD	13	35	12-46101	WASHER, SCREEN SCREW	11	14
11-64809	NUT, POWERHEAD STUDS	37	15	12-47247	WASHER, NEEDLE BEARING RETAINING	33	19
11-68219	NUT, STARTER SOLENOID TERMINAL	17	37	12-47960	WASHER, CHOKE SHUTTER CARBURETOR STUD	11	9
11-68411	NUT, CLAMP BRACKET BOLT	41	24	12-52864	WASHER, CLAMP BRACKET TO SWIVEL BRACKET	41	10
11-69578	NUT, PROPELLER	51	85	12-52865	WASHER, SWIVEL PIN	41	21
				12-56720	WASHER, SWIVEL PIN TO STOP LEVER	43	44
				12-57837	WASHER, WAVE - RETAINER TENSION	7	32
				12-57837	WASHER, WAVE WASHER RETAINER	7	31

# PARTS INDEX

Part Number	Description	Pg.	Ref. No.	Part Number	Description	Pg.	Ref. No.
12-57860	WASHER, SHEAVE SHAFT	7	36	13-26996	LOCKWASHER, STATOR		
12-61982	WASHER, TRIGGER TO STATOR SUPPORT (LOWER)	15	15	13-34632	SCREW	15	11
12-62133	WASHER, TRIGGER TO STATOR SUPPORT	15	13	13-36206	WASHER, WAVE - TILT LOCK AND STOP LEVER	43	43
12-65791	WASHER	51	79	13-37562	WASHER, WAVE - STARTER PAWL	7	28
12-65791	WASHER, DRIVE SHAFT HOUSING TO GEAR HOUSING STUDS	37	9	13-61983	LOCKWASHER, STARTER HOUSING SCREW	7	22
12-66966	WASHER, RUBBER - UPPER MOUNT BOLT	37	22	13-62172	WASHER, WAVE - TRIGGER TO STATOR SUPPORT	15	14
12-68300	WASHER, CLAMP BRACKET BOLT	41	23	13-69432	WAVE WASHER	21	13
12-68410	WASHER, CLAMP BRACKET BOLT	41	23	14-53012	LOCKWASHER, GROUND STRAP SCREW	37	18
12-68410	WASHER, THROTTLE CONTROL LEVER SCREW	21	27	14-61004	TAB WASHER, GEAR HOUSING COVER	49	73
12-76451	WASHER, DIAPHRAGM	31	9	14-76281	TAB, WASHER, SHEAVE SHAFT NUT	7	1
12-77674	WASHER, RUBBER - SHIFT SHAFT BUSHING	47	41	15-38374A1	TAB WASHER, PROPELLER	51	84
12-78493	WASHER, THUMB SCREW	41	2B	15-77418A1	SHIM, BEARING CUP TO GEAR HOUSING	49	55
13-20202	LOCKWASHER, RATCHET SCREW	15	8	16-33778	SHIM, BEARING TO GEAR HOUSING (.002-3-5-10-20)	47	48
13-21739	BEARING, ROLLER - FORWARD GEAR	49	57	16-57932	STUD, WATER PUMP BODY/BASE TO GEAR HSG.	45	3
13-24669	LOCKWASHER, WIRING HARNESS GROUND SCREW	17	21	16-57933	STUD, DRIVE SHAFT HOUSING TO GEAR HOUSING	37	2
13-26992	LOCKWASHER, REAR HOOK SCREW	5	31	16-57935	STUD, GEAR HOUSING TO DRIVE SHAFT HOUSING	45	4
13-26992	LOCKWASHER, RUBBER MOUNT	5	11	16-59625	STUD, DRIVE SHAFT HOUSING TO GEAR HOUSING	37	3
13-26992	LOCKWASHER, RUBBER MOUNT	5	22	16-68164	STUD, CLAMP BRACKET	41	6
13-26992	WASHER, STARTER SOLENOID SCREW	17	35	16-68165	STUD, CARBURETOR MOUNTING (1 1/4")	27	7
13-26993	LOCKWASHER, CABLE TO STARTER MOTOR NUT	17	28	16-68166	STUD, CRANKCASE TO DRIVE SHAFT HOUSING	27	8
13-26993	LOCKWASHER, CLAMP BRACKET STUD	41	7	16-68167	STUD, CYLINDER BLOCK TO DRIVE SHAFT HOUSING	27	10
13-26993	LOCKWASHER, COIL MOUNTING BRACKET SCREW	31	7	16-68168	STUD, CYLINDER BLOCK TO DRIVE SHAFT HOUSING	27	11
13-26993	LOCKWASHER, FRONT SUPPORT BRACKET SCREW	5	25	16-69016	STUD, CYLINDER BLOCK TO DRIVE SHAFT HOUSING	27	9
13-26993	LOCKWASHER, REAR SUPPORT BRACKET SCREW	5	17	17-20323	STUD, CHOKE SHUTTER PIVOT (CARBURETOR)	11	6
13-26993	LOCKWASHER, STARTER SOLENOID TERMINAL	17	39	17-22032	DOWEL PIN, CYLINDER BLOCK TO MAIN BEARING	27	14
13-26995	LOCKWASHER, FLOAT BOWL COVER SCREW	13	15	17-23784	DOWEL PIN, MAIN BEARING	33	6
13-26996	LOCKWASHER, CHOKE SOLENOID TERMINAL	17	9	17-25598	DOWEL PIN, CRANKCASE TO CYLINDER BLOCK	27	13
13-26996	LOCKWASHER, HINGE PLATE SCREW	5	34	17-26541	ROLL PIN, REVERSE LOCK SPRING ATTACHING	41	27
13-26996	LOCKWASHER, STARTER SOLENOID TERMINAL	17	36	17-29908	ROLL PIN, LEVER TO BOTTOM COWL	35	24
				17-30545	ROLL PIN, INDICATOR LOCATING	31	31
				17-35973	PIN, DRIVE SHAFT	47	46
					DOWEL PIN	45	18

# PARTS INDEX

Part Number	Description	Pg.	Ref. No.	Part Number	Description	Pg.	Ref. No.
17-46912	PIN, DOWEL - GEAR HOUSING	45	2	23-77631A2	BUSHING ASSEMBLY, SHIFT SHAFT	47	38
17-47175	PIN, LOCKING LEVER AND COVER FASTENING	23	20	24-20099	SPRING, COMPRESSION - LATCH SCREW	21	30
17-49930A1	TILT LOCK PIN ASSEMBLY	41	4	24-20254	SPRING, COMPRESSION - DRIVE SHAFT	47	45
17-58998	ROLL PIN, HINGE TO LEVER	5	37	24-23067	SPRING, ADAPTOR STEM	25	22
17-62768	PIN, SPRING RETENTION	15	18	24-28975	SPRING, GARTER - INTERNAL WIRING HARNESS	17	25
17-72524	PIN, REVERSE LOCK LEVER	39	50	24-29821	SPRING, REVERSE LOCK TENSION	41	29
18-25191	COTTER PIN, PUSH ROD TO REVERSE LOCK	39	51	24-35522	SPRING, TENSION - LOWER MOUNT CLAMP	39	41
18-27769	COTTER PIN, INTERLOCK CABLE TO ACTUATOR	7	14	24-38114	SPRING, RETAINING - CROSS PIN	49	61
18-27769	COTTOER PIN, UPPER SHIFT SHAFT	23	17	24-39502A1	SPRING, STARTER REWIND	7	24
18-45882	COTTER PIN, REVERSE LOCK TO SHAFT	41	30	24-39845	SPRING, COMPRESSION - CAM FOLLOWER	49	54
19-35827	PLUG, BOTTOM COWL	17	14	24-47968	SPRING, COMPRESSION - CHOKE SHAFT	11	3
19-64649	PLUG, PLASTIC - WATER PICK-UP HOLES	37	4	24-55162	SPRING, RETURN - SPARK ADVANCE LEVER	21	25
21-30430A3	CHECK VALVE ASSEMBLY	25	2	24-55163	SPRING, TENSION - CHOKE SHUTTER	11	8
21-77207	ELBOW, CYLINDER BLEED (BOTTOM)	31	21	24-57818	SPRING, TENSION - SCREEN SCREW	11	13
21-77560	FITTING, CYLINDER BLEED (TOP)	31	20	24-62095	SPRING, COMPRESSION	15	17
22-29111	FITTING, BLOCK TO FUEL PUMP HOSE	25	14	24-66852	SPRING, COMPRESSION - POPPET RELIEF VALVE	31	16
22-32802	PIPE PLUG, CYLINDER BLOCK	27	15A	24-66853	SPRING, RETAINER TO STARTER SHEAVE	7	34
22-32802	PLUG, PIPE - CYLINDER BLOCK COVER	29	39	24-76139	SPRING, INTERLOCK ACTUATOR SCREW	7	12
22-32802	PLUG, PIPE - FUEL PUMP	25	9	24-76140	SPRING, INTERLOCK CAM SCREW	7	9
22-63187	FITTING, FUEL LINE TO ADAPTOR	25	17	24-76177	SPRING, FRONT COVER LEVER	35	25
22-64704	ELBOW, PUMP OUTLET (90)	25	26	25-20266	"O" RING, WATER PUMP BASE	45	14
22-64704	FITTING, ELBOW - CARBURETOR	25	38	25-20273	RING, RUBBER - CENTRIFUGAL SLINGER (DRIVE SHAFT)	47	30
22-64705	FITTING, FILTER BASE	25	36	25-20415	"O" RING, ADAPTOR STEM	25	21
22-64705	FITTING, PUMP INLET	25	15	25-25439	"O" RING, SHIFT SHAFT BUSHING	47	37
22-67892	SCREW, DRAIN (MAGNETIC)	47	31	25-31986	"O" RING, BEARING CARRIER	49	67
22-74036	FITTING, GREASE - SWIVEL BRACKET	41	34	25-39597	GROMMET, COIL MOUNTING BRACKET	31	11
22-85822A1	CONNECTOR ASSEMBLY, SPEEDOMETER	45	1A	25-39597	GROMMET, STARTER HOUSING	7	3
23-30977	SPACER, PULLEY SCREW	7	18	25-47254	"O" RING, UPPER END CAP	27	2
23-47911	BUSHING, TILT LOCK AND STOP LEVER	43	42	25-47386	"O" RING, COVER TO HOUSING	25	32
23-55164	BUSHING, THROTTLE CONTROL LEVER SCREW	21	23	25-57806	GROMMET, TRIM COVER SCREW	37	12
23-55171	BUSHING, THROTTLE CONTROL LEVER SCREW	21	24	25-64067	"O" RING, LOWER END CAP	27	24
23-59623	SPACER, CLAMP BRACKET STUD	41	5	25-64068	"O" RING, LOWER END CAP SCREW	27	23
23-60242	SLEEVE, LUBRICATION - DRIVE SHAFT	47	47				
23-62769	SPACER, INDICATOR ATTACHING SCREW	31	30				
23-63061	SPACER, SHEAVE SHAFT	7	29				
23-63100	BUSHING, SPRING GUIDE	7	25				
23-71980	BUSHING, FLANGE EXHUAST PLATE	35	7				

# PARTS INDEX

Part Number	Description	Pg.	Ref. No.	Part Number	Description	Pg.	Ref. No.
25-64872	GROMMET, POPPET VALVE	31	18	31-21700	BEARING, ROLLER - BEARING CARRIER	49	69
25-65936	"O" RING, UPPER MOUNT	37	27	31-38356A1	TAPERED ROLLER BEARING ASSEMBLY	49	56
26-23300	OIL SEAL, WATER PUMP BASE	45	17	31-62066	ROLLER BEARING, UPPER END CAP	27	3
26-29476	OIL SEAL, LOWER END CAP	27	22	31-62091	BEARING, ROLLER - DRIVE SHAFT	45	5
26-29476	OIL SEAL, UPPER END CAP	27	4	31-62596A1	BEARING, ASSEMBLY, CRANKPIN	33	17
26-32911	OIL SEAL, SWIVEL BRACKET	41	33	31-77420A1	ROLLER BEARING ASSEMBLY, TAPERED - DRIVE SHAFT	47	49
26-38452	SEAL, RUBBER - WATER INLET TUBE (WATER PUMP BODY)	45	28	32-34395A1	HOSE ASSEMBLY, CYLINDER BLOCK TO FUEL PUMP	25	12
26-38452	SEAL, RUBBER - WATER OUTLET TUBE	35	9	32-37727	TUBE, WATER OUTLET (SHORT SHAFT)	37	13
26-69188	OIL SEAL, BEARING CARRIER	49	70	32-45679	TUBE, WATER OUTLET (LONG SHAFT)	37	13
26-69189	OIL SEAL, BEARING CARRIER	49	71	32-54936	HOSE, CYLINDER BLEED (8")	31	19
26-76384	OIL SEAL, SHIFT SHAFT BUSHING	47	39	32-70432	FUEL LINE, FILTER COVER TO PUMP (6")	25	37
26-79831	OIL SEAL, WATER PUMP BASE	45	16	32-70432	FUEL LINE, FUEL PUMP TO ADAPTOR (12 1/4")	25	18
26-79831A1	SEAL KIT	47	-	32-70432	FUEL LINE, FUEL PUMP TO FILTER COVER (4 1/2")	25	28
27-25848	GASKET, NYLON - FILTER COVER SCREW	25	34	33-57451	SPARK PLUG (AC#V-R0FFM)	15	28
27-32769	GASKET, LOWER	45	19	34-56007A1	REED SET, MAIN BEARING (MATCHED)	33	9
27-32770	GASKET, UPPER	45	21	34-56008	REED STOP, MAIN BEARING REED VALVES	33	10
27-38501	GASKET	35	15	35-57819	SCREEN, CARBURETOR	11	11
27-38501	GASKET, EXHAUST PLATE TO DRIVE SHAFT HOUSING	37	19	35-59072	SCREEN, FILTER - INLET	25	31
27-48164	GASKET, CARBURETOR FLANGE	13	34	37-78591A78	DECAL SET-SERIAL GROUP #1	1	-
27-55158	GASKET, SEALING - CYLINDER BLOCK	27	15	37-86419A79	DECAL SET -SERIAL GROUP #2	1	-
27-55279	GASKET, TRANSFER PORT COVER	29	41	39-78811A12	RING, PISTON (.015 OVERSIZE)	33	22
27-62386	GASKET, THERMOSTAT	31	14	39-78816A12	RING, PISTON	33	22
27-62860	GASKET	35	4	40-52035	LOCK RING, PISTON PIN	33	21
27-66847	GASKET, COIL MOUNTING BRACKET TO BLOCK	31	12	43-55607	GEAR, PINION - DRIVE SHAFT	45	11
27-77417	GASKET, WATER PUMP BASE TO GEAR HOUSING	45	13	43-55608	FORWARD GEAR ASSEMBLY	49	58
27-78027	GASKET, BAFFLE PLATE TO EXHAUST COVER	27	28	43-79158A1	REVERSE GEAR ASSEMBLY	49	63
27-78028	GASKET, CYLINDER BLOCK TO BAFFLE PLATE	27	26	44-75365	SHAFT, PROPELLER	49	62
27-78028A78	GASKET SET	1	-	45-77389A2	DRIVE SHAFT ASSEMBLY (LONG SHAFT)	47	44
27-78029	GASKET, CYLINDER BLOCK COVER	27	35	45-77390A2	DRIVE SHAFT ASSEMBLY (SHORT SHAFT)	47	44
27-79797	GASKET, HOUSING	35	13	45-77393A1	DRIVE SHAFT ASSEMBLY (LONG SHAFT)	47	44
28-30281	KEY, LOCATING - BEARING CARRIER	49	72	45-77394A1	DRIVE SHAFT ASSEMBLY (SHORT SHAFT)	47	44
28-45554	KEY, FLYWHEEL DRIVE	15	3	46-77177A1	WATER PUMP BASE ASSEMBLY	45	15
28-56662	KEY, IMPELLER DRIVE	45	23	46-77177A3	WATER PUMP KIT	47	-
29-47270	BEARING, NEEDLE - PISTON PIN	33	18				
30-20839	BEARING, BALL - REVERSE GEAR	49	66				
30-63742	BALL BEARING, RETAINER (CRANKSHAFT)	33	3				

# PARTS INDEX

Part Number	Description	Pg.	Ref. No.	Part Number	Description	Pg.	Ref. No.
46-77822A1	WATER PUMP BODY ASSEMBLY	45	24	398-5255	STATOR, ALTERNATOR	15	9
47-65959	IMPELLER, WATER PUMP	45	22	398-5256	STATOR, IGNITION (MANUAL)	15	9
50-28985A1	STARTER ROPE ASSEMBLY	7	38	454-6643A2	CRANKSHAFT ASSEMBLY	33	1
50-55601A2	STARTER MOTOR ASSEMBLY	17	26	540-7238A2	MAIN BEARING ASSEMBLY, VALVE TYPE	33	5
50-65213	RATCHET, FLYWHEEL	15	6	622-4850A3	CONNECTING ROD ASSEMBLY	33	14
52-47586	RATCHET, SLIDING CLUTCH	49	59	745-6661A4	PISTON AND PISTON PIN ASSEMBLY	33	20
53-29641	CLIP, RETAINING - SHIFT SHAFT	47	36	745-6696A2	PISTON AND PISTON PIN ASSEMBLY (OVERSIZED)	33	22
53-30428	FASTENER, PLUG TO BOTTOM COWL	17	15	851-6663A3	CYLINDER BLOCK AND CRANKCASE ASSEMBLY	27	6
53-58656	RING, RETAINING - INSERT	5	3	851-6663A3	CYLINDER BLOCK AND CRANKCASE ASSEMBLY	31	1
53-63634	RETAINING RING, BALL BEARING	33	4	1024-6652	COVER, CYLINDER BLOCK	27	34
53-77415	RETIANING RING, BOTTOM YOKE	43	38	1151-4732A1	END CAP ASSEMBLY, UPPER	27	1
54-24871	CLAMP, CHOKE SOLENOID LEAD WIRE	19	42	1152-7267A1	END CAP ASSEMBLY, LOWER	27	21
54-26550	CLIP, MERCURY SWITCH LEAD	31	24	1368-7226A1	CARBURETOR ASSEMBLY	11	5
54-54457	"J" CLIP, COIL HARNESS	29	42	1368-7226A1	CARBURETOR ASSEMBLY	13	1
54-54457	"J" CLIP, SWITCH BOX LEADS	15	32	1395-4540	SCREW, BODY (IDLE TUBE)	13	21
54-54457	"J" CLIP, TRIGGER LEADS TO RUBBER SUPPORT	15	19	1395-4541	SCREW, PLUG - MAIN FUEL JET CHANNEL	13	29
54-68424	CLAMP, FUEL LINE ATTACHING	25	27	1395-4542	SCREW, PLUG - MAIN NOZZLE	13	27
54-76368	CLAMP, WIRING HARNESS ATTACHING	17	23	1395-4543	SCREW, BODY CHANNEL	13	32
84-60466A1	GROUND WIRE	15	24	1395-4555	INLET NEEDLE, SEAT AND GASKET	13	6
84-61393A1	LEAD ASSEMBLY	17	12	1395-4804	SCREW, FLOAT BOWL COVER	13	14
84-63212A2	LED ASSEMBLY, SPARK PLUG (HIGH TENSION)	15	27	1395-4805	SCREEN, FILTER	13	16
84-73826	WIRING HARNESS (INTERNAL)	17	22	1395-4808	GASKET AND PACKING SET (1 PER CARBURETOR)	13	33
85-62453	BOOT, LEAD WIRE	17	13	1395-5353	FLOAT ASSEMBLY	13	2
85-71006A1	PROTECTOR ASSEMBLY, SPARK PLUG	15	29	1395-5680	COVER, FLOAT BOWL	13	10
86-66754	TERMINAL BLOCK, SWITCH BOX LEAD	15	35	1395-5733	JET, BOWL VENT (.092)	13	11
87-69508A5	STOP SWITCH ASSEMBLY	35	21	1395-5734	HOSE, ECONOMIZER	13	12
90-79197	MERC 40 PARTS LIST	1	-	1395-7292	REPAIR PARTS KIT (1PER CARBURETOR)	13	33
93-25234--1	GLUE, ADHESIVE - BLANKET FASTENING	9	--	1399-3515	SCREW, IDLE ADJUSTMENT	13	25
242-4764A15	FLYWHEEL ASSEMBLY (ELECTRIC)	15	4	1399-3519	JET, MAIN FUEL (.080)	13	28
242-4764A16	FLYWHEEL ASSEMBLY (MANUAL)	15	4	1399-3520	JET, MAIN FUEL (.0785) - STANDARD	13	28
242-4764A25	FLYWHEEL ASSEMBLY (ELECTRIC)	15	4	1399-3527	SHAFT, THROTTLE	13	19
242-4764A26	FLYWHEEL ASSEMBLY (MANUAL)	15	4	1399-3528	SHUTTER, THROTTLE	13	22
332-2854	BOOT, LEAD TO IGNITION COIL	15	30	1399-3794	JET, MAIN FUEL (.074)	13	28
332-4911A5	SWITCH BOX ASSEMBLY, COMPLETE	15	31	1399-3796	JET, MAIN FUEL (.076)	13	28
338-4731A6	TRIGGER PLATE ASSEMBLY	15	16	1427-5611A4	CLAMP BRACKET ASSEMBLY	41	1
339-5748A2	IGNITION COIL ASSEMBLY, COMPLETE	15	20	1480-6094A1	SWIVEL BRACKET ASSEMBLY (LONG SHAFT)	41	32
				1481-6095A1	SWIVEL BRACKET ASSEMBLY (SHORT SHAFT)	41	32

# PARTS INDEX

Part Number	Description	Pg.	Ref. No.	Part Number	Description	Pg.	Ref. No.
1564-6582A3	DRIVE SHAFT HOUSING ASSEMBLY (LONG SHAFT) .....	37	1				
1643-6459A10	GEAR HOUSING ASS'Y, COMP. ....	49	-				
1643-6459A10	GEAR HOUSING ASSEMBLY, COMPLETE .....	45	-				
1643-6459A11	GEAR HOUSING ASS'Y, COMP. ....	49	-				
1643-6459A11	GEAR HOUSING ASSEMBLY, COMPELETE .....	45	-				
1643-6459A3	GEAR HOUSING ASS'Y ....	49	1				
1643-6459A3	GEAR HOUSING ASSEMBLY	45	1				
1643-7406A14	GEAR HOUSING ASS'Y, COMP. ....	49	-				
1643-7406A14	GEAR HOUSING ASSEMBLY, COMPLETE .....	45	-				
1643-7406A15	GEAR HOUSING ASS'Y, COMP. ....	49	-				
1643-7406A15	GEAR HOUSING ASSEMBLY, COMPLETE .....	45	-				
1643-7406A16	GEAR HOUSING ASS'Y ....	49	1				
1643-7406A16	GEAR HOUSING ASSEMBLY	45	1				
2137-3878A6	WRAP AROUND COWL ASSEMBLY .....	9	3				
2138-6340A2	TOP COWL ASSEMBLY (MANUAL) .....	5	1				
2138-6341	TOP COWL ASSEMBLY (ELECTRIC) .....	5	1				
2139-6424A1	BOTTOM COWL .....	35	1				
2161-6347A6	COWL FRONT COVER ASSEMBLY .....	9	1				